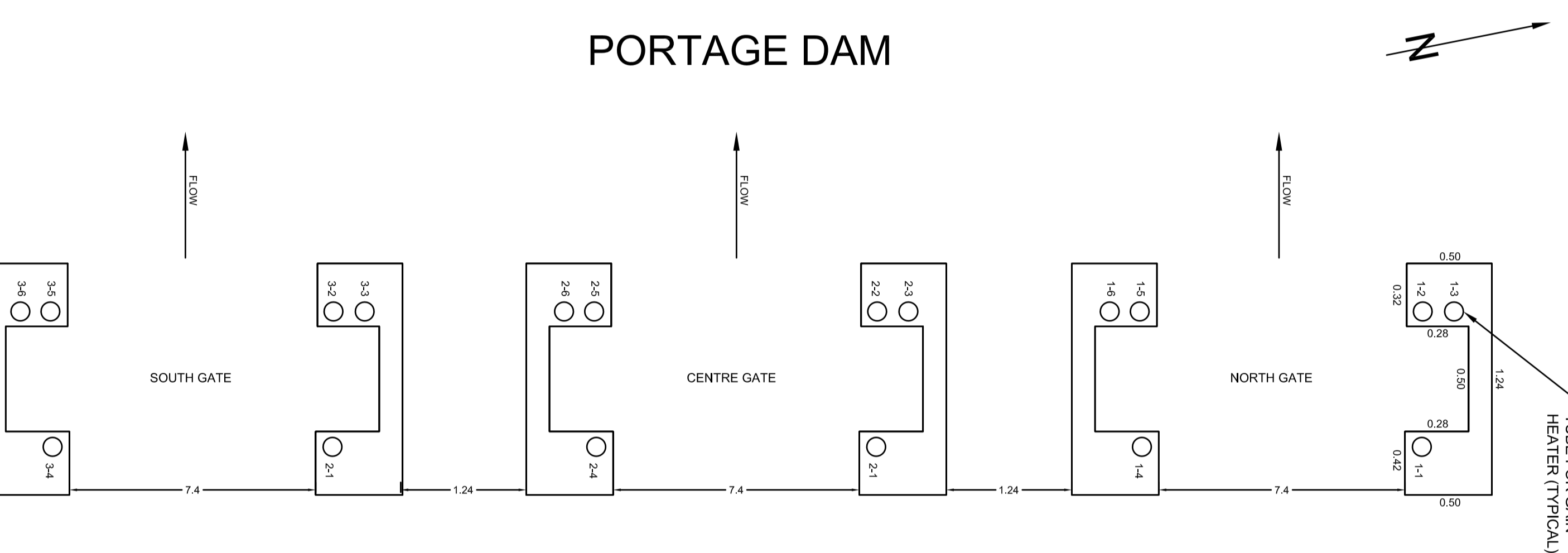
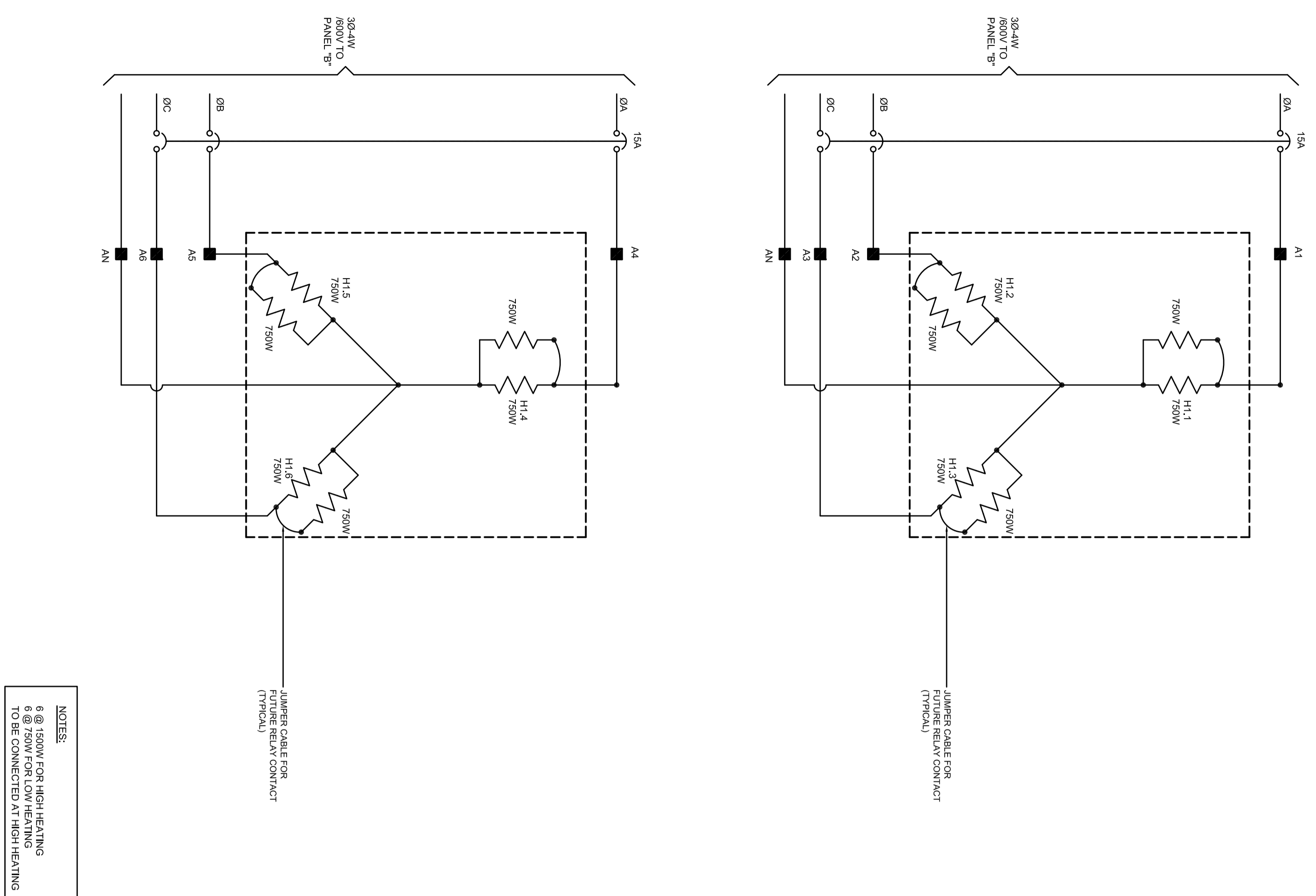
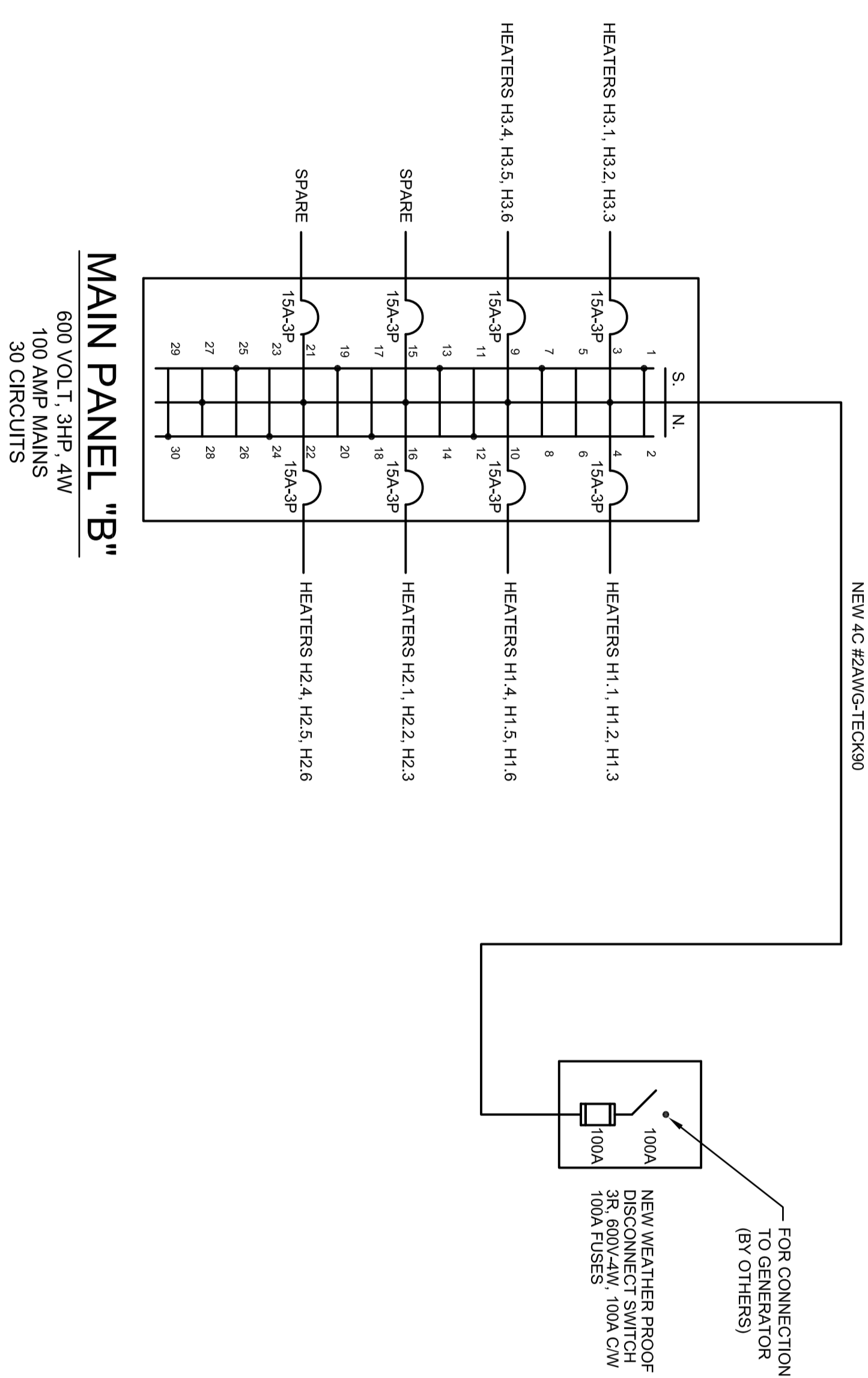
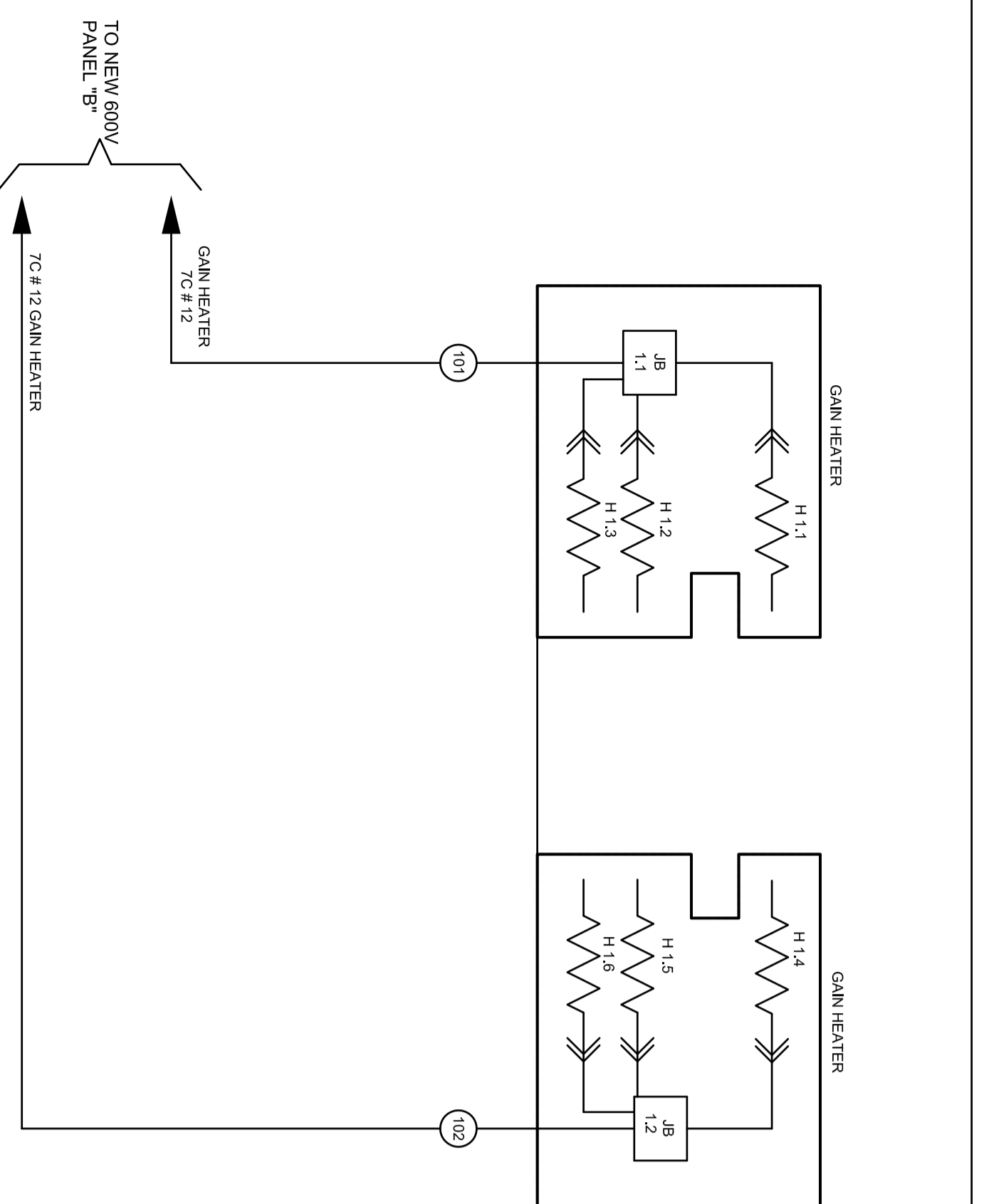


- NOTES:
- 1 CONTRACTOR TO MEASURE ON SITE TO DETERMINE CABLE LENGTHS AND GAINS HEATER LENGTHS.
 - 2 ALL CIRCUIT BREAKER TO BE GFI TYPE.
 - 3 GAINS HEATER RATING BASED ON SIMILAR DESIGN FOR PARK CANADA.
 - 4 WEATHER PROOF JUNCTION BOX TO BE SECURELY ATTACHED TO CONCRETE.
 - 5 USE TERMINAL BLOCKS AT JUNCTION BOX.
 - 6 THREE SPARE CONDUCTORS TO BE TERMINATED AT JUNCTION BOX ON TERMINAL BLOCK.



TUBE IDENT.	Final Measurements Tube Length (metres)	Water Depth (metres)
1-1	6.93	1.60
1-2	6.95	1.75
1-3	7.00	1.80
1-4	6.95	1.95
1-5	6.99	1.90
1-6	6.97	1.95
2-1	7.00	1.90
2-2	7.00	1.95
2-3	7.00	1.90
2-4	6.86	1.85
2-5	7.00	2.00
2-6	6.97	1.95
3-1	7.01	2.15
3-2	7.01	2.20
3-3	7.01	2.15
3-4	6.95	2.20
3-5	6.97	2.20
3-6	6.97	2.25

Measurements by Paul Wyman (Geomatics Services) on May 09/2013. Length of Tube Length: +/- 3 mm. Estimated Accuracy of Water Depth: +/- 10 cm.

