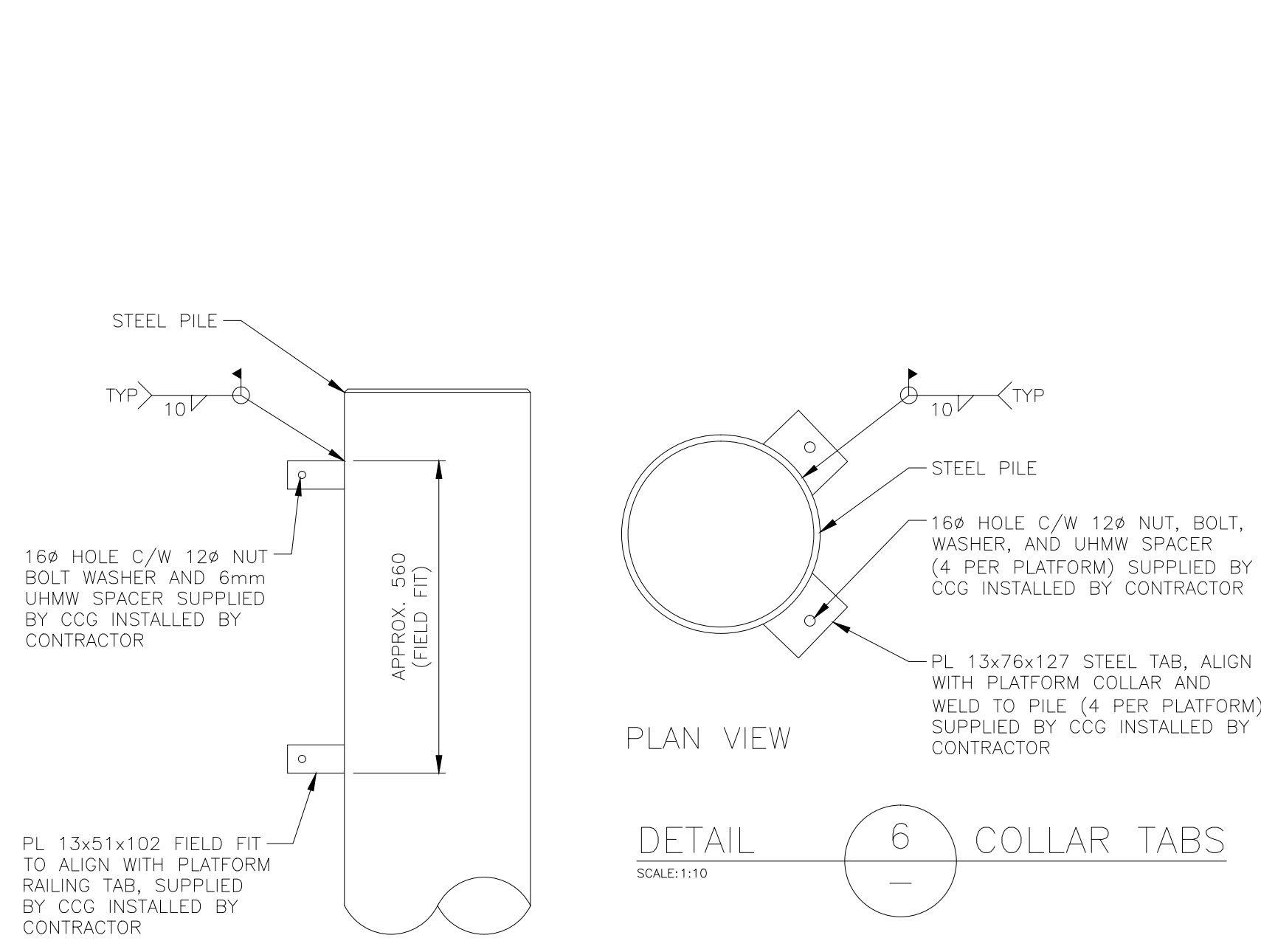
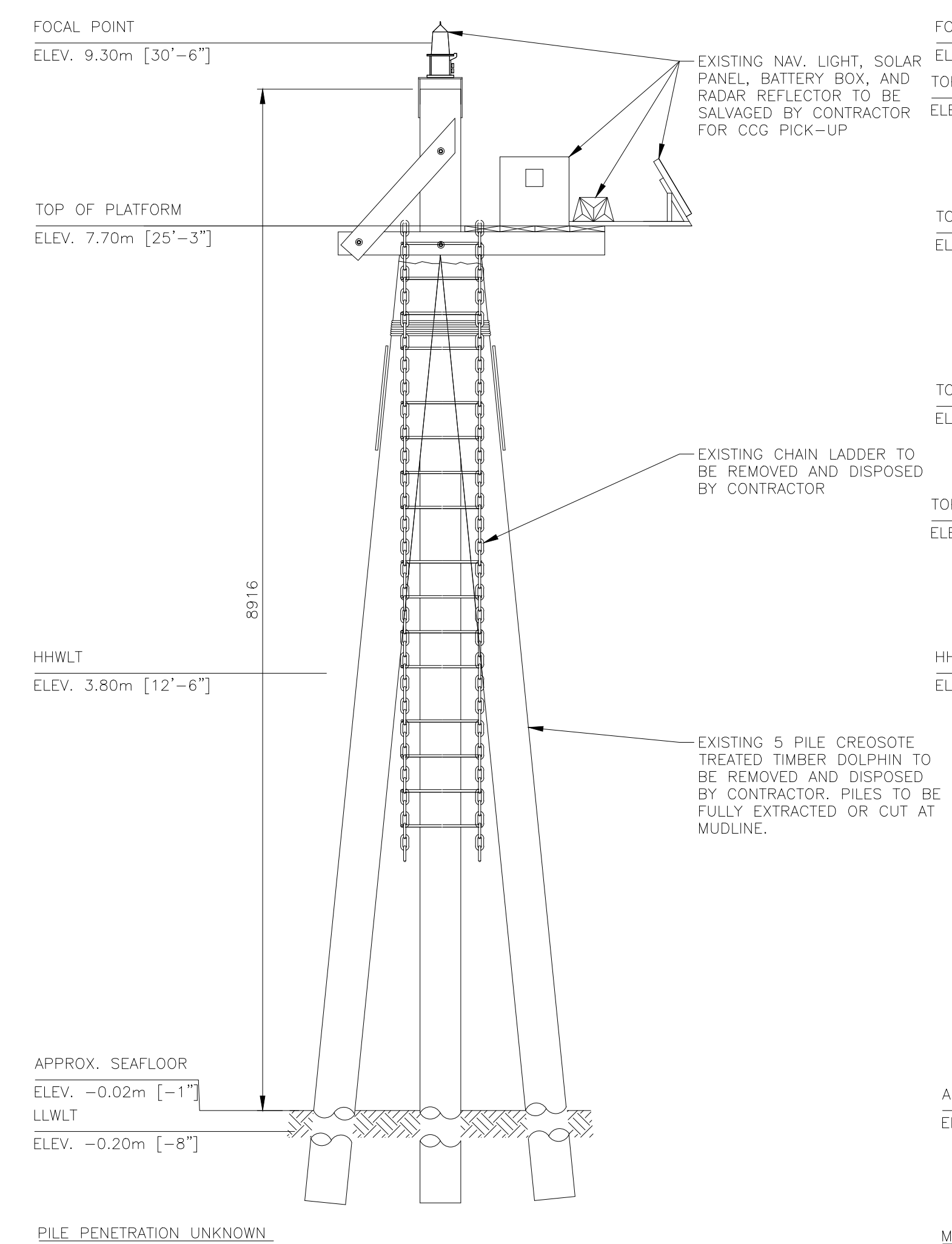


File: L:\Drawings and Eng Docs\Beacons-NewAds\LL (L)\LL 227 James Island 3 PILE DOLPHIN; Saved: 6/13/2013 1:27 PM by ALGUIRE, ADAM



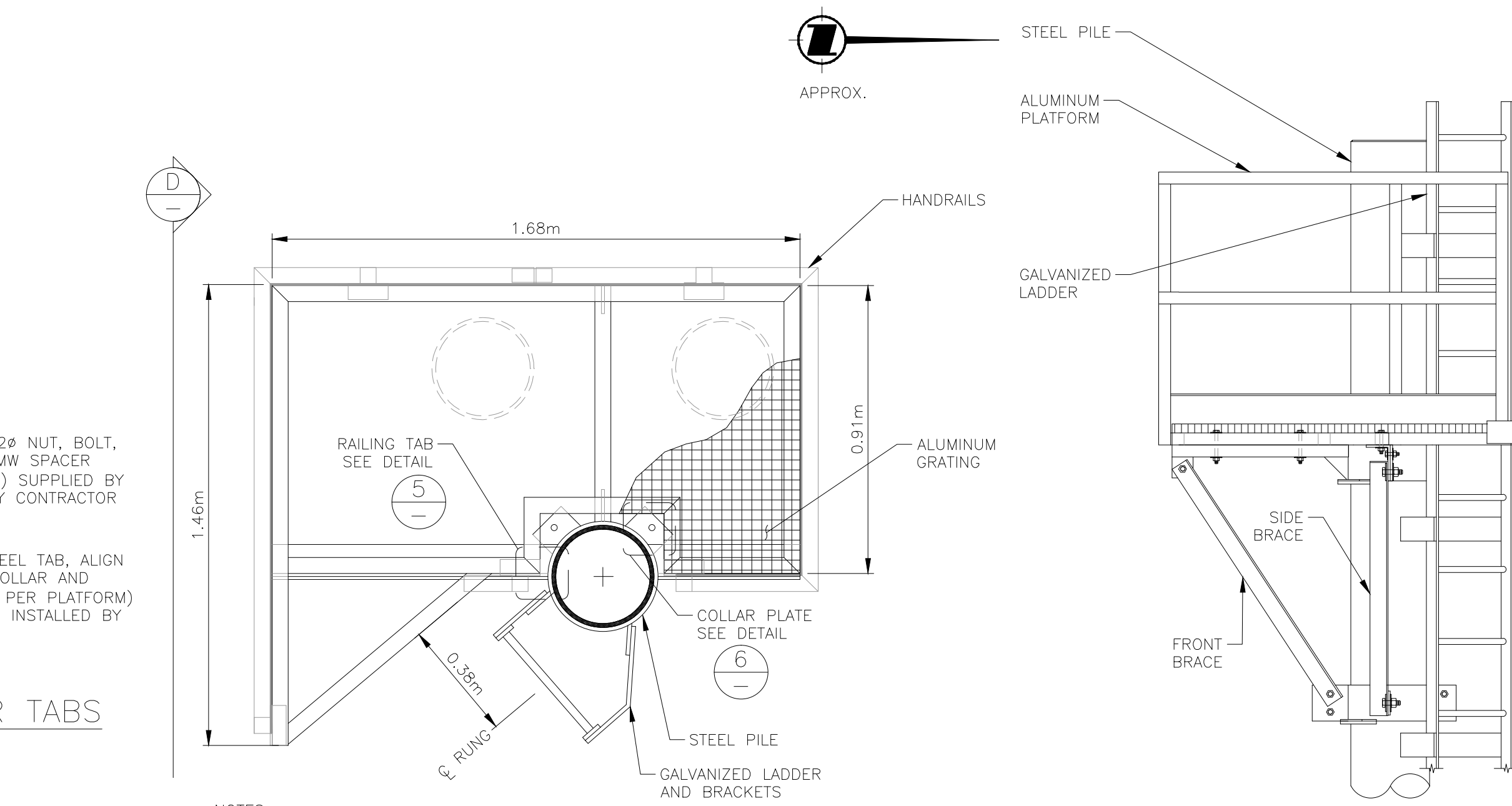
DETAIL 5 RAILING TAB
SCALE: 1:10

DETAIL 6 COLLAR TABS
SCALE: 1:10



ELEVATION VIEW

EXISTING 1
SCALE: 1:40

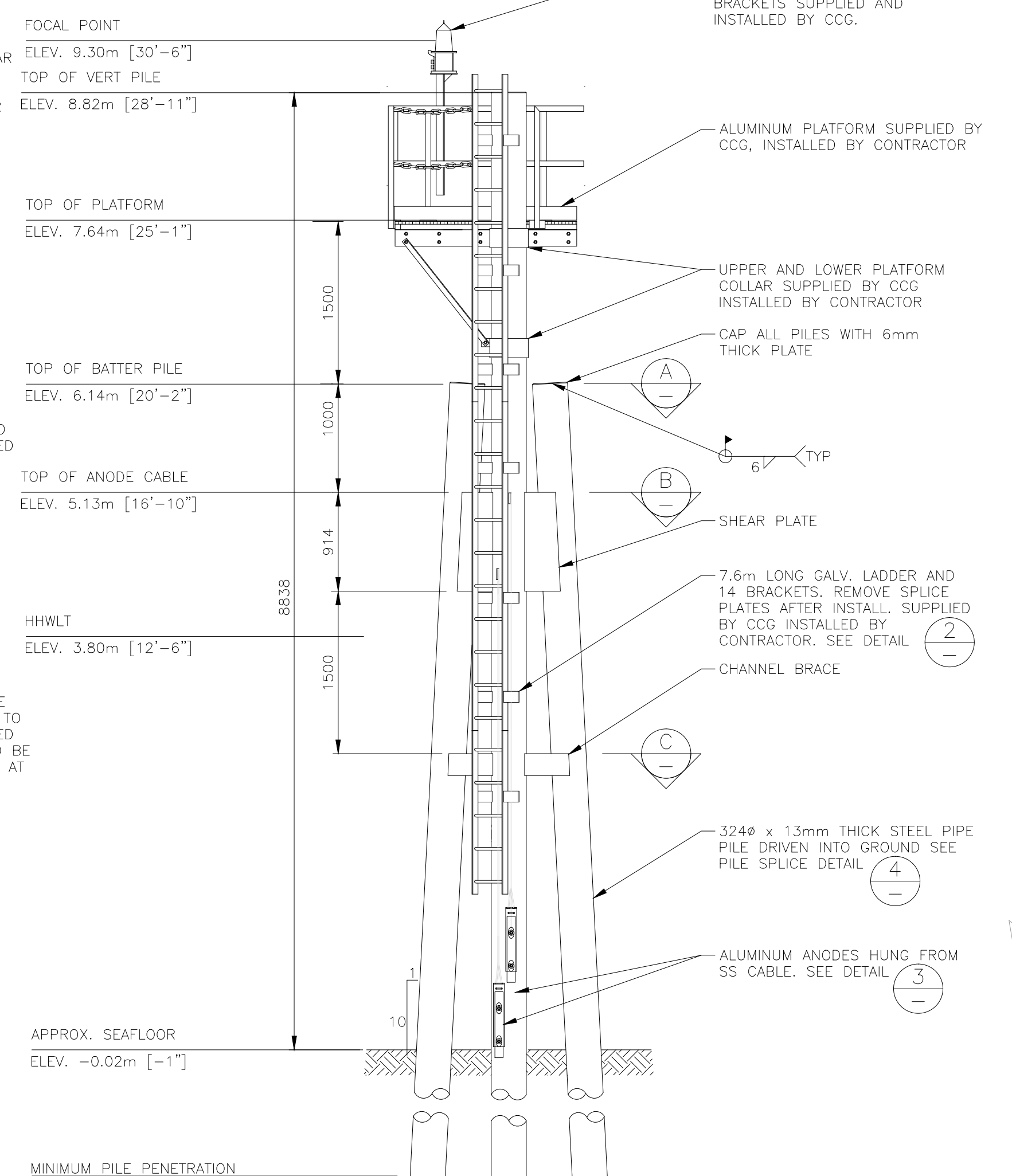


NOTES:
1. EXACT ORIENTATION OF PLATFORM TO BE DETERMINED IN THE FIELD BY CCG
2. NAV. LIGHT, BATTERY BOX, AND SOLAR PANEL NOT SHOW FOR CLARITY

PLAN VIEW
SCALE: 1:15

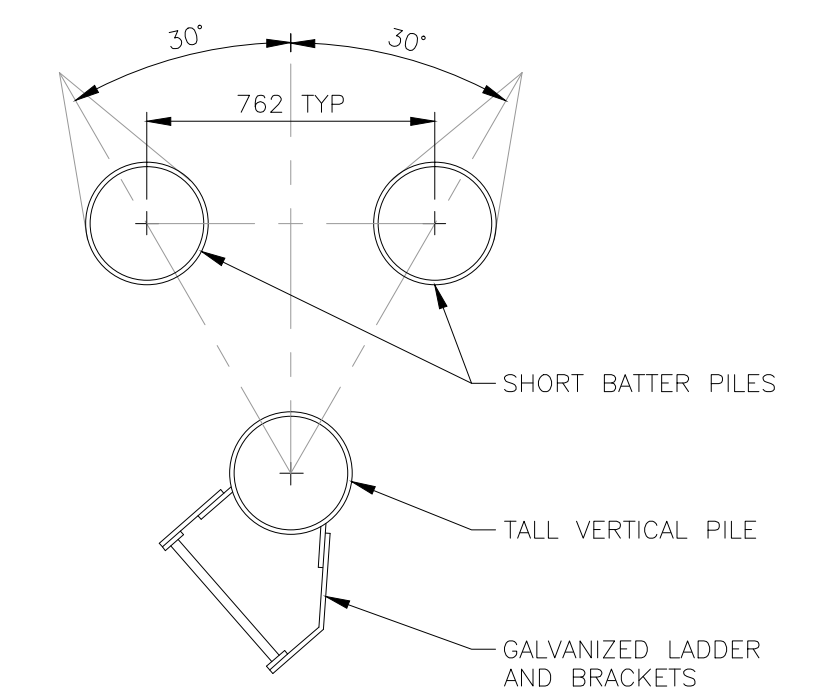
NOTE: PLATFORM AND BRACES SUPPLIED BY CCG INSTALLED BY CONTRACTOR

SECTION D
SCALE: 1:20

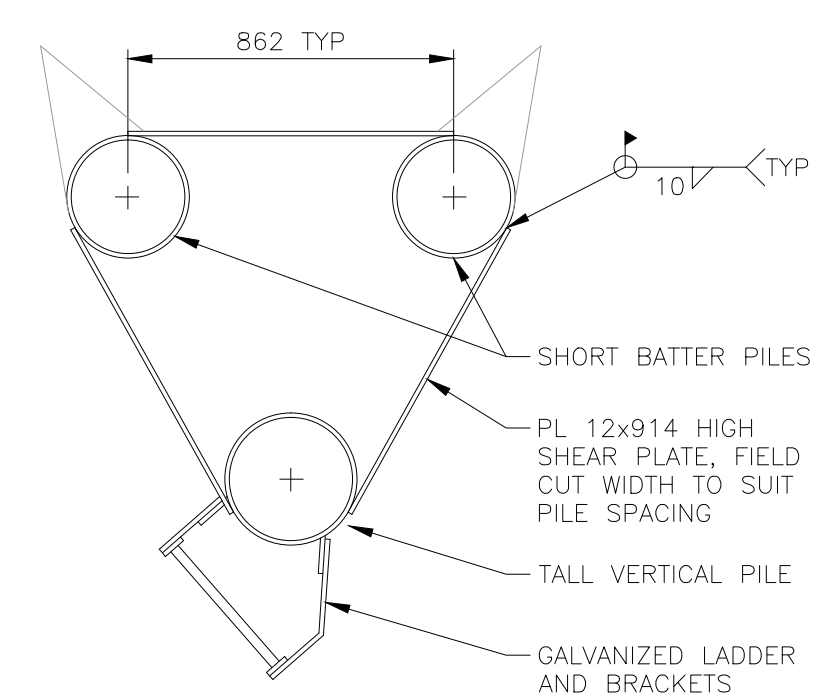


ELEVATION VIEW

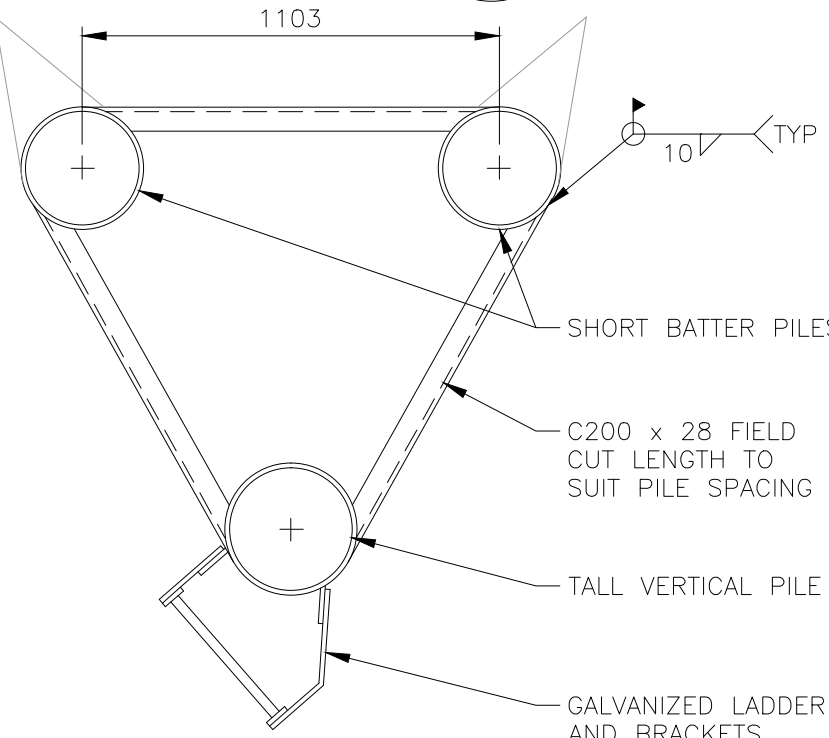
PROPOSED 2
SCALE: 1:40



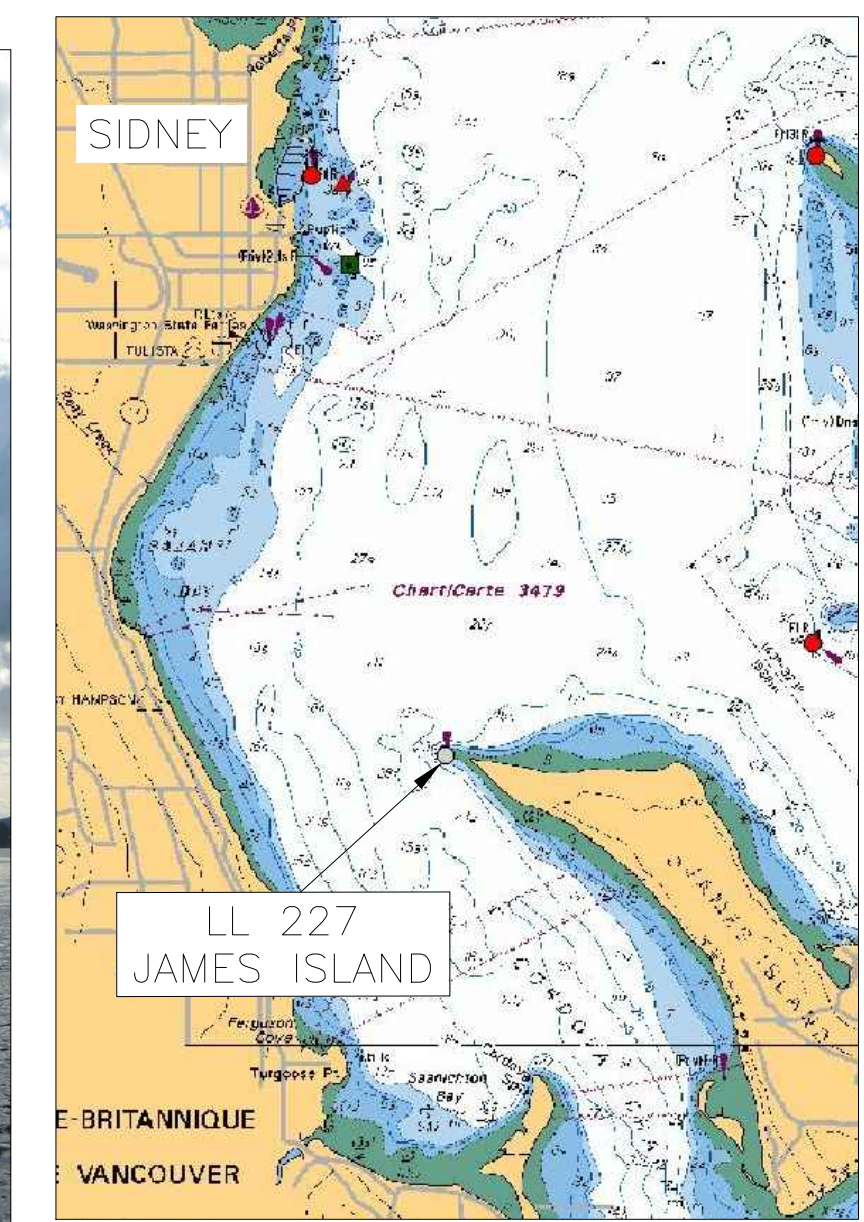
SECTION A
SCALE: 1:20



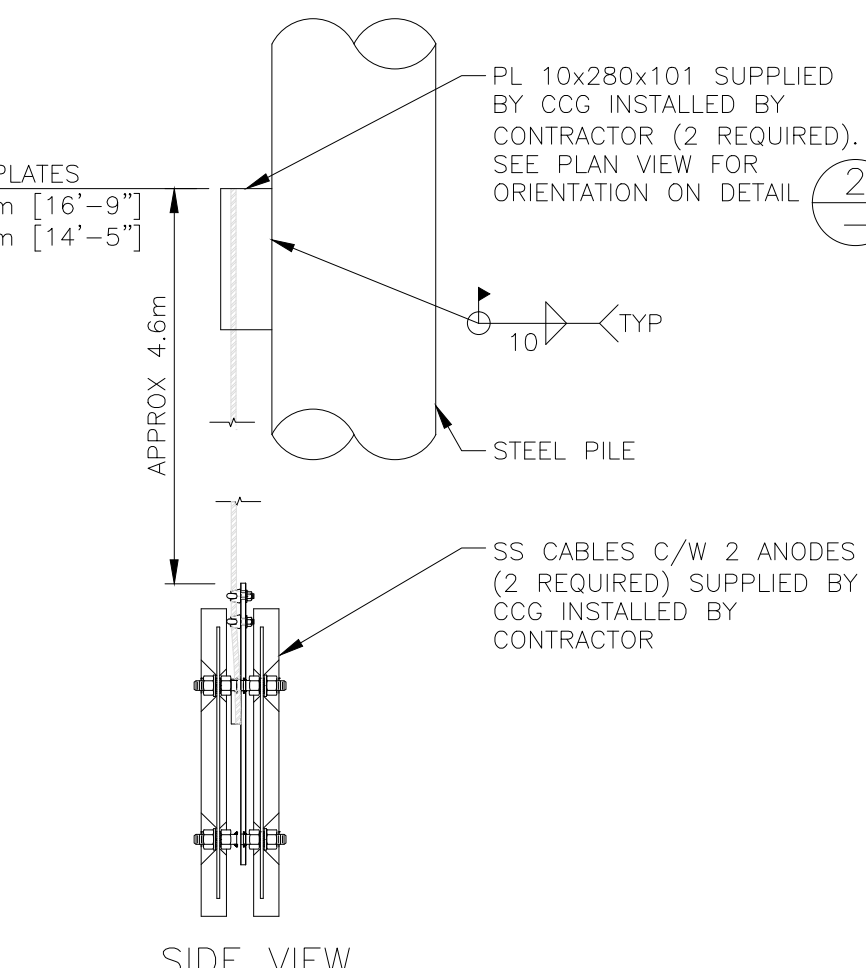
SECTION B
SCALE: 1:20



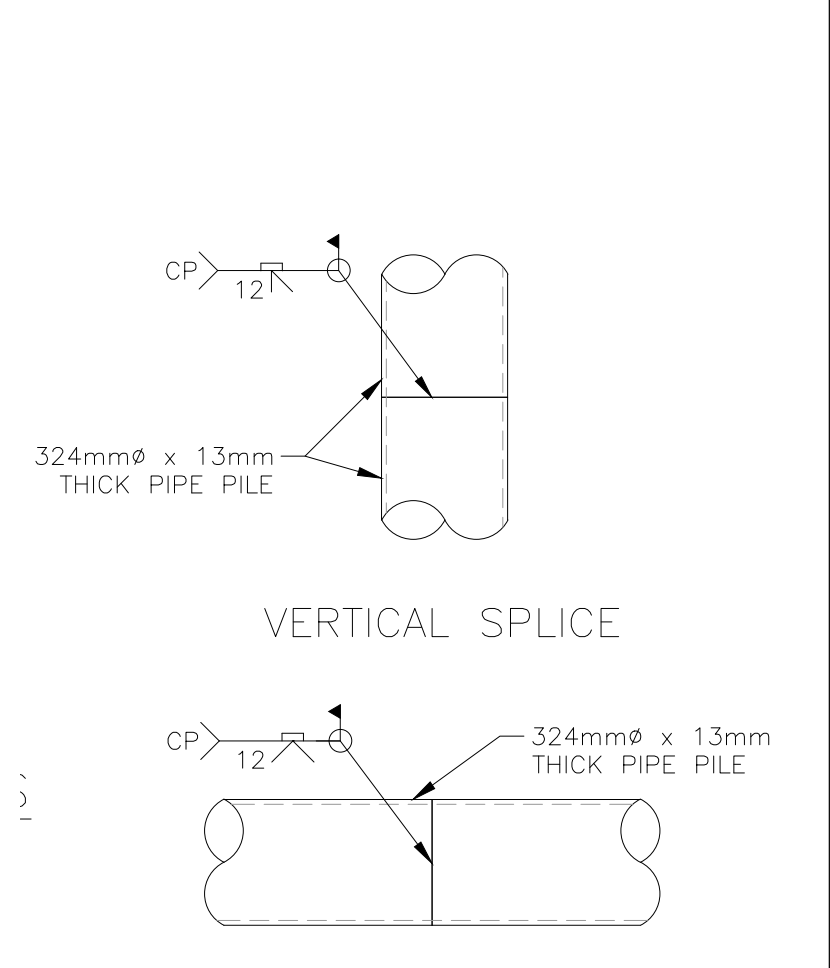
SECTION C
SCALE: 1:20



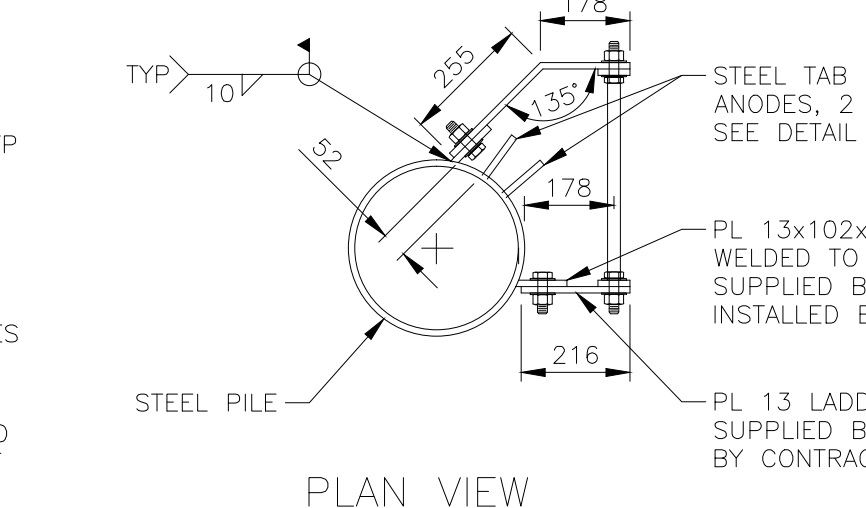
LOCATION CHART LETT (PART OF 3441) N.T.S.



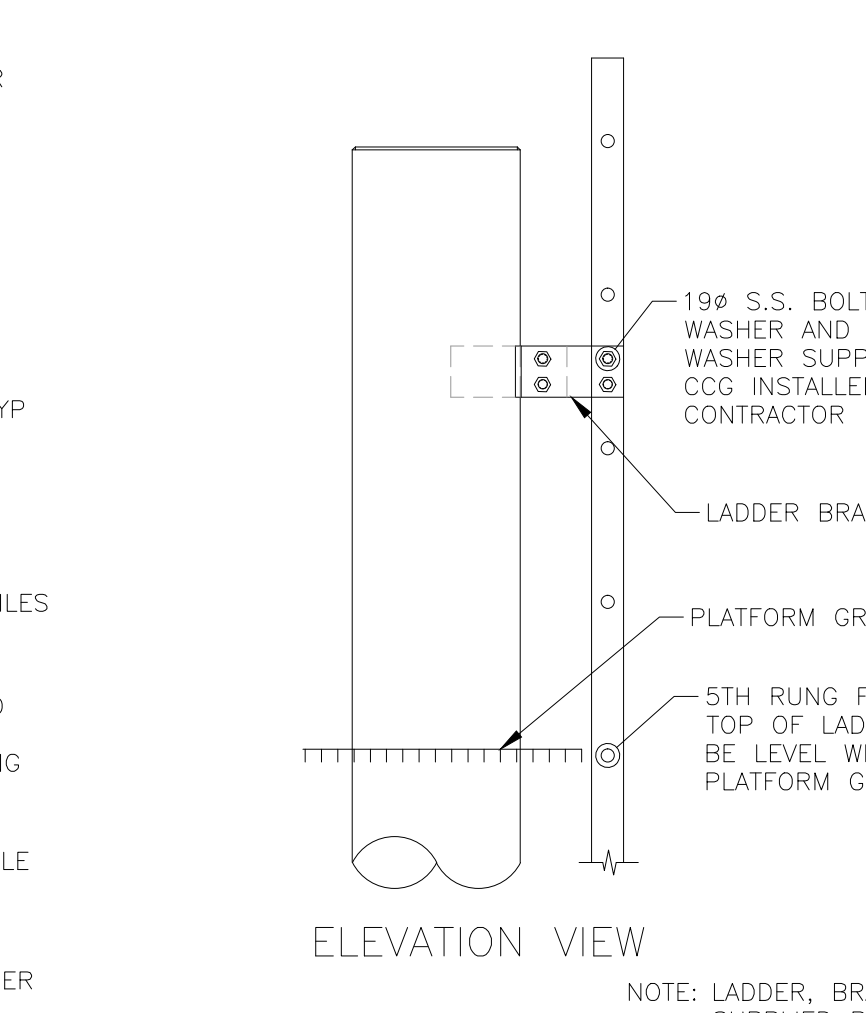
DETAIL 3 ANODES
SCALE: 1:15



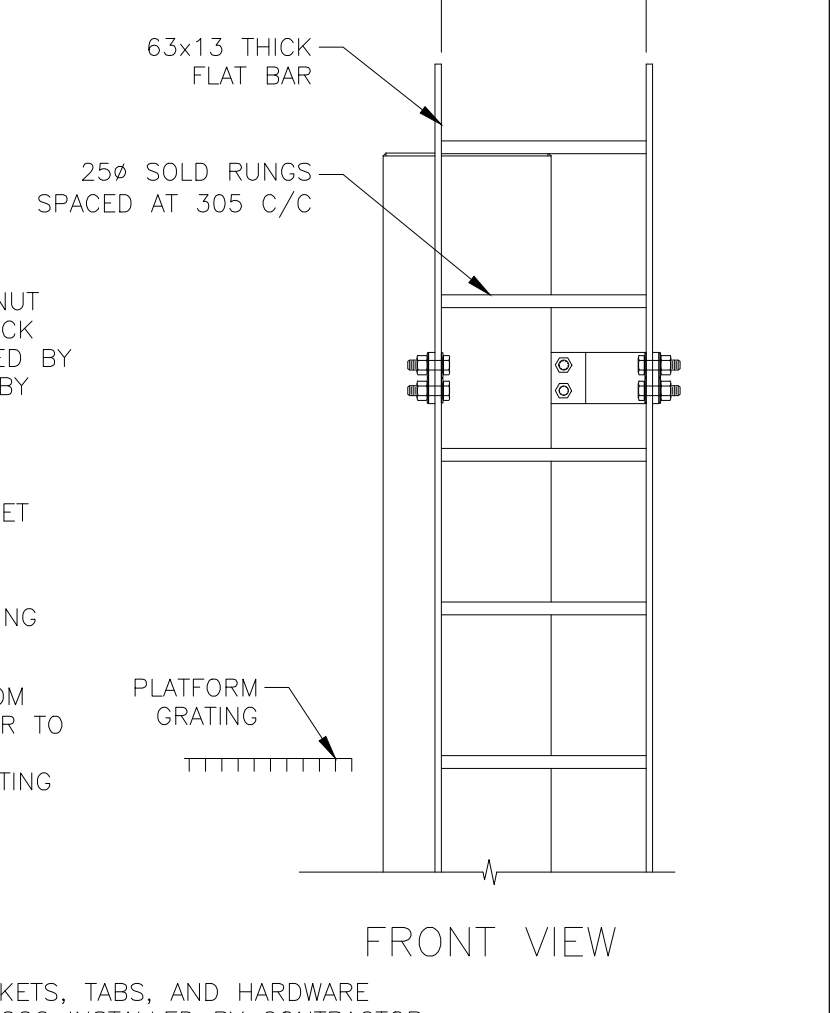
DETAIL 4 PILE SPLICE
SCALE: 1:20



PLAN VIEW



ELEVATION VIEW



FRONT VIEW

DETAIL 2 LADDER & BRACKETS
SCALE: 1:15

NOTE: LADDER, BRACKETS, TABS, AND HARDWARE SUPPLIED BY CCG INSTALLED BY CONTRACTOR

GENERAL NOTES

- THESE STRUCTURAL DRAWINGS ARE TO BE READ IN CONJUNCTION WITH ALL OTHER APPLICABLE CONSTRUCTION DOCUMENTS. DEVIATION OF PROJECT CONSTRUCTION IS NOT ACCEPTABLE UNLESS INSTRUCTED BY THE ENGINEER.
- ALL INFORMATION CONCERNING EXISTING SITE CONDITIONS HAVE BEEN TAKEN FROM ORIGINAL DRAWINGS AND SITE MEASUREMENTS. SHOULD INFORMATION OR SITE CONDITIONS DIFFER SIGNIFICANTLY FROM THAT SHOWN, ADVISE CCG ENGINEERING.
- DO NOT COMMENCE CONSTRUCTION USING THESE DRAWINGS UNLESS NOTED "FOR CONSTRUCTION".
- CONSTRUCTION SHALL BE IN ACCORDANCE WITH THE NATIONAL BUILDING CODE 2010 AND REFERENCED STANDARDS THEREIN.
- DRAWINGS SHOW COMPLETED STRUCTURES ONLY. CONTRACTOR IS RESPONSIBLE TO PROVIDE TEMPORARY STRUCTURES AND BRACING FOR CONSTRUCTION. LOADING CONDITIONS AND STABILITY OF THE STRUCTURE DURING CONSTRUCTION. CONSTRUCTION LOADS SHALL NOT EXCEED THE DESIGN LOADS.
- IT IS THE DISCRETION OF THE ENGINEER TO CONDUCT INSPECTIONS OR ACCEPT PHOTOS OF REINFORCING PRIOR TO THE PLACEMENT OF CONCRETE.
- REFER TO CCG DRAWING 20596 FOR ALUMINUM PLATFORM DETAILS.
- CONTRACTOR TO MEASURE AND VERIFY PILE LENGTHS PRIOR TO ORDERING MATERIALS.
- CCG SUPPLIED MATERIALS WILL BE DELIVERED BY CCG TO THE CONTRACTOR IN PORT ALBERNI OR AN AGREED LOCATION WHICH IS CONVENIENT TO BOTH PARTIES.
- ELEVATIONS SHOWN ARE APPROXIMATE.
- WATER LEVELS AND GROUND ELEVATIONS ARE REFERENCED TO CHART DATUM.
- CONTRACTOR IS RESPONSIBLE FOR THE SURVEY OF THE NEW STRUCTURE AND IS TO PROVIDE THE CCG LAT/LONG (NAD 1983) AND ELEVATIONS RELATIVE TO CHART DATUM OF THE NEW STRUCTURE AS PER CCG SURVEY STANDARDS.
- SURVEY TO BE OUT BY A CERTIFIED MARINE SURVEYOR AND MEET THE CCG "STANDARDS AND SPECIFICATIONS, SURVEYS OF CCG AIDS TO NAVIGATION"
- PILE DESIGN BY OTHERS. STRUCTURE SHALL ACCOMMODATE LOCAL ENVIRONMENTAL CONDITIONS IN ADDITION TO LOADING AS PER CCG DESIGN CRITERIA DOCUMENT.

No:	Revision:	Date:	By:
1	FOR CONSTRUCTION	2013JUNE05	AA

Project: LL 227 JAMES ISLAND

NEW 3-PILE DOLPHIN AND ALUMINUM PLATFORM

Sheet Title: ELEVATION AND PLAN VIEW AND CONSTRUCTION DETAILS

Designed By: PG Date: FEB 2013

Drawn By: AA Date: FEB 2013

Approved By: - Date: -

CAD File: - 20821 JAMES ISLAND 3 PILE DOLPHIN.dwg

Drawing No: 20821

Sheet No: 1 OF 1