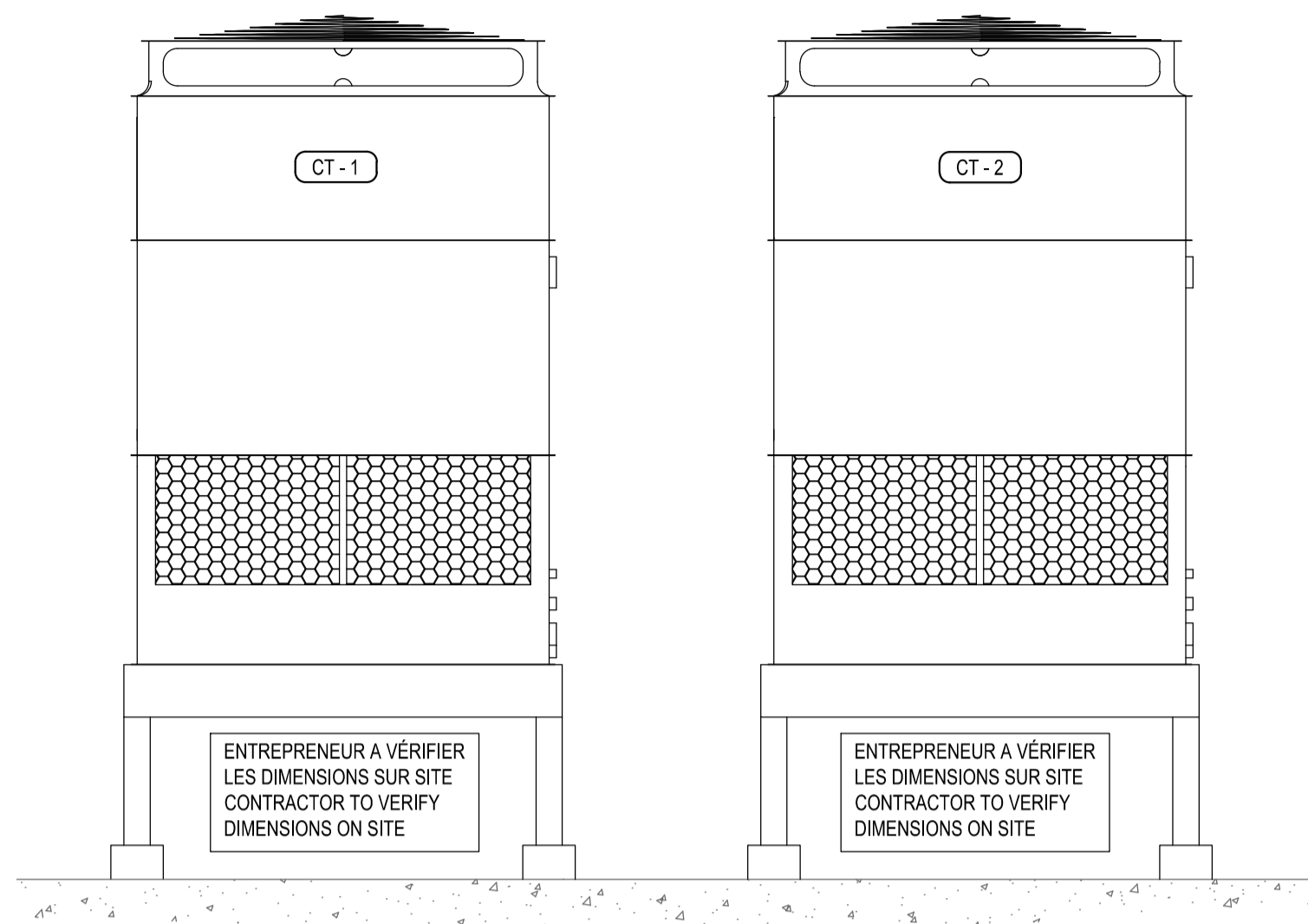
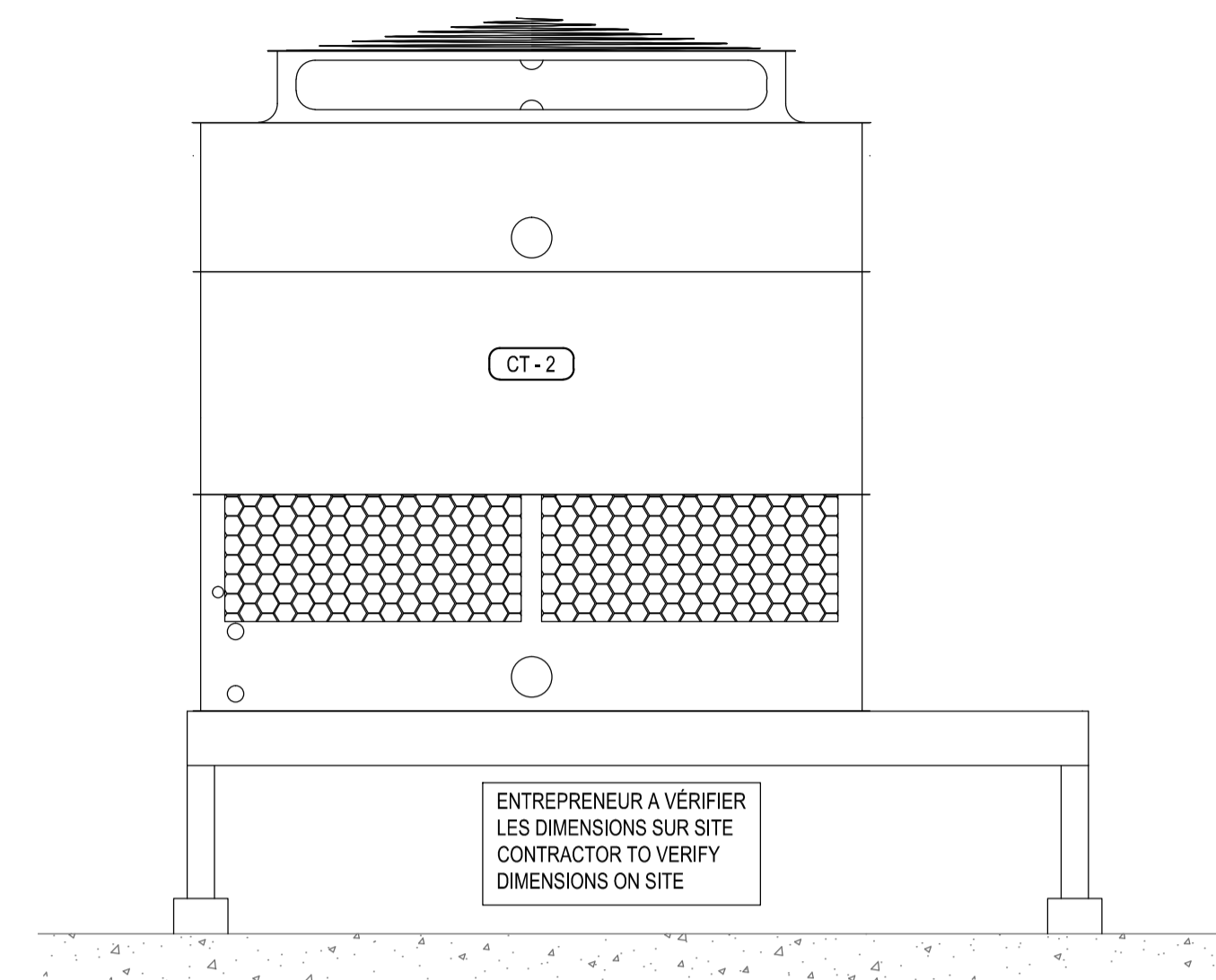


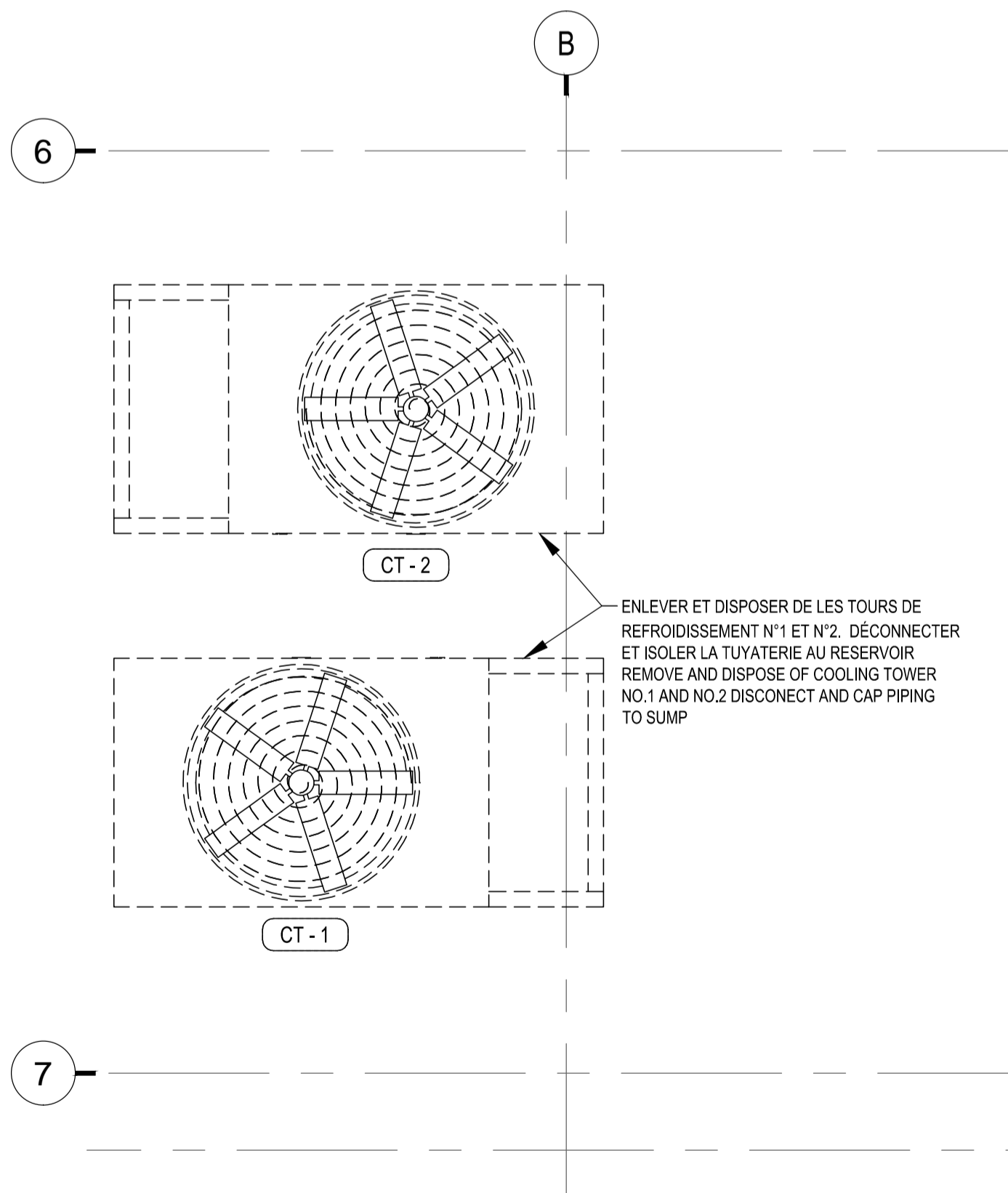
1 PLAN CLÉ/KEY PLAN
M3 N.T.S.



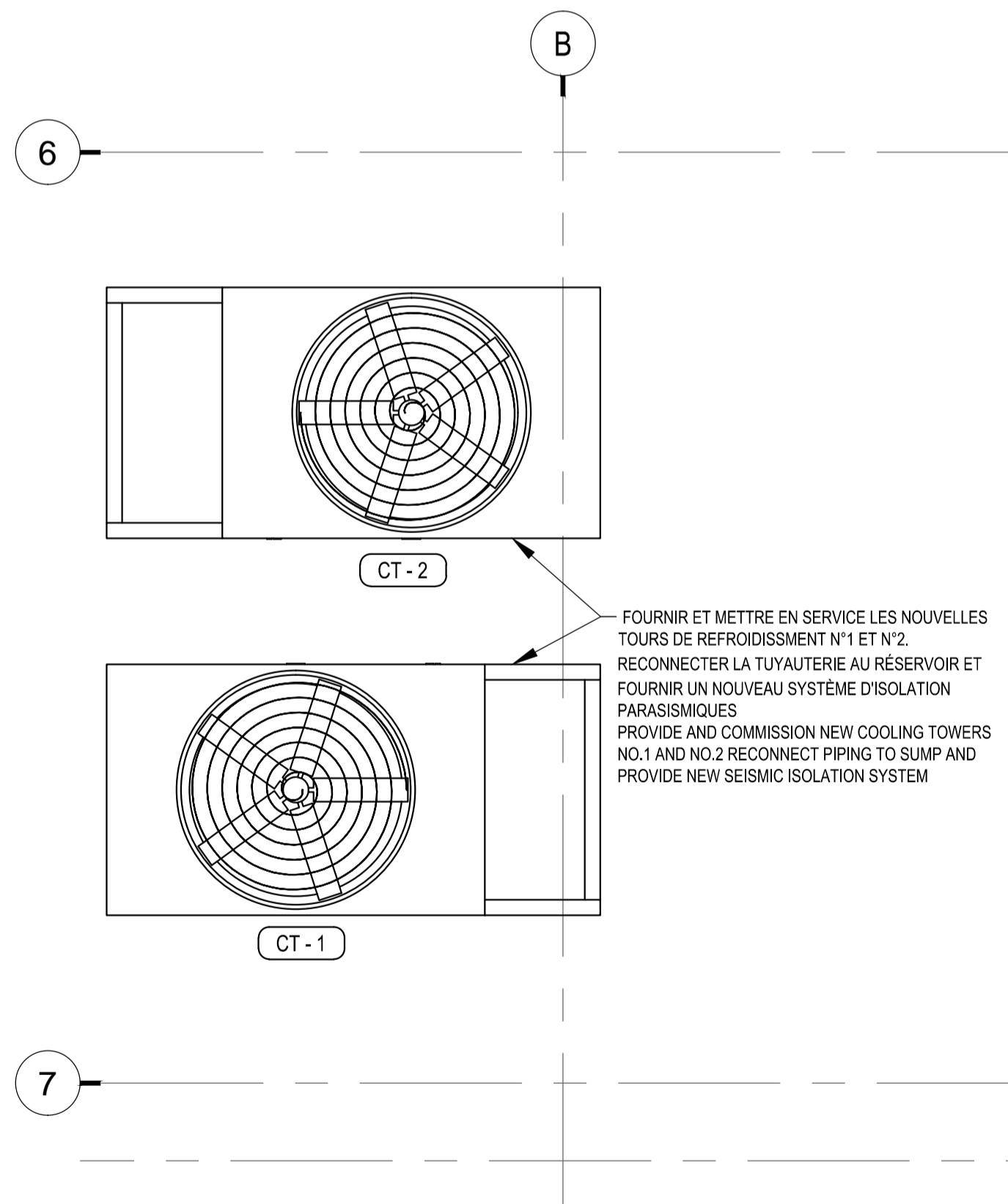
3 VUE EN ÉLÉVATION - FACE /ELEVATION VIEW - FRONT
M3 1:50



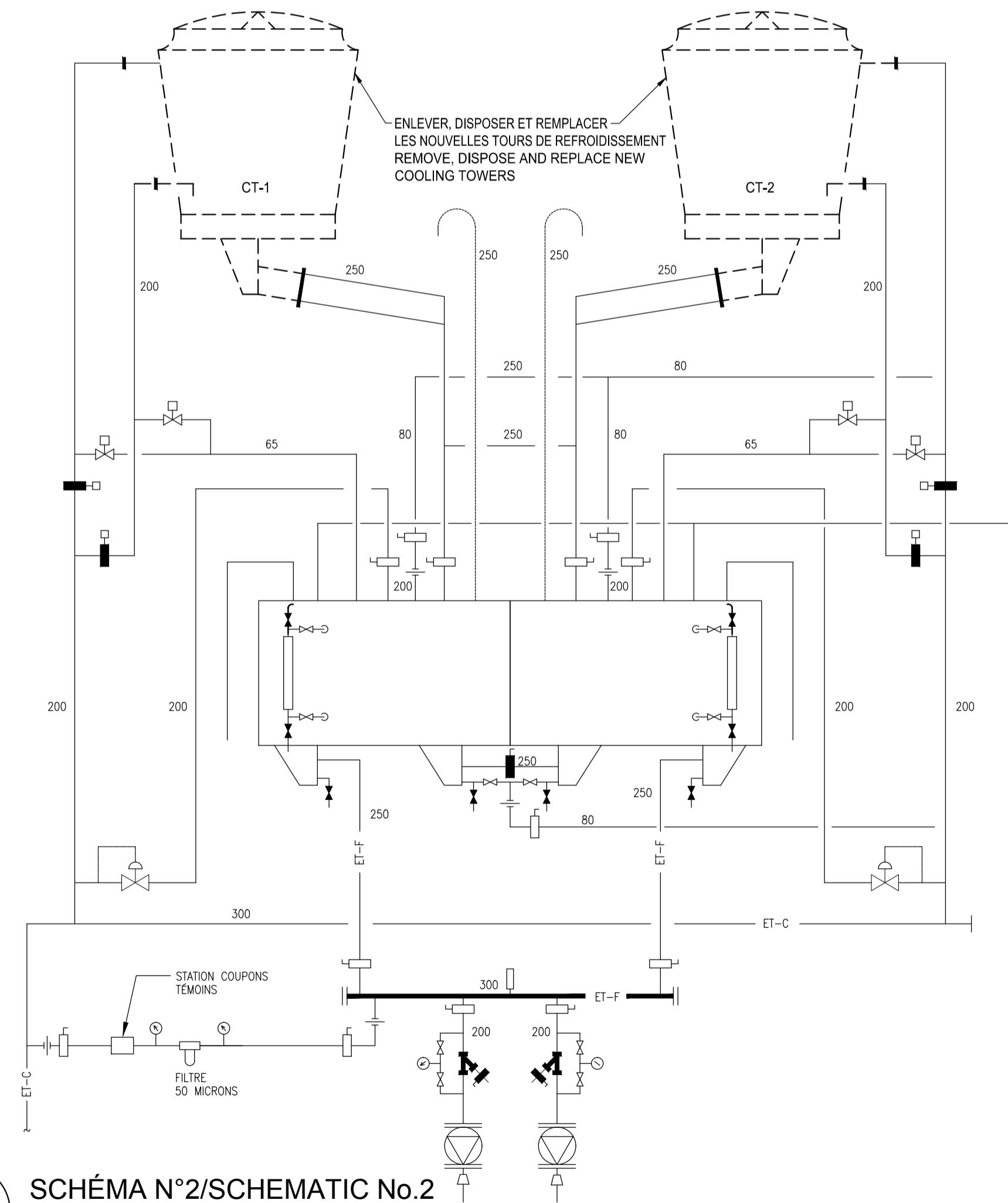
5 VUE EN ÉLÉVATION - CÔTÉ / ELEVATION VIEW - SIDE
M3 1:50



2 PARTIE DU TOIT - DÉMOLITION
PART OF ROOF - DEMOLITION
M3 1:50

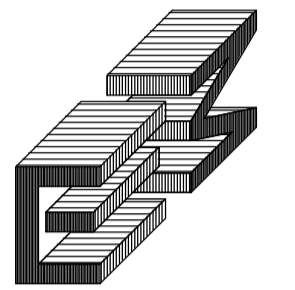


4 PARTIE DU TOIT - NOUVEAUX TRAVAUX
PART OF ROOF - NEW WORK
M3 1:50



6 SCHÉMA N°2/SCHEMATIC No.2
M3 N.T.S.

KEY PLAN NORTH



CHIARELLI ENGINEERING
MANAGEMENT LTD.
203-100 CRAIG HENRY DR.
NEPEAN, ONTARIO K2G 5W3
TEL: (613)225-1123
FAX: (613)225-7298
E-MAIL: info@cemltd.com

CONSULTANT NAME AND ADDRESS:

11			
10			
9			
8			
7			
6			
5			
4			
3			
2			
1			

08/01/2013	M.M.	ISSUED FOR TENDER
07/17/2013	M.M.	ISSUED FOR REVIEW

DATE	2013/07/17
CONSULTANT	CEL
DRAWN BY	SK
DESIGNED BY	MM
APPROVED BY	MM

CONTRACTOR SHALL CHECK AND VERIFY ALL DIMENSIONS AND REPORT ANY OMISSIONS OR DISCREPANCIES TO THE ARCHITECT BEFORE PROCEEDING WITH THE WORK.
DO NOT SCALE THE DRAWINGS

Musée Canadien de la Nature
Canadian Museum of Nature

1740 Pink Road/Gatineau
Gatineau, Quebec J9J 3N7

REPLACEMENT DES TOURS DE REFRIGÉRISSMENT
ET DES CHAUDIÈRES À VAPEUR
REPLACEMENT OF STEAM BOILERS AND COOLING TOWERS

13-029 MÉCANIQUE EXISTANTE, DÉMOLITION ET LES
TRAVAUX EXISTANTS DES TOURS DE REFRIGÉRISSMENT
MECHANICAL EXISTING, DEMOLITION AND
NEW WORK OF COOLING TOWERS

13-029_M	M3	3	AS NOTED COMME INDICÉ
----------	----	---	--------------------------