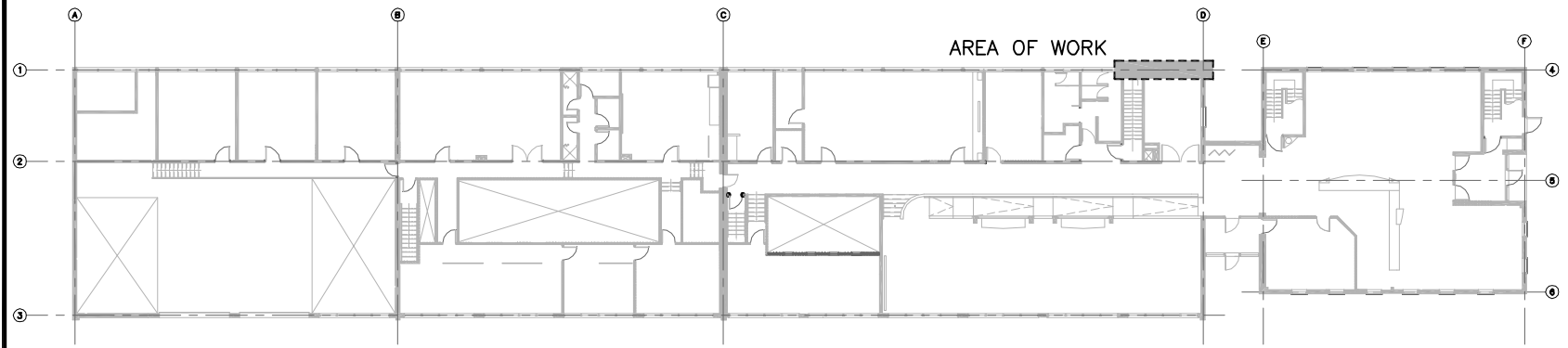
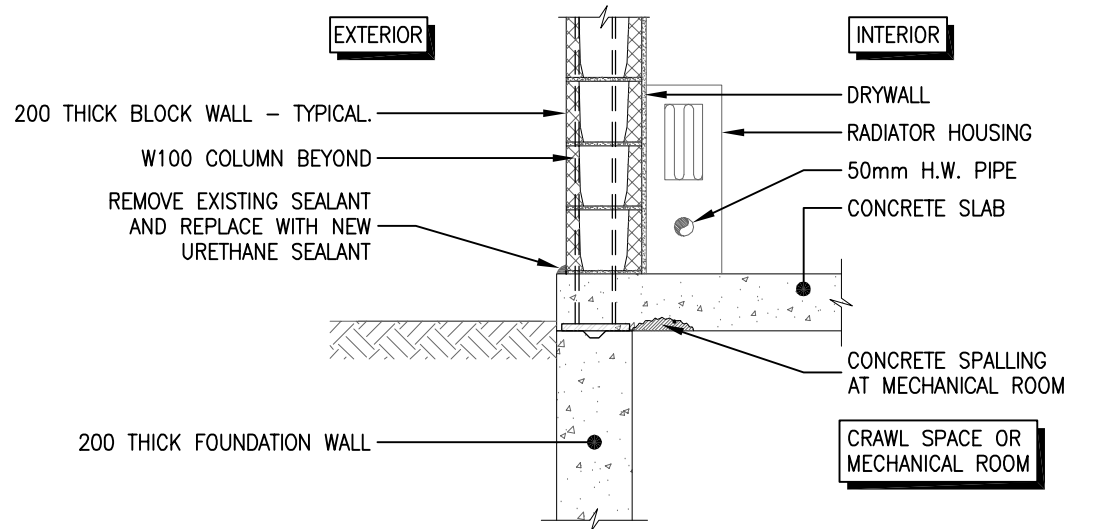


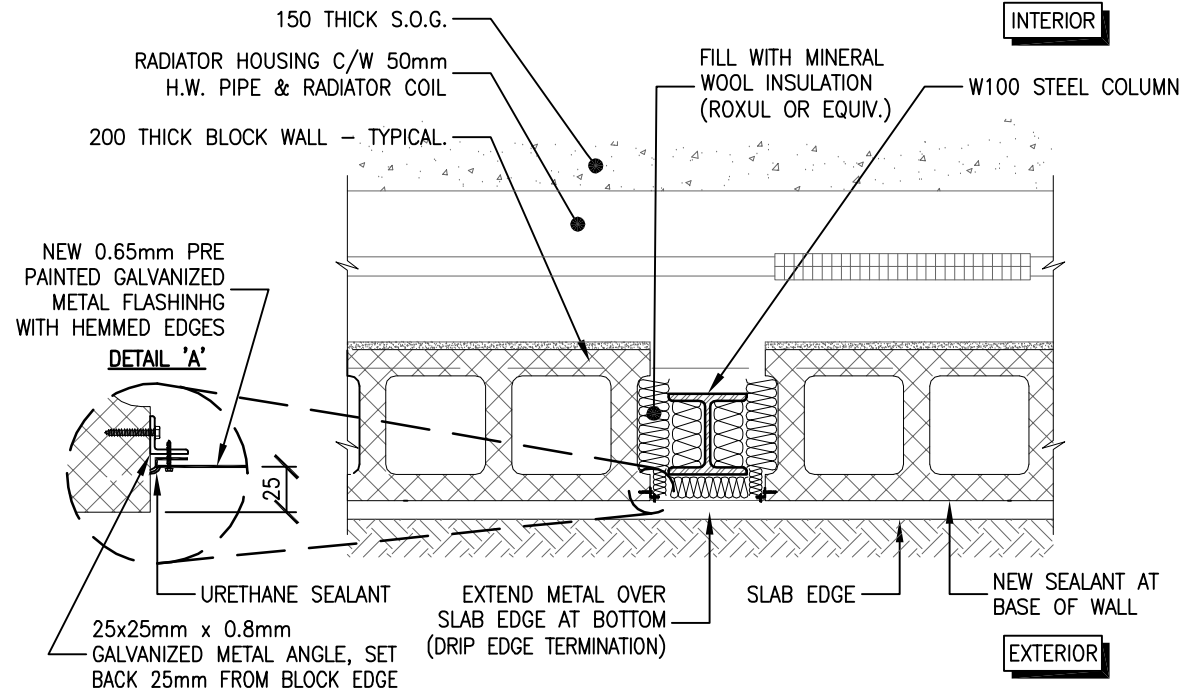
\\SERV-NEP-DATA\PROJECTS\131-13000\S\131-13714-00\_33\_SCOTT\_HEATING\_SYSTEM\_UPGRADES\STRUCTURAL\WORKING DRAWINGS\131-13714-SK1.DWG



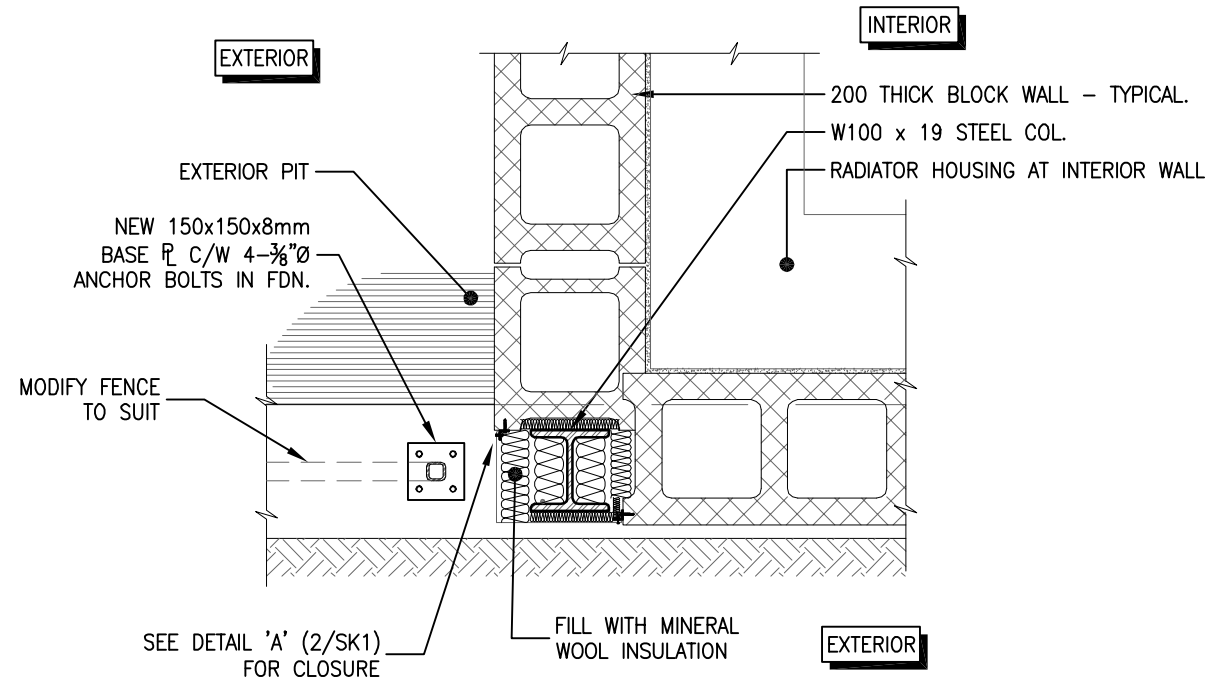
**1** SK1 **GROUND FLOOR KEY PLAN**  
N.T.S.



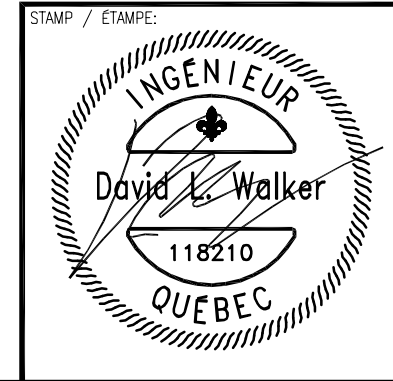
**2** SK1 **TYP. WALL SECTION**  
SCALE 1 : 20



**3** SK1 **TYP. STEEL COLUMN @ EXTERIOR WALL**  
N.T.S.



**4** SK1 **STEEL COLUMN @ SOUTH-EAST CORNER**  
N.T.S.



PROJECT / PROJET: NCC VISITOR CENTER 33 SCOTT ROAD, CHELSEA, QC.	PROJECT NO / NO PROJET: 131-13714-00	SUPPLEMENTAL: ADDENDUM / ADDENDUM: ADD_# <input type="checkbox"/> DIRECTIVE / DIRECTIVE: DIR_# <input type="checkbox"/> CHANGE ORDER / ORDRE DE CHANGEMENT: CHG_# <input type="checkbox"/>
TITLE / TITRE: DETAILS	SCALE / ÉCHELLE: AS SHOWN	REVISION / RÉVISION: ISSUED FOR TENDER
	DRAWN BY / DESSINÉ PAR: N. K. - M. P.	DATE / DATE: 2013/05/22
	CHECKED BY / VÉRIFIÉ PAR: D. WALKER	SUPPLEMENTAL NO / DESSIN NO: SK1