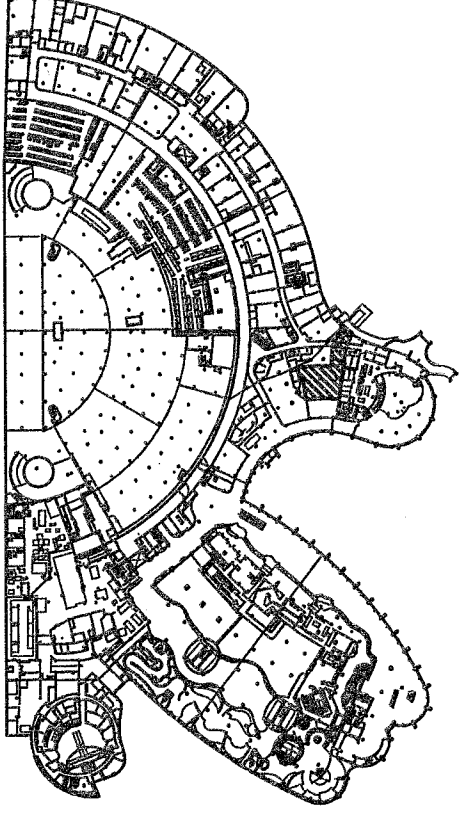


14 July 2013

KEY PLAN



CLIENT
Société du Musée canadien des civilisations
Canadian Museum of Civilization Corporation
MUSÉE CANADIEN
DES CIVILISATIONS

ARCHITECT
CANADIAN MUSEUM
OF CIVILIZATION
Gestion immobilière et services de sécurité
Facility Management and Security Services

#	DATE	REVISION	BY	QID
1	14-06-2013	ISSUED FOR TENDER	A.M.	501845

**MCC INFOCOM HCAS
AIR COOLED COOLING SYSTEM**

**ELECTRICAL
POWER AND
SINGLE LINE DIAGRAM**

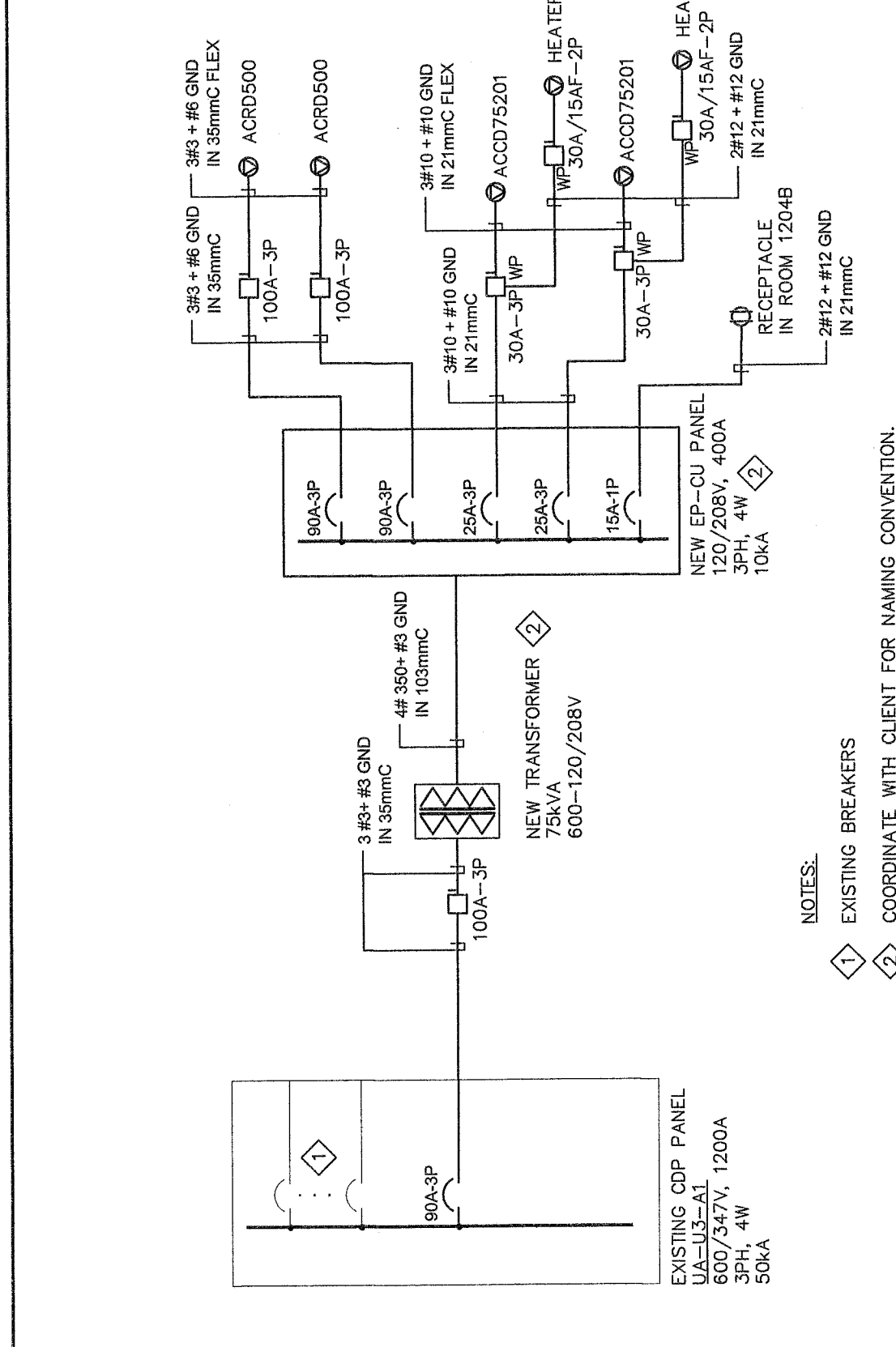
DRAFTING	C.D.G.	DESIGN	C.D.G.	VERIFICATION	A.M.
BPA PROJECT NUMBER	7013-004				
SCALE	N/A				
E300					

SYMBOL	DESCRIPTION
⊙	HEAT DETECTOR
⊕	DIRECT CONNECTION
⊖	MOTOR CONNECTION
⊗	MAGNETIC STARTER
⊘	DISCONNECT SWITCH
⊙	DISTRIBUTION PANEL
⊕	TRANSFORMER
◇	REFER TO NOTE 1
D	DENOTES EXISTING TO BE REMOVED
E	DENOTES EXISTING TO REMAIN
WP	DENOTES WEATHER PROOF

GENERAL NOTE.
COORDINATE WITH THE BUILDING OPERATOR 3 WEEKS IN ADVANCE TO ADVISE OF THE LOCATION OF THE EXISTING PANEL UA-U3-A1 AS INDICATED.

NOTES:

- ◇ SCAN AND CORE DRILL, SEAL OPENINGS WITH THE APPROPRIATE FIRE STOPPING MATERIAL
- ◇ PROVIDE 60A, 3P, 50KA BREAKERS IN EXISTING PANEL UA-U3-A1 TO FEED THE NEW 75KVA TRANSFORMER LOCATED IN THE STORAGE ROOM 1204B.
- ◇ PROVIDE A FENCE C/W HINGED LOCKABLE DOOR TO PROTECT THE NEW ELECTRICAL EQUIPMENT. PROVIDE AT LEAST 1m CLEARANCE IN FRONT OF THE TRANSFORMER AND THE PANEL.
- ◇ PROVIDE A HEAT DETECTOR IN ROOM 1204B. CONNECT TO THE LOCAL FIRE ALARM LOGIC. VERIFY THE FIRE INSTALLATION.
- ◇ ACCD75201 CONDENSERS TO BE FED FROM NEW PANEL EP-CU IN ROOM 1204B. BREAKERS AND FEEDERS AS INDICATED ON 2/E300.
- ◇ ACRO500 AC UNITS TO BE FED FROM NEW PANEL EP-CU IN ROOM 1204B. BREAKERS AND FEEDERS AS INDICATED ON 2/E300.
- ◇ PROVIDE PROPER STRUCTURAL SUPPORT FOR RIGID GALVANIZED CONDUITS AND CABLE RUNS TO PASS IN FRONT OF THE EXISTING WINDOW AS PER CODE REQUIREMENTS.
- ◇ PROVIDE UNIT STRUT STRUCTURAL SUPPORT TO MOUNT THE TRANSFORMER AND FEEDERS TO THE UNIT HOUSE CONCRETE PAD.
- ◇ ALL OUTDOOR CONDUITS TO BE RIGID ALUMINUM. FASTENED TO THE CONDUIT ON THE UNDERSIDE OF THE EXISTING OUTDOOR WINDOW SILL AND FASTENED TO THE LOCATION WITH BUILDING OPERATOR AND DIVISION 23.
- ◇ PROVIDE A SECOND WEATHERPROOF DISCONNECT OF THE AC UNIT. PROVIDE CABLEING AND FLEX CONDUIT TO FEED THE FLOODED RECEIVER HEATER TERMINATION WITH DIVISION 23.



2 SINGLE LINE DIAGRAM - NEW EQUIPMENT
NTS
E300



1 POWER LAYOUT - FIRST FLOOR
E300
SCALE: 1:100