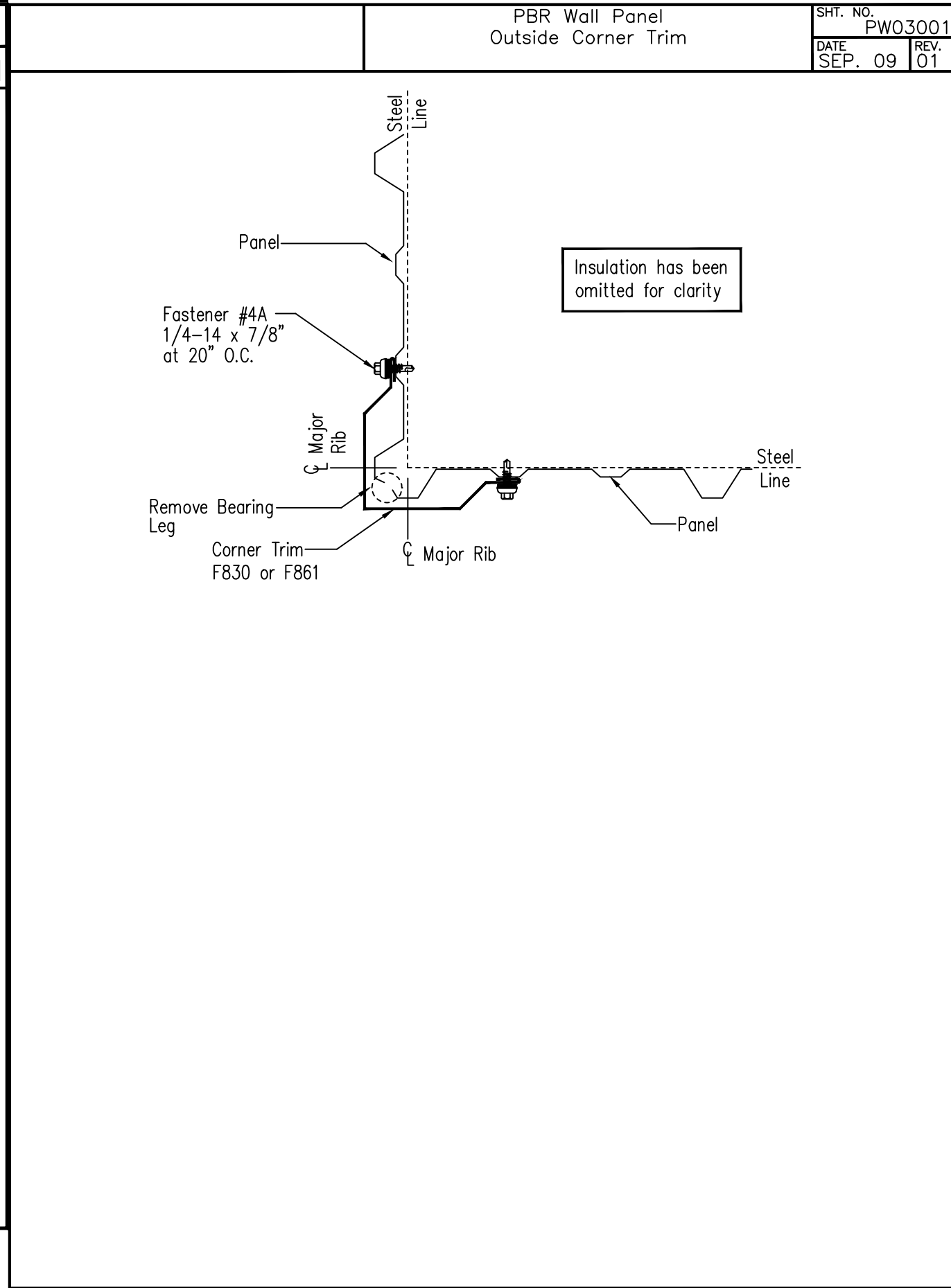
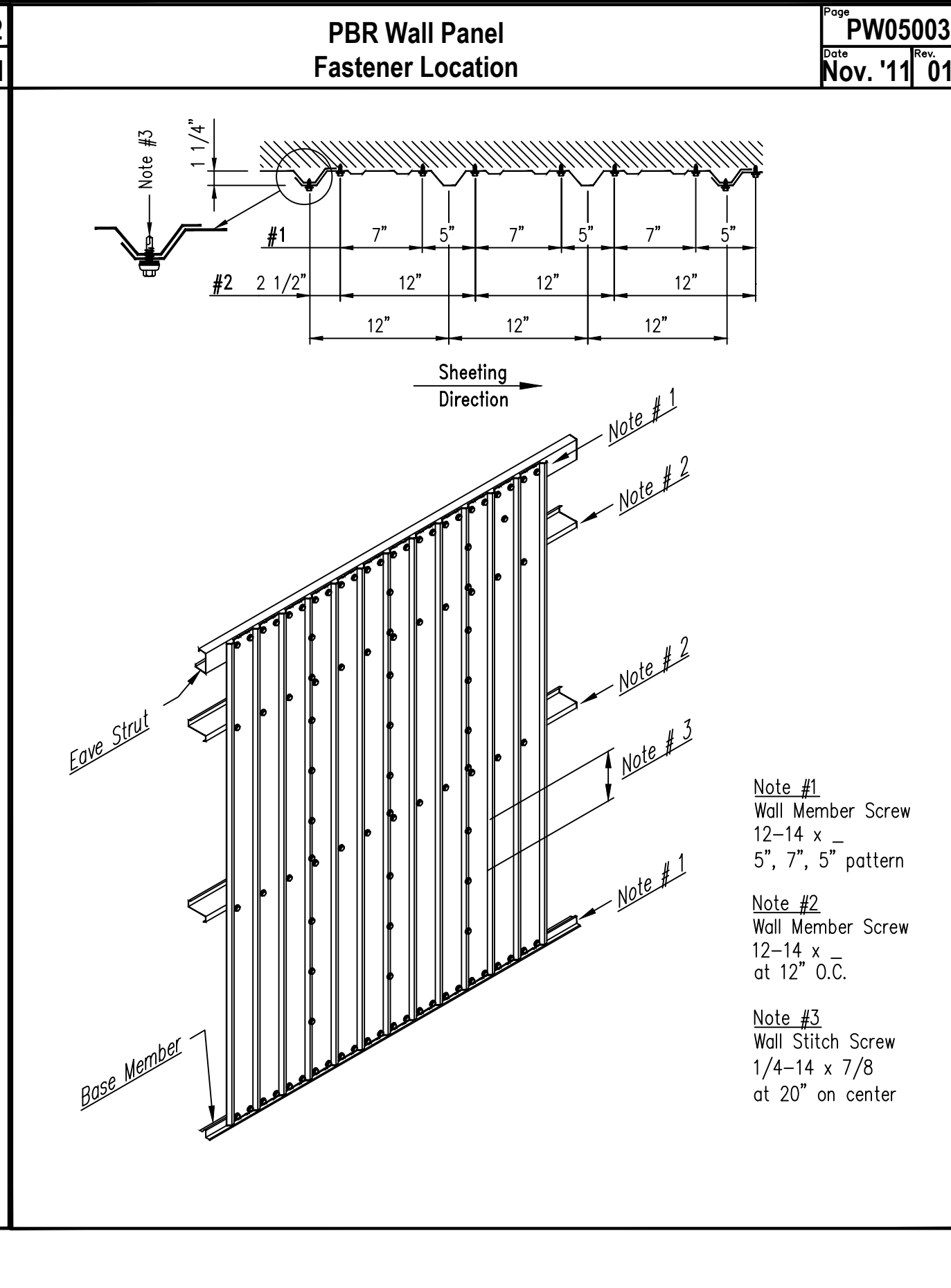
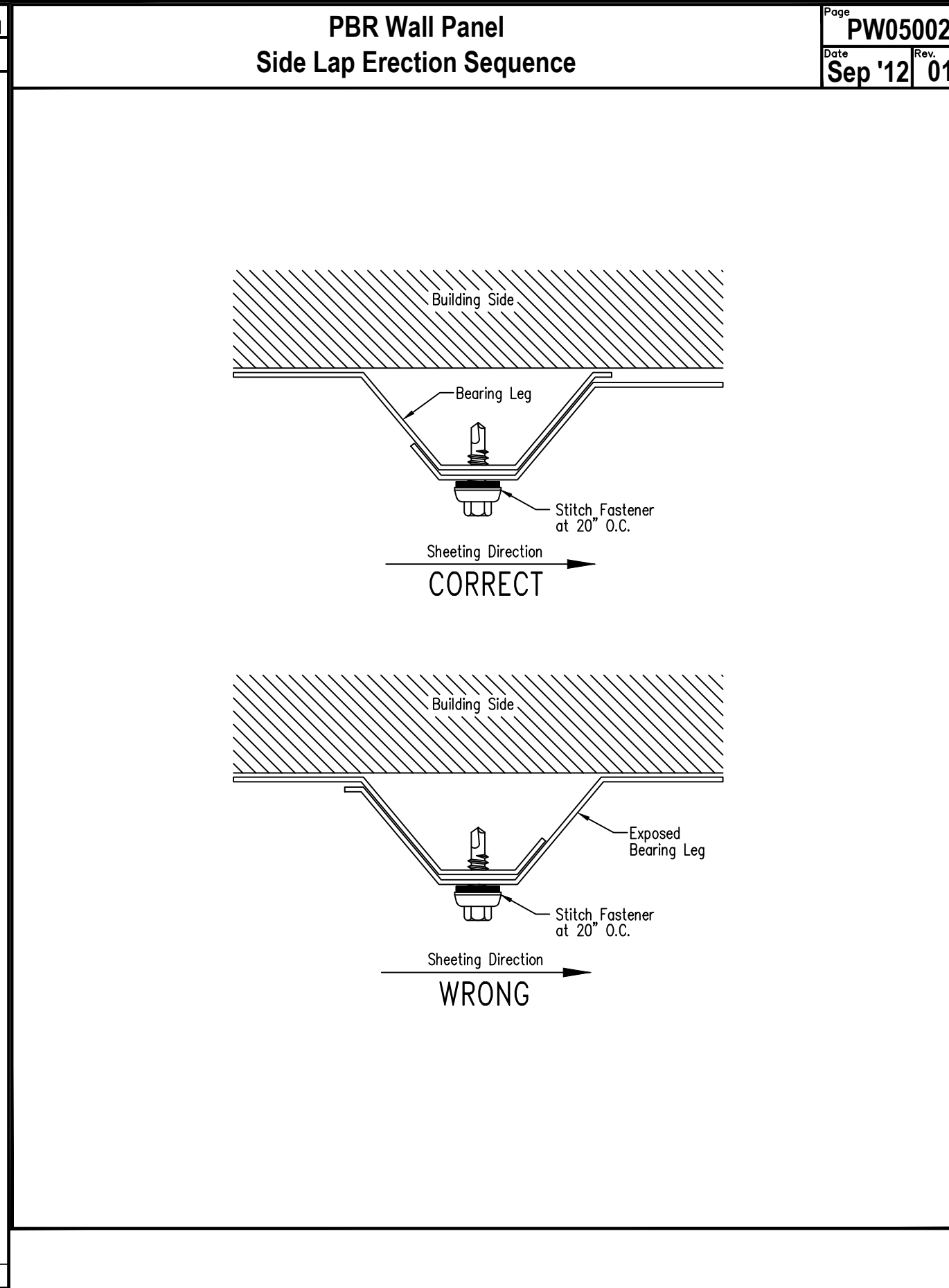
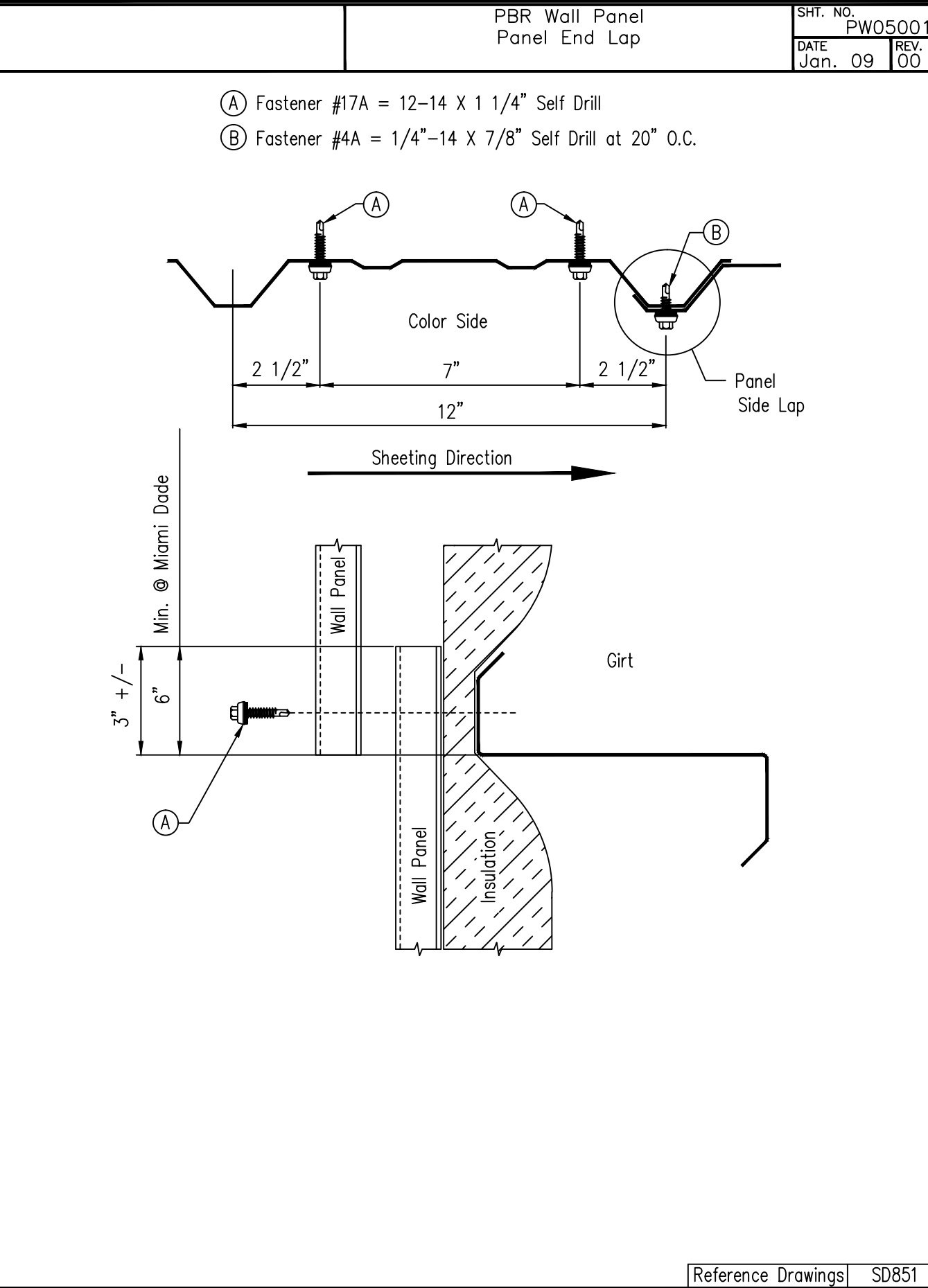
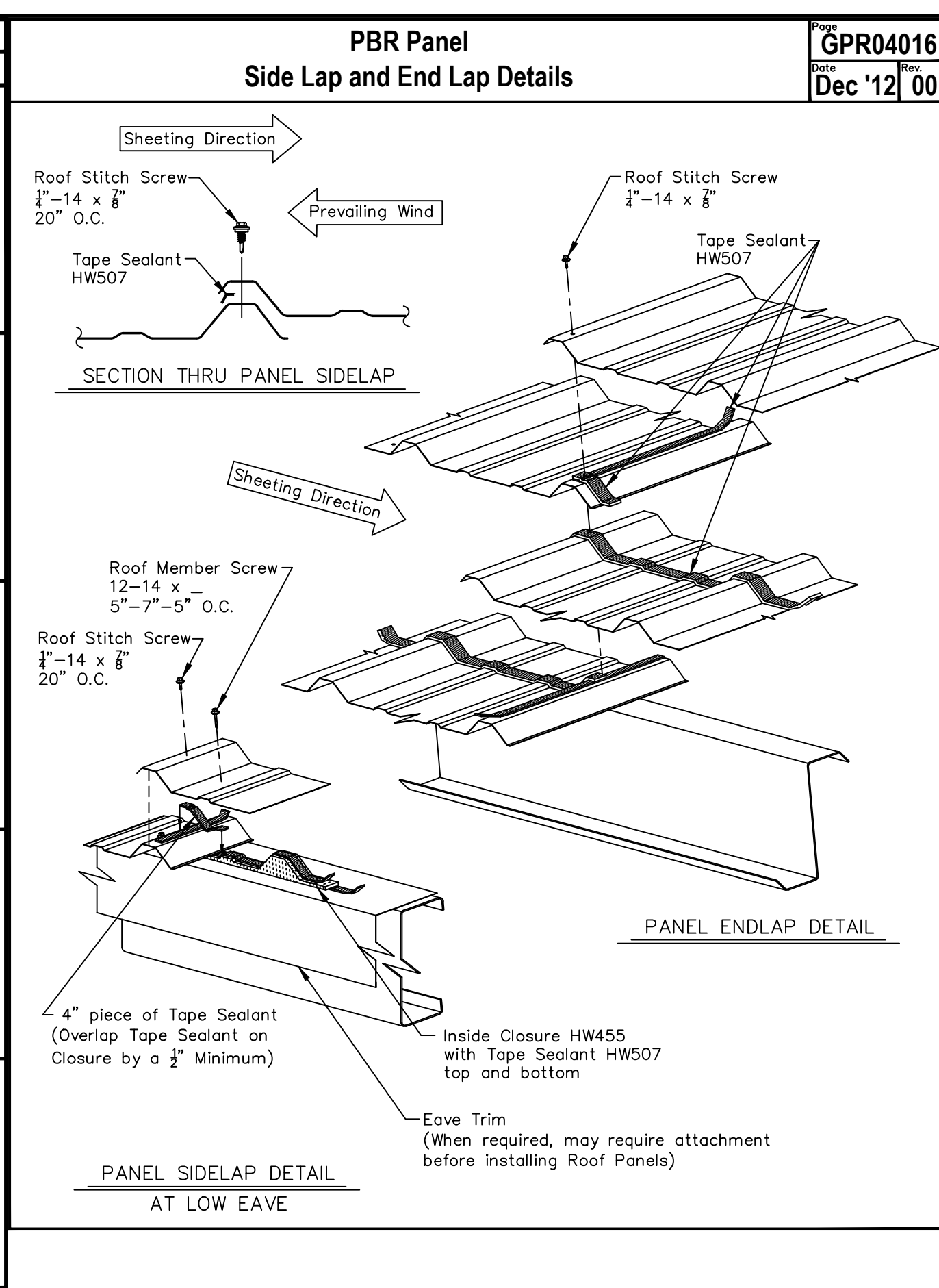


Fasteners		
SHF. No. G000004 DATE Mar 26 02 REV. 02		
FASTENER #271 	FASTENER #24 	FASTENER #228
FASTENER #14 	FASTENER #14A 	FASTENER #226
FASTENER #43 	FASTENER #43L 	FASTENER #HW399
FASTENER #44 	FASTENER #44L 	FASTENER #35

PBR - PBU - PBA - VISTASHADOW Panel Fasteners		
SHF. No. G000006 DATE FEB '11 01 REV. 01		
Member Screw Fastener #17A 12-14 x 1 1/4" 5/16" Hex Washer Head w/ Washer 	Member Screw Optional Fastener #17B 12-14 x 1 1/2" 5/16" Hex Washer Head w/ Washer 	Stitch Screw Fastener #4A 1/4"-14 x 7/8" 5/16" Hex Washer Head w/ Washer
Roof Fasteners Long Life (Optional At Wall)		
Member Screw Fastener #3 12-14 x 1 1/4" 5/16" Hex Washer Head w/ Washer 	Member Screw Optional Fastener #3A 12-14 x 1 1/2" 5/16" Hex Washer Head w/ Washer 	Stitch Screw Fastener #4 1/4"-14 x 7/8" 5/16" Hex Washer Head w/ Washer
Optional Roof or Wall Fasteners Stainless Steel Cap		
Member Screw Fastener #3SS 12-14 x 1 1/4" 5/16" Hex Washer Head w/ Washer 	Member Screw Optional Fastener #3ASS 12-14 x 1 1/2" 5/16" Hex Washer Head w/ Washer 	Member Screw Optional Fastener #272SS 12-14 x 2" 5/16" Hex Washer Head w/ Washer
Stitch Screw Fastener #4SS 1/4"-14 x 7/8" 5/16" Hex Washer Head w/ Washer 		

Various Fasteners		
SHF. No. G000009 DATE Jan '12 04 REV. 04		
Fastener #17 12-14 x 1" 5/16" Hex Washer Head w/ Washer 	Fastener #38 1/4"-14 x 7/8" Lap TEK 5/16" Hex Washer Head 	Fastener #268 12-14 x 1 7/8" Standoff Long Life 5/16" Hex Washer Head w/ Washer
Fastener #268SS 12-14 x 1 7/8" Standoff Stainless Steel Cap 5/16" Hex Washer Head w/ Washer 	Fastener #12A 12-14 x 1" DP3 Pancake Head 	Fastener #7 1/4"-20 x 1 1/4" Shoulder DP4 5/16" Hex Washer Head
Fastener #55 12-24 x 1 1/4" DP5 5/16" Hex Washer Head 	Fastener #70 12-24 x 1 1/2" DP5 5/16" Hex Washer Head 	Fastener #142 1/4"-14 x 1 1/2" 5/16" Hex Washer Head
Fastener #76 12-14 x 2" 5/16" Hex Washer Head 	Fastener #61 12-14 x 1 1/4" 5/16" Hex Washer Head 	Fastener #1B 1/4"-14 x 1 1/4" 5/16" Hex Washer Head
Fastener #207 12-24 x 1 1/2" DP5 Pancake Head 		



Ch'd	By	Description	Date	Revision

FERRO BUILDING SYSTEMS
103-18292 60TH AVENUE
SURREY, BRITISH COLUMBIA, V5S 3M2
PHONE # 604-530-3324 - FAX # 604-530-9851

Customer:
FERRO BUILDING SYSTEMS LTD.
FCMP STEEL BUILDING, INNISFAIL AB
HIGHWAY 2, EXIT 365 EAST
INNISFAIL, AB T4G, T5B, CN

Project Name & Location:
FCMP STEEL BUILDING, INNISFAIL AB
HIGHWAY 2, EXIT 365 EAST
INNISFAIL, AB T4G, T5B, CN

Drawing Status:
 Preliminary (Not For Construction)
 For Approval
 For Construction Permit
 For Erector Installation

Scale: NOT TO SCALE
 Drawn by: RJA 2/28/13
 Checked by: 2207 3/7/13
 Project Engineer:
 Job Number: 12-B-93855
 Sheet Number: R8 of 12

The engineer whose seal appears hereon is an employee for the manufacturer for the materials described herein. Said seal or certification is limited to the products designed and manufactured by manufacturer only. The undersigned engineer is not the overall engineer of record for this project.

DRS110 ENST1B