

ISSUED FOR TENDER
NOT FOR CONSTRUCTION

DO NOT SCALE DRAWINGS

Revision/Revision	Description/Description	Date/Date
A	ISSUED FOR TENDER	13 SEP 30

Client/client	Parks Canada Agency	L'Agence Parcs Canada
---------------	---------------------	-----------------------



Project title/Titre du projet
SPRAY RIVER END OF LOOP BRIDGE REPLACEMENT

BANFF NATIONAL PARK, ALBERTA

Approved by/Approuvé par
DPG
Designed by/Concept par
BRCN

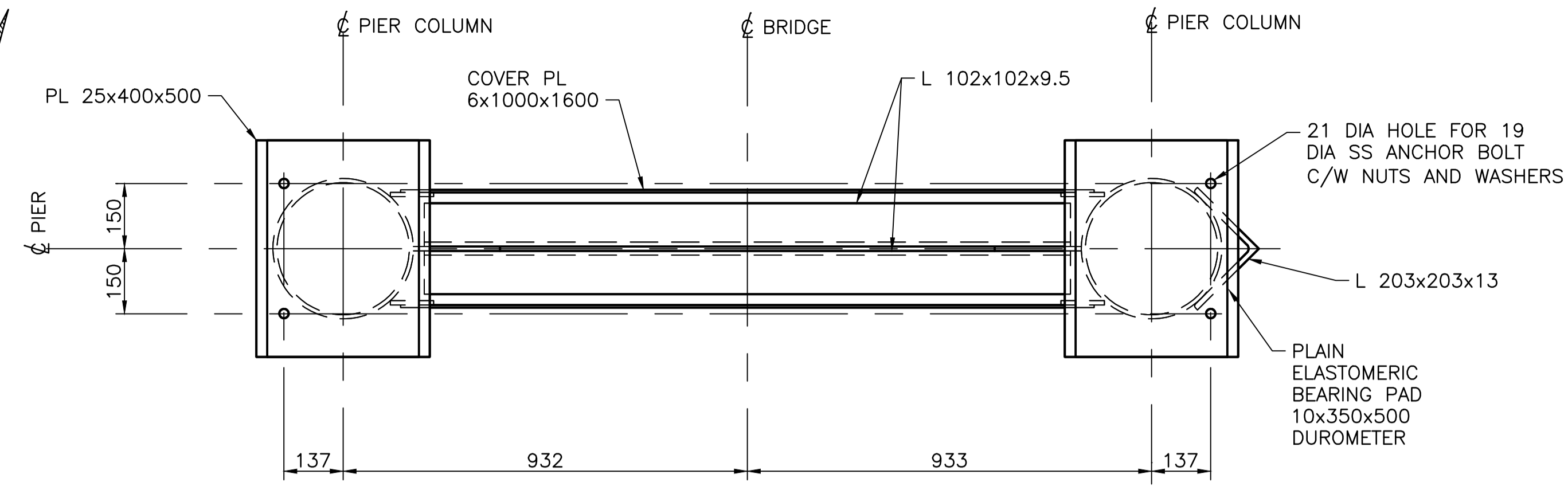
Drawn by/Dessiné par
KAM
PWGSC Project Manager/Administrateur de Projets TPSCG

PWGSC, Architectural and Engineering Resources Manager/Ressources Architectural et de Directeur d'ingénierie, TPSCG

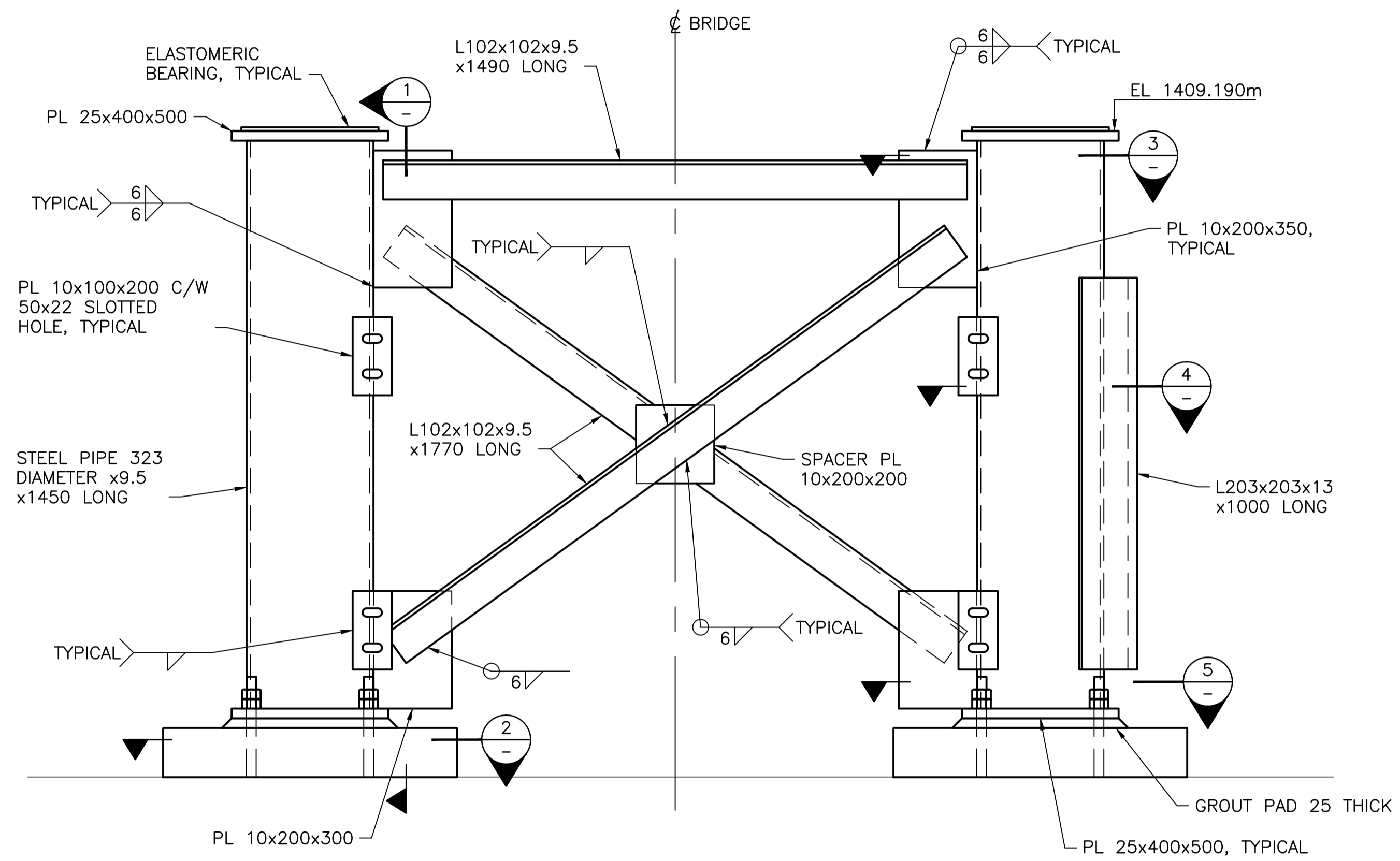
Client/client

Drawing title/Titre du dessin
PIER

Project No./No. du projet 5P421-14-0252	Sheet/Fauille 005 OF 005	Revision no./La Révision no. A
---	---------------------------------------	--

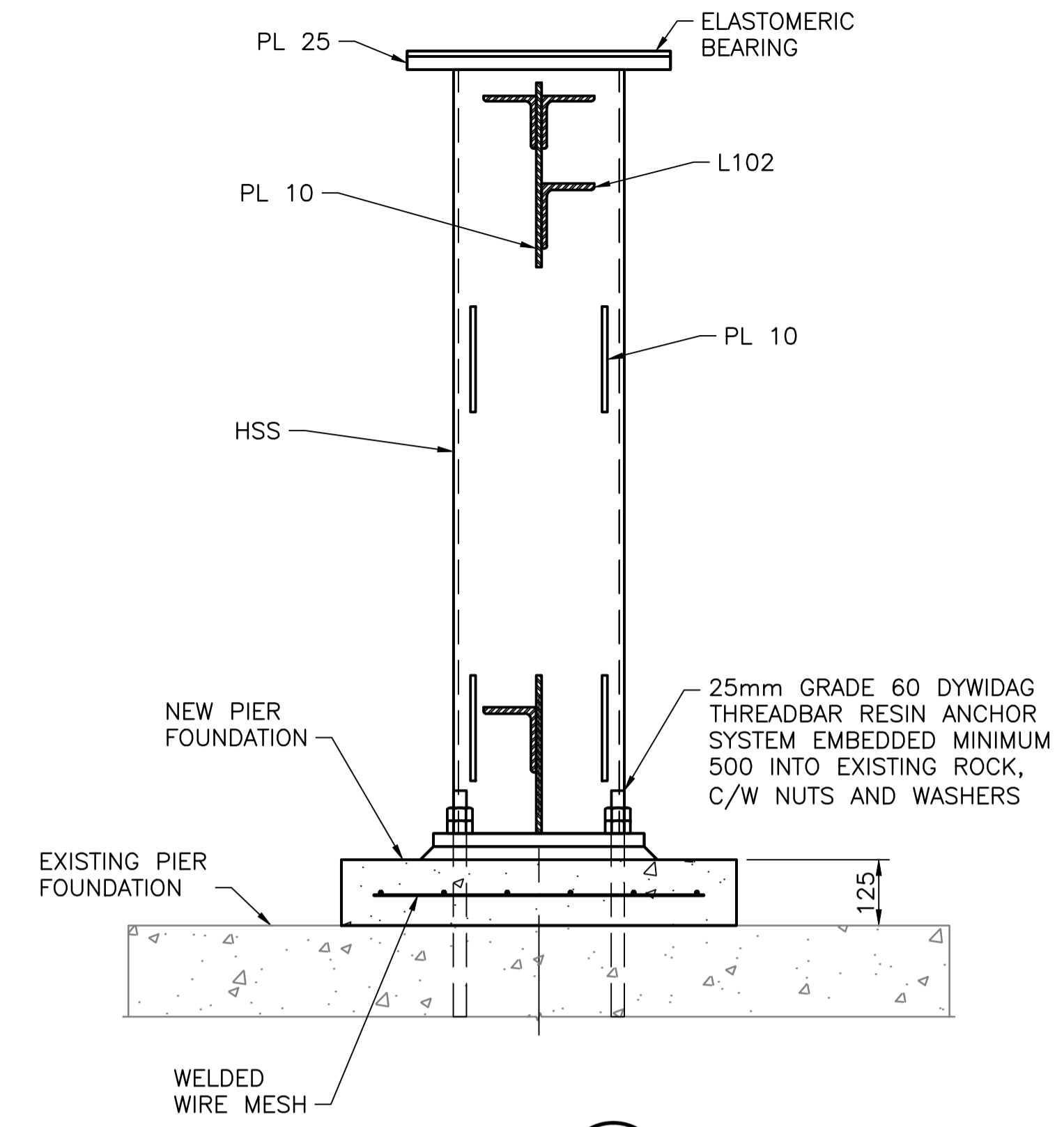


PIER PLAN
1:10

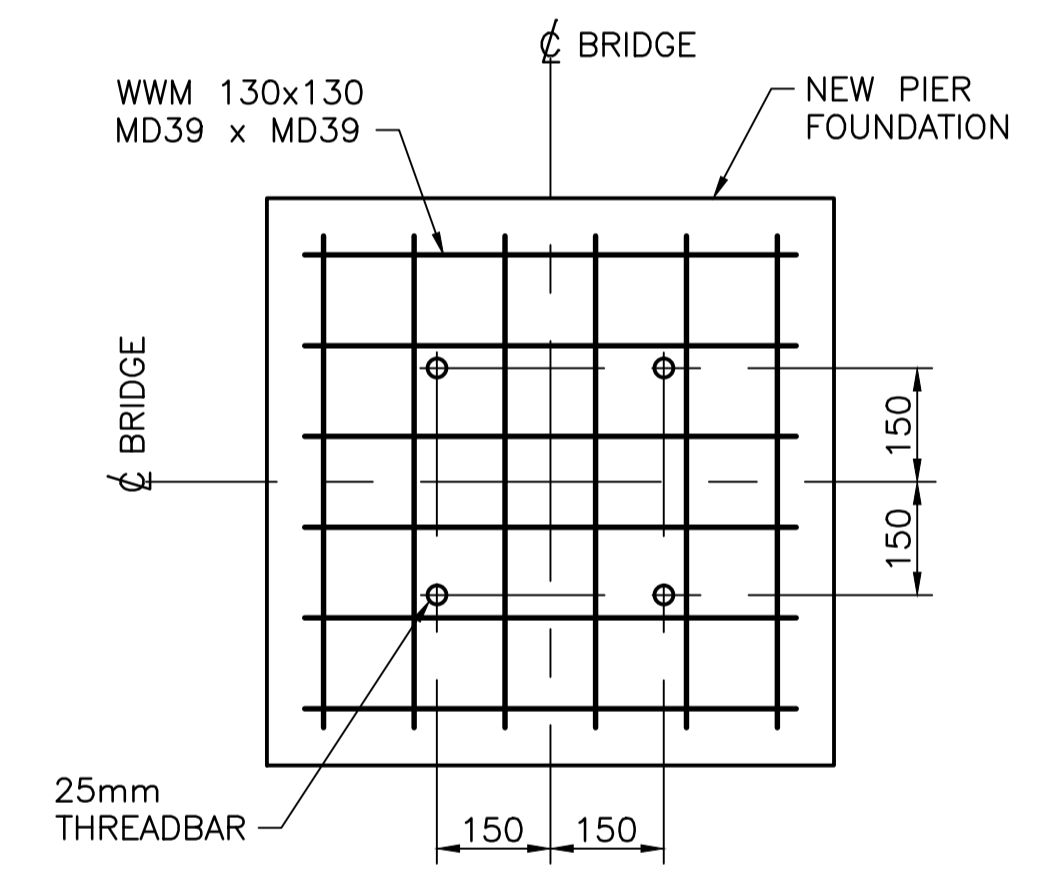


ELEVATION
1:10

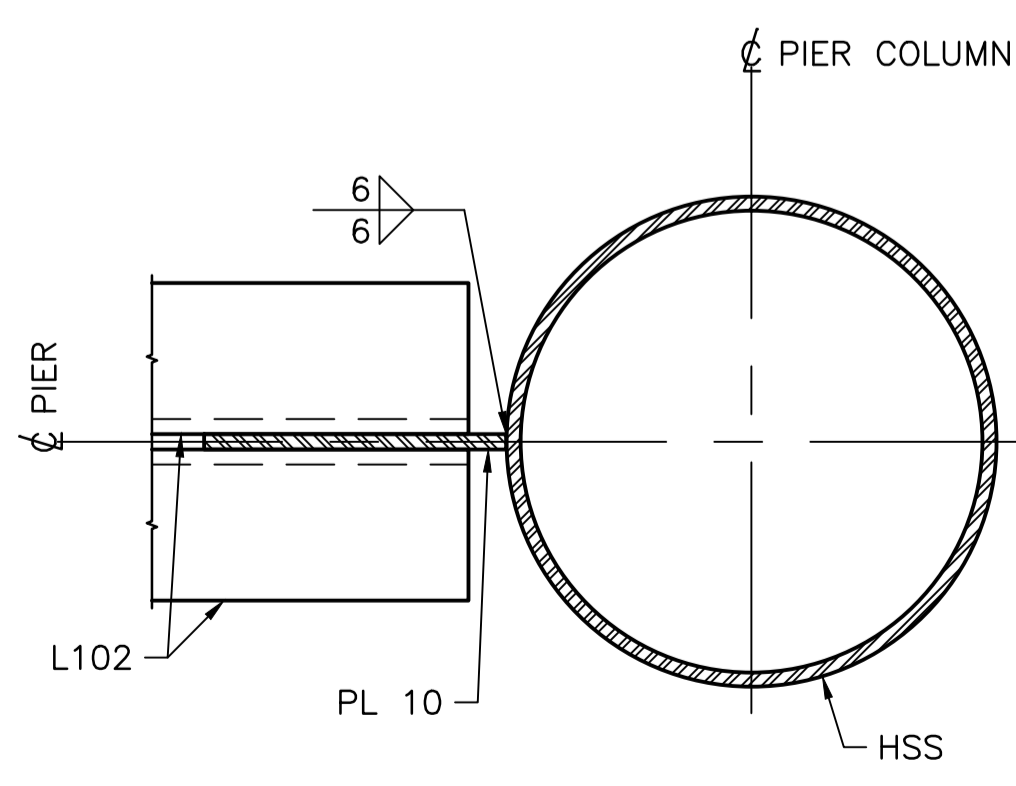
NOTE: COVER PLATE NOT SHOWN FOR CLARITY



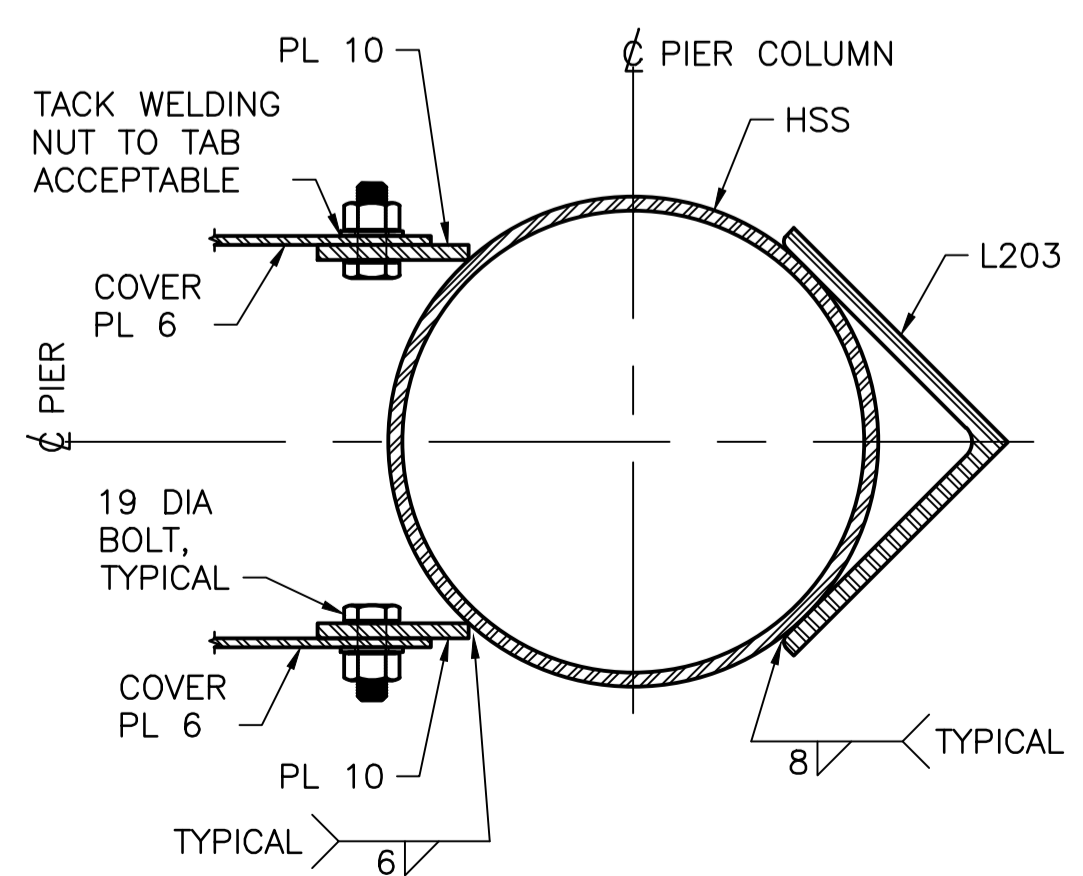
SECTION 1
1:10



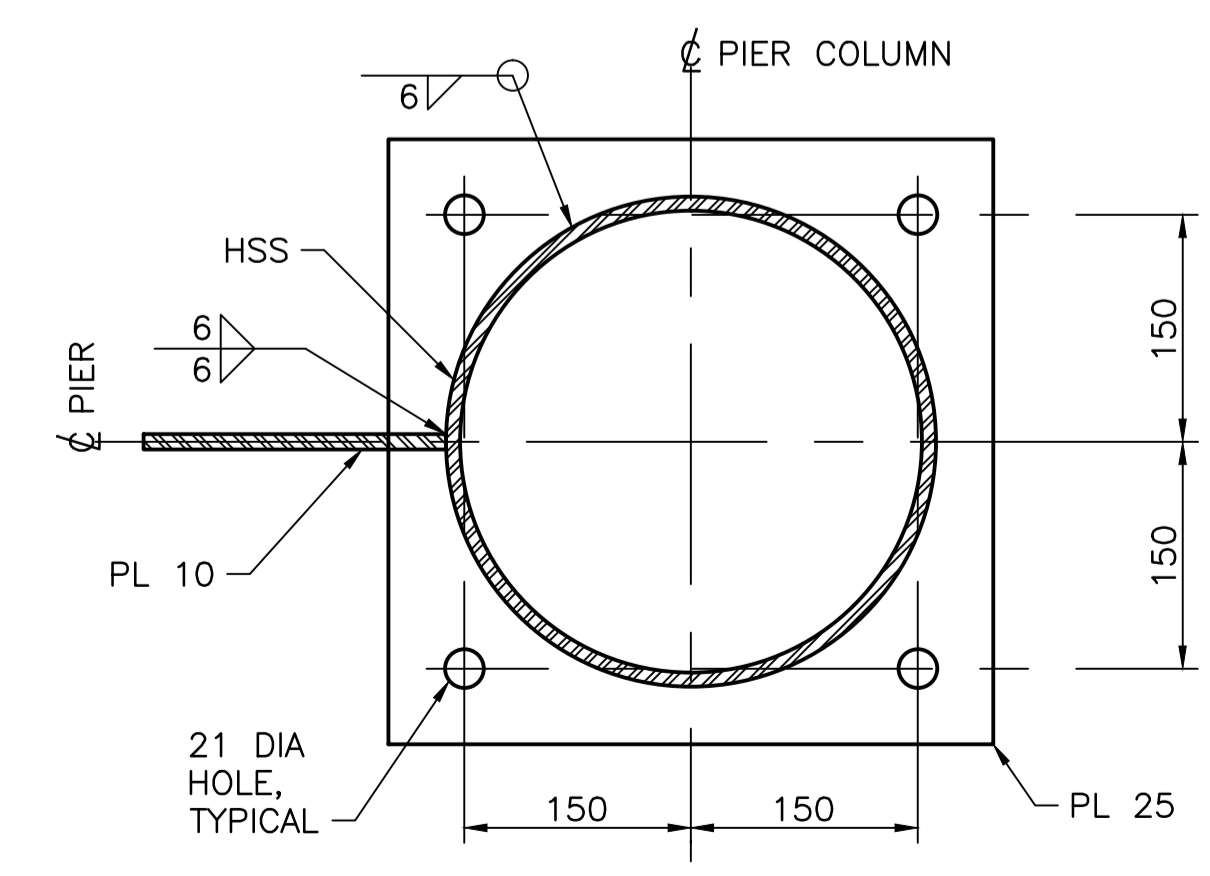
SECTION 2
1:10



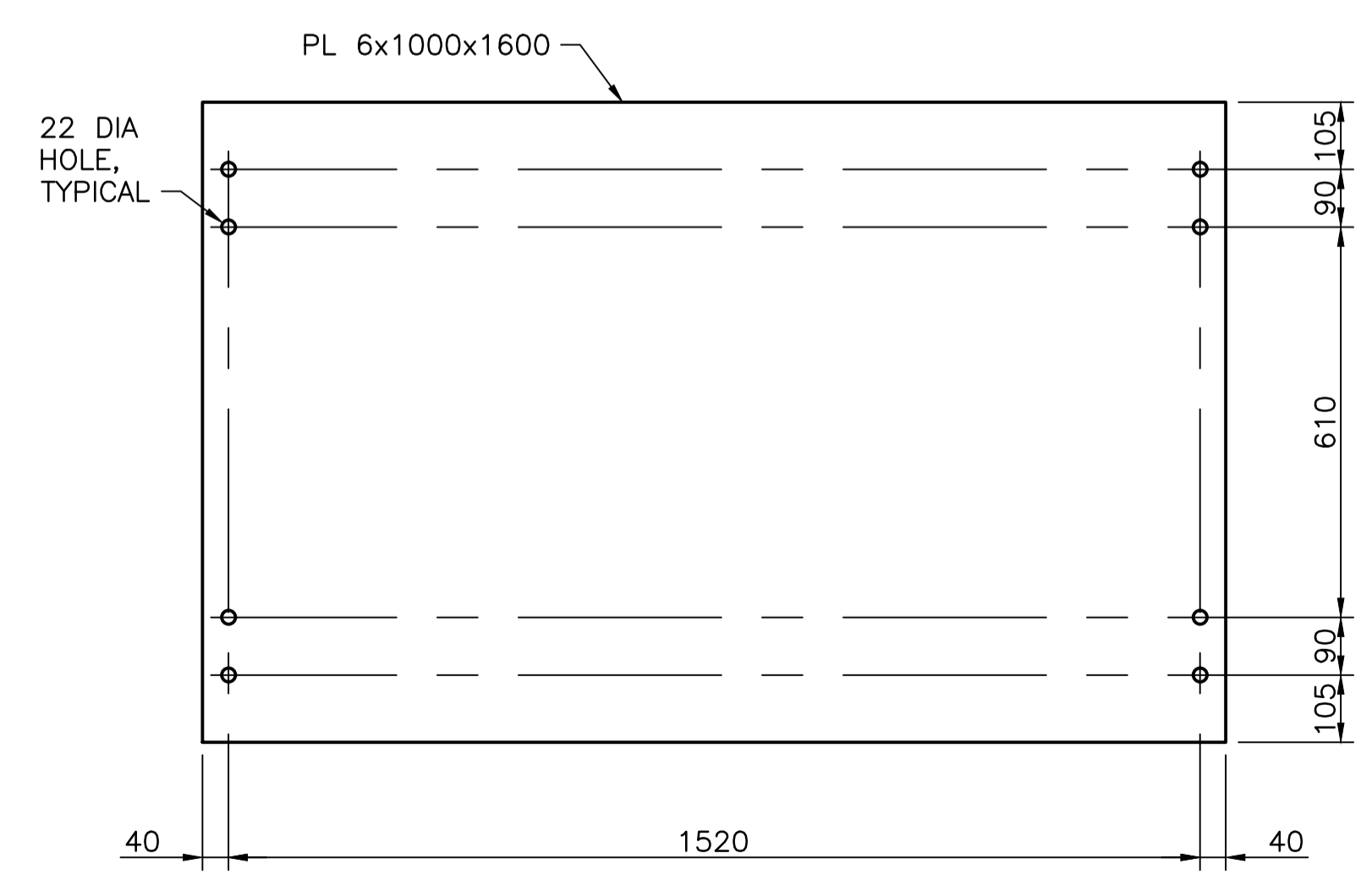
SECTION 3
1:5



SECTION 4
1:5



SECTION 5
1:5



COVER PLATE
1:10

