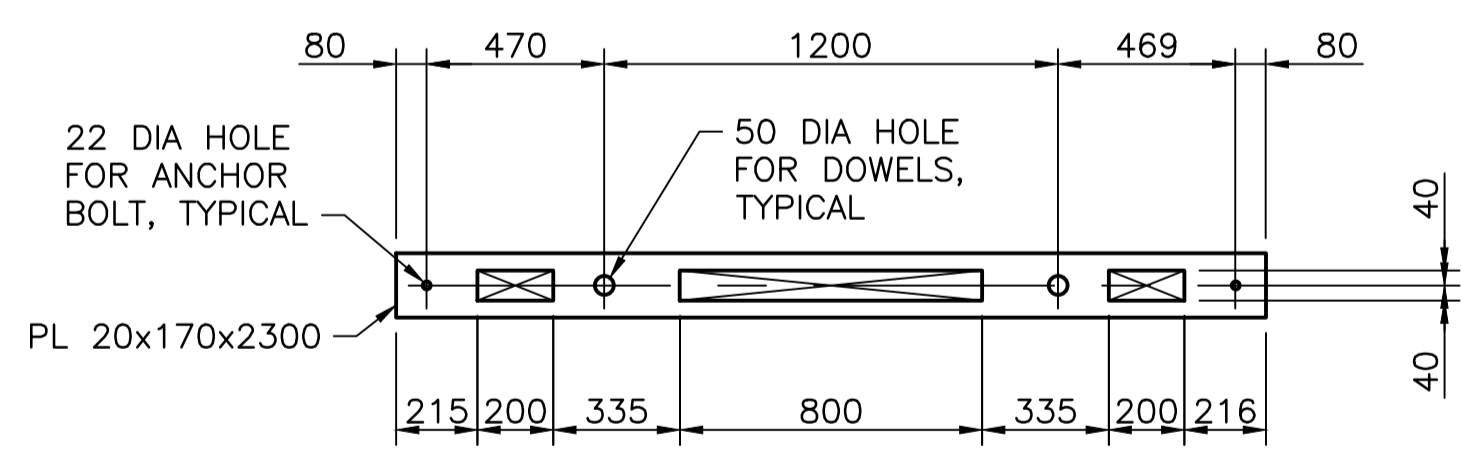
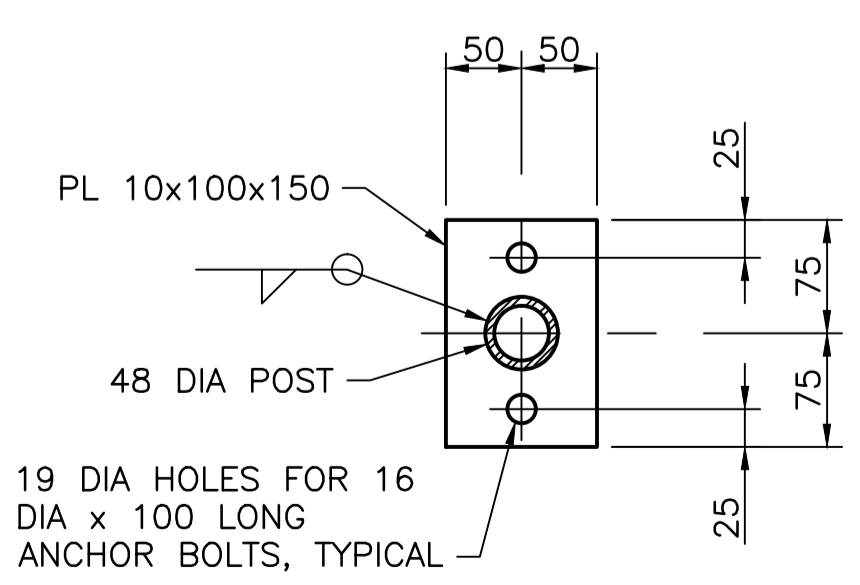
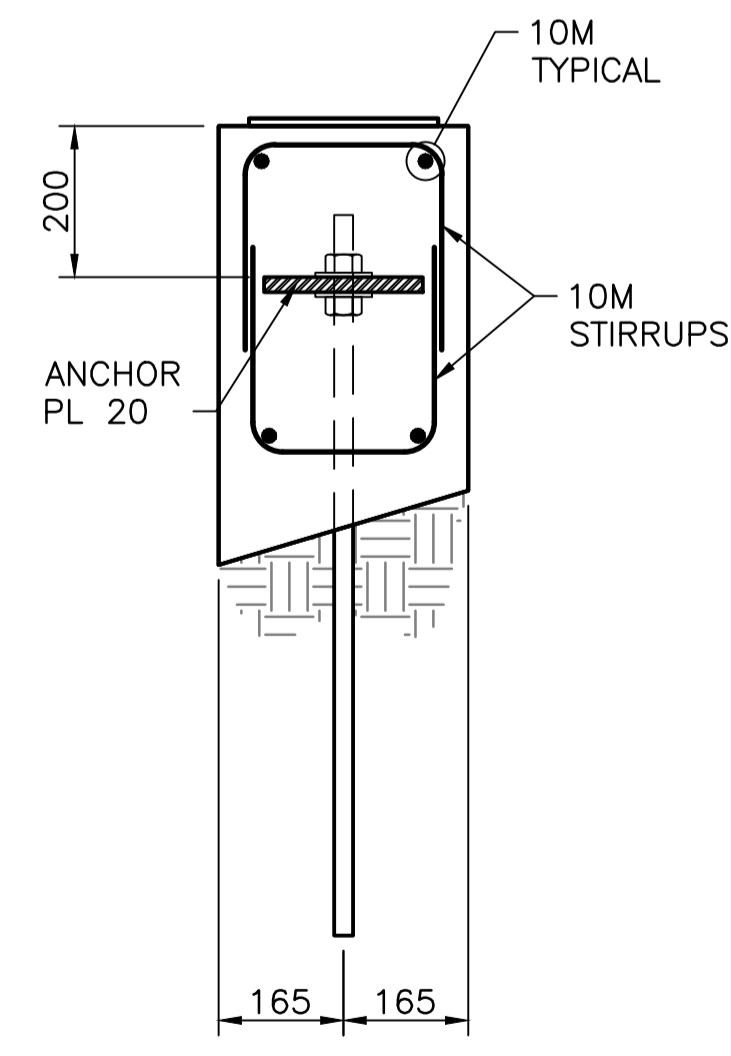
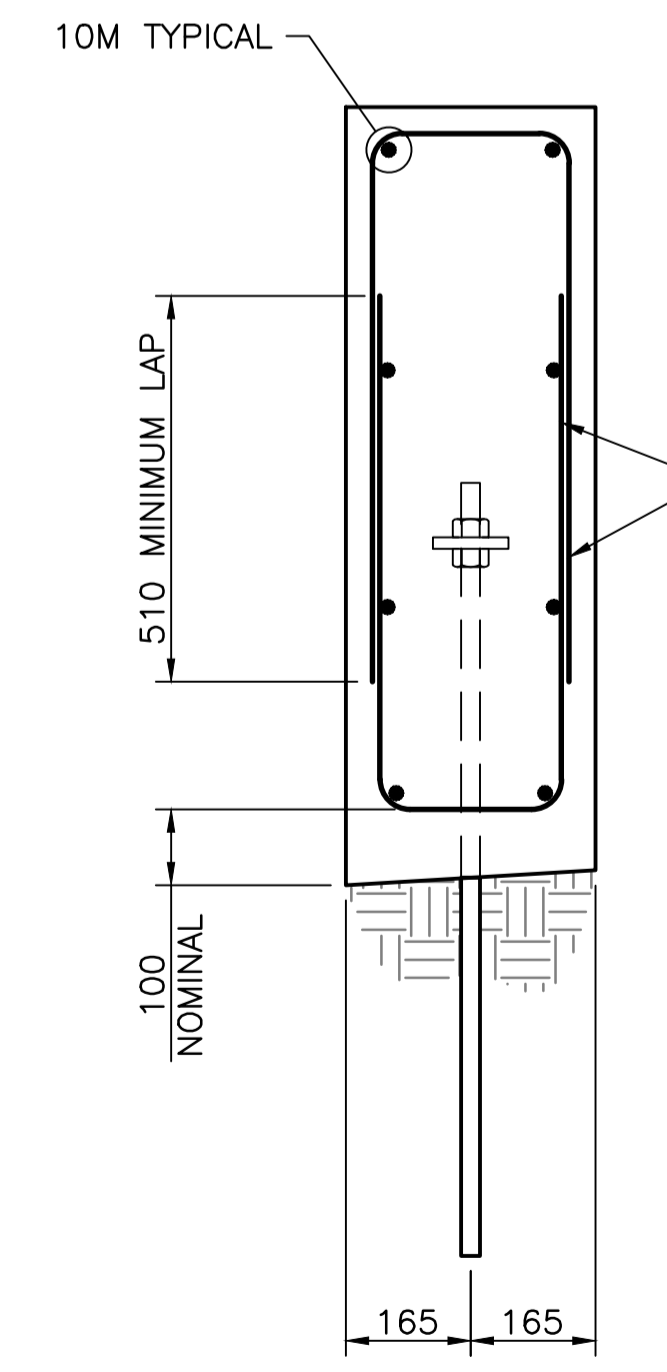
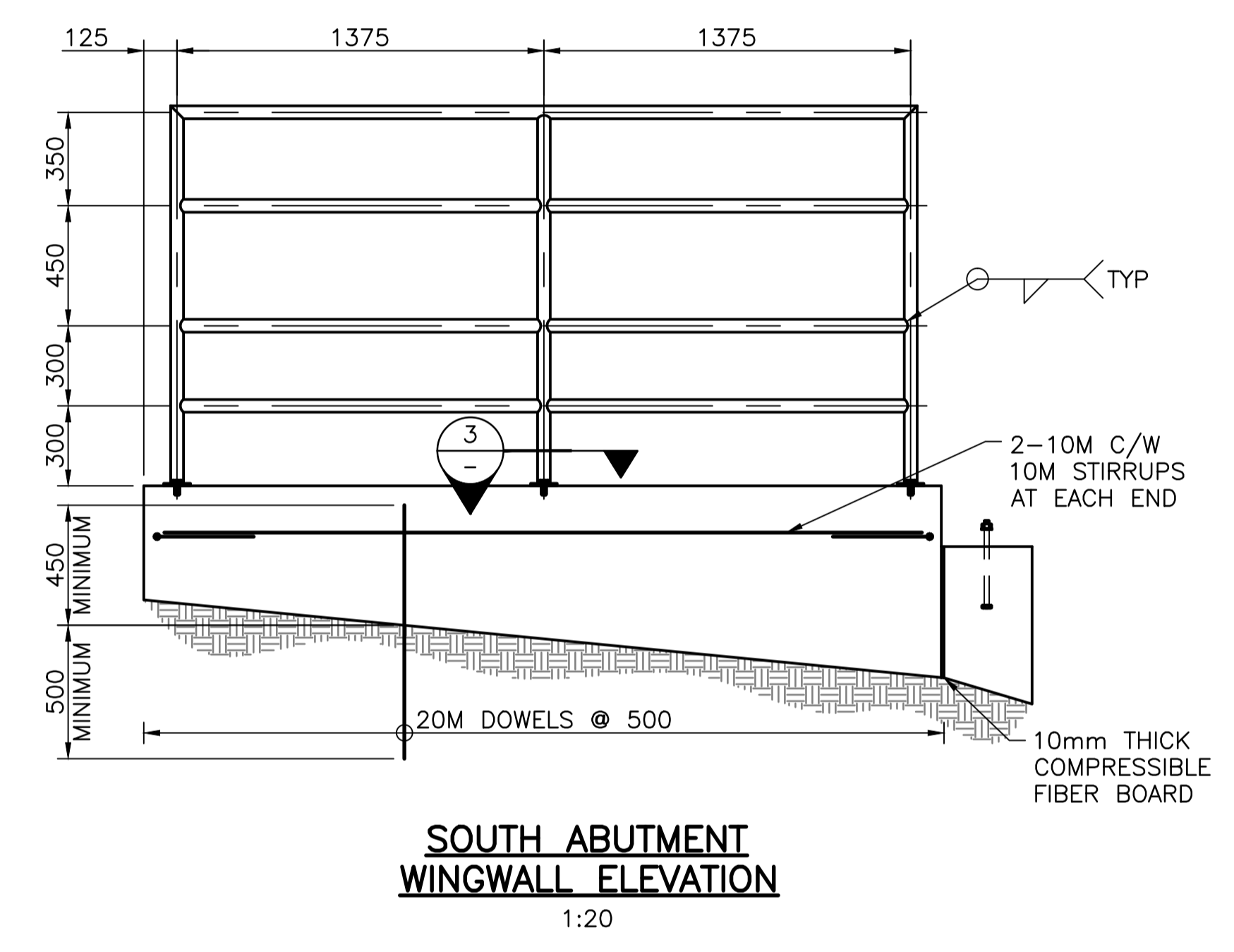
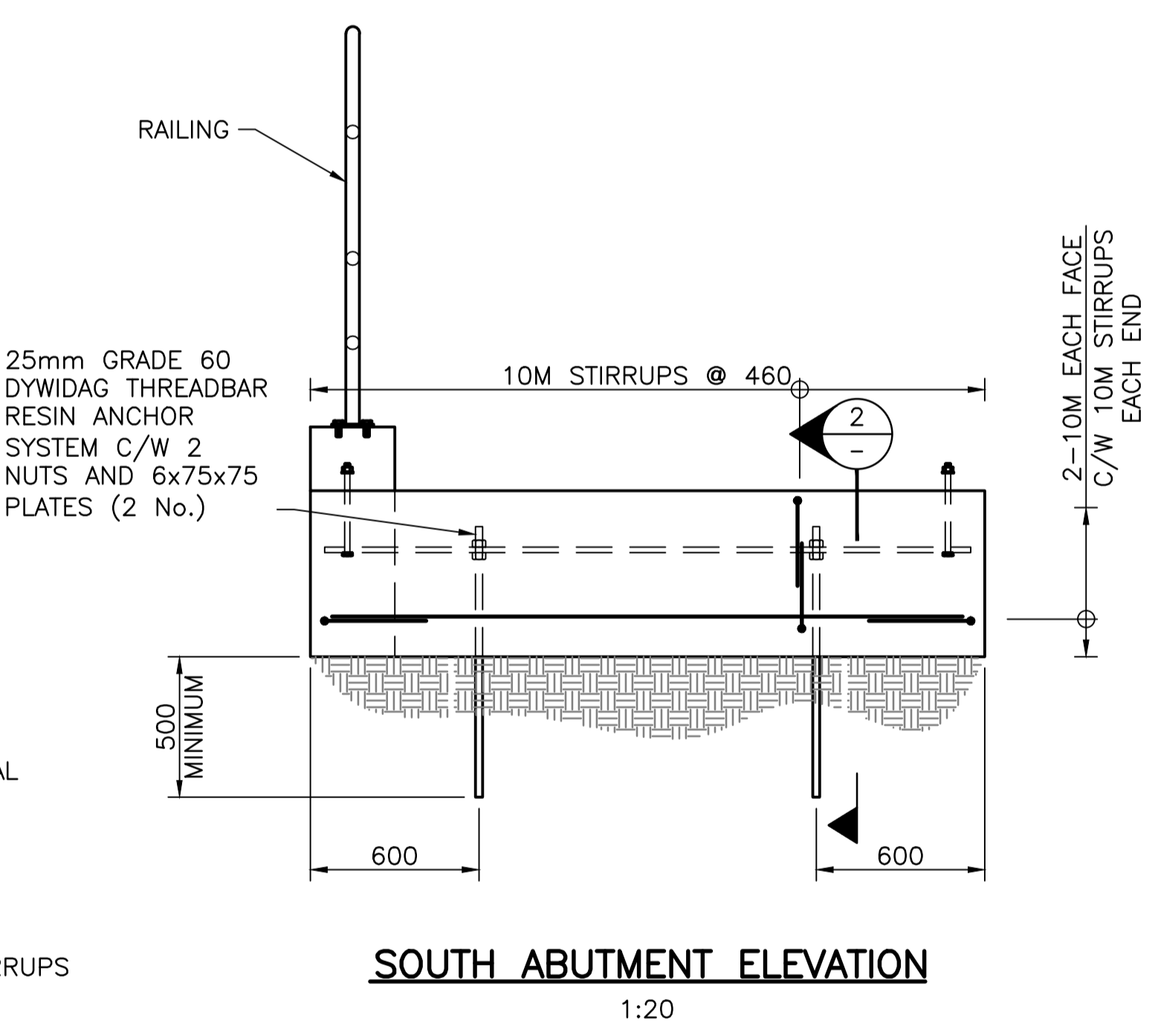
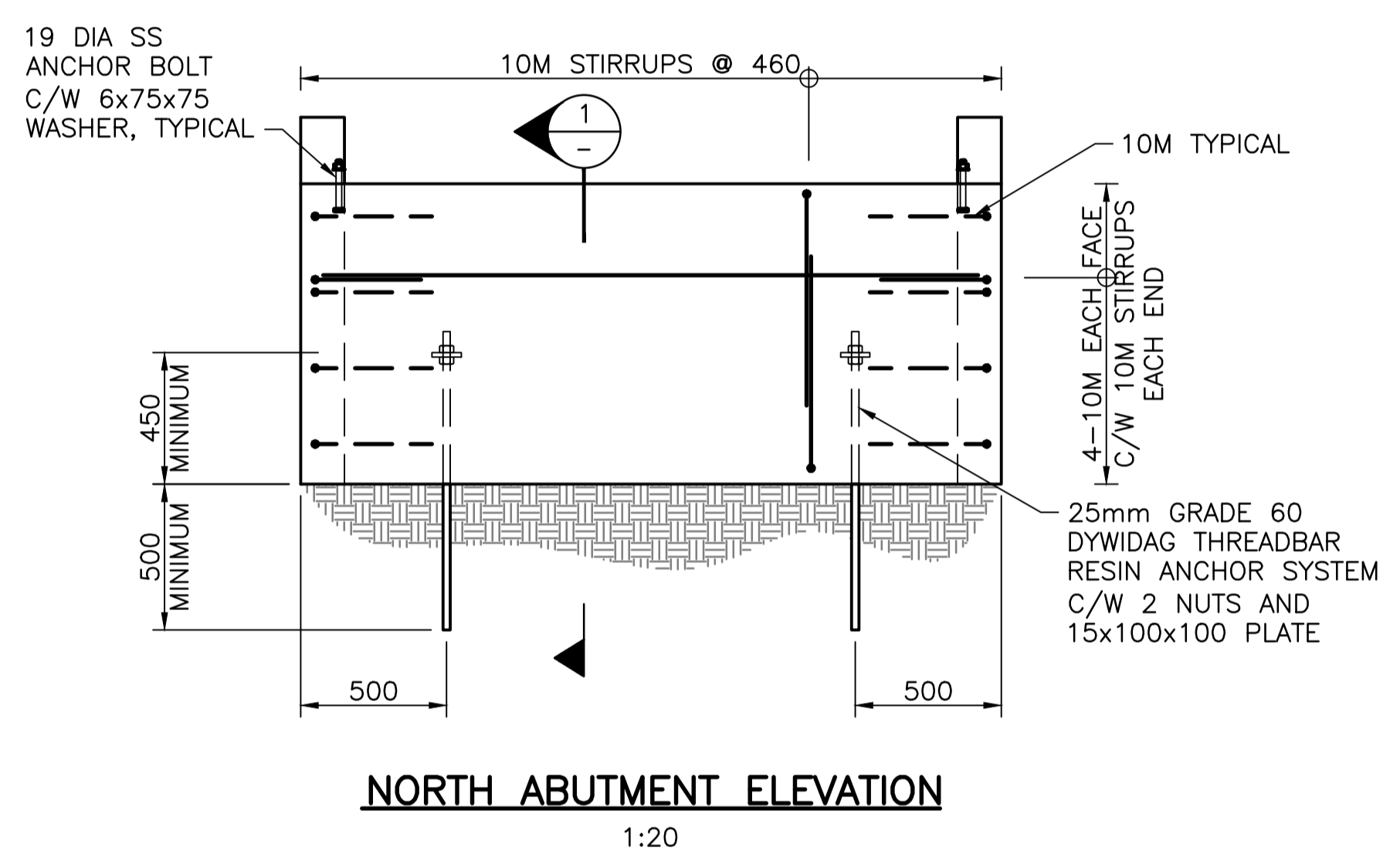
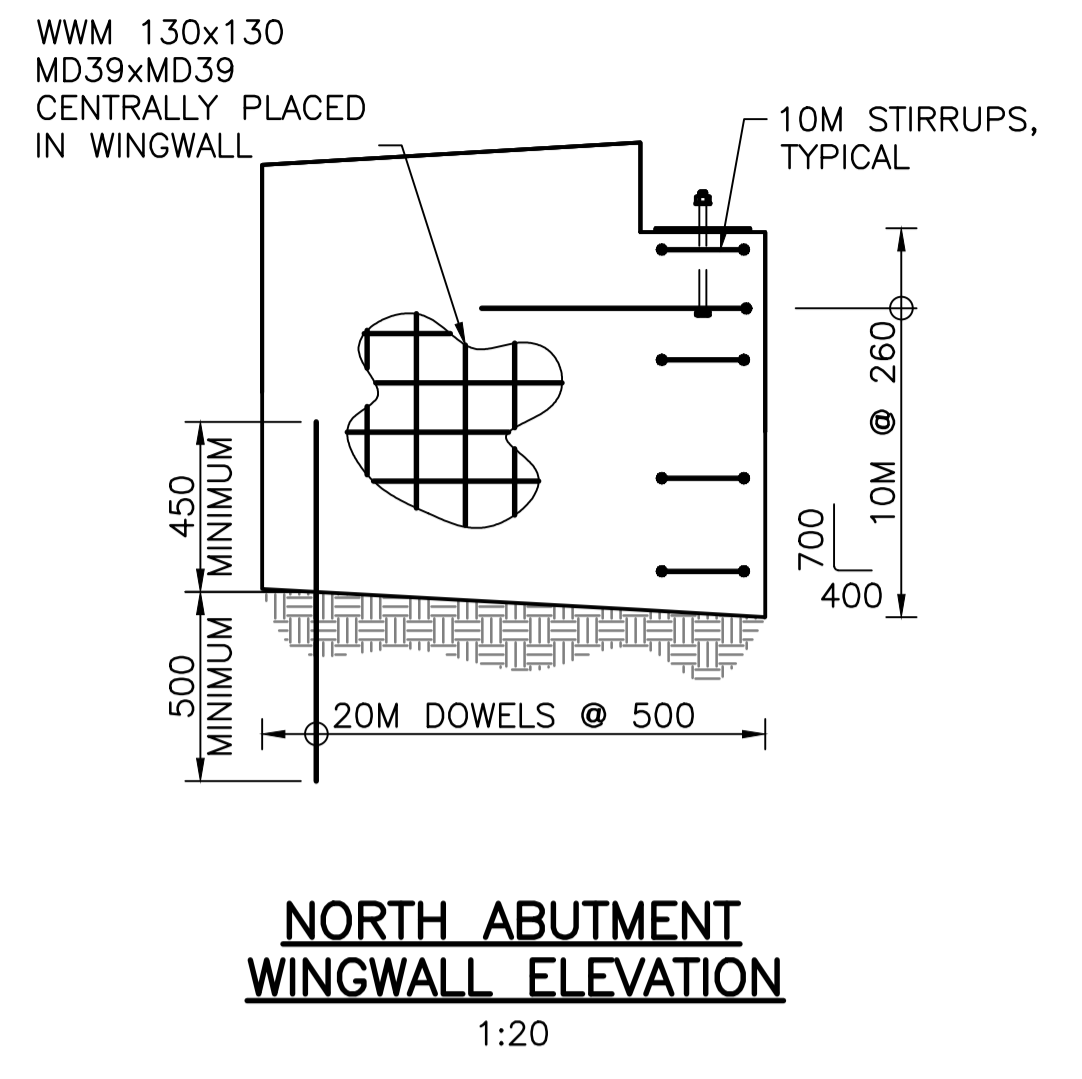
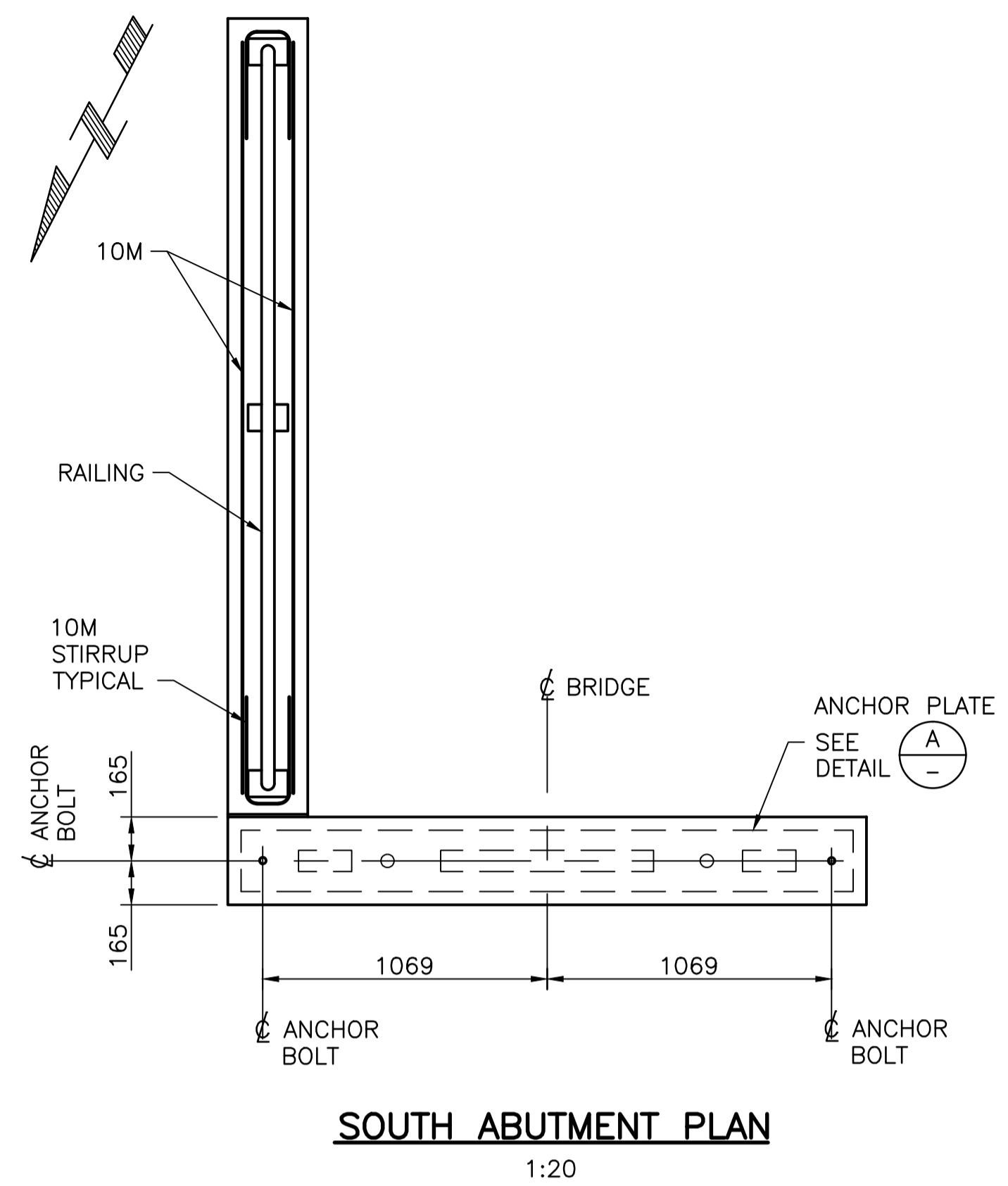
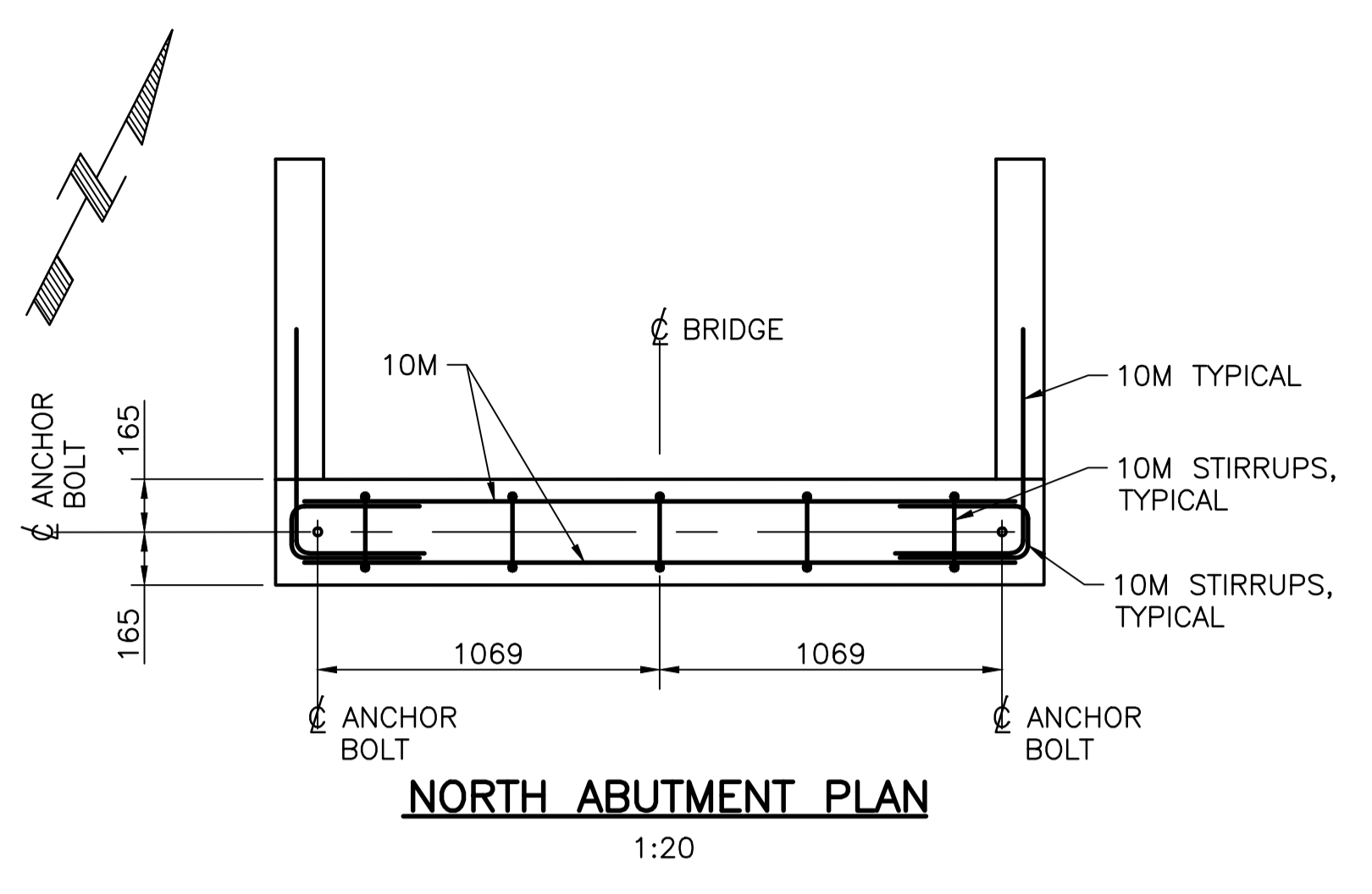


ISSUED FOR TENDER
NOT FOR CONSTRUCTION



DO NOT SCALE DRAWINGS

Revision/	Description/Description	Date/Date
A	ISSUED FOR TENDER	13 SEP 30

Client/client: Parks Canada Agency / L'Agence Parcs Canada



Project title/Titre du projet: SPRAY RIVER END OF LOOP BRIDGE REPLACEMENT
BANFF NATIONAL PARK, ALBERTA

Approved by/Approuvé par: DPG
Designed by/Concept par: BRCN
Drawn by/Dessiné par: KAM
PWGSC Project Manager/Administrateur de Projets TPSGC

PWGSC, Architectural and Engineering Resources Manager/Ressources Architectural et de Directeur d'ingénierie, TPSGC

Drawing title/Titre du dessin: ABUTMENTS

Project No./No. du projet: 5P421-14-0252	Sheet/Fauille: 004 OF 005	Revision no./La Révision no.: A
--	---------------------------	---------------------------------