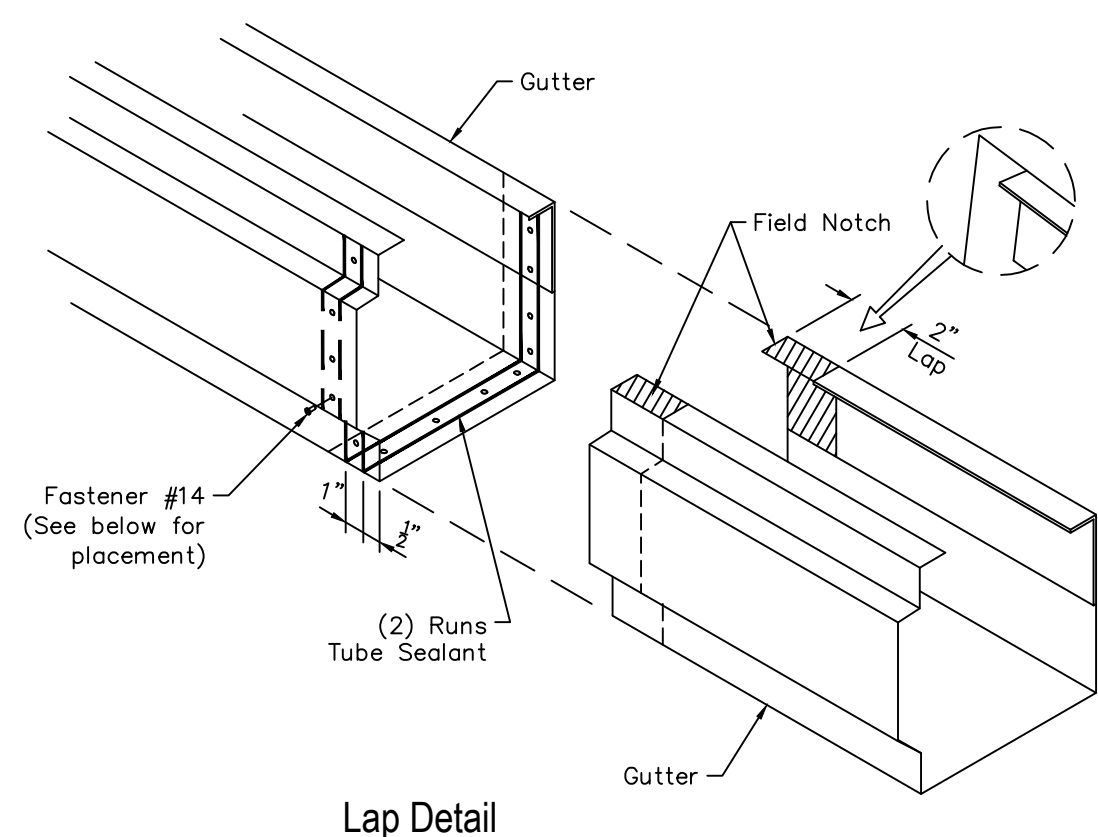
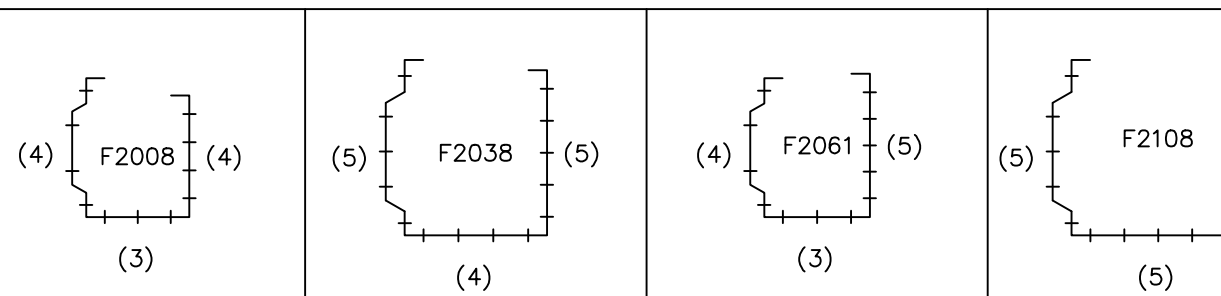
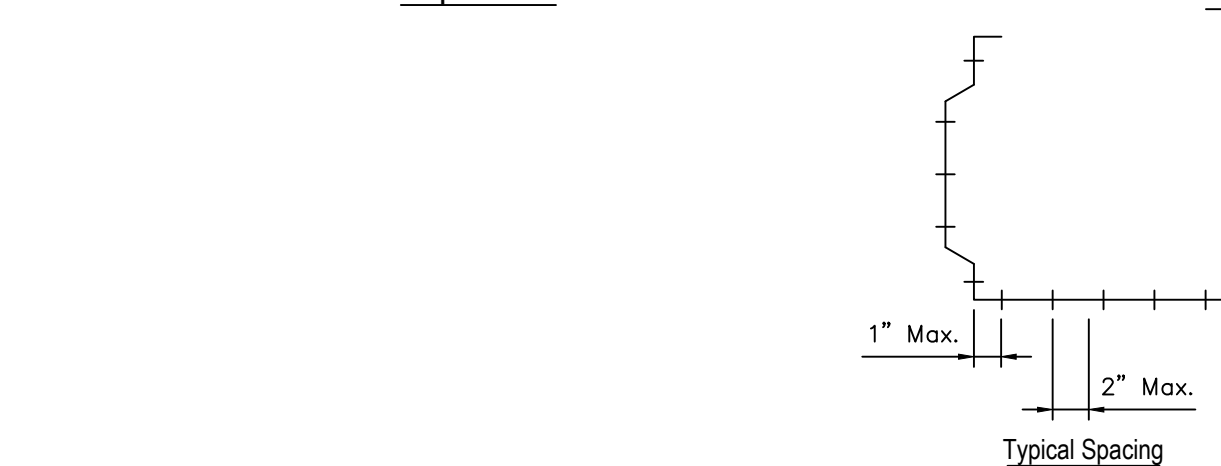


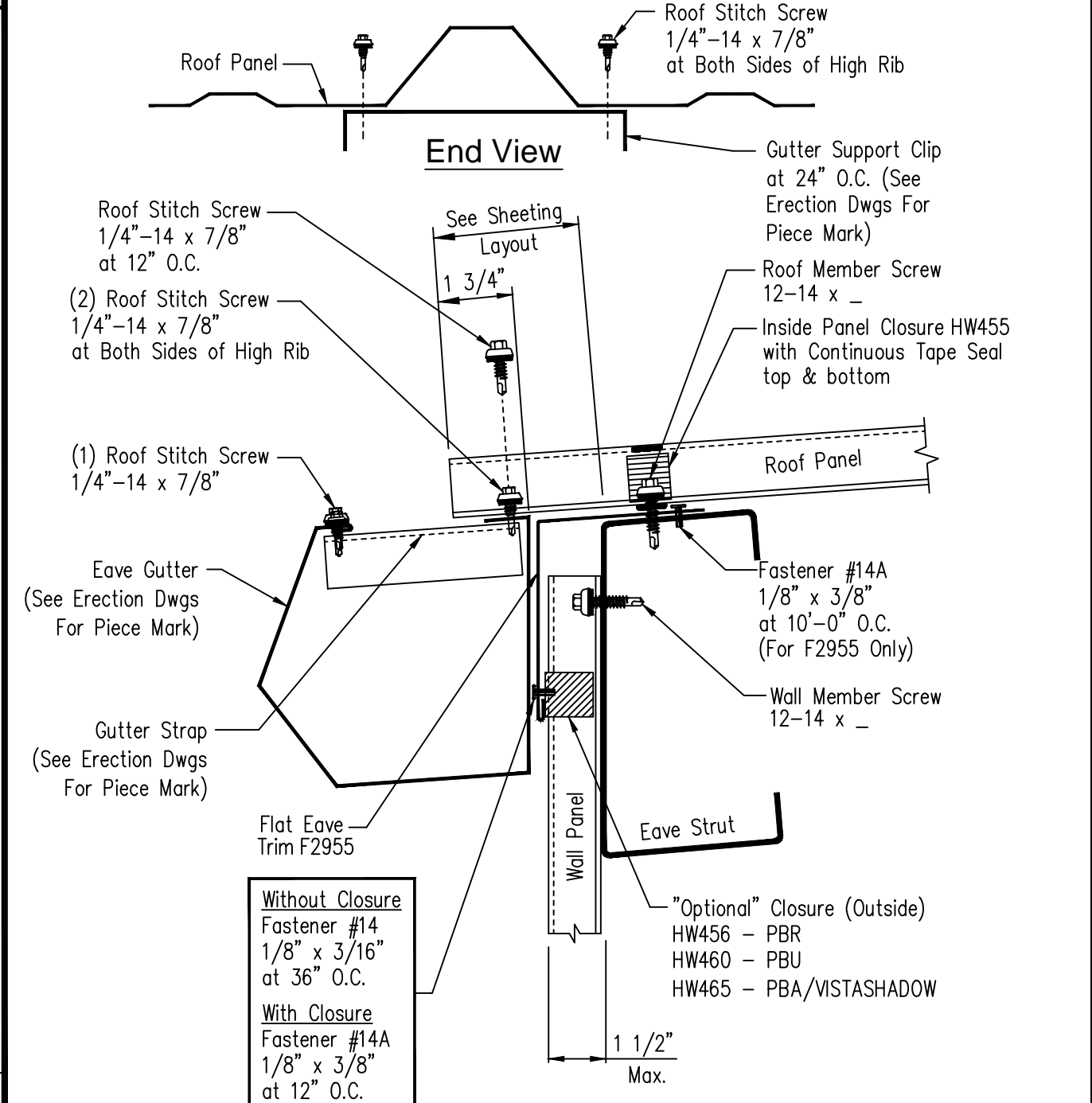
	GUTTER	GUTTER LAP	GUTTER CAP	EXPANSION COVER	GUTTER CLIP
	F2061	2" LAP	F2062	F2063/F2064	F2111
	Roof Stitch Screw 1/4"-14 x 7/8" at 12" O.C.	56" Tube Sealant (12) Fastener #14 Trim Color	29" Tube Sealant (12) Fastener #14 Trim Color	(11) Fastener #14 Trim Color	(2) Roof Stitch Screw Roof Color (1) Roof Stitch Screw Trim Color
1/2" and 1/2" Wall Panel	RAKE	RAKE LAP	RAKE CAP	Rake End Cap	GABLE CLOSURE
	F2367	2" LAP	F2372	F2379	F2372
	Roof Stitch Screw 12" O.C. Wall Stitch Screw 12" O.C. Trim Color	22" Tube Caulking (5) Fastener #14 (3) Roof Stitch Screw Trim Color	22" Tube Sealant (5) Fastener #14 (3) Roof Stitch Screw Trim Color	Trim Color (See Rake/Gutter Outside Corner for Fasteners)	(12) Roof Stitch Screw (3) Wall Stitch Screw Trim Color
1/2" and 1/2" Wall Panel	HIGHSIDE	HIGHSIDE LAP	OUTSIDE CORNER	INSIDE CORNER	
	F2653	2" LAP	Right as Shown	Field Work	
	Roof Stitch Screw 12" O.C. Wall Stitch Screw 12" O.C. Trim Color	24" Tube Sealant (6) Fastener #14 (3) Roof Stitch Screw Trim Color	24" Tube Sealant (6) Fastener #14 (3) Roof Stitch Screw Trim Color	24" Tube Sealant (6) Fastener #14 (3) Roof Stitch Screw Trim Color	
	Mitered Rake Gutter	Rake Gutter	Gutter	Gutter	Gutter
	OUTSIDE CORNER	INSIDE CORNER	OUTSIDE CORNER	INSIDE CORNER	
	Right as Shown	Field Work	Field Work	Field Work	
	22" Tube Sealant (19) Fastener #14 (5) Roof Stitch Screw Trim Color	29" Tube Sealant (12) Fastener #14 (3) Roof Stitch Screw Trim Color	29" Tube Sealant (14) Fastener #14 (3) Roof Stitch Screw Trim Color	29" Tube Sealant (14) Fastener #14 (3) Roof Stitch Screw Trim Color	



Lap Detail



Flashing profile may vary dependent upon project order. Attachment as illustrated are applicable for all profiles.

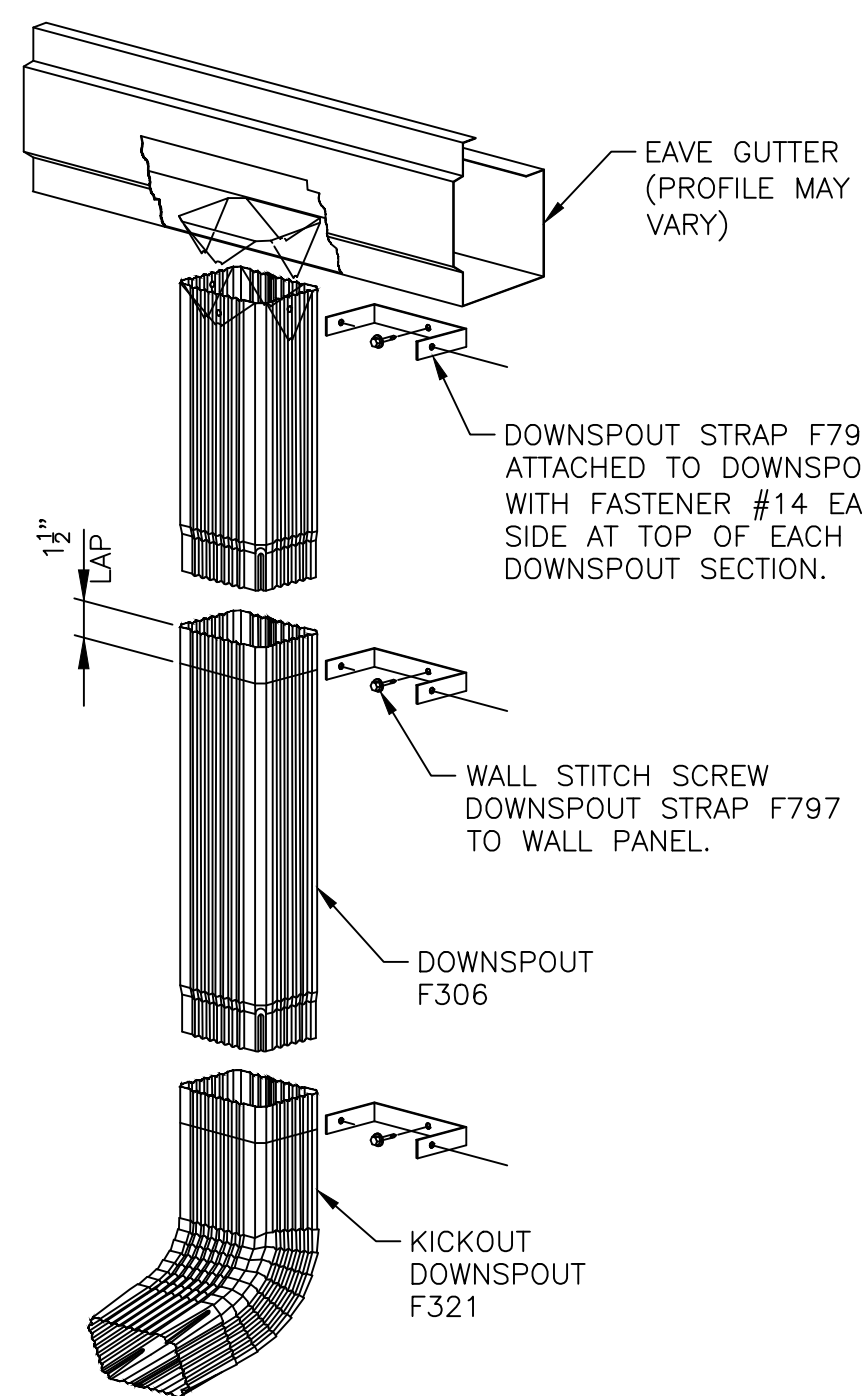


End View

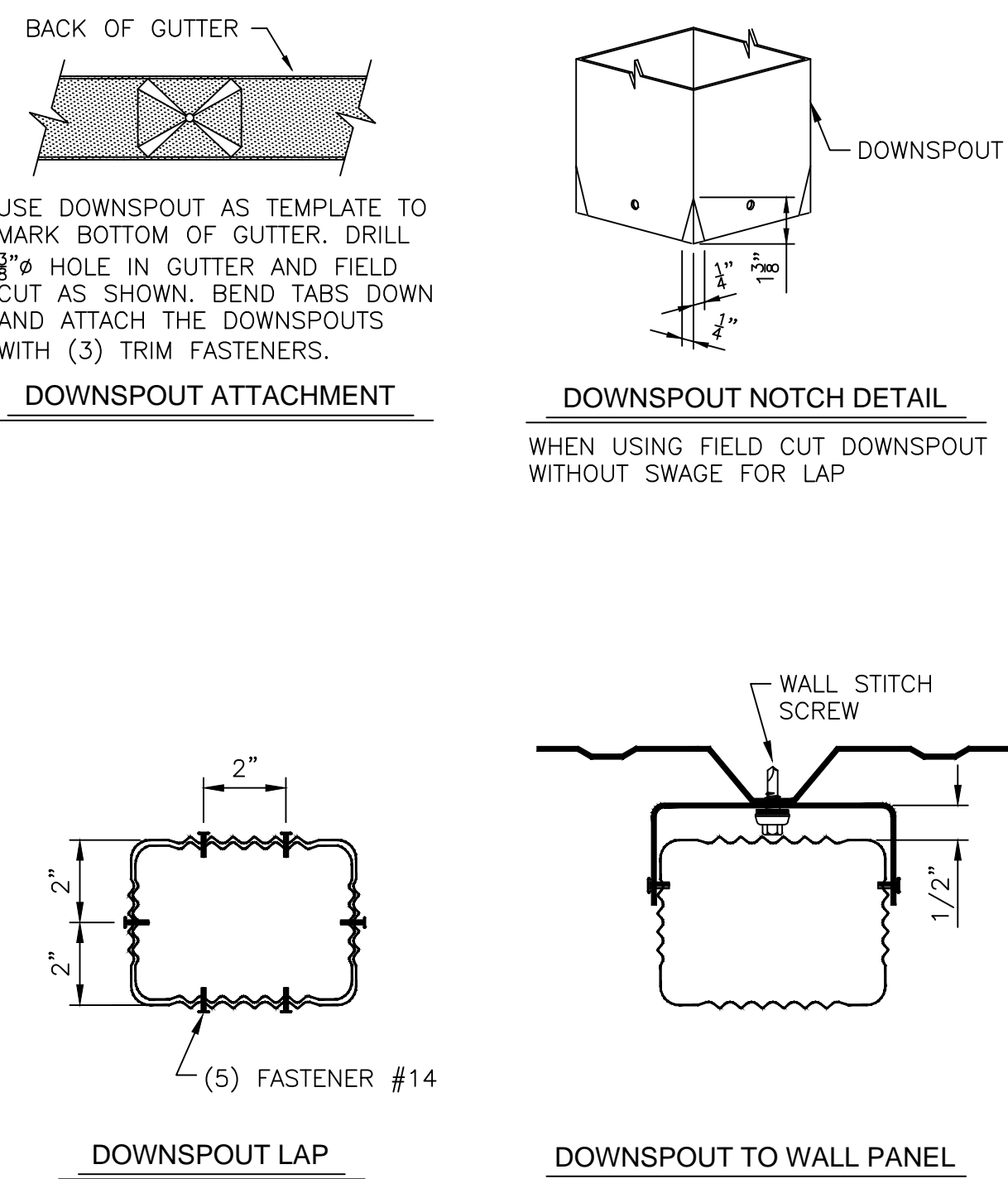
Without Closure
Fastener #14
1/8" x 3/16"
at 36" O.C.

With Closure
Fastener #14A
1/8" x 3/8"
at 12" O.C.

Optional Closure (Outside)
HW456 - PBR
HW460 - PBU
HW465 - PBA/VISTASHADOW



STANDARD DOWNSPOUT DETAIL

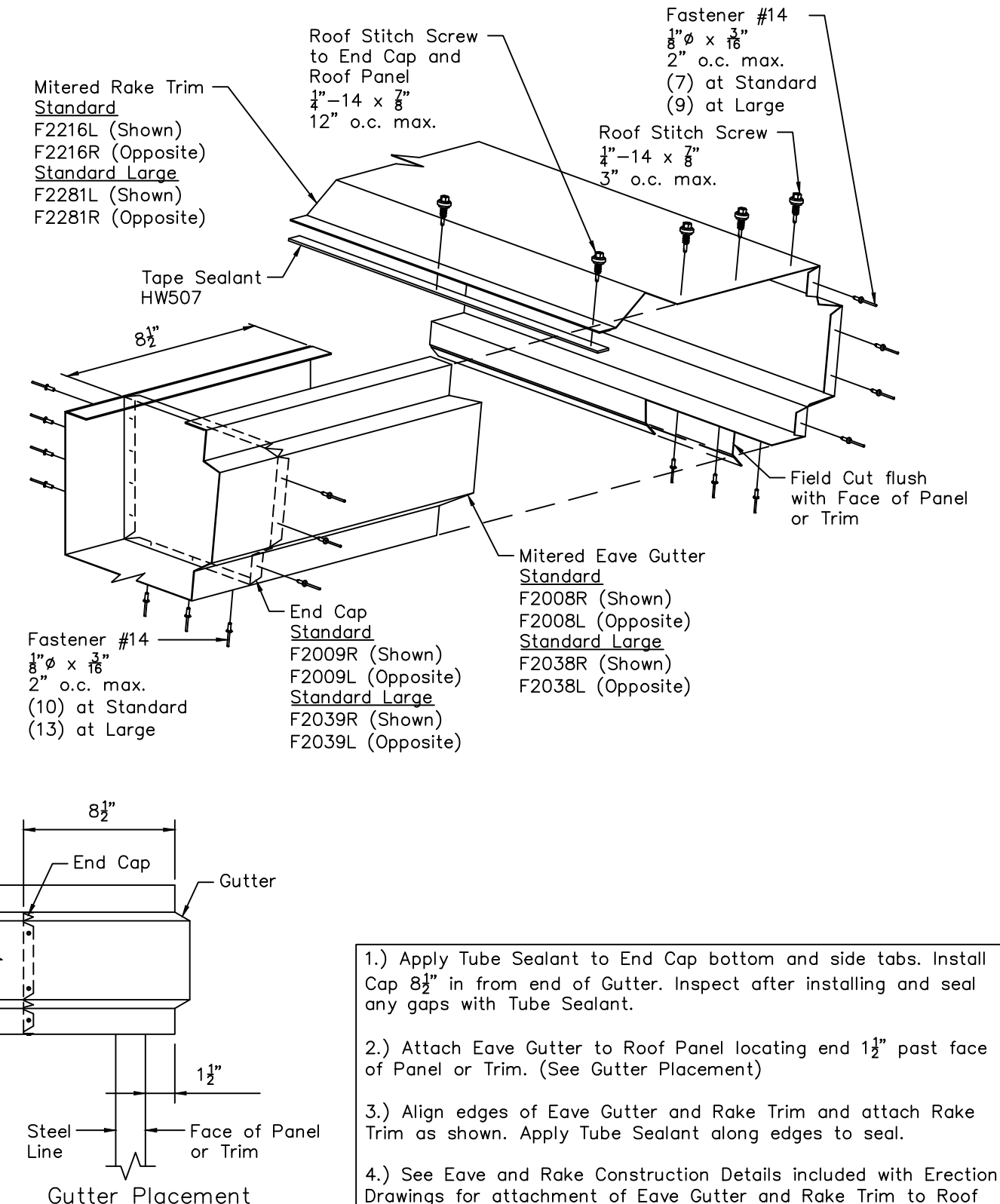


DOWNSPOUT ATTACHMENT

DOWNSPOUT NOTCH DETAIL

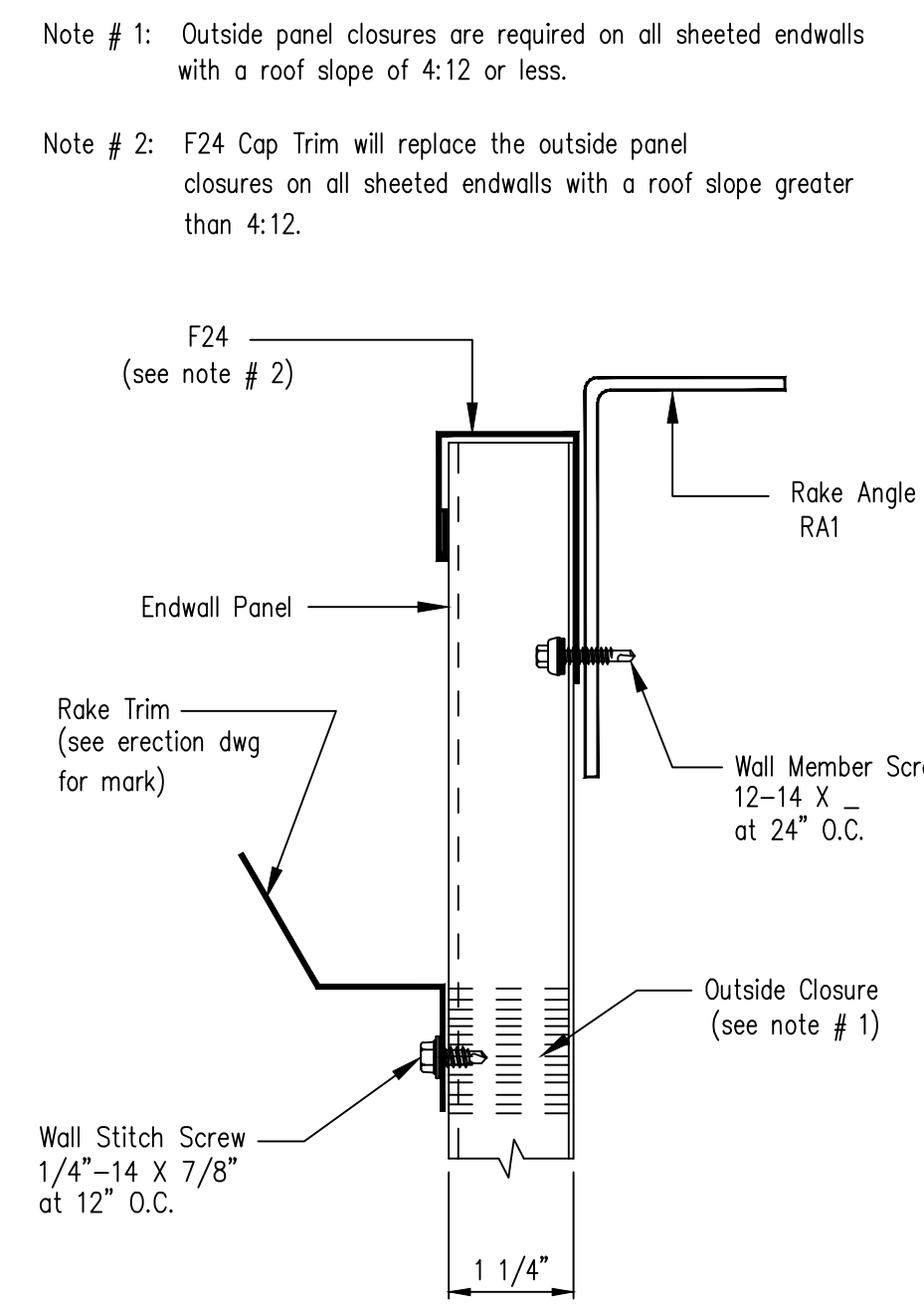
DOWNSPOUT LAP

DOWNSPOUT TO WALL PANEL



Gutter Placement

- 1.) Apply Tube Sealant to End Cap bottom and side tabs. Install Cap 8 1/2" in from end of Gutter. Inspect after installing and seal any gaps with Tube Sealant.
- 2.) Attach Eave Gutter to Roof Panel locating end 1 1/2" past face of Panel or Trim. (See Gutter Placement)
- 3.) Align edges of Eave Gutter and Rake Trim and attach Rake Trim as shown. Apply Tube Sealant along edges to seal.
- 4.) See Eave and Rake Construction Details included with Erection Drawings for attachment of Eave Gutter and Rake Trim to Roof and Walls.



Note # 1: Outside panel closures are required on all sheeted endwalls with a roof slope of 4:12 or less.

Note # 2: F24 Cap Trim will replace the outside panel closures on all sheeted endwalls with a roof slope greater than 4:12.

Ch'd	By	Description	Date	Revision

FERRO BUILDING SYSTEMS
103-18922 60TH AVENUE
SURREY, BRITISH COLUMBIA, V5S 3M2
PHONE # 604-530-3224 - FAX # 604-530-9851

Customer: FERRO BUILDING SYSTEMS LTD.
FCMP STEEL BUILDING, INNISFAIL AB
C/O ROYAL CANADIAN MOUNTED POLICE
INNISFAIL, AB T4G, T5B, CN
5600 11TH AVE
REGINA, SK S4P 3J7, CN

Project Name & Location:
FCMP STEEL BUILDING, INNISFAIL AB
HIGHWAY 2, EXIT 365 EAST
INNISFAIL, AB T4G, T5B, CN

Drawing Status:
 Preliminary (Not For Construction)
 For Approval (Not For Construction)
 For Construction Permit
 For Erector Installation

Scale: NOT TO SCALE
 Drawn by: RJA 2/28/13
 Checked by: 2207 3/7/13
 Project Engineer:
 Job Number: 12-B-93855
 Sheet Number: R11 of 12

The engineer whose seal appears hereon is an employee for the manufacturer for the materials described herein. Said seal or certification is limited to the products designed and manufactured by manufacturer only. The undersigned engineer is not the overall engineer of record for this project.