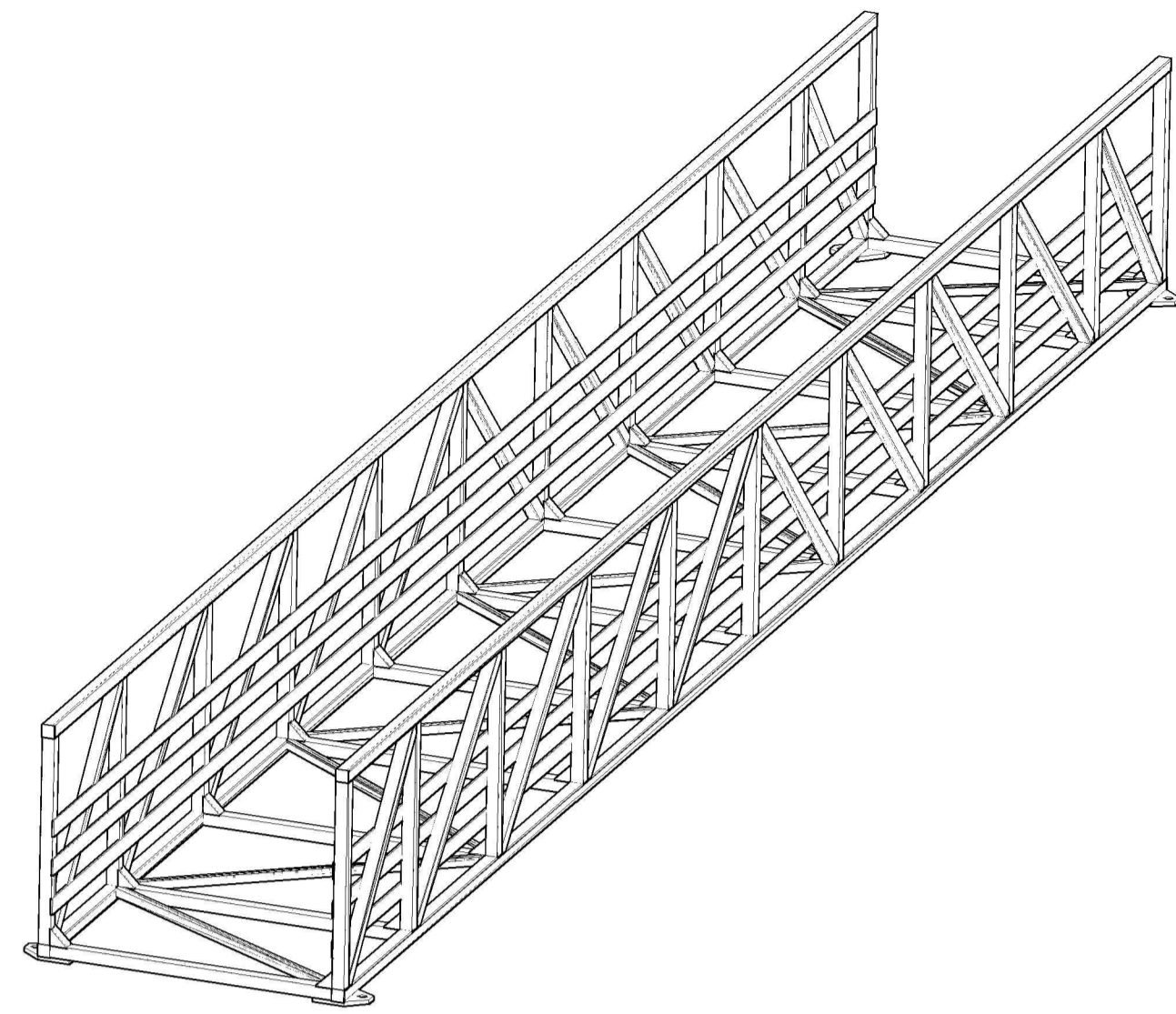
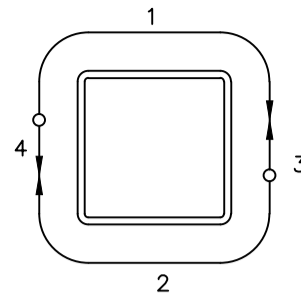


NOT FOR CONSTRUCTION

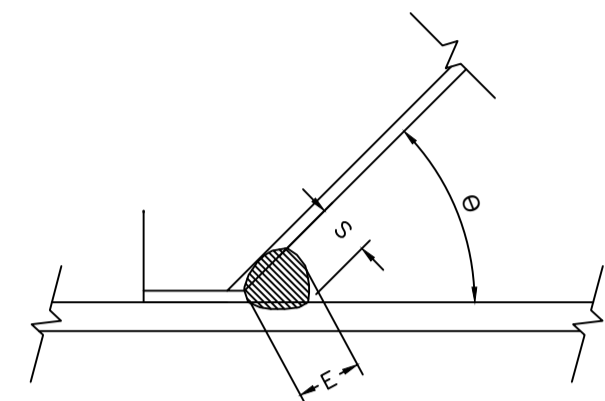


BRIDGE PERSPECTIVE
NOT TO SCALE



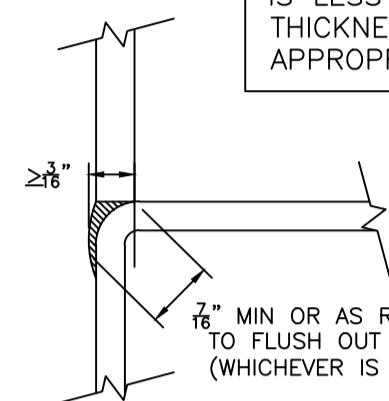
○ = START POINT
DO NOT START OR FINISH WELDS IN CORNER REGIONS

TYPICAL HSS WELD SEQUENCE
NTS



REQUIRED "s" TO BE CALCULATED IN ACCORDANCE WITH CAN/CSA W59.2 CLAUSE 4.3.3.5 AS FOLLOWS:
 $S = 2E \cdot \sin(\theta/2) + G$

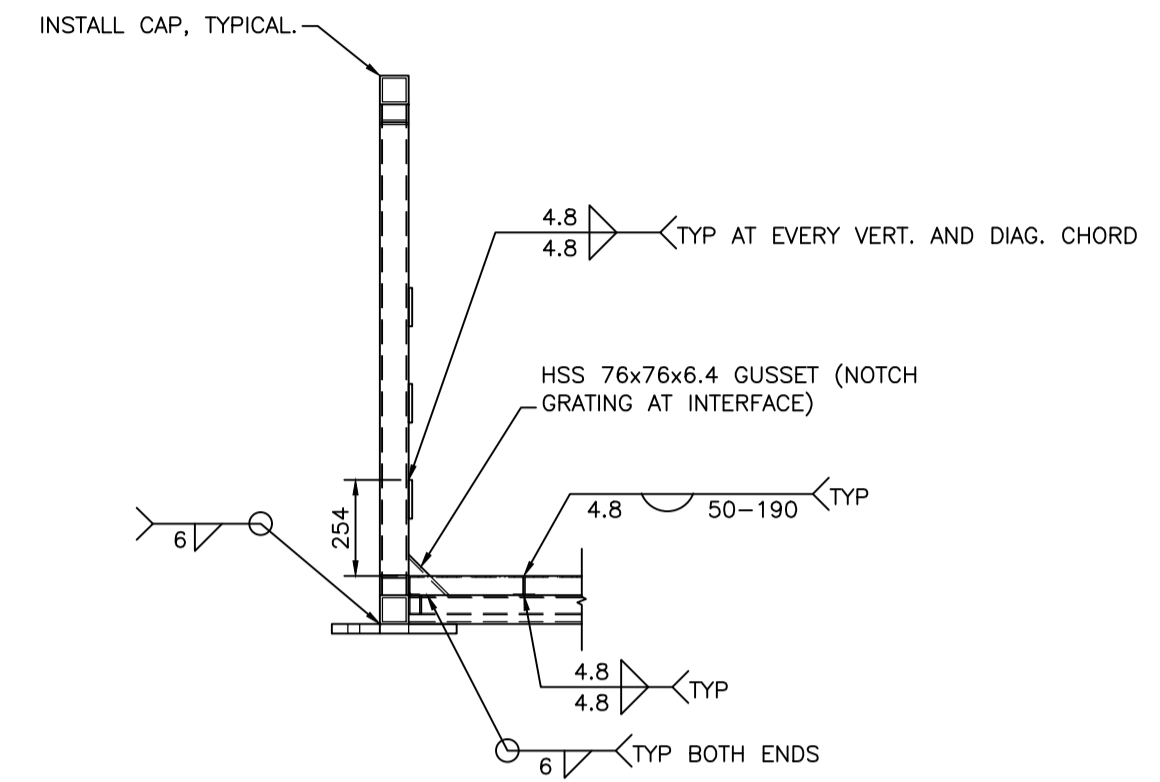
WELD DETAIL 1
NTS



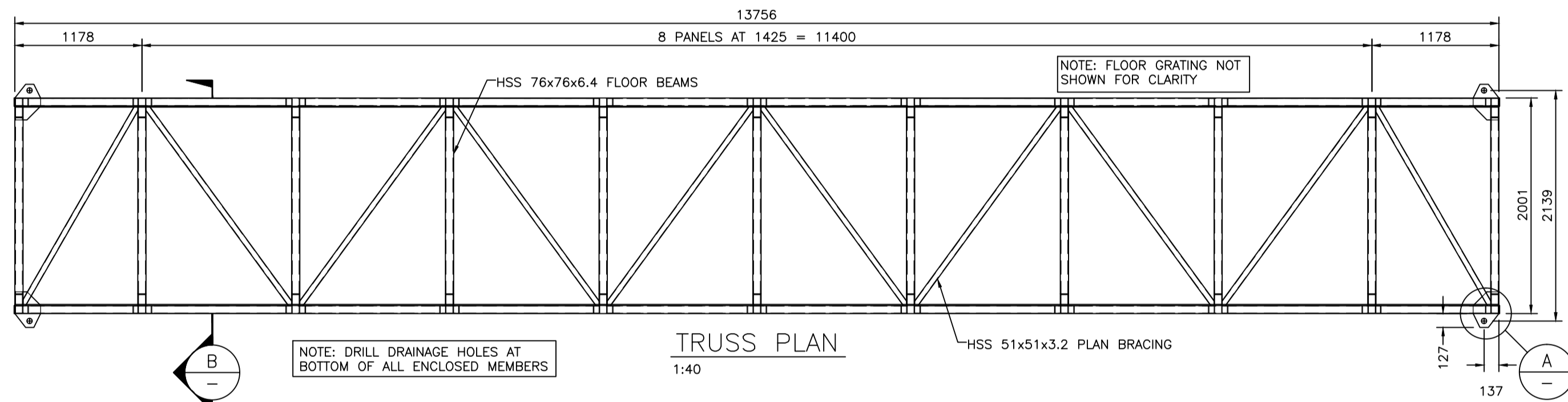
NOTE: IF THE OUTSIDE RADIUS OF THE TUBE IS LESS THAN 1.5 TIMES THE WALL THICKNESS, CONTACT THE ENGINEER FOR APPROPRIATE WELD MODIFICATIONS.

MATCHED EDGES OF:
1. VERTS/DIAGONALS TO BOTH CHORDS
2. FLOOR BEAMS

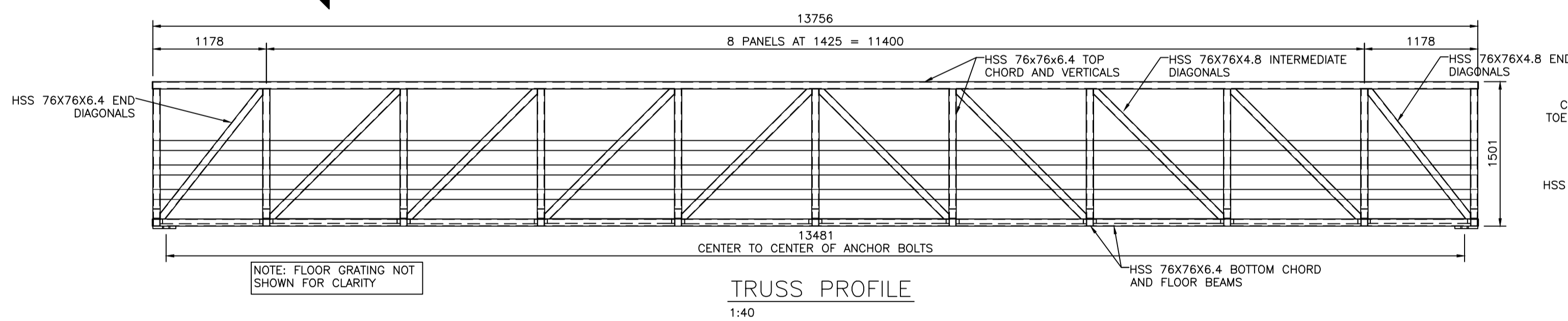
WELD DETAIL 2
NTS



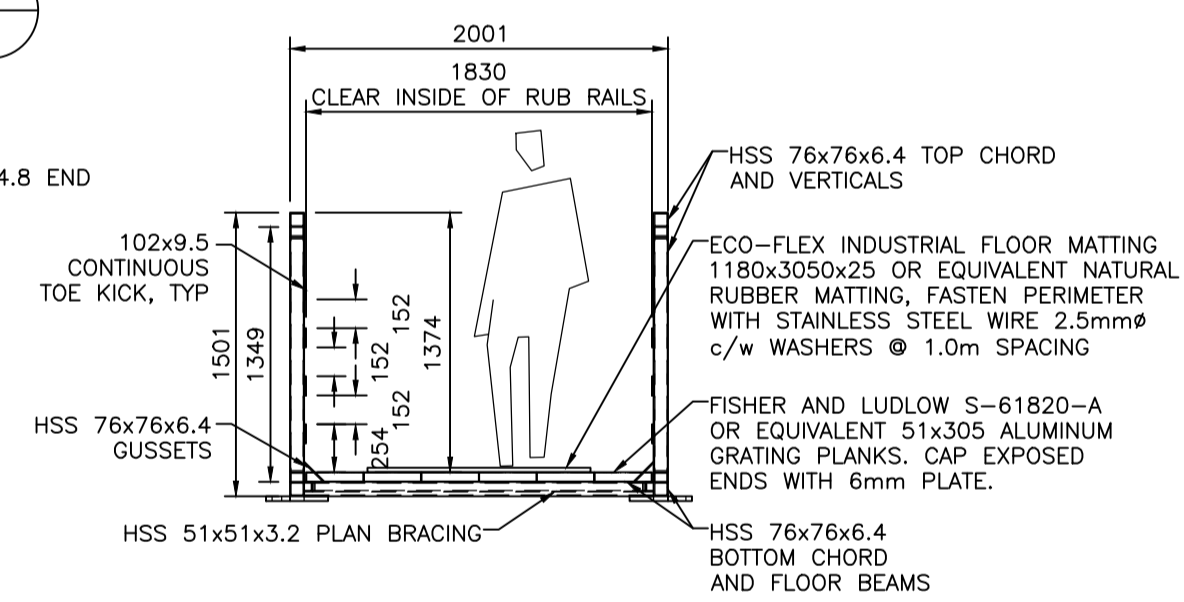
VERTICAL CHORD CONNECTION DETAIL
1:20



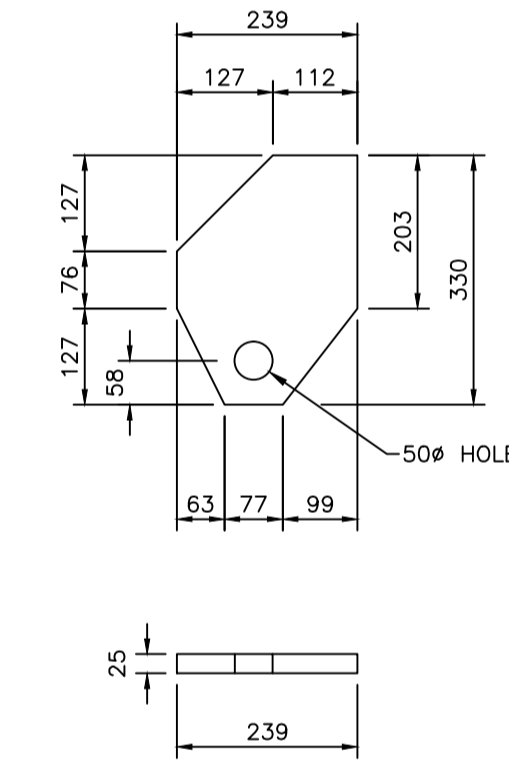
TRUSS PLAN
1:40



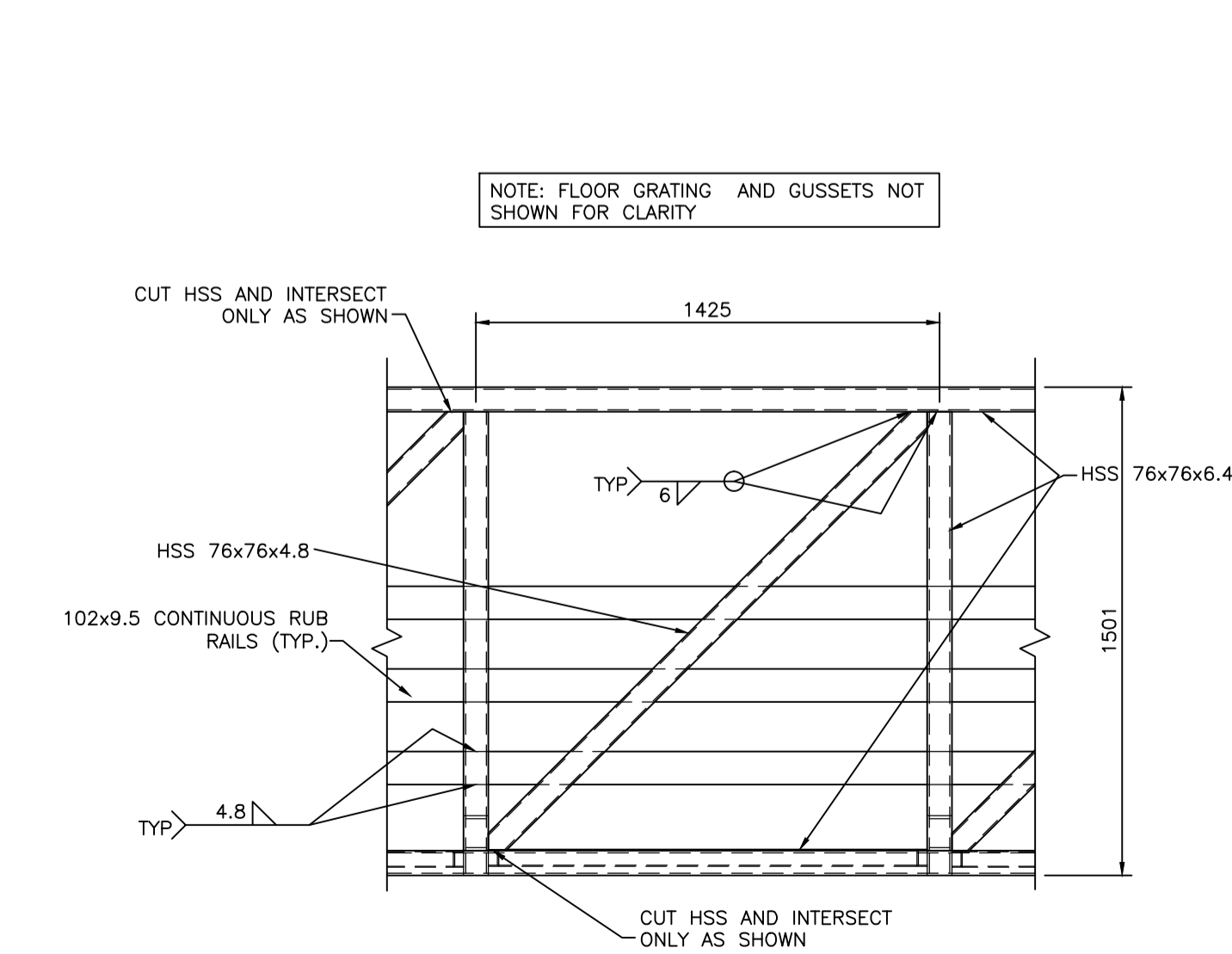
TRUSS PROFILE
1:40



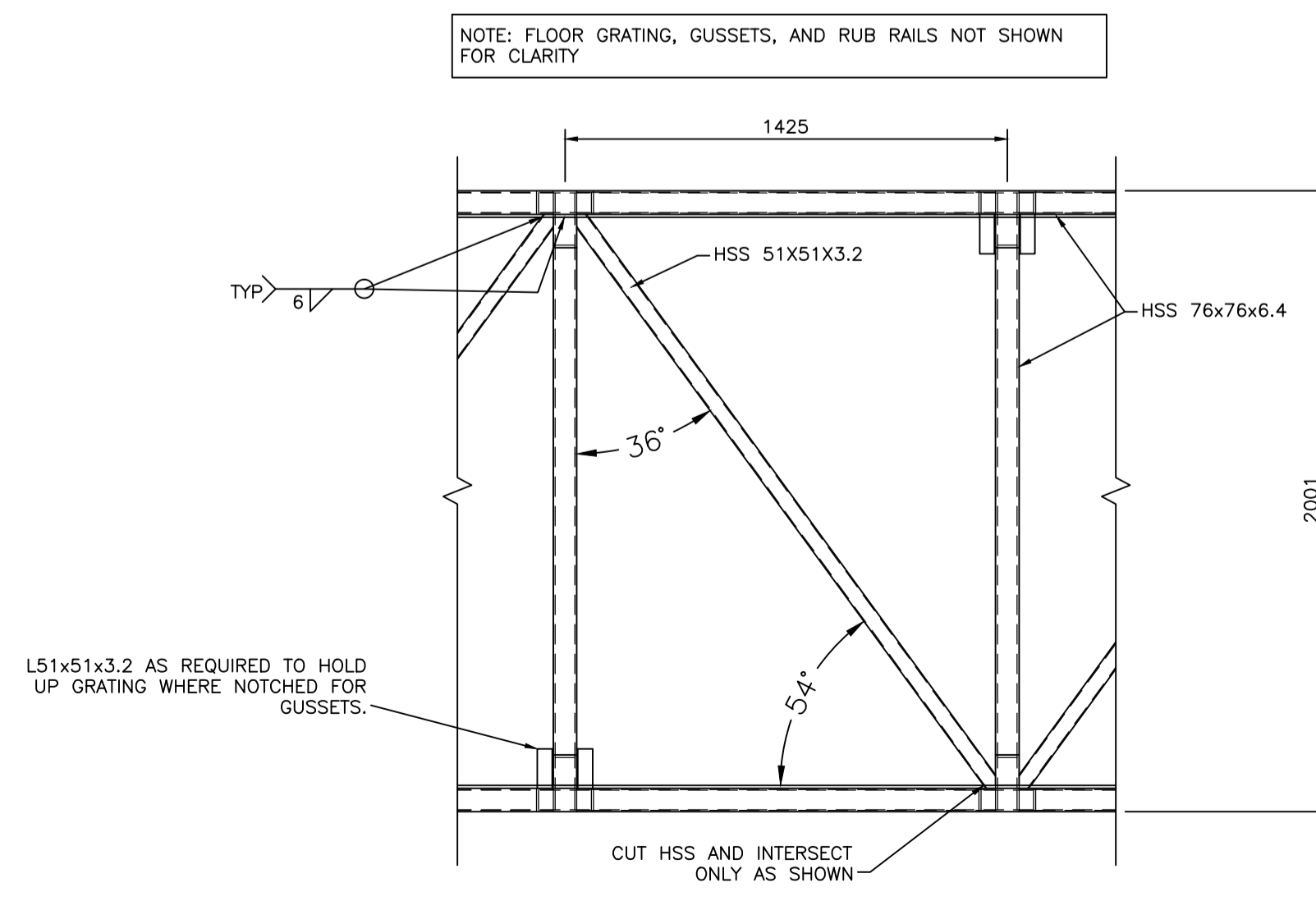
TRUSS SECTION
1:40



MOUNTING PLATE DETAIL
1:10

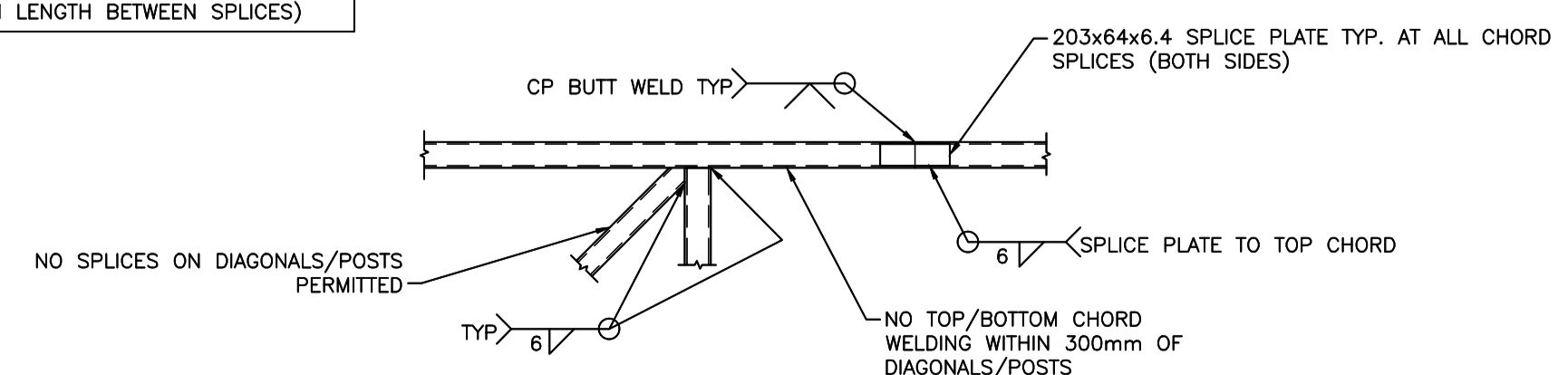


TYPICAL PANEL PROFILE
1:20



TYPICAL PLAN BRACING
1:20

NOTE: CHORD MEMBERS SHALL BE OF SUFFICIENT LENGTH TO BRIDGE A MINIMUM OF THREE PANELS (4275mm MINIMUM LENGTH BETWEEN SPLICES)



TRUSS WELD DETAILS
1:20



DO NOT SCALE DRAWINGS

5		
4		
3		
2		
1		
0	ISSUED FOR TENDER	09/26/13

Revision/	Description/Description	Date/Date
-----------	-------------------------	-----------

Client/client
Parks Canada Agency / L'Agence Parcs Canada

McElhanney
McElhanney Consulting Services Ltd.
SUITE #1-6008 PCHLE AVENUE PH (250) 635-7163
TERRACE B.C. CANADA FAX (250) 635-9566

Project title/Titre du projet

**SPRAY RIVER TRAIL
END OF LOOP BRIDGE**

BANFF NATIONAL PARK

Approved by/Approuvé par
JAIME GUZMAN

Designed by/Concept par
JONATHAN LAMBERT

Drawn by/Dessiné par
JONATHAN LAMBERT

PWGSC Project Manager/Administrateur de Projets TP/SGC

PW/SC, Architectural and Engineering Resources Manager/
Ressources Architectural et de Directeur d'Ingénierie, TP/SGC

Client/client

Drawing title/Titre du dessin

**MAIN SPAN TRUSS
FABRICATION DETAILS**

Project No./No. du projet

102

2 OF 2

Sheet/Feuille

102

2 OF 2

Revision no./
Lo Révision no.

0