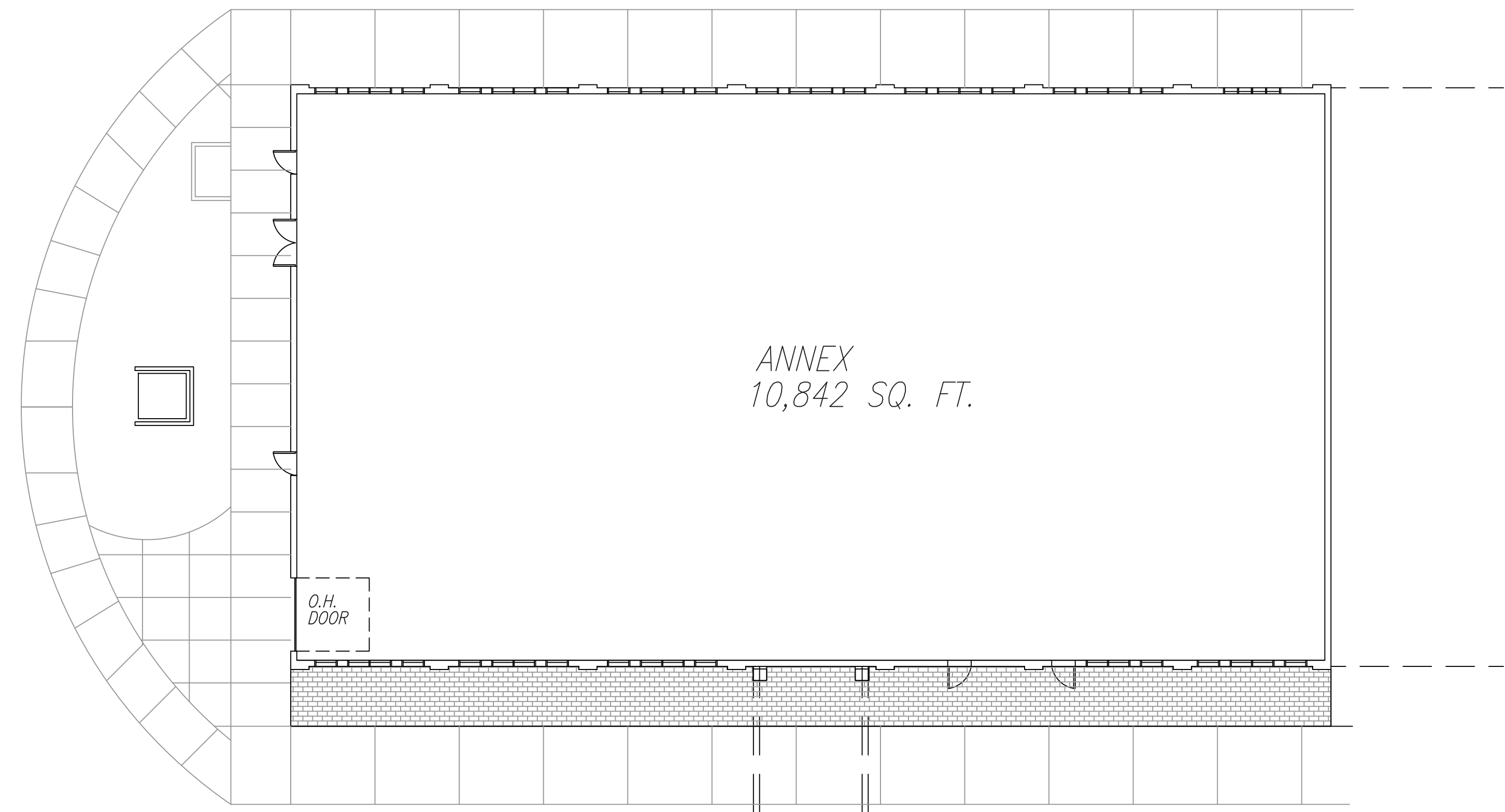
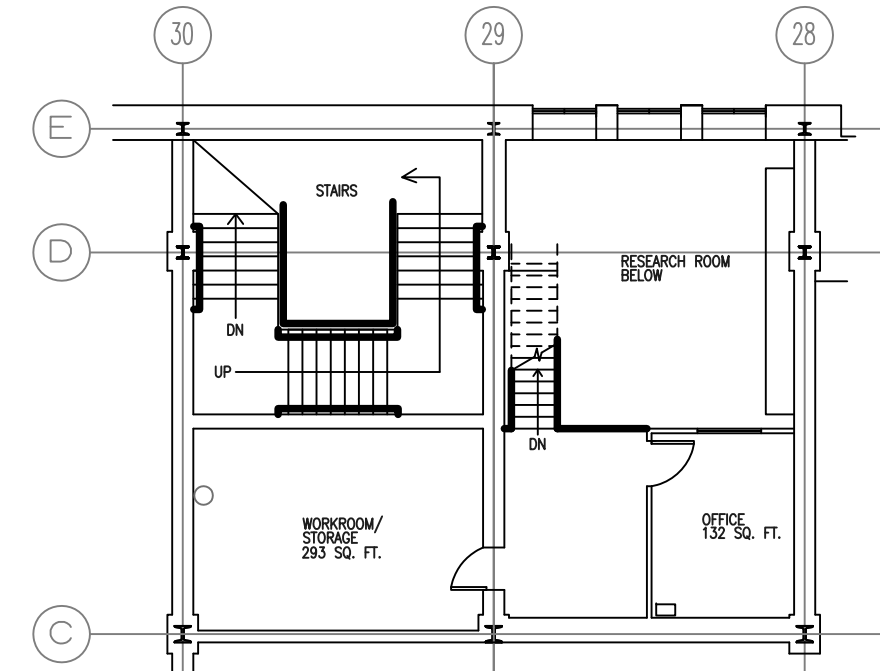


ARCHITECTURAL PLANS

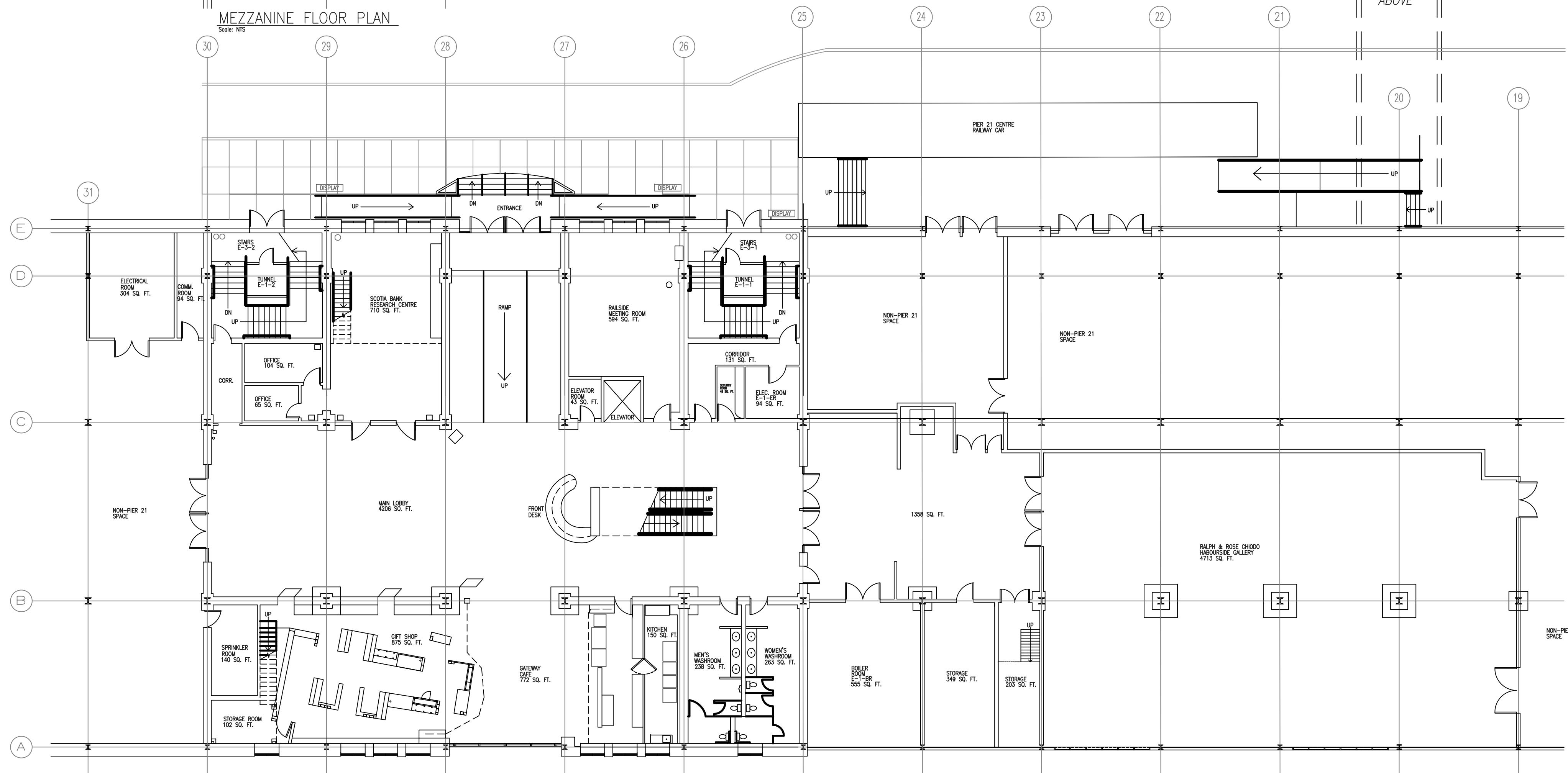
ANNEX
10,842 SQ. FT.



FIRST FLOOR PLAN - SOUTH - ANNEX
Scale: NTS

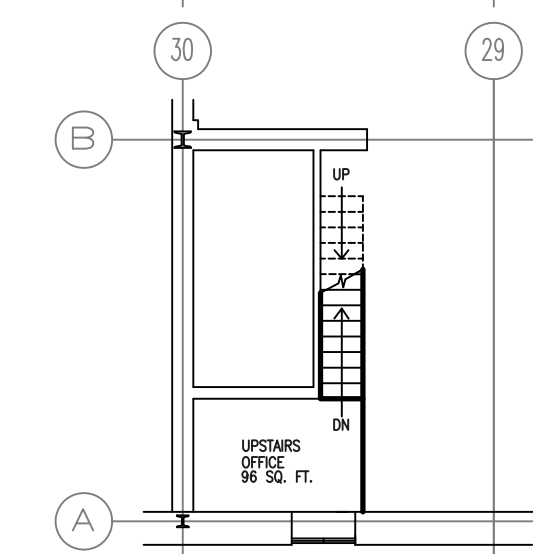


MEZZANINE FLOOR PLAN
Scale: NTS

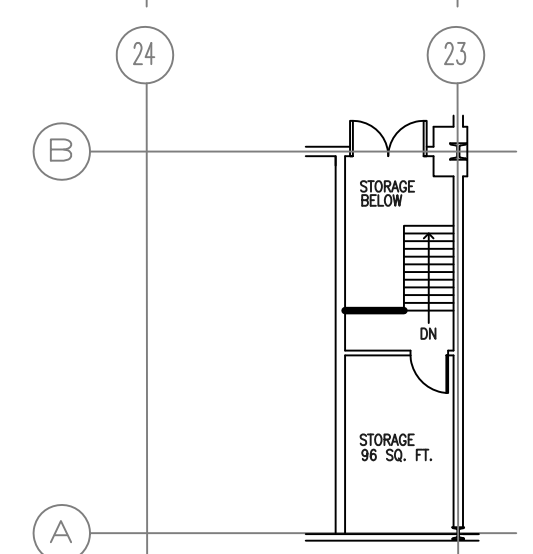


FIRST FLOOR PLAN - NORTH
Scale: NTS

FIRST FLOOR PLAN - SOUTH
Scale: NTS



MEZZANINE FLOOR PLAN
Scale: NTS



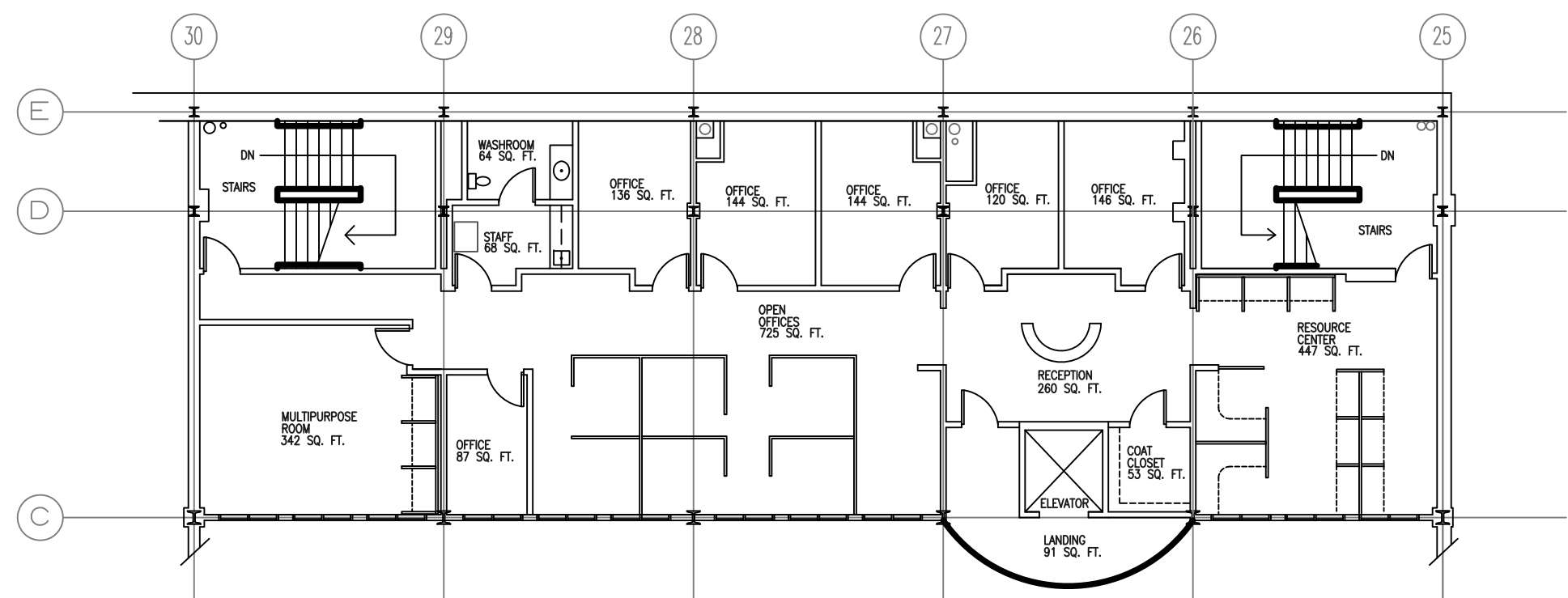
MEZZANINE FLOOR PLAN
Scale: NTS

ARCHITECTURAL PLANS

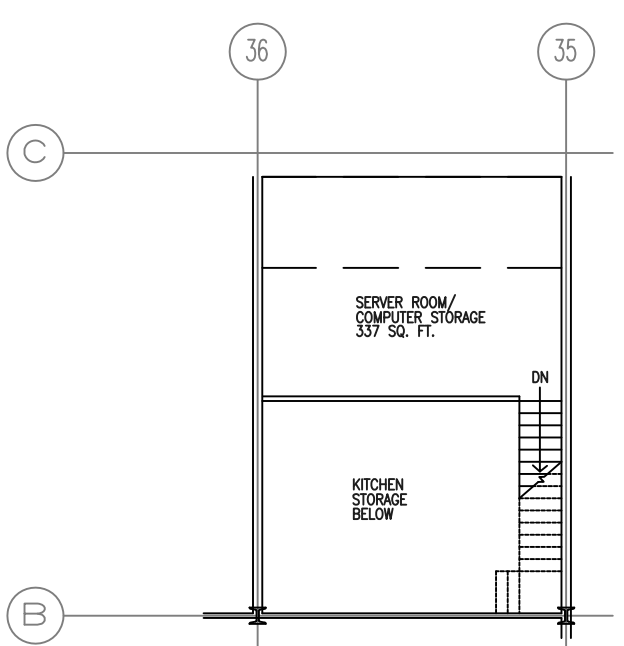


SECOND FLOOR PLAN – SOUTH – ANNEX
Scale: N1/8"

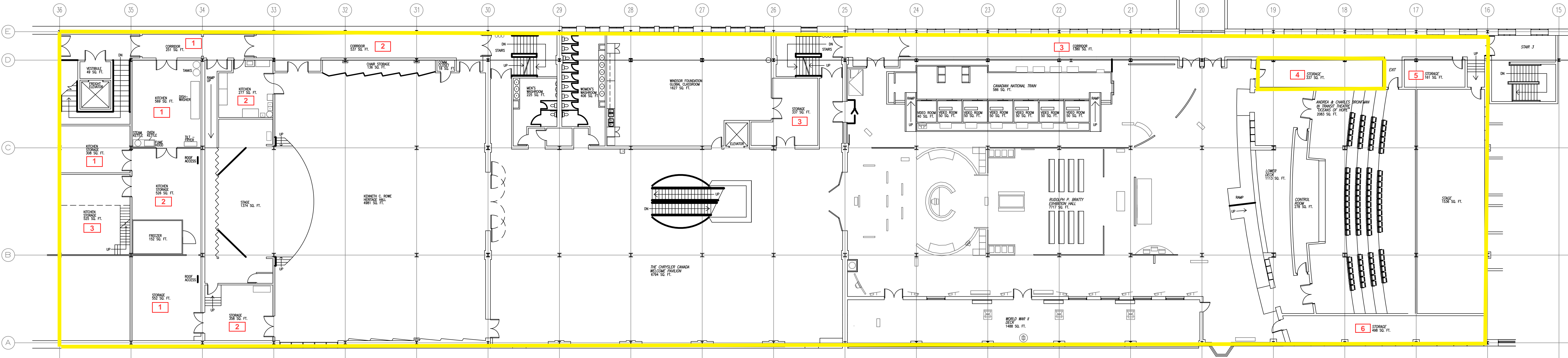
PEDWAY
1147 SQ. FT.



MEZZANINE FLOOR PLAN
Scale: N1/8"



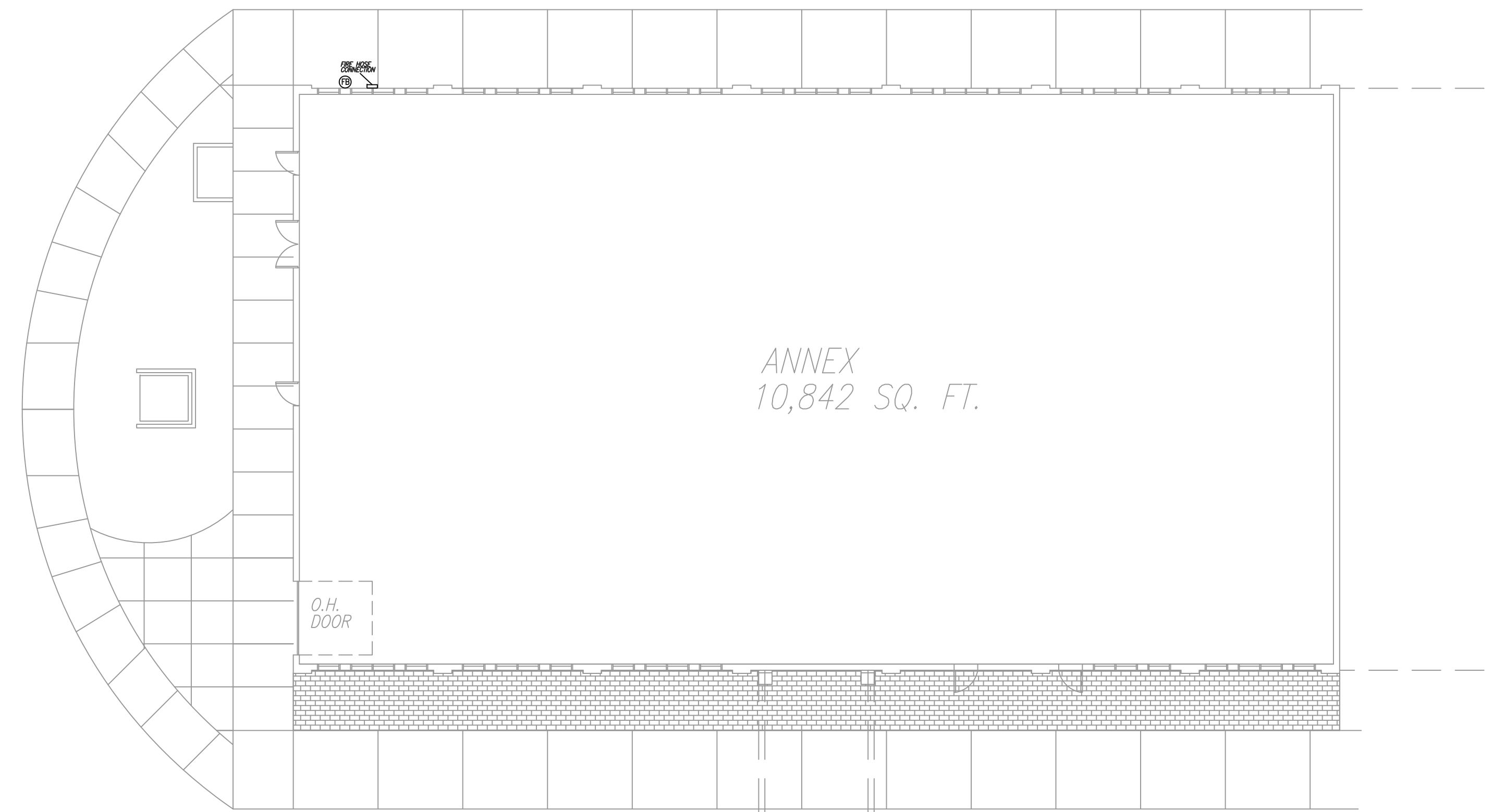
MEZZANINE FLOOR PLAN
Scale: N1/8"



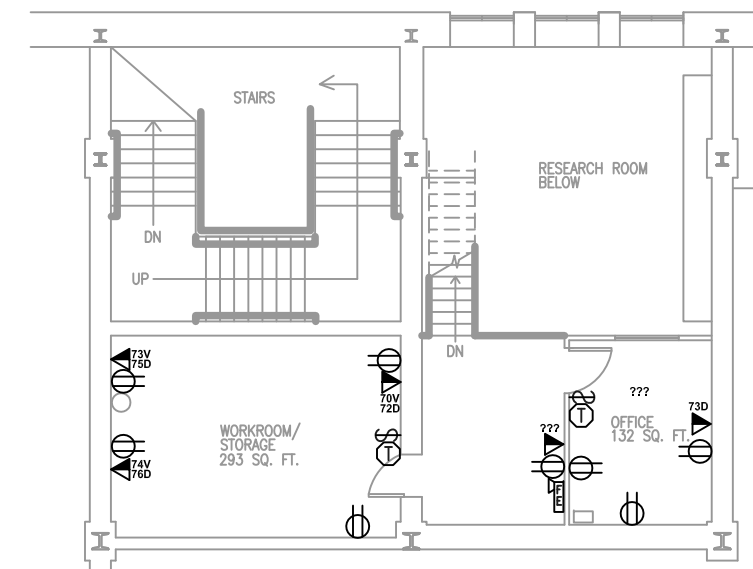
SECOND FLOOR PLAN – NORTH
Scale: N1/8"

SECOND FLOOR PLAN – SOUTH
Scale: N1/8"

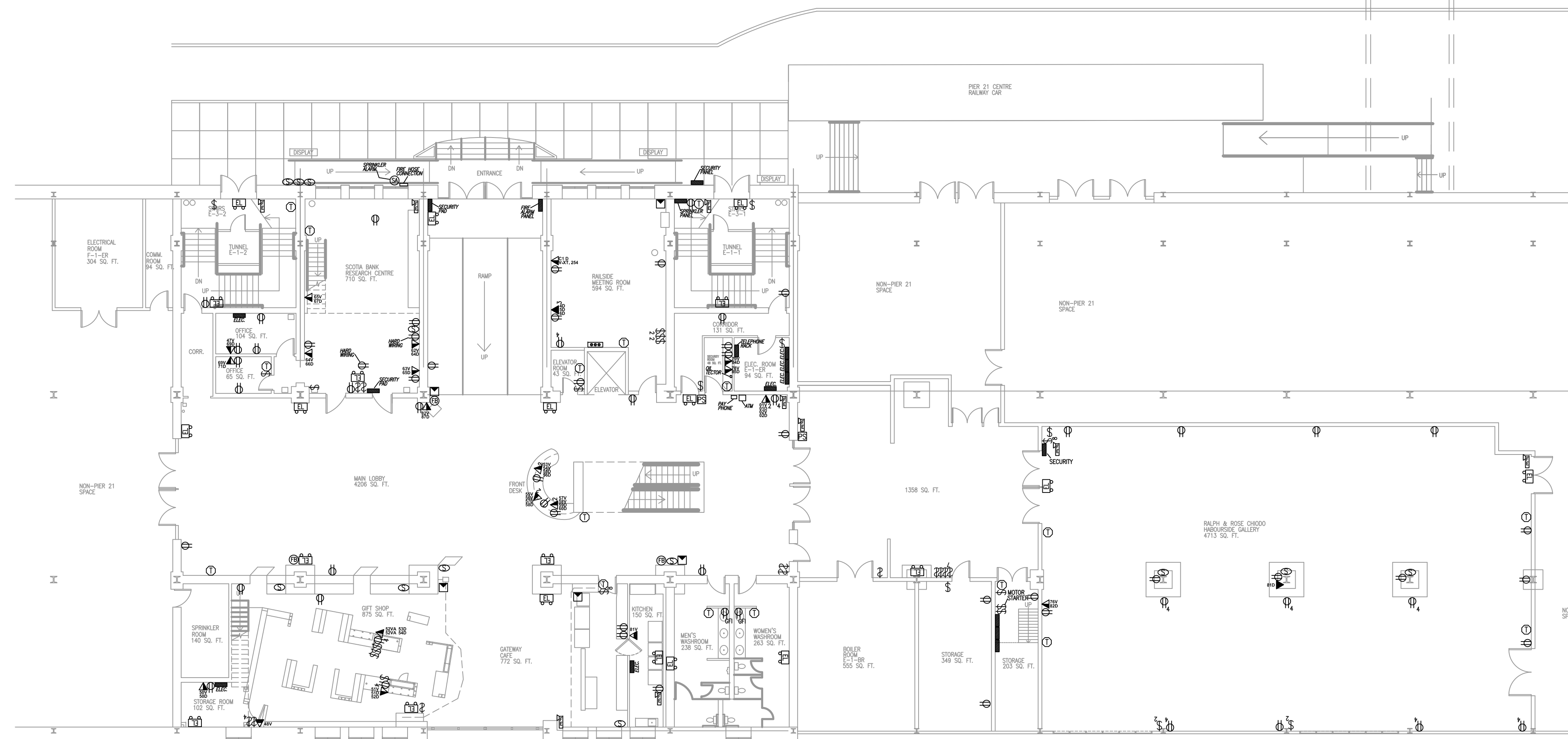
ELECTRICAL, MECHANICAL & EMERGENCY PLANS



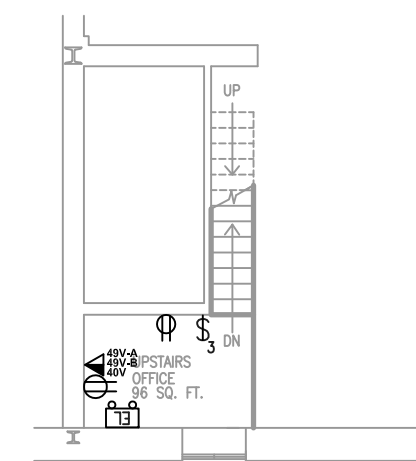
FIRST FLOOR PLAN – SOUTH – ANNEX
Scale: NTS



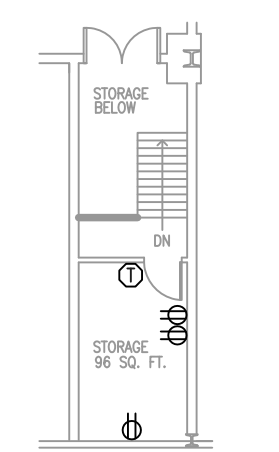
MEZZANINE FLOOR PLAN
Scale: NTS



FIRST FLOOR PLAN – NORTH
Scale: NTS



MEZZANINE FLOOR PLAN
Scale: NTS



MEZZANINE FLOOR PLAN
Scale: NTS

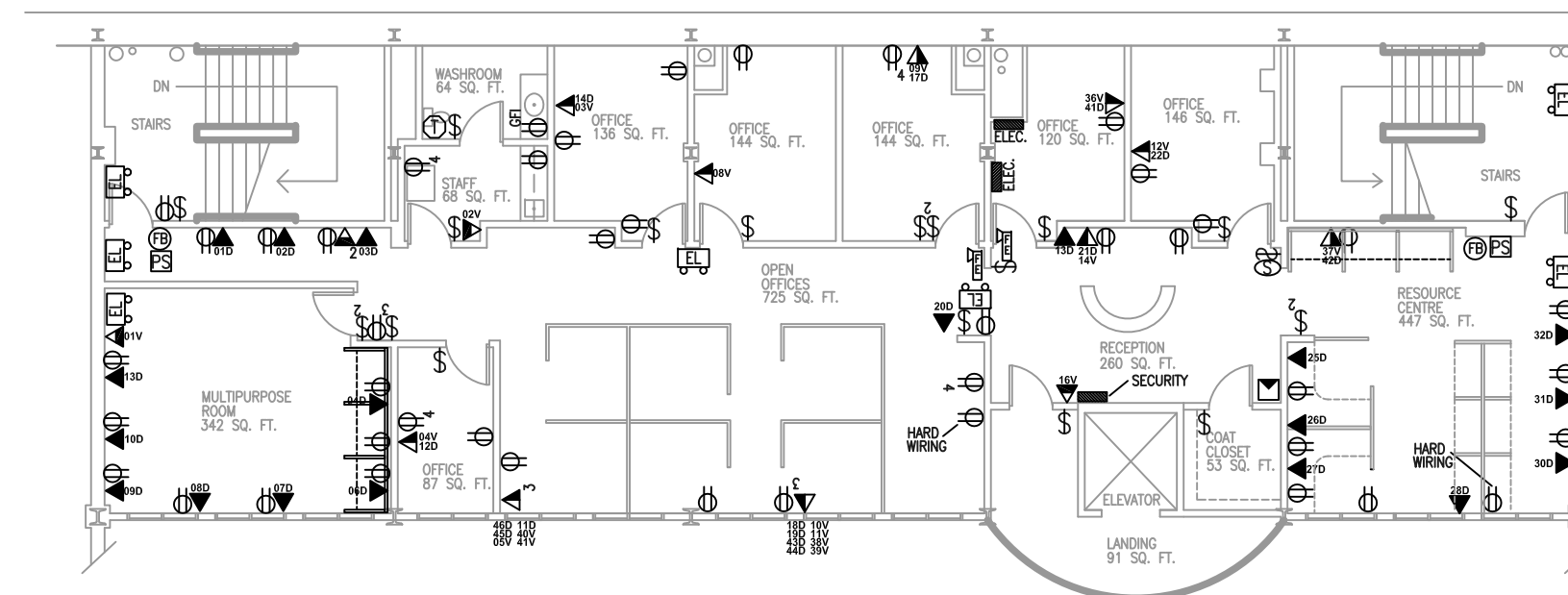
FIRST FLOOR PLAN – SOUTH
Scale: NTS

LEGEND			
⊕	- 110V POWER OUTLET	⊞	- A/V CONNECTION
▲	- DUAL VOICE/DATA OUTLET	⊞	- MOTION SENSOR
▲	- DATA OUTLET	⊞	- FIRE PULL STATION
▲	- VOICE OUTLET	⊞	- FIRE BELL
⊞	- EMERGENCY LIGHT	⊞	- FIRE EXTINGUISHER
\$	- LIGHT SWITCH	⊞	- THERMOSTAT
⊞	- SECURITY CAMERA	■	- PANEL/PAD (AS MARKED)

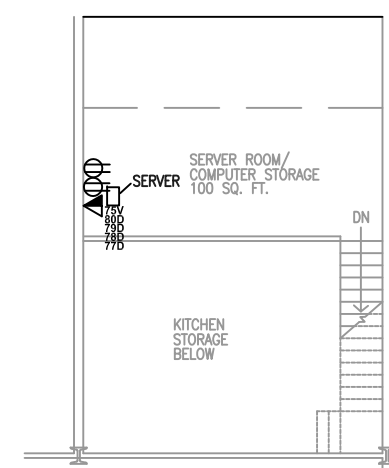
ELECTRICAL, MECHANICAL & EMERGENCY PLANS



SECOND FLOOR PLAN - SOUTH - ANNEX
Scale: NTS

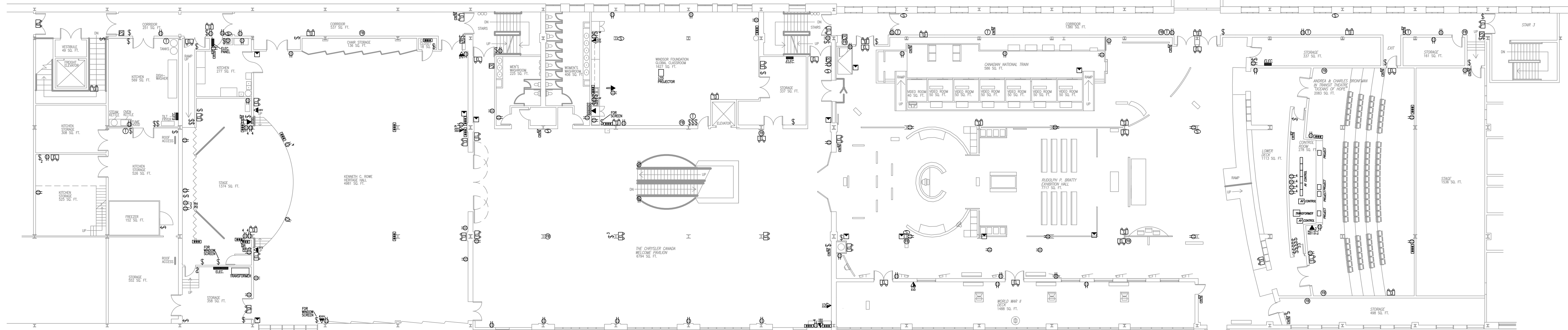


MEZZANINE FLOOR PLAN
Scale: NTS



MEZZANINE FLOOR PLAN
Scale: NTS

PEDWAY
1147 SQ. FT.



SECOND FLOOR PLAN - NORTH
Scale: NTS

SECOND FLOOR PLAN - SOUTH
Scale: NTS