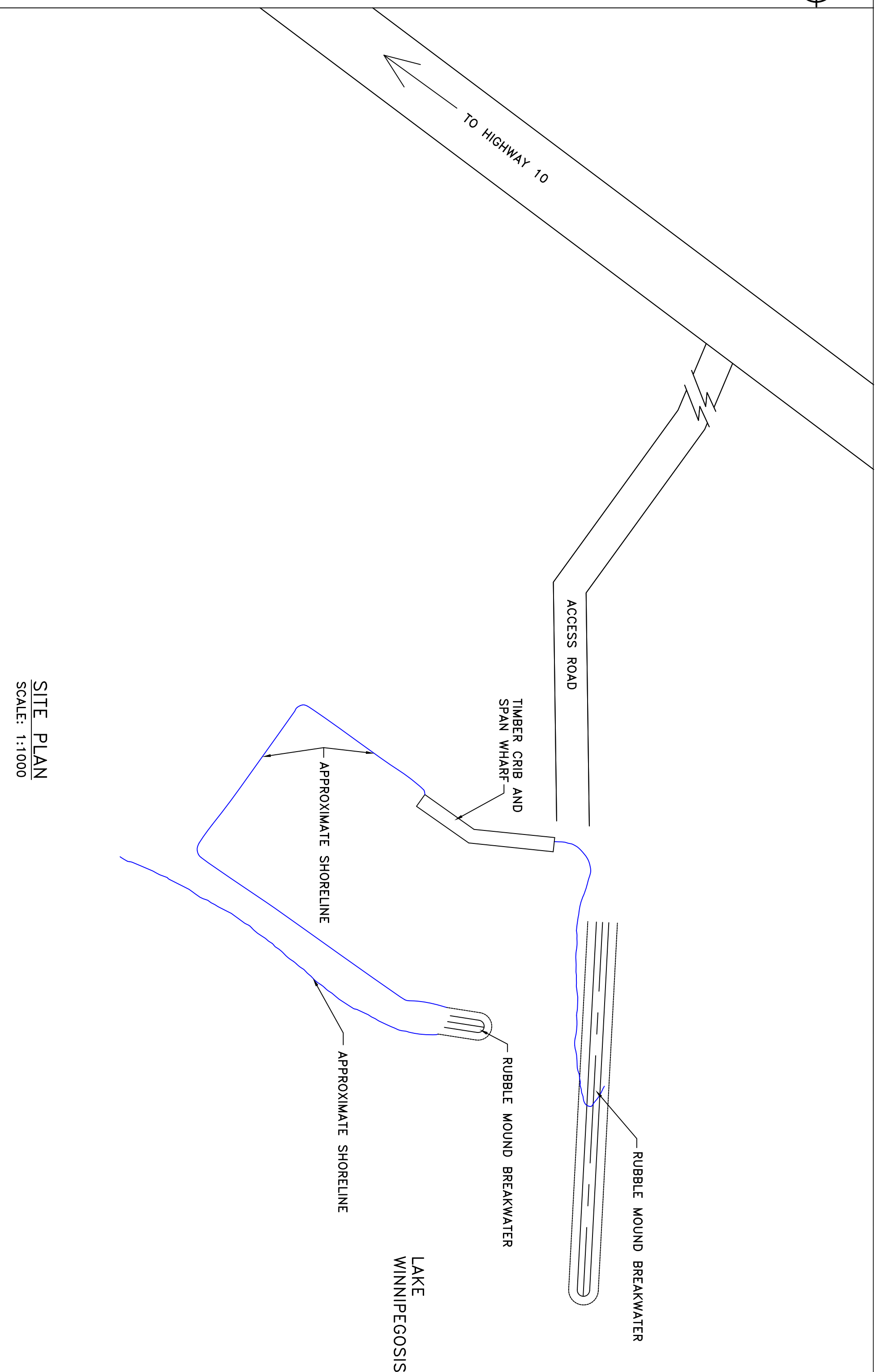
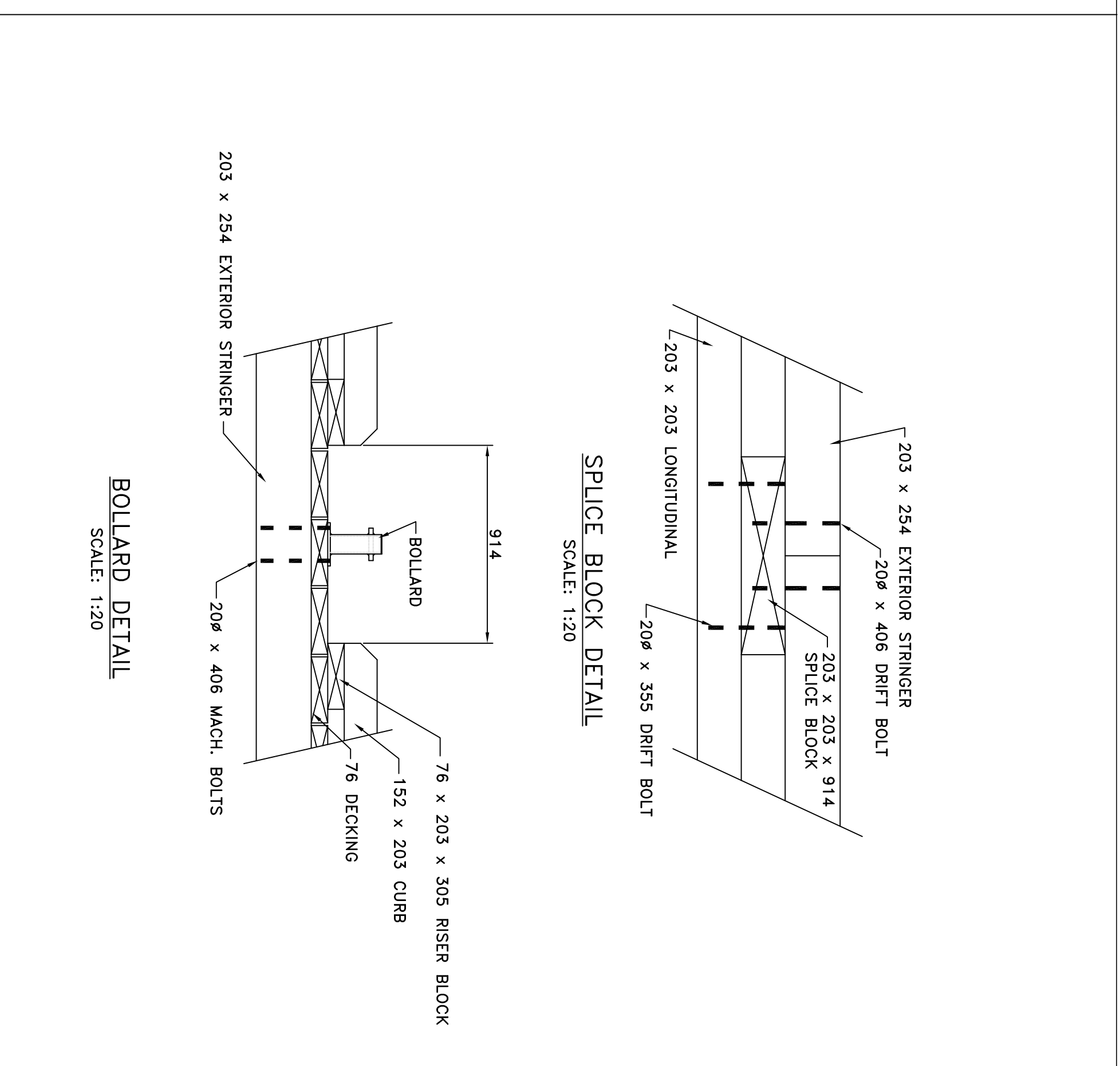


CHART OF LOCATION
NOT TO SCALE



SITE PLAN
SCALE: 1:1000



BOLLARD DETAIL
SCALE: 1:20

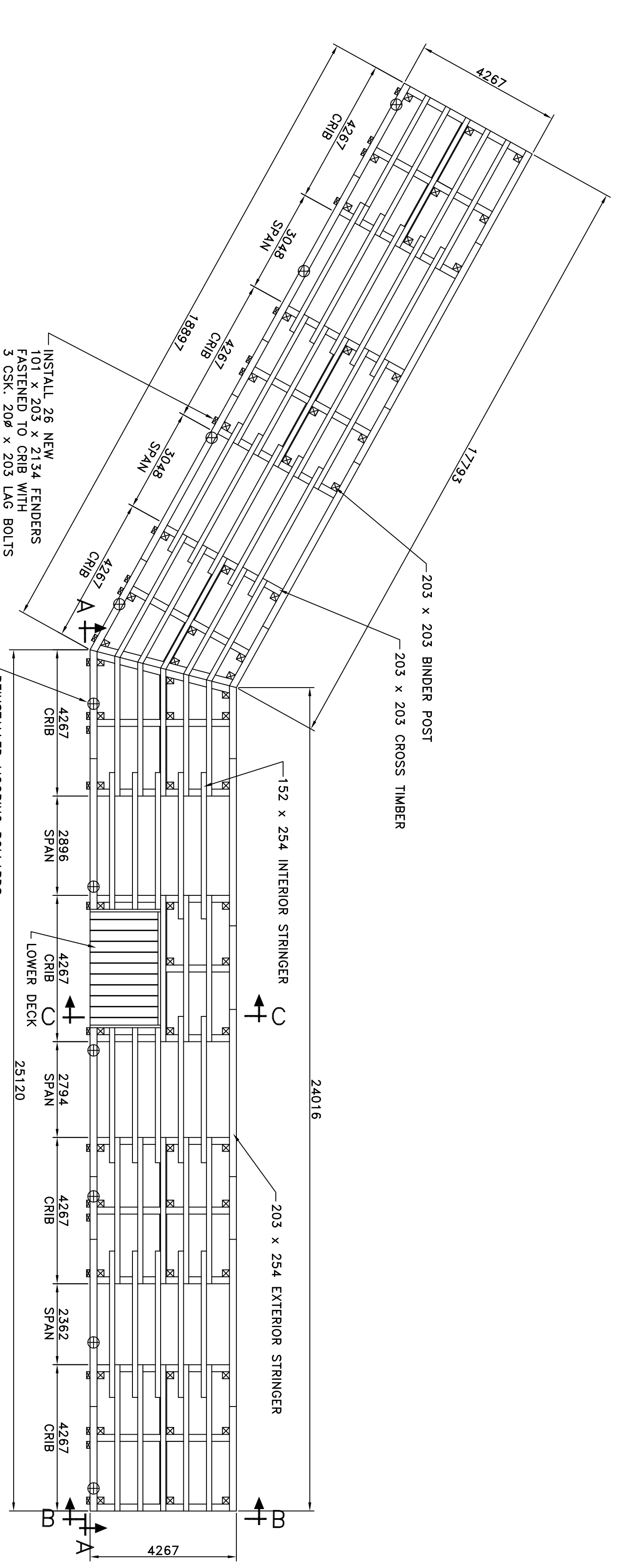
GOVERNMENT OF CANADA
 FISHERIES AND OCEANS

GOVERNEMENT DU CANADA
 PÊCHES ET OcéANS

Small Craft Harbours
 Ports pour petits bateaux

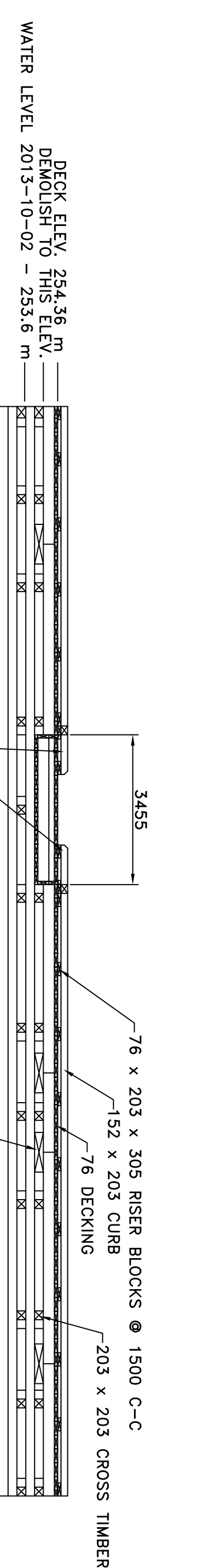
**SMALL CRAFT HARBOURS
CENTRAL AND ARCTIC REGION**

- NOTES:
1. ALL DIMENSIONS ARE IN MILLIMETRES UNLESS OTHERWISE STATED
 2. ALL TIMBER TO BE ROUGH SAWN
 3. DECKING TO BE ROUGH SAWN SIZED
 4. ELEVATIONS SHOWN ARE IN METRES



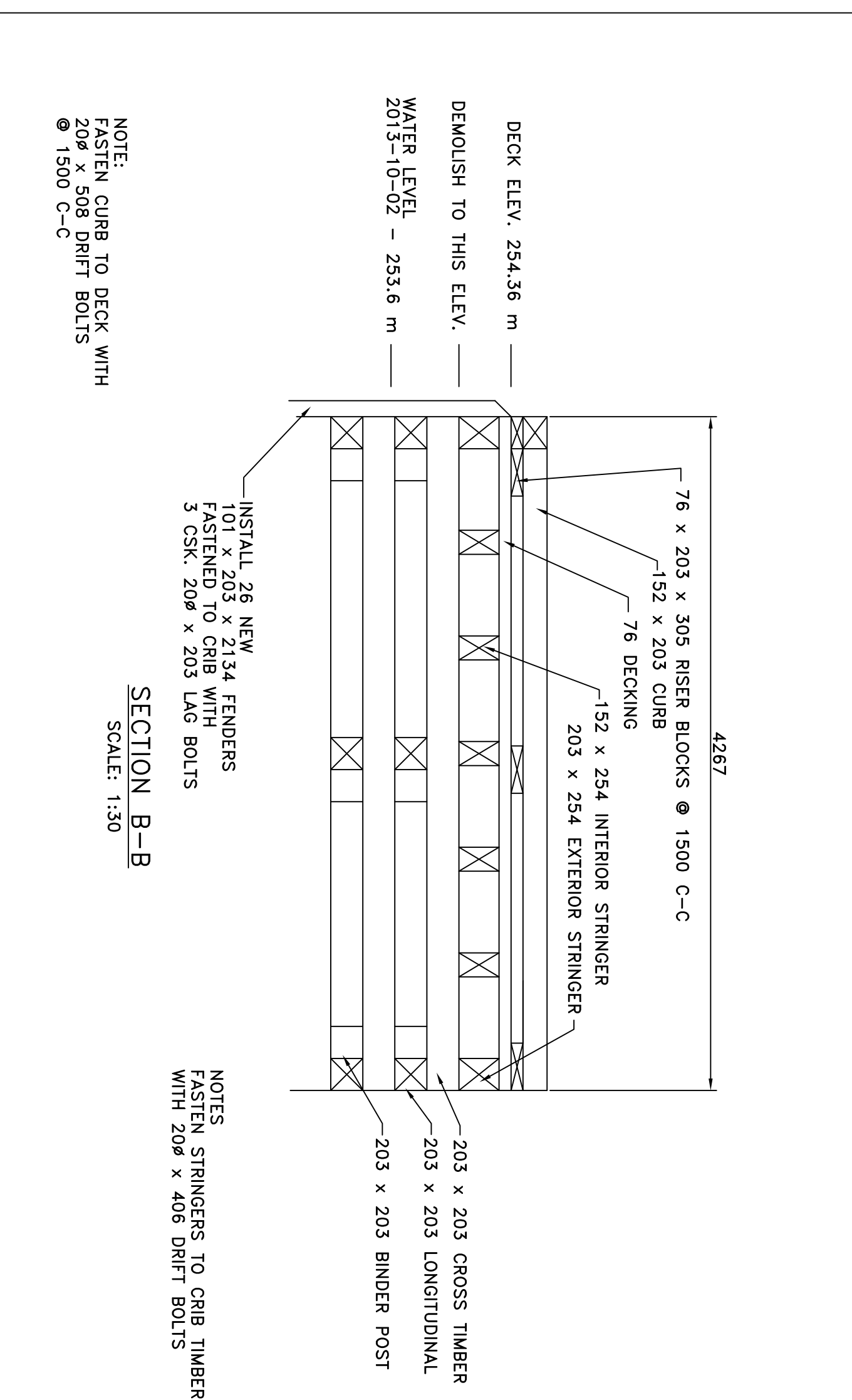
PLAN VIEW - STRINGERS
SCALE: 1:100

NOTE:
CONTRACTOR TO REMOVE APPROX. 10 EXISTING 203 x 203 TIMBER FENDERS



SECTION A-A
SCALE: 1:100

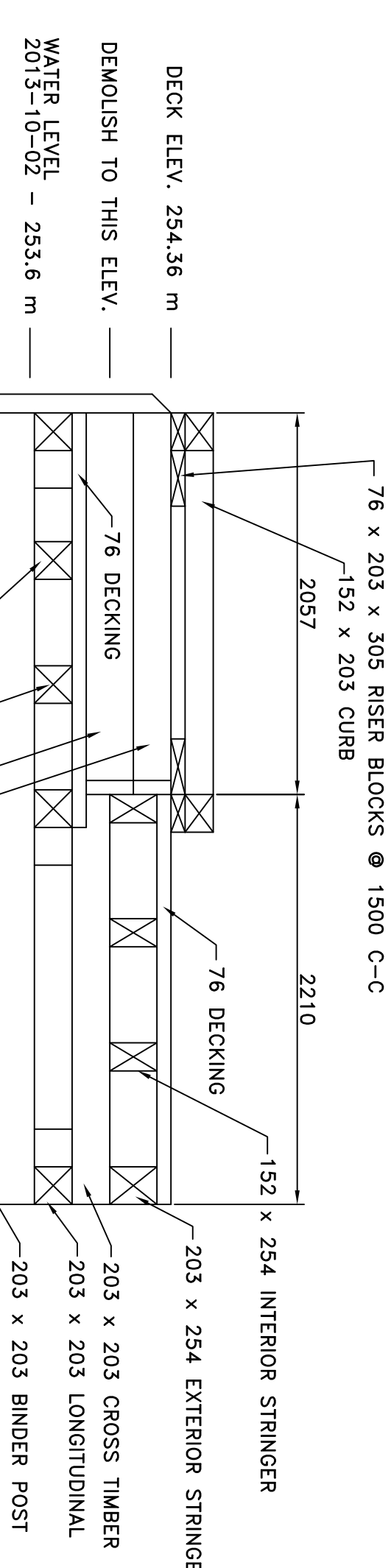
NOTE:
CONTRACTOR TO REMOVE APPROX. 10 EXISTING 203 x 203 TIMBER FENDERS AND NEW SPLICE BLOCKS SUPPLIED AND INSTALLED



SECTION B-B
SCALE: 1:30

NOTE:
FASTEN CURB TO DECK WITH 20# x 308 DRIFT BOLTS @ 1500 C-C

NOTE:
REMOVE EXISTING STRINGERS TO CRIB TIMBERS WITH 20# x 408 DRIFT BOLTS



SECTION C-C
SCALE: 1:30

DRAWING NO.: C-1 of 1		LOCATOR CODE: 5563	
WHARF REPAIRS			
PROJECT:	AS SHOWN	CLASS:	
SCALE:		DATE:	
REVISIONS:	0 ISSUED FOR TENDER	DATE:	NOV. 14, 2013
DESCRIPTION: CONSTRUCTION DETAILS			
DRAWN:	SCH	APPROVED:	SCH
DATE:	NOV. 2013	DATE:	NOV. 2013
LOCATION: WHITEFISH POINT MANITOBA			