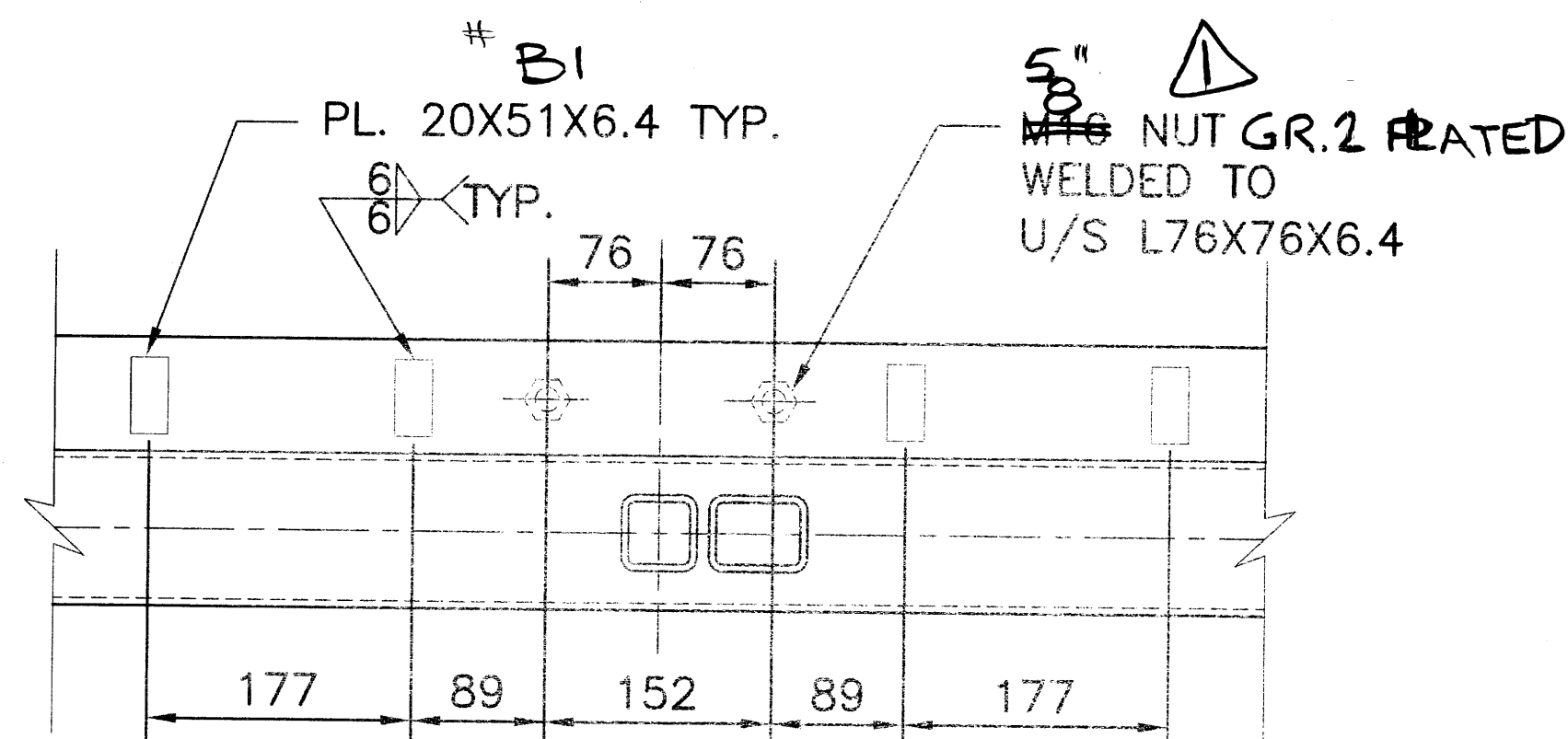
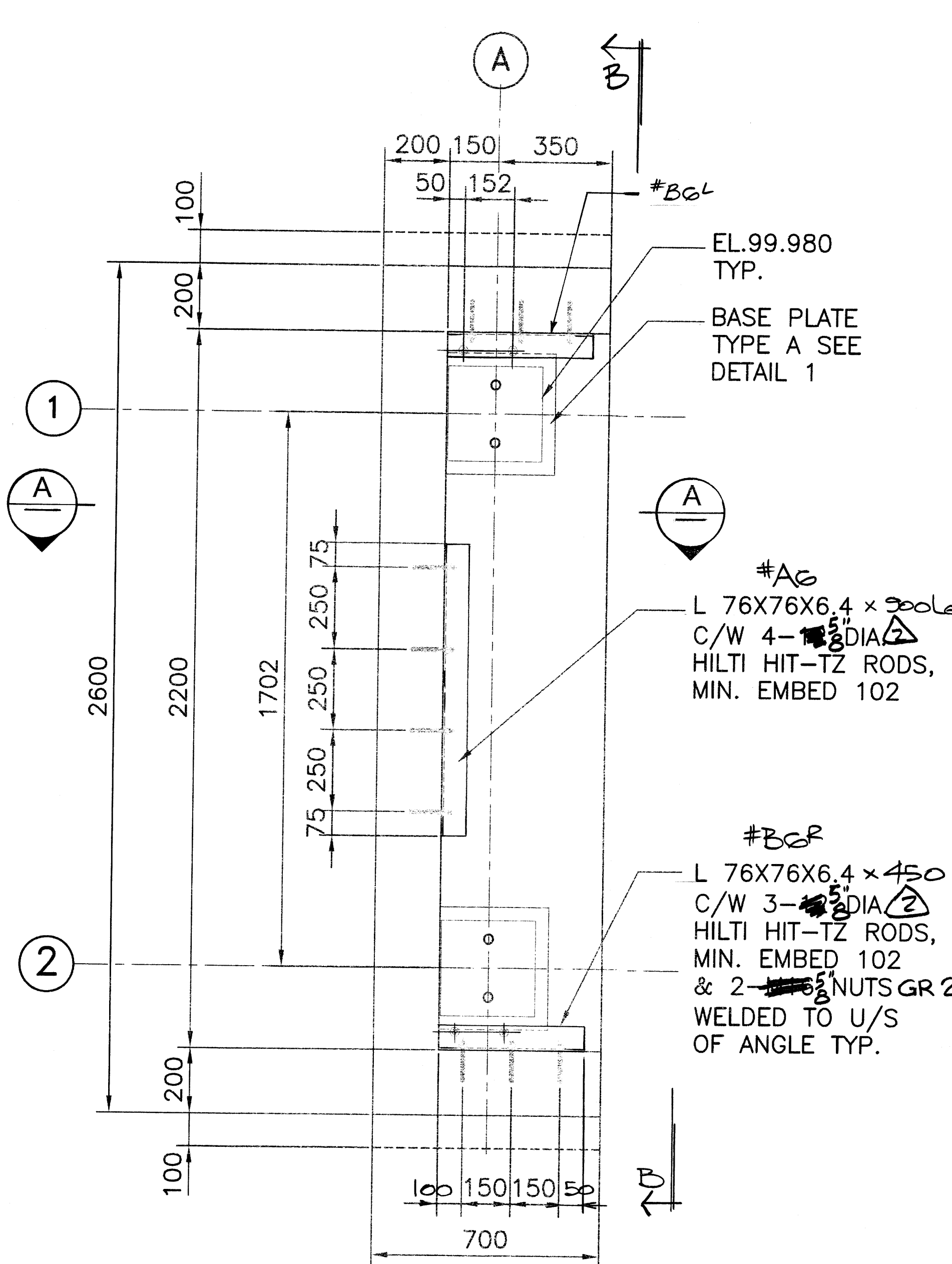


SECTION A
(LOOKING NORTH)

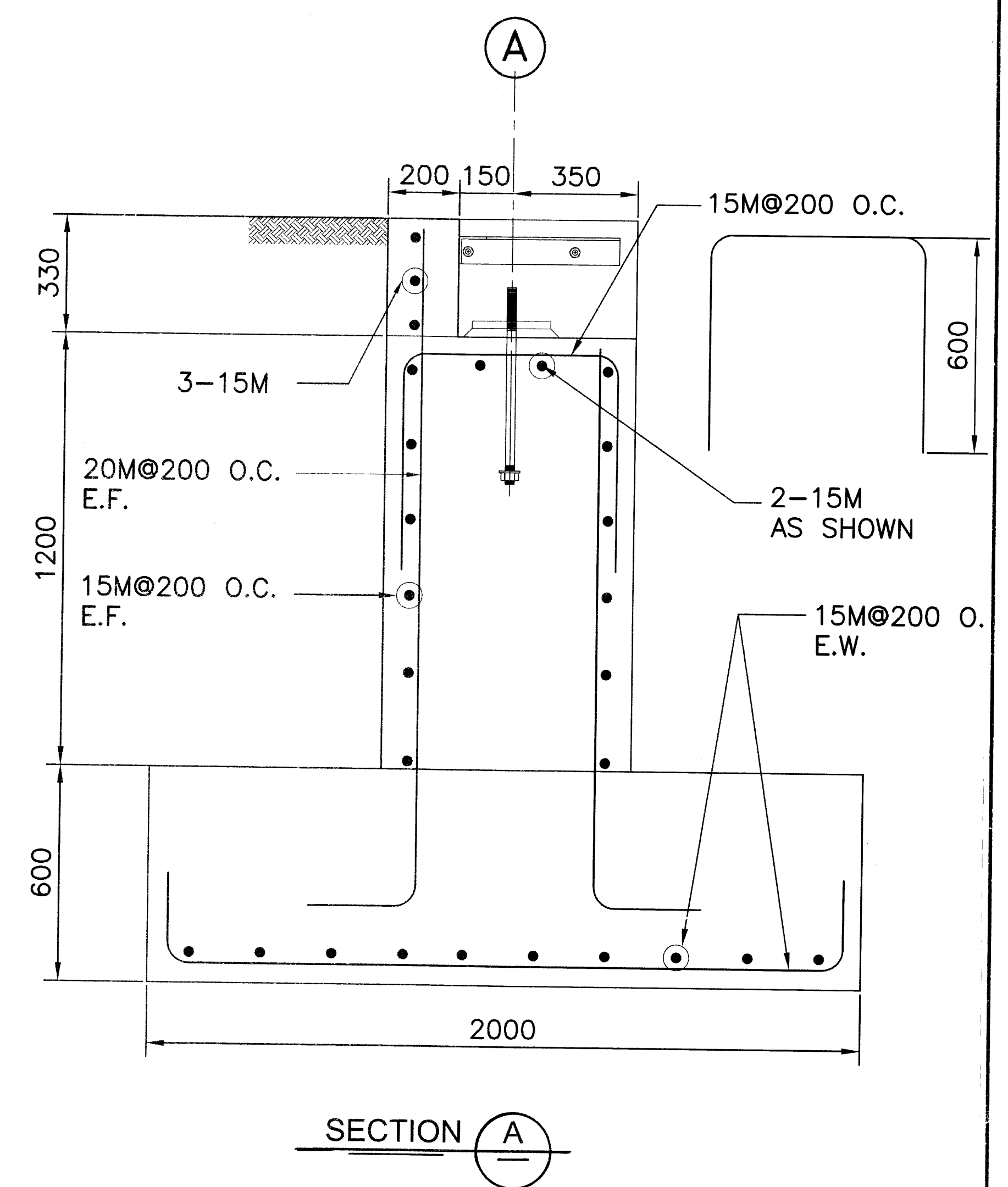
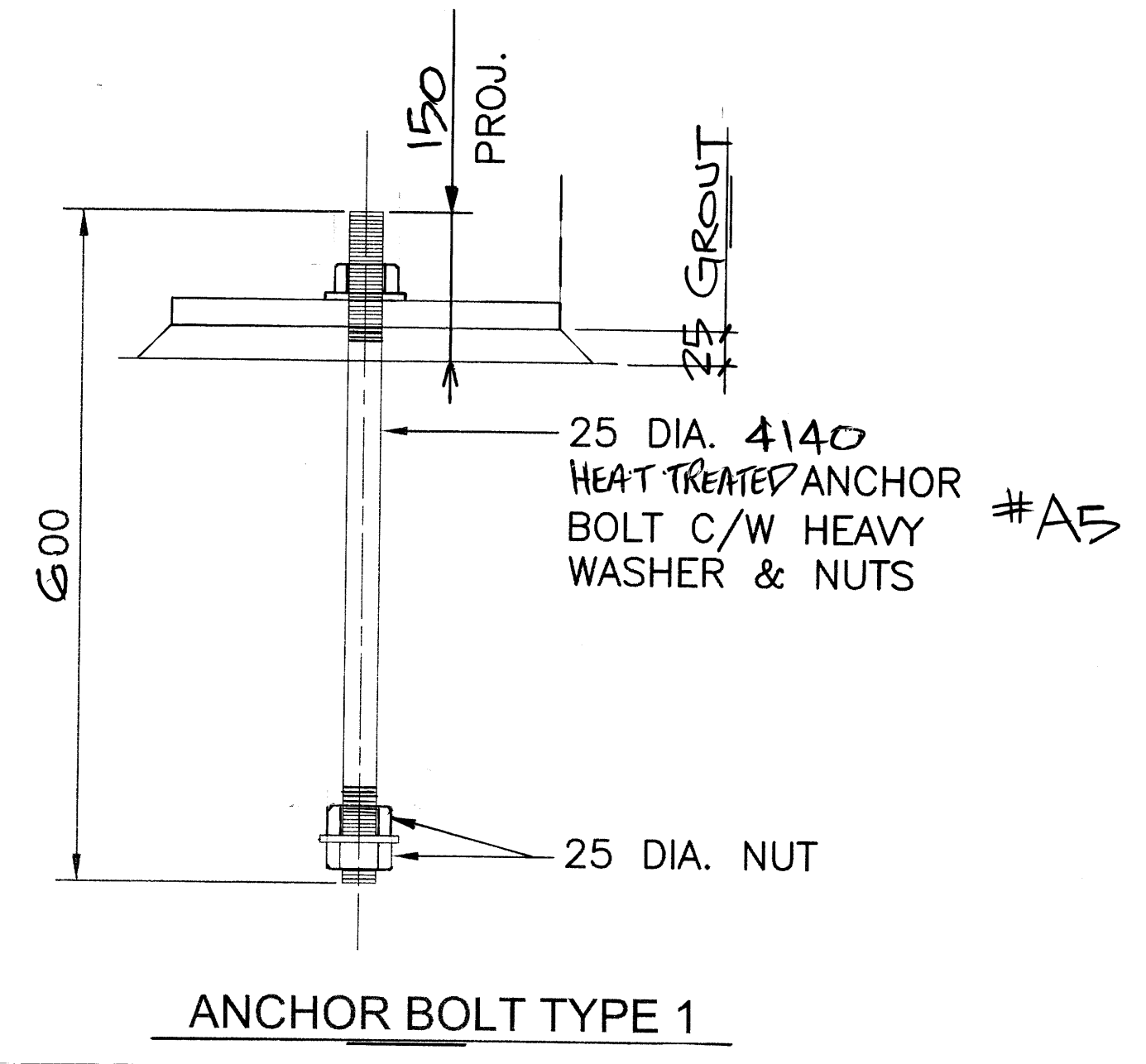
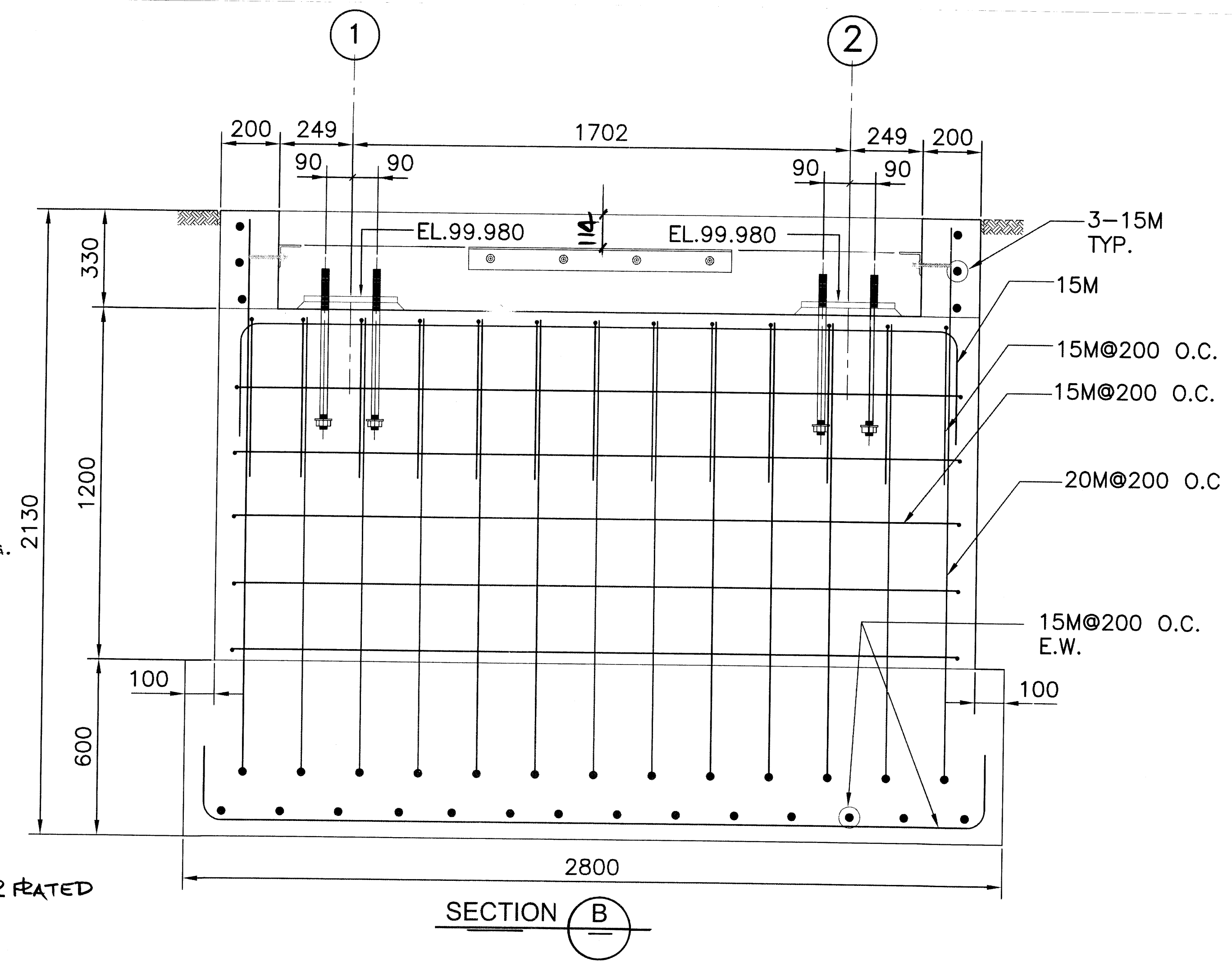
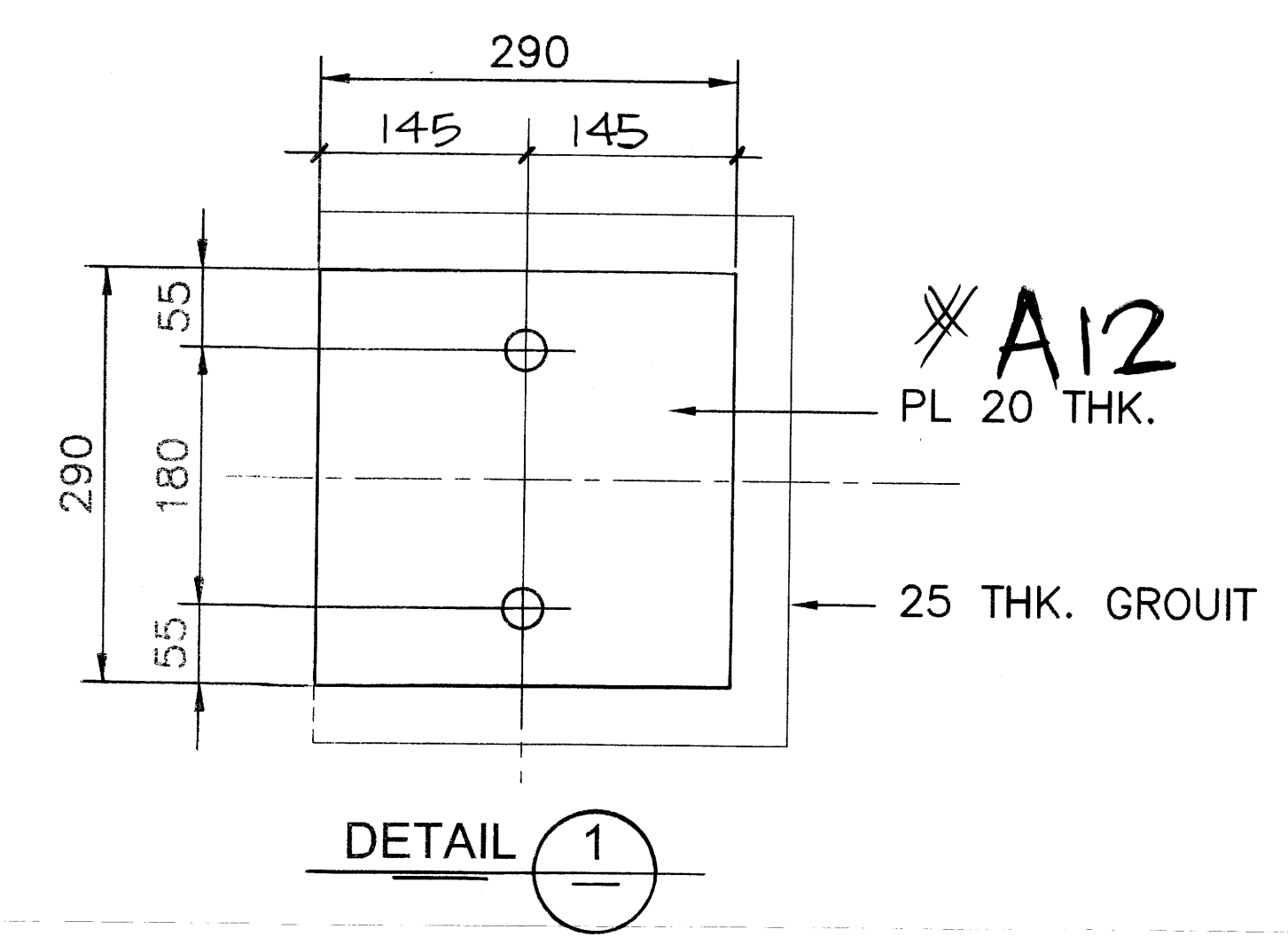


THREE STAR STEEL (CALGARY) LTD.					
DESCRIPTION: SPRAY RIVER BRIDGE BANFF NATIONAL PARK					
DETAIL: BRIDGE ELEVATION # SECTIONS					
PURCHASER: RYMAD ENGINEERING INC.					
DRW. BY: GHD	DATE: Nov 11	JOB No.	DWG. No.	REV.	
REV NUT	Nov 28	CHD. BY:	DATE:	C-3280	EI
No.	REVISION	DATE	SCALE:		

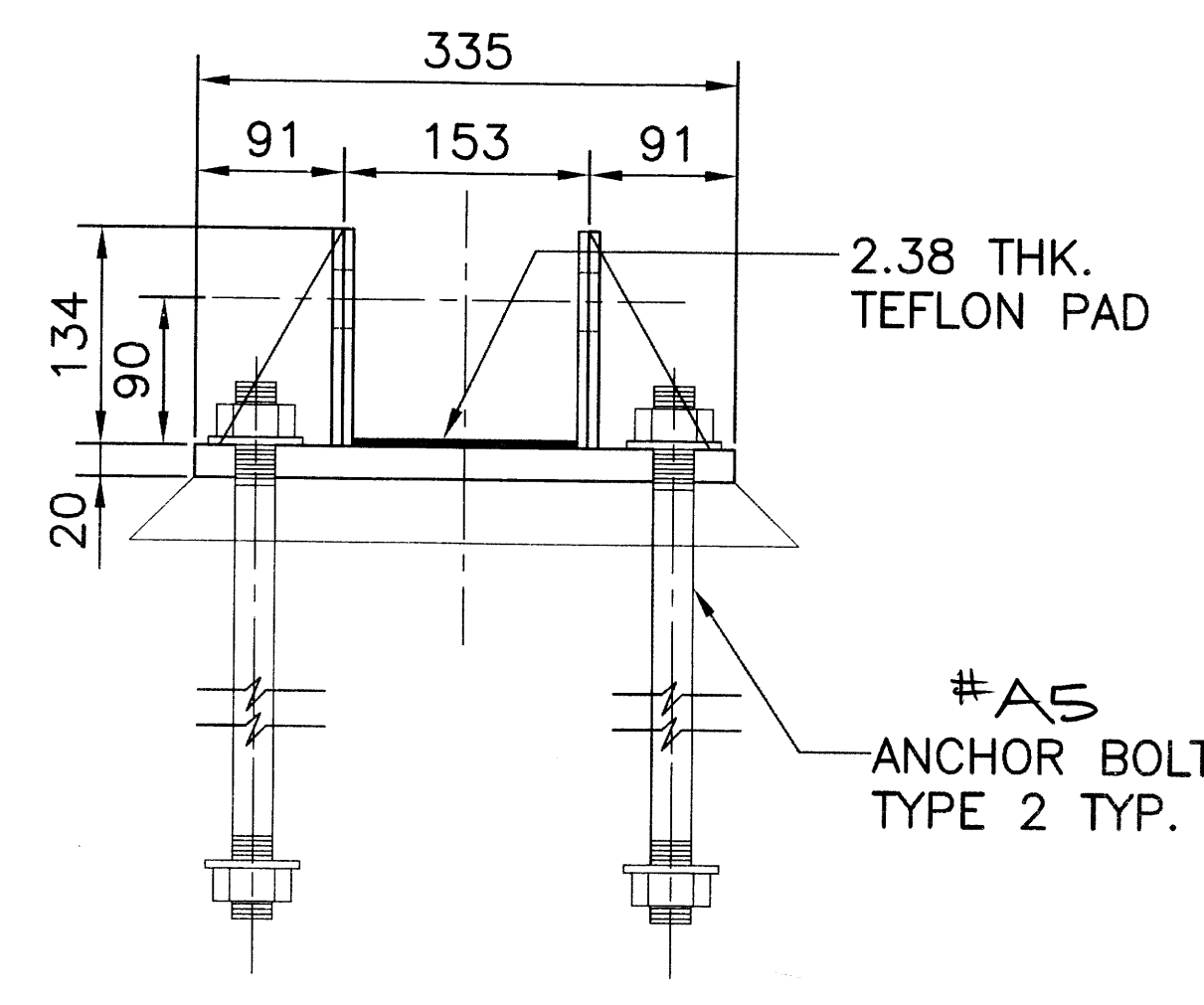
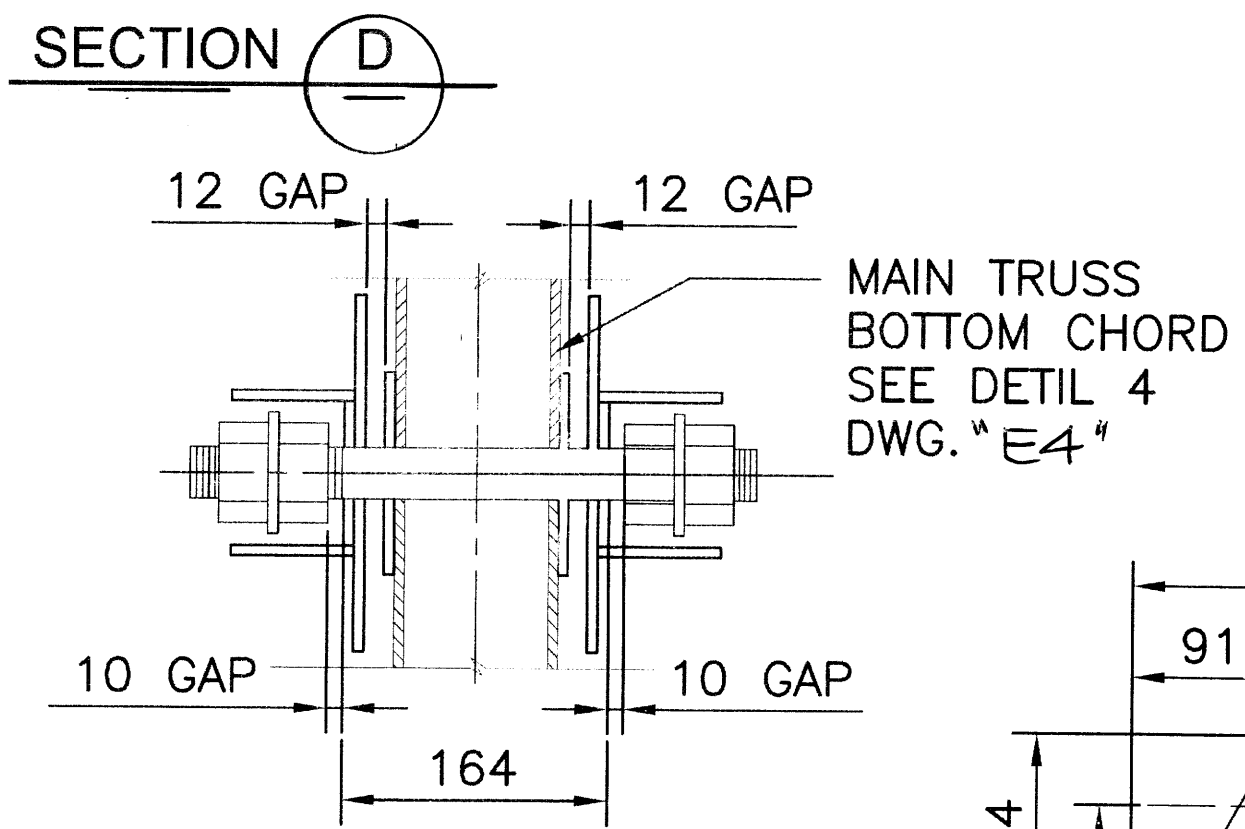
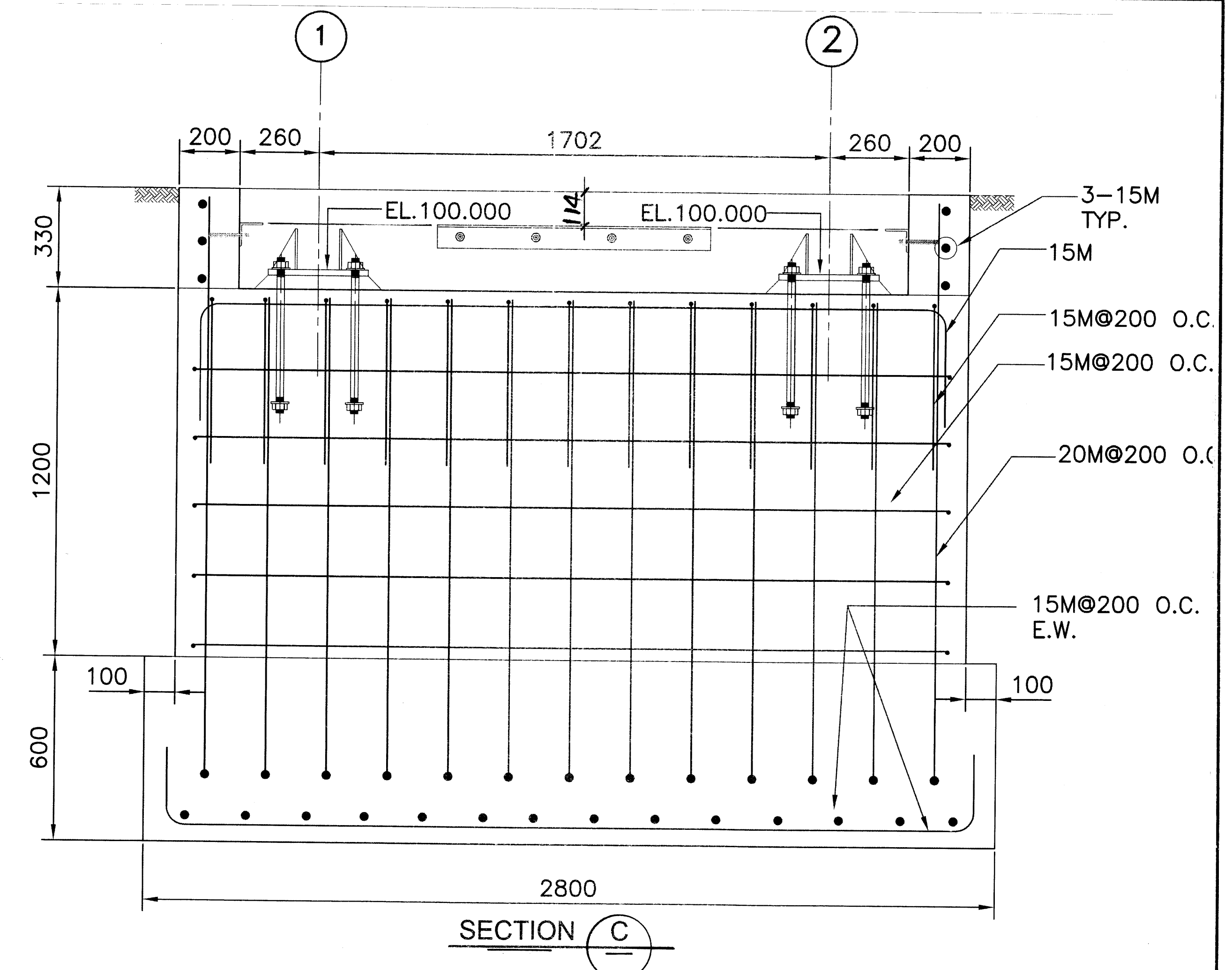
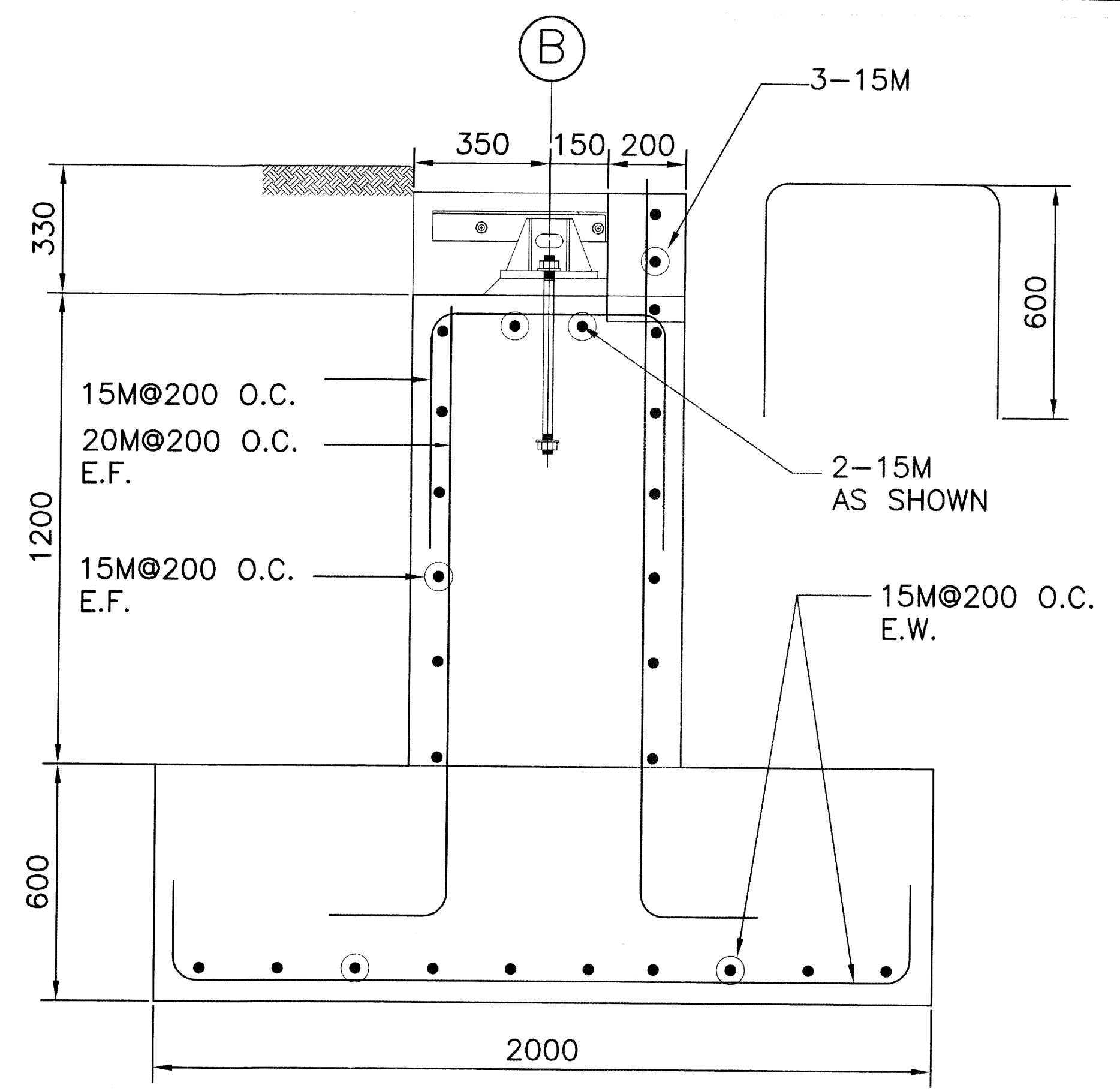
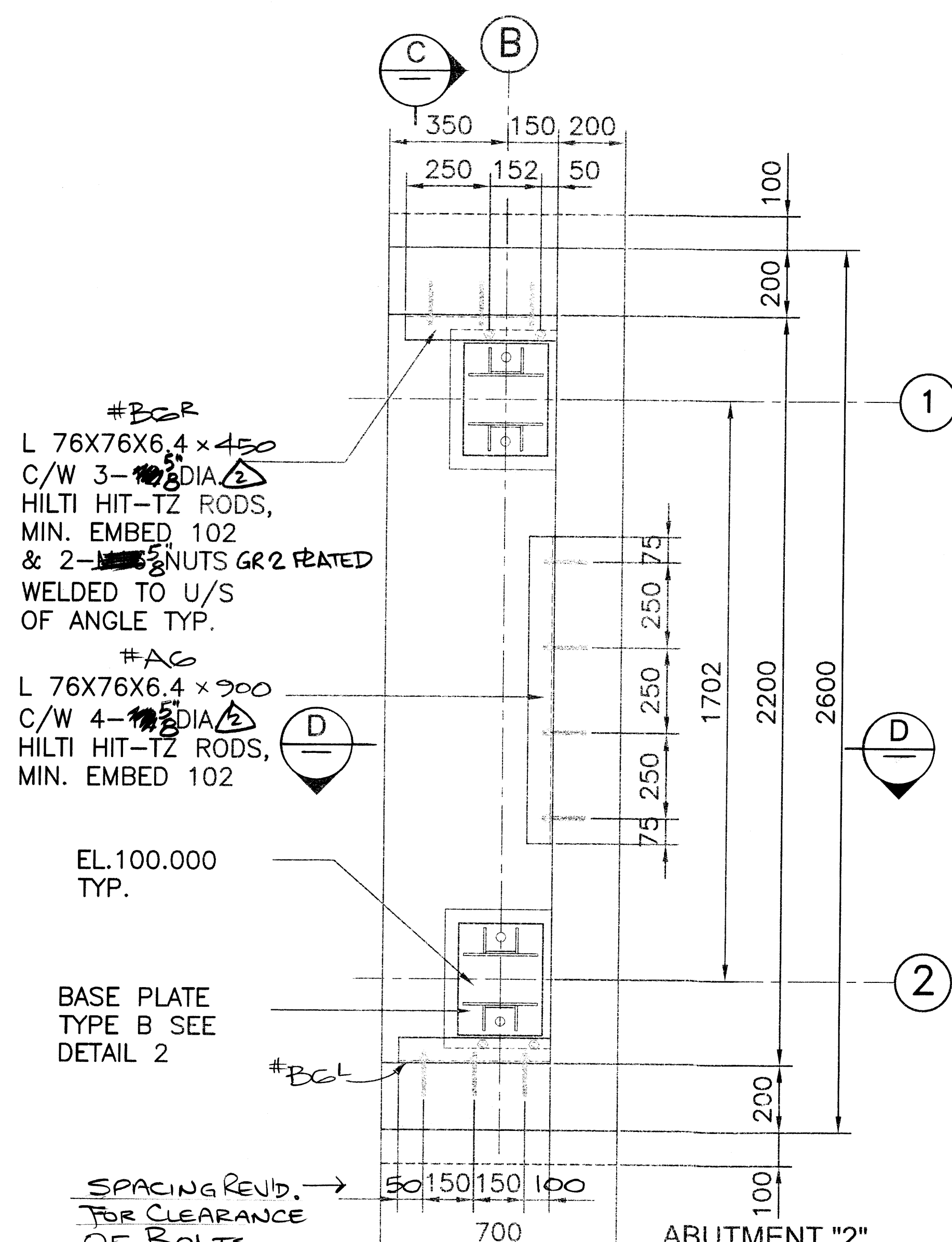


#AG
 L 76X76X6.4 x 300 L.
 C/W 4-~~16~~ 5/8" DIA.
 HILTI HIT-TZ RODS,
 MIN. EMBED 102
 #BOL
 L 76X76X6.4 x 450
 C/W 3-~~16~~ 5/8" DIA.
 HILTI HIT-TZ RODS,
 MIN. EMBED 102
 & 2-~~16~~ 5/8" NUTS GR 2 PLATED
 WELDED TO U/S
 OF ANGLE TYP.

ABUTMENT A1

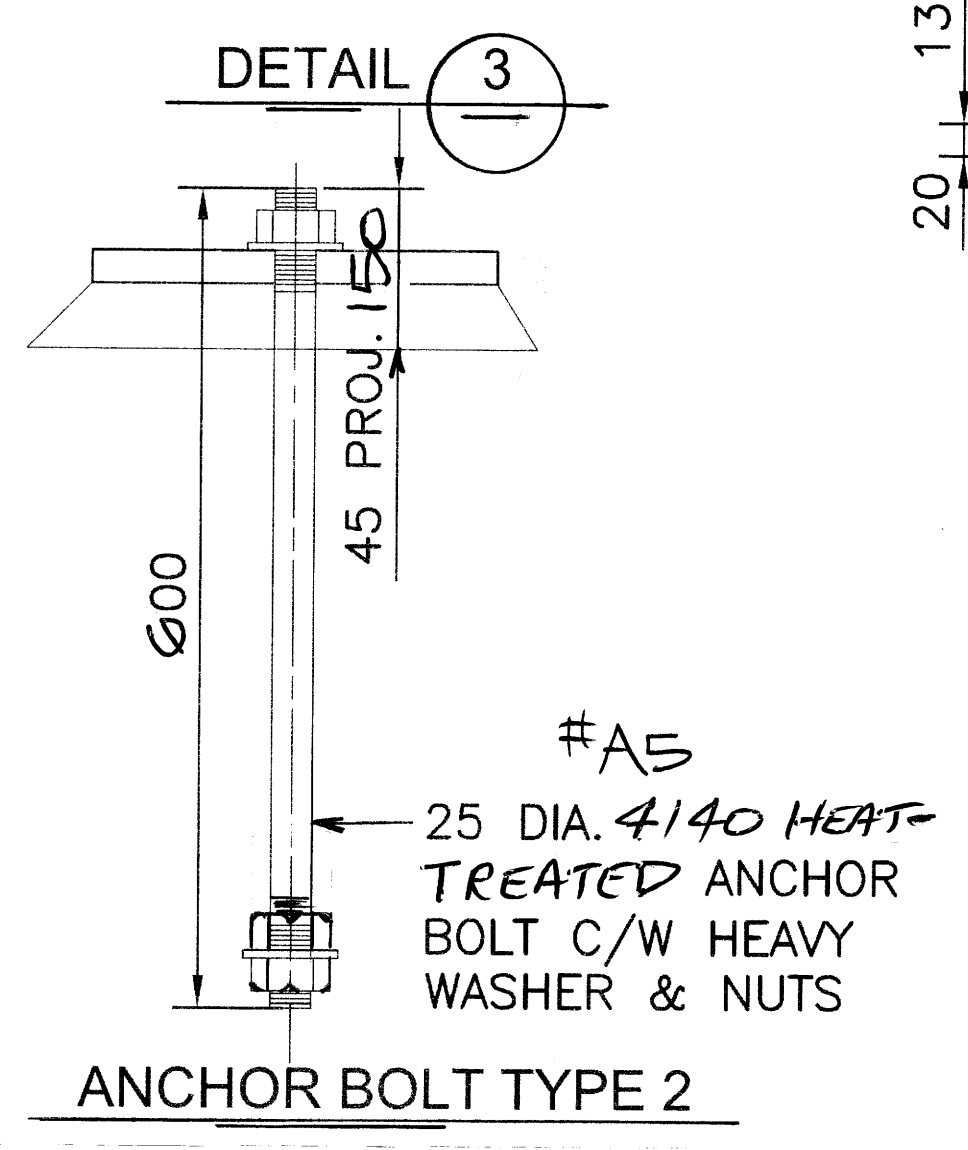
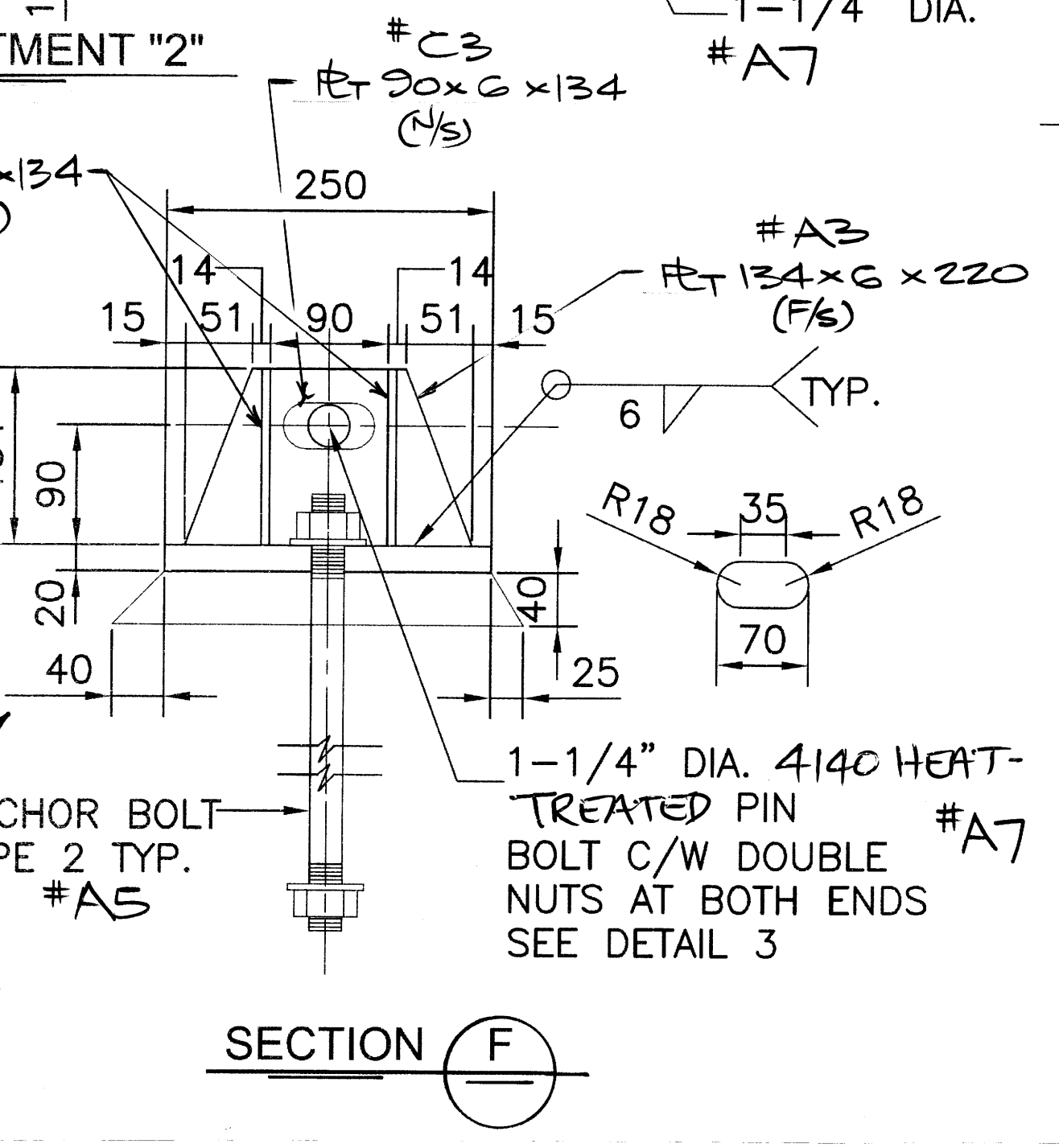
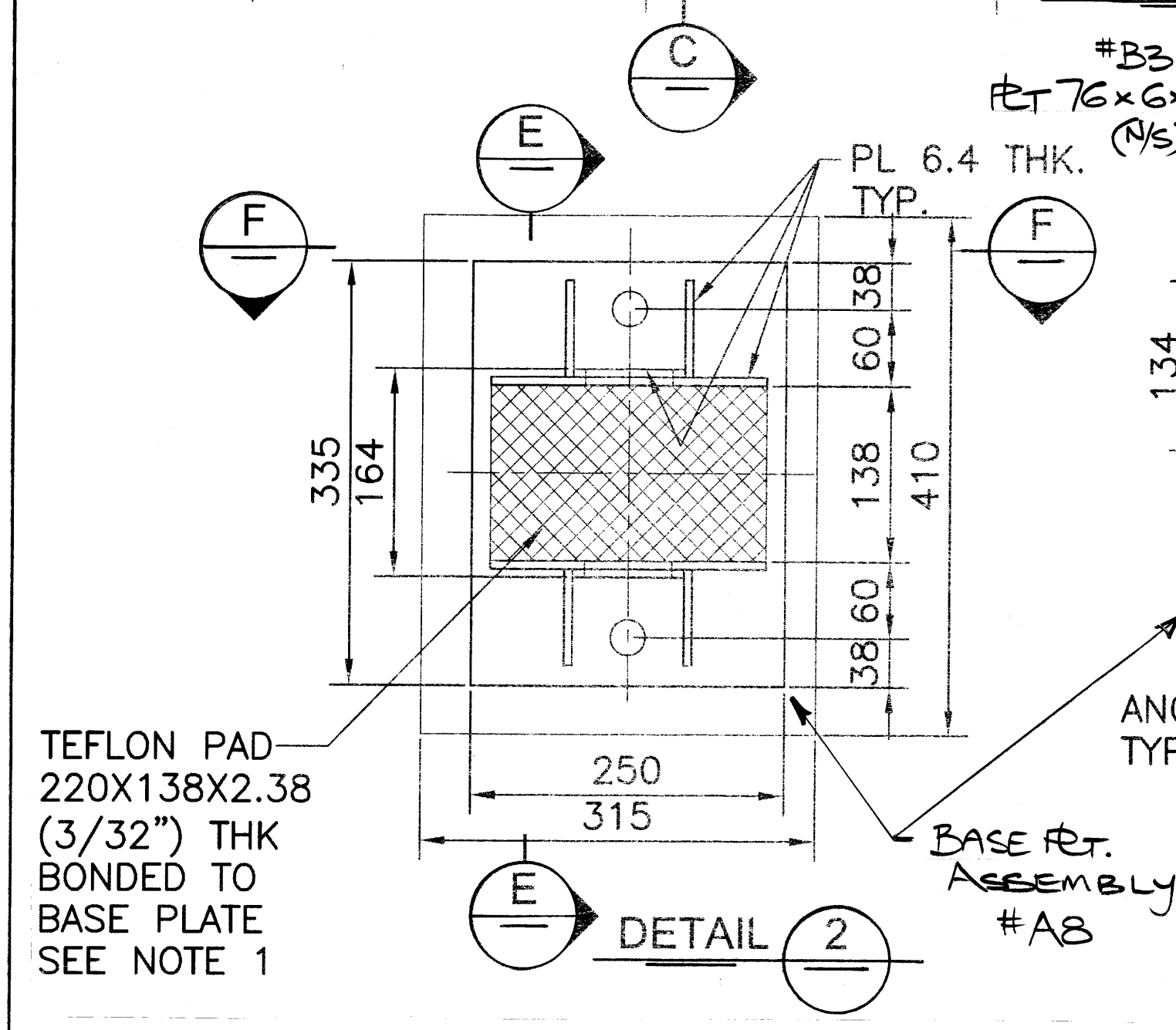


THREE STAR STEEL (CALGARY) LTD.					
DESCRIPTION: SPRAY RIVER BRIDGE BANFF NATIONAL PARK					
DETAIL: ABUTMENT A1 - SECTIONS & DETAILS					
PURCHASER: RYMAD ENGINEERING INC.					
REV. T Z ANCHORS NOV 25/11	NOV 25/11	NOV 25/11	NOV 25/11	NOV 25/11	NOV 25/11
REV. TO SUIT REVIEW NOV 25/11	NOV 25/11	NOV 25/11	NOV 25/11	NOV 25/11	NOV 25/11
NO.	REVISION	DATE	SCALE	DWG. No.	REV.
				C-3280 E2	2

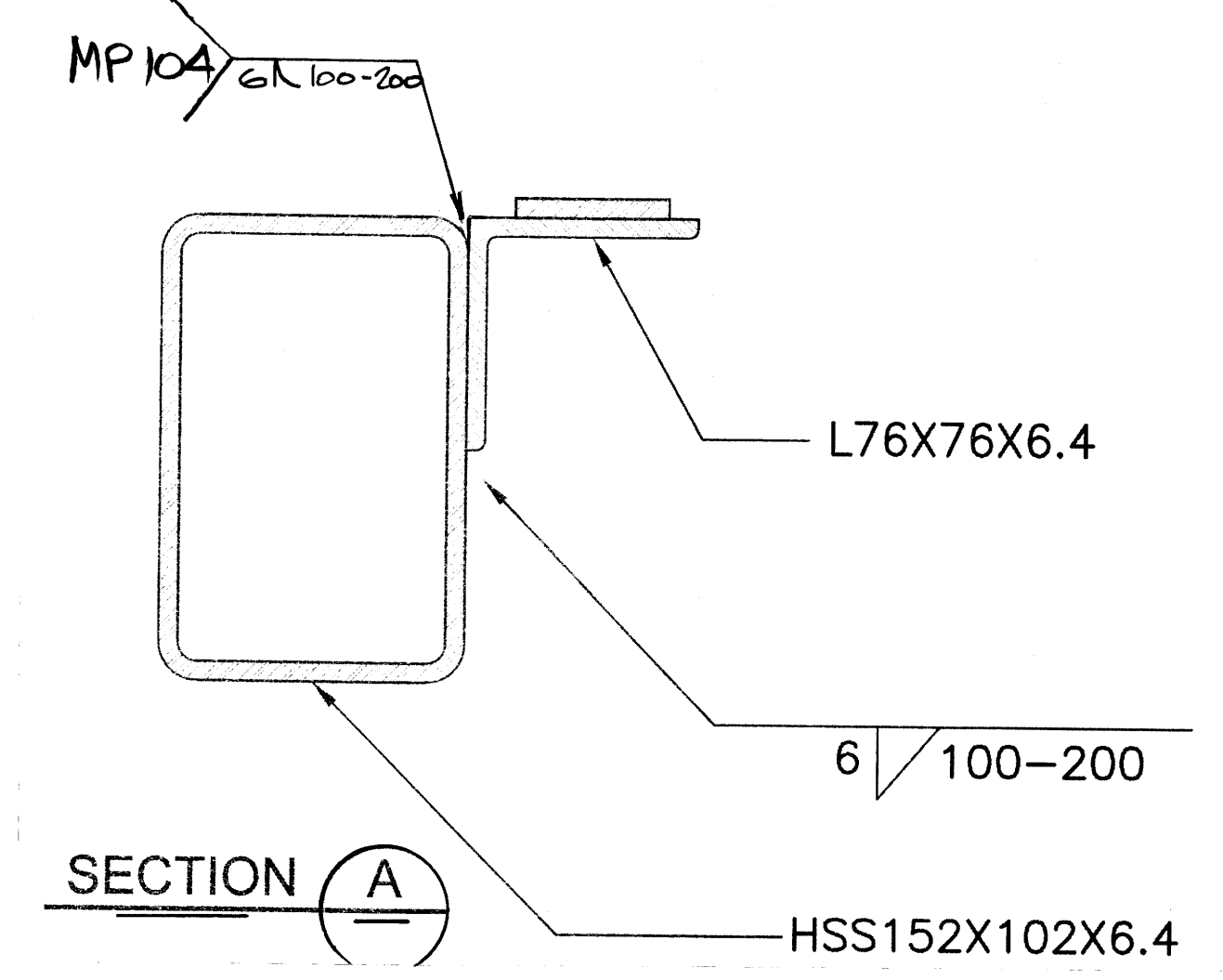
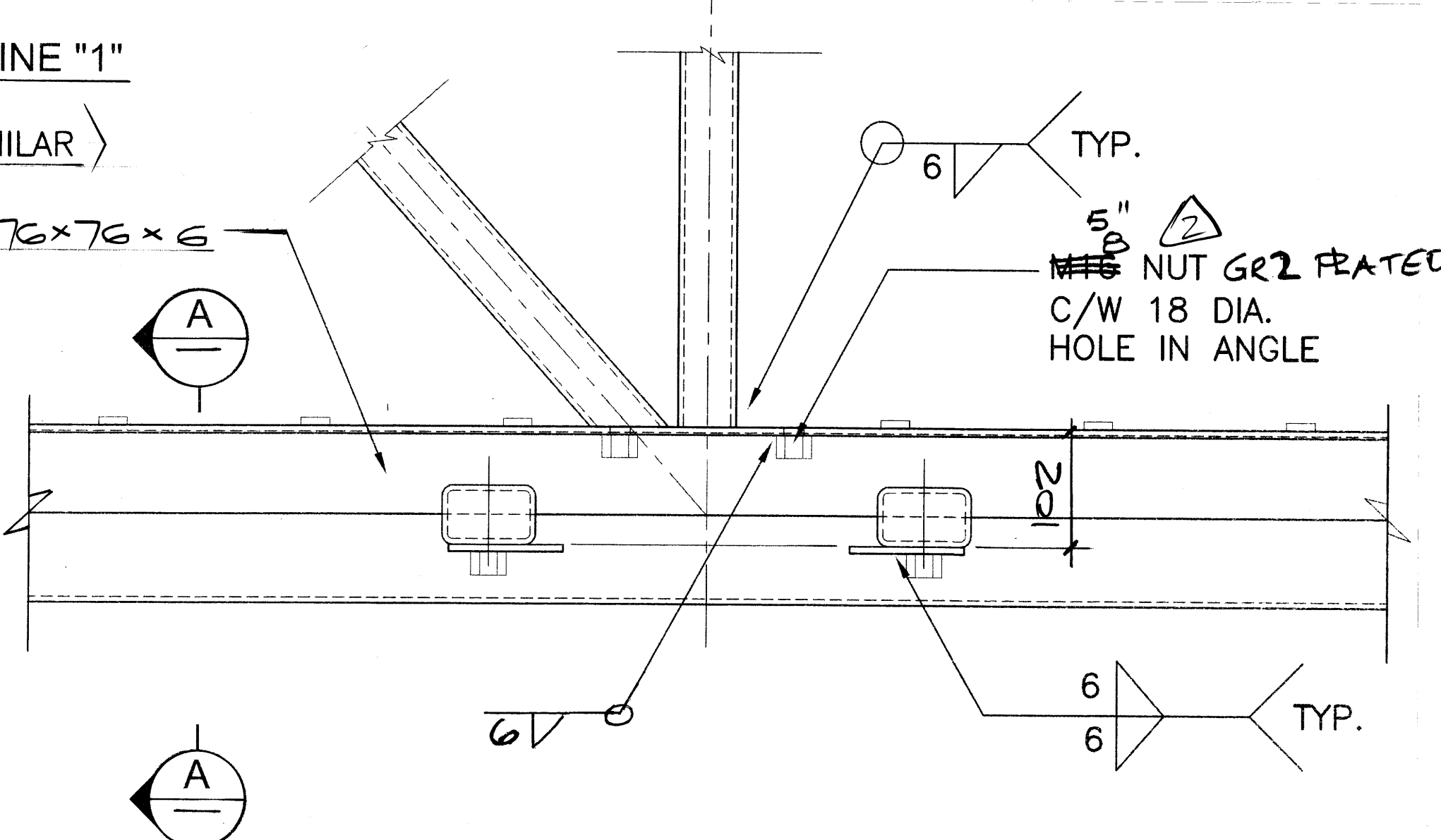
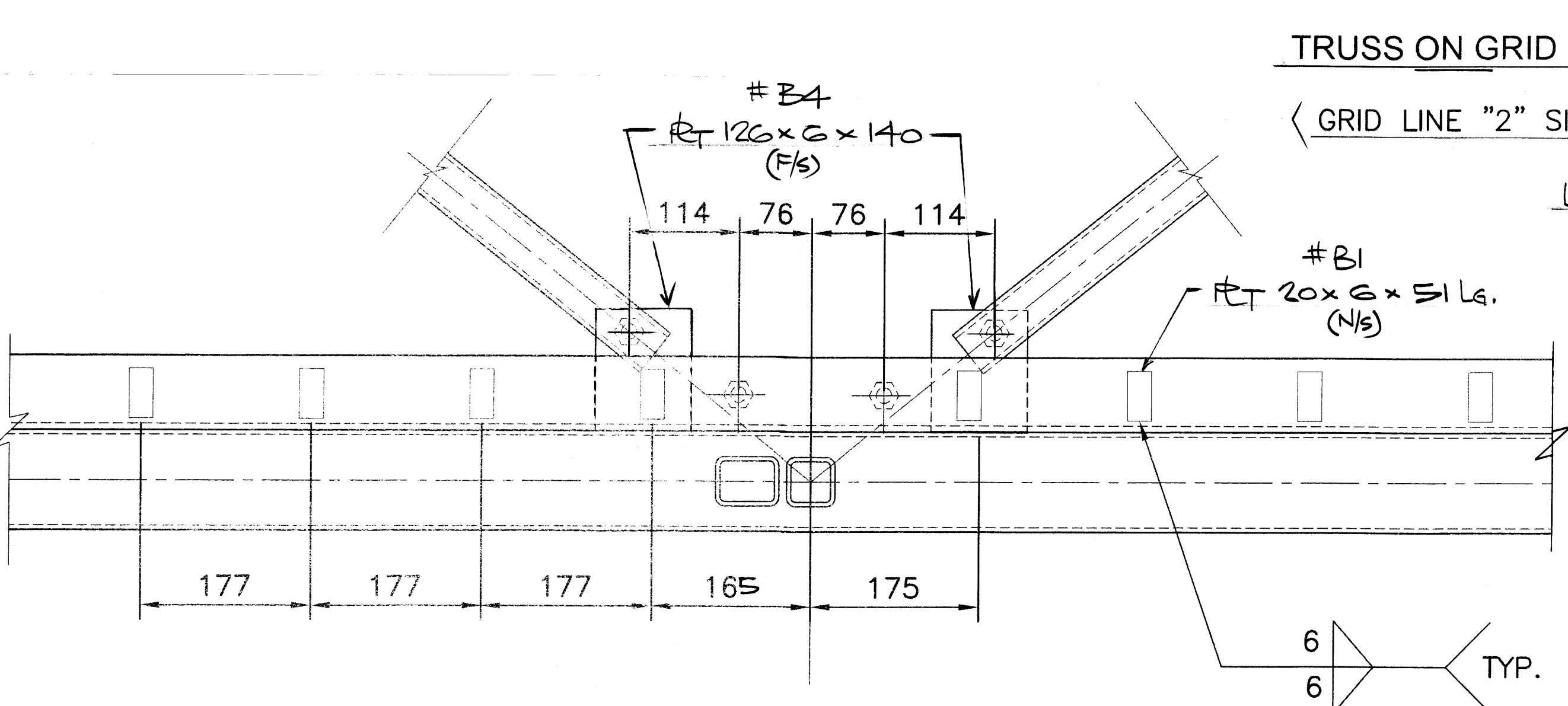
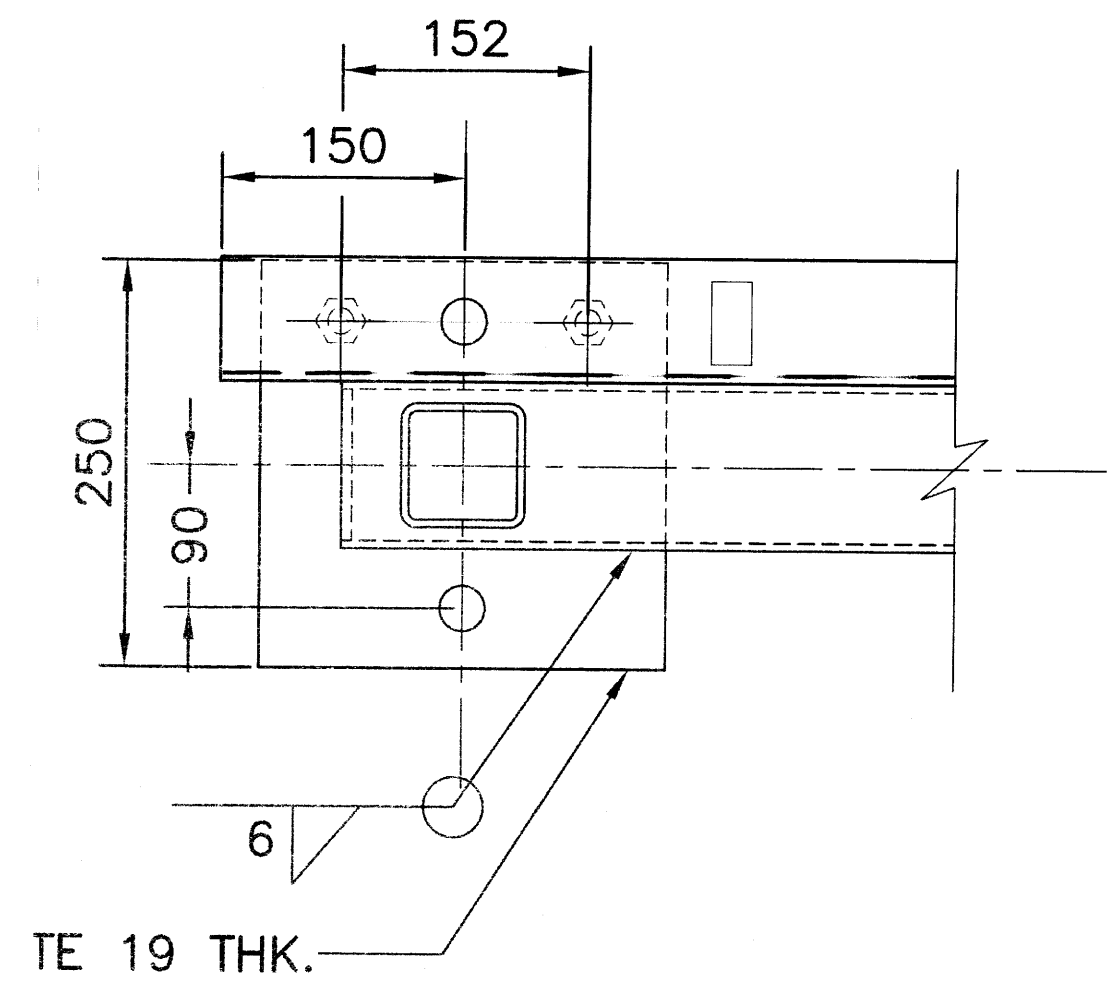
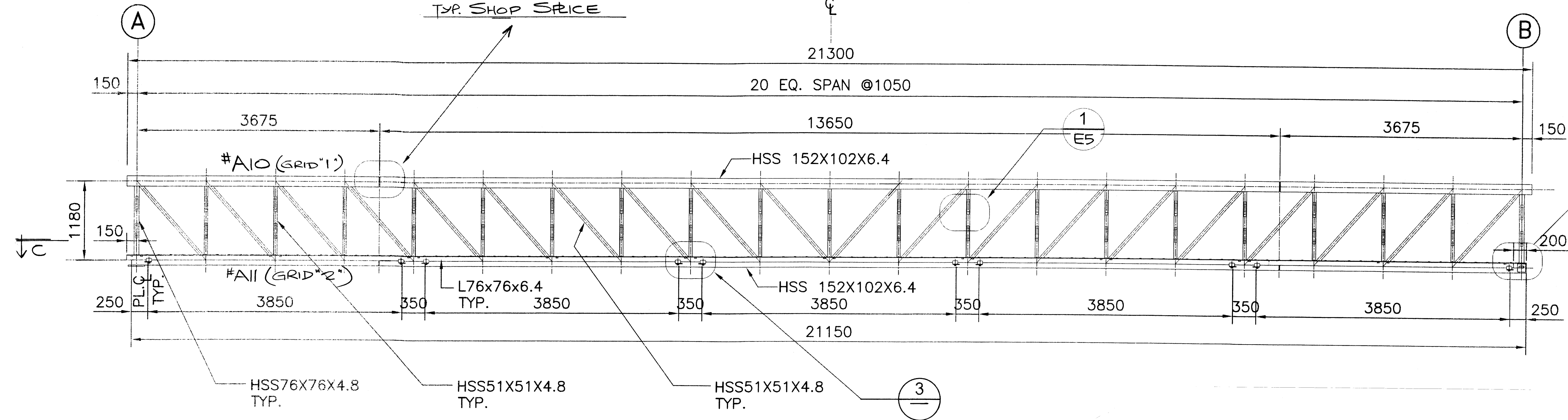
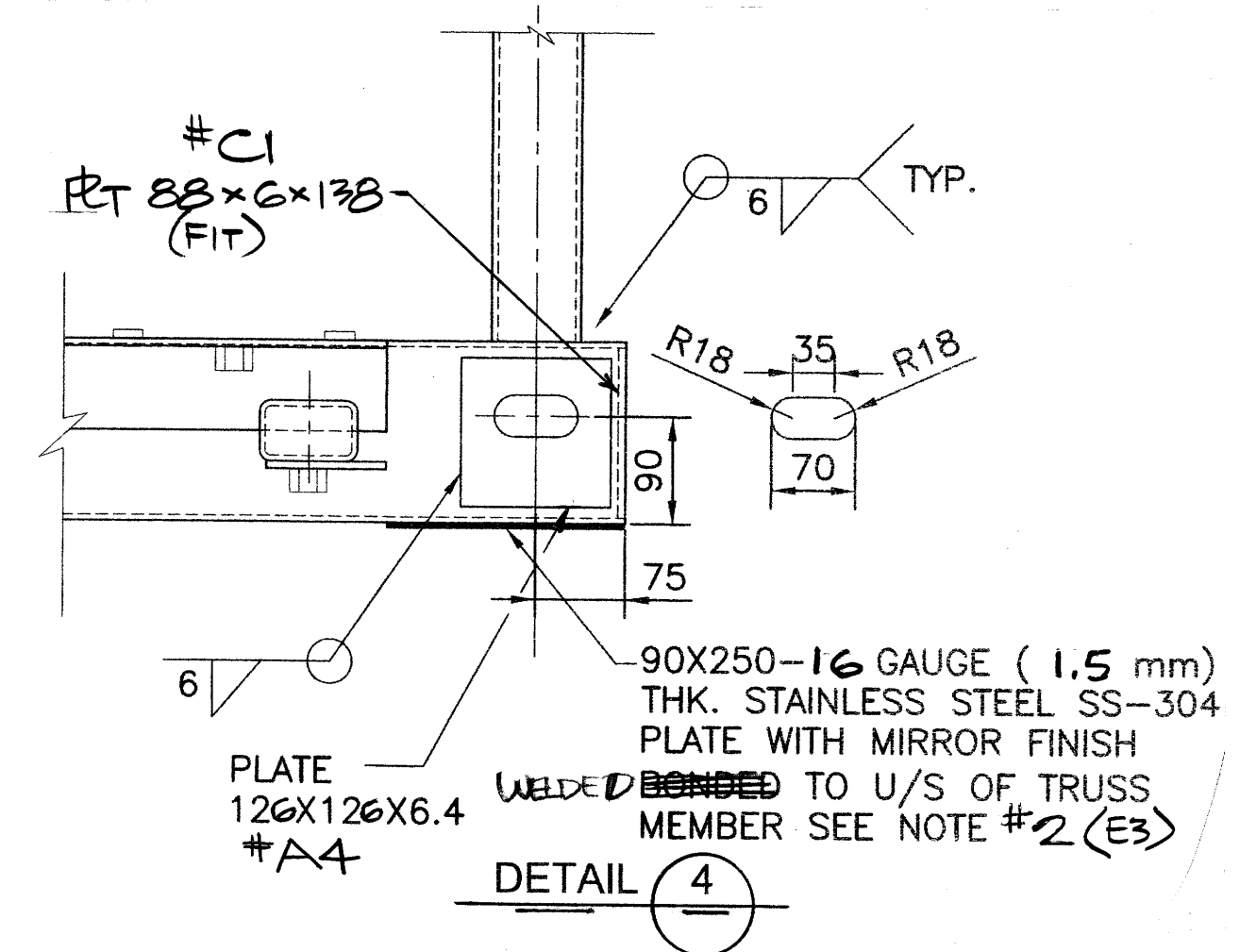
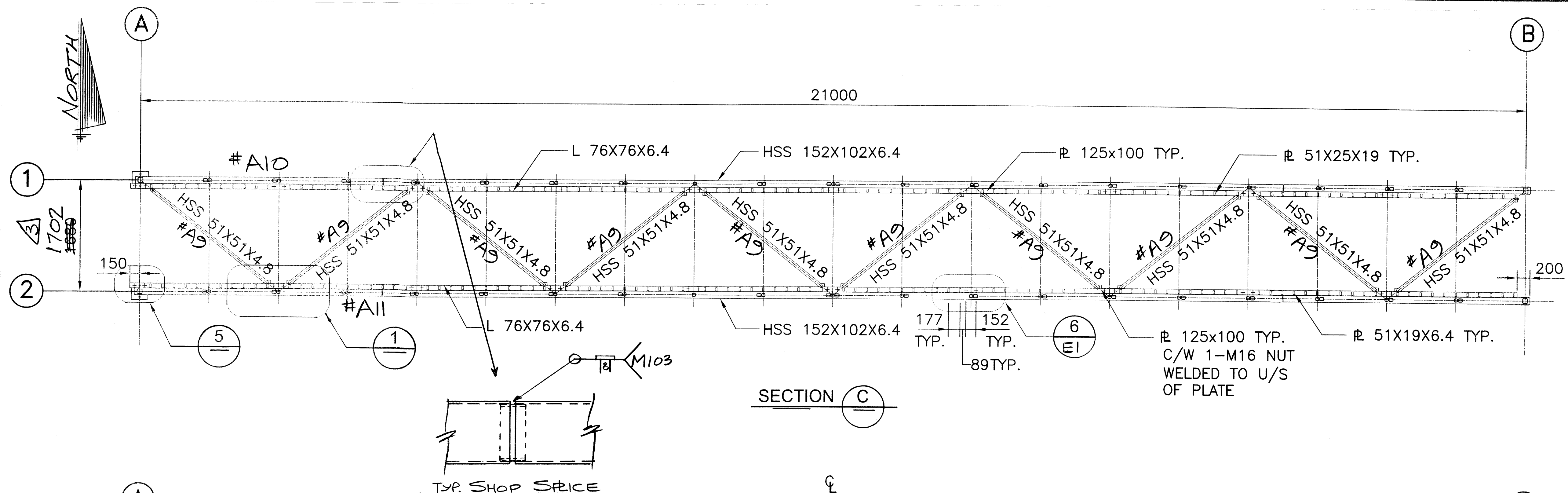


NOTE: ³ ~~3M SCOTCH WELD EPOXY ADHESIVE DP125 GRAY~~ **TEX-O-LON ADH-600/NOGG 2 PART EPOXY**

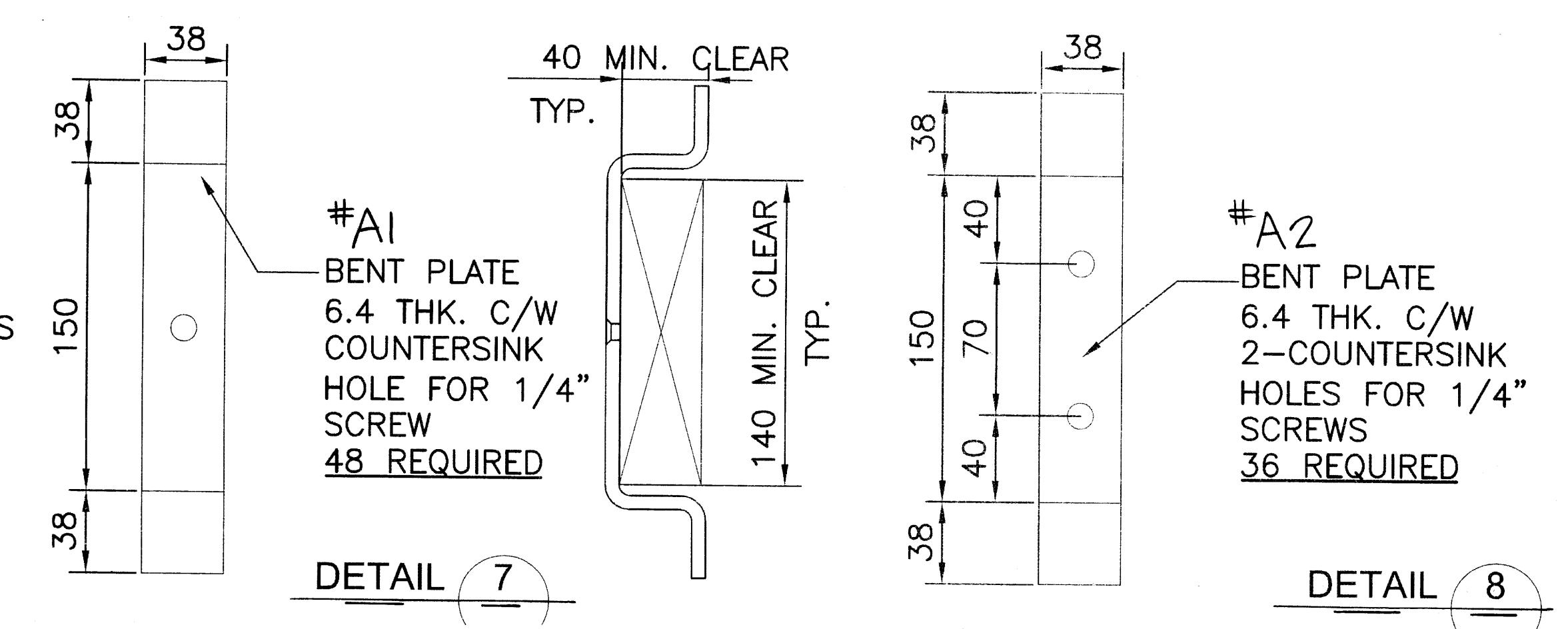
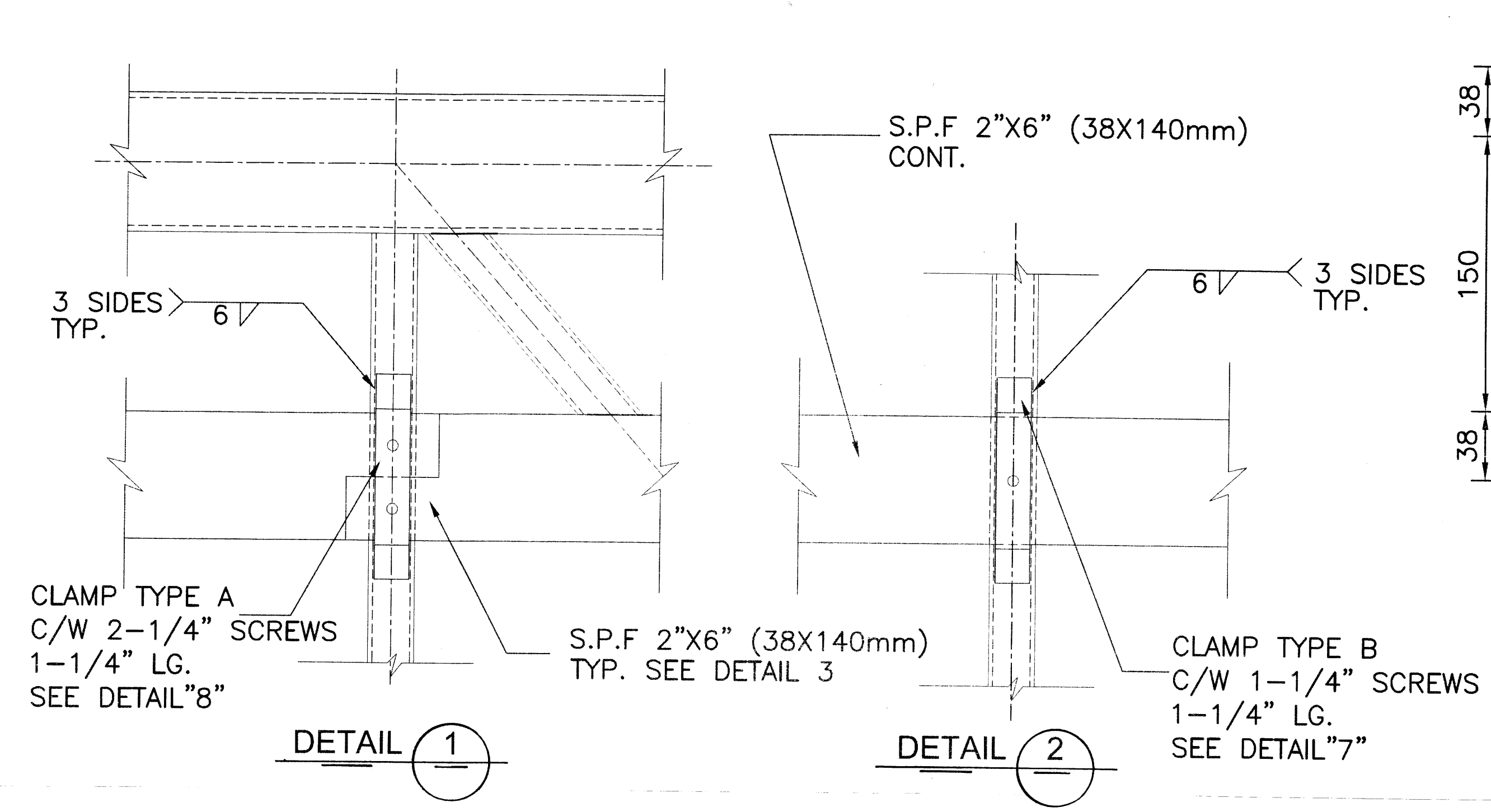
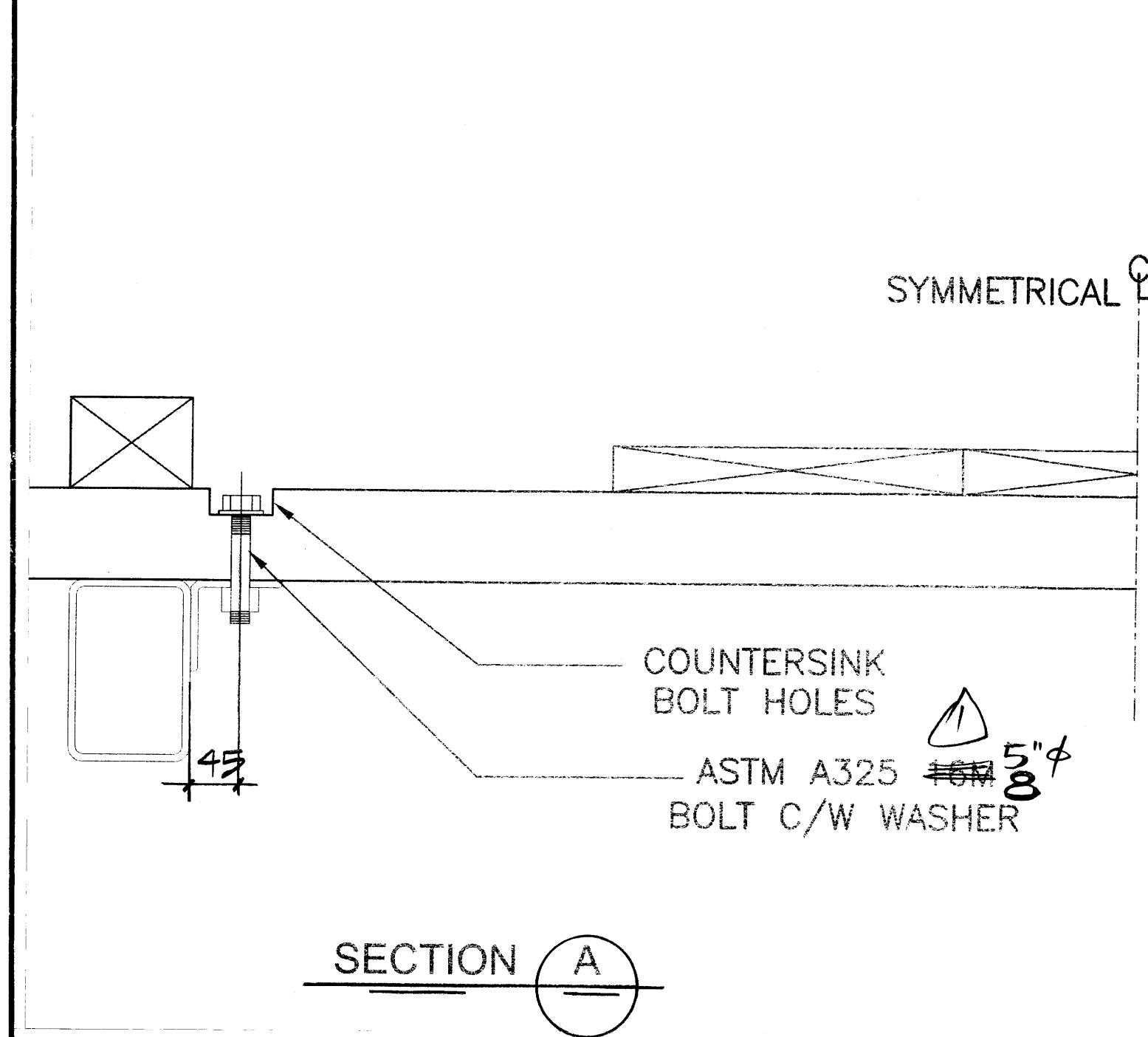
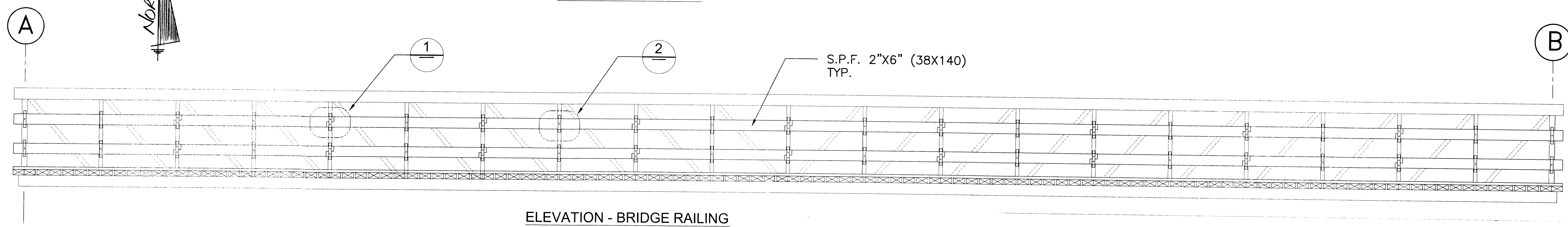
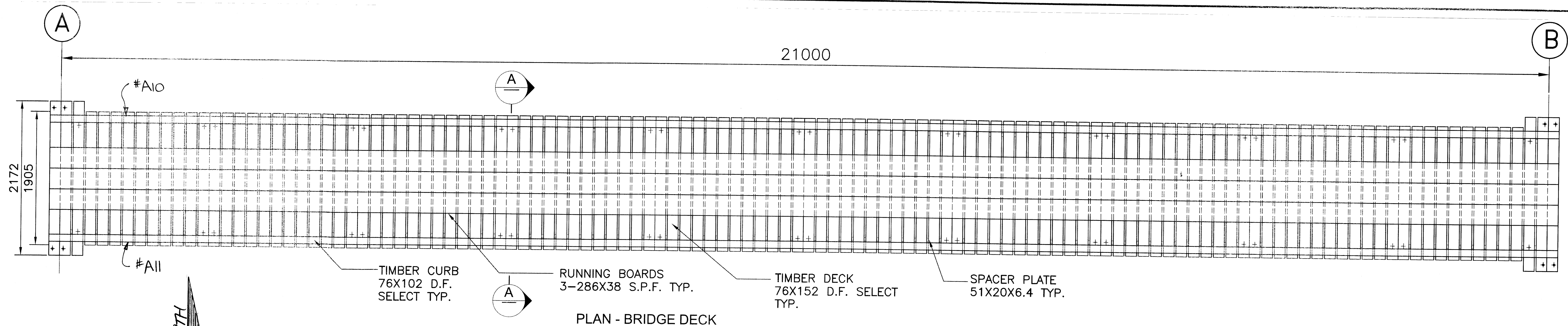
1. TEFLON PAD SHALL BE ATTACHED TO STEEL BASE PLATE USING ~~3M SCOTCH WELD EPOXY ADHESIVE DP125 GRAY~~ MANUFACTURER'S TECHNICAL RECOMMENDATION IN SURFACE PREPARATION AND INSTALLATION OF THE MATERIAL SHALL BE FOLLOWED.
2. STAINLESS STEEL PAD SHALL BE WELDED TO HSS BTM. CHORD USING ~~3M SCOTCH WELD EPOXY ADHESIVE DP125 GRAY~~ TECHNICAL RECOMMENDATION IN SURFACE PREPARATION AND INSTALLATION OF THE MATERIAL SHALL BE FOLLOWED.



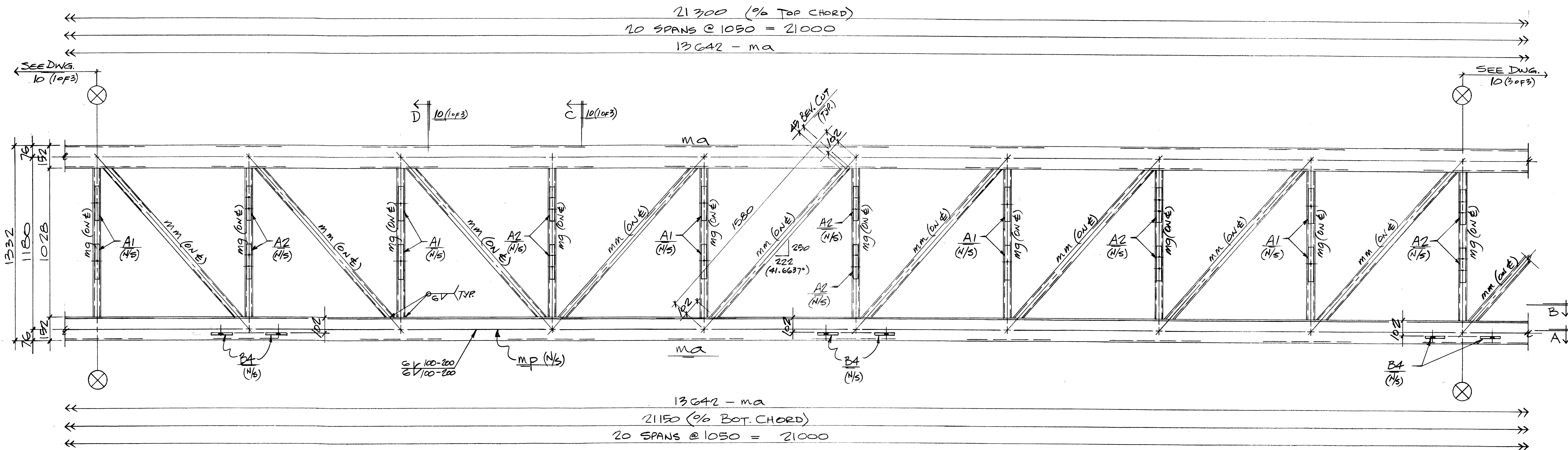
THREE STAR STEEL (CALGARY) LTD.				
DESCRIPTION: SPRAY RIVER BRIDGE BANFF NATIONAL PARK				
DETAIL: ABUTMENT #2 - SECTIONS & DETAILS				
PURCHASER: RYMAD ENGINEERING INC.				
REV. #	DESCRIPTION	DATE	BY	DATE
①	REV. TO SUIT REVIEW	NOV 23/11	GHD	NOV 23/11
②	REV. TO SUIT REVIEW	NOV 23/11	GHD	NOV 23/11
③	REV. TO SUIT REVIEW	NOV 23/11	GHD	NOV 23/11
JOB No. C-3280			DWG. No. E3	REV. ③



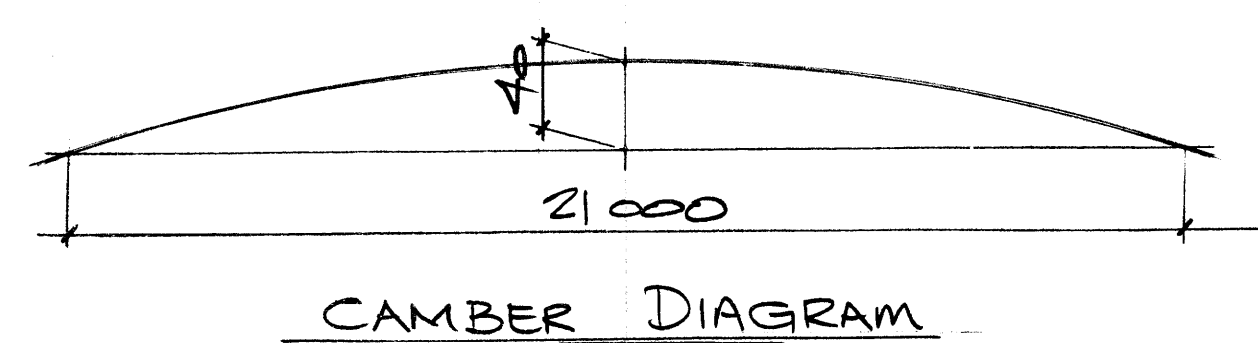
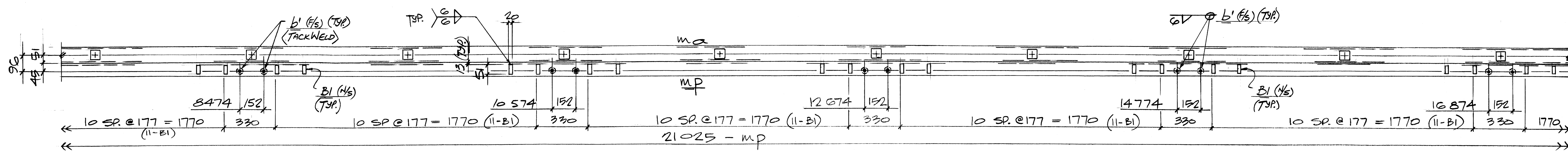
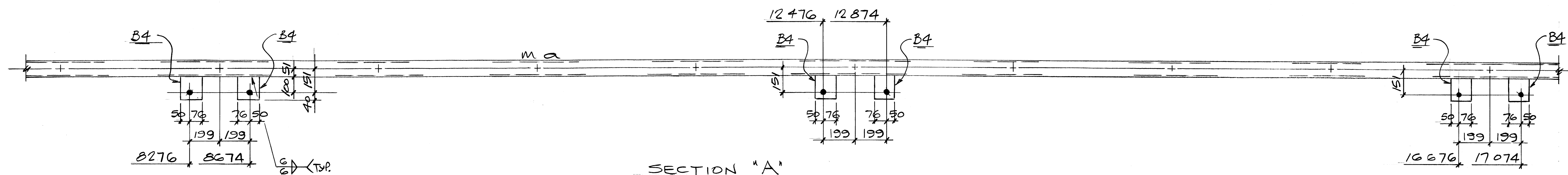
THREE STAR STEEL (CALGARY) LTD.			
DESCRIPTION: SPRAY RIVER BRIDGE BANFF NATIONAL PARK			
DETAIL: BRIDGE RAN & TRUSS ELEVATION			
PURCHASER: RYMAD ENGINEERING INC.			
3	REV ^D WIDTH TO MATCH SECT. DEC 9/11	DATE: NOV 25/11	JOB No.
2	REV ^C NUT	DATE: NOV 25/11	DWG. No.
1	REV ^B TO SUIT REVIEW	DATE: NOV 25/11	SCALE:
No.	REVISION	DATE	SCALE
			C-3280 E4



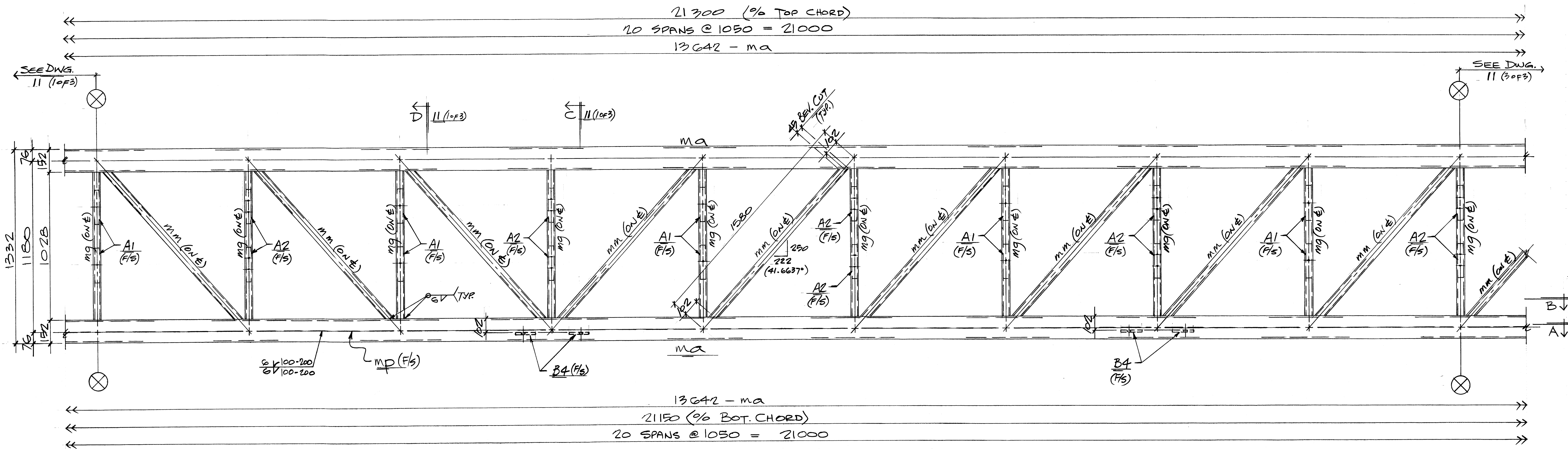
THREE STAR STEEL (CALGARY) LTD.					
DESCRIPTION: SPRAY RIVER BRIDGE BANFF NATIONAL PARK					
DETAIL: PLAN ELEVATION SECTIONS BRIDGE DECK - BRIDGE RAILING - #DETAILS					
PURCHASER: RYMAD ENGINEERING INC.					
OWN. BY: GHD	DATE: Nov/11	JOB No.	DWG. No.	REV.	
REV. BOLT	NOV 25/11	SCALE:	C-3280	E5	



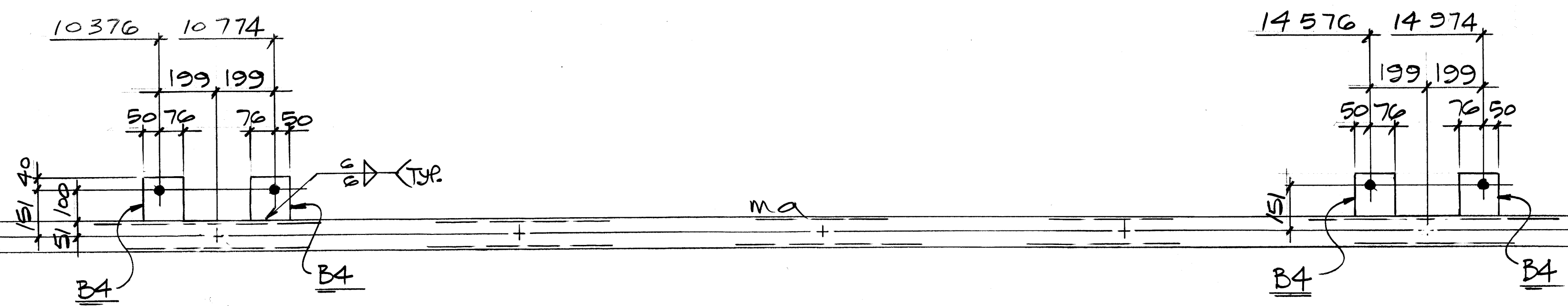
ONE - TRUSS REQ'D. - A10



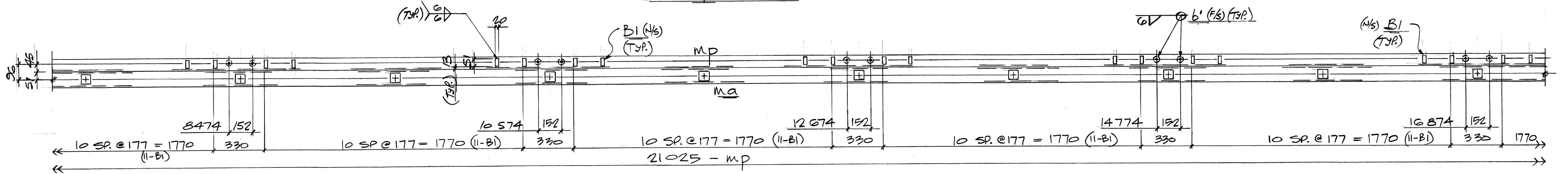
		THREE STAR STEEL (CALGARY) LTD.	
		DESCRIPTION: SPRAY RIVER BRIDGE	
		BANFF NATIONAL PARK SHOP	
		DETAIL: BRIDGE TRUSS (GRID #1) NOV 24 2011	
		PURCHASER: RYMAD ENGINEERING INC. ISSUED	
② MOVED B4 RE'S	DEC. 9/11	DATE: NOV. 11	JOB No.
△ TO SUIT	NOV. 29/11	DATE: NOV. 11	DWG. No.
	GHD	DATE:	10
No.	REVISION	DATE	SCALE
			C-3280
			(2 of 3)



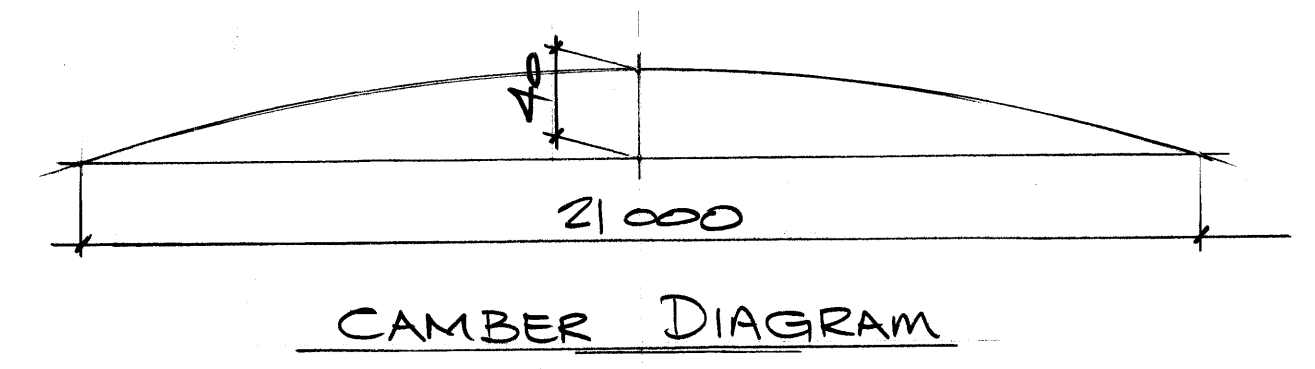
ONE - TRUSS REQ'D. - All



SECTION "A"



SECTION "B"



CAMBER DIAGRAM

		THREE STAR STEEL (CALGARY) LTD.	
		DESCRIPTION: SPRAY RIVER BRIDGE BANFF NATIONAL PARK SHOP	
		DETAIL: BRIDGE TRUSS (GRID #2) NOV 24 2011	
② MOVED B4 PL'S	DEC 9/11	PURCHASER: RYMAD ENGINEERING INC. ISSUED	
△ To Suit	Nov 23/11	DWN. BY: GHD	DATE: Nov 11
		CHD. BY: GHD	DATE:
No.	REVISION	DATE	SCALE
			C-3280 11 (2 of 3)

