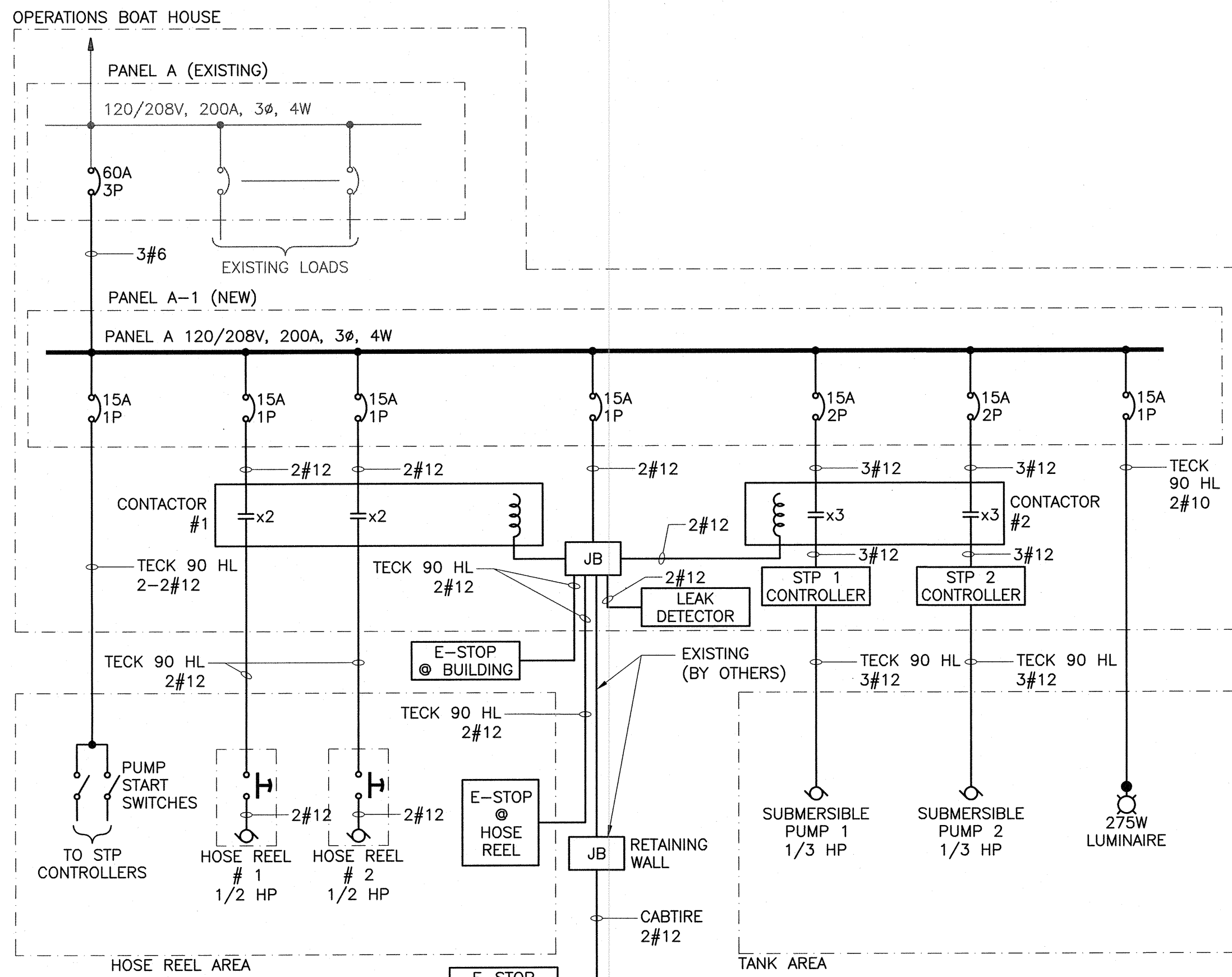
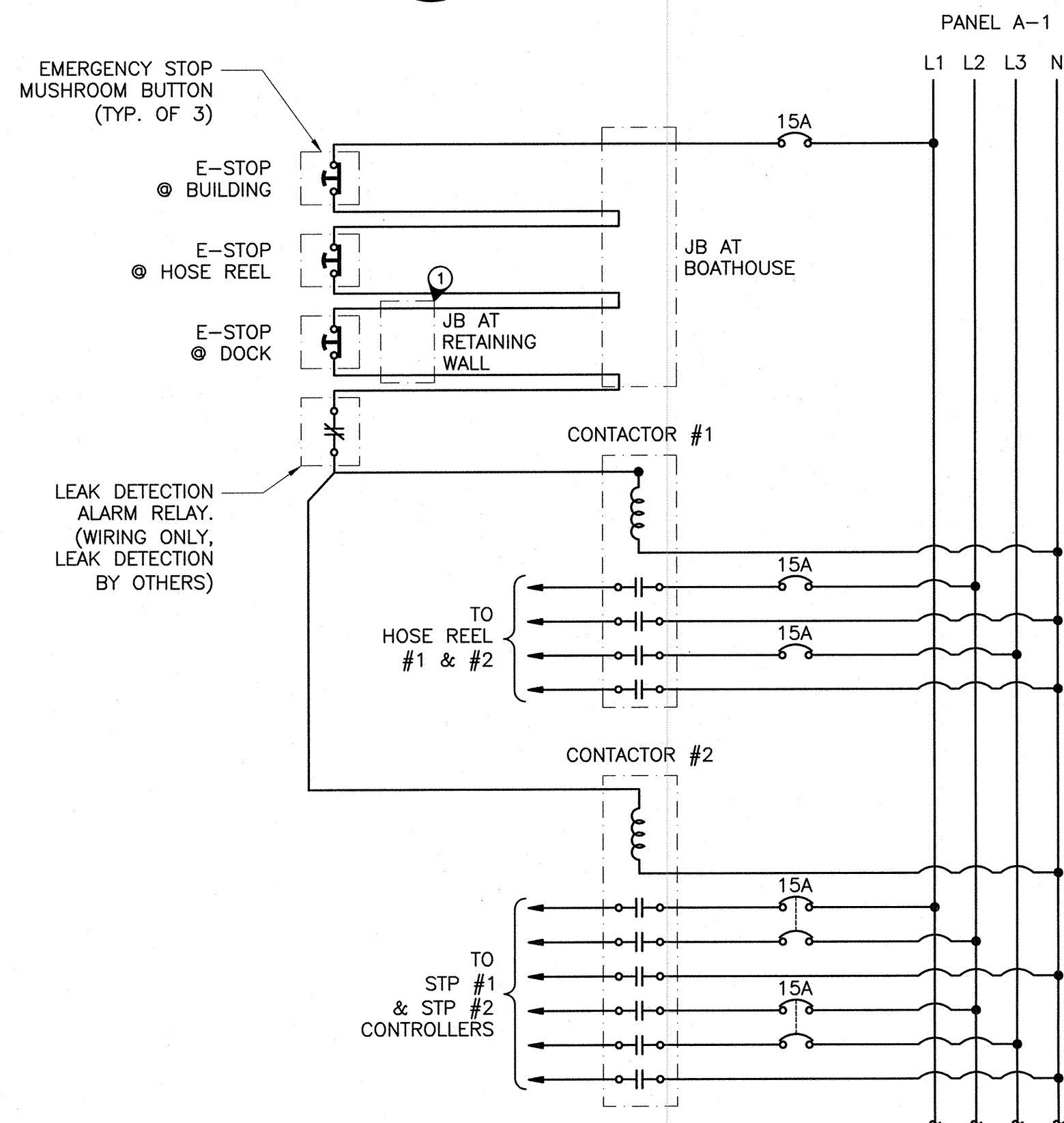


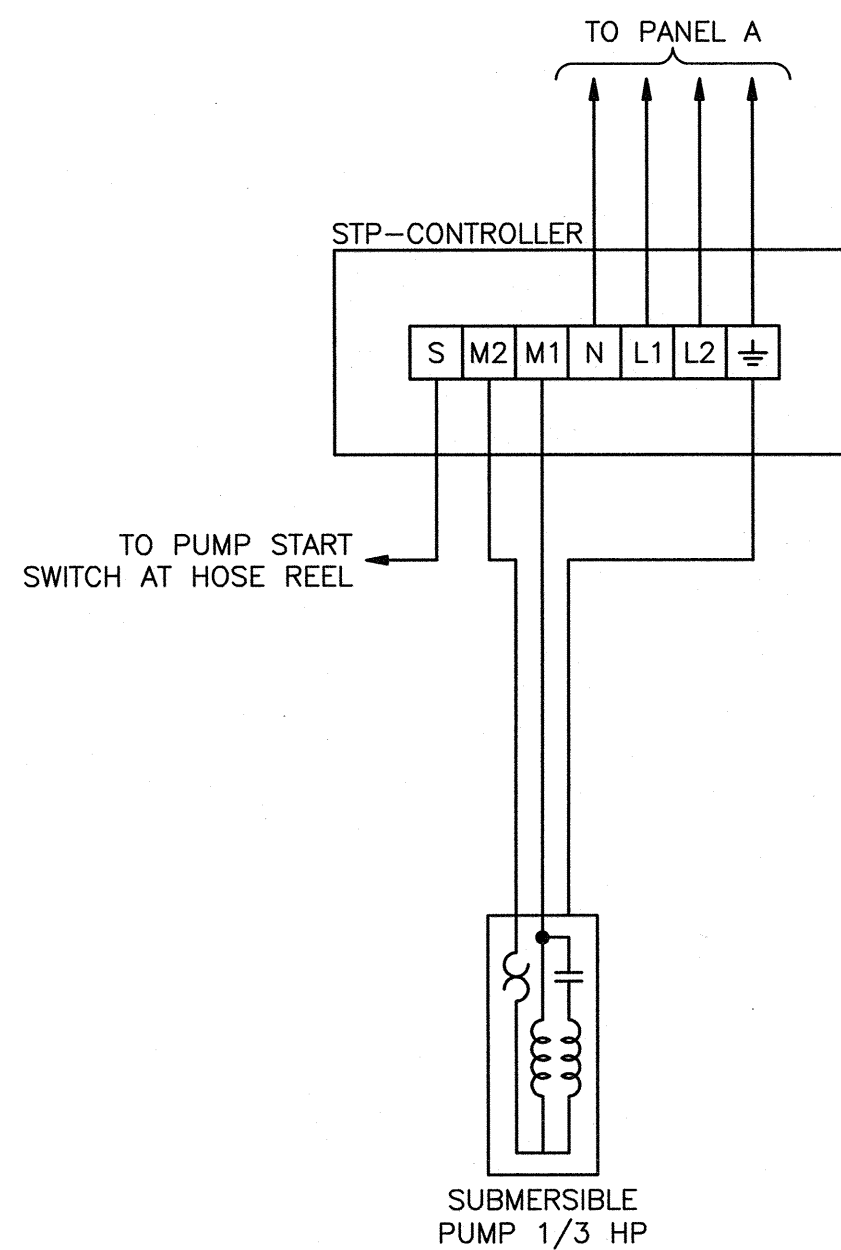
Size: UserDefinedMetric (914.00 X 1500.00MM) Plot: 9/17/2013 3:33 PM Plotted by: Stephane Gagnon  
 Path/FileName: V:\Projects\2012\121-24918-01 FDC Operations Building Bamfield - Construction Admin Services\DWG\Elect\Production\121-24918-01-ELEC.dwg



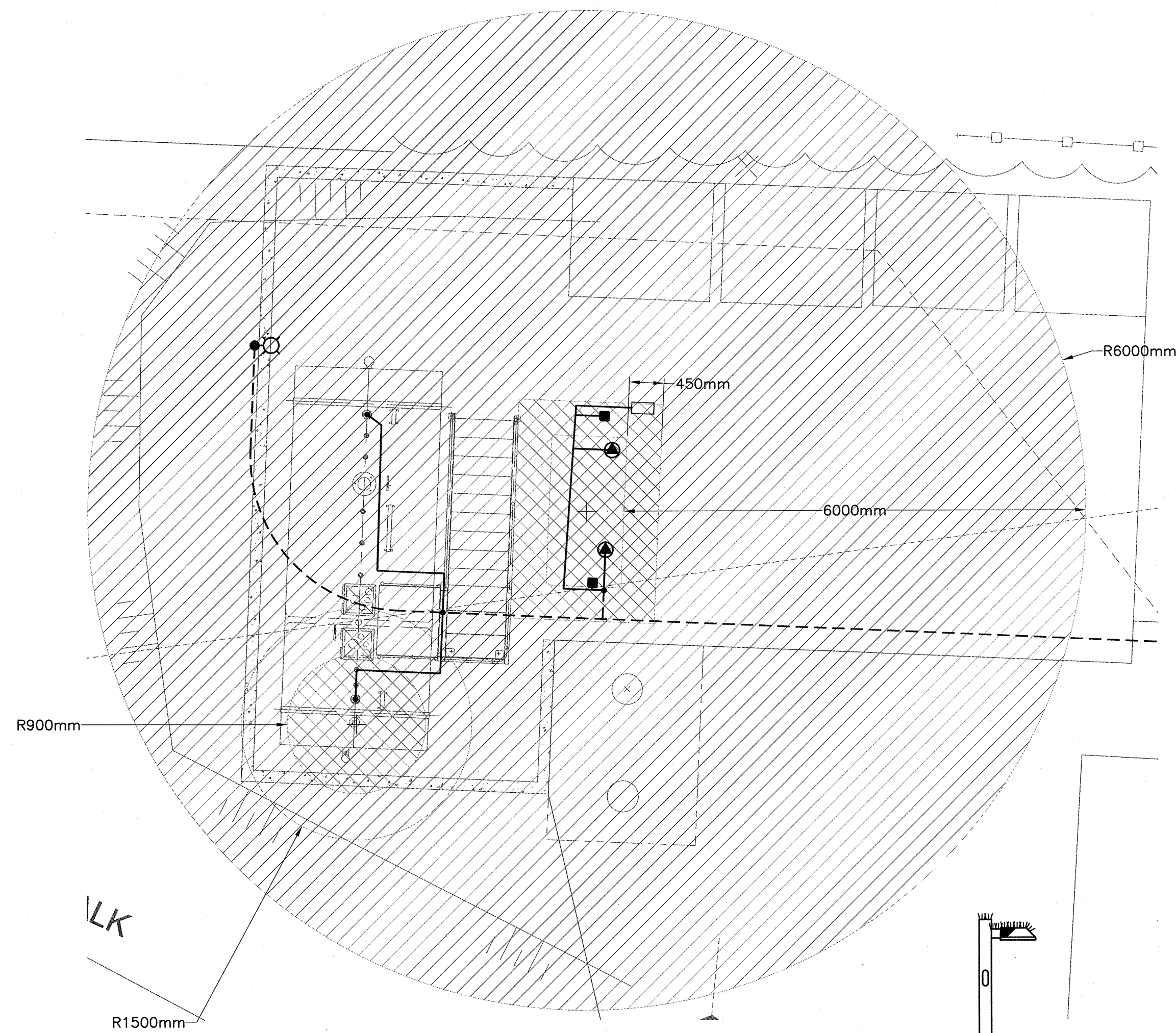
**1 SINGLE LINE DIAGRAM**  
N.T.S.



**3 WIRING DIAGRAM EMERGENCY STOP**  
N.T.S.



**4 TYPICAL WIRING DIAGRAM SUBMERSIBLE TURBINE PUMP CONTROLLER**  
N.T.S.

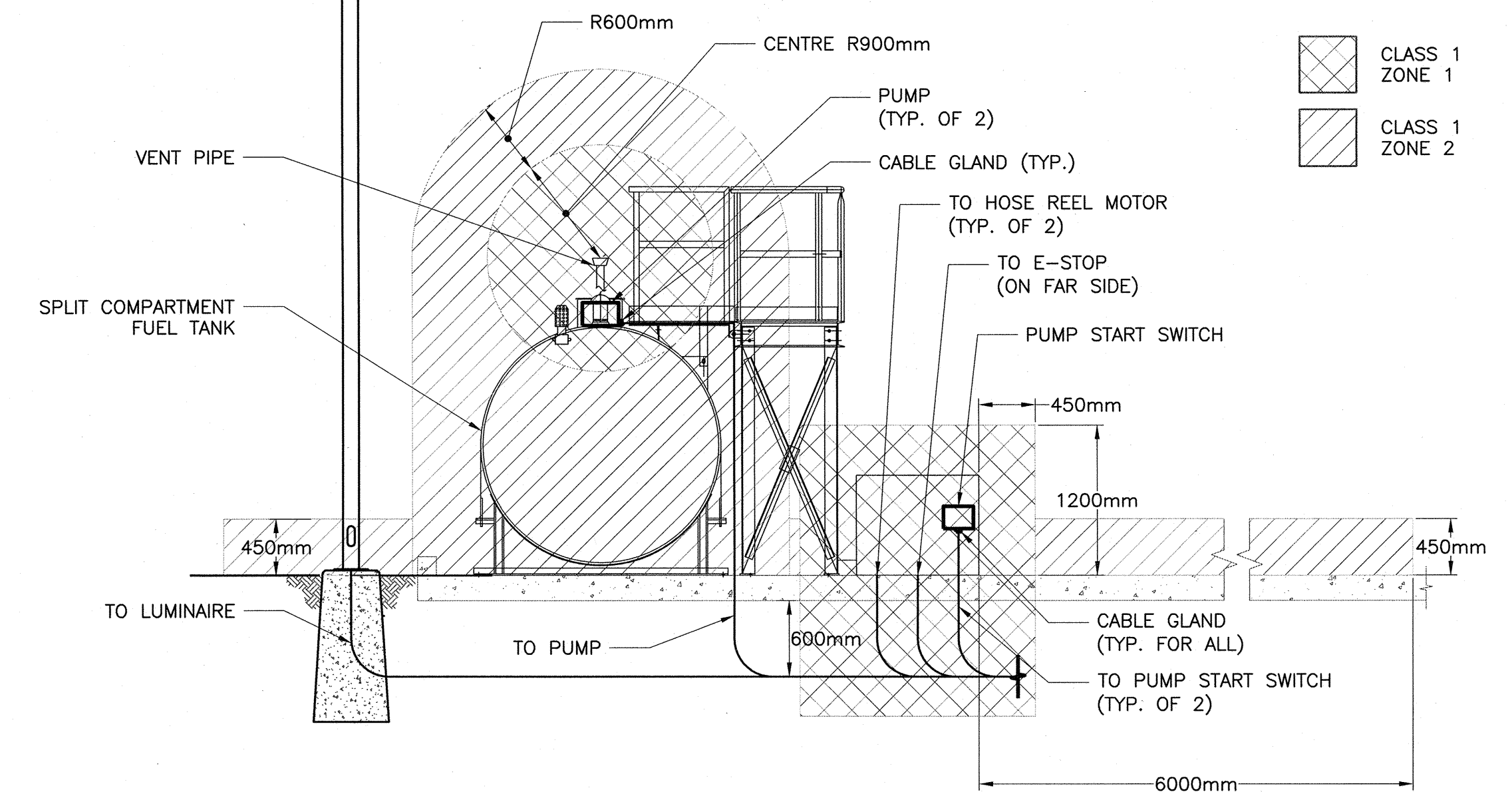


**2 HAZARDOUS AREA PLAN**  
N.T.S.

**GENERAL NOTES:**  
 1. CABLE GLANDS AND SEALING REQUIRED FOR ALL CONNECTIONS.  
 2. PROVIDE MECHANICAL PROTECTION AND STRAIN RELIEF FOR CABLES BETWEEN STUB-UPS AND DEVICES. (TYP.)

**KEYNOTES:**  
 ① INSTALLATION OF TECK (FOR E-STOP AT DOCK) FROM MECHANICAL ROOM TO PVC JUNCTION BOX AT RETAINING WALL, BY OTHERS. ALL REMAINING WORK INCLUDED IN THIS CONTRACT.

CLASS 1 ZONE 1  
 CLASS 1 ZONE 2



**5 HAZARDOUS AREA - TANK**  
N.T.S.

CLASS 1 ZONE 1  
 CLASS 1 ZONE 2

F1700-130551

**FISHERIES AND OCEANS CANADA**  
REAL PROPERTY AND SAFETY AND SECURITY

**BAMFIELD LIFEBOAT STATION**

**SINGLE LINE DIAGRAMS**

SCALE AS NOTED  
 START DATE 7/31/2013  
 DRAWING NUMBER **E-02**

**GENIVAR**

SUITE 400, 401 GARBALLY ROAD  
 VICTORIA (BRITISH COLUMBIA)  
 CANADA V8T 5M3  
 PHONE: 250-384-5510 FAX: 250-386-2844  
 WWW.GENIVAR.COM

NO.	DATE	REVISIONS
2	2013/10/08	ISSUED FOR CONSTRUCTION
1	2013/09/17	ISSUED FOR CLIENT REVIEW

DESIGNED	JM
DRAWN	SG/PP
CHECKED	
RECOMMENDED	
APPROVED	

DWG. NO.	DRAWING REFERENCES	NOTES