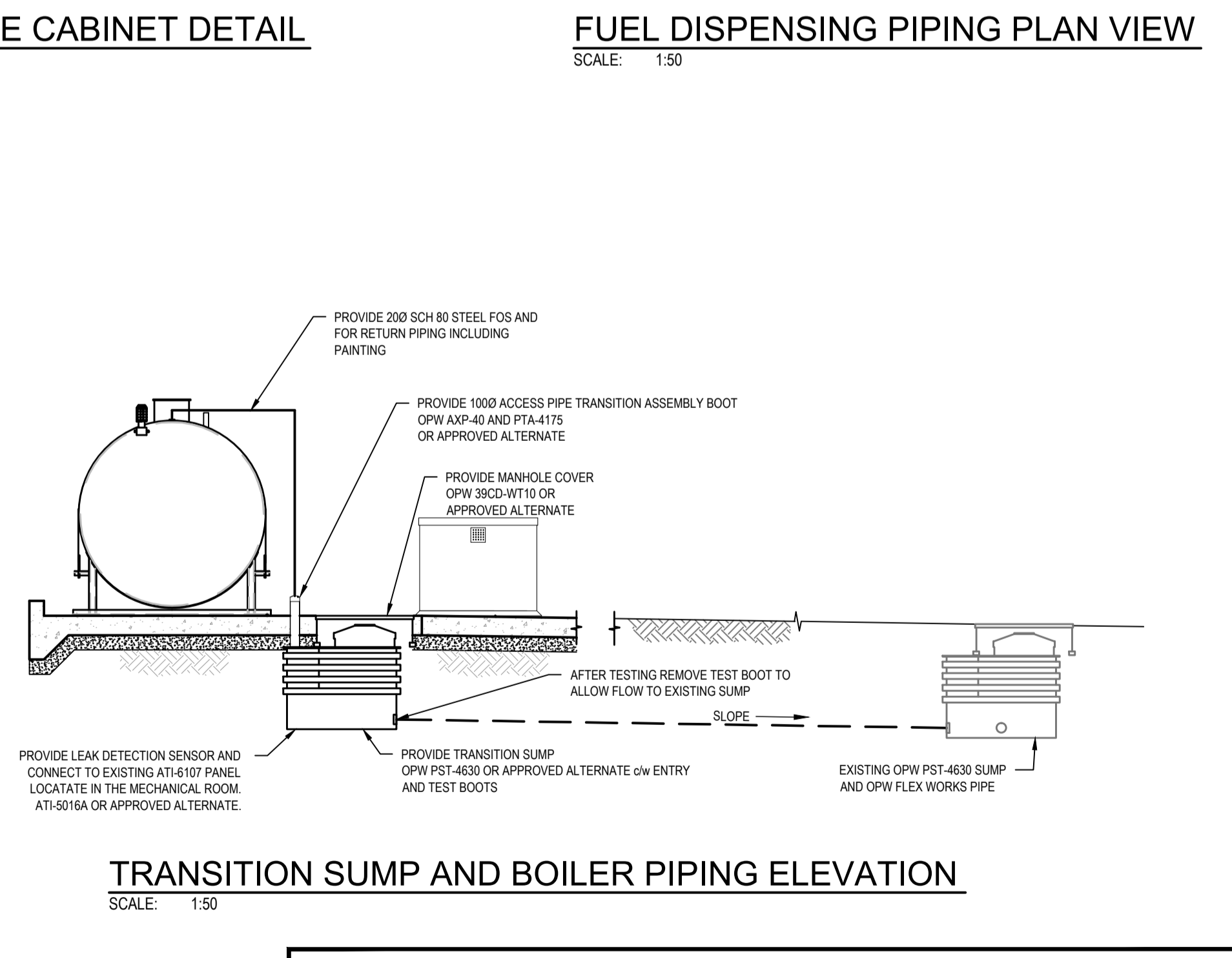
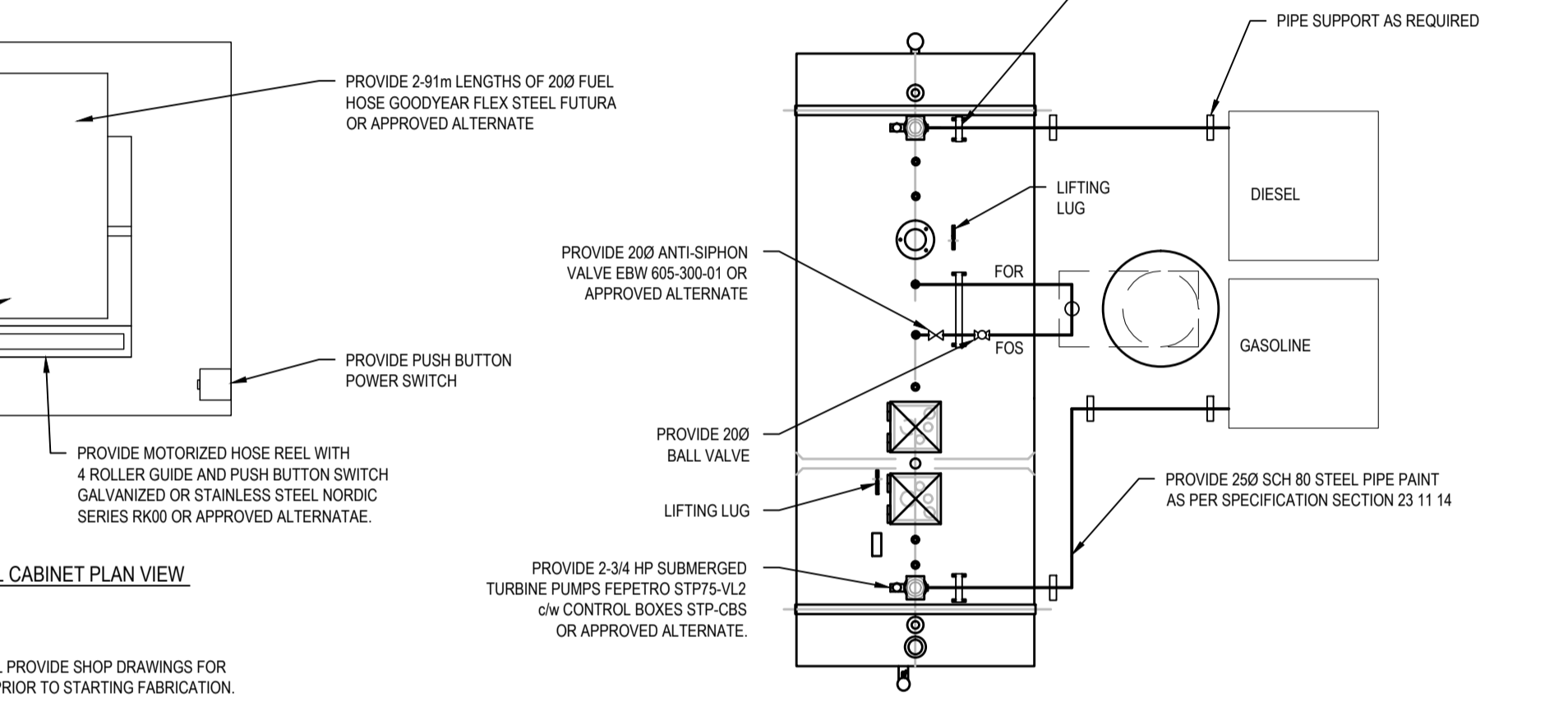
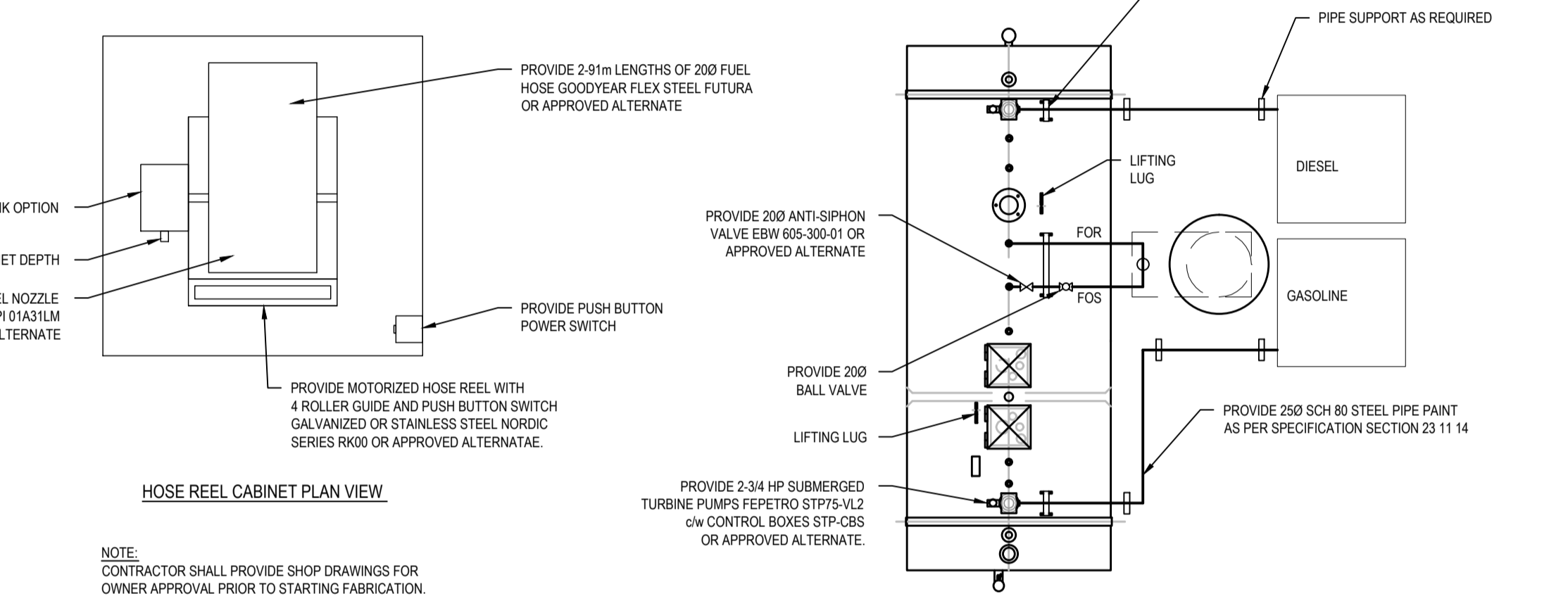
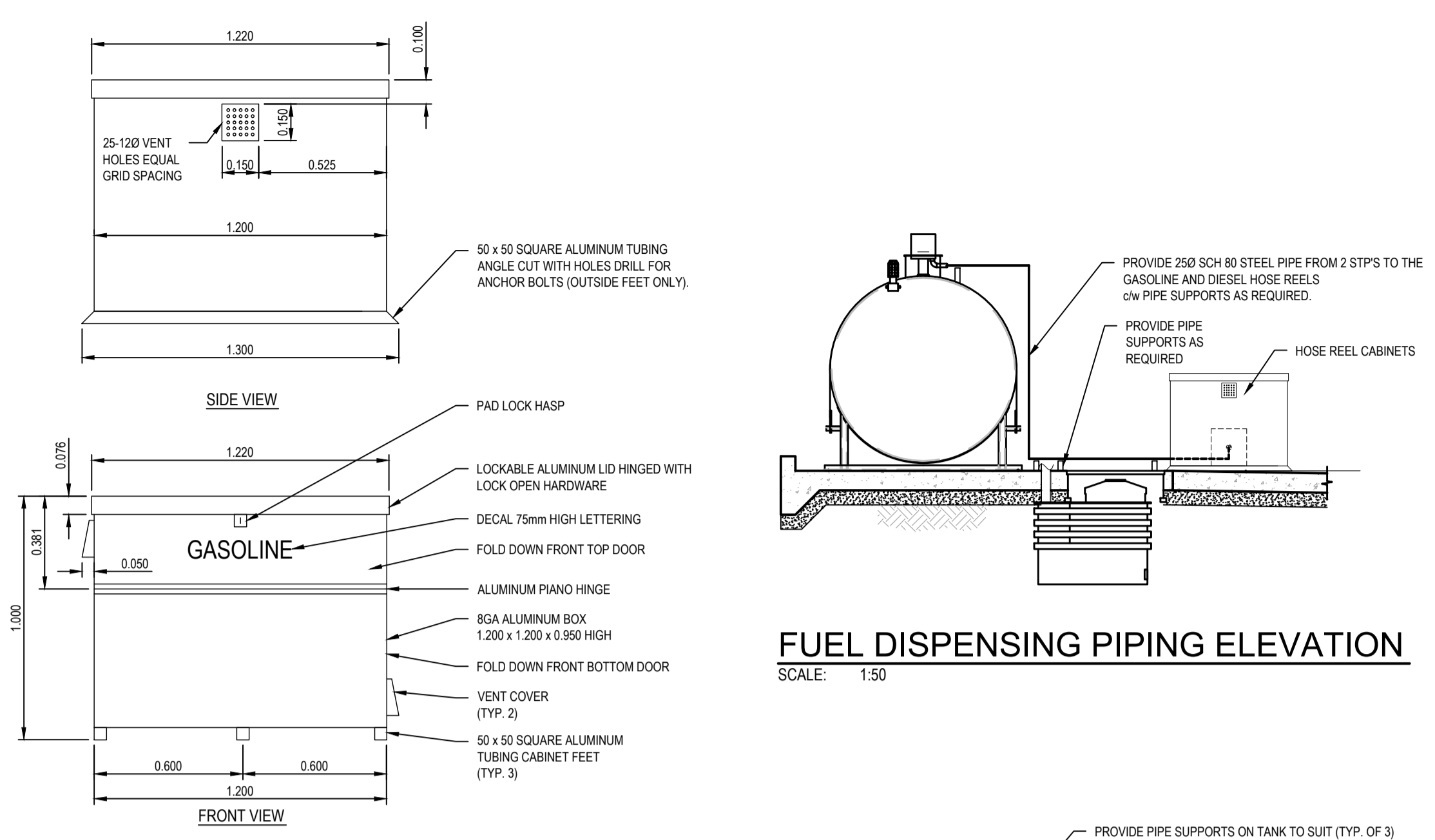
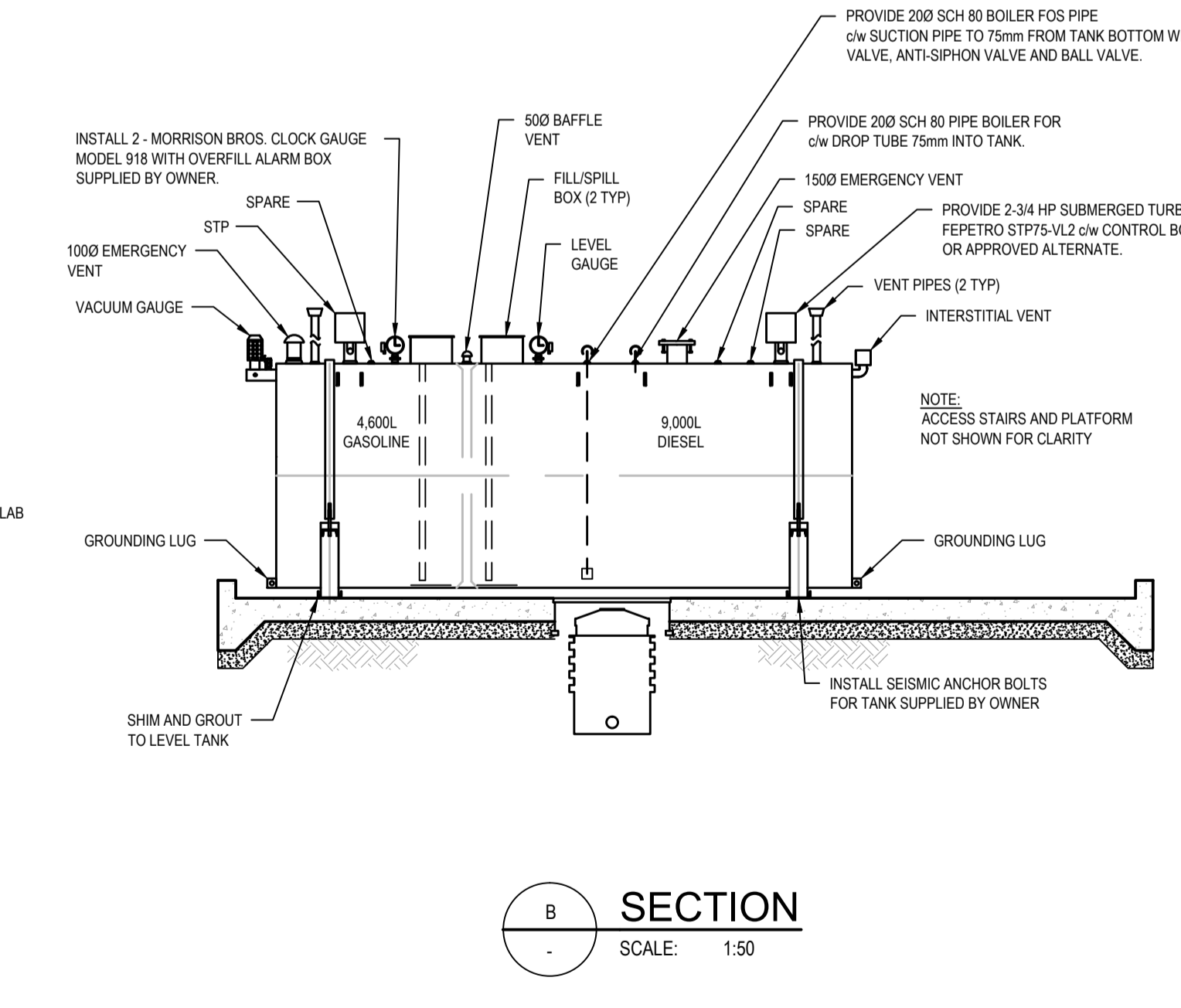
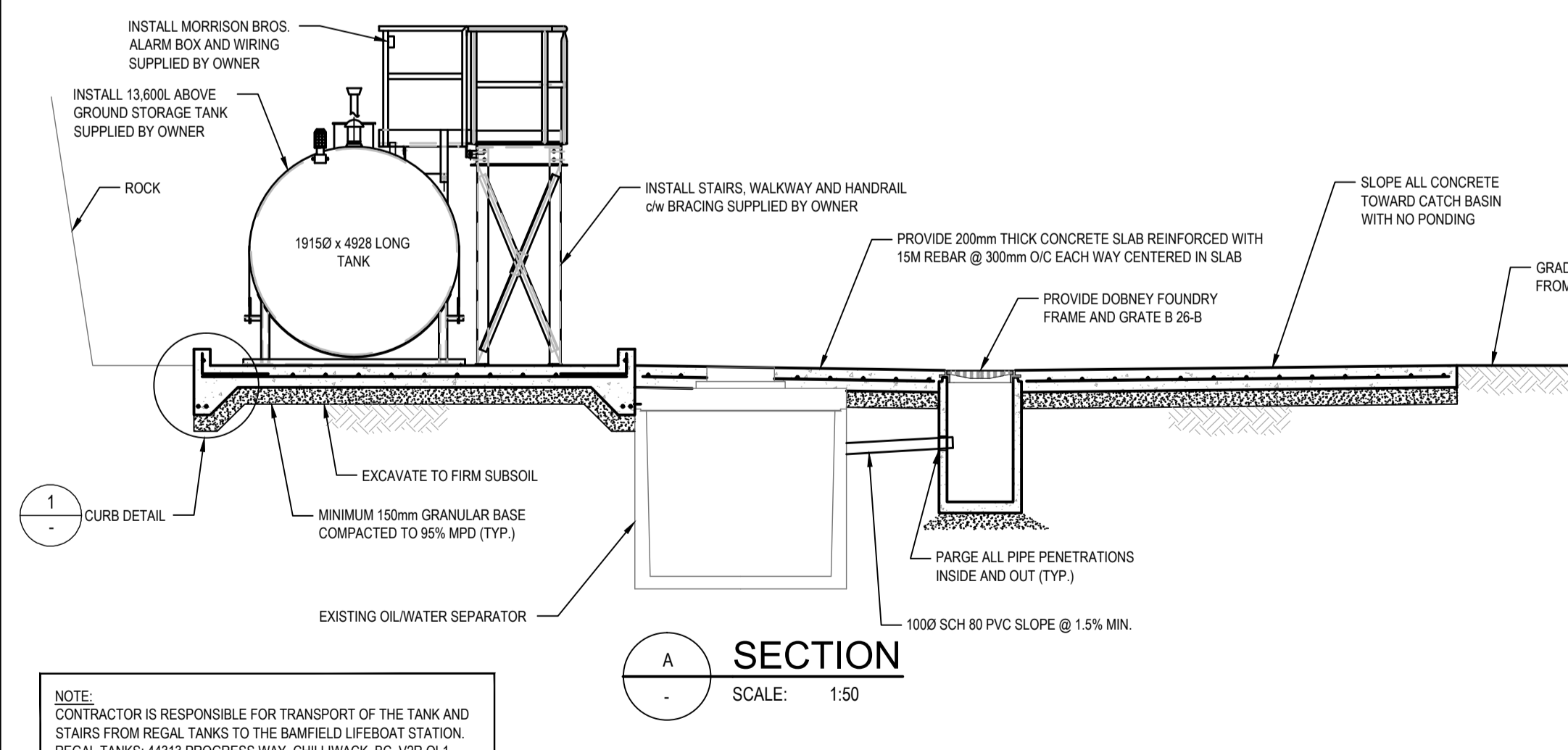
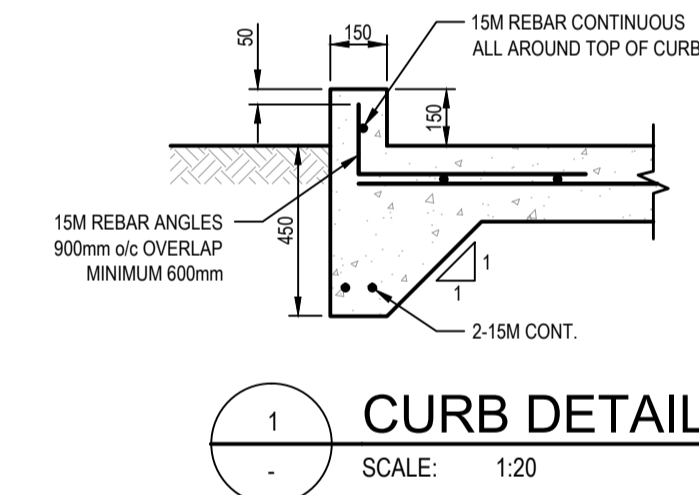
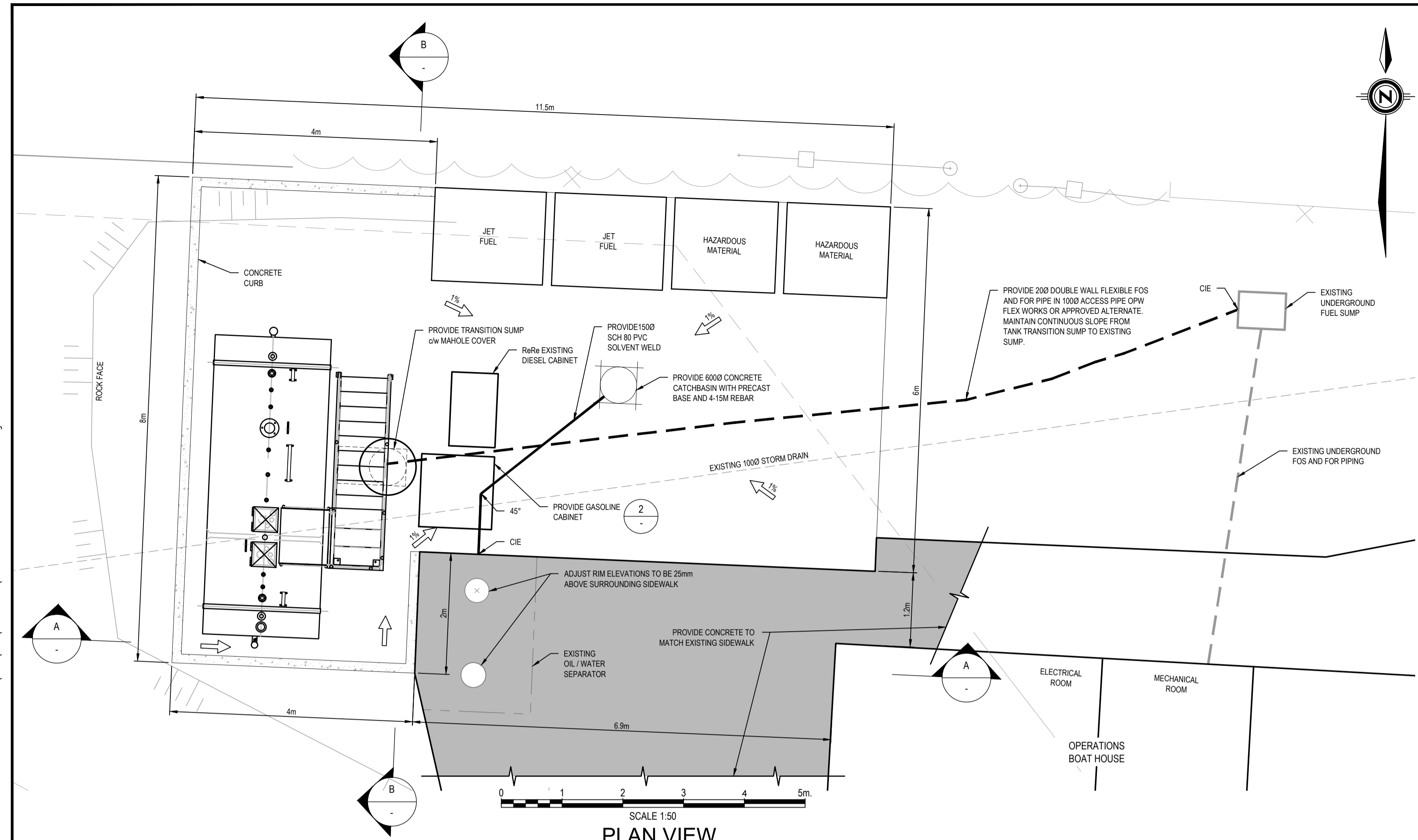


Path/lienname: V:\Projects\2012\121-24918-01 FOC Operations Building Bamfield - Construction Admin Services\DWG\Civil\Production\121-24918-01-Bamfield Base.dwg
 Size: ISO A4 (210.00 X 297.00 MM)
 Plotted: 2/18/2011 6:08 AM Plotted by: Stephane Gagnon



NOTE:
CONTRACTOR IS RESPONSIBLE FOR TRANSPORT OF THE TANK AND STAIRS FROM REGAL TANKS TO THE BAMFIELD LIFEBOAT STATION. REGAL TANKS: 44313 PROGRESS WAY, CHILLIWACK, BC, V2R 0L1

F1700-130551

FISHERIES AND OCEANS CANADA
REAL PROPERTY AND SAFETY AND SECURITY

BAMFIELD LIFEBOAT STATION

SITE LAYOUT AND PIPING DETAILS

SCALE: 1:50
START DATE: 7/31/2013
DRAWING NUMBER: **M-01**

GENIVAR
SUITE 400, 401 GARBALLY ROAD
VICTORIA (BRITISH COLUMBIA)
CANADA V8T 5M3
PHONE: 250-384-5510 FAX: 250-386-2844
WWW.GENIVAR.COM

NO.	DATE	REVISIONS
2	2013/10/08	ISSUED FOR CONSTRUCTION
1	2013/09/17	ISSUED FOR CLIENT REVIEW

DWG. NO.	DRAWING REFERENCES	NOTES