

**RETURN BIDS TO:**  
**RETOURNER LES SOUMISSIONS À:**  
Public Works Government Services Canada- Bid  
Receiving / Réception des soumissions  
189 Prince William Street  
Room 421  
Saint John  
New Brunswick  
E2L 2B9

**SOLICITATION AMENDMENT**  
**MODIFICATION DE L'INVITATION**

The referenced document is hereby revised; unless otherwise indicated, all other terms and conditions of the Solicitation remain the same.

Ce document est par la présente révisé; sauf indication contraire, les modalités de l'invitation demeurent les mêmes.

**Comments - Commentaires**

**Vendor/Firm Name and Address**  
**Raison sociale et adresse du**  
**fournisseur/de l'entrepreneur**

**Issuing Office - Bureau de distribution**  
Public Works Government Services Canada- Bid  
Receiving / Réception des soumissions  
189 Prince William Street  
Room 421  
Saint John  
New Bruns  
E2L 2B9

<b>Title - Sujet</b> Food Service Bldg Westmorland Inst	
<b>Solicitation No. - N° de l'invitation</b> EC016-141832/A	<b>Amendment No. - N° modif.</b> 005
<b>Client Reference No. - N° de référence du client</b> EC016-141832	<b>Date</b> 2014-01-20
<b>GETS Reference No. - N° de référence de SEAG</b> PW-\$PWB-020-3350	
<b>File No. - N° de dossier</b> PWB-3-36100 (020)	<b>CCC No./N° CCC - FMS No./N° VME</b>
<b>Solicitation Closes - L'invitation prend fin</b> <b>at - à 02:00 PM</b> <b>on - le 2014-01-23</b>	
<b>Time Zone</b> Fuseau horaire Atlantic Standard Time AST	
<b>F.O.B. - F.A.B.</b> <b>Plant-Usine:</b> <input type="checkbox"/> <b>Destination:</b> <input type="checkbox"/> <b>Other-Autre:</b> <input type="checkbox"/>	
<b>Address Enquiries to: - Adresser toutes questions à:</b> Donovan, Janine PWB	<b>Buyer Id - Id de l'acheteur</b> pwb020
<b>Telephone No. - N° de téléphone</b> (506) 636-5347 ( )	<b>FAX No. - N° de FAX</b> (506) 636-4376
<b>Destination - of Goods, Services, and Construction:</b> <b>Destination - des biens, services et construction:</b>	

**Instructions: See Herein**

**Instructions: Voir aux présentes**

<b>Delivery Required - Livraison exigée</b>	<b>Delivery Offered - Livraison proposée</b>
<b>Vendor/Firm Name and Address</b> <b>Raison sociale et adresse du fournisseur/de l'entrepreneur</b>	
<b>Telephone No. - N° de téléphone</b> <b>Facsimile No. - N° de télécopieur</b>	
<b>Name and title of person authorized to sign on behalf of Vendor/Firm</b> <b>(type or print)</b> <b>Nom et titre de la personne autorisée à signer au nom du fournisseur/</b> <b>de l'entrepreneur (taper ou écrire en caractères d'imprimerie)</b>	
<b>Signature</b>	<b>Date</b>

---

Cette modification de l'invitation numéro cinq (5) est soumise et comprend la modification numéro cinq (5) suivante.

La modification qui suit apportée aux documents de soumission entre en vigueur dès maintenant. L'addenda fera partie des documents de contrat.

Toutes autres conditions ne changent pas.

Addenda numéro 5

## QUESTIONS AND CLARIFICATIONS

- I'm looking through the drawings and trying to understand the contour lines. The proposed and existing contour lines look the exact same around the building. Is there another drawing that can be referenced?  
**Answer:** *Proposed contour lines are black, existing are grey.*
- In lighting fixture legend on DRWG E2.3 you describe fixture L6. We could not find any on the drawings?  
**Answer:** *This has been addressed in previous addendum. Type L6 is located on the utility pole.*
- In specification section 260534, 2.4.2 says that we are not supposed to use 90 bends. Is this correct?  
**Answer:** *90Deg bends are permitted and necessary. Only the use of pulling elbows is not permitted.*
- In addendum # 1, page 3, 2.1.1.1 mentions item # 87 & also items # 85A & 85B, but DRWG E2.1 does not mention # 85A & 85B?  
**Answer:** *Item #87 is the fire extinguishing system. It is indicated on drawing E2.1. Items #85A and #85B are the exhaust hoods. Refer to the notes on drawing E2.3 for instructions on connecting hood lighting.*
- Drwg E3.3 ERV-1 shows no Combo starter yet Drwg E-3.1 shows a combo starter?  
**Answer:** *Delete requirements of a combination starter. Disconnect switch required only.*
- Drwg E2.2 roof shows roof rec on DP1-22 & 26, these circuits are already used up for Mech Equipment?  
**Answer:** **Receptacles circuits are P1-22 and P1-26. Refer to Panel schedule.**

- 
7. Drwg E2.4 rm 104 shows 2 symbols. What is this for?  
**Answer:** *They are battery units with no integral lights. They are required for the remote heads in cold areas such as the loading dock area, coolers and freezers.*
8. Drwg E2.3 Rm 109 & 115 shows L4 fixtures. Lighting legend says that L4 fixture is for the exterior?  
**Answer:** *Revise this light fixture to type L7. Type L7 to be the following: 100mm diameter recessed, wet location LED, with flat lens. Acceptable material: Kenall MRDL4L 20L40K 120 SCC ALG CSS 8 IP64 or Failsafe or Newstar equivalent.*
9. On Drwg E1.2 detail 3 you show 4- 127mm diam. conduits & 2 - 78mm conduits, but Drwg E3.1 shows only 2 - 4" conduit runs. Which drwg are we suppose to base our price on?  
**Answer:** *Conduits sizes identified on E1.2 are not correct. This detail is to illustrate the utility pole detail and not to size the conduits. Detail A and the single line are both the correct quantities. The spare duct would only be applicable to the primary side of the transformer as both are required for the secondary.*
10. Section 26 82 39 mentions electric heaters, none shown on plans?  
**Answer:** *No electric heaters required.*
11. Can you confirm the model number of the CCTV Camera and weatherproof housing?  
**Answer:** *Standard of Acceptance: Axis P33XX-VE series.*
12. Is it direct steam injection into the Cook / Chill Tanks and Kettles?  
**Answer:** *The system does not inject steam into the food.*
13. Do you require Food Grade Approved HVAC Water Treatment Chemicals for the Steam Boiler?  
**Answer:** *Yes. All steam shall be food grade approved.*
14. What is the temperature range to be used for the pipe insulation thickness for the system? Steam, steam condensate, hot water heating, glycol heating.  
**Answer:**  
Steam: Up to 175°C  
Steam Condensate: Up to 94°C  
Hot Water Heating: Up to 94°C  
Glycol Heating: Up to 94°C  
MTHWS/R: Up to 94°C

15. What finish will be required on the pipe insulation in the tunnel area?

**Answer:** *PVC Jacket.*

16. In Section 08 80 00 - Glazing, 2.2 Material: Sealed Insulating Glass; item 1.6 Insulating glass units - more performance data is listed. Can you tell me what product this performance data refers to? I can't find any product that meets this performance data. Also the shading coefficient number doesn't seem correct. Are you able to verify this for me?

**Answer:** *Sub-Section Sealed Insulating Glass, item 1.6 Insulating Glass Units: Delete the additional performance data: .1 light transmittance, .2 shading co-efficient, U-value.*

17. At what depth is the new watermain? (Domestic and Fire protection) We need to know the depth of bury for the hydrant and the Post indicator.

**Answer:** *A minimum of 2.1m of cover is required over the water mains and a minimum of 1.8m of cover is required over the service lines.*

18. Addendum #2, drawings section 4.7 and 4.8 references DAC-1 & DAC-2, where are these located on drawing E2.1?

**Answer:** *DAC-1 and 2 and indicated on drawing E2.1. One is located at the overhead door from the loading dock to the breakdown area 104 and the other is located at the overhead door from the loading dock to the breakdown area 122.*

19. Addendum #2, drawings section 4.4 and 4.5 references overhead doors 104XB, 122XB, 118A and 122, where are these located on drawing E2.1?

**Answer:** *Door numbers are not indicated on electrical drawings. Refer to architectural drawings. Door operators are indicated on the electrical drawings. The door number correlates to the room number.*

20. Addendum #4, specifications section 1.1.1.5 references wire, conduit and electrical box by the Electrical, what is required for the key switch and mortise cylinder?

**Answer:** *Install a 200mm junction box adjacent to all exterior doors and run 4C-#22AWG in 19mm EMT from door contact and 9C-#18AWG in 19mm EMT from key switch location to junction box. Run 13C-#18AWG from junction box to intrusion alarm access panel (typical for all exterior doors). Junction boxes locations to be at nearest access panel. Access panel locations are located on architectural reflected ceiling drawing.*

## **SPECIFICATIONS:**

.1 Add new specification, Section 07 24 20 - Textured Stucco Finish Assembly, 6 pages issued with this Addendum.

**.2 SECTION 03 30 00 - CAST-IN-PLACE CONCRETE****1. PART 2 - PRODUCTS, Sub-Section 2.1 Materials:**

- .1 Revise 2.1.9: Self-leveling grout at interior freezer and cooler bases: shrinkage compensated, cement based floor underlayment, having minimum 28 day compressive strength of 31 MPa. Standard of quality: Gemite Products Inc Sure-Flo Plus High Strength Self-Levelling Underlayment.
- .2 Revise 2.1.10 Flowable mortar at exterior freezer and cooler bases: shrinkage compensated, rheoplastic, flowable, structural repair mortar with integral corrosion inhibitor, having minimum 28 day compressive strength of 50 MPa. Standard of quality: BASF EMACO S77 CI.
- .3 add Item 2.1.18 - Integral concrete floor hardener:
  - .1 Abrasion resistant integral hardener
  - .2 Dry powdered material capable of being added integrally into the concrete mix during the batching process
  - .3 Standard of Quality: Hardcem by Cementec Industries Inc.

**2. PART 2 - PRODUCTS: Add new Sub-Section 2.4 - Integral Hardener as follows:**

- .1 Concrete mixture for slab on grade where indicated shall include an Integral Concrete Hardener at standard dosage rate of 40 kg/m<sup>3</sup>, replacing an equal volume of fine concrete sand. Confirm dosage rate with hardener manufacturer. Mix, deliver, place, finish and cure the concrete in accordance with the hardener manufacturer's written instructions. Refer to Architectural 'Room Finish Schedule' for locations to receive hardener.

**.3 SECTION 03 35 00 - CONCRETE FINISHING****1. PART 2 - PRODUCTS:**

- .1 Revise sentence 2.1.2 To read "Concrete curing compound for general use to be...".
- 2. Delete sentence 2.1.3.
- 3. Add paragraph 2.1.5: Concrete Sealing and Dustproofing Compound for use on concrete surfaces that contains the Integral Hardener shall be:
  - .1 CS-309 by W.R. Meadows,
  - .2 Kure-N-Seal by BASF,
  - .3 Gem-Seal WUA ST by Gemite.

**.2 PART 3 - EXECUTION**

- .1 Delete Sub-Section 3.3 Hardened Floor Finish.
- .2 Sub-Section 3.4., add new sentence .6:

- .6 Apply Concrete Sealing and Dustproofing Compound specified, in accordance with the manufacturer's instructions at a rate not exceeding 5m<sup>2</sup>/L.

#### .4 **SECTION 05 12 23 - STRUCTURAL STEEL FOR BUILDINGS**

- 1. Add 1.2.2.11 ASTM F884-07a, Standard Specification for Washers, Steel, Plain (Flat), Unhardened for General Use.
- 2. Revise 2.1.11 To read "Anchor rods: CSA G40.21, 300W. Supply anchor rods to size shown on drawings complete with ASTM A563 nuts and ASTM F844 circular washers or plate washers as noted on drawings. Provide galvanized anchor rods."

#### .5 **SECTION 07 21 00 - BUILDING INSULATION**

- 1. PART 2 - MATERIALS:
  - .1 Sub-Section 2.1 Insulation: add item .5 as follows:
    - .5 Exterior wall insulation (textured stucco finish assembly): mineral wool board, type 1, to CAN/ULC-S701, density of 5.6 kg/m<sup>3</sup> (3.5 lb/cu.ft), minimum R - 4.2 per 25 mm thickness.
      - .1 Acceptable material:
        - .1 CurtainRock by Roxul Inc.
        - .2 Rainbarrier 45 by Thermafibre.
        - .3 MinWool 1200 by IIG Safety.
- 2. PART 3 - EXECUTION:
  - .1 add Sub-Section 3.8 as follows:
    - 3.8 Exterior Wall Insulation (Textured Stucco Finish Assembly)
      - .1 Fill spaces between subgirts with insulation. Install rigid insulation boards over impaling clips. Install rigid insulation against substrate, tightly fitted at joints, at perimeter of insulated areas and at other penetrations. Leave no gaps or voids.
      - .2 Install insulation with impaling clip method. Provide minimum six (6) impale clips, one in each corner and two near center of each insulation board, cut off fastener spindle 3 mm beyond disk.
      - .3 All butt joints shall be brought into tight contact to ensure a monolithic thermal barrier. Any cutting or fabricating shall be made of the largest module possible of insulation to reduce the number of joints.

**.6 SECTION 07 24 20 - TEXTURED STUCCO FINISH SYSTEM**

1. Add new specification section (6 pages) as issued by Addendum.

**.7 SECTION 07 62 00 - SHEET METAL FLASHING AND TRIM****.1 Add: 2.5 - EAVES TROUGHS AND DOWNPIPES**

- .1 Form eaves troughs, outlet tubes and downpipes from 0.76 mm (22 Ga.) prefinished galvanized, sheet steel. Colour to match Wall Cladding - colour "A".
- .2 Sizes and profiles as shown on detail ASK 809.
- .3 Provide galvanized steel gutter brackets, gutter spacers, downspout hangers, strainer baskets and all necessary fasteners. Brackets, spacers and hangers to be of same base metal as gutters. Provide slotted holes in gutter brackets, gutter spacers, downspout hangers to permit movement from expansion. Shop paint all components to match gutter (colour "A").
- .4 Provide 600 x 600 precast concrete splash pads at downpipes.

**.2 Add: 3.3 - EAVES TROUGHS AND DOWNPIPES**

- .1 Install eaves troughs and downpipes in accordance with Architectural Sheet Metal Manual - Sheet Metal and Air Conditioning Contractors' National Association, Inc. (SMACNA), as specified and as shown on Details.
- .2 Install galvanized steel gutter brackets level with roof edge / fascia and secure to fascia wood blocking at 900 on centre.
- .3 Install eaves troughs and gutter spacers. Secure gutter spacers to top of eaves trough head and to fascia wood blocking through slotted holes in gutter spacers.
- .4 Install outlet tubes in eaves trough and seal flange of outlet to bottom of gutter. Insert downspout strainers into outlet tubes, held in place by friction. Strainers to be of same base metal as gutters.
- .5 Install downpipes and secure to face of building with downspout hangers at 2500 mm maximum o.c. vertically. Install 3 mm compressible foam isolation between downpipes and downspout hangers.
- .6 Install precast concrete splash pads at downpipes along grid "5".

**.8 SECTION 08 80 00 - GLAZING****1. PART 2 - PRODUCTS:****.1 Sub-Section 2.1 Materials - Flat Glass:**

**.1 Section .4 Low Emissivity (Low E) Glass, item .4 Acceptable Products, add .3 as follows:**

**.3 Solarban 60 solar control low-e, by PPG Industries.**

**2. PART 2 - PRODUCTS:**

**.1 Sub-Section 2.2 Materials - Sealed Insulating Glass, Section 1.6 Insulating Glass units: Delete the additional performance data: .1 light transmittance, .2 shading co-efficient, U-value.**

**.9 SECTION 08 91 00 - LOUVRES****.1 PART 2 - PRODUCTS****.1 Sub-Section 2.1.4 Extruded aluminum louvre (Type 1):**

**.1 Sentence .1 Acceptable Products: add the following acceptable product:**

**.5 Airline Louvres Model # LSA7CDD - Wind drive rain resistant stationary louvre series, by Nystrom Inc.**

**.2 Sub-Section 2.1.5 Extruded aluminum louvre (Type 2):**

**.1 Sentence .1 add the following acceptable product:**

**.5 Airline Louvres Model # LSA6W38 - Weather resistant stationary louvre series, by Nystrom Inc.**

**.3 Sub-Section 2.1.6 Extruded aluminum louvre (Type 3):**

**.1 Sentence .1 Acceptable Products: add the following acceptable product:**

**.5 Airline Louvres Model # LSA4D45 - Drainable stationary louvre series, by Nystrom Inc.**

**.4 Sub-Section 2.1.7 Formed steel louvre (Type 4):**

**.1 Sentence .1 Acceptable Products: add the following acceptable product:**

**.4 Airline Louvres Model # LSG4D38 - Drainable stationary louvre series, by Nystrom Inc.**

**.2 PART 3 - EXECUTION**

**.1 Sub-Section 3.4 Schedule: revise louvre number of last item in Schedule ( Room 124 - Ware Wash) from "LV-3" to "LV-4".**



**.10 SECTION 10 90 00 - SPECIALTIES****.1 PART 2 - PRODUCTS**

.1 Add new Sub-Section 2.4 Stainless Steel Wall Protection Panels as follows:

**2.4 Stainless Steel Wall Protection Panels**

- .1 Stainless Steel Wall Protection Panels: to ASTM A480/M480-10; 1220 mm x 2440 mm, 1.52 mm (16 Ga.) thickness, type 304 stainless steel sheet with # 4 satin finish.
- .2 Accessories: to ASTM A480/M480-10; special, purpose made finishing pieces and trim; 1.52 mm (16 Ga.) thickness, type 304 stainless steel sheet with # 4 satin finish:
  - .1 Inside corner trim.
  - .2 Outside corner trim.
- .3 Mounting Method: construction adhesive as recommended by manufacturer's written installation specifications.
- .4 Sealants: at seams and junction with other building materials/elements; as recommended by manufacturer's written installation specifications.
- .5 Acceptable products:
  - .1 ProTek Stainless Steel Wall System, by ProTek Systems Inc.
  - .2 Stainless Steel Wall Coverings, by Nystrom Inc.
  - .3 or equal products by other manufacturers.

**2 PART 3 - EXECUTION**

.1 Add new Sub-Section 3.8 Stainless Steel Wall Protection Panels as follows:

**3.8 Stainless Steel Wall Protection Panels**

- .1 Install stainless steel wall protection panels at all locations indicated on drawings. Panels extend from top of 100 mm high floor base.
- .2 Prior to installation of wall protection panels, ensure substrate surfaces have been painted, are dry, and are free from dust and other deleterious substances which could adversely affect a good bond between the panels and wall substrate.
- .3 Conduct an adhesive bond test with paint, if deemed required by Departmental Representative.

- 
- .4 Refer to manufacturer's written installation instructions for directions on install around wall-mounted mechanical and electrical devices.
  - .5 Where installing panels around hot pipes or steam pipes, provide expansion gap around such pipes and penetrations in accordance with manufacturer's written instructions. Seal around gap with sealant.
  - .6 After installation clean panels in accordance with manufacturer's requirements.

## **DRAWINGS:**

### **1.1 DRAWING A 1.0 - SITE PLAN**

- .1 Reference detail ASK 701 for details on steel handrails and guards at exterior stairs and ramp at building main entrance.

### **1.2 DRAWING A 2.2 - GROUND FLOOR PLAN**

- .1 Owner will construct three (3) stainless steel Knife Shadow Boards and hand them over to the Contractor for installation in the following locations - refer to ASK 201 (enclosed with this Addendum). Contractor to include appropriate blocking and backing in partitions where knife boards are indicated.
- .2 Refer to sketch ASK 201 for general locations of stainless steel Knife Shadow Boards and general sizes as noted below. (Note: final locations to be confirmed with Departmental Representative during construction).
  - .1 Breakdown Area (104) - small shadow board; 610 mm x 915 mm.
  - .2 Ingredient Room (119) - small shadow board; 610 mm x 915 mm.
  - .3 Food Prep Area (125) - medium shadow board; 915 mm x 1525 mm.

### **1.3 DRAWING A 2.3 - ROOF PLAN**

- .1 Change Roof Plan at entrance canopy as shown on ASK 402 (issued by Addendum).

### **1.4 DRAWING A 2.4 - DOOR SCHEDULE, INTERIOR SCREEN AND EXTERIOR WINDOW ELEVATIONS**

- .1 Door Schedule: Door X100 - Change Screen Type S8 to read: S9.

- 
- .2 Detail 2/A 2.4 - Door and Interior Screen Types:
    - .1 Delete screen type S8 at exterior door # X100.
    - .2 Add screen type S9 at exterior door # X100 as shown on detail ASK 301 (issued by Addendum).

## 1.5 DRAWING A 3.1 - ELEVATIONS

- .1 Detail 1 /A 3.1 - East Elevation: change elevation at entrance canopy as shown on detail ASK 301 (issued by Addendum).
- .2 Detail 4 /A 3.1 - North Elevation: change elevation at entrance canopy as shown on detail ASK 302 (issued by Addendum).

## 1.6 DRAWING A 4.1 - ROOM LAYOUTS, INTERIOR ELEVATIONS AND SECTIONS

- .1 Detail 5 /A 4.1 - Vestibule (100): change layout at entrance canopy as shown on detail ASK 401 (issued by Addendum).

## 1.7 DRAWING A 8.2 - WALL SECTIONS

- .1 Detail 1 /A 8.2 - Wall Section - Corridor (123): add prefinished metal gutter / eavestrough as shown on detail ASK 808 and 809 (issued by Addendum).

## 1.8 DRAWING A 8.3 - WALL SECTIONS

- .1 Detail 1 /A 8.3 - Wall Section - Entrance Vestibule (101): change details at entrance canopy as shown on detail ASK 801 to ASK 807 inclusive (issued by Addendum).

## 1.9 DRAWING A 8.4 - SECTION DETAILS

- .1 Detail 1 /A 8.4 - Roof Edge Along Grid '1',  
Detail 3 /A 8.4 - Roof Edge Along Grid 'A' & 'G' (Typical): change wood blocking at fascia from 38 x 140 to read 38 x 190 (typical).

## 1.10 DRAWING A 8.5 - SECTION DETAILS

- .1 Detail 5 /A 8.5 - Wall at Corridor (123): change prefinished metal gutter / eavestrough as shown on detail ASK 808 and 809 (issued by Addendum).  
Provide downspout hangers at 2500 mm. o.c. max.

### 1.11 **DRAWING A 8.8 - MISCELLANEOUS DETAILS**

- .1 Detail 4 /A 8.8 - Bumper rail: change bumper rail and add prefinished metal down spouts as shown on detail ASK 810 (issued by Addendum).

### 1.12 **DRAWING S1.1 - FOUNDATION PLAN & PLAN OVER BASEMENT**

- .1 Foundation Plan: Near Lines F & 1, revise Foundation Plan per Sketches SKS1.1-1.

### 1.13 **DRAWING S3.1 - TYPICAL DETAILS - 1**

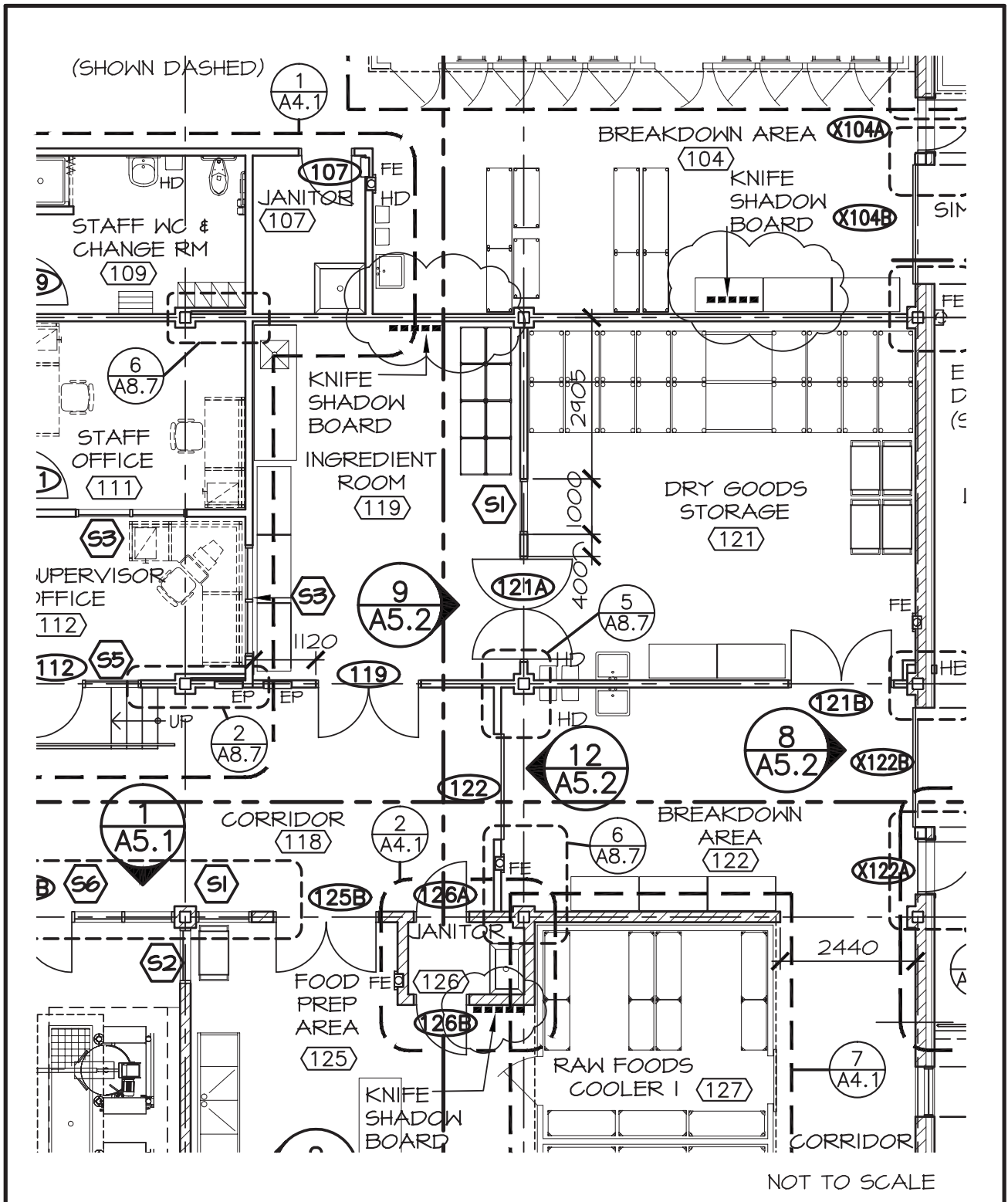
1. Add "Typical Slab Isolation Joint Detail" per Sketch SKS3.1-1.

### 1.14 **DRAWING M5.1 - Mechanical HVAC Schedules:**

- .1 Fan Schedule:
  1. Add Loren Cook as an approved equal.
- .2 ERV Schedule:
  2. Add Venmar CES as an approved equal.
- .3 Supply Diffuser & Grille Schedule:
  3. Add Nailor as an approved equal.
- .4 VAV Terminal Unit Schedule:
  4. Add Nailor as an approved equal.

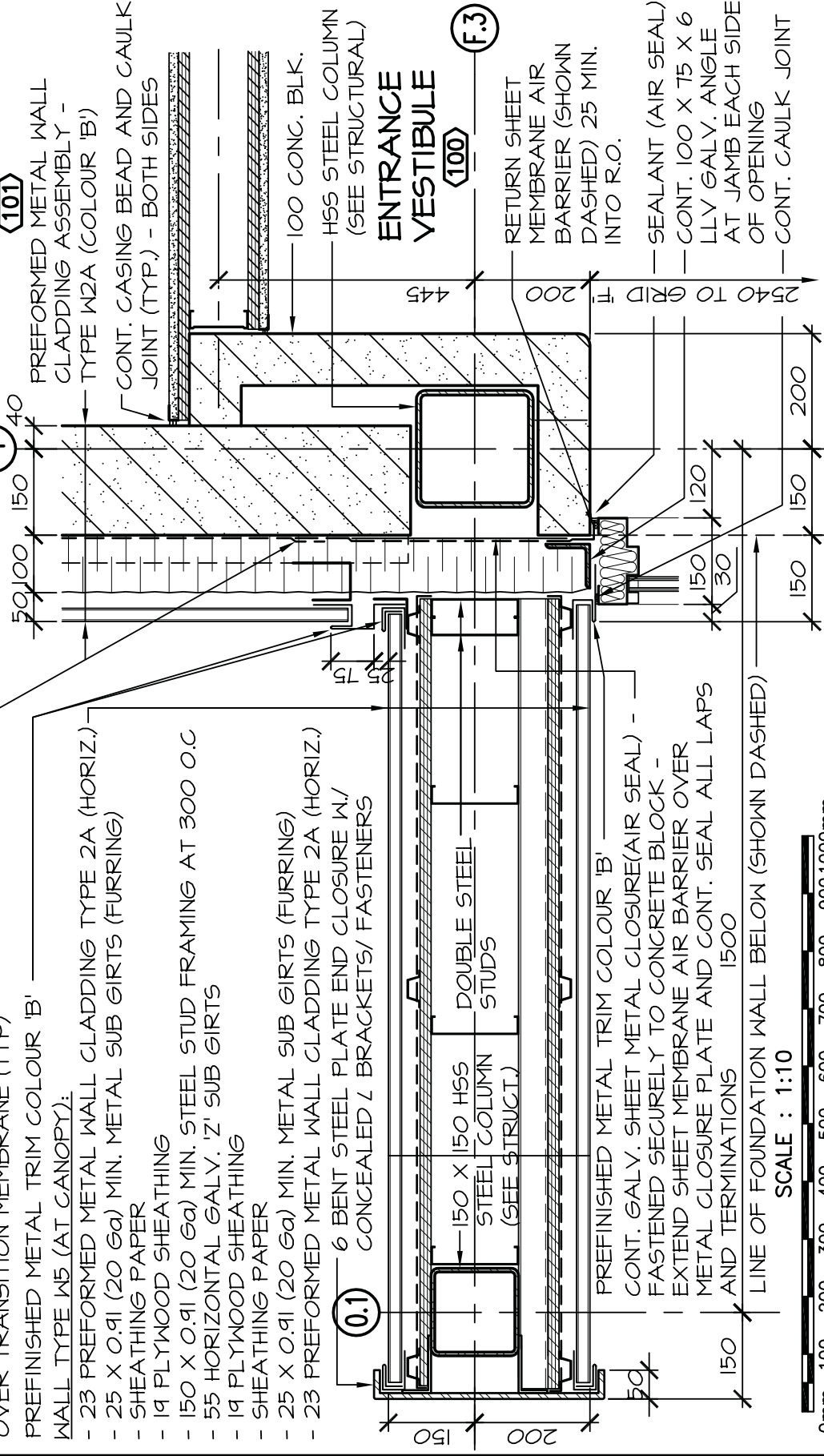
### 1.15 **DRAWING E2.1 - Electrical Power & Communications Plans:**

- .1 All exterior doors to contain key switches on the interior side of the doors. Provide the outlet box and associated conduit and wire. Devices are specified under Division 08. Key switches to be configured to deactivate the associated door contact.



	Public Works and Government Services Canada	Travaux publics et Services gouvernementaux Canada	Drawing title Titre du dessin <b>LOCATIONS OF KNIFE SHADOW BOARDS</b>	designed conçu date
	project <b>NEW FOOD SERVICES BUILDING WESTMORLAND INSTITUTION DORCHESTER, NB</b> project	drawn dessiné T.H.	date 01/20/14	approved approuvé R.G.
Tender PWGSC Project Manager project number <b>R.061828.001</b>			Submission Administrateur de projets TPSGC no. du projet drawing no. <b>ASK 201</b>	

# SGMP PICK-UP



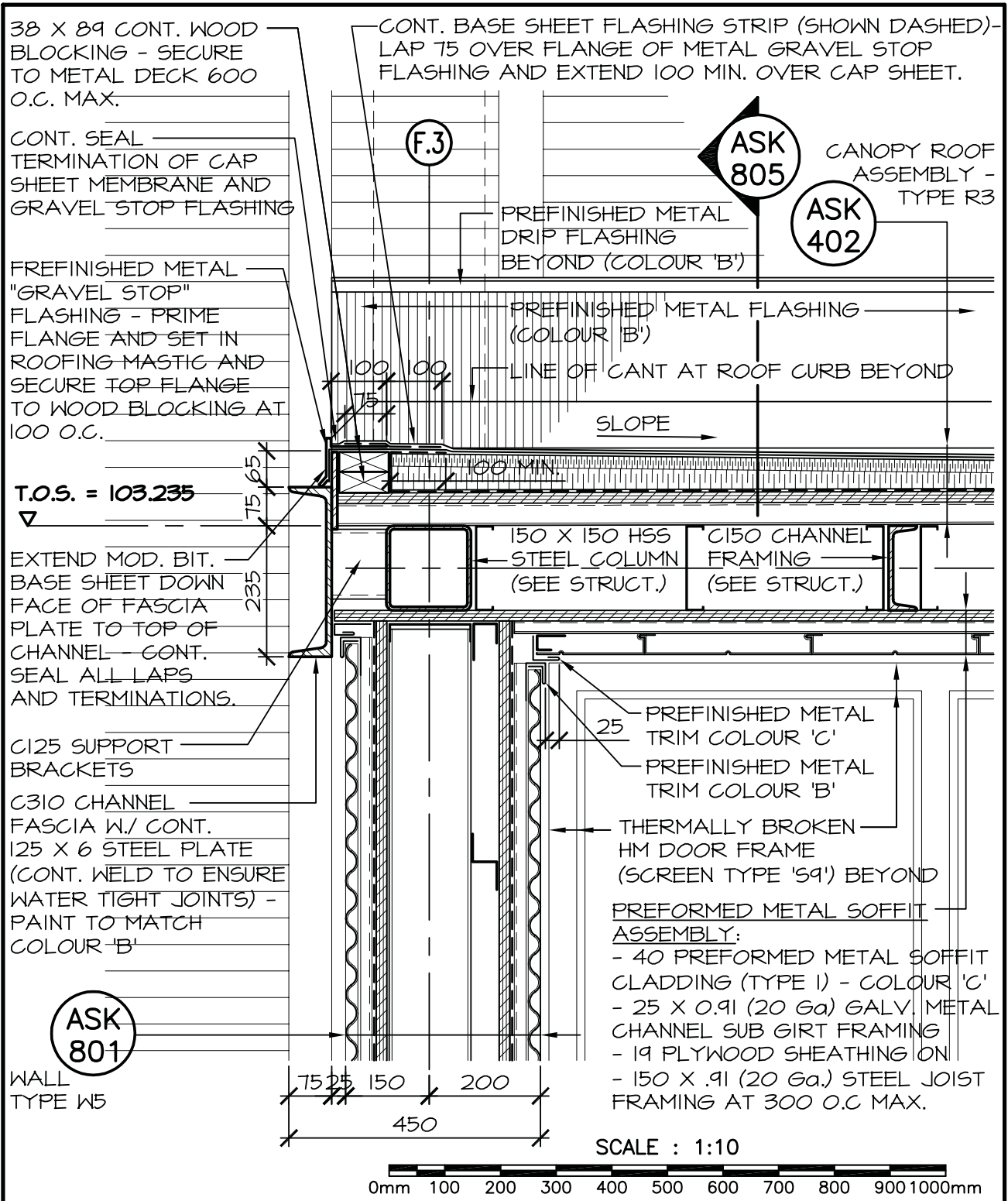
- LAP FLUID APPLIED MEMBRANE AIR BARRIER 50 MIN. OVER TRANSITION MEMBRANE (TYP)
- PREFINISHED METAL TRIM COLOUR 'B'
- WALL TYPE W5 (AT CANOPY):
- 23 PREFORMED METAL WALL CLADDING TYPE 2A (HORIZ.)
- 25 X 0.91 (20 Ga) MIN. METAL SUB GIRTS (FURRING)
- SHEATHING PAPER
- 19 PLYWOOD SHEATHING
- 150 X 0.91 (20 Ga) MIN. STEEL STUD FRAMING AT 300 O.C
- 55 HORIZONTAL GALV. 'Z' SUB GIRTS
- 19 PLYWOOD SHEATHING
- SHEATHING PAPER
- 25 X 0.91 (20 Ga) MIN. METAL SUB GIRTS (FURRING)
- 23 PREFORMED METAL WALL CLADDING TYPE 2A (HORIZ.)
- 6 BENT STEEL PLATE END CLOSURE W/ CONCEALED L BRACKETS/ FASTENERS

- 150 X 150 HSS STEEL COLUMN STUDS (SEE STRUCT.)
- PREFINISHED METAL TRIM COLOUR 'B'
- CONT. GALV. SHEET METAL CLOSURE (AIR SEAL) - FASTENED SECURELY TO CONCRETE BLOCK - EXTEND SHEET MEMBRANE AIR BARRIER OVER METAL CLOSURE PLATE AND CONT. SEAL ALL LAPS AND TERMINATIONS 1500
- LINE OF FOUNDATION WALL BELOW (SHOWN DASHED)

SCALE : 1:10



Public Works and Government Services Canada Travaux publics et Services gouvernementaux Canada	project <b>NEW FOOD SERVICES BUILDING</b> <b>WESTMORLAND INSTITUTION</b> <b>DORCHESTER, NB</b>	Titre du dessin <b>WALL AT ENTRANCE CANOPY</b>	designed T.H	conçu T.H	date 01/20/14
	Tender PWGSC Project Manager E-DRM/L1 (2004)	project number <b>R.061828.001</b>	drawing no. <b>ASK 801</b>	approved R.G.	approve R.G.



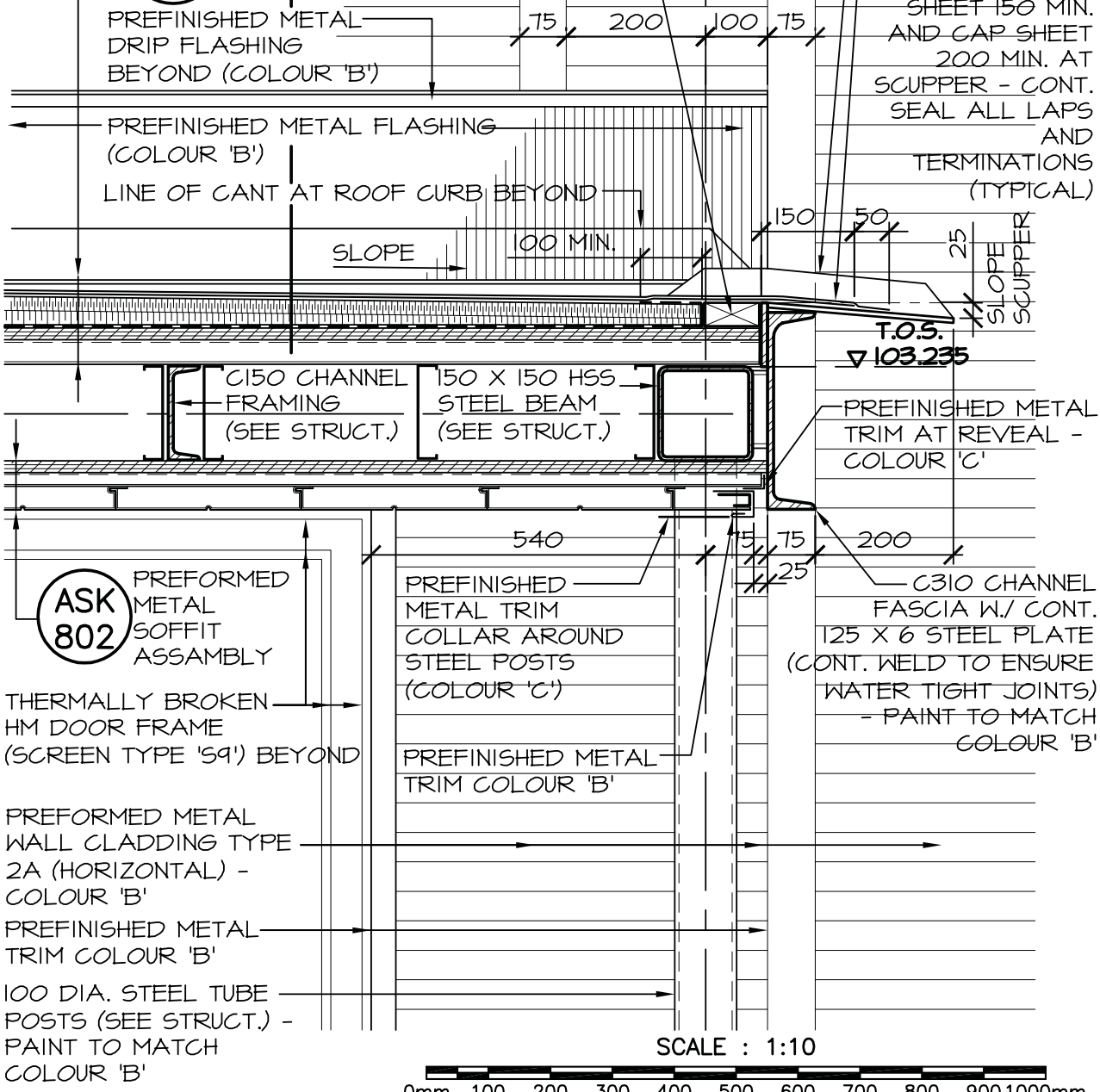
Public Works and Government Services Canada Travaux publics et Services gouvernementaux Canada	Drawing title <b>CANOPY ROOF EDGE AT WALL</b>		designed conçu	date
	project <b>NEW FOOD SERVICES BUILDING WESTMORLAND INSTITUTION DORCHESTER, NB</b>		drawn T.H.	date 01/20/14
project number <b>R.061828.001</b>		no. du projet	approved R.G.	date 01/20/14
Tender PWGSC Project Manager		Soumission Administrateur de projets TPSGC		
drawing no. <b>ASK 802</b>		no. du dessin		

C310 CHANNEL (HORIZONTAL) SCUPPER - CONT. WELD ALL JOINTS TO ENSURE WATERTIGHT JOINTS - PAINT TO MATCH COLOUR 'B'

CANOPY ROOF ASSEMBLY -TYPE R3

ASK 402  
ASK 805

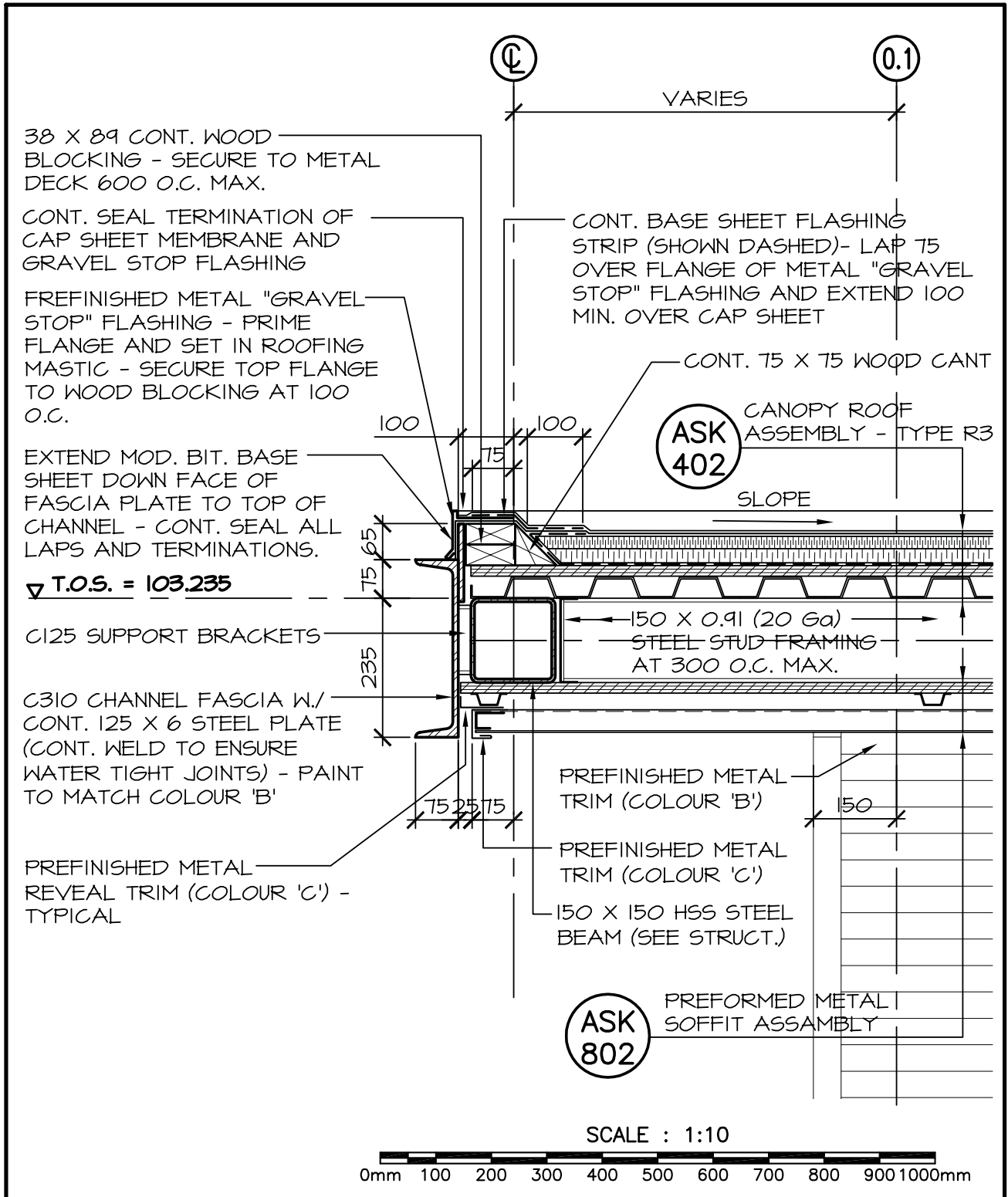
38 X 89 CONT. WOOD BLOCKING - SECURE TO METAL DECK 600 O.C. MAX.



Public Works and Government Services Canada Travaux publics et Services gouvernementaux Canada		
project	<b>NEW FOOD SERVICES BUILDING</b> <b>WESTMORLAND INSTITUTION</b> <b>DORCHESTER, NB</b>	project

Drawing title <b>SCUPPER AT CANOPY ROOF EDGE</b>		Titre du dessin		designed conçu	date
Tender PWGSC Project Manager		Administrateur de projets TPSGC		drawn dessiné	date
project number <b>R.061828.001</b>		no. du projet		approved approuvé	date
		drawing no. <b>ASK 803</b>		no. du dessin	





38 X 89 CONT. WOOD  
BLOCKING - SECURE TO METAL  
DECK 600 O.C. MAX.

CONT. SEAL TERMINATION OF  
CAP SHEET MEMBRANE AND  
GRAVEL STOP FLASHING

PREFINISHED METAL "GRAVEL  
STOP" FLASHING - PRIME  
FLANGE AND SET IN ROOFING  
MASTIC - SECURE TOP FLANGE  
TO WOOD BLOCKING AT 100  
O.C.

EXTEND MOD. BIT. BASE  
SHEET DOWN FACE OF  
FASCIA PLATE TO TOP OF  
CHANNEL - CONT. SEAL ALL  
LAPS AND TERMINATIONS.

▽ T.O.S. = 103.235

C125 SUPPORT BRACKETS

C310 CHANNEL FASCIA W./  
CONT. 125 X 6 STEEL PLATE  
(CONT. WELD TO ENSURE  
WATER TIGHT JOINTS) - PAINT  
TO MATCH COLOUR 'B'

PREFINISHED METAL  
REVEAL TRIM (COLOUR 'C') -  
TYPICAL

CONT. BASE SHEET FLASHING  
STRIP (SHOWN DASHED)- LAP 75  
OVER FLANGE OF METAL "GRAVEL  
STOP" FLASHING AND EXTEND 100  
MIN. OVER CAP SHEET

CONT. 75 X 75 WOOD CANT  
CANOPY ROOF  
ASSEMBLY - TYPE R3

150 X 0.91 (20 Ga)  
STEEL STUD FRAMING  
AT 300 O.C. MAX.

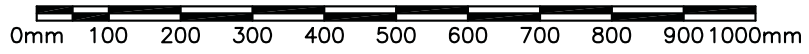
PREFINISHED METAL  
TRIM (COLOUR 'B')

PREFINISHED METAL  
TRIM (COLOUR 'C')

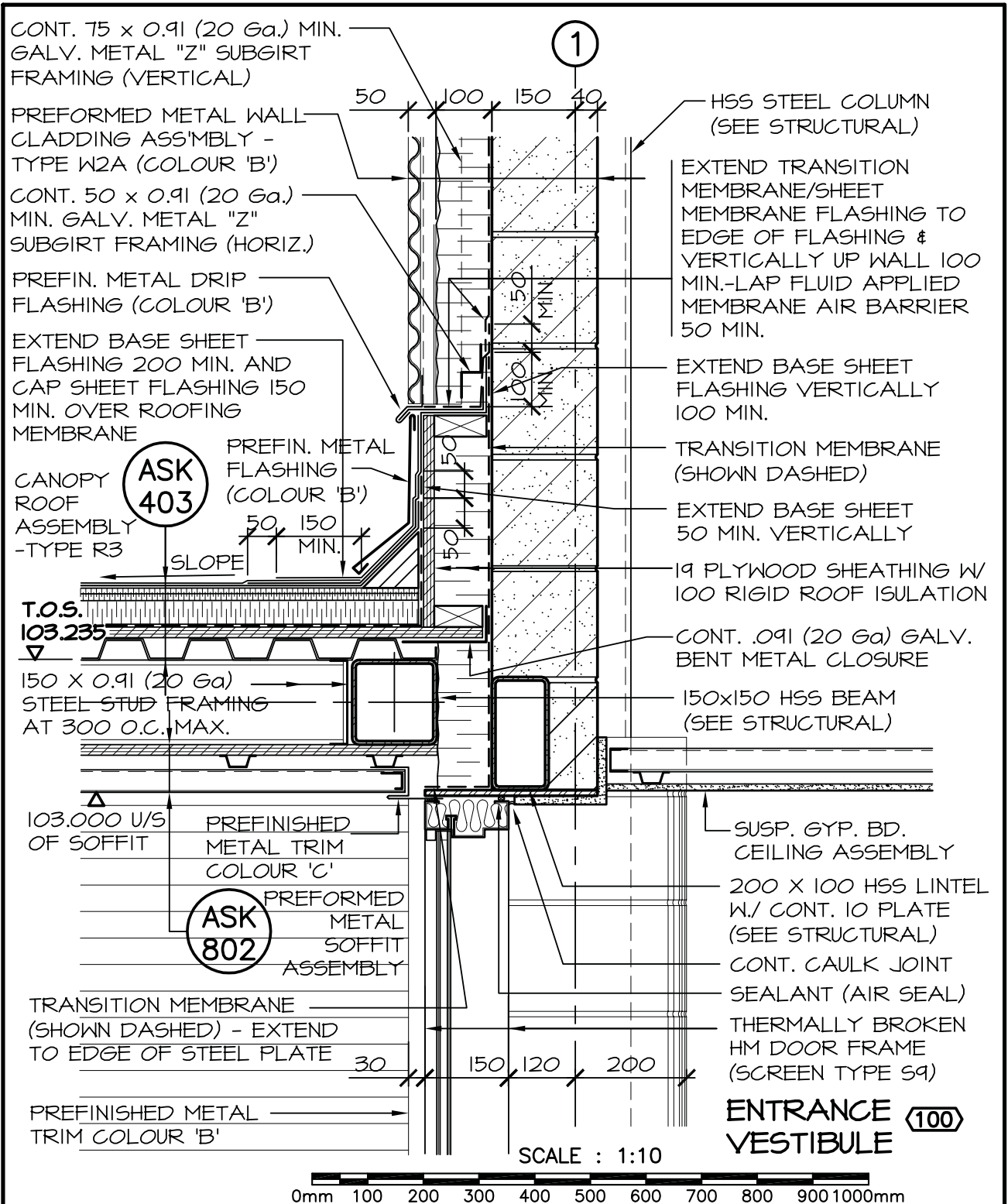
150 X 150 HSS STEEL  
BEAM (SEE STRUCT.)

ASK 802  
PREFORMED METAL  
SOFFIT ASSAMBLY

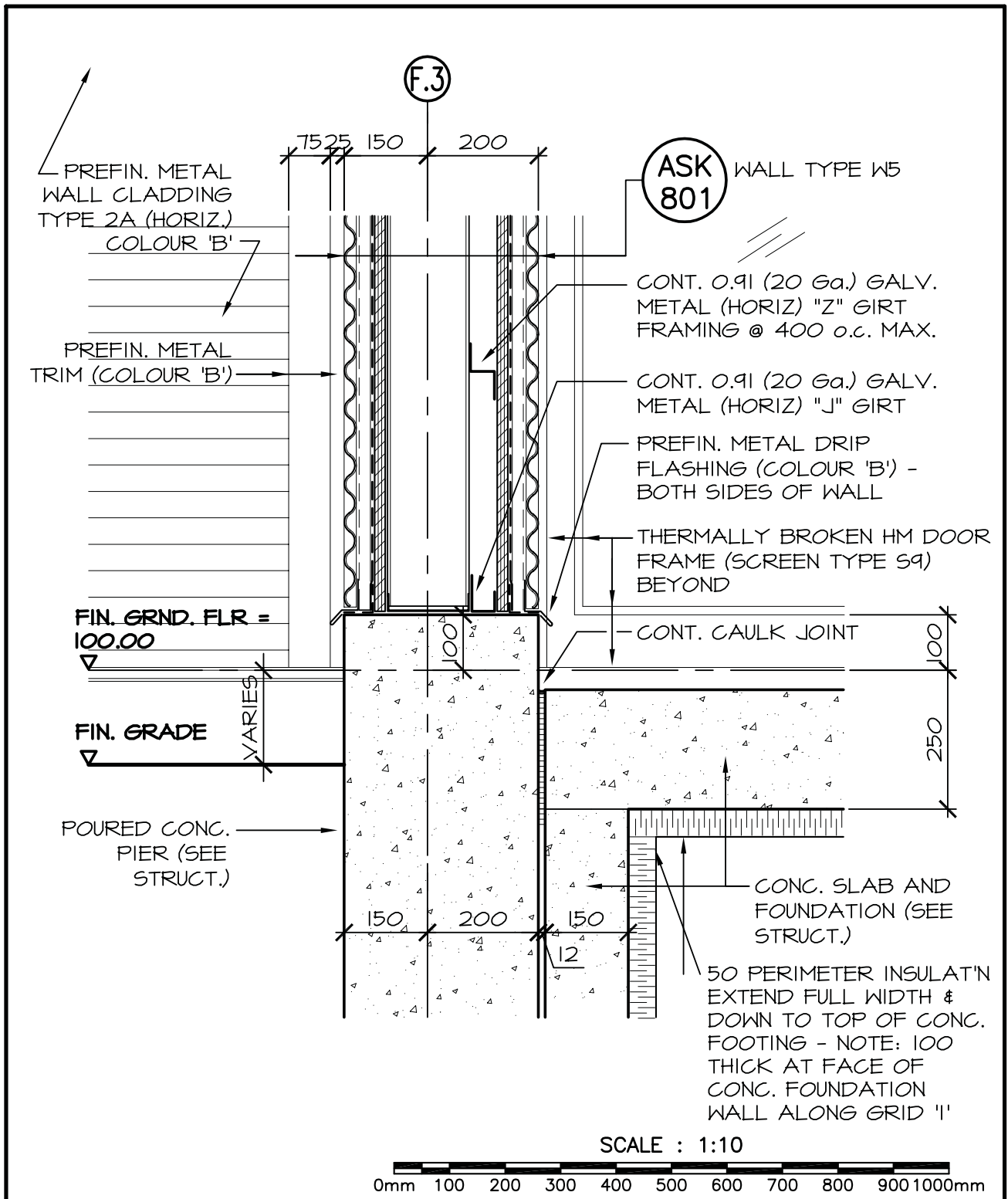
SCALE : 1:10



	Public Works and Government Services Canada	Travaux publics et Services gouvernementaux Canada	Drawing title		Titre du dessin		designed	conçu	date
			CANOPY ROOF EDGE				drawn	dessiné	date
project <b>NEW FOOD SERVICES BUILDING WESTMORLAND INSTITUTION DORCHESTER, NB</b>	projet	project	Tender				Soumission		
			PWGSC Project Manager				Administrateur de projets TPSGC		
			project number	no. du projet	drawing no.	no. du dessin			
		R.061828.001		ASK 804					



Public Works and Government Services Canada	Travaux publics et Services gouvernementaux Canada	Drawing title Titre du dessin		designed conçu	date
		<b>ROOF CURB AT CANOPY</b>		drawn dessiné	date
project <b>NEW FOOD SERVICES BUILDING WESTMORLAND INSTITUTION DORCHESTER, NB</b>		project		approved approuvé	date 01/20/14
Tender PWGSC Project Manager		Submission Administrateur de projets TPSGC			
project number <b>R.061828.001</b>		no. du projet	drawing no. <b>ASK 805</b>	no. du dessin	



**ASK  
801**

WALL TYPE W5

PREFIN. METAL WALL CLADDING TYPE 2A (HORIZ.) COLOUR 'B'

PREFIN. METAL TRIM (COLOUR 'B')

CONT. 0.91 (20 Ga.) GALV. METAL (HORIZ) "Z" GIRT FRAMING @ 400 o.c. MAX.

CONT. 0.91 (20 Ga.) GALV. METAL (HORIZ) "J" GIRT

PREFIN. METAL DRIP FLASHING (COLOUR 'B') - BOTH SIDES OF WALL

THERMALLY BROKEN HM DOOR FRAME (SCREEN TYPE S9) BEYOND

FIN. GRND. FLR = 100.00

FIN. GRADE VARIES

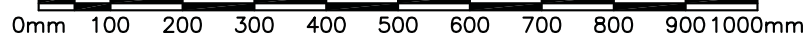
POURED CONC. PIER (SEE STRUCT.)

CONT. CAULK JOINT

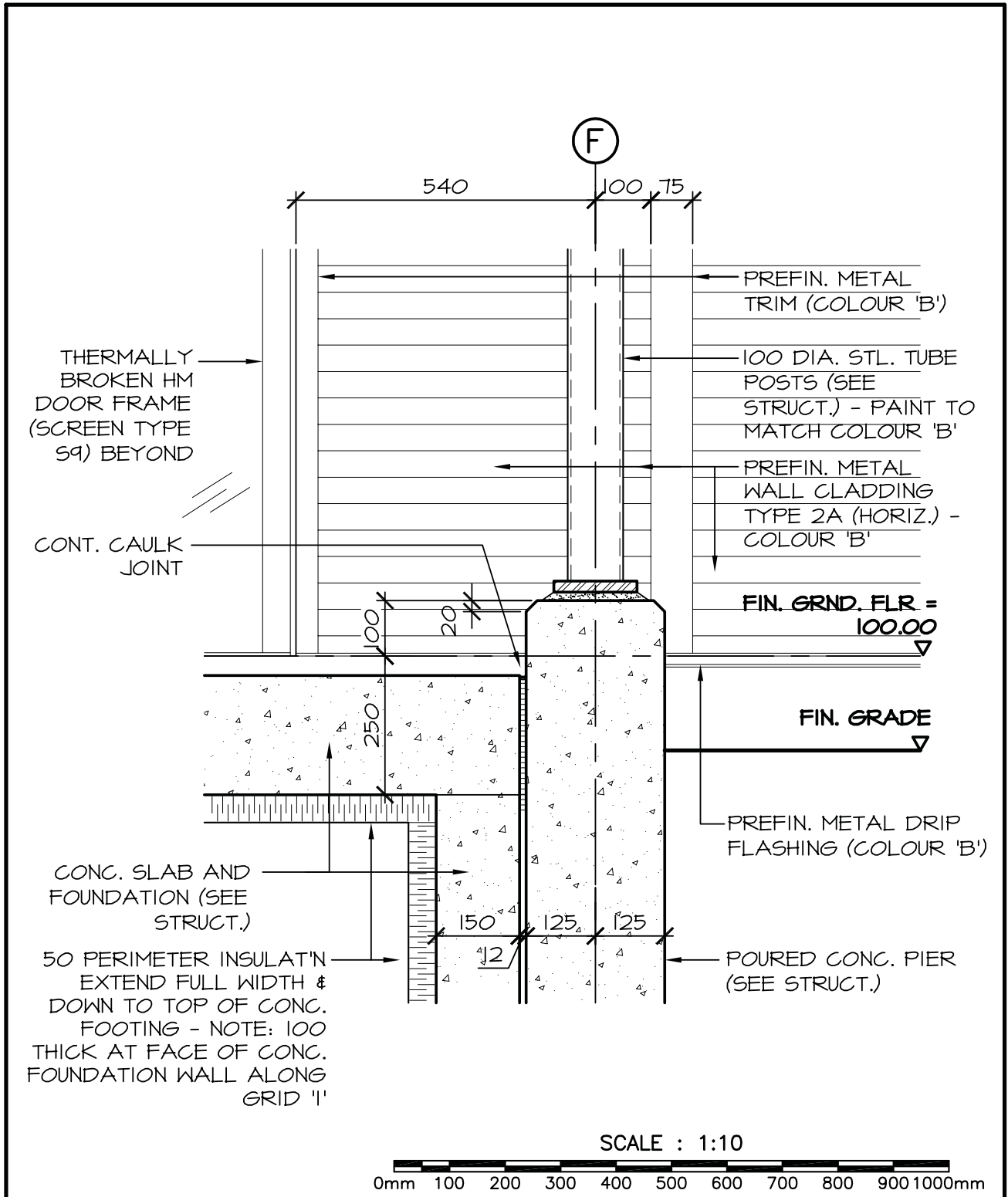
CONC. SLAB AND FOUNDATION (SEE STRUCT.)

50 PERIMETER INSULAT'N EXTEND FULL WIDTH & DOWN TO TOP OF CONC. FOOTING - NOTE: 100 THICK AT FACE OF CONC. FOUNDATION WALL ALONG GRID '1'

SCALE : 1:10

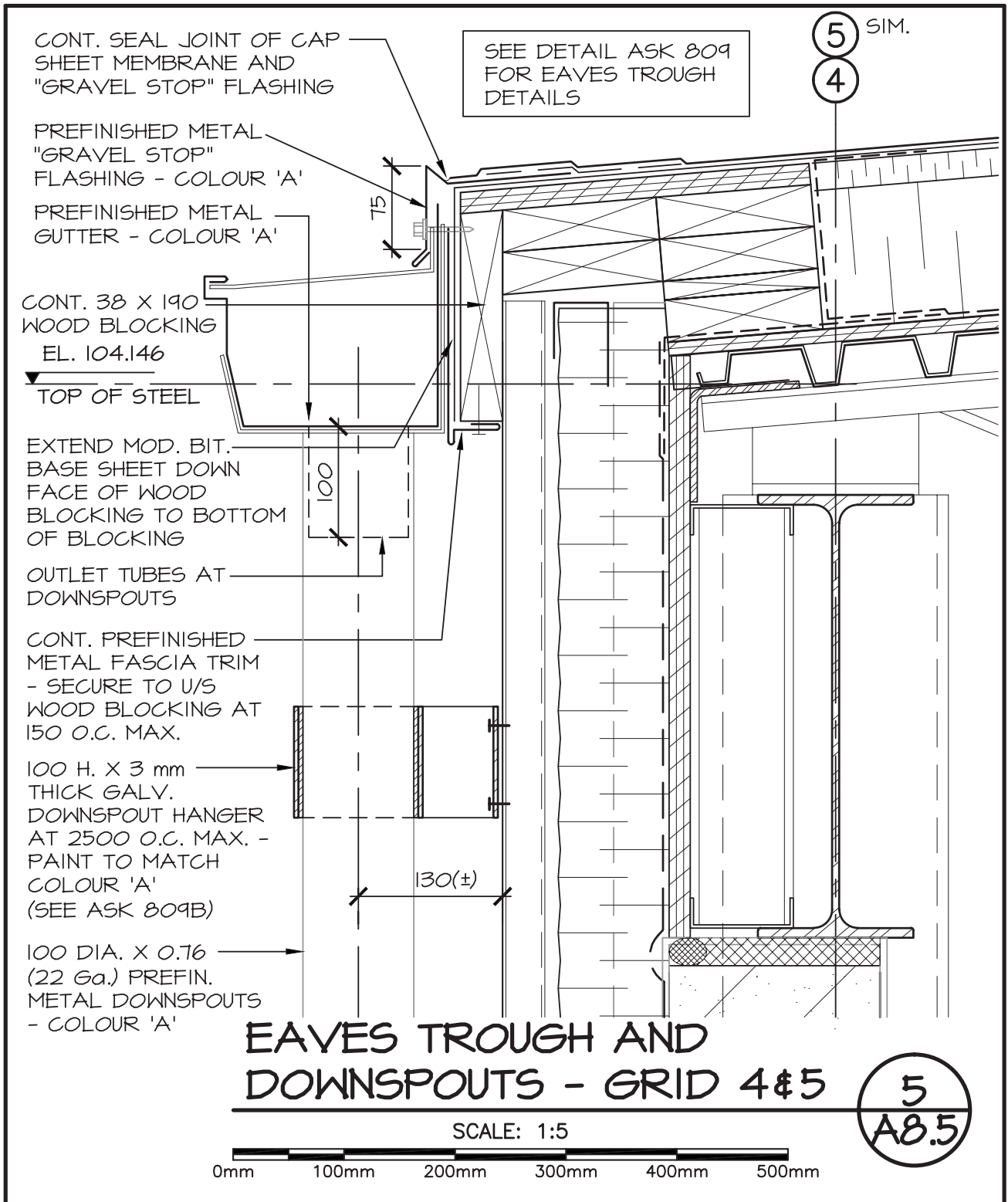


	Public Works and Government Services Canada Travaux publics et Services gouvernementaux Canada	Drawing title <b>CONCRETE PIER AT WALL - ENTRANCE CANOPY</b>		Titre du dessin Titre du dessin	designed conçu	date date	
	project <b>NEW FOOD SERVICES BUILDING WESTMORLAND INSTITUTION DORCHESTER, NB</b>	projet projet	drawn T.H.	dessiné dessiné	date 01/20/14	approved R.G.	approuvé approuvé
Tender PWGSC Project Manager		no. du projet <b>R.061828.001</b>		drawing no. <b>ASK 806</b>		Submission Administrateur de projets TPSGC	

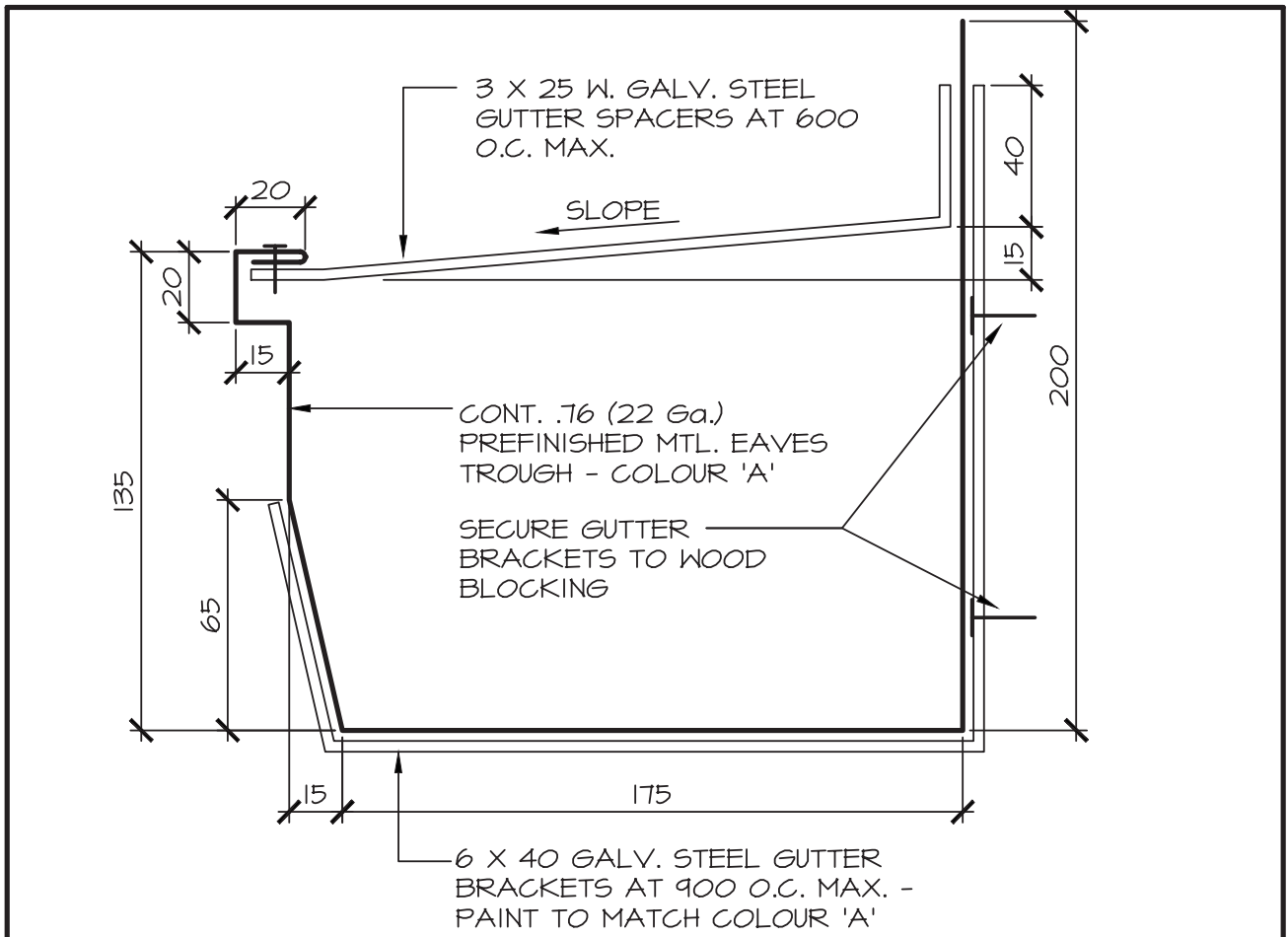


SCALE : 1:10  
 0mm 100 200 300 400 500 600 700 800 900 1000mm

	Public Works and Government Services Canada Travaux publics et Services gouvernementaux Canada	Drawing title <b>CONCRETE PIER AT CANOPY POST</b>	Titre du dessin Titre du dessin	designed conçu	date
	project <b>NEW FOOD SERVICES BUILDING WESTMORLAND INSTITUTION DORCHESTER, NB</b>	projet	drawn T.H.	dessiné	date 01/20/14
		approved R.G.	approuvé	date 01/20/14	date 01/20/14
		Tender PWGSC Project Manager	Soumission Administrateur de projets TPSGC		
		project number <b>R.061828.001</b>	no. du projet	drawing no. <b>ASK 807</b>	no. du dessin



	Public Works and Government Services Canada Travaux publics et Services gouvernementaux Canada	Drawing title / Titre du dessin		designed / conçu	date
		<b>ROOF CURB AT GUTTER</b>		drawn / dessiné	date
project <b>NEW FOOD SERVICES BUILDING WESTMORLAND INSTITUTION DORCHESTER, NB</b> projet				approved / approuvé	date
		Tender		Soumission	
PWGSC Project Manager		Administrateur de projets TPSGC			
project number		no. du projet	drawing no.	no. du dessin	
R.061828.001			ASK 808		

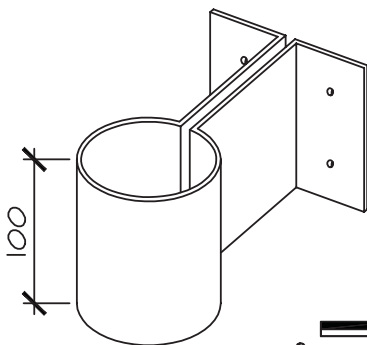


# PREFIN. METAL GUTTER

SCALE : 1:2



A  
809



# DOWNSPOUT HANGER

SCALE: 1:5



B  
809

	Public Works and Government Services Canada	Travaux publics et Services gouvernementaux Canada	Drawing title Titre du dessin <b>PREFIN. METAL GUTTER AND DOWNSPOUT HANGER</b>	designed conçu	date
	project <b>NEW FOOD SERVICES BUILDING WESTMORLAND INSTITUTION DORCHESTER, NB</b>	project	PWGSC Project Manager project number <b>R.061828.001</b>	drawn T.H. approved R.G.	dessin� date 01/20/14 approuv� date 01/20/14
			Tender	Soumission	
			Administrateur de projets TPSGC		
			no. du projet <b>R.061828.001</b>	drawing no. <b>ASK 809</b>	no. du dessin

100 DIA. X 0.76 (22 Ga.) PREFIN. METAL DOWNSPOUTS - COLOUR 'A'

PREFORMED METAL WALL CLADDING

100 H. X 3 mm THICK GALV. DOWNSPOUT HANGER AT 2500 O.C. MAX. - PAINT TO MATCH COLOUR 'A' (SEE ASK 809B)

13 CEMENT BD. W/ CEMENTITIOUS PARGING

CONT. CAULK JOINT (ALL AROUND)

PREFIN. METAL CAP FLASHING W/ 25 RETURNS AT SIDES - COLOUR 'A'

13 CHAMFER TOP & BOTTOM EDGES (TYP.)

CONT. 100 X 300 PRESSURE TREATED WOOD BUMPER RAIL

CONT. CAULK JOINT AROUND WOOD BLOCKING

DOWNSPOUT HANGER

CONT. CAULK JOINT

ASPHALT PAVING

FIN. GRADE

300

4

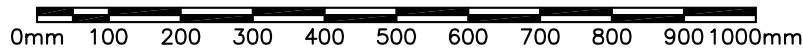
340 X 240 W. X 625 L. PRESSURE TREATED WOOD BRACKETS @ 1200 O.C. PRESERVATIVE TREAT ALL CUT ENDS

38 x 140 WOOD BLOCKING BACKUP

# BUMPER RAIL

SCALE : 1:10

4  
A8.8



	Public Works and Government Services Canada Travaux publics et Services gouvernementaux Canada	Drawing title <b>DOWNSPOUT AT BUMPER RAIL</b>	Titre du dessin Titre du dessin	designed conçu	date
	project <b>NEW FOOD SERVICES BUILDING WESTMORLAND INSTITUTION DORCHESTER, NB</b>	project	drawn T.H.	dessiné date 01/20/14	approved R.G.
Tender PWGSC Project Manager		Submission Administrateur de projets TPSGC			
project number <b>R.061828.001</b>		no. du projet		drawing no. <b>ASK 810</b>	

## **PART 1 – GENERAL**

### **1.1 GENERAL REQUIREMENTS**

- .1 Comply with the requirements of Division 1

### **1.2 RELATED SECTIONS**

- .1 Section 07 21 00: Building Insulation.
- .2 Section 07 21 19: Foamed-in-Place Insulation.
- .3 Section 07 27 26: Fluid Applied Membrane Air Barrier.
- .4 Section 07 62 00: Sheet Metal Flashings and Trim.

### **1.3 REFERENCES**

- .1 American Society for Testing and Materials International (ASTM)
  - .1 ASTM D968-05(2010), Standard Test Methods for Abrasion Resistance of Organic Coatings by the Falling Abrasive.
  - .2 ASTM D2247-11, Standard Practice for Testing Water Resistance of Coatings in 100% Relative Humidity.
  - .3 ASTM G154-06, Standard Practice for Operating Fluorescent Light Apparatus for UV Exposure of Nonmetallic Materials.
- .2 Canadian General Standards Board (CGSB)
  - .1 CAN/CGSB-1.162-2004, Emulsion Coating for Stucco and Masonry.
- .3 Health Canada (HC)
  - .1 Workplace Hazardous Materials Information System (WHMIS).
  - .2 Material Safety Data Sheets (MSDS).
- .4 Underwriters' Laboratories of Canada (ULC)
  - .1 CAN-ULC-S134-92 (R1998), Standard Method of Fire Test of Exterior Wall Assemblies.

### **1.4 DEFINITIONS**

- .1 Aesthetic joint: joint for appearance or installation ease. Also known as reveals grooves and reglets used to provide starting and stopping points during application of finish coat.
- .2 Base coat adhesive: adhesive used in base coat. Polymer modified, polymer based or cementitious material, typically mixed with Portland cement.
- .3 Base coat: base coat consists of 2 components; base coat adhesive and reinforcing mesh.



**1.4 DEFINITIONS (continued)**

- .4 Direct-Applied: direct-applied systems use EIFS-like coatings applied directly to rigid sheathing boards. Insulation is not used in these systems, thus, they are not EIFS.
- .5 Lamina: base coat reinforcing mesh and finish.
- .6 Reinforcing mesh: woven glass fibre reinforcement to base coat providing impact resistance.

**1.5 SYSTEM DESCRIPTION**

- .1 Performance requirements: ensure installed modified polymer (soft) coat wall system has following performance properties:
  - .1 Comply with CAN-ULC-S134.
  - .2 Finish abrasion resistance: falling sand method to ASTM D968, no deleterious effects.
  - .3 Finish moisture resistance: to ASTM D2247, after 14 days exposure - no deleterious effects.
  - .4 Accelerated weathering: to CAN/CGSB-1.162 and ASTM G154, 2000 hours - no effect.

**1.6 SUBMITTALS**

- .1 Provide submittals in accordance with Section 01 33 00 – Submittal Procedures.
- .2 Product Data:
  - .1 Submit product data sheets for system materials. Include product characteristics, performance criteria, limitations and colours.
  - .2 Submit WHMIS MSDS - Material Safety Data Sheets acceptable to Labour Canada, and Health and Welfare Canada for exterior finish - direct applied materials. Indicate VOC content.

**1.7 DELIVERY, STORAGE AND HANDLING**

- .1 Deliver, store and handle materials in accordance with Section 01 61 00 – General Product Requirements.
- .2 Deliver and store materials in accordance with manufacturer's instructions.
- .3 Protect finish materials from freezing.
- .4 Safety: Comply with requirements of Workplace Hazardous Materials Information System (WHMIS) regarding use, handling, storage, and disposal of finishes, adhesive and caulking materials.

## 1.8 AMBIENT CONDITIONS

- .1 Temperature, relative humidity, moisture content.
  - .1 Apply exterior finish system components at temperatures, relative humidity, and substrate moisture content and substrate temperature in accordance with manufacturer's written instructions.
  - .2 Maintain ambient temperature above 5 degrees C during base coat application and until cured minimum 24 hours.
  - .3 Maintain ambient temperature above 5 degrees C during finish coat application and until cured minimum 24 hours.

## PART 2 - PRODUCTS

### 2.1 FINISH SYSTEM

- .1 DuRock by Alfacing International Ltd.
- .2 "Tuff-Cote" Textured Acrylic Wall Coating by Gemite Industries Inc.
- .3 Akrilon Designer III Plaster by Akrilon Industries Inc.
- .4 Equivalent systems by ADEX Systems Inc., Dryvit Systems Canada Ltd., STO Industries Inc., or other acceptable manufacturers.

### 2.2 MATERIALS

- .1 Conditioner: clear conditioner/sealer compatible with system materials, recommended by system manufacturer.
- .2 Leveller: polymer-modified, cement-based, reinforced levelling compound.
- .3 Base Coat: acrylic: non-cementitious, fibre reinforced base coat system, smooth texture.
- .4 Reinforcing Mesh: balanced, woven, glass fibre fabric made from twisted multi-end strands, treated, alkali resistant, compatible with chemical bonding system base coat and finish coat, weight heavy - 509 g/m<sup>2</sup>.
- .5 Finish Coat: modified polymer finish coat system: acrylic resins in dispersion, silica aggregate, integral mineral pigmentation and additives; medium texture; colour: selected from manufacturer's standard range at later date by Departmental Representative.
- .6 Primer: as recommended by system manufacturer.
- .7 Exterior wall insulation for textured stucco finish assembly: as specified in Section 07 21 00 – BUILDING INSULATION.
- .8 Cement board: to ASTM C473, 12 mm thick, 1220 mm wide x maximum practical length, ends square cut, edges formed smooth.
- .9 Cementitious parging: single component sand/cement blend for coating or parging vertical surfaces.

### **2.3 ACCESSORIES**

- .1 Accessories: Fasteners, PVC corner beads, casing beads, stop beads, control joints and accessories, as recommended by finish system manufacturer to suit system components.
- .2 Sealant: as recommended by finish system manufacturer.

### **2.4 MIXES**

- .1 General:
  - .1 Mixer: high speed, clean and rust free.
  - .2 Mixing pail: clean and rust free.
  - .3 Mixes: additive free.
- .2 Conditioner: mix in accordance with manufacturer's written instructions.
- .3 Leveller: mixed to uniform consistency in accordance with manufacturer's written instructions.
- .4 Basecoat: mixed to uniform consistency in accordance with manufacturer's written instructions.
- .5 Finish coat: mixed to uniform consistency in accordance with manufacturer's written instructions.

## **PART 3 - EXECUTION**

### **3.1 MANUFACTURER'S INSTRUCTIONS**

- .1 Compliance: comply with manufacturer's written recommendations or specifications, including product technical bulletins, handling, storage and installation instructions, and datasheets.

### **3.2 EXAMINATION**

- .1 Inspect and verify condition of substrate surfaces for contamination, surface absorption, chalkiness, cracks, damage, deterioration, moisture content, moisture damage, and tolerances. Report to Departmental Representative any unsatisfactory conditions. Start of work shall imply acceptance of conditions.

### **3.3 PREPARATION**

- .1 Protection:
  - .1 Protect adjacent surfaces from damage resulting from Work of this section.
  - .2 Protect finished Work from water penetration at end of each day or on completion of each section of Work.

### 3.3 PREPARATION (continued)

- .1 (continued)
  - .3 Protect installation from moisture for 48 hours minimum after completion of each portion of Work.
- .2 Surface preparation:
  - .1 Ensure environmental and site conditions are suitable for installation of system.
  - .2 Prepare surfaces in accordance with manufacturer's written instructions.
  - .3 Apply clear conditioner/sealer compatible with system materials, substrate and as recommended by system manufacturer.
  - .4 Apply reinforced levelling compound as recommended by system manufacturer. Apply to existing substrate, 1/4" thick maximum and allow time to fully cure.

### 3.4 INSTALLATION

- .1 Install system in accordance with CAN-ULC-S134.
- .2 Install required accessories as detailed and as required by exterior panel finish system manufacturer, and in accordance with CAN-ULC-S134.
- .3 Install control joints in locations indicated and to manufacturers written instructions.
- .4 Mesh and Base Coat Application:
  - .1 Apply 230 mm x 305 mm. diagonal strips of reinforcing mesh at corners, lights, grilles and penetrations through system.
    - .1 Embed strips in wet base coat and trowel from centre to mesh edge to avoid wrinkles.
  - .2 Apply corner mesh at inside and outside corners.
    - .1 Embed mesh in wet base coat and trowel from corner of mesh edges.
  - .3 High impact mesh application: apply base coat over substrate to uniform thickness of approximately 6 mm.
    - .1 Work horizontally or vertically in 915 mm. strips, and immediately embed mesh into wet base coat by troweling from centre to mesh edge.
    - .2 Overlap mesh 65 mm. minimum at mesh seams and overlaps of detail mesh.
    - .3 Feather seams and edges.
    - .4 Double wrap inside and outside corners with minimum 65 mm. overlap in each direction. Embed corner mat in wet base coat, allow to dry, then overlap up to corner with standard reinforcing mesh embedded in base coat.

### 3.4 INSTALLATION

- .4 (continued)
  - .3 (continued)
    - .5 Avoid wrinkles in mesh.
    - .6 Fully embed mesh so that no mesh colour shows through basecoat when dry.
    - .7 Ensure minimum base coat thickness of 6 mm. when dry. Re-skim base coat if 6 mm. thickness not achieved during initial application.
    - .8 Allow base coat to thoroughly dry before applying primer or finish coat.
  - .5 Finish Coat Application
    - .1 Apply finish coat in accordance with manufacturer's written installation instructions.
    - .2 Prime dry base coat and allow to dry thoroughly before applying finish coat.
    - .3 Apply finish coat directly over base coat, or primed basecoat, only after base coat or primer has thoroughly dried.
    - .4 Apply finish by spray or trowel as recommended by manufacturer.
    - .5 Apply finish in continuous application, and work towards wet edge.
    - .6 Do not install separate batches of finish coat side by side.
    - .7 Do not apply finish into or over sealant joints.
    - .8 Do not apply finish over irregular or unprepared surfaces.
    - .9 Apply textured or aggregate finishes to wall areas as indicated and in accordance with manufacturer's written instructions.

### 3.5 CLEAN UP

- .1 Upon completion of installation remove excess materials, droppings and debris, tools and equipment barriers.
- .2 Clean surface and adjacent work area of foreign materials resulting from installation procedures.

**END OF SECTION**