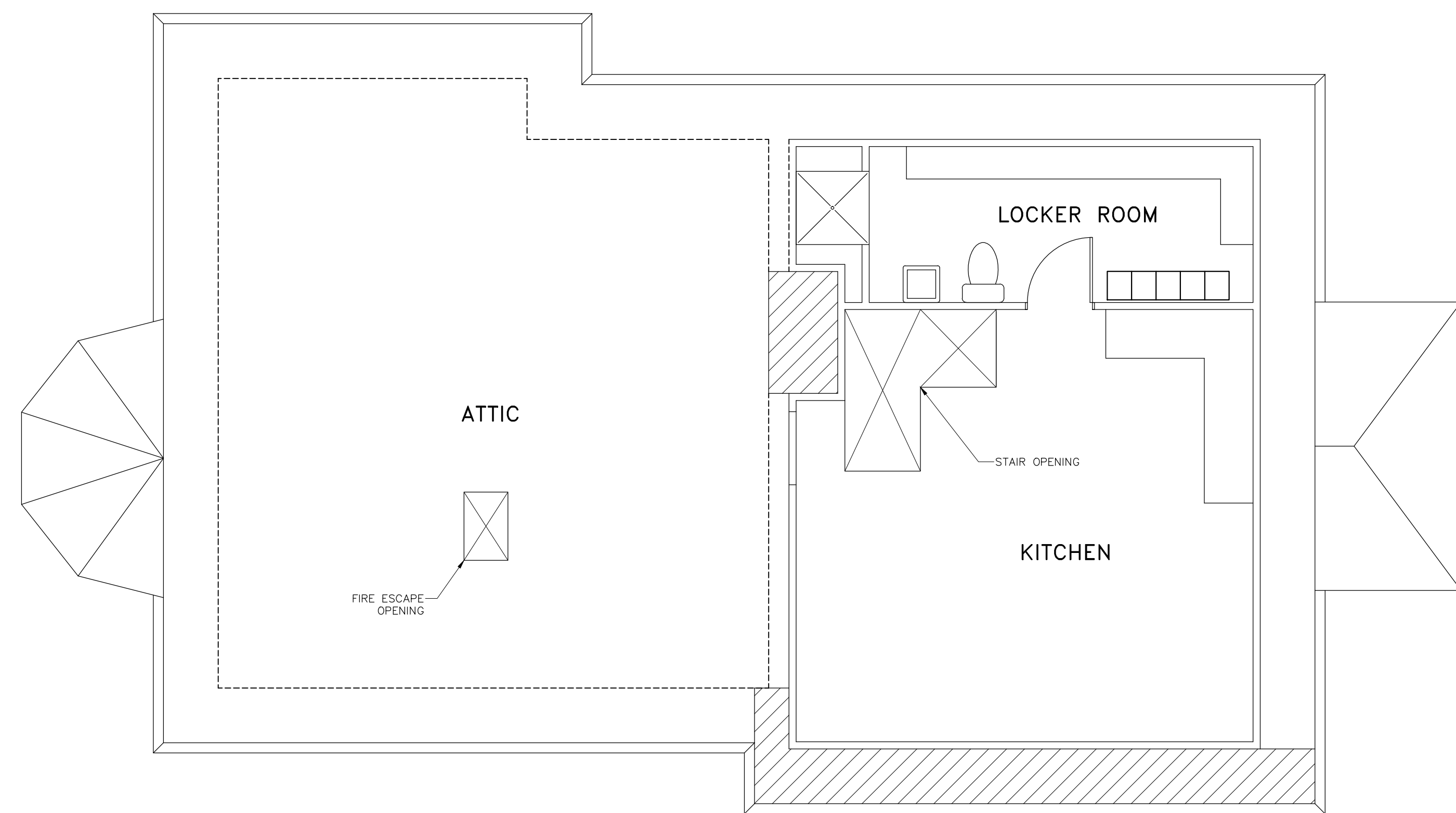
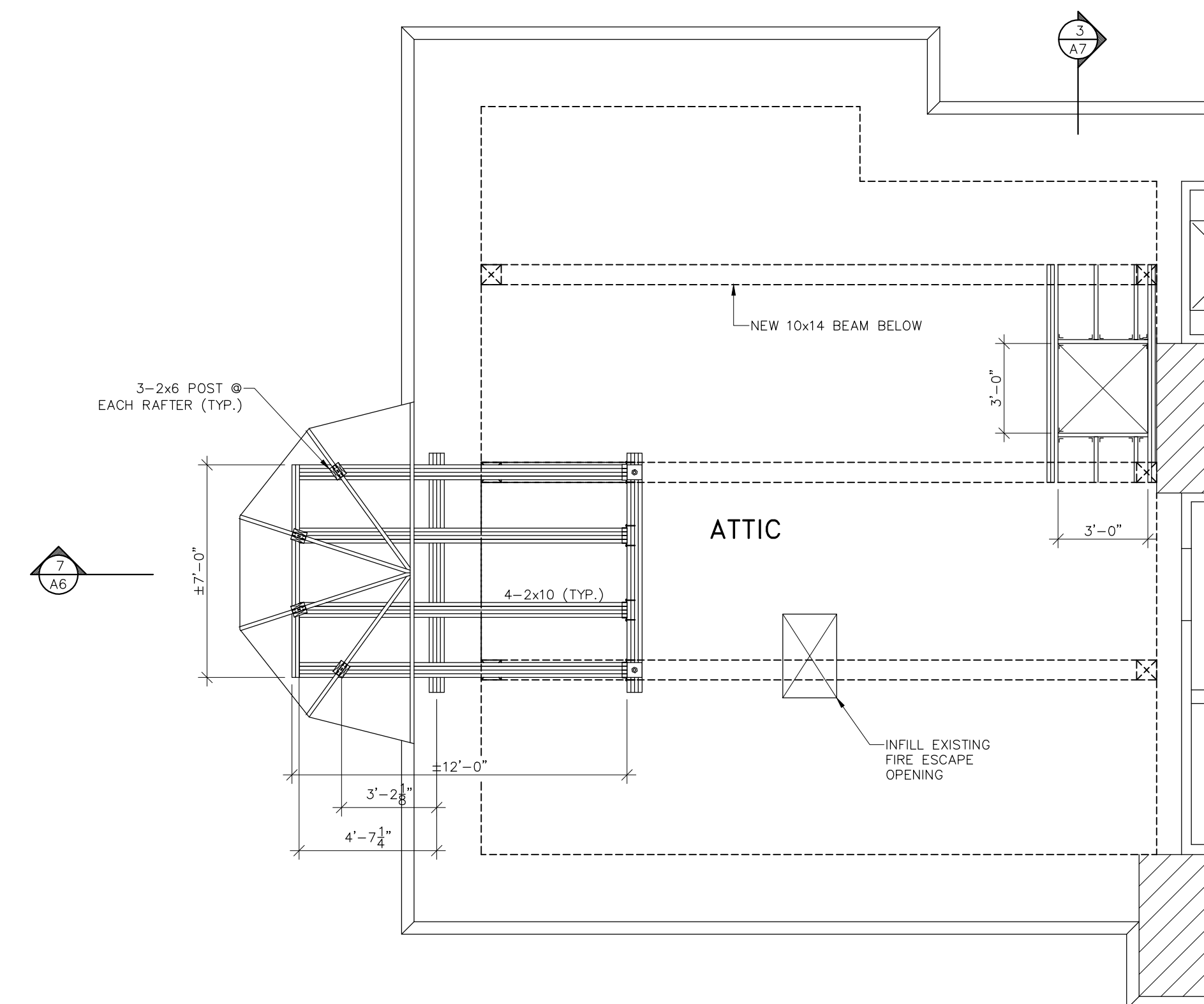


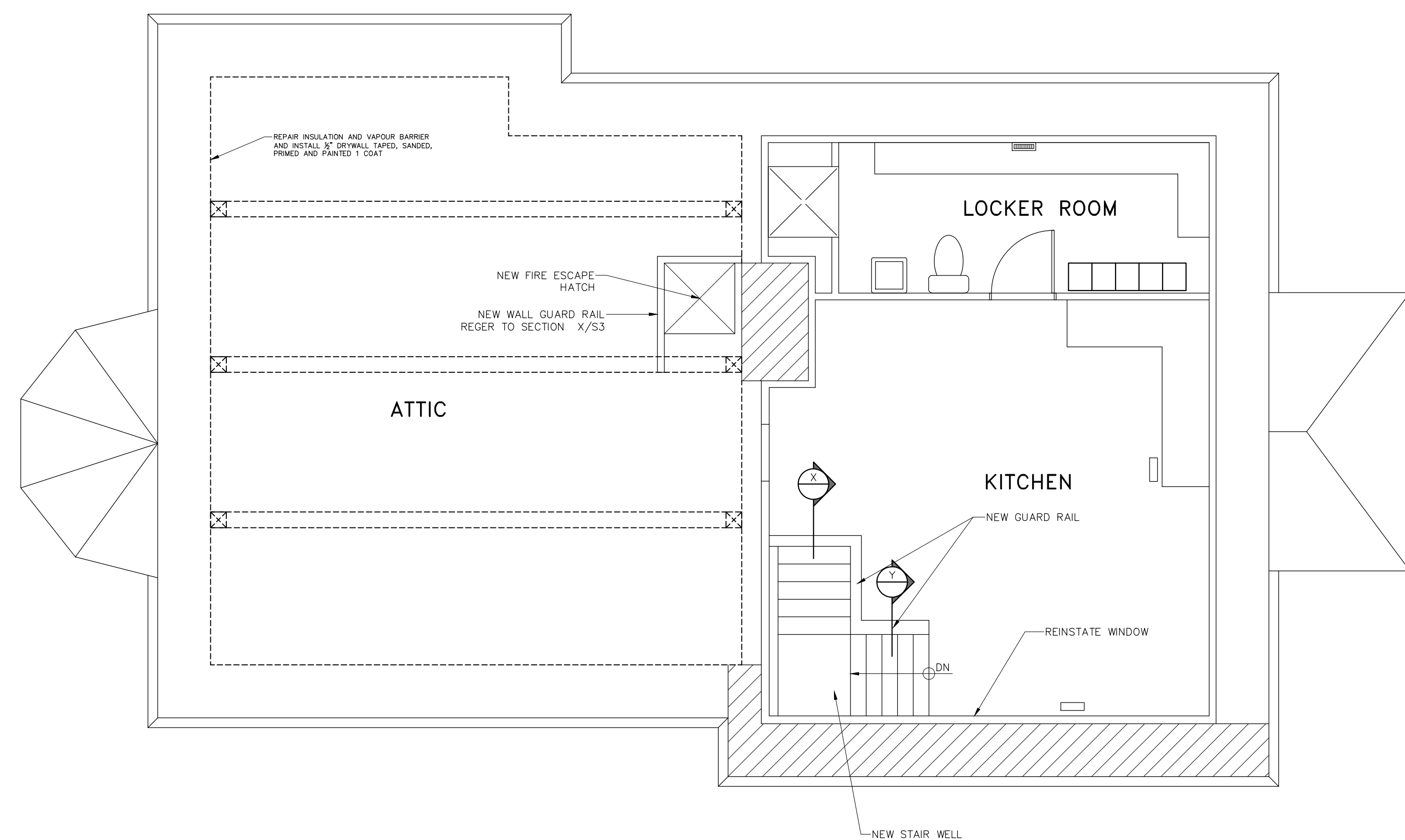
FOR GENERAL NOTES  
REFER TO DRWG S1



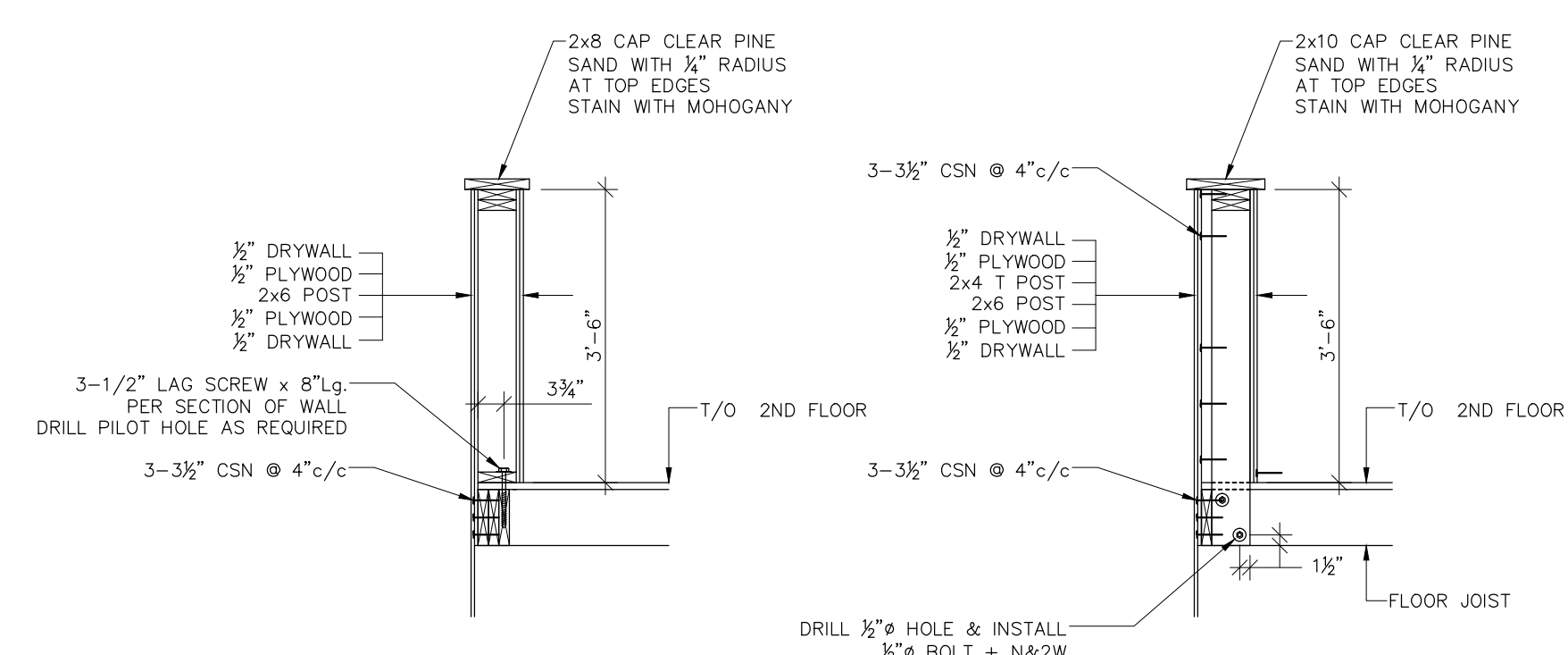
SECOND FLOOR PLAN - EXISTING



PARTIAL ATTIC FLOOR - FRAMING PLAN



SECOND FLOOR PLAN - NEW



SECTION X

SECTION Y

no.	date	description
13.01.14		ISSUED FOR TENDER
06.01.14		ISSUED FOR 90% REVIEW
18.12.13		ISSUED FOR REVIEW

revisions

Client Acceptance / Acceptation du client  
Signature \_\_\_\_\_ Date \_\_\_\_\_  
File No. / No. de dossier \_\_\_\_\_



ONTARIO WATERWAYS FIELD UNIT - RIDEAU CANAL NHS  
**Canada**  
Type of Record / Type d'enregistrement  
TYPE

Project title / Titre du projet  
**RIDEAU CANAL NHS  
OTTAWA LOCK CONTROL  
BUILDING RENOVATION**

Drawing title / Titre du dessin  
**SECOND FLOOR PLAN  
ATTIC FLOOR PLAN  
AND DETAILS**

Scale / Echelle  
SCALE  
Drawn by / Dessine par \_\_\_\_\_ Date \_\_\_\_\_  
W.J.L. 10.12.13  
Field Recording by / Relevé-Terminé par \_\_\_\_\_ Date \_\_\_\_\_  
Approved by / Approuvé par \_\_\_\_\_ Date \_\_\_\_\_

Checked by / Vérifié par \_\_\_\_\_  
Project No. / No. du projet \_\_\_\_\_ Asset No. \_\_\_\_\_ Sheet No. / Feuille No. \_\_\_\_\_  
00102  
Drawing Re No./No. du Dessin \_\_\_\_\_ **A3**