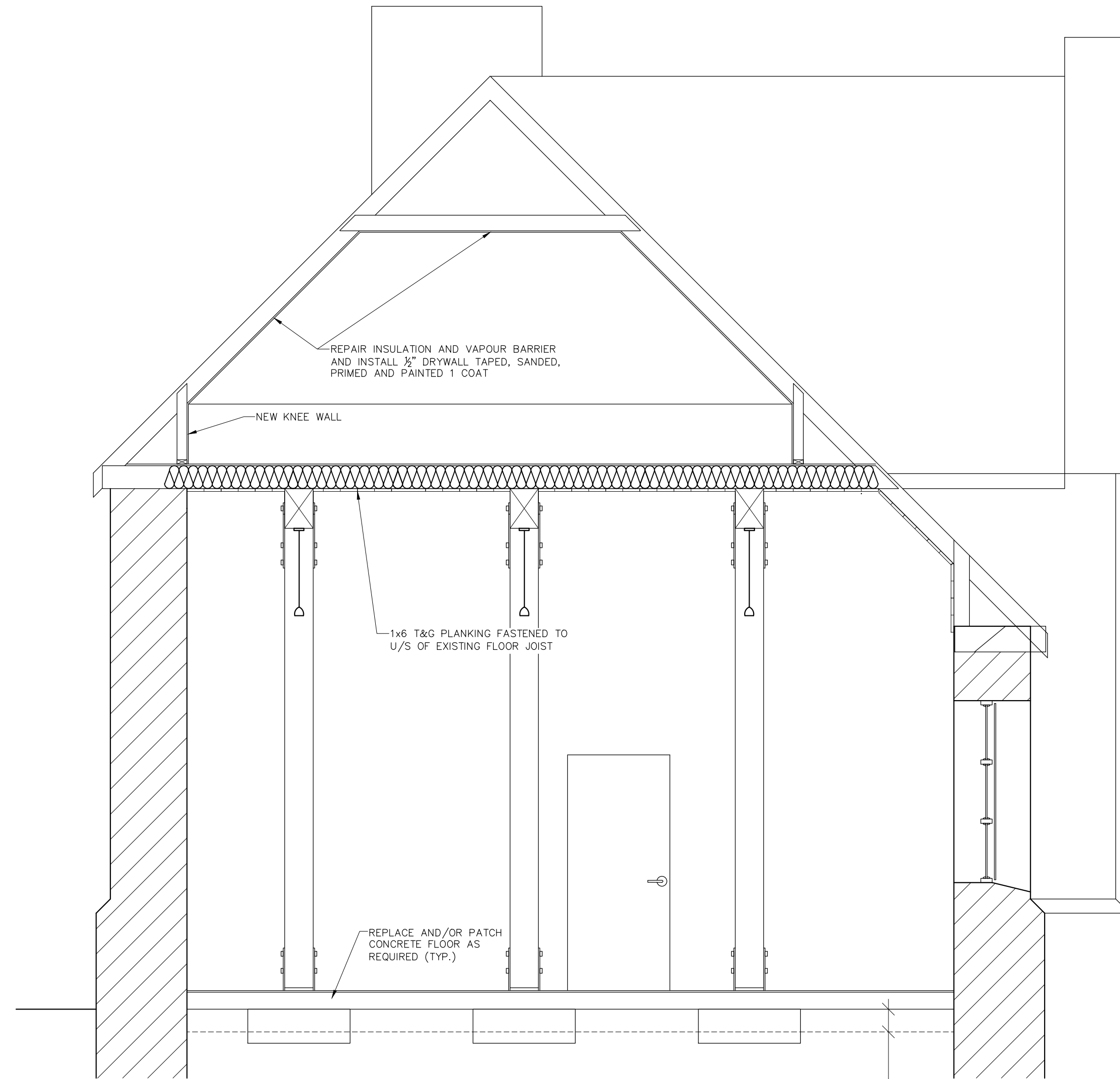
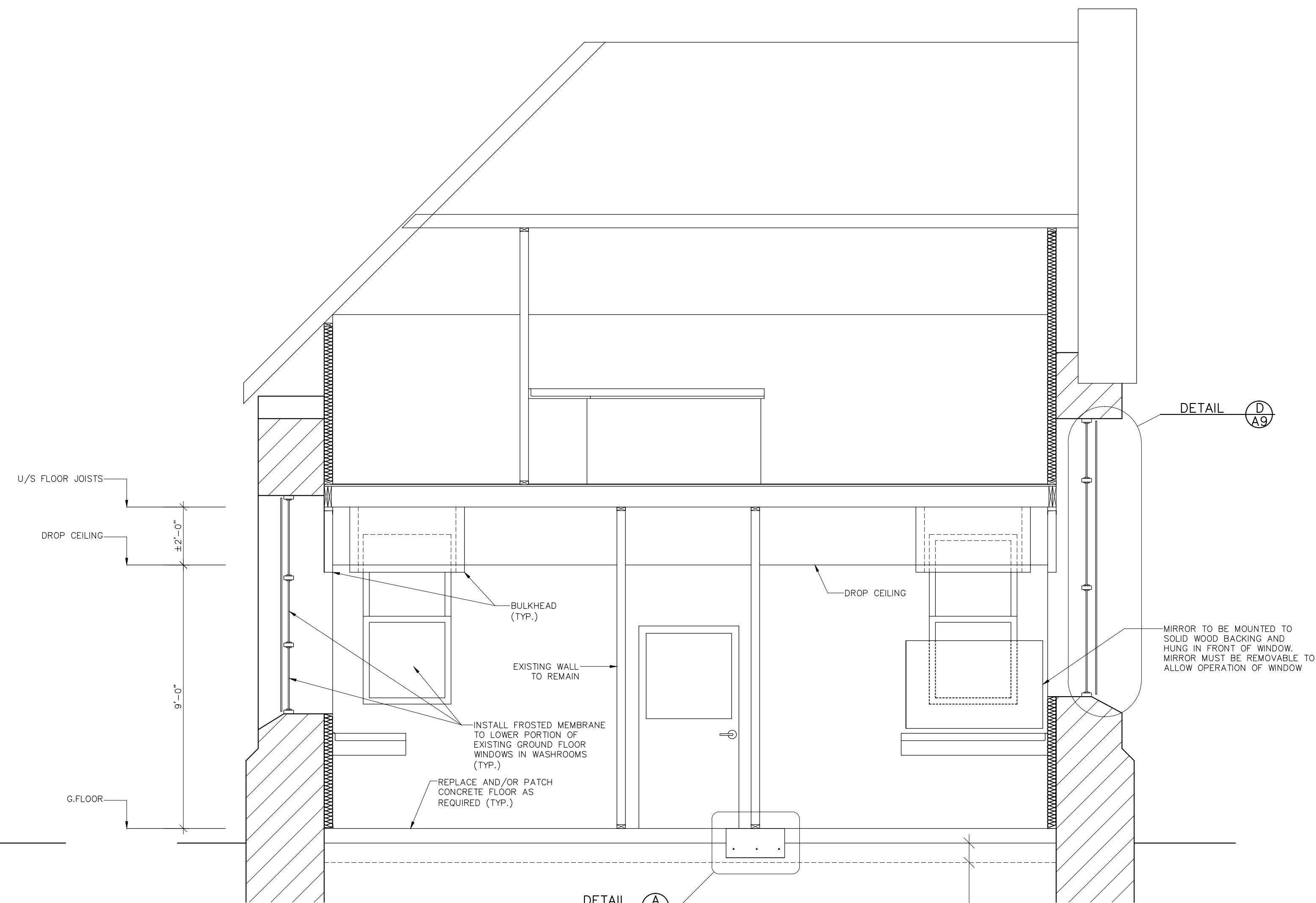


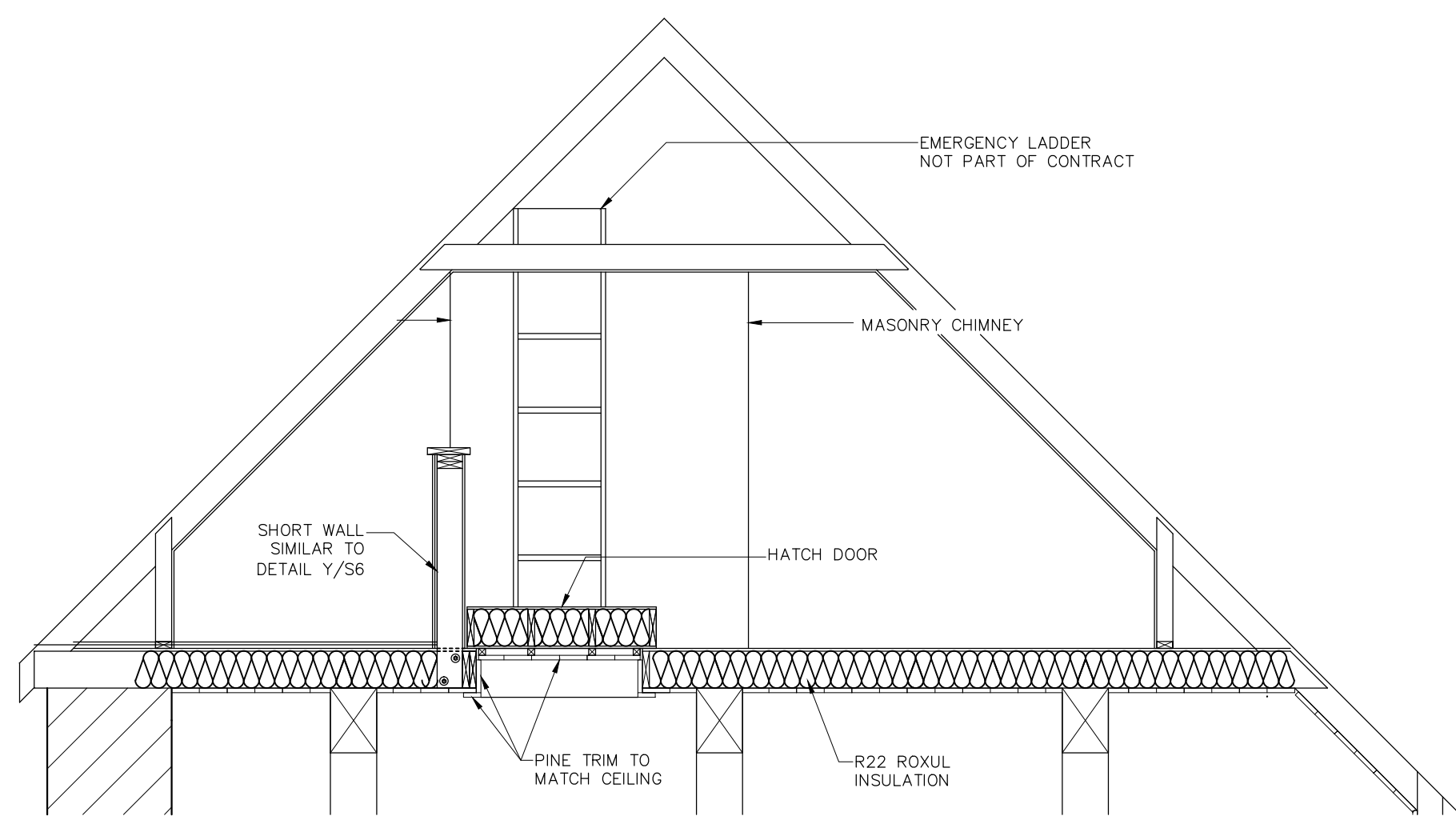
FOR GENERAL NOTES
REFER TO DRWG S1



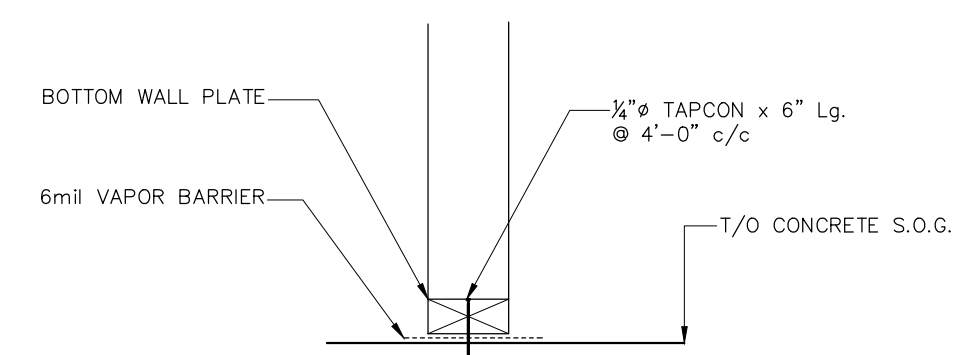
SECTION 1
A2



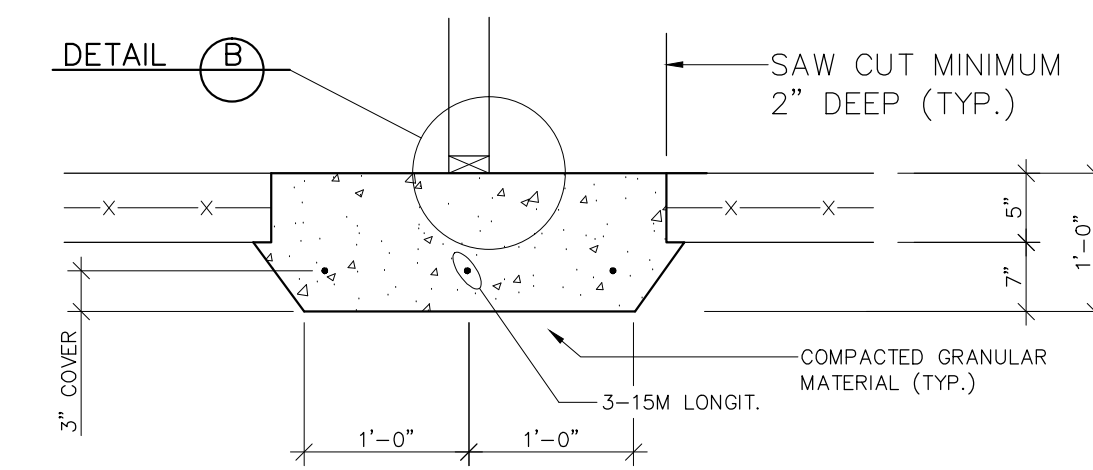
SECTION 2
A2



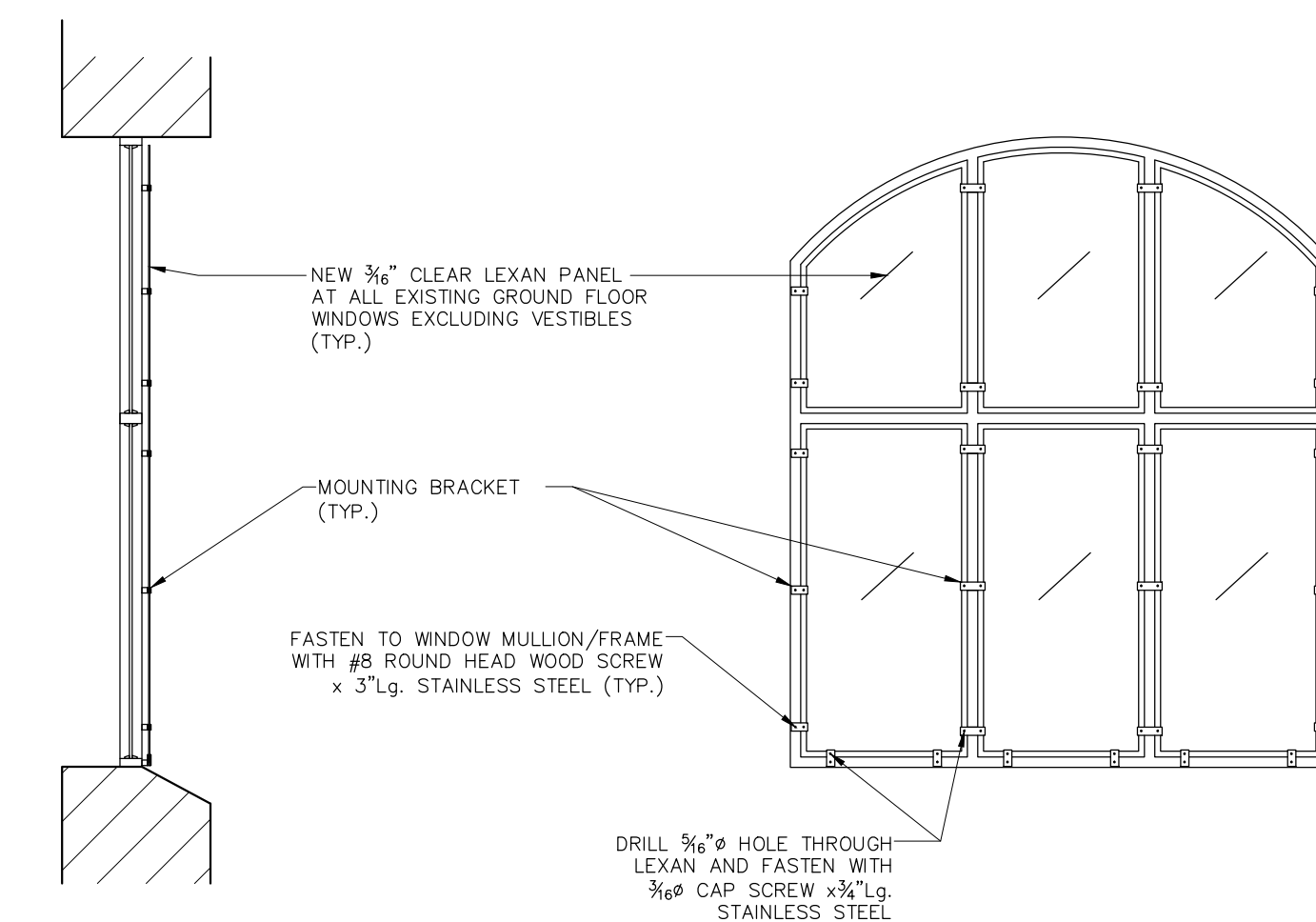
SECTION 3
A3



DETAIL B



DETAIL A



DETAIL D

13.01.14	ISSUED FOR TENDER
06.01.14	ISSUED FOR 90% REVIEW
18.12.13	ISSUED FOR REVIEW

no.	date	description
revisions		
Client Acceptance / Acceptation du client		
Signature	Date	
File No. / No. de dossier		



ONTARIO WATERWAYS FIELD UNIT - RIDEAU CANAL NHS
Canada

Type of Record / Type d'enregistrement
TYPE

Project title / Titre du projet
**RIDEAU CANAL NHS
OTTAWA LOCK CONTROL
BUILDING RENOVATION**

Drawing title / Titre du dessin
**BUILDING SECTIONS
AND DETAILS**

Scale / Echelle
SCALE

Drawn by / Dessiné par
W.J.L. Date
10.12.13

Field Recording by / Relevé-Terminé par
Date

Approved by / Approuvé par
Date

Checked by / Vérifié par

Project No./ No. du projet
00102

Sheet No./ Feuille No.
A7