

CYLINDRE "G"

Department of Transport - Can. In.
 - Aide to Navigation Branch
 SERVICE MARINE AGENCY

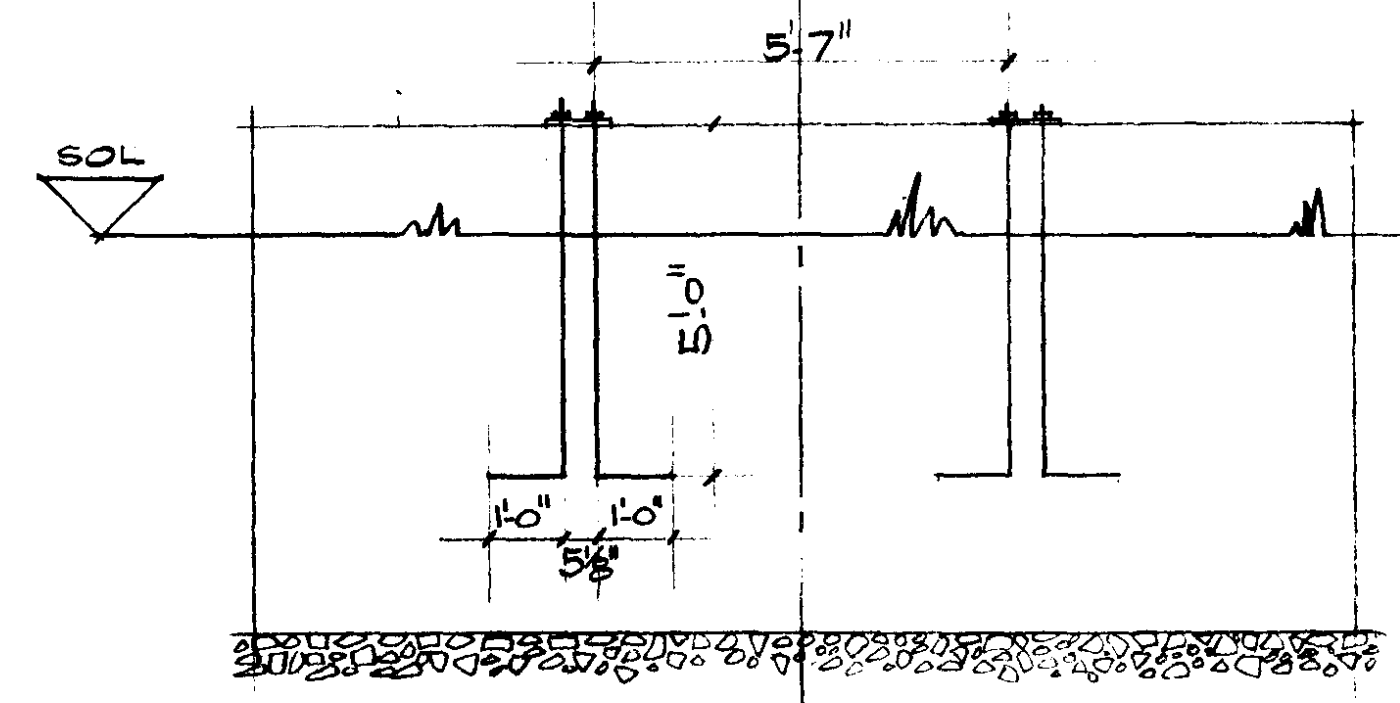
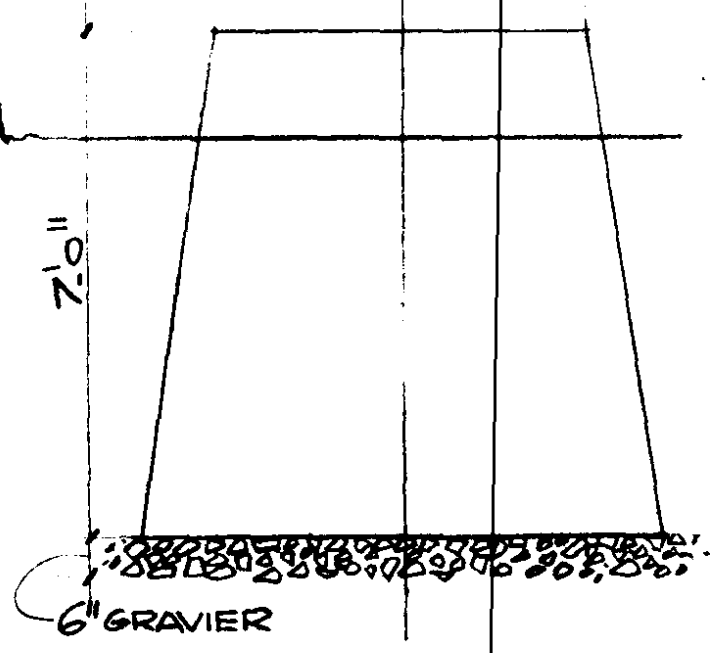
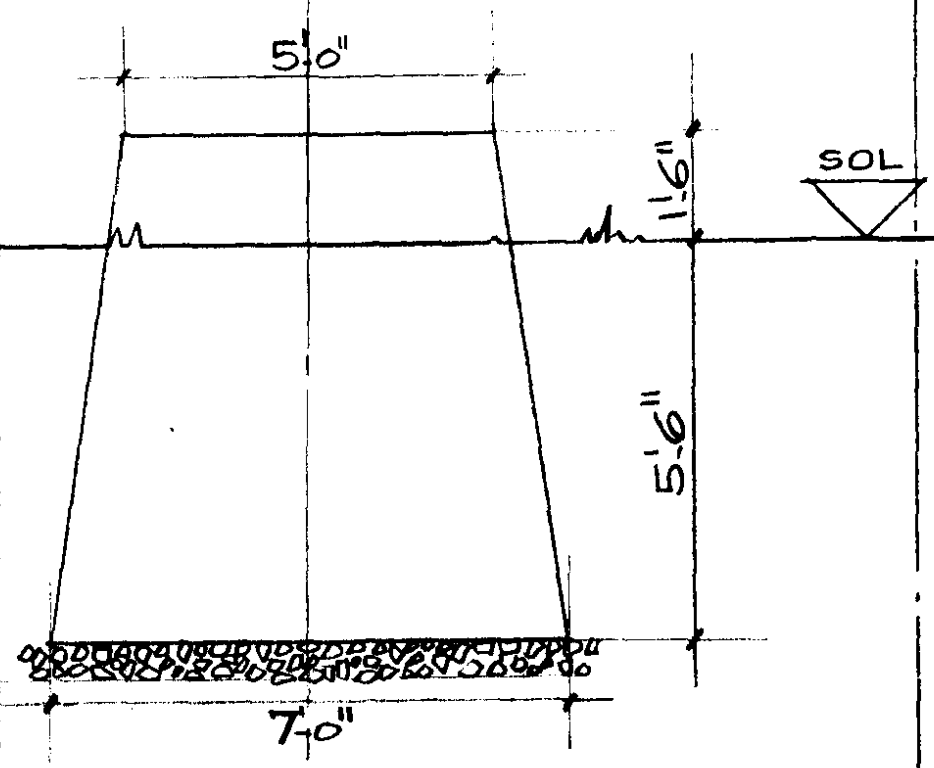
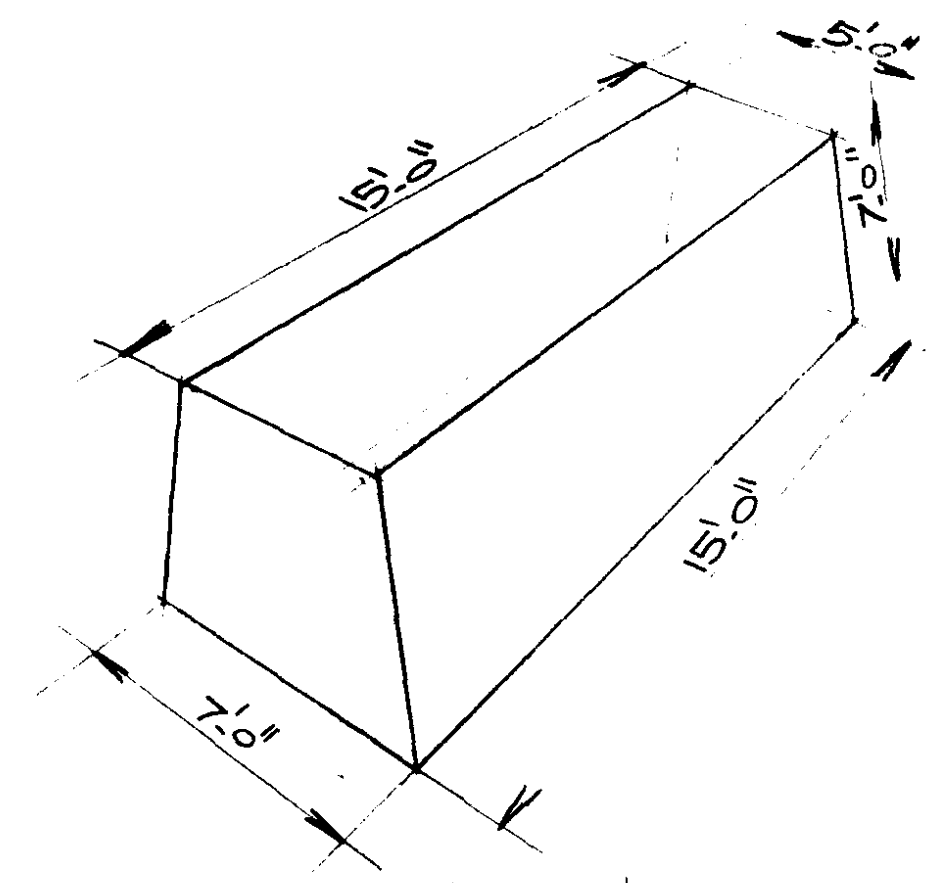
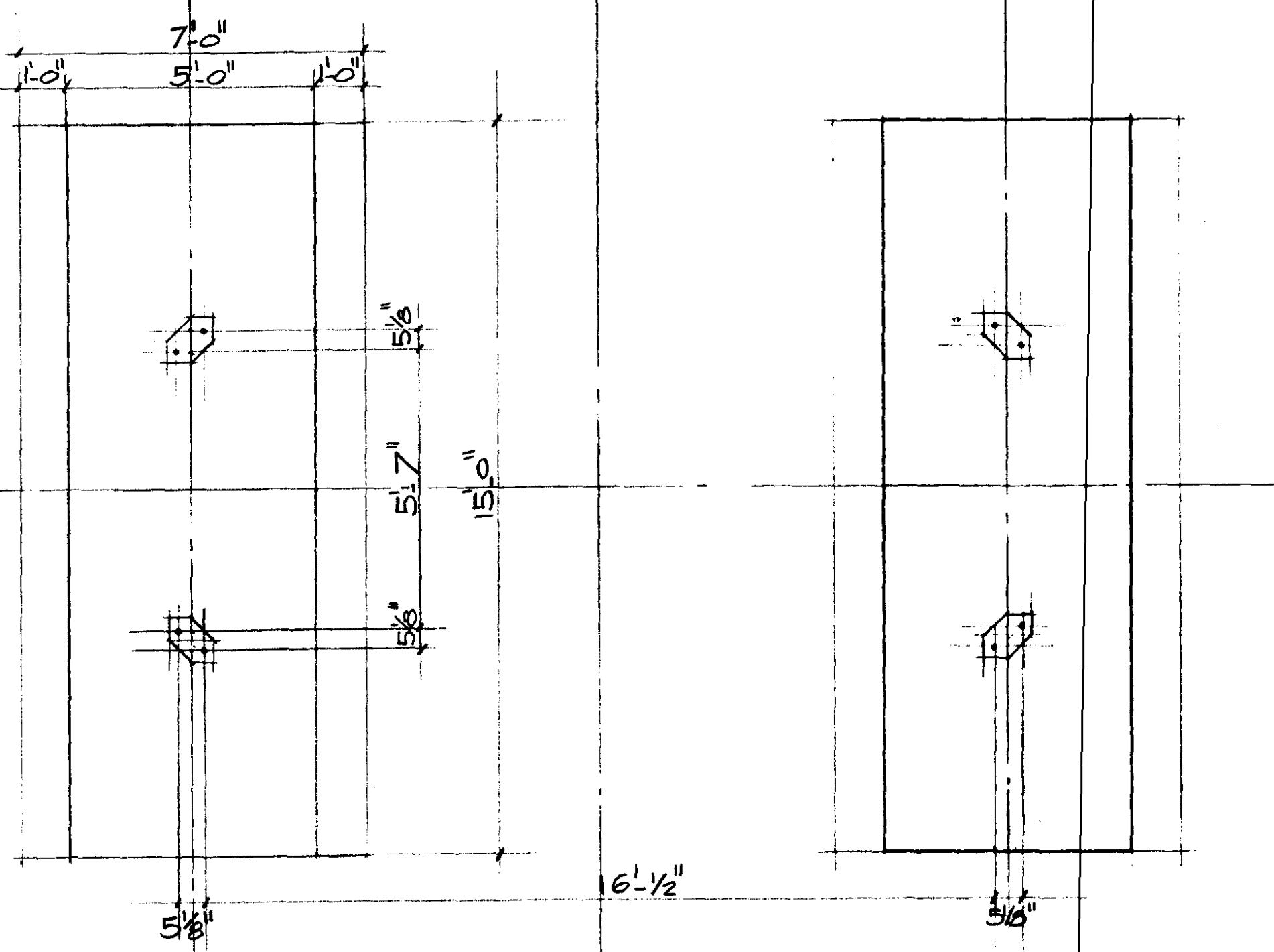
NICOLET TRAVERSE
 PHARE ARRIERE

DESIGNER: [Signature] MM. 12/12/68

DRAMA: [Signature] bid. 12/2/68

REF: 08745 3/8" = 1'-0"

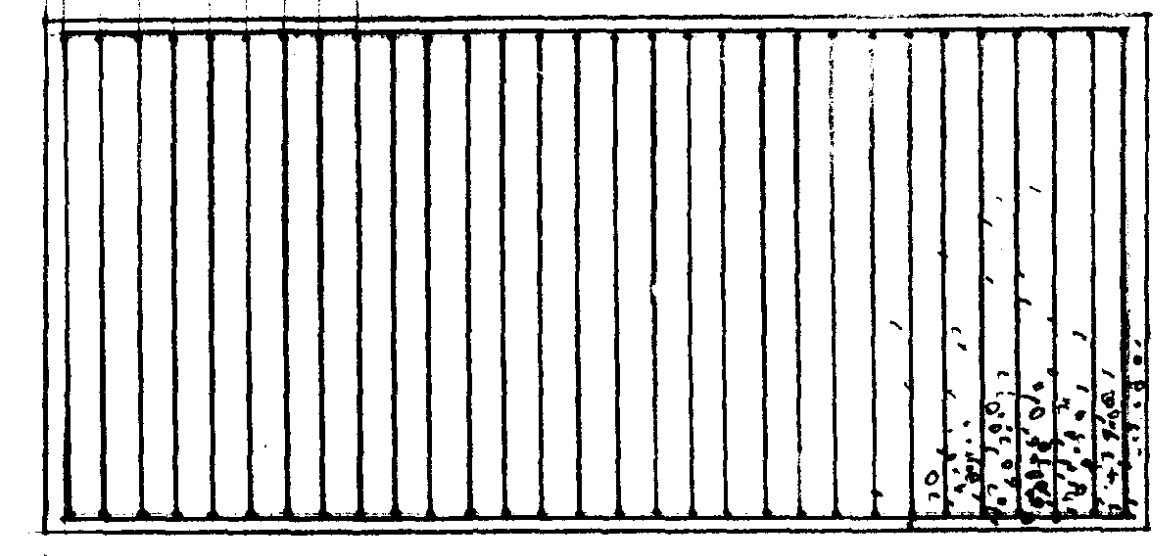
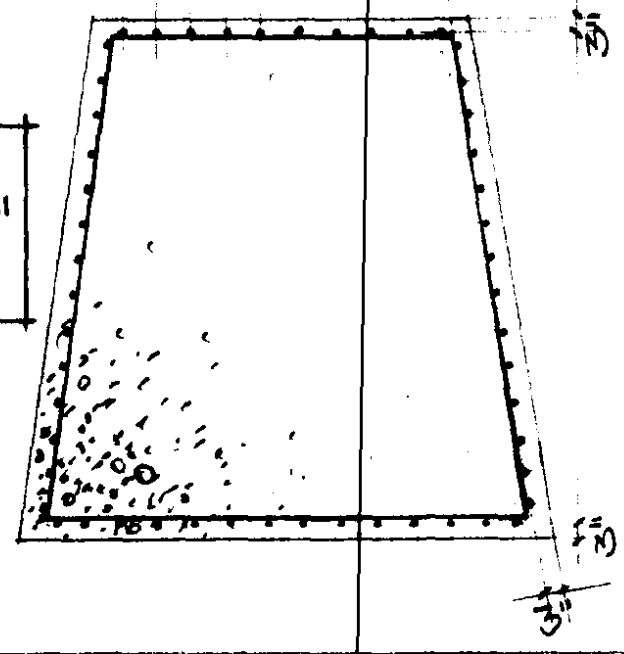
TOUR DE 71'-0"



6" GRAVIER
 BARRES LONGITUDINALES
 #5 A 6' 1/2"

NERVURES VERTICALES
 #5 A 6' 1/2"

ACIER:
 BARRES LONGITUDINALES: 104 BARRES #5. LONG: 14'-6"
 NERVURES VERTICALES: 60 BARRES #5. DEVELOPT: 25'-0"
 BETON: 47 v.c.



REF A-6