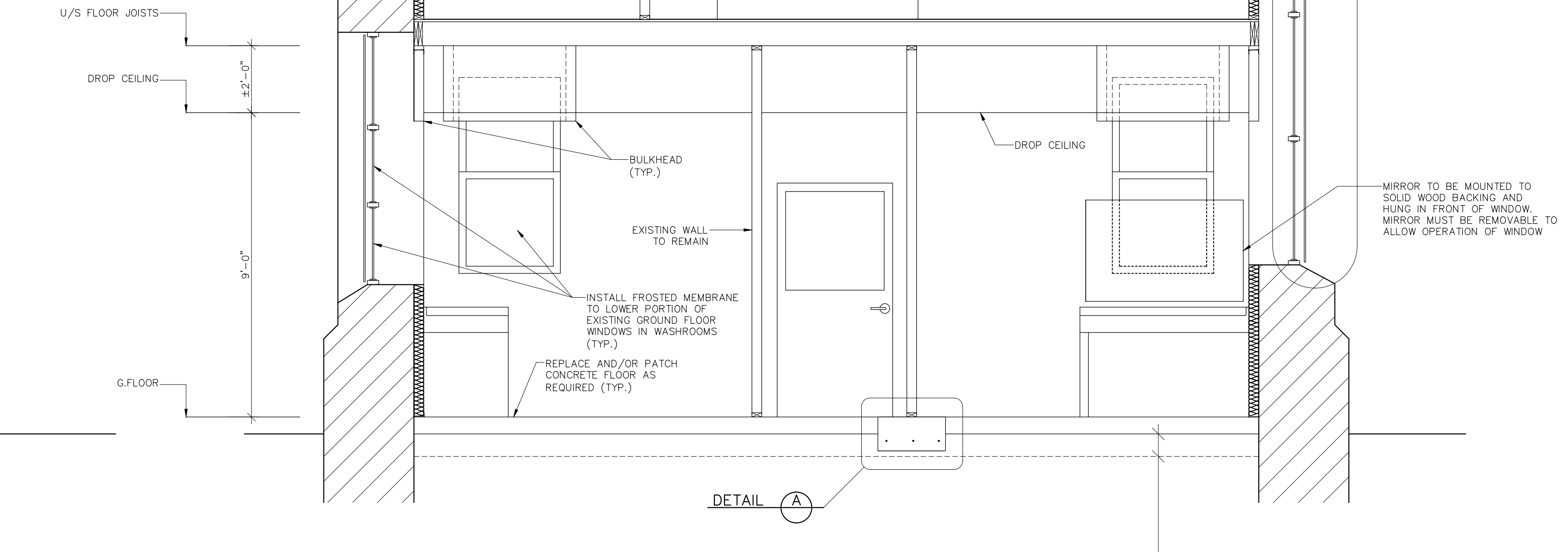
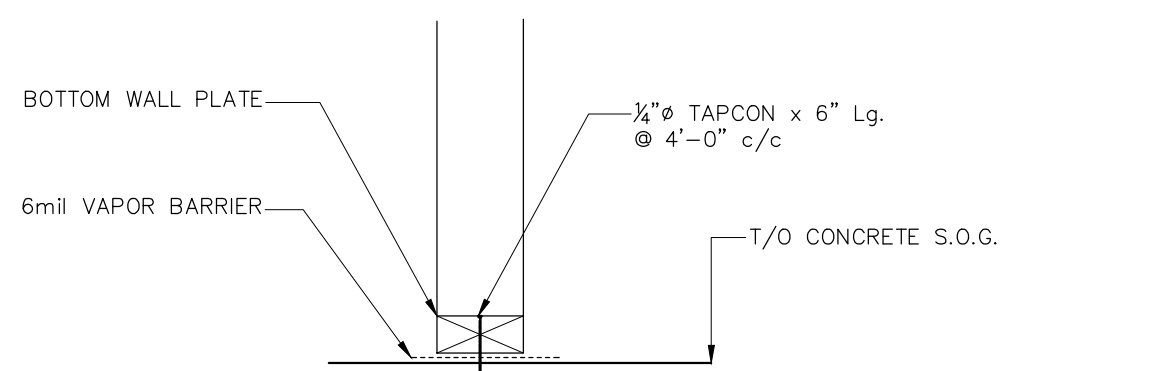


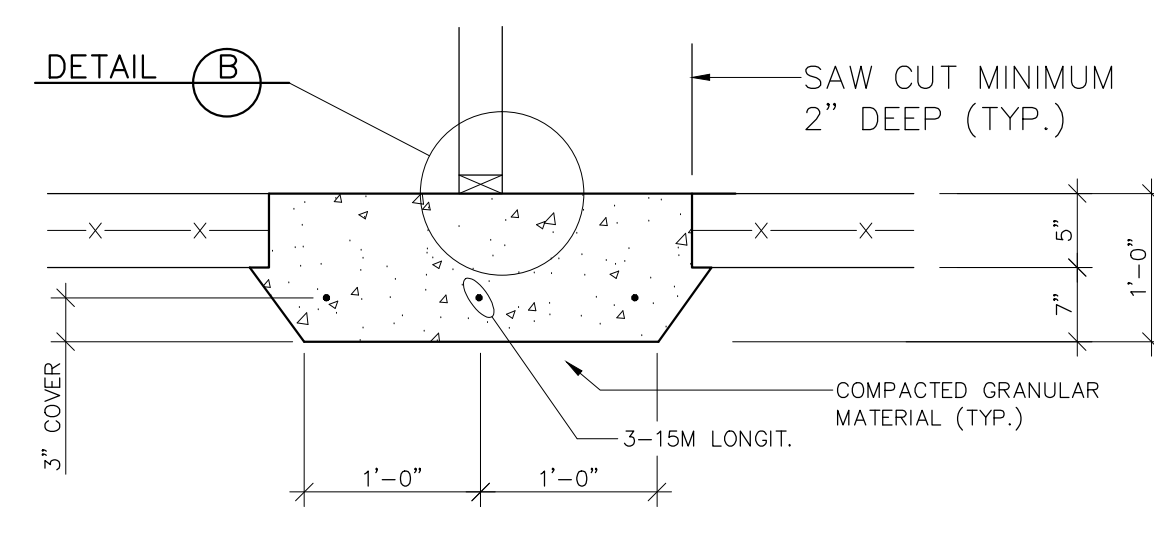
SECTION 1
A2



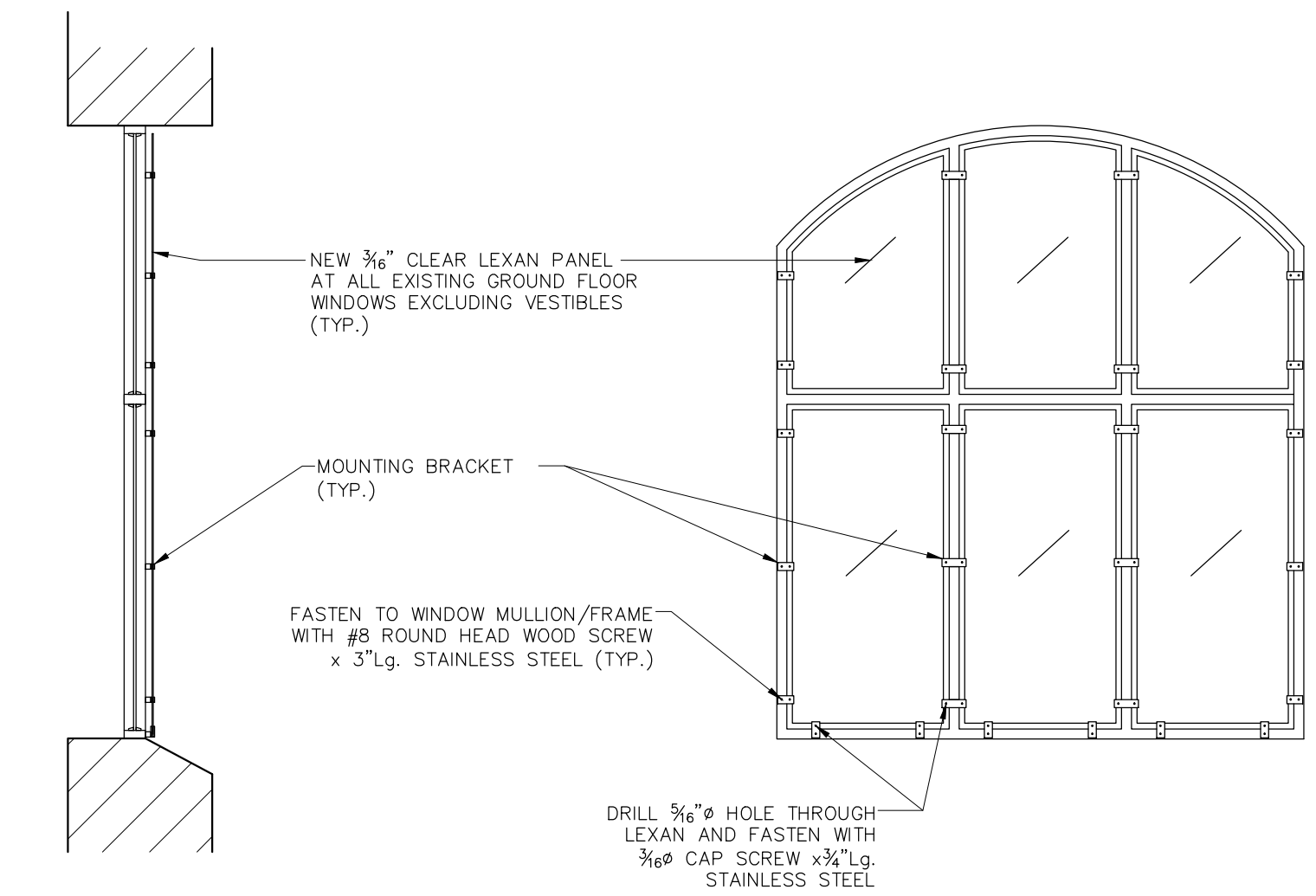
SECTION 2
A2



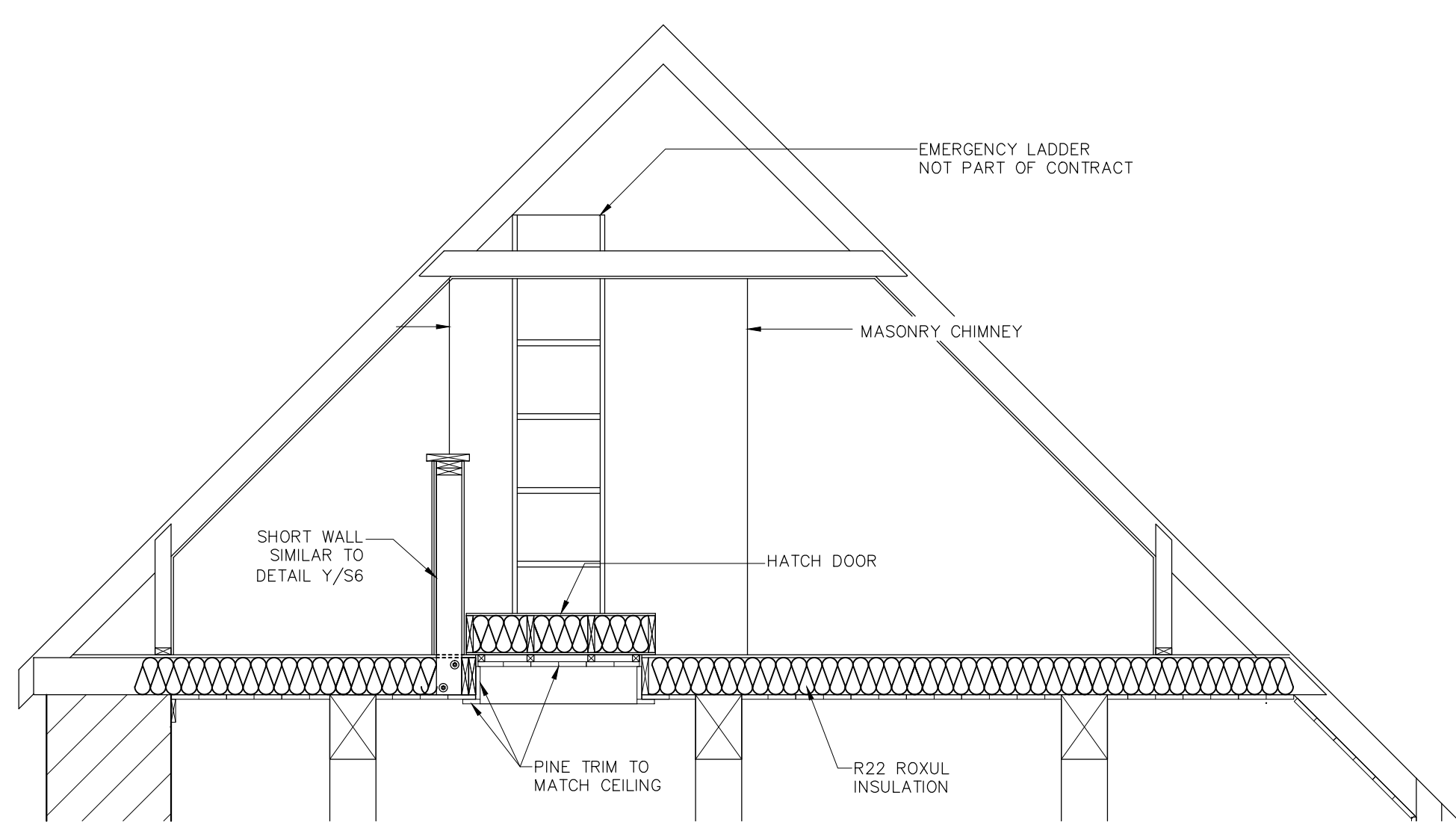
DETAIL B



DETAIL A



DETAIL D



SECTION 3
A3

no.	date	description
1	06.02.14	REVISED FOR TENDER
	13.01.14	ISSUED FOR TENDER
	06.01.14	ISSUED FOR 90% REVIEW
	18.12.13	ISSUED FOR REVIEW

no.	date	description
revisions		
Client Acceptance / Acceptation du client		
Signature	Date	
File No. / No. de dossier		



ONTARIO WATERWAYS FIELD UNIT - RIDEAU CANAL NHS
Canada

Type of Record /
Type d'enregistrement
TYPE

Project title / Titre du projet
**RIDEAU CANAL NHS
OTTAWA LOCK CONTROL
BUILDING RENOVATION**

Drawing title / Titre du dessin
**BUILDING SECTIONS
AND DETAILS**

Drawn by/ Dessine par	Date
W.J.L.	10.12.13
Field Recording by / Releve-Termin par	Date
Approved by / Approuve par	Date

Checked by/ Verifie par

Project No./ No. du projet	Asset No.	Sheet No./ Feuille No.
	00102	A7