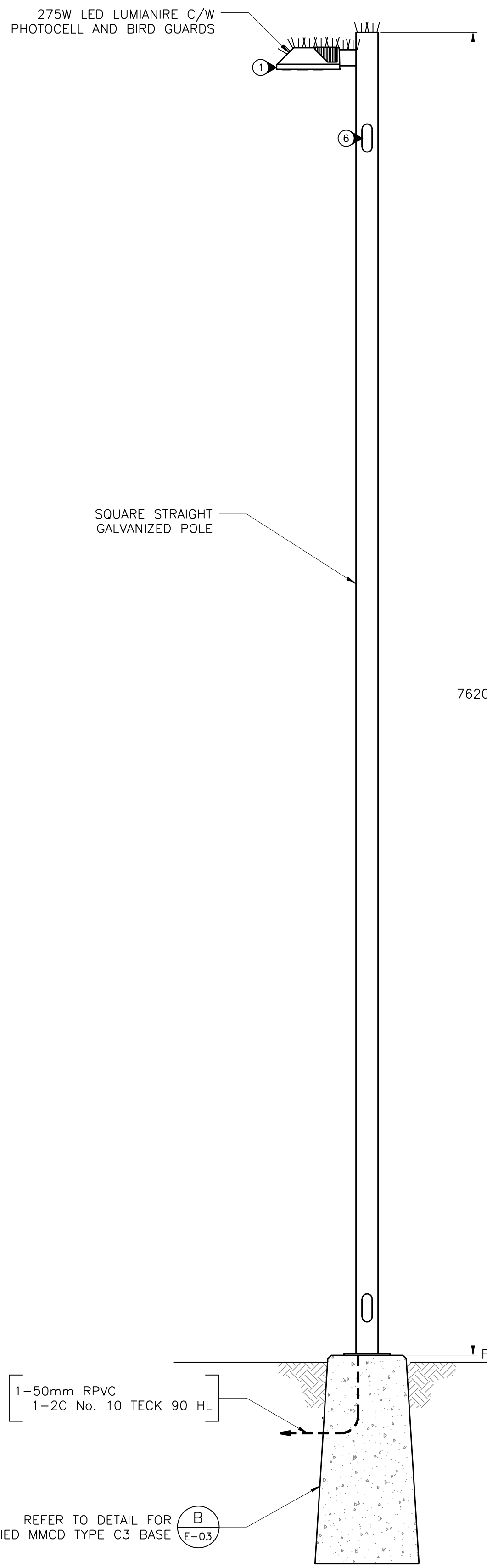


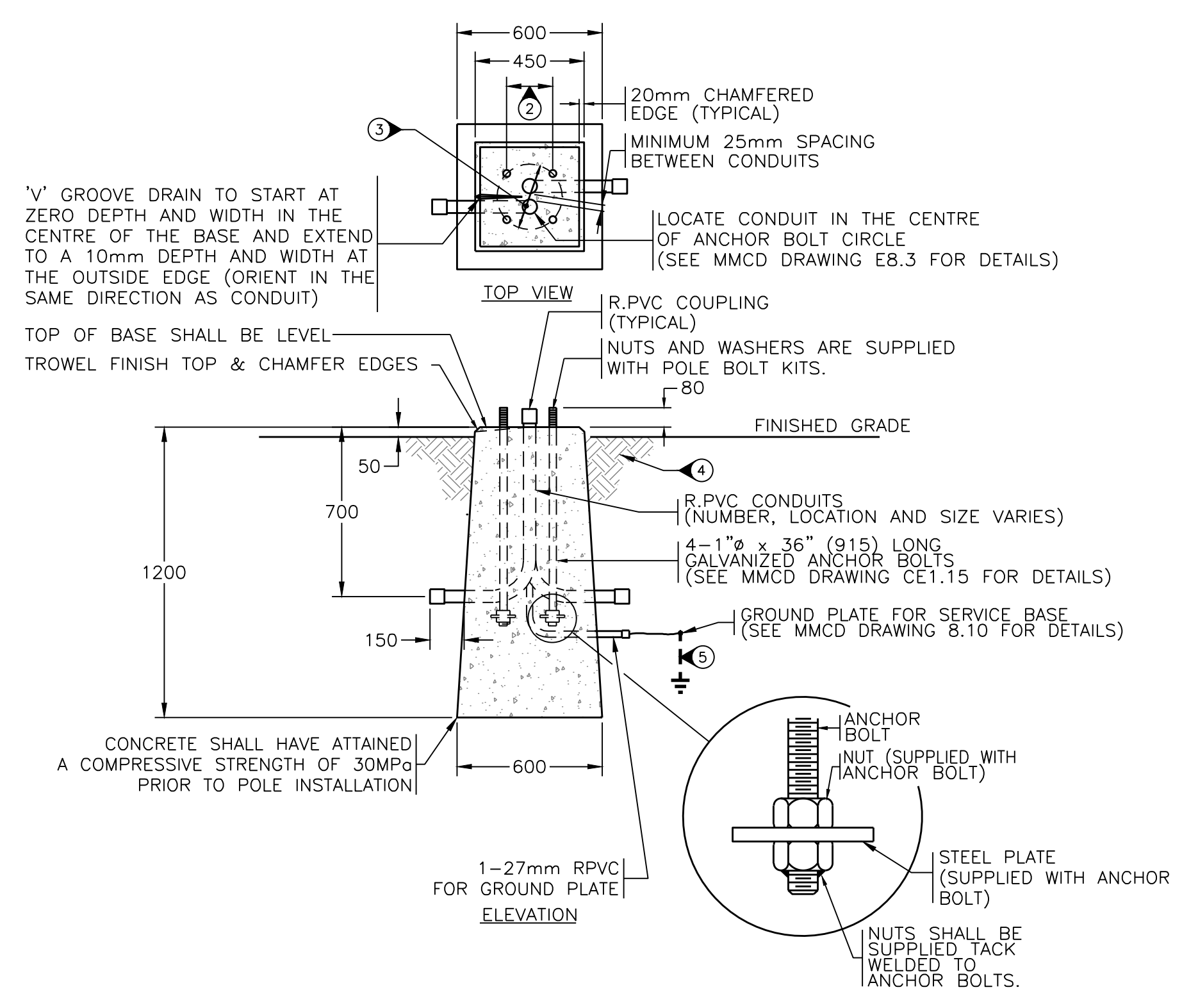
Path:\Itename: V:\Projects\2012\121-24918-01 FCC Operations Building Bomfield - Construction Admin Services\DWG\Elect\Production\121-24918-01-ELEC.dwg
 Size: UserDefinedMetric (914.00 x 1500.00MM)
 Plotted by: Gagon, Stephanie
 Plotted: 9/17/2013 3:33 PM



A ELEVATION: 275W LED-7M LUMINAIRE POLE
SCALE 1:20

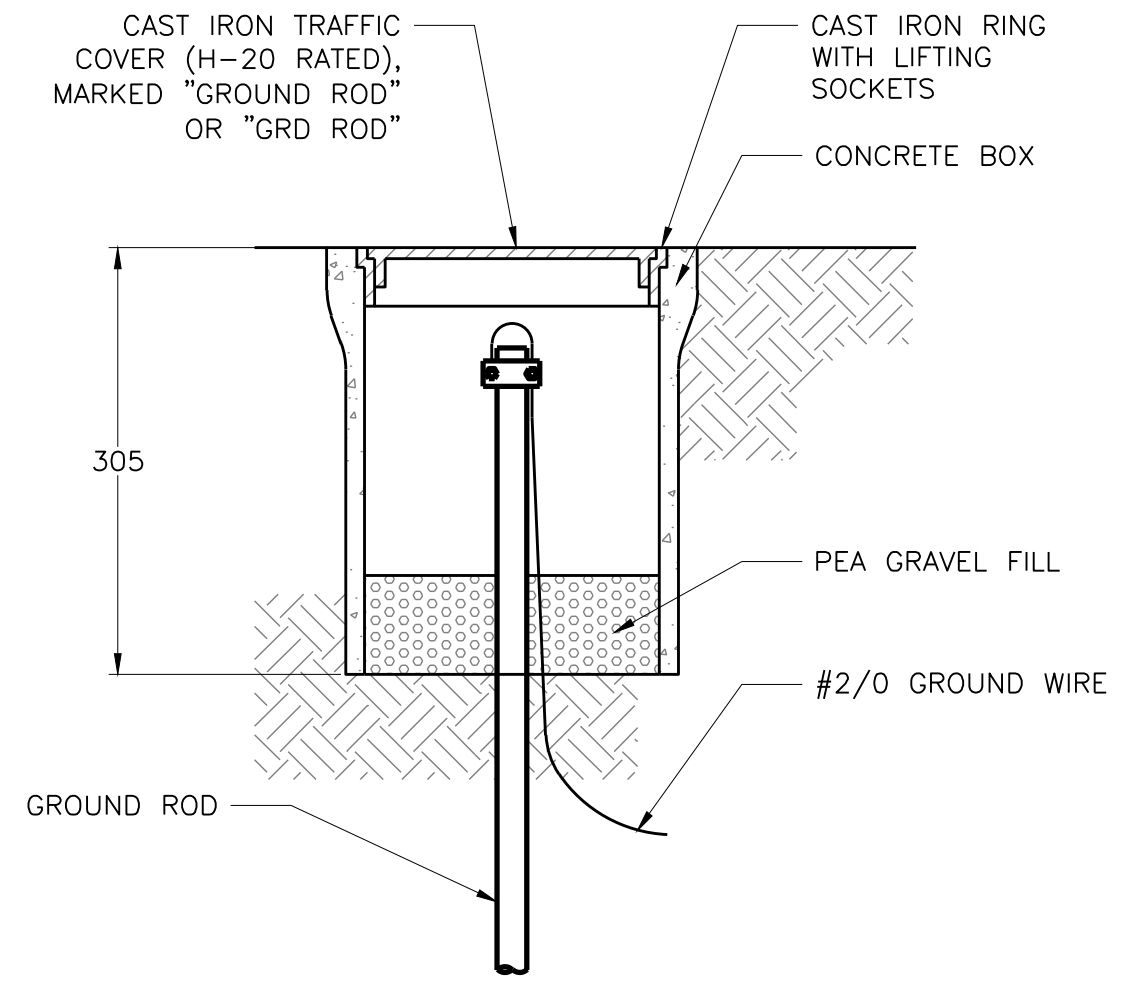
KEYNOTES:

- ① DUE TO HAZARDOUS AREA CLASSIFICATION NO CONNECTIONS TO BE MADE WITHIN 1m OF GRADE, ALL CONNECTIONS TO BE MADE AT UPPER HAND HOLE.
- ② BOLT SQUARE IN ACCORDANCE WITH POLE MANUFACTURERS SPECIFICATIONS.
- ③ BOLT CIRCLE DIAMETER IN ACCORDANCE WITH POLE MANUFACTURERS SPECIFICATIONS.
- ④ COMPACTED GRANULAR FILL COMPACTED IN MAXIMUM 300mm LIFTS TO AT LEAST 97% STANDARD PROCTOR MAXIMUM DENSITY.
- ⑤ CONNECT TO SYSTEM GROUND.
- ⑥ TECK CABLE TO BE SUPPORTED AT CONNECTION POINT.

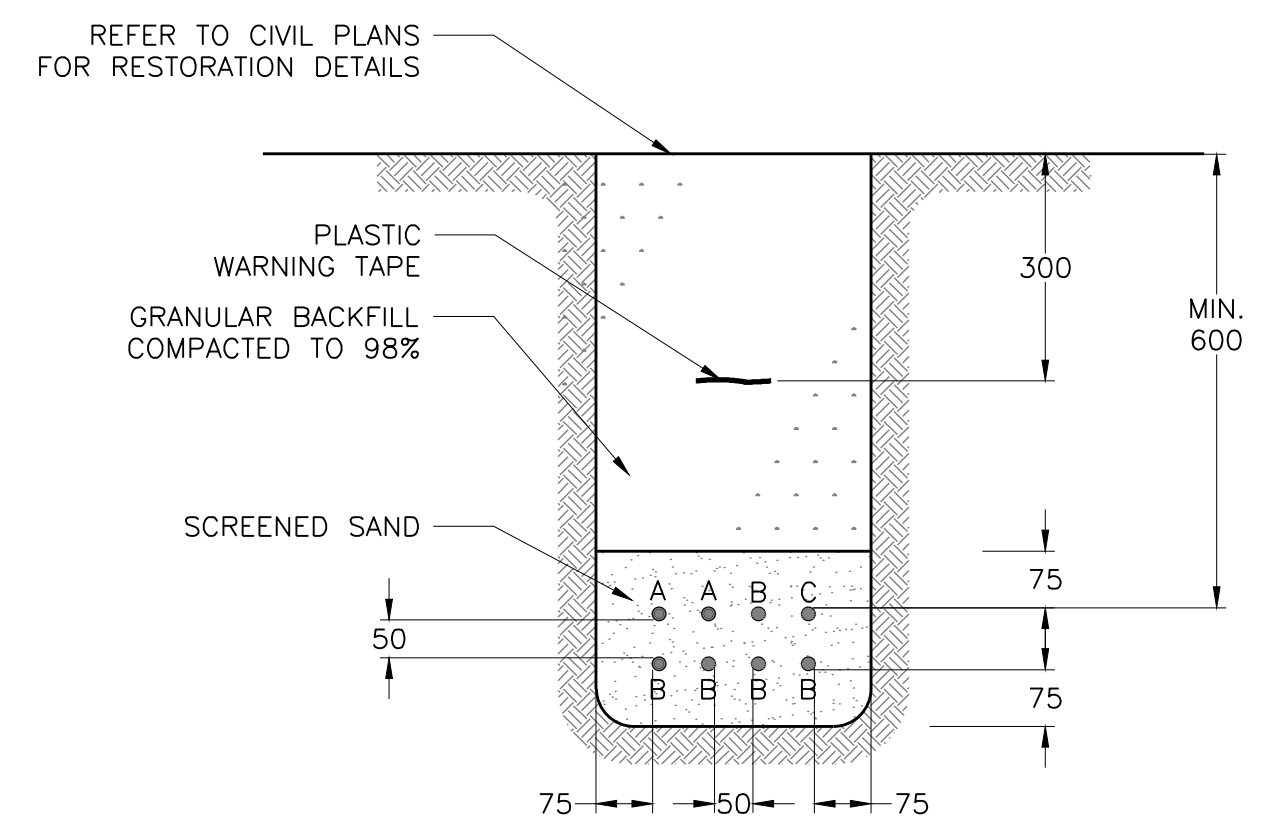


B ELEVATION: MODIFIED MMCD TYPE C3 LUMINAIRE POLE BASE
SCALE 1:20

CONTRACTOR IS RESPONSIBLE FOR CONFIRMING ANCHOR BOLT REQUIREMENTS WITH LUMINAIRE POLE MANUFACTURER

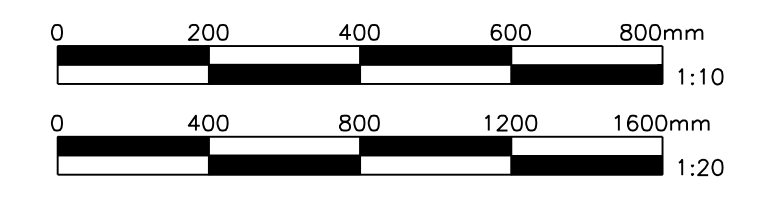


C GROUNDING ROD DETAIL
E-01 N.T.S.



- CONDUIT SCHEDULE
- ① 1x3c No. 12 TECK 90 HL CABLE (POWER)
 - ② 1x2C No. 12 TECK 90 HL CABLE (POWER)
 - ③ 1x3C No. 10 TECK 90 HL CABLE (POWER)

D TYPICAL TRENCH SECTION
SCALE 1:10



F5211-130409

FISHERIES AND OCEANS CANADA
REAL PROPERTY AND SAFETY AND SECURITY

BAMFIELD LIFEBOAT STATION

LIGHTING DETAILS
AND TRENCH SECTION

SCALE	AS NOTED
START DATE	7/31/2013
DRAWING NUMBER	E-03



SUITE 400, 401 GARBALLY ROAD
VICTORIA (BRITISH COLUMBIA)
CANADA V8T 5M3
PHONE: 250-384-5510 FAX: 250-386-2844
WWW.GENIVAR.COM

NO.	DATE	REVISIONS
3	2014/02/07	RE-ISSUED FOR CONSTRUCTION
2	2013/10/08	ISSUED FOR CONSTRUCTION
1	2013/09/17	ISSUED FOR CLIENT REVIEW

DESIGNED	JM
DRAWN	SG/PP
CHECKED	
RECOMMENDED	
APPROVED	

DWG. NO.	DRAWING REFERENCES	NOTES