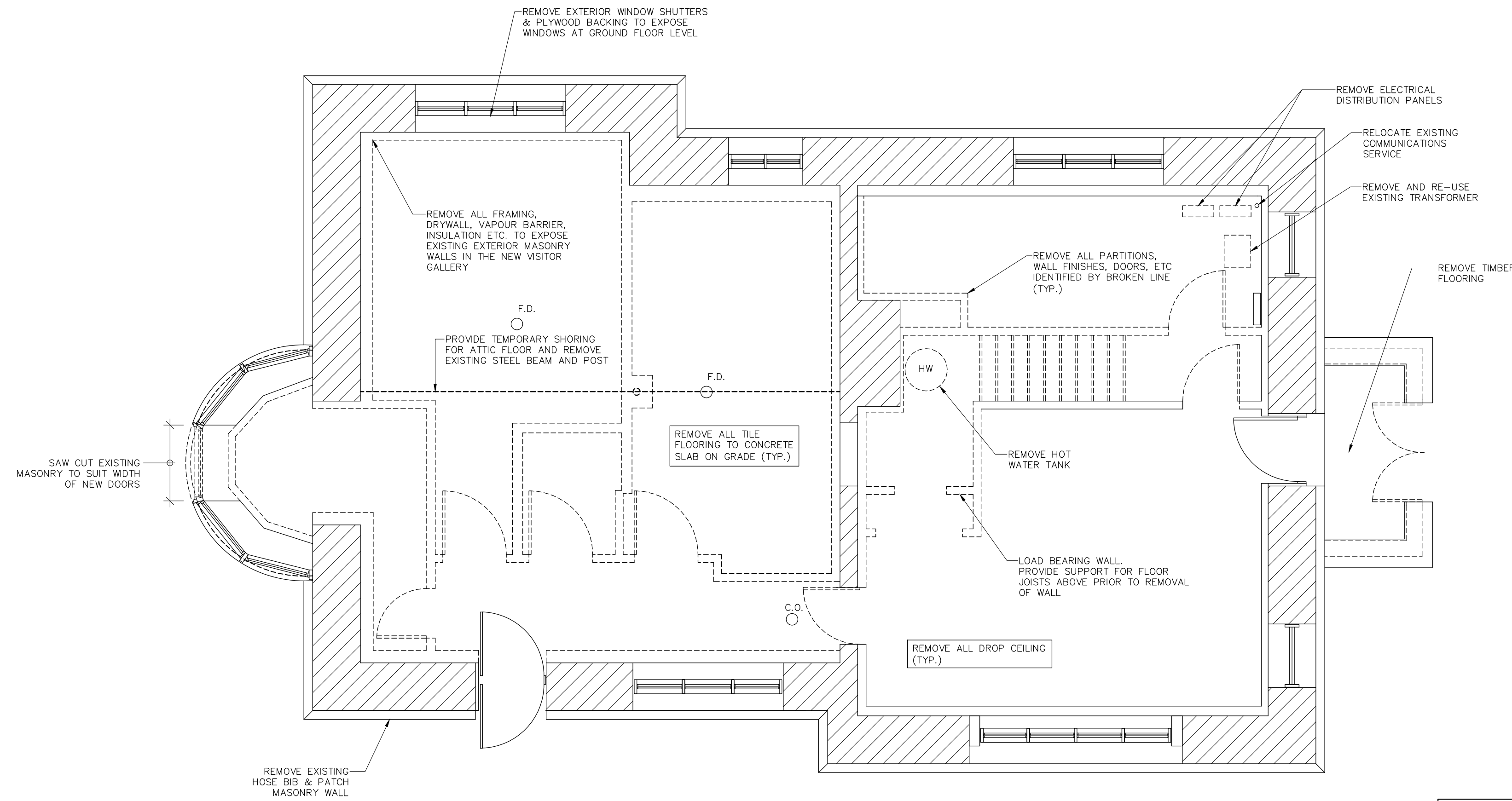
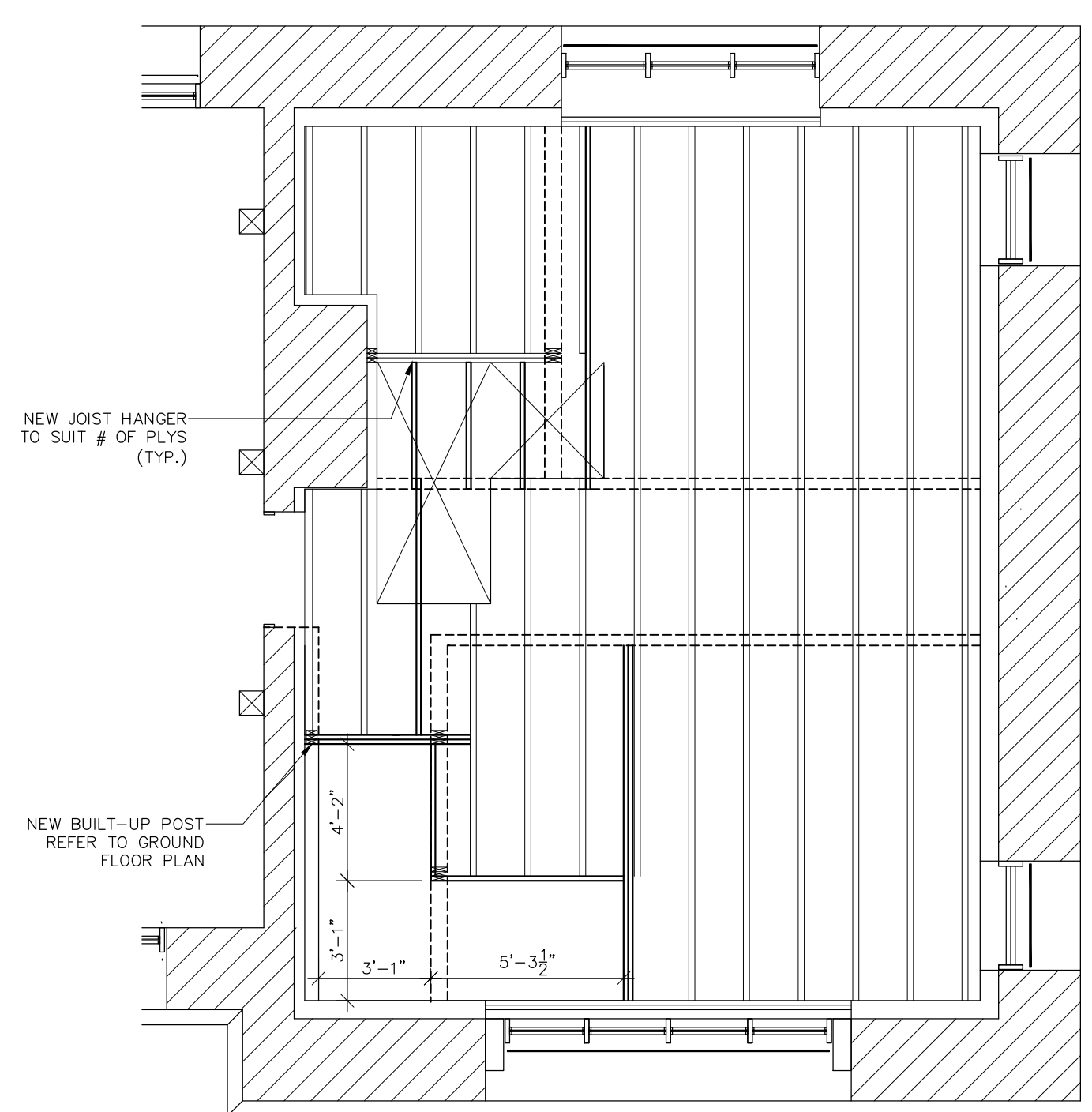


FOR GENERAL NOTES
REFER TO DRWG S1

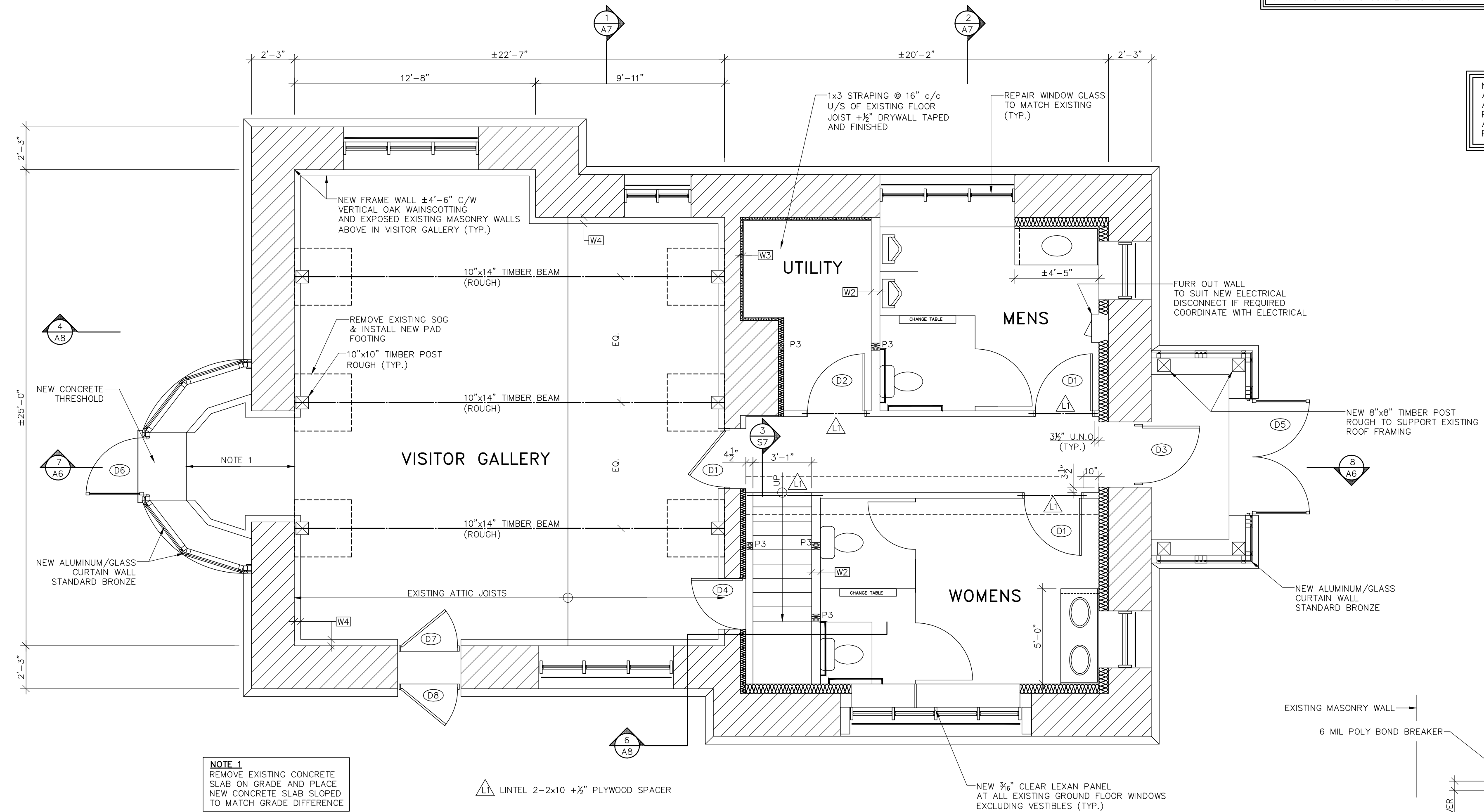


GROUND FLOOR PLAN - DEMOLITION

IMPORTANT NOTE
FASTENING ITEMS TO EXISTING MASONRY WALL IS EXPLICITLY FORBIDDEN UNLESS APPROVED BY DEPARTMENTAL REPRESENTATIVE IN WRITING PRIOR TO COMMENCING WORK



PARTIAL SECOND FLOOR - FRAMING PLAN

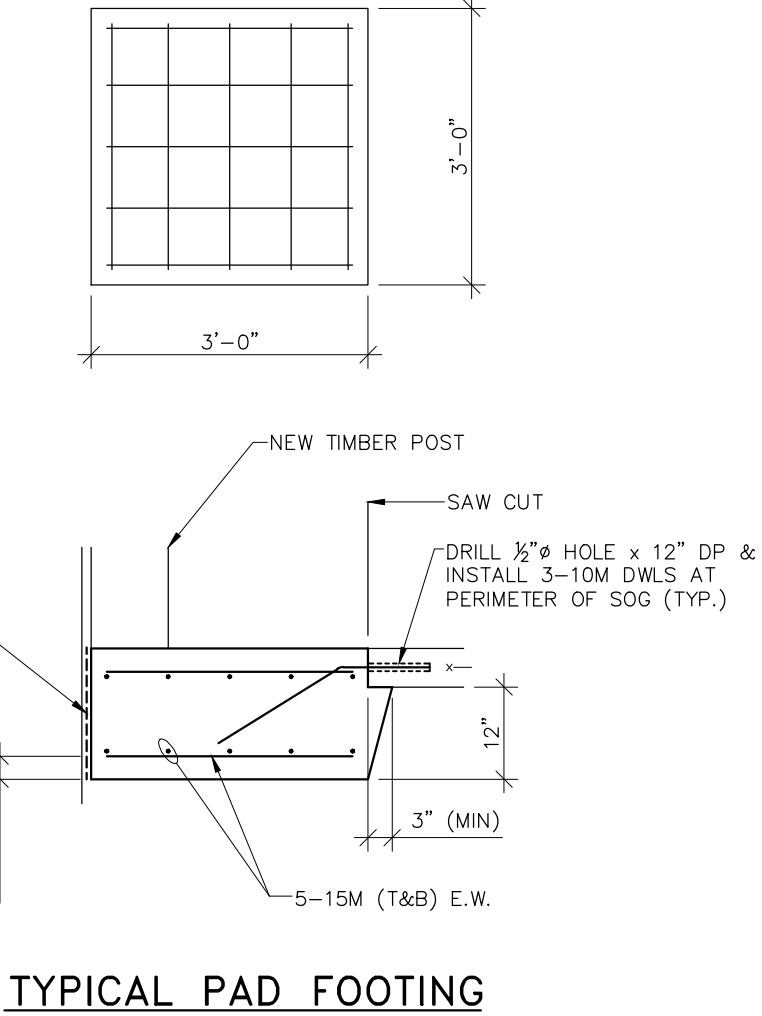


GROUND FLOOR PLAN - NEW CONSTRUCTION

NOTE:
ALL D.FIR TIMBER IN VISITOR GALLERY AND IN REAR VESTIBULE IS TO BE PROVIDED BY PARKS CANADA. ALL LABOUR TO FIT AND INSTALL IS THE RESPONSIBILITY OF THE CONTRACTOR

WALL SCHEDULE [W#]	
MARK	DESCRIPTION
W1	-1/2" DRYWALL -2x4 STUDS @ 16" c/c -3 1/2" ROXUL SOUND INSULATION -1/2" PLYWOOD SHEATHING* -6mil VAPOUR BARRIER (EXTERIOR) -1/2" DRYWALL (MOULD RESISTANT)
W2	-1/2" DRYWALL -2x6 STUDS @ 16" c/c -5 1/2" ROXUL SOUND INS. -1/2" PLYWOOD SHEATHING* -6mil VAPOUR BARRIER (EXTERIOR) -1/2" DRYWALL (MOULD RESISTANT)
W3	-2x4 STUDS @ 19 1/2" c/c -FASTENED TO MASONRY WALL -1 1/2" RIGID INSULATION -6mil VAPOUR BARRIER (EXTERIOR) -1/2" DRYWALL (MOULD RESISTANT)
W4	-MOISTURE BARRIER -2x4 STUDS @ 16" c/c -3 1/2" ROXUL SOUND INSULATION -6mil VAPOUR BARRIER (EXTERIOR) -1/2" PLYWOOD SHEATHING -MAPLE WAINSCOTTING
	*1/2" PLYWOOD BE INSTALLED AT INTERIOR OF WASHROOMS AND UTILITY ROOM

DOOR SCHEDULE [D#]			DESCRIPTION
MARK	SIZE	QTY.	LOCATION
D1	3'-0" x 6'-8"	2	WASHROOM ENTRANCE VISITOR GALLERY
D2	3'-0" x 6'-8"	1	UTILITY ROOM ENTRANCE
D3	3'-0" x 6'-8"	1	REAR VESTIBULE
D4	3'-0" x 3'-3"	1	STORAGE
D5	3'-0" x 7'-0"	2	NORTH VESTIBULE
D6	3'-0" x 7'-0"	1	SOUTH VESTIBULE
D7	3'-10"x6'-8"	1	EAST GALLERY
D8	3'-10"x6'-8"	1	EAST GALLERY



TYPICAL PAD FOOTING

no.	date	description
1	06.02.14	REVISED FOR TENDER
	13.01.14	ISSUED FOR TENDER
	06.01.14	ISSUED FOR 90% REVIEW
	18.12.13	ISSUED FOR REVIEW

Client Acceptance / Acceptation du client
Signature _____ Date _____
File No. / No. de dossier _____



ONTARIO WATERWAYS FIELD UNIT - RIDEAU CANAL NHS
Canada

Type of Record / Type d'enregistrement
TYPE
Project title / Titre du projet

RIDEAU CANAL NHS
OTTAWA LOCK CONTROL
BUILDING RENOVATION

Drawing title / Titre du dessin
GROUND FLOOR PLAN
DEMOLITION
NEW CONSTRUCTION
PARTIAL SECOND FLOOR

Scale / Echelle
SCALE
Drawn by / Dessiné par
W.J.L.
Date
10.12.13

Field Recording by / Relevé-Terminé par
Date

Approved by / Approuvé par
Date

Checked by / Vérifié par
Project No./ No. du projet
Asset No.
00102
Sheet No./
Feuille No.
A2