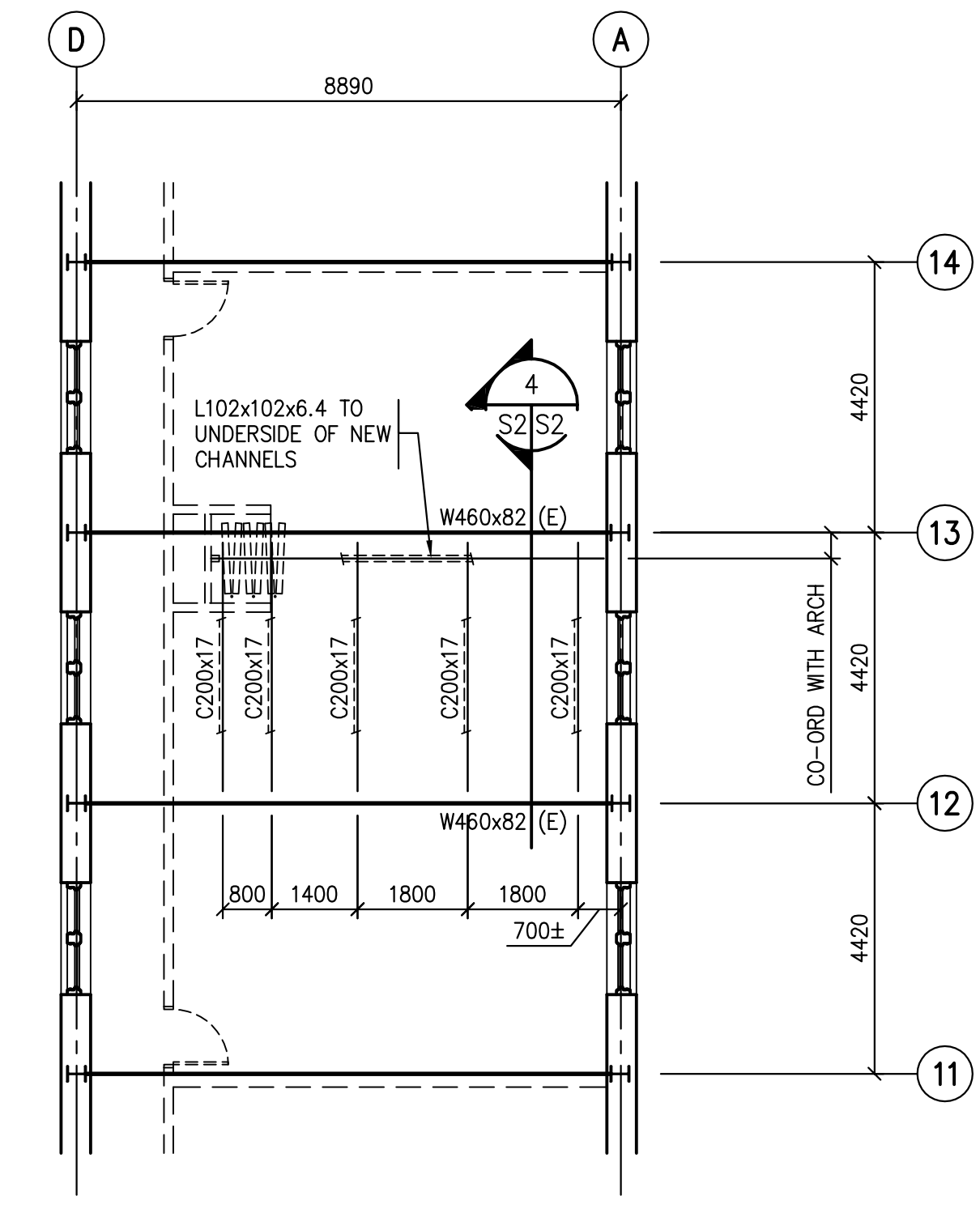
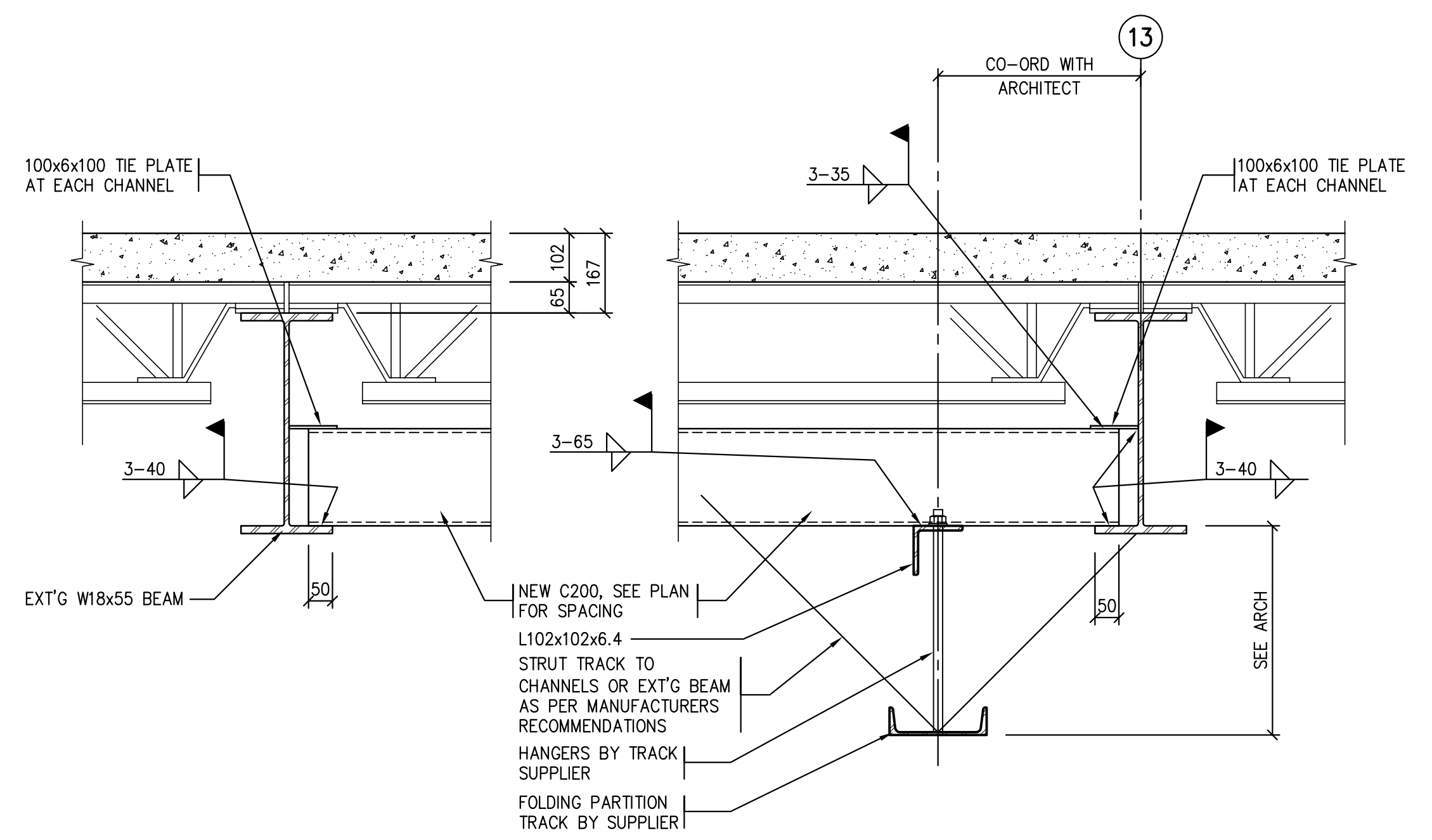


1 SECTION THRU ELEVATOR SHAFT
1:15

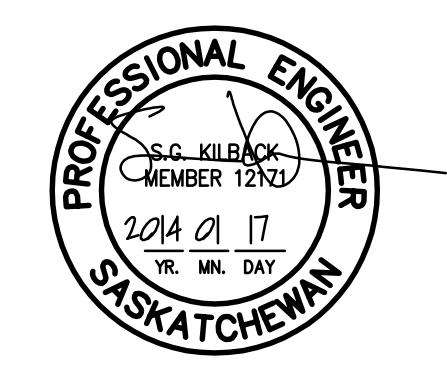
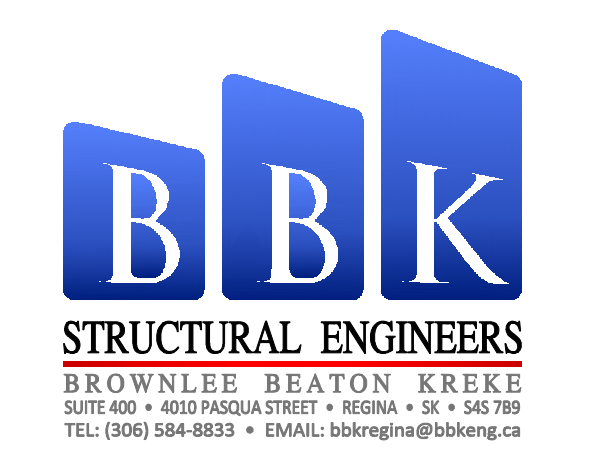
2 SECTION
1:15



3 PLAN - FOLDING PARTITION SUPPORT
TYPICAL AT THIRD AND FOURTH FLOORS
1:100



4 FOLDING PARTITION SUPPORT DETAIL
1:10



Association of Professional Engineers & Geoscientists
of Saskatchewan
CERTIFICATE OF AUTHORIZATION
BROWNLEE BEATON KREKE (REGINA) LTD.
NUMBER 525
DISCIPLINE STRUCTURAL [177] SIGNATURE SKK

Revision/Revisions	Description/Description	Date/Date
0	ISSUED FOR TENDER	2014-01-17

Client/client

Project title/Titre du projet
REGINA, SK

SHARED LEARNING FACILITY

Approved by/Approuve par

Designed by/Concept par
SK

Drawn by/Dessine par
CS / DL

Project Manager/Administrateur de Projets
AC

Architectural and Engineering Resources Manager/
Ressources Architectural et de Directeur d'ingénierie

Client/client

Drawing title/Titre du dessin
ELEVATOR SECTIONS

**FOLDING PARTITION SUPPORT
PLAN AND DETAIL**

Project No./No. du projet	Sheet/Feuille	Revision no./ La Révision no.
05-2013	S2	0

