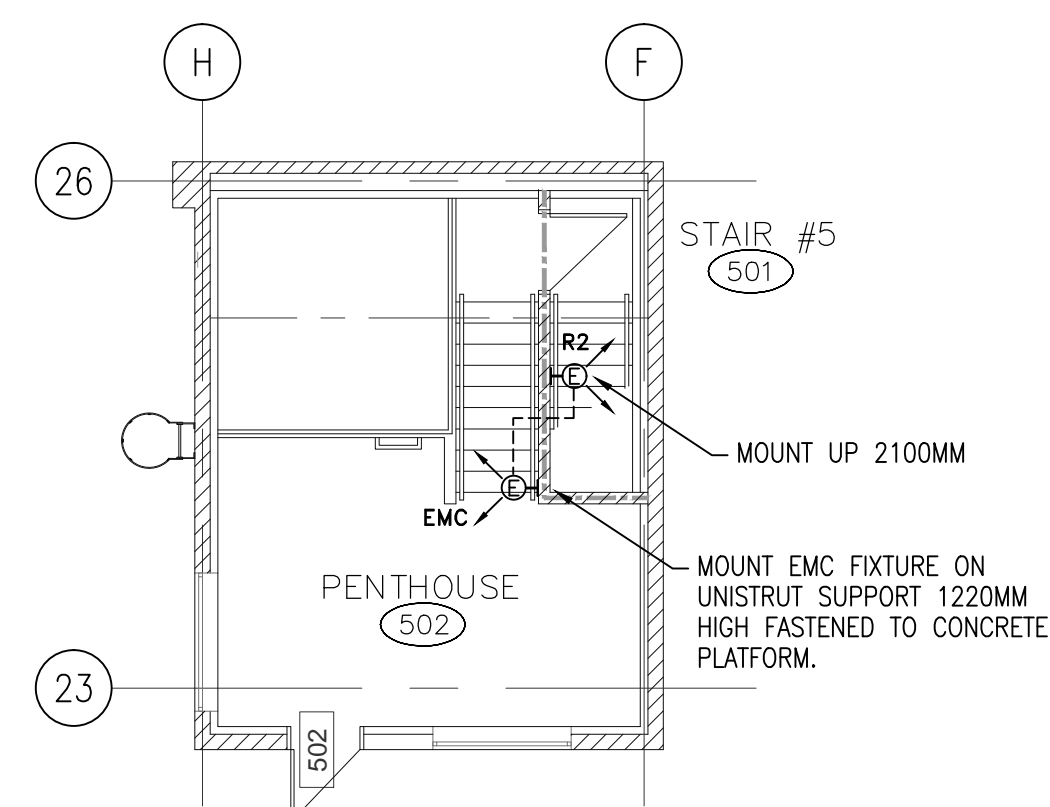
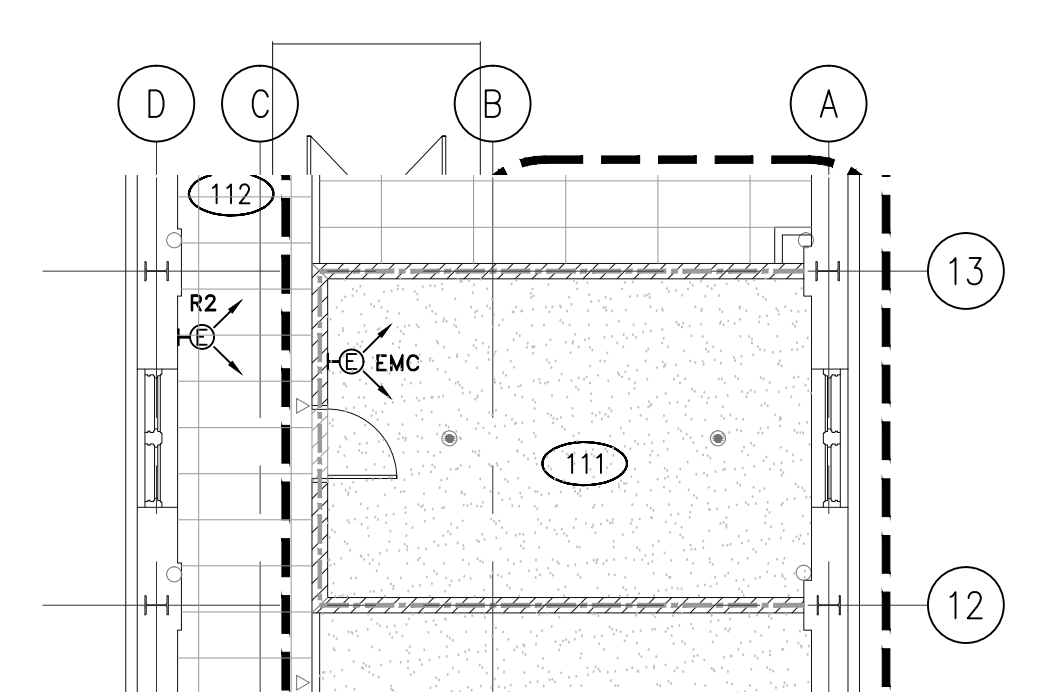


- GENERAL NOTES:**
- EMERGENCY LIGHTING FOR STAIRWELLS SHALL BE FED FROM LOCAL BATTERY PACKS. CONNECT TO EXISTING STAIRWELL LIGHTING CIRCUIT.
  - COORDINATE MOUNTING OF EXIT SIGNS WITH BULKHEADS AND ADJUST MOUNTING HEIGHT TO KEEP EXIT SIGNS AS HIGH AS POSSIBLE.
  - COORDINATE MOUNTING OF EMERGENCY BATTERY UNIT WITH MECHANICAL DUCTS TO MAINTAIN ILLUMINATION FOR PATH OF EGRESS. MOUNT AS HIGH AS POSSIBLE UNDER BULKHEADS AND BEAMS.
  - IN ROOMS WHERE NO CIRCUIT NUMBERS ARE SHOWN THE CONTRACTOR SHALL USE EXISTING BRANCH CIRCUITS FED FROM NEW PANELS. REFER TO PANEL SCHEMATICS FOR EXISTING BRANCH CIRCUITS.

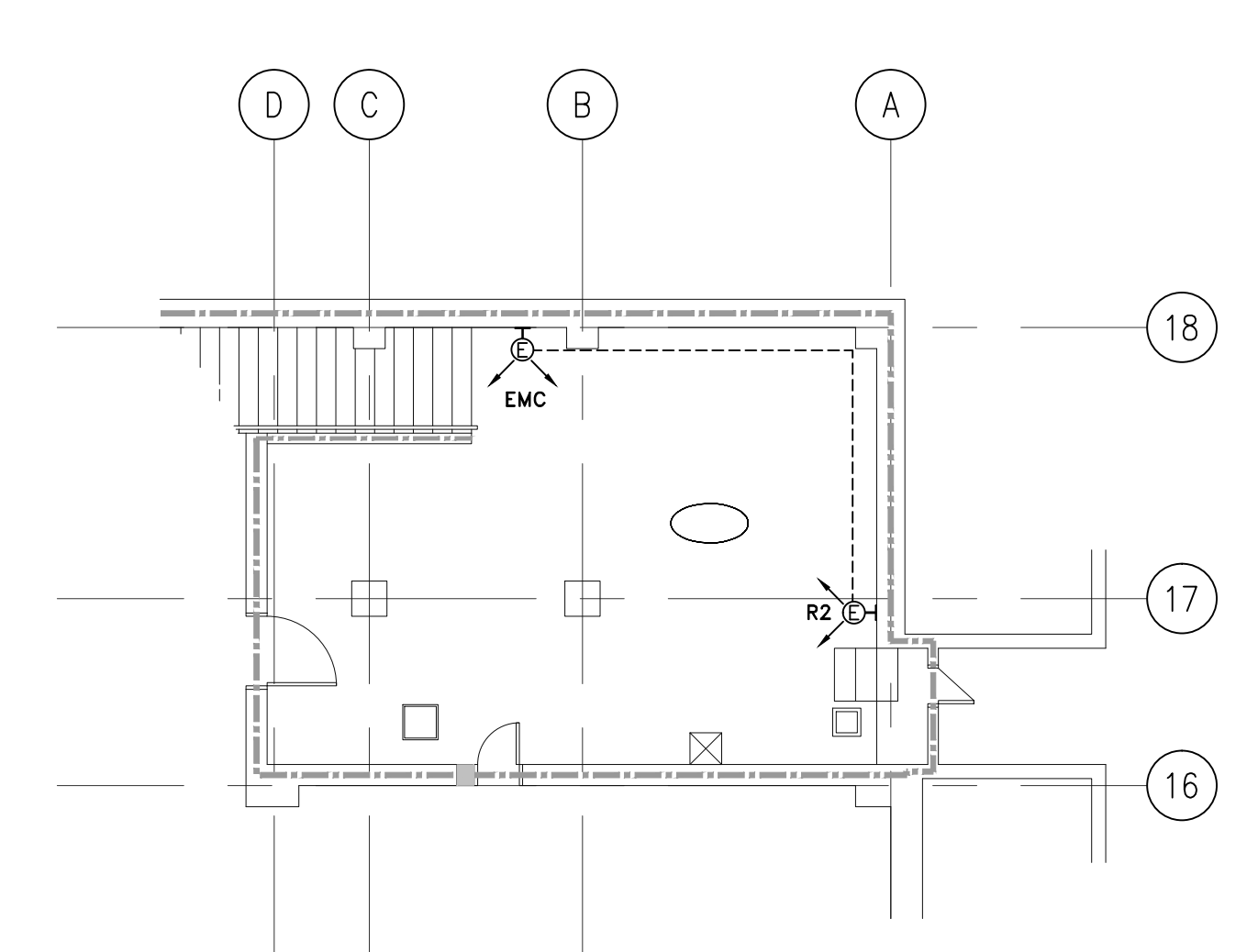
- DRAWING NOTES:**
- PROVIDE NEW SWITCH FOR AREA LIGHTING AND RE-WORK EXISTING CIRCUITRY TO CONTROL FIXTURES IN THIS ROOM.
  - COORDINATE FINAL MOUNTING WITH MECHANICAL DUCTWORK AND EQUIPMENT.



2 PENTHOUSE  
E2.2 1:100



3 ELECTRICAL ROOM  
E2.2 1:100



1 BASEMENT MECHANICAL ROOM  
E2.2 1:100



ASSOCIATION OF PROFESSIONAL ENGINEERS  
OF SASKATCHEWAN  
CERTIFICATE OF AUTHORIZATION  
RITENBURG & ASSOCIATES LTD.  
NUMBER 52  
PERMISSION TO CONSULT HELD BY:  
DISCIPLINE: ELECTRICAL  
SASK. REG. NO.: 11782

Revision/Revisie	Description/Description	Date/Date
Client/client		

Project title/titre du projet  
**SHARED LEARNING FACILITY**  
REGINA, SK

Approved by/Approve par  
Designed by/Concept par  
**BDK,SBK,GTK**  
Drawn by/Dessine par  
**GTK**  
Project Manager/Administrateur de Projets  
**AC**  
Architectural and Engineering Resources Manager/  
Ressources Architectural et de Directeur d'ingénierie

Drawing title/Titre du dessin  
**FOURTH FLOOR LIGHTING PLAN**

