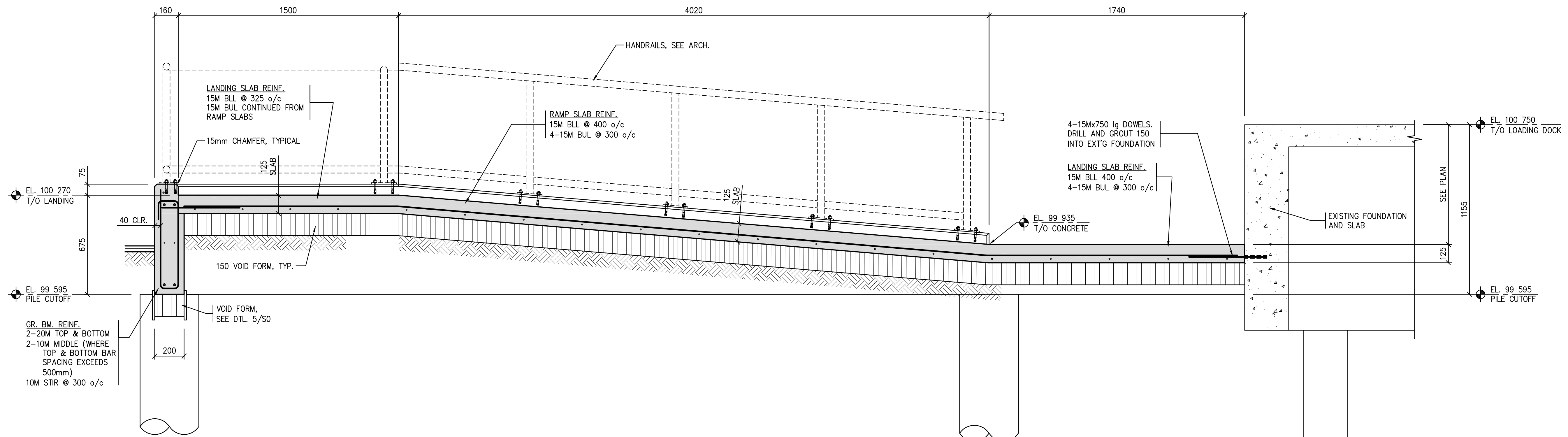
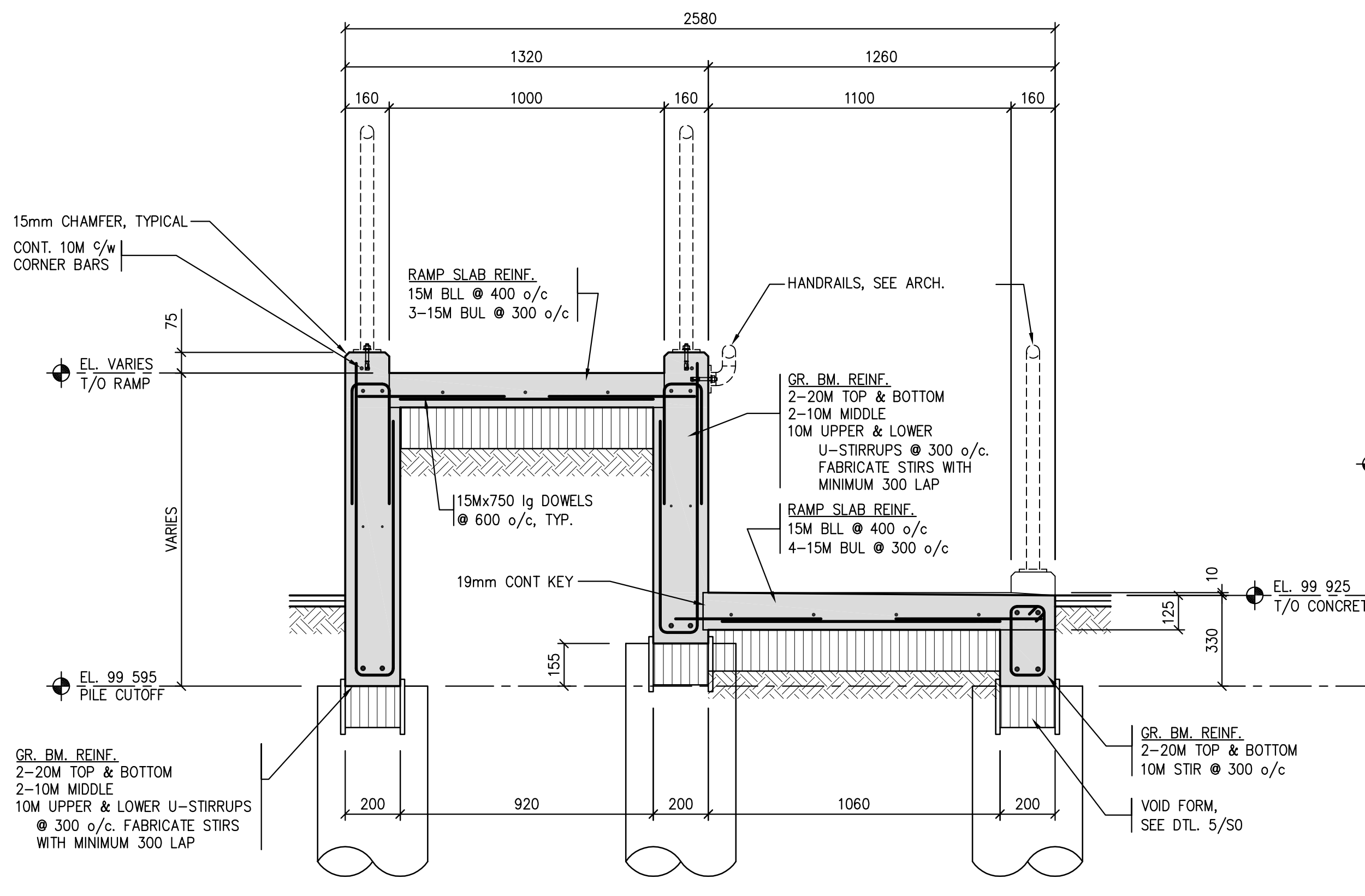


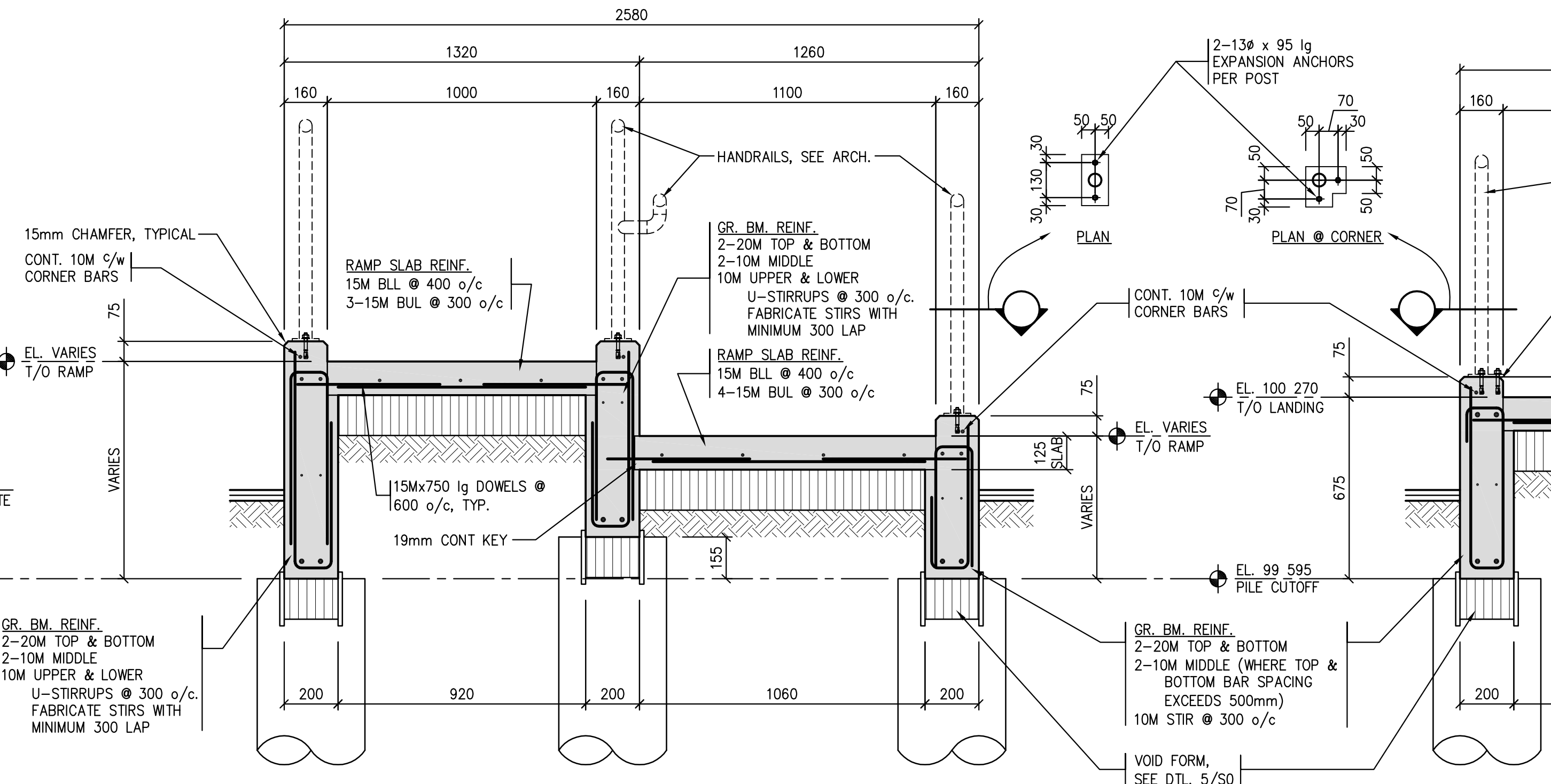
1 SECTION THRU UPPER RAMP
1:15



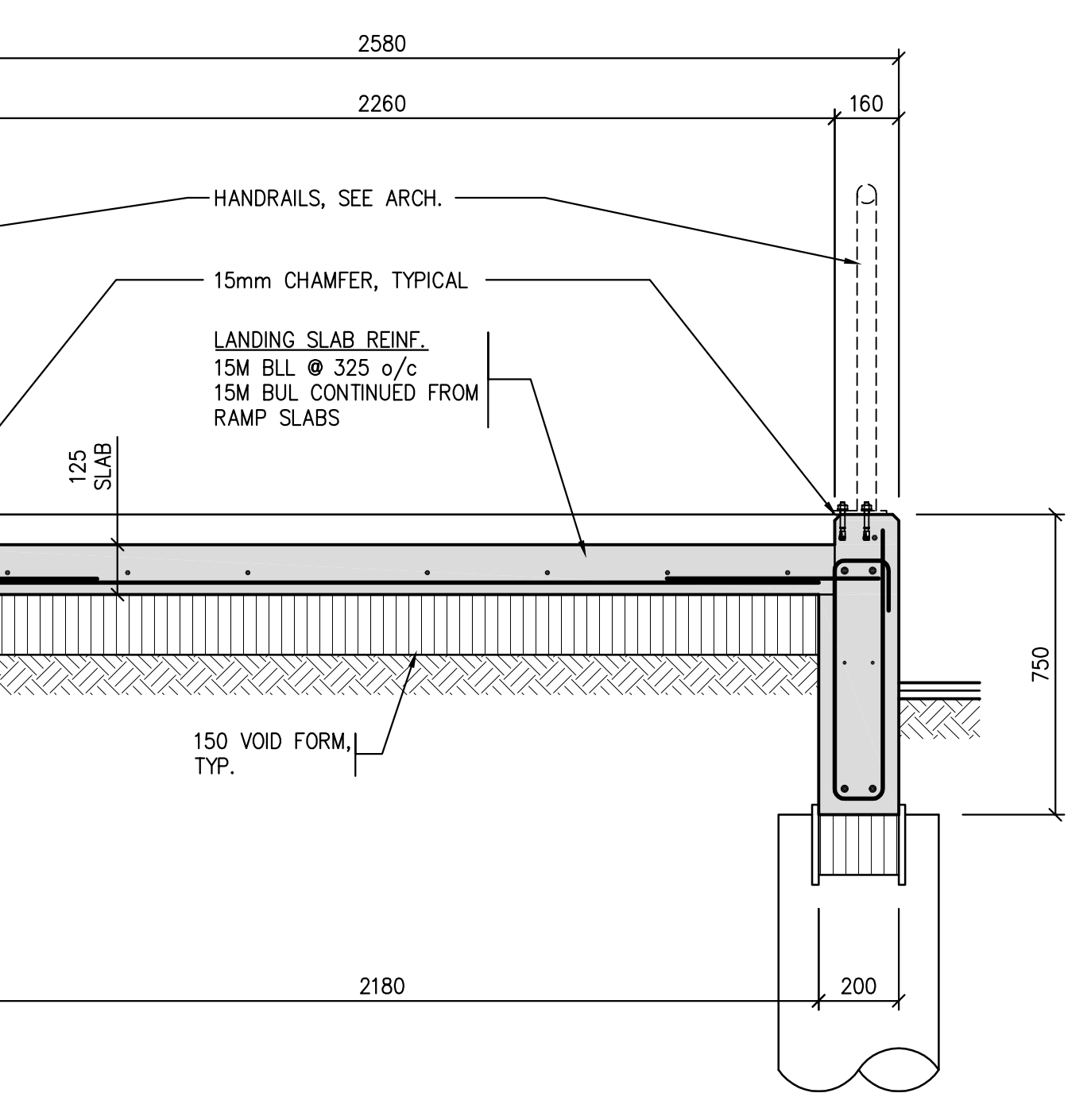
2 SECTION THRU LOWER RAMP
1:15



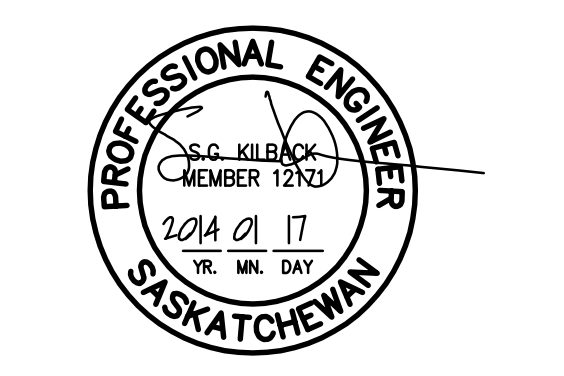
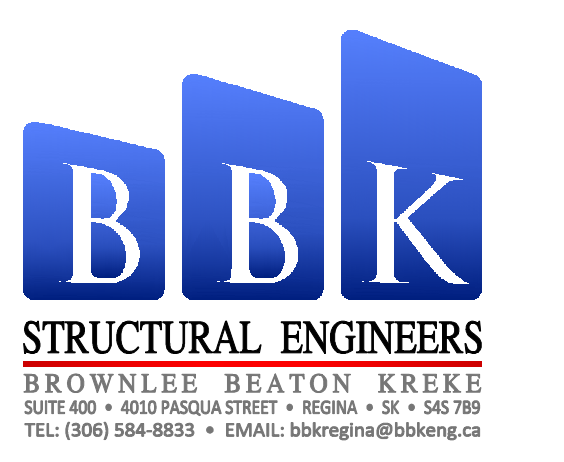
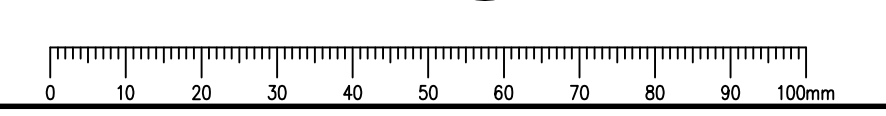
3 SECTION THRU RAMP
1:15



4 SECTION THRU RAMP
1:15



5 SECTION THRU LANDING
1:15



Association of Professional Engineers & Geoscientists of Saskatchewan
CERTIFICATE OF AUTHORIZATION
 BROWNLEE BEATON KREKE (REGINA) LTD.
 NUMBER 525
 PERMISSION TO CONSULT FIED BY: SASK REG. NO. SIGNATURE
 DISCIPLINE STRUCTURAL [17] SEBK

Revision/Revised	Description/Description	Date/Date
0	ISSUED FOR TENDER	2014-01-17

Project title/Titre du projet
REGINA, SK

SHARED LEARNING FACILITY

Approved by/Approuve par
 SK
 Drawn by/Dessine par
 CS/DL
 Project Manager/Administrateur de Projets
 AC
 Architectural and Engineering Resources Manager/
 Ressources Architectural et de Directeur d'ingénierie
 Client/client

Drawing title/Titre du dessin
RAMP SECTIONS

Project No./No. du projet	Sheet/Feuille	Revision no./ La Révision no.
05-2013	S3	0