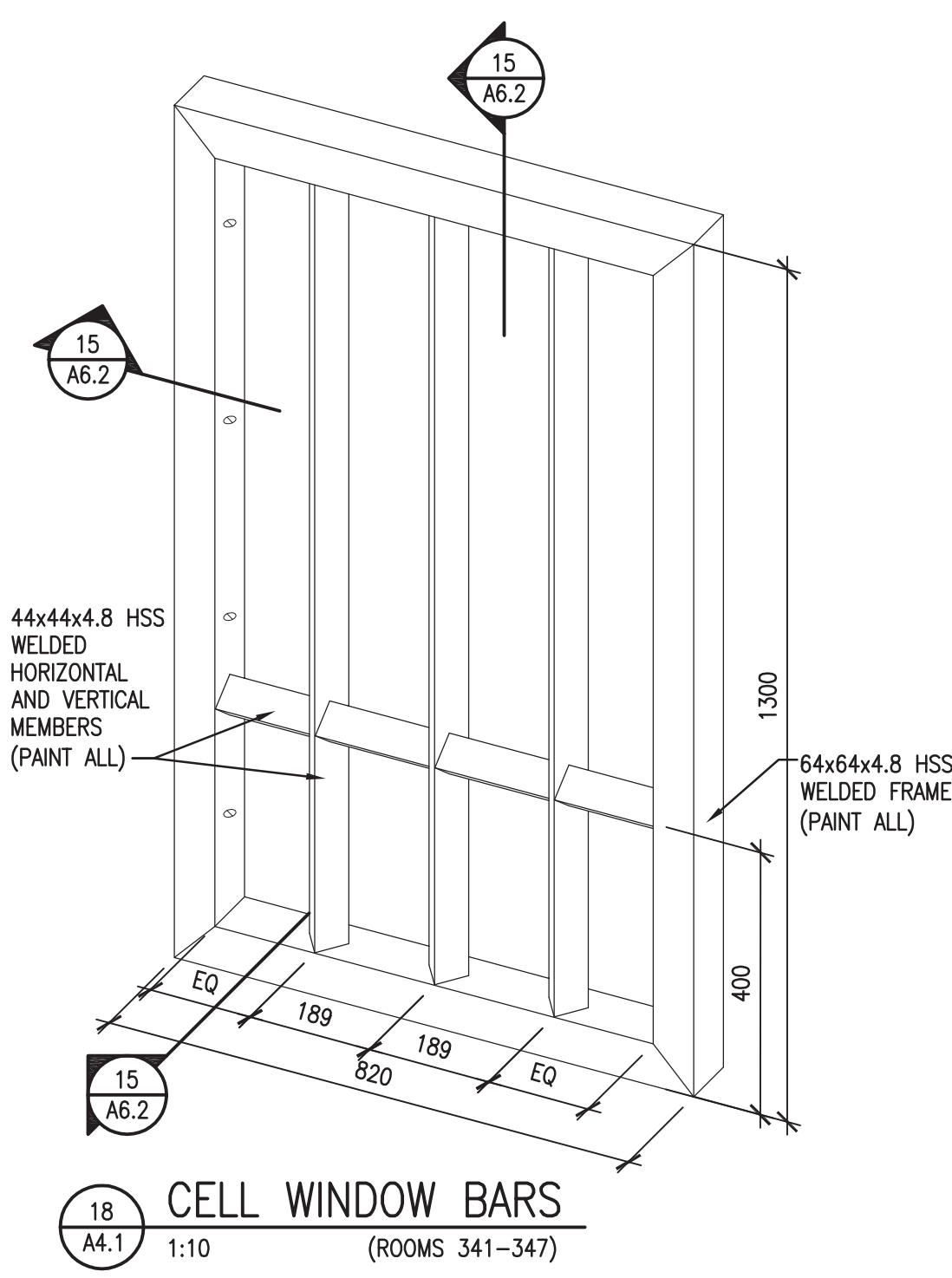
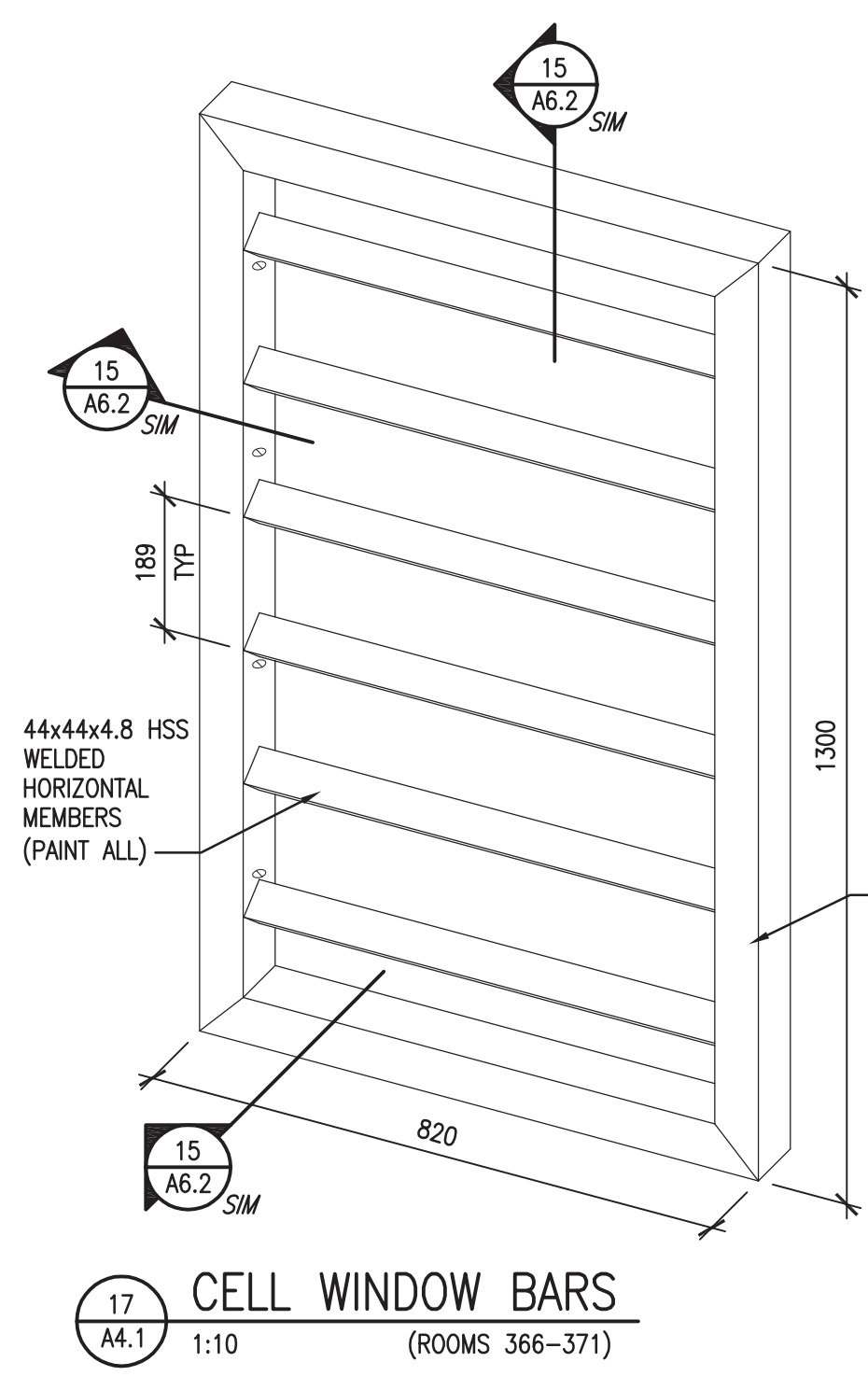


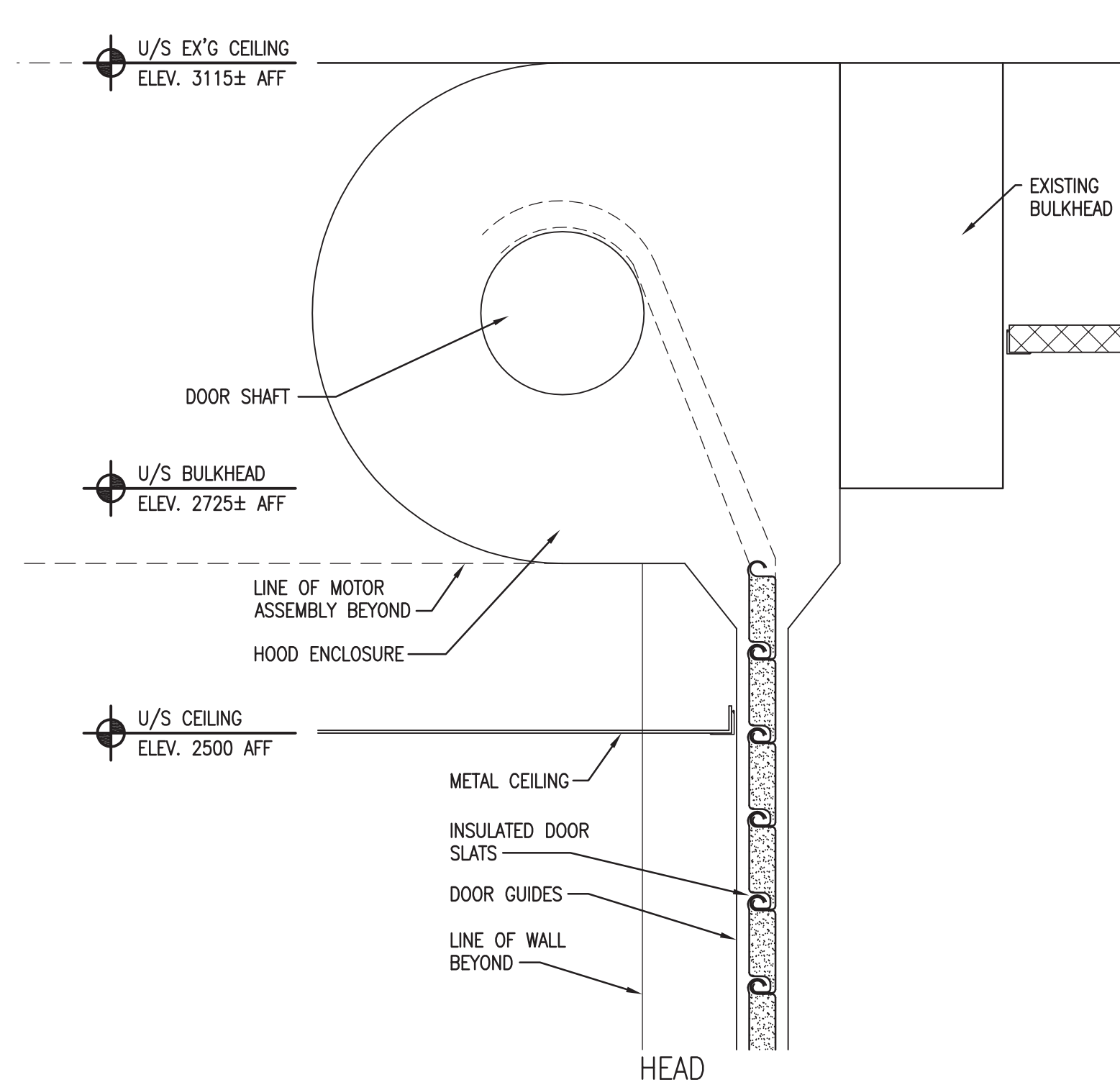
19 CELL DOOR & FRAME DETAILS (SLIDING DOOR)
A5.1 1:5



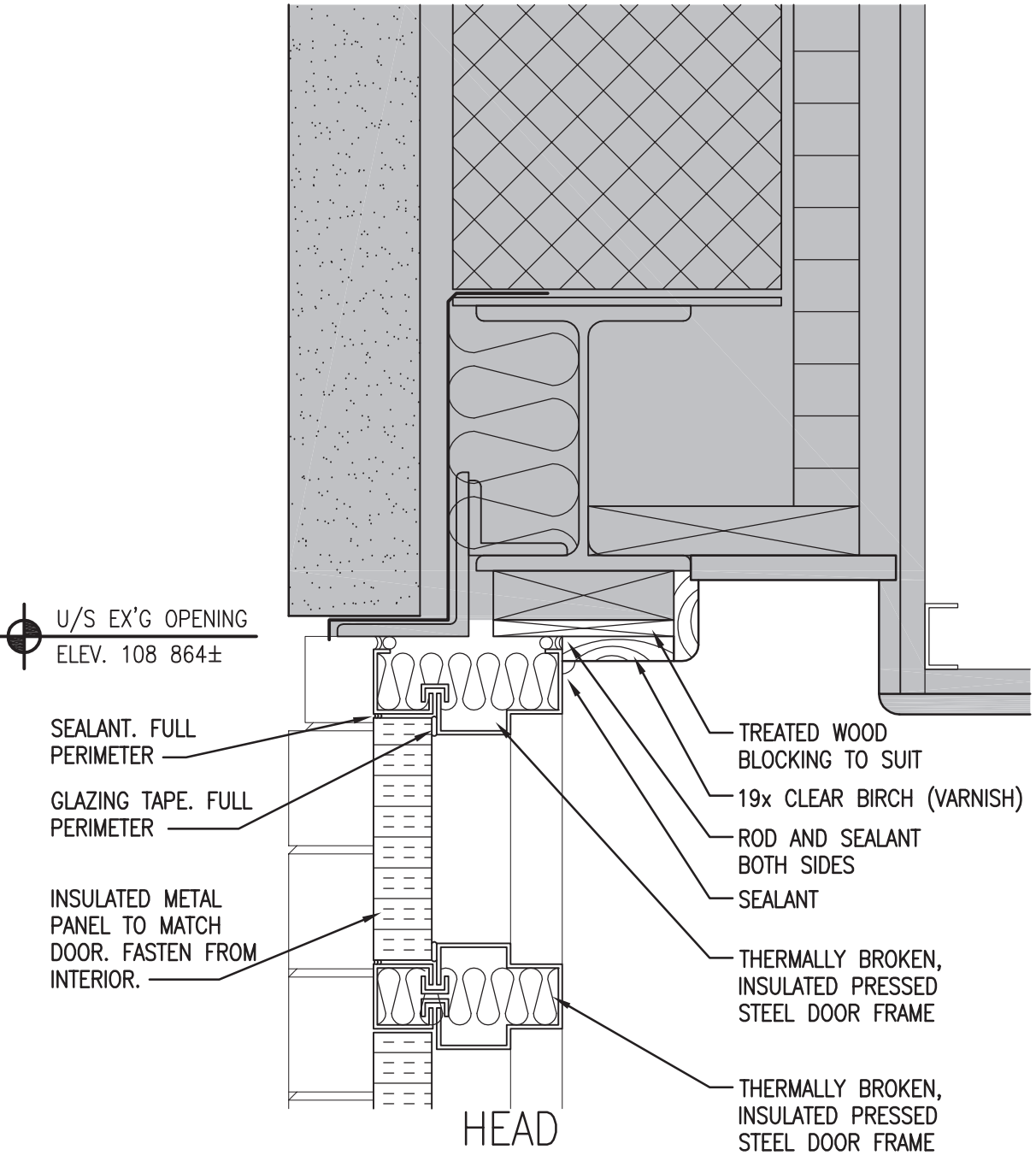
18 CELL WINDOW BARS (ROOMS 341-347)
A4.1 1:10



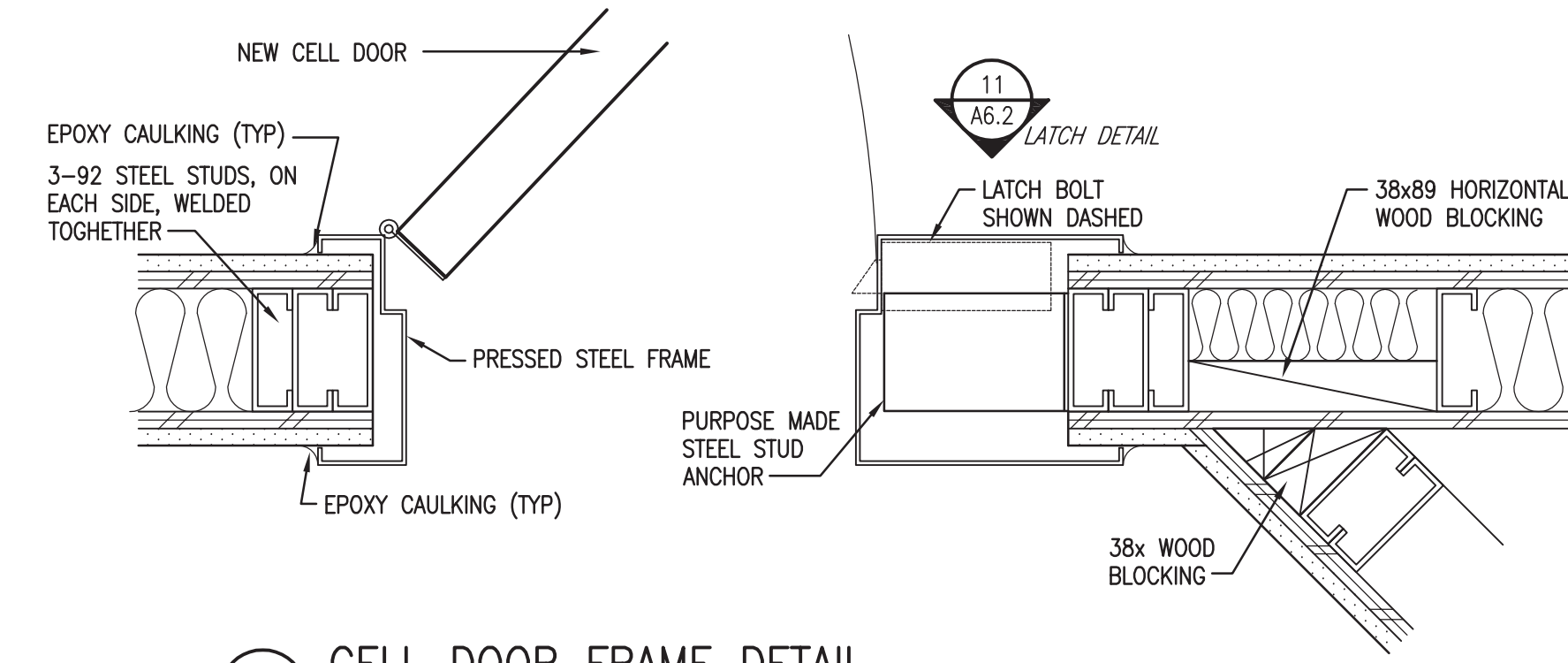
17 CELL WINDOW BARS (ROOMS 366-371)
A4.1 1:10



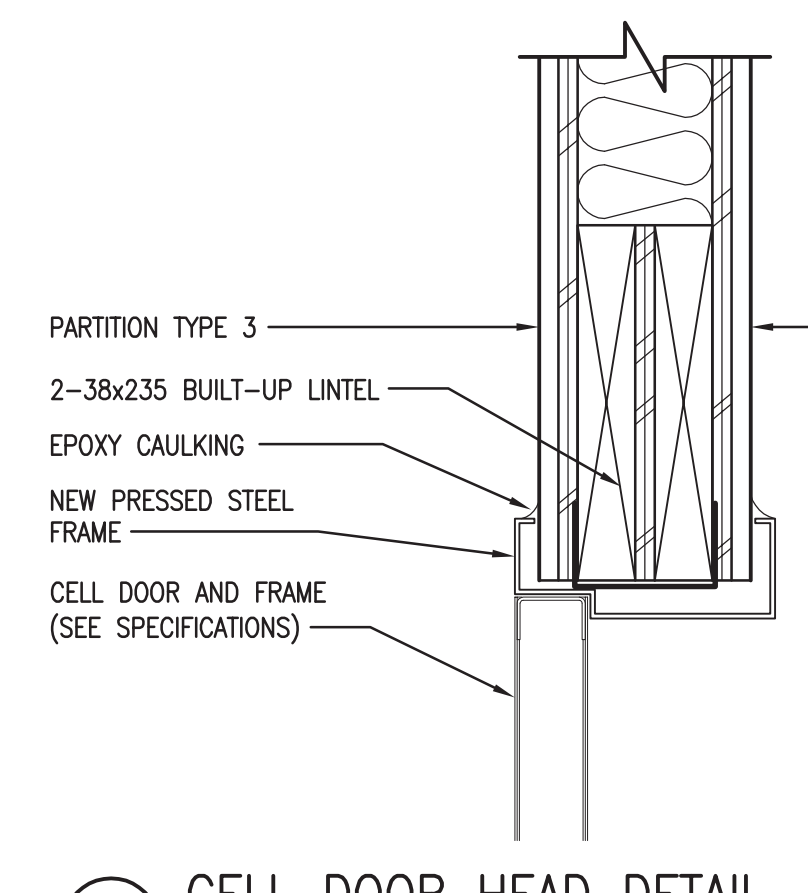
13 OVERHEAD COILING DOOR DETAIL
A6.2 1:5



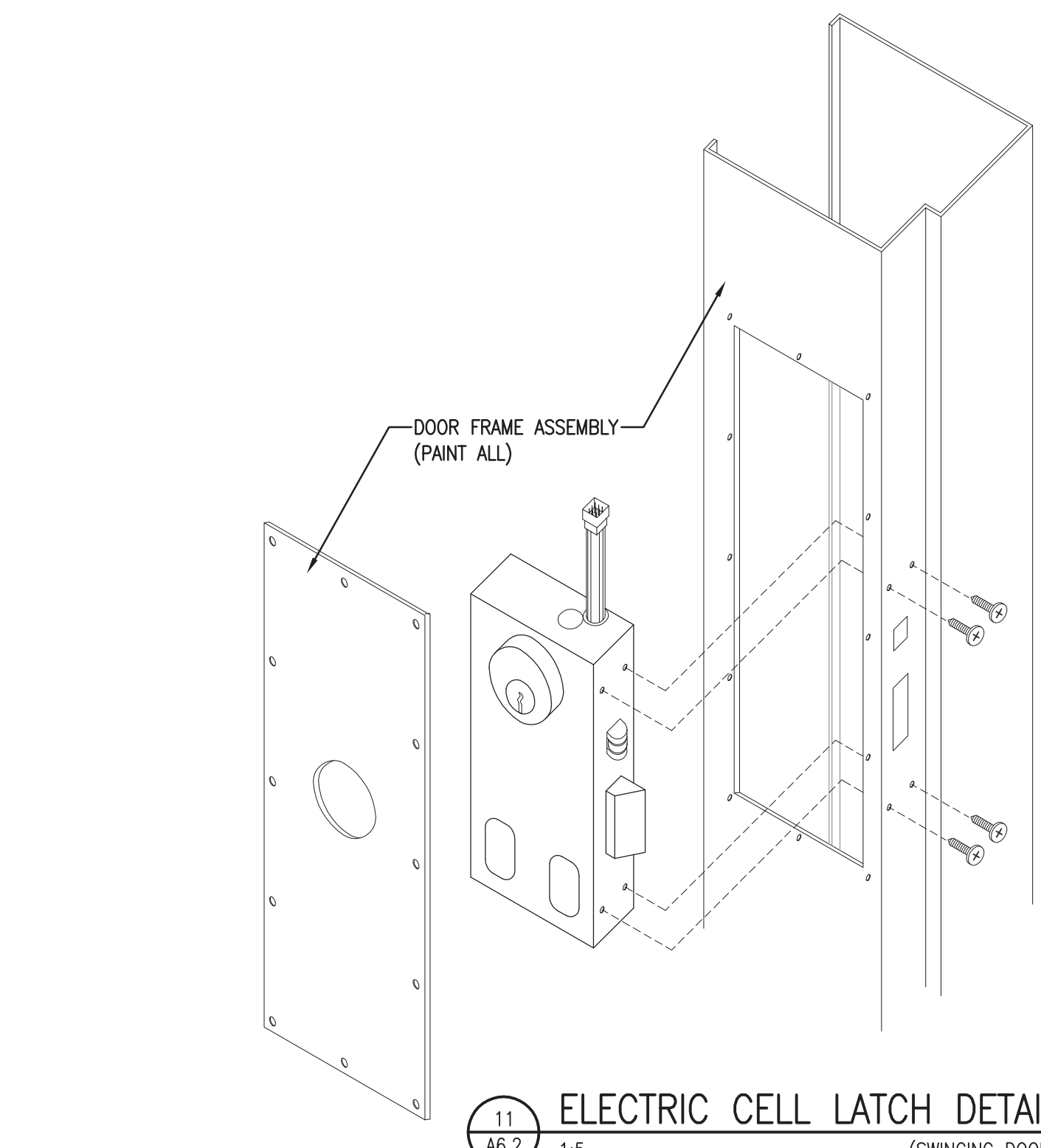
12 EXTERIOR DOOR DETAIL
A3.1 1:5



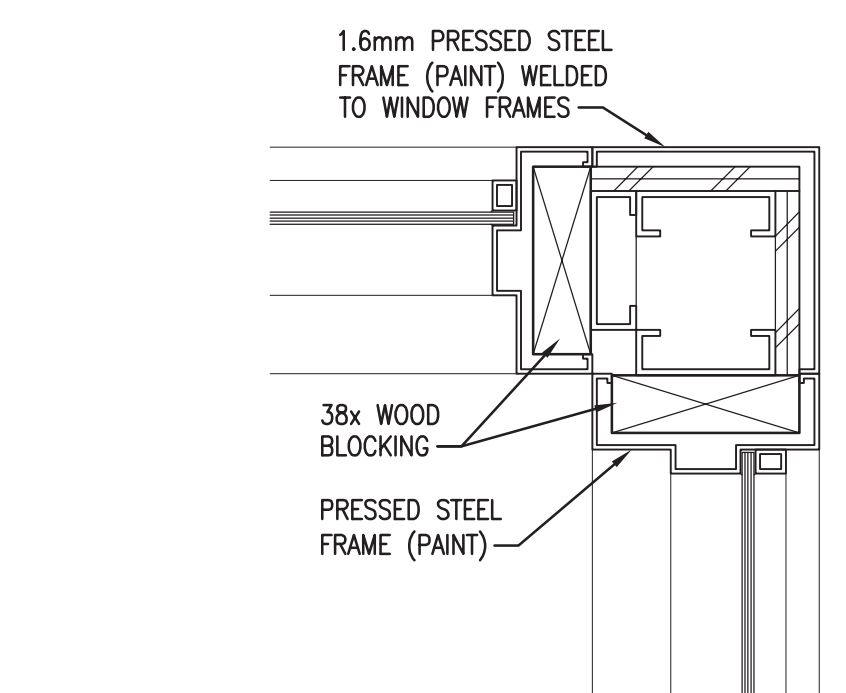
16 CELL DOOR FRAME DETAIL (SWINGING DOOR)
A5.1 1:5



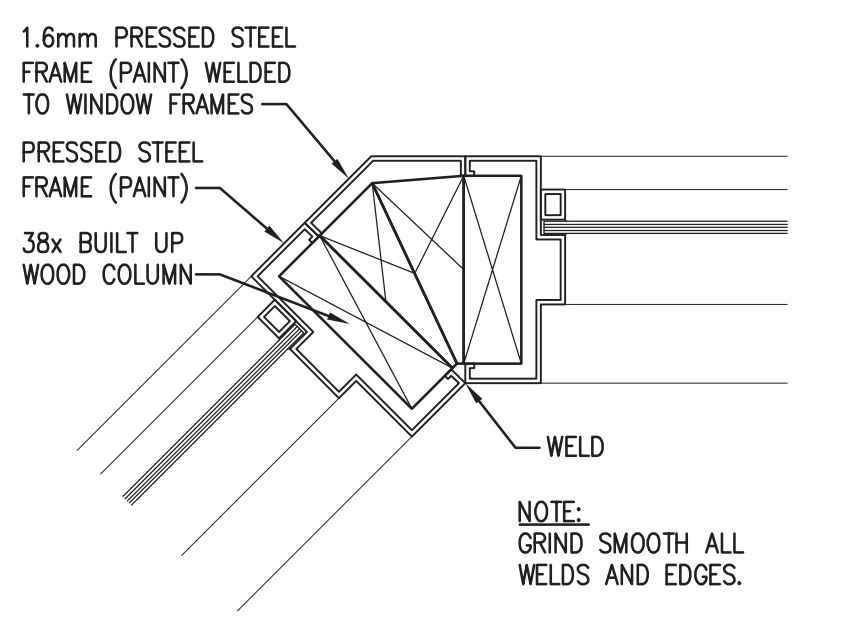
15 CELL WINDOW BARS
A6.2 1:5



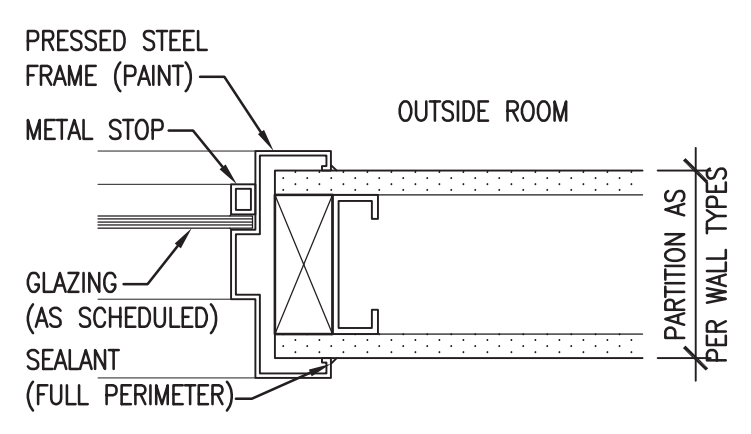
11 ELECTRIC CELL LATCH DETAIL (SWINGING DOOR)
A6.2 1:5



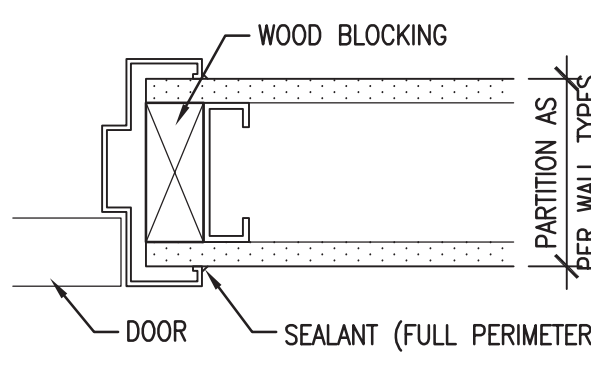
9 SECURITY WINDOW FRAME (ROOMS 331 & 333)
A4.1 1:5



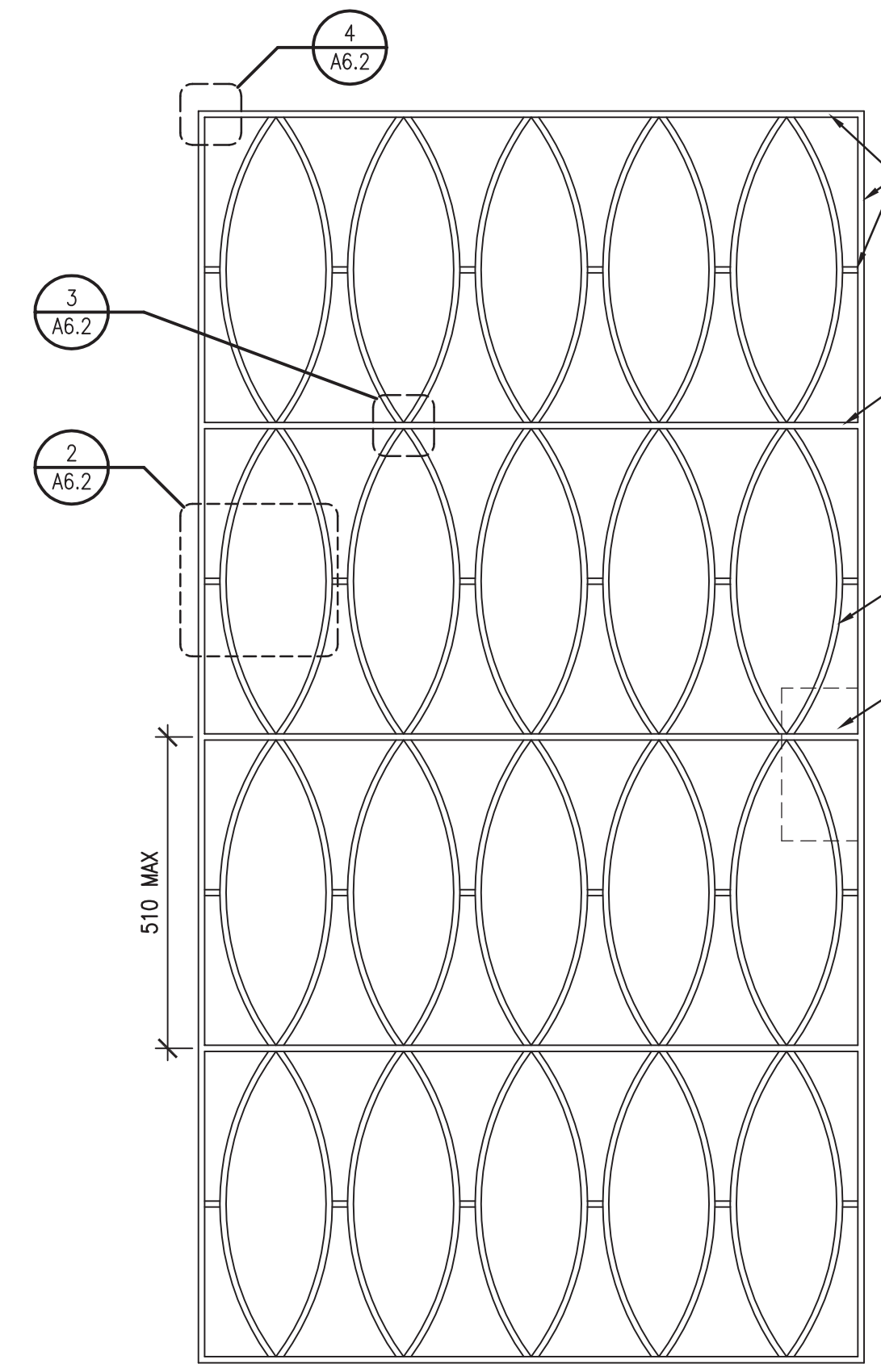
7 SECURITY WINDOW FRAME (ROOMS 331 & 333)
A4.1 1:5



10 OBSERVATION WINDOW FRAME
A4.1 1:5



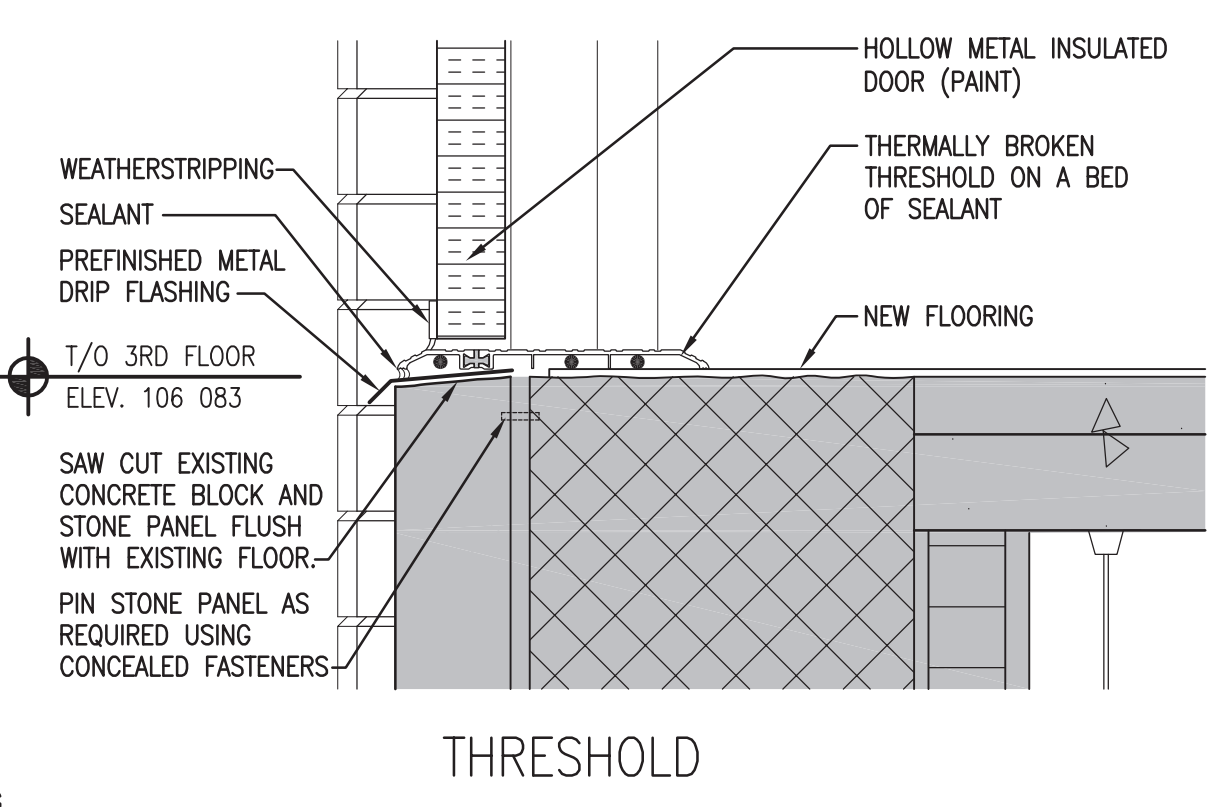
6 DOOR FRAME (TYP)
A4.1 1:5



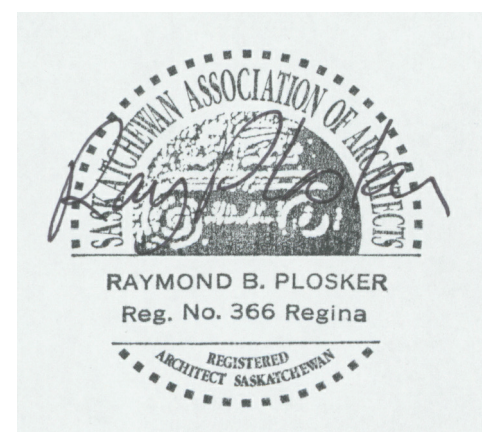
4 BARRIER DETAILS
A6.2 1:5

3 BARRIER DETAILS
A6.2 1:5

2 BARRIER DETAILS
A6.2 1:5



1 VERTICAL GUN PORT DETAIL (ALL STAINLESS STEEL)
A5.1 1:5



DO NOT SCALE DRAWINGS

Revision/Revisions	Description/Description	Date/Date
0	ISSUED FOR TENDER	2014-01-17

Project title/Titre du projet
SHARED LEARNING FACILITY
 REGINA, SK

Approved by/Approve par
 Designed by/Concept par
 Drawn by/Dessiné par
 Project Manager/Administrateur de Projets
 AC
 Architectural and Engineering Resources Manager/
 Ressources Architectural et de Directeur d'ingénierie
 Client/client

Drawing title/Titre du dessin
DETAILS

