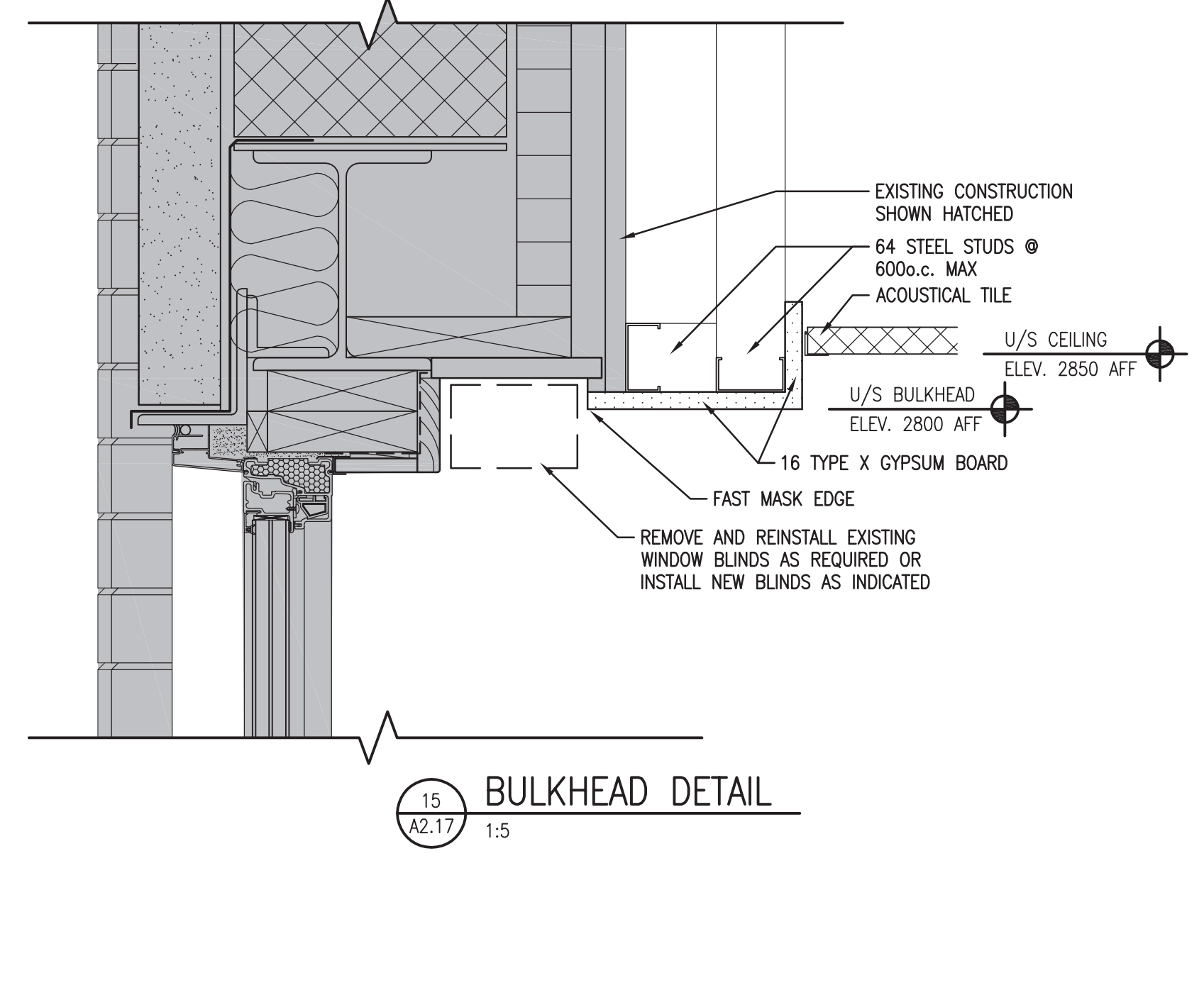
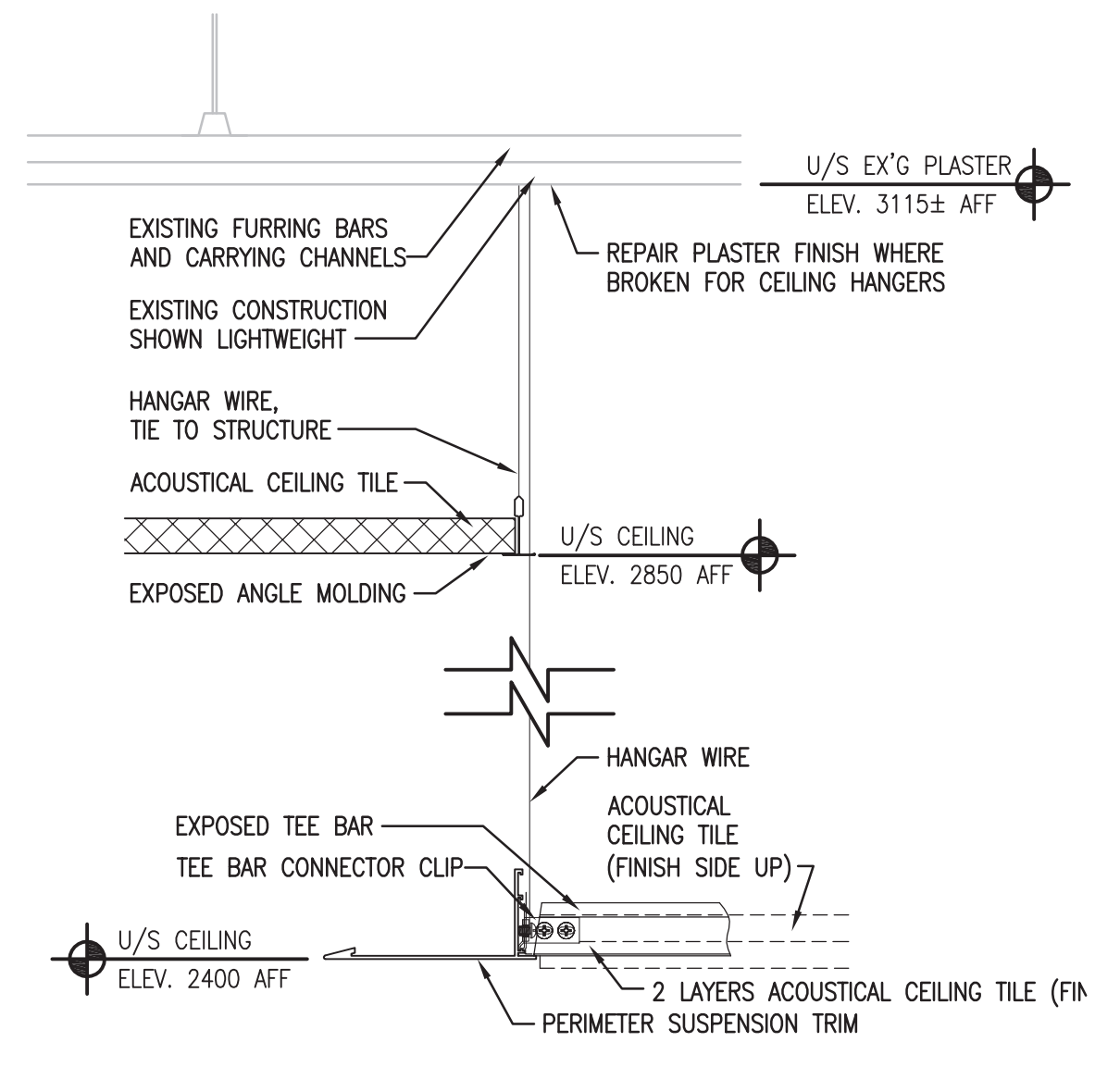


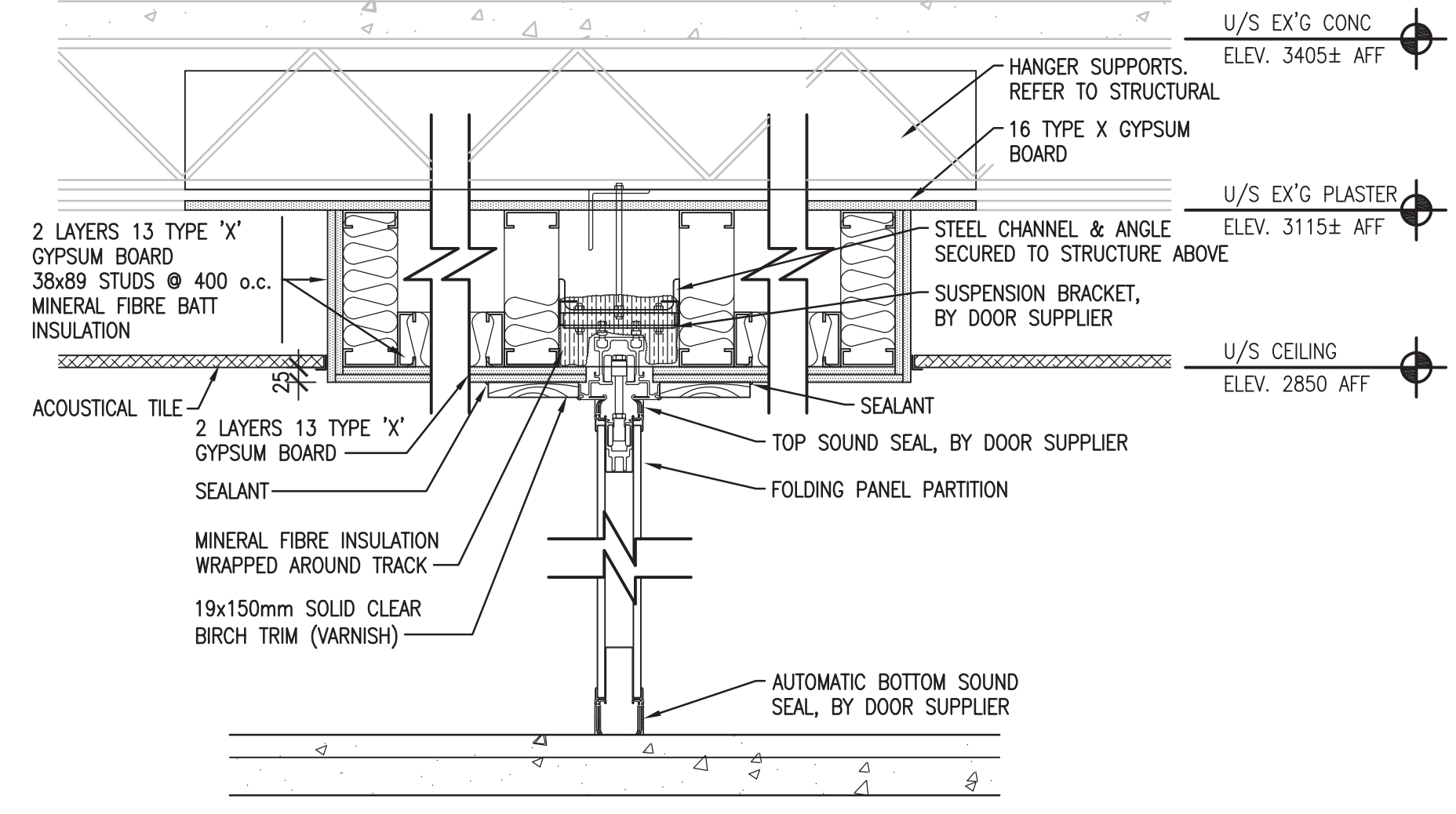
16 BULKHEAD DETAIL
A2.17 1:5



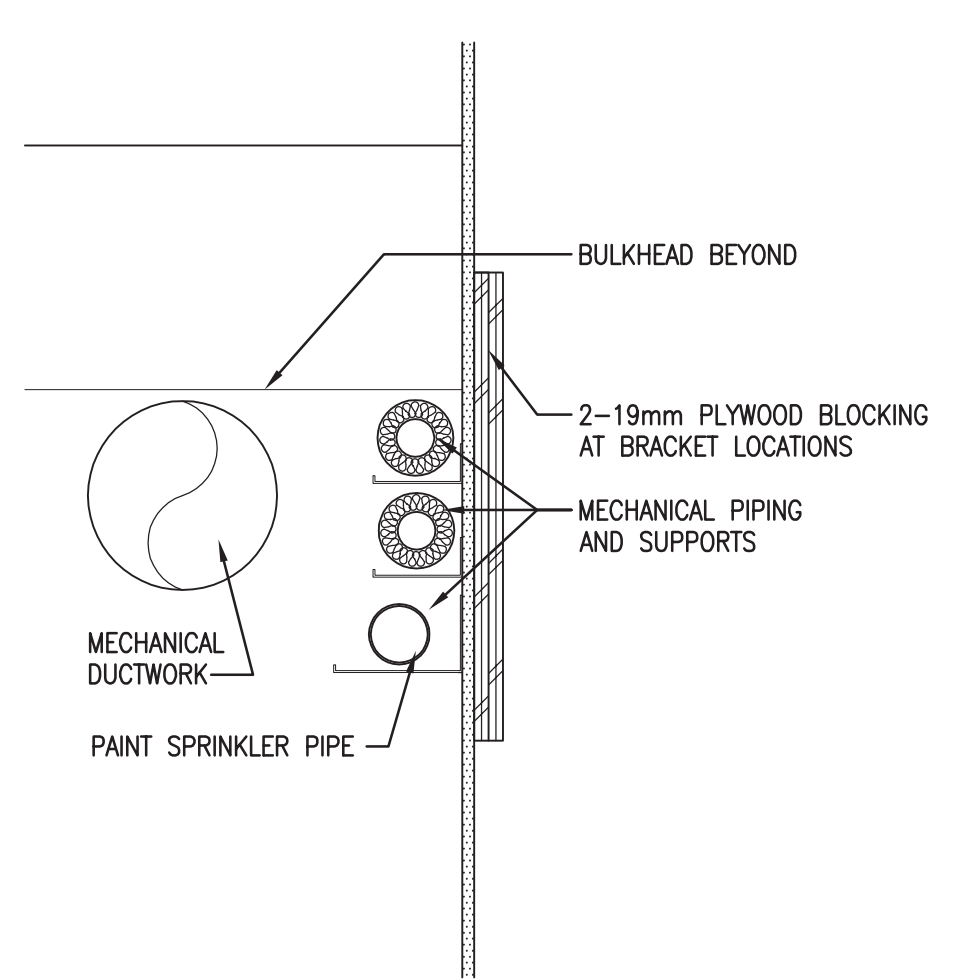
15 BULKHEAD DETAIL
A2.17 1:5



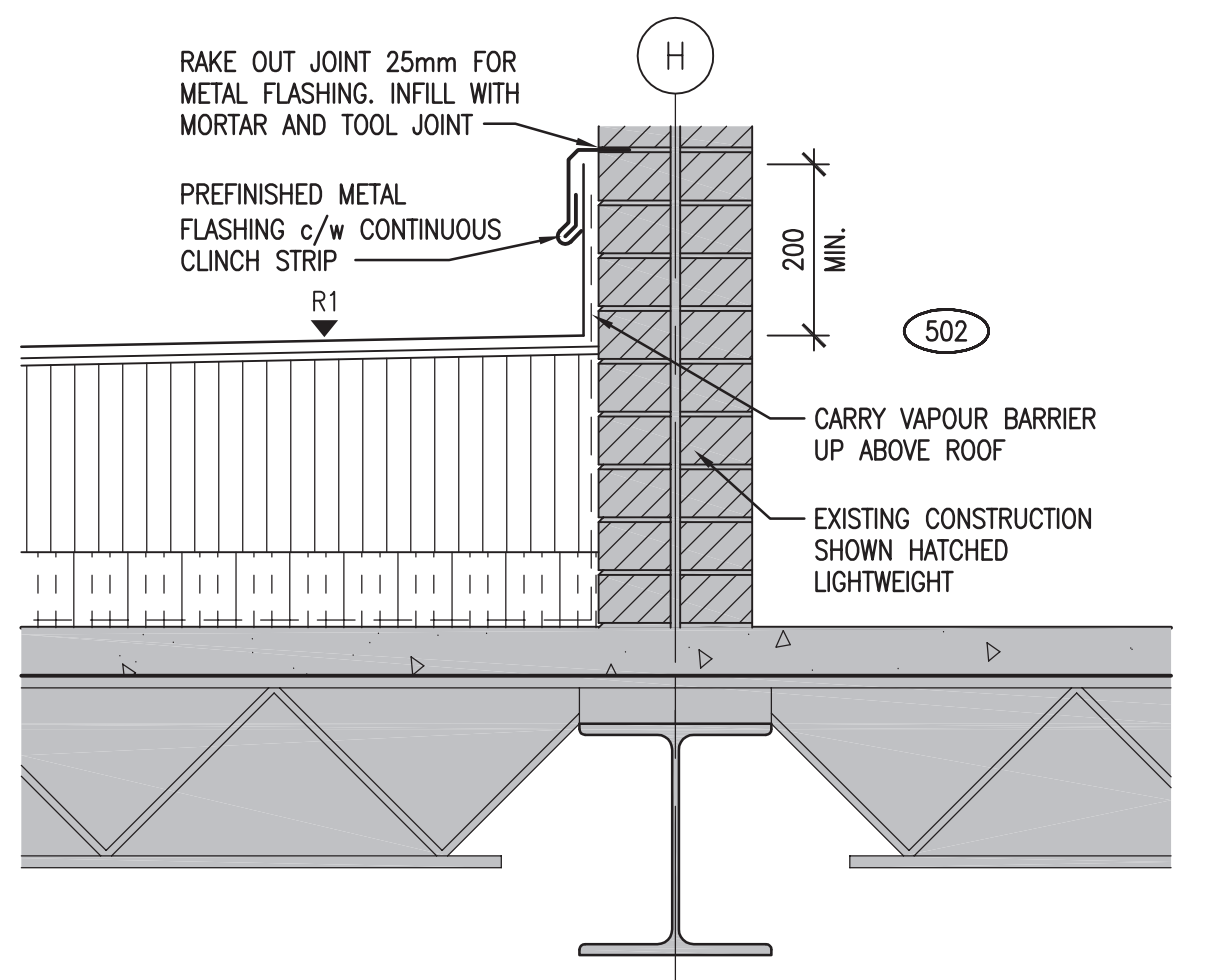
14 SUSPENDED CEILING DETAIL
A2.17 1:5 (TYPICAL SUSPENDED DROPPED CEILING)



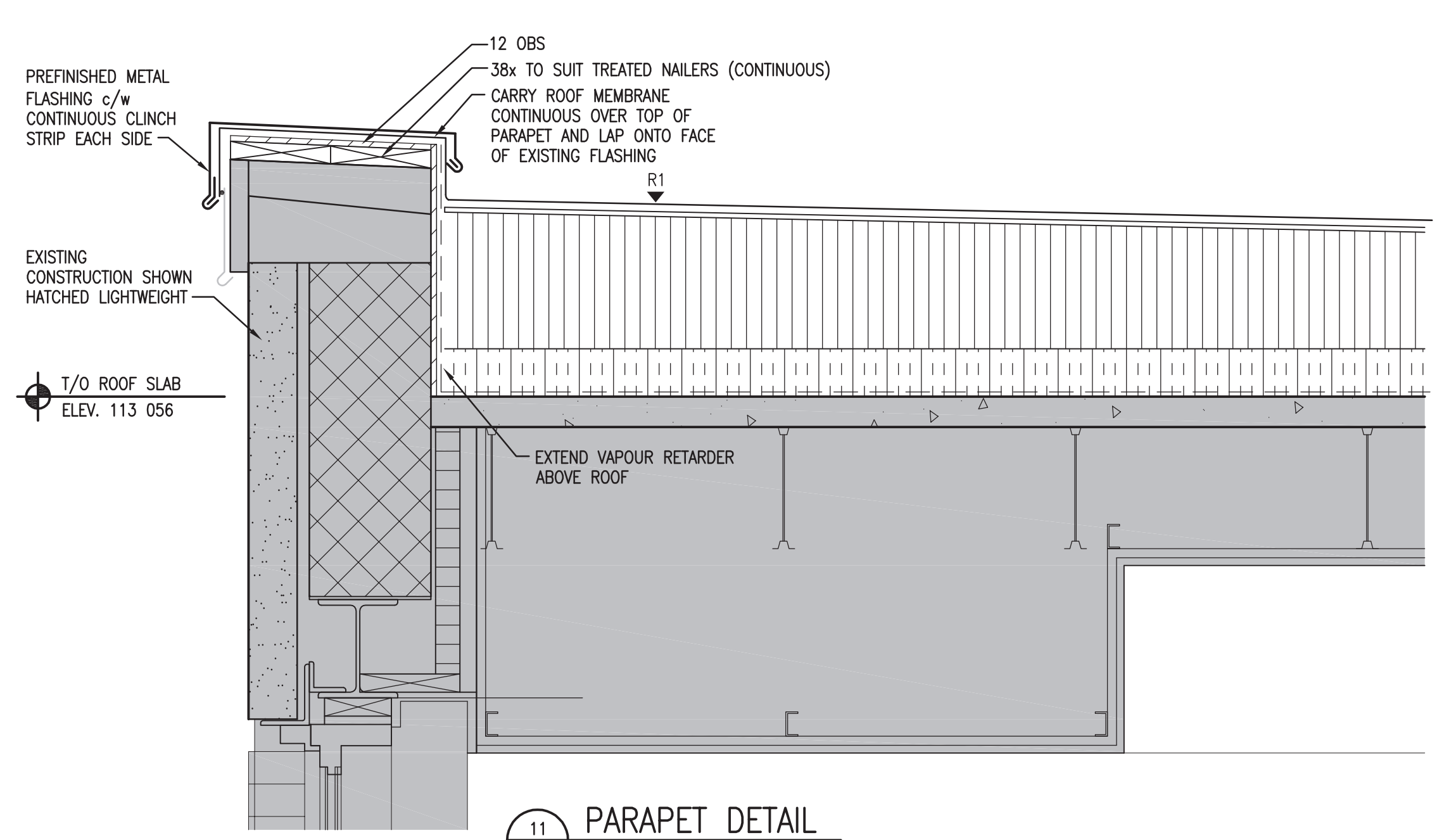
13 OPERABLE PARTITION DETAIL
A2.17 1:10



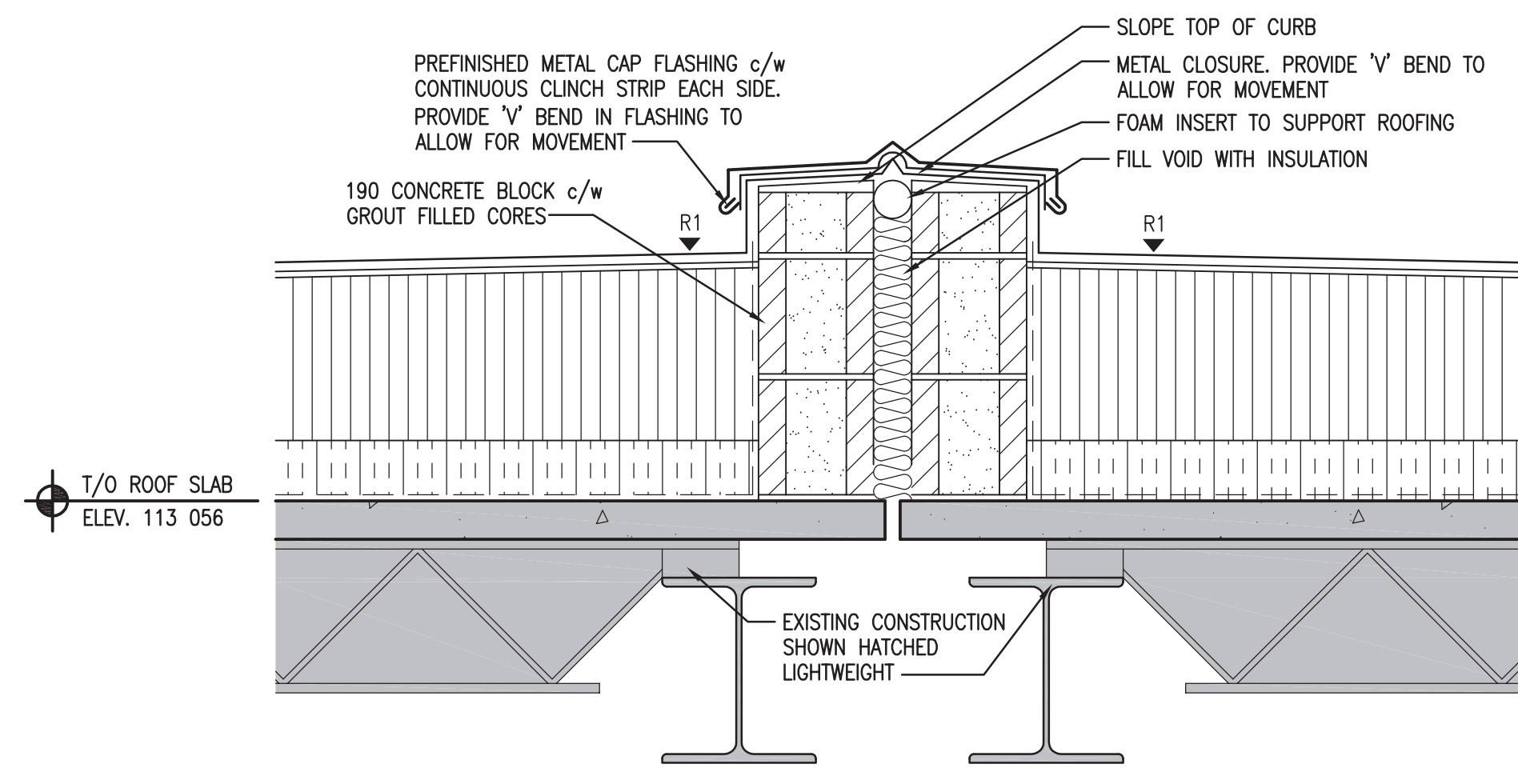
17 PIPE CORRIDORS DETAIL (TYP.)
A3.2 1:10



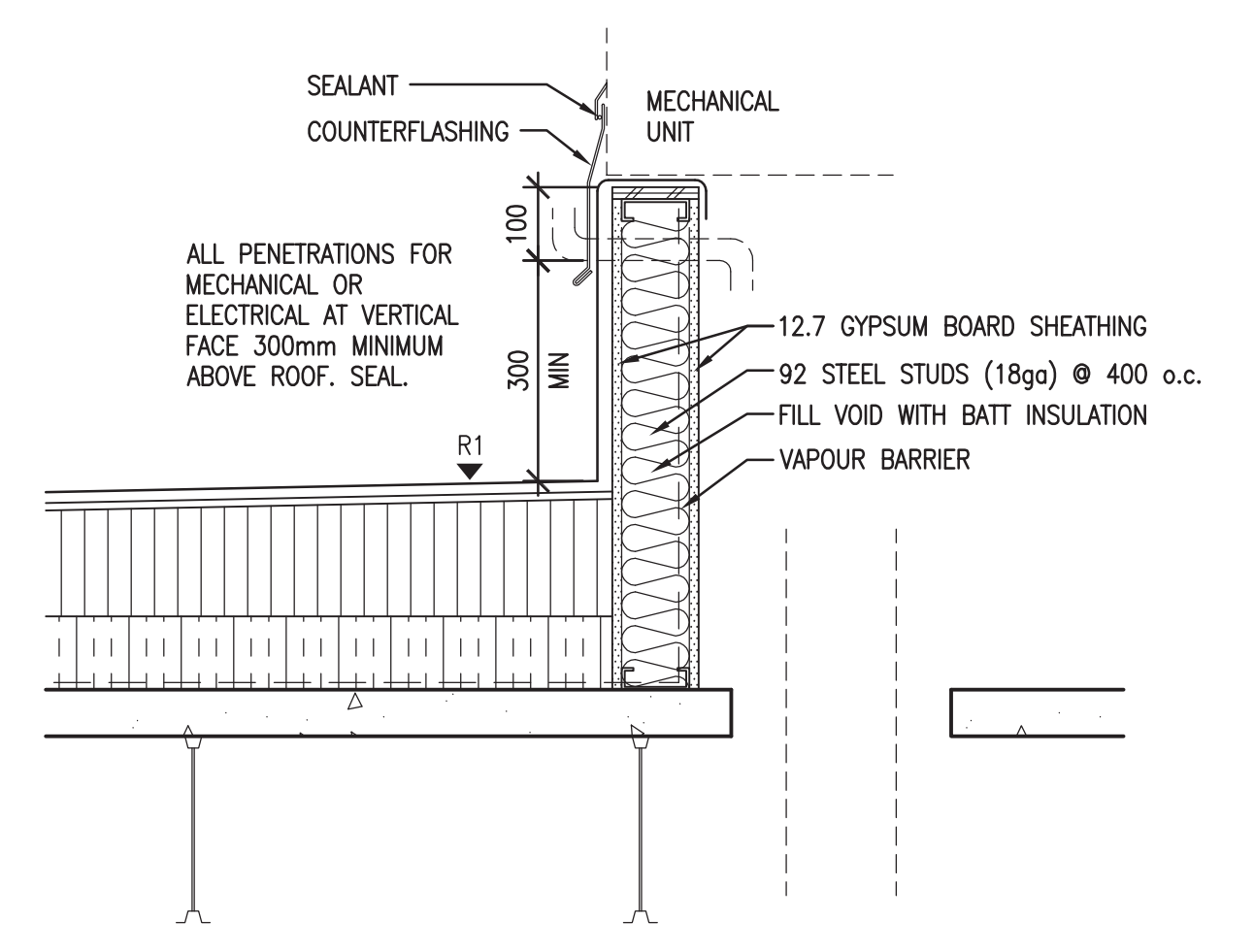
12 ROOF TO WALL DETAIL
A2.13 1:10



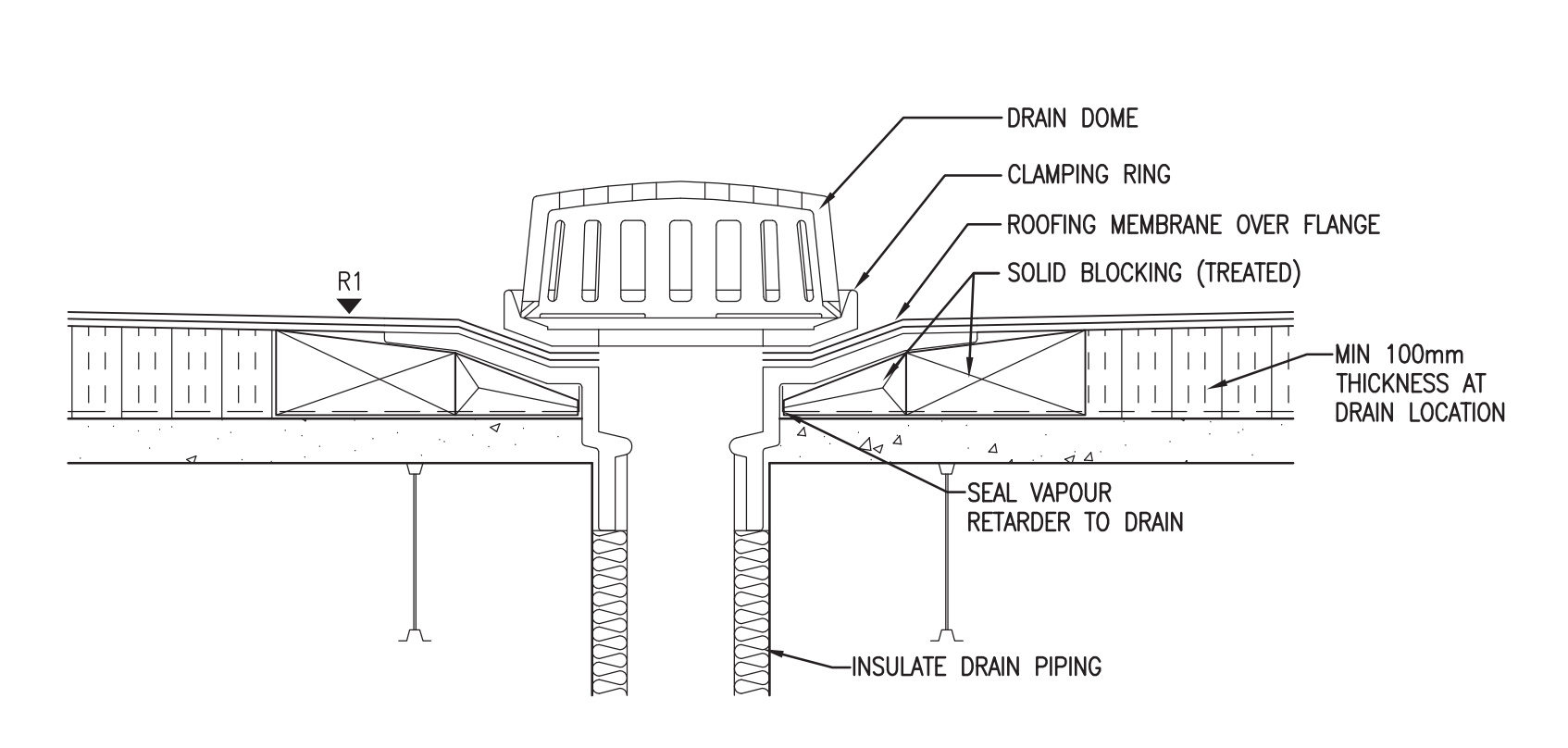
11 PARAPET DETAIL
A2.13 1:10



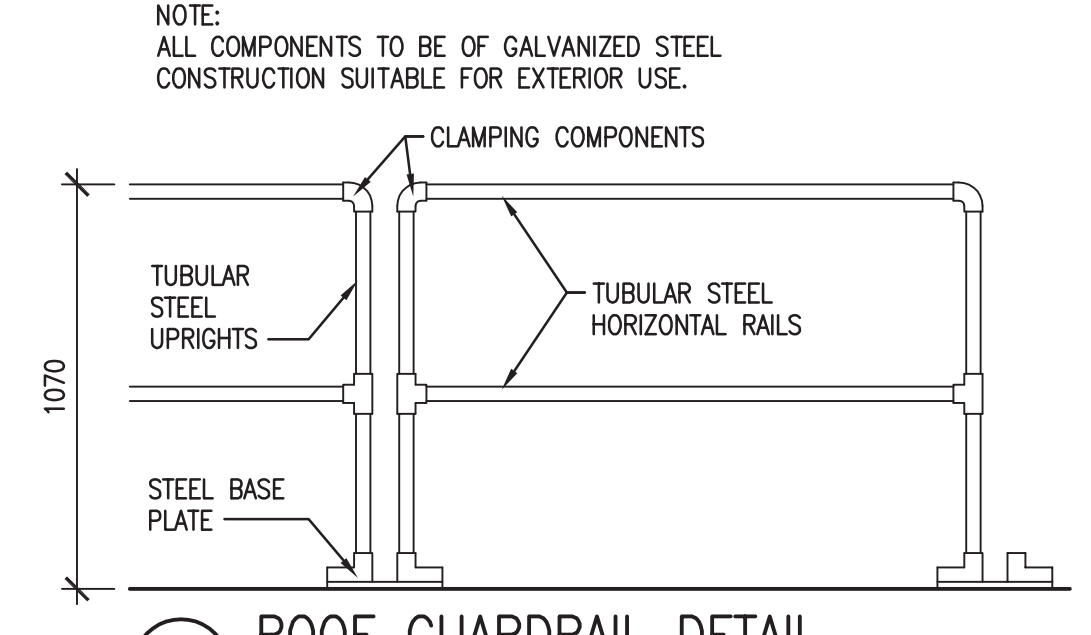
10 ROOF DIVIDER CURB DETAIL
A2.13 1:10



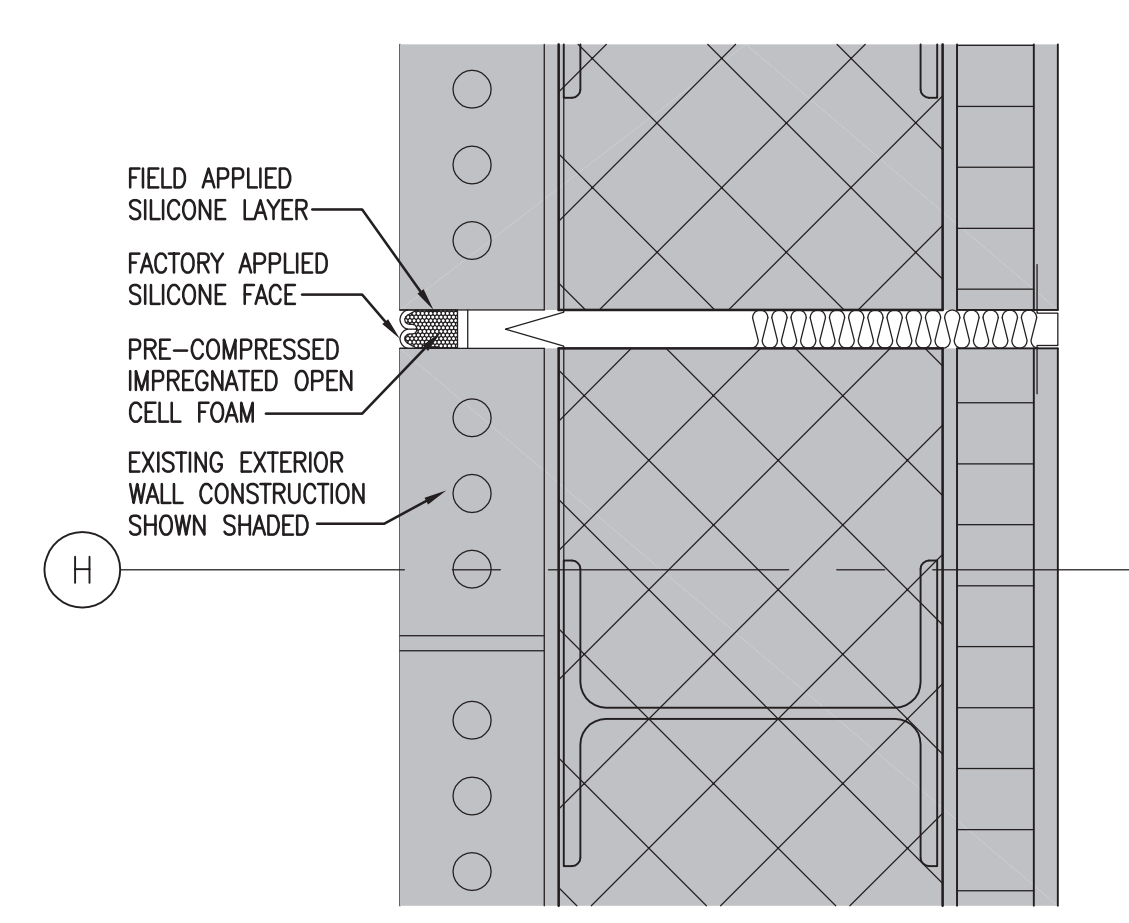
9 CURB DETAIL
A2.13 1:10



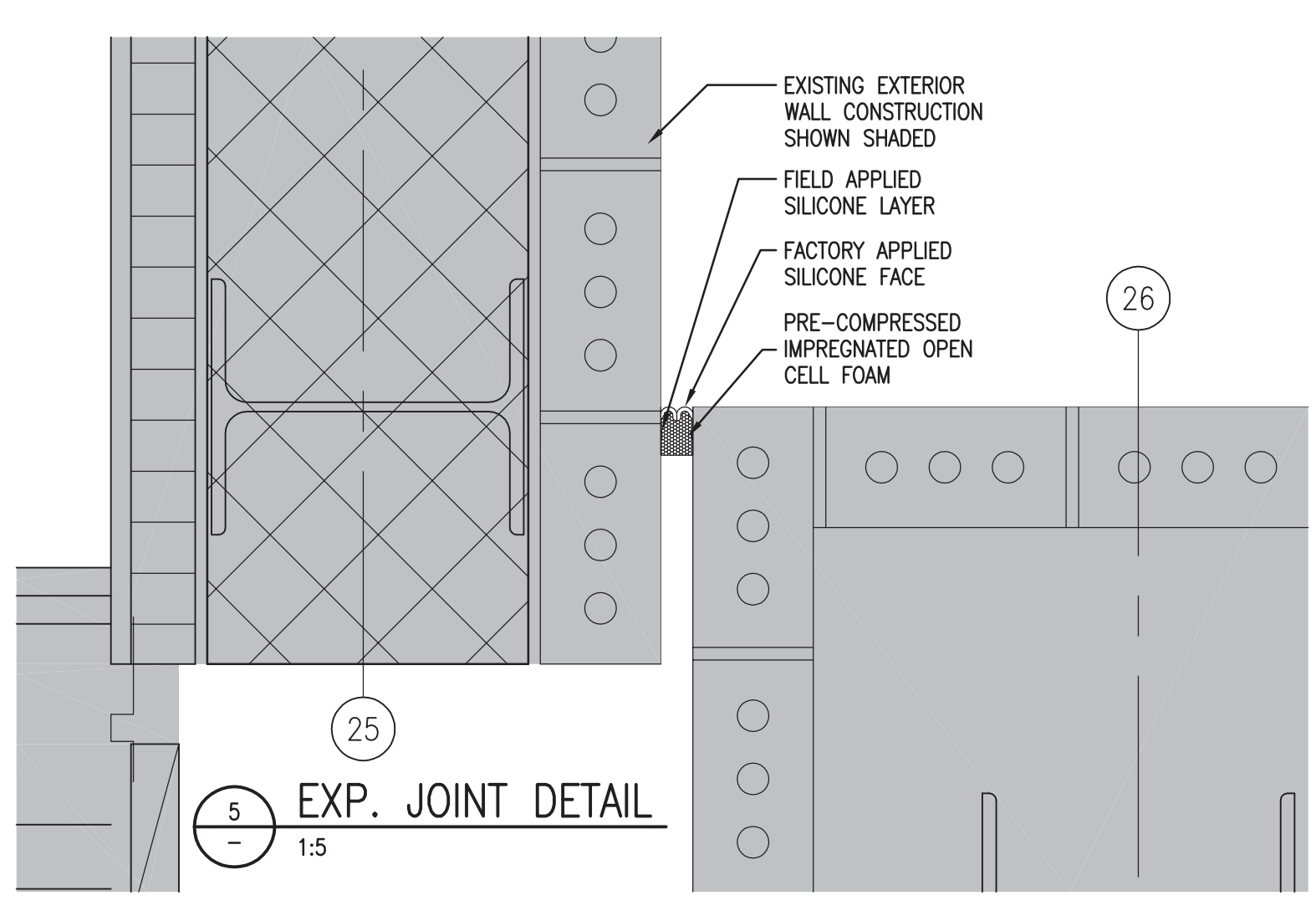
8 ROOF DRAIN DETAIL
A2.13 1:10



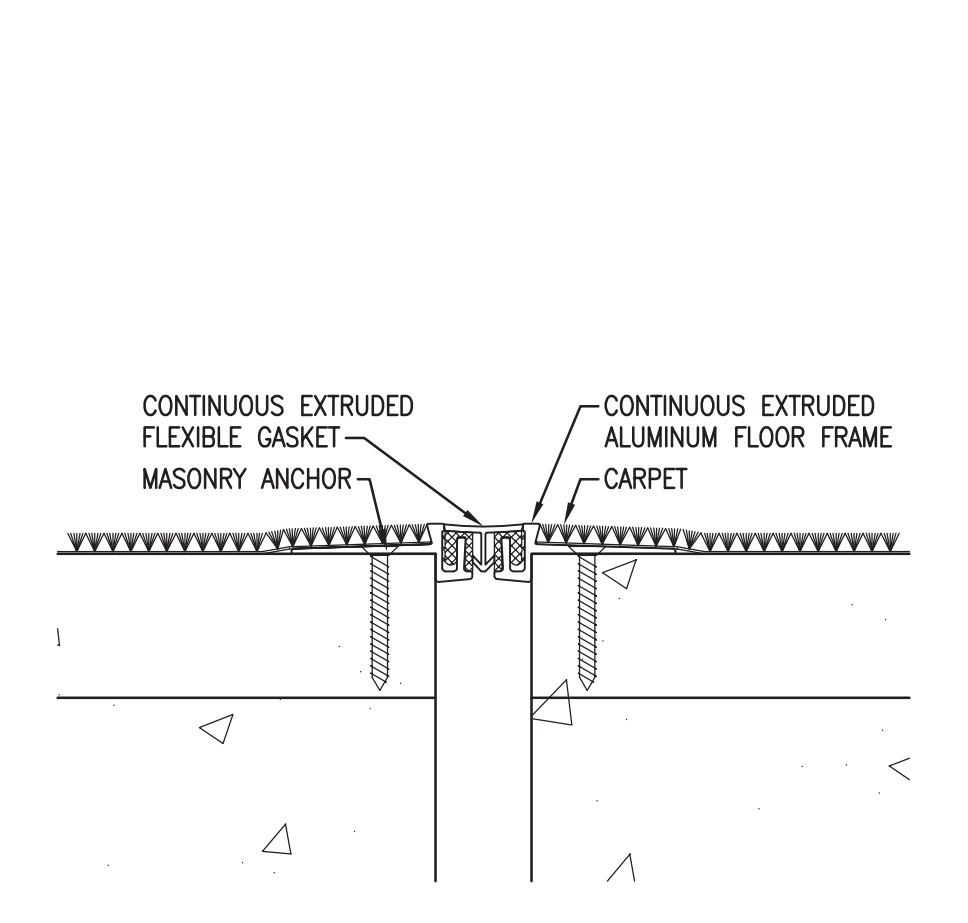
7 ROOF GUARDRAIL DETAIL
A2.13 1:20



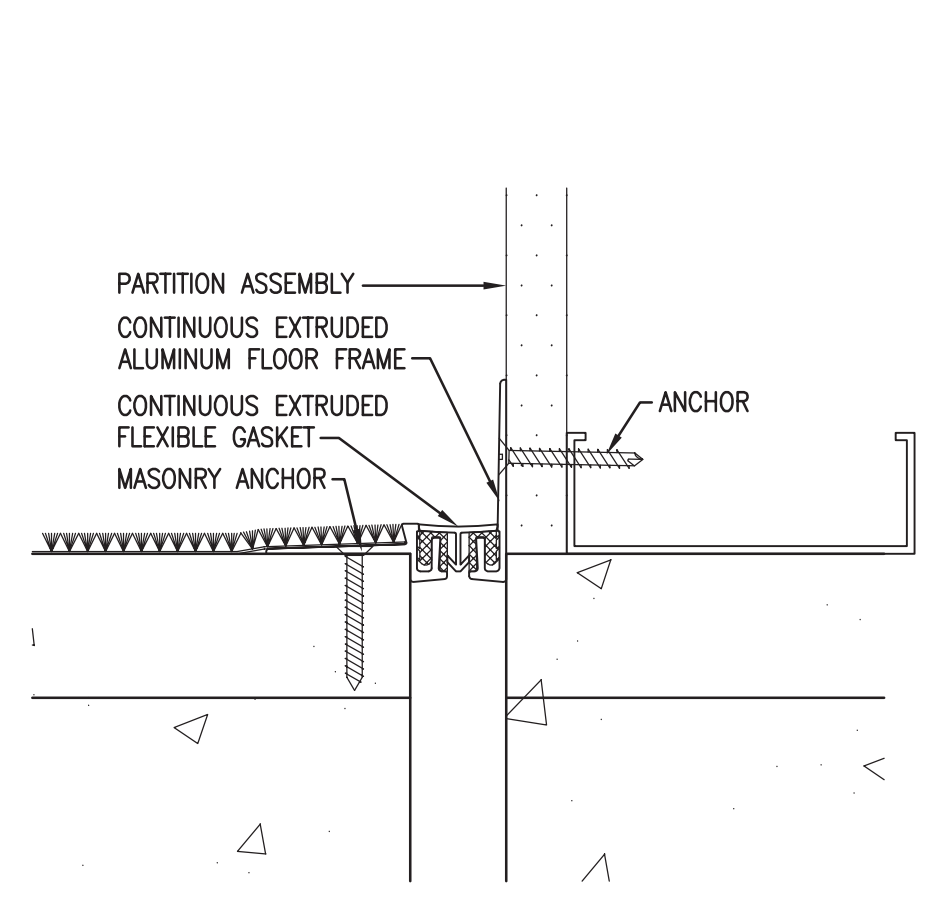
6 EXPANSION JOINT DETAIL
A2.11 1:5



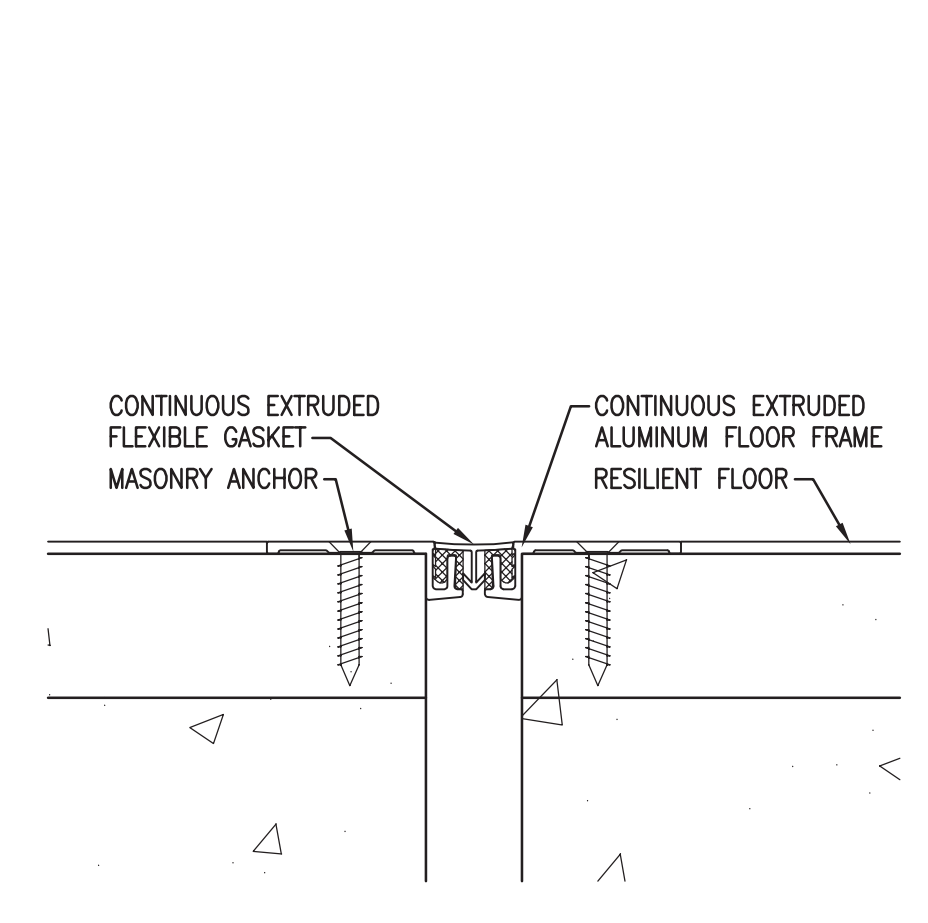
5 EXP. JOINT DETAIL
A2.11 1:5



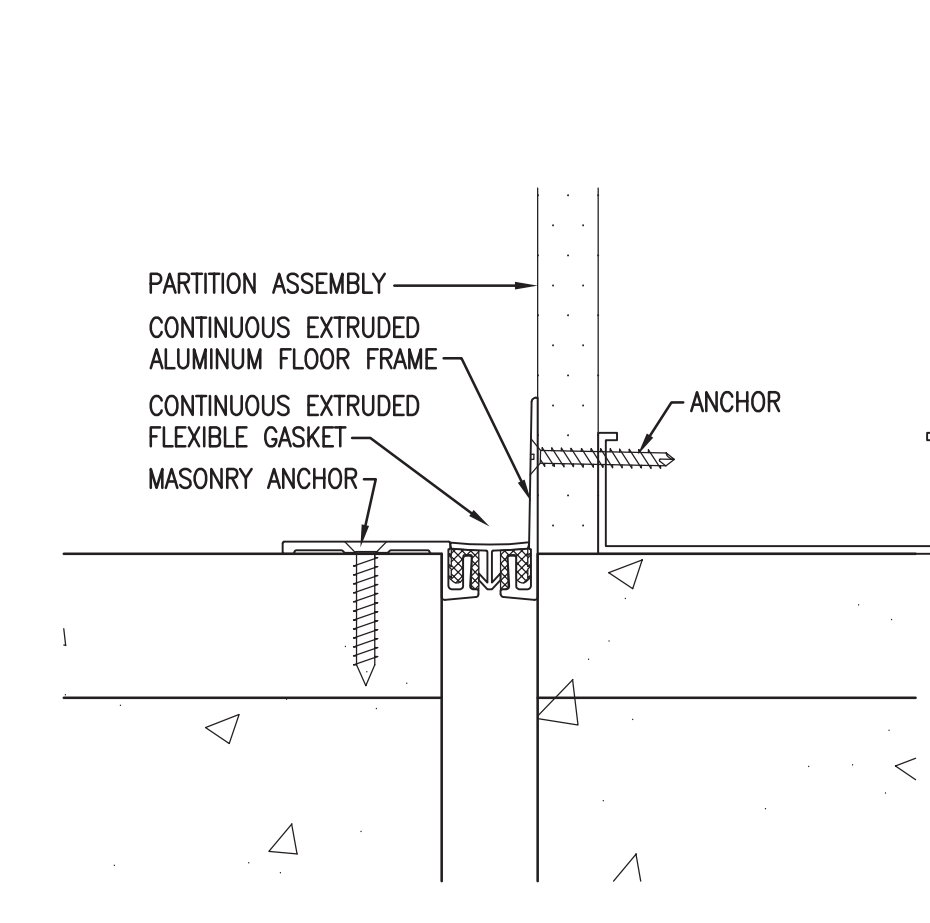
4 EXPANSION JOINT DETAIL
A2.11-J2 1:2 (FLOOR TO FLOOR)



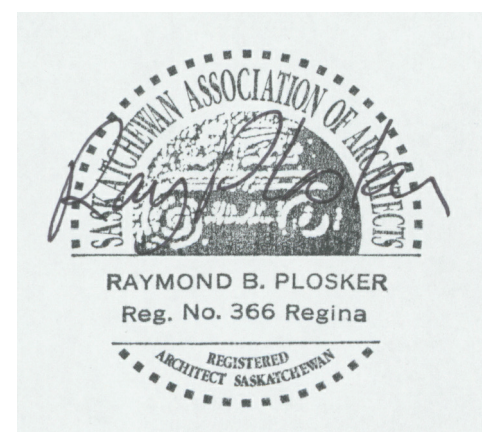
3 EXPANSION JOINT DETAIL
A2.11-J2 1:2 (FLOOR TO WALL)



2 EXPANSION JOINT DETAIL
A2.11-J2 1:2 (FLOOR TO FLOOR)



1 EXPANSION JOINT DETAIL
A2.11-J2 1:2 (FLOOR TO WALL)



DO NOT SCALE DRAWINGS

Revision/	Description/Description	Date/Date
0	ISSUED FOR TENDER	2014-01-17

Client/client

Project title/Titre du projet

**SHARED LEARNING FACILITY
REGINA, SK**

Approved by/Approve par

Designed by/Concept par

Drawn by/Dessiné par

Project Manager/Administrateur de Projets

Architectural and Engineering Resources Manager/
 Ressources Architectural et de Directeur d'Ingénierie

Client/client

Drawing title/Titre du dessin

DETAILS

