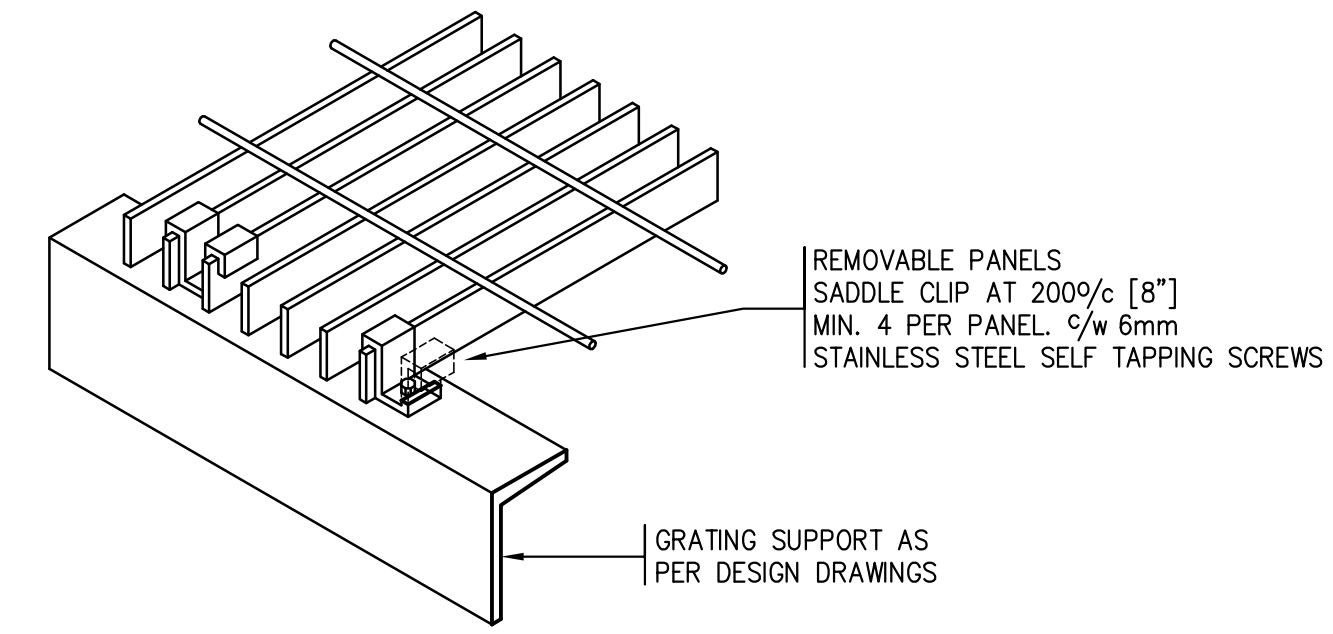
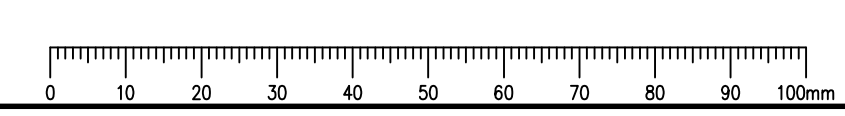


- NOTE:**
1. TYPICAL STAIR STRINGER TO BE C250x23 U.N.O.
  2. HAND AND GUARDRAIL HORIZONTAL MEMBERS TO BE FROM DN40 STD. WALL HSS PIPE. VERTICAL MEMBERS TO BE FROM DN50 STD. WALL PIPE. ALL PIPE TO BE 240MPa.
  3. ALL CONNECTIONS TO BE BOLTED UNLESS APPROVED.
  4. TYPICAL STAIR TREAD TO BE STANDARD GRATING 25x4.8 BEARING BARS TYPE 19-4 1/2" ABRASIVE NOSING, GALVANIZED.
  5. TYPICAL LANDING GRATING TO BE STANDARD GRATING 32x4.8 BEARING BARS TYPE 19-4 BANDED, GALVANIZED.

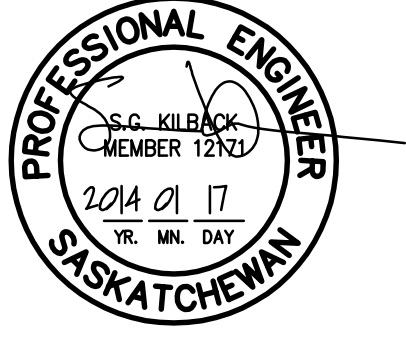
1 SECTION THRU STAIR  
1:20



2 GRATING ANCHORAGE DETAIL  
NTS



**STRUCTURAL ENGINEERS**  
BROWNLEE BEATON KREKE  
SUITE 400 - 400 MAGDALENE STREET - REGINA - SK - S4S 0P9  
TEL: (306) 584-8833 • EMAIL: info@bbkregina.com



Association of Professional Engineers & Geoscientists  
of Saskatchewan  
**CERTIFICATE OF AUTHORIZATION**  
BROWNLEE BEATON KREKE (REGINA) LTD.  
NUMBER 525  
PERMISSION TO CONSULT FIED BY:  
DISCIPLINE STRUCTURAL 12171 SIGNATURE *SEK*

Revision/Description	Date/Date
0 ISSUED FOR TENDER	2014-01-17

Project title/Titre du projet  
**REGINA, SK**

**SHARED LEARNING FACILITY**

Approved by/Approve par  
Designed by/Concept par  
**SK**  
Drawn by/Dessine par  
**CS / DL**  
Project Manager/Administrateur de Projets  
**AC**  
Architectural and Engineering Resources Manager/  
Ressources Architectural et de Directeur d'ingénierie

Drawing title/Titre du dessin  
**CATWALK & STAIR SECTION GRATING DETAIL**

Project No./No. du projet	Sheet/Feuille	Revision no./La Révision no.
<b>05-2013</b>	<b>S4</b>	<b>0</b>