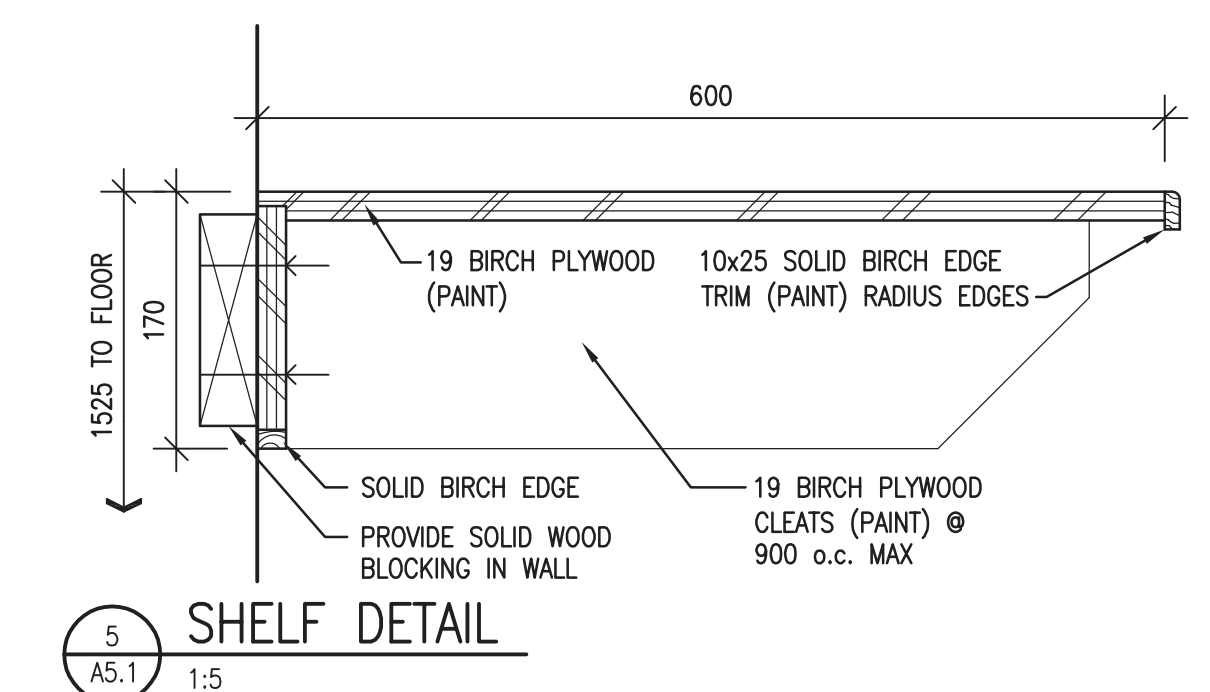
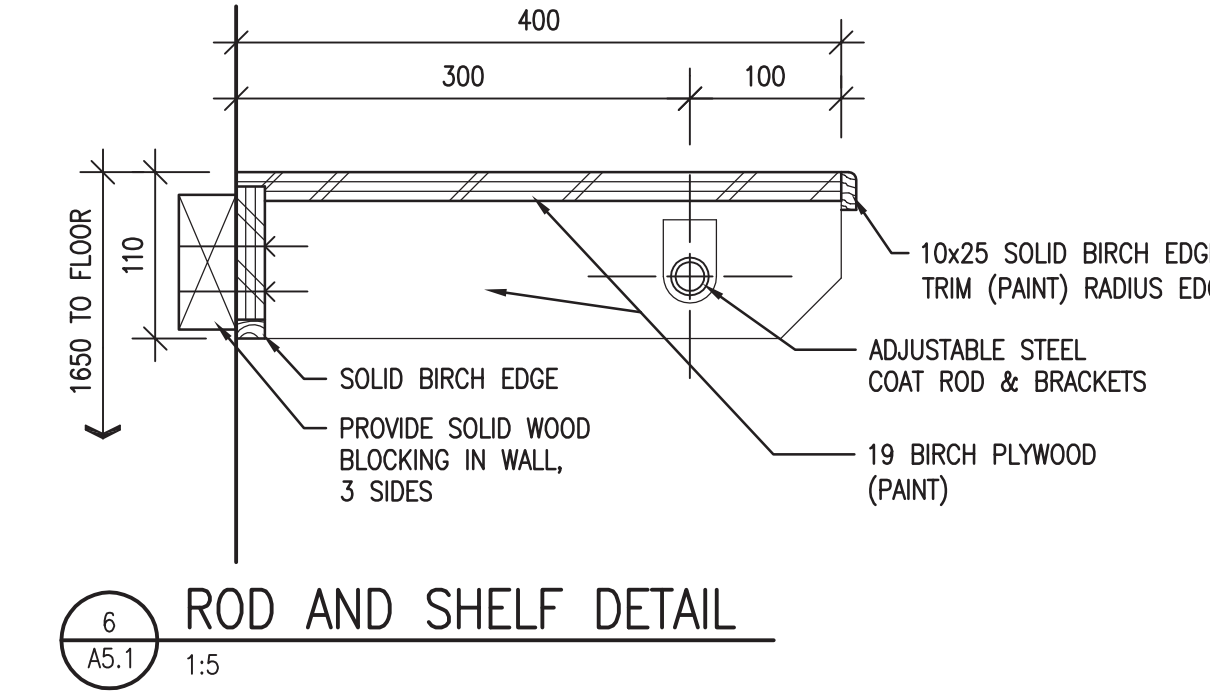


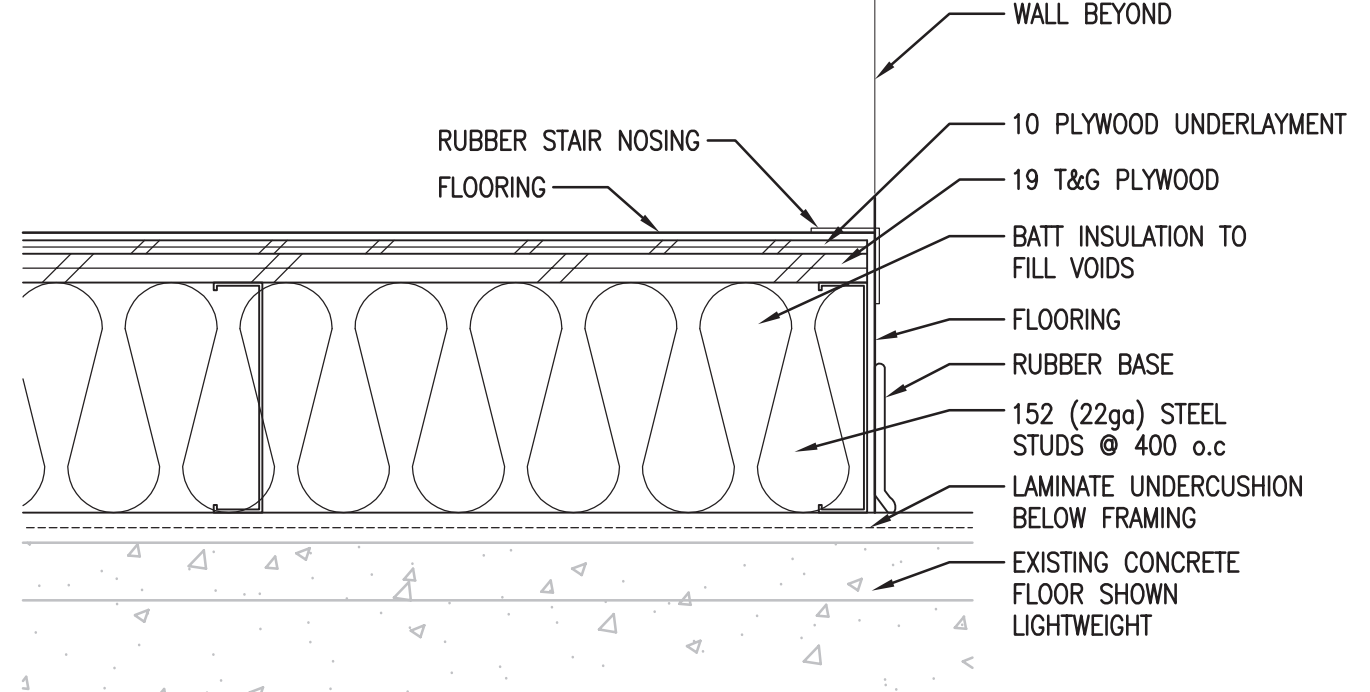
1 AS.1 MILLWORK DETAILS
1:10



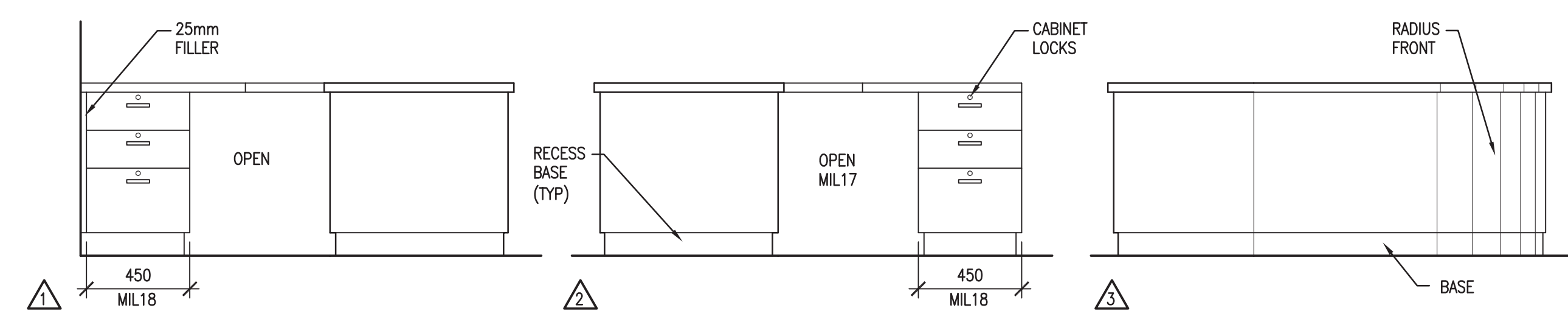
5 AS.1 SHELF DETAIL
1:5



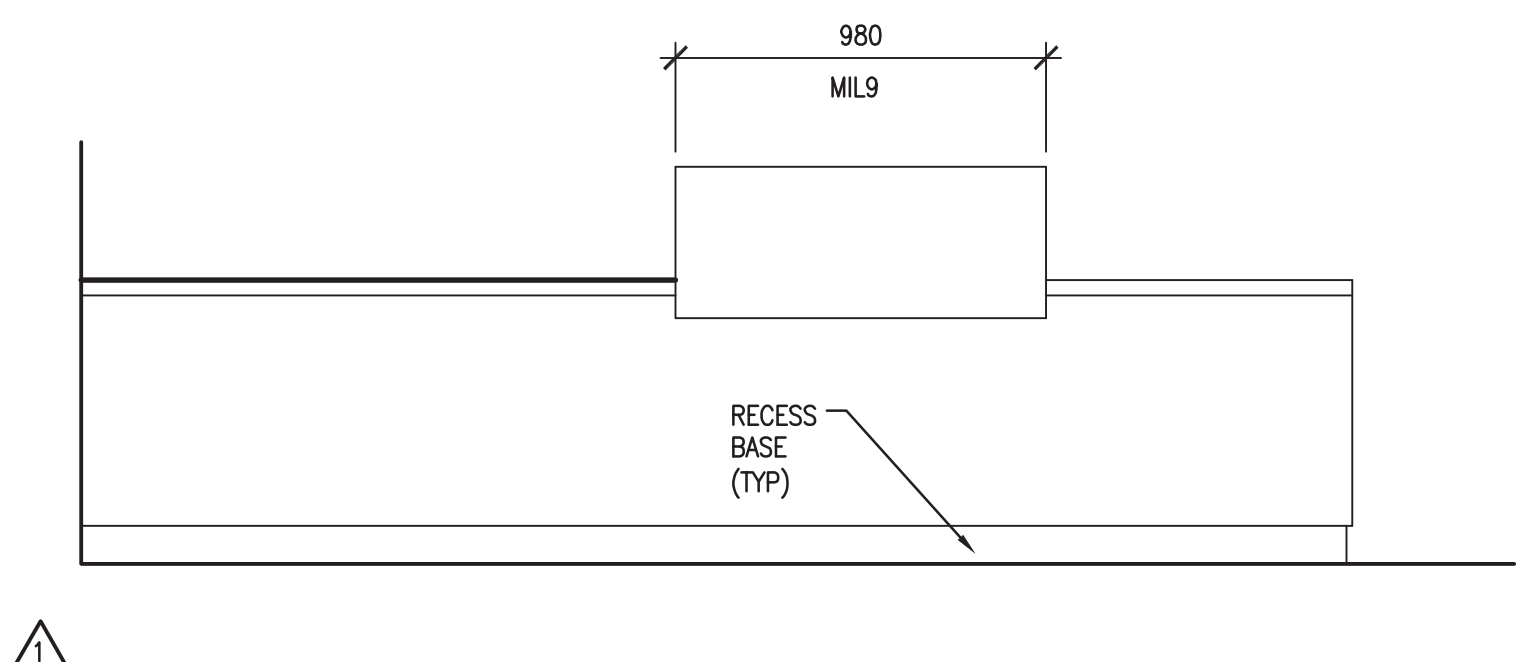
6 AS.1 ROD AND SHELF DETAIL
1:5



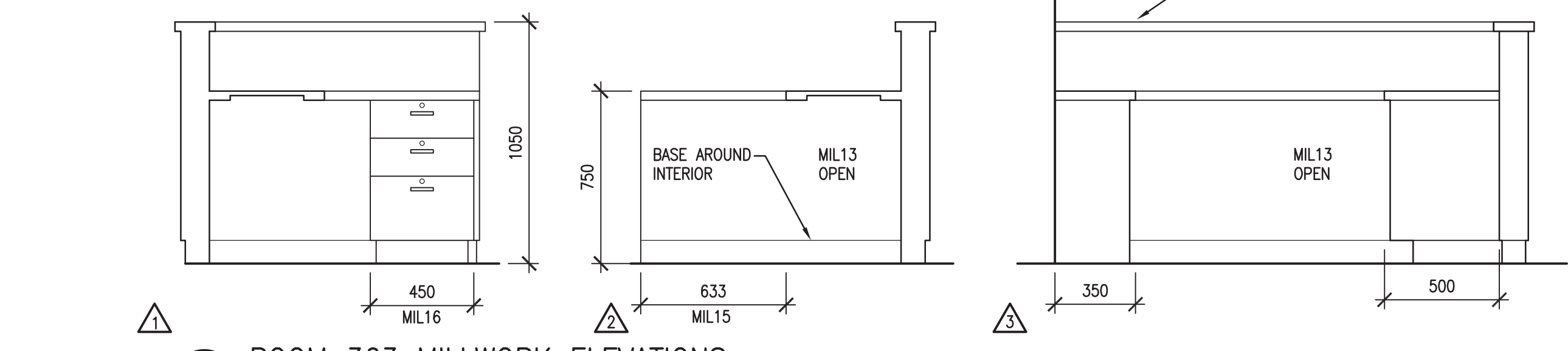
7 A4.1 ROOM 333 FLOOR DETAIL
1:5



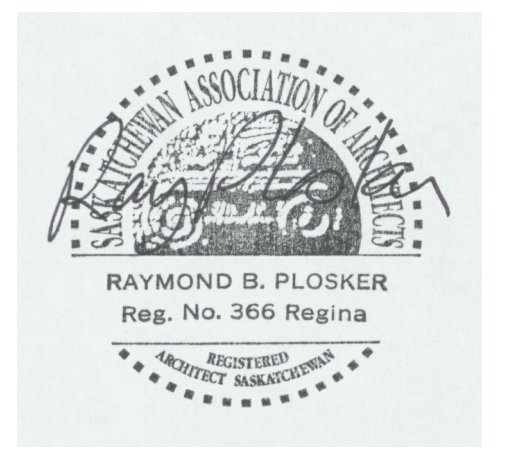
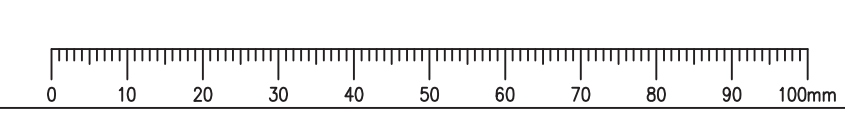
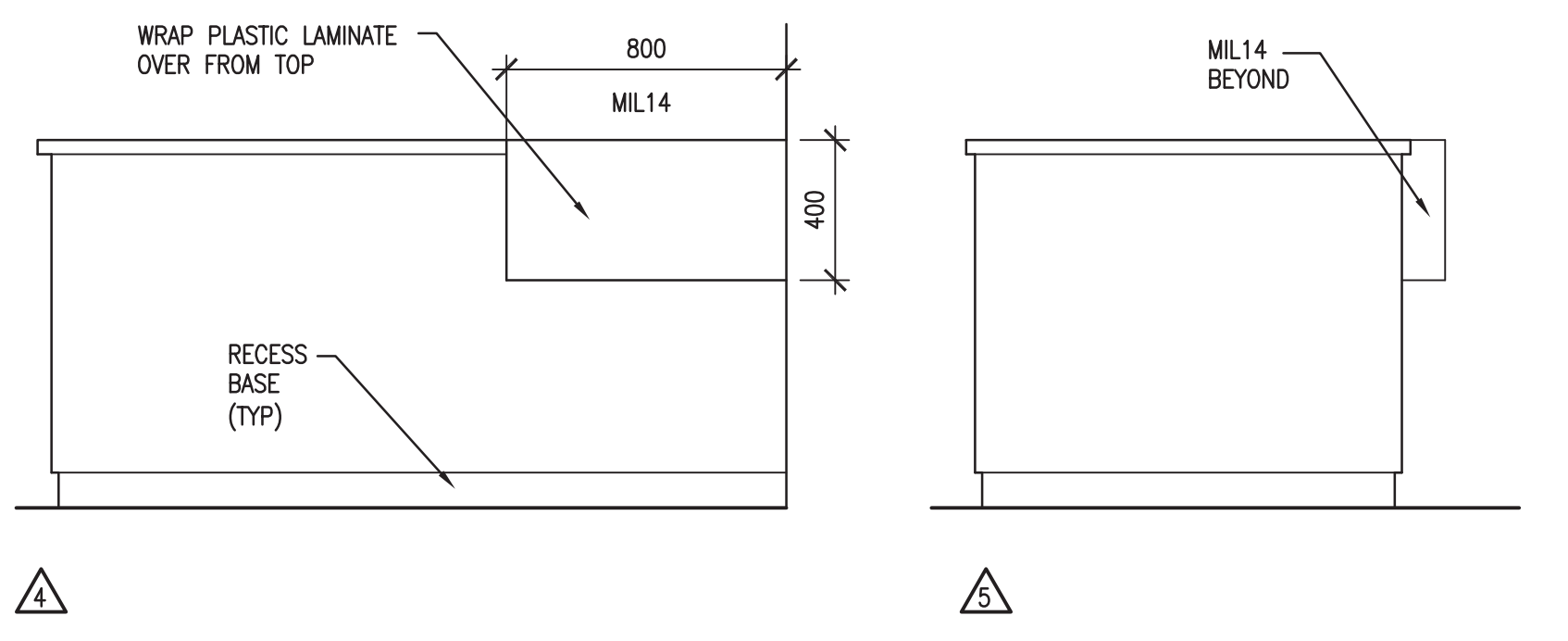
2 A4.1 ROOM 316 MILLWORK ELEVATIONS
1:20



3 A4.1 ROOM 362 MILLWORK ELEVATION
1:20



4 A4.1 ROOM 363 MILLWORK ELEVATIONS
1:20



DO NOT SCALE DRAWINGS

Revision/Revisions	Description/Description	Date/Date
0	ISSUED FOR TENDER	2014-01-17

Project title/Titre du projet

**SHARED LEARNING FACILITY
REGINA, SK**

Approved by/Approve par

Designed by/Concept par
RP

Drawn by/Dessiné par
RHM/RP

Project Manager/Administrateur de Projets
AC

Architectural and Engineering Resources Manager/
Ressources Architectural et de Directeur d'ingénierie

Client/client

Drawing title/Titre du dessin

MILLWORK DETAILS