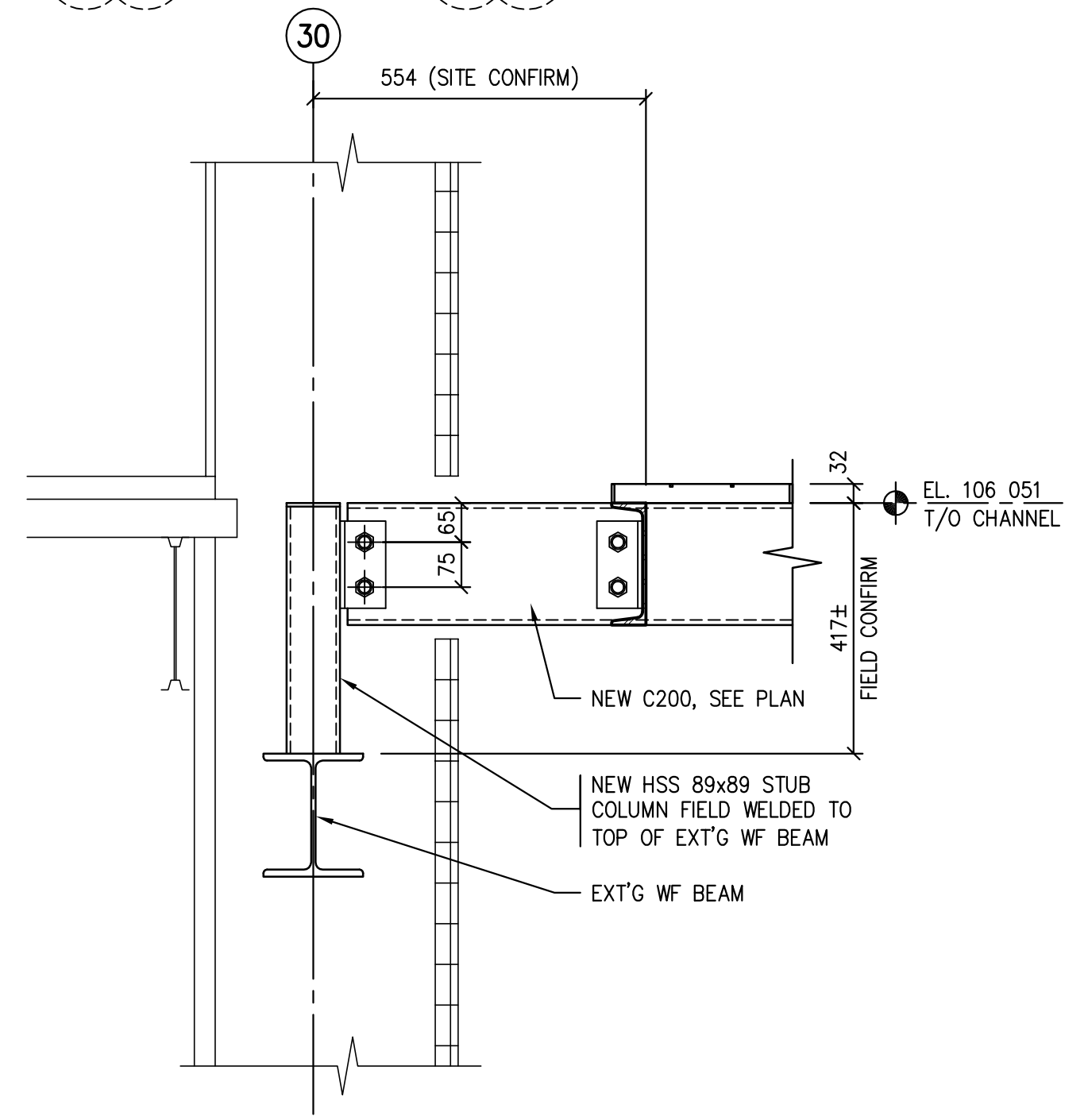


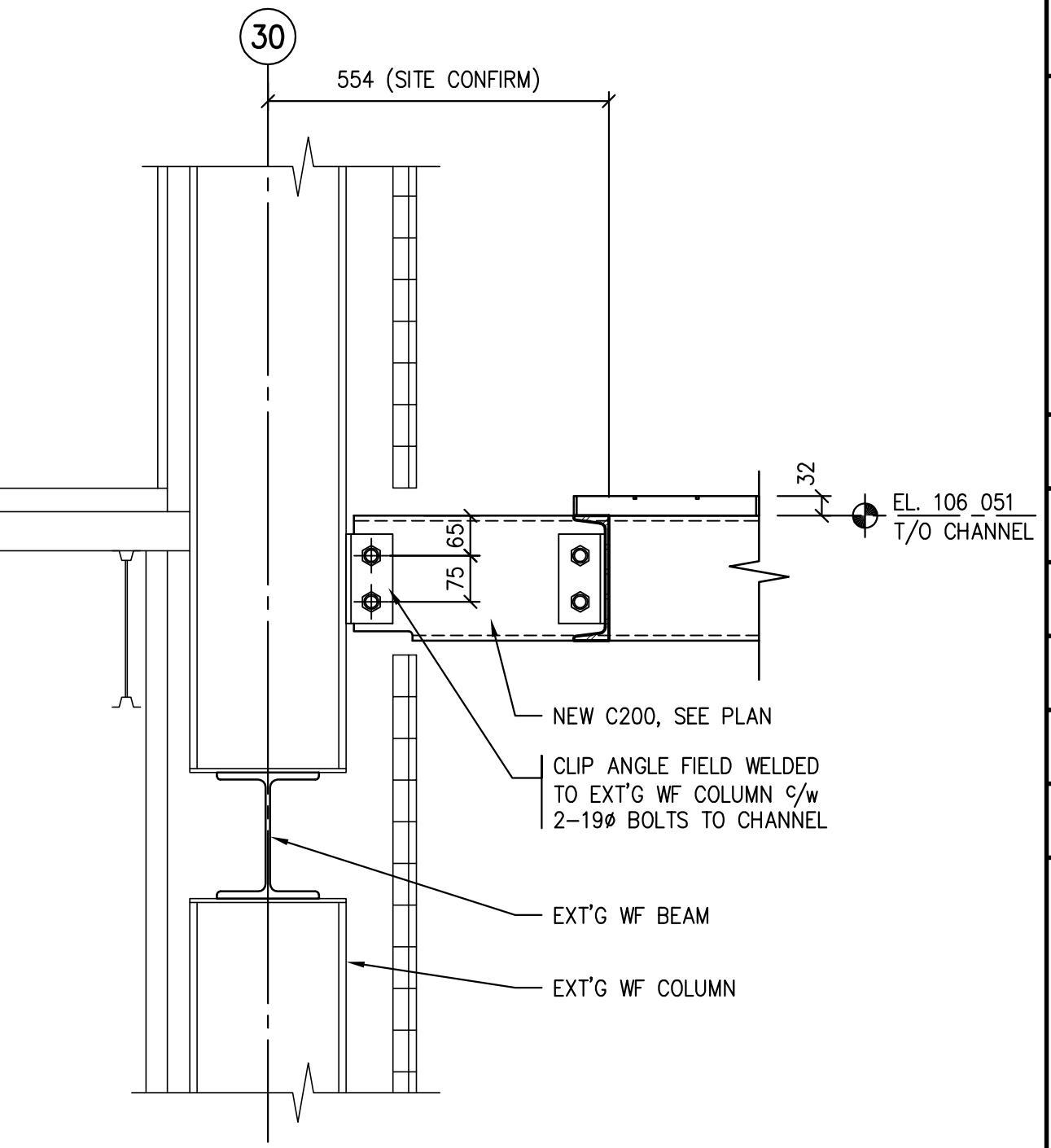
1 ELEVATION
1:20

2 ELEVATION
1:20

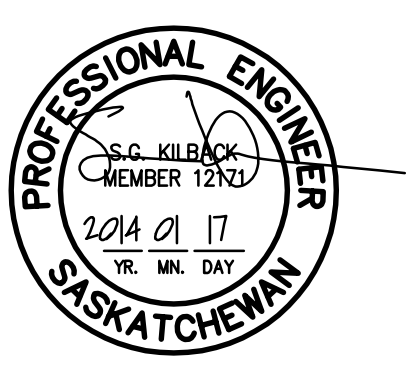
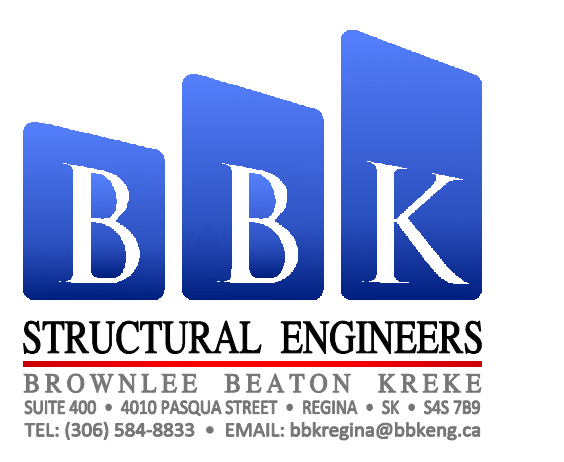
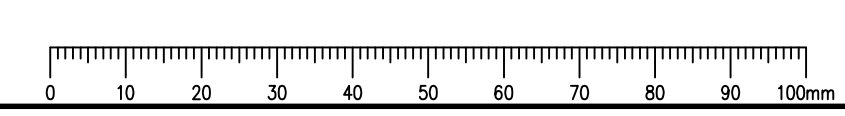
- NOTE:
1. TYPICAL STAIR STRINGER TO BE C250x23 U.N.O.
 2. HAND AND GUARDRAIL HORIZONTAL MEMBERS TO BE FROM DN40 STD. WALL HSS PIPE. VERTICAL MEMBERS TO BE FROM DN50 STD. WALL PIPE. ALL PIPE TO BE 240MPa.
 3. ALL CONNECTIONS TO BE BOLTED UNLESS APPROVED.
 4. TYPICAL STAIR TREAD TO BE STANDARD GRATING 25x4.8 BEARING BARS TYPE 19-4 5/8 ABRASIVE NOSING, GALVANIZED.
 5. TYPICAL LANDING GRATING TO BE STANDARD GRATING 32x4.8 BEARING BARS TYPE 19-4 BANDED, GALVANIZED.



3 CONNECTION TO EXISTING BEAM - TYPICAL
1:10



4 CONNECTION TO EXISTING COLUMNS - TYPICAL
1:10



Association of Professional Engineers & Geoscientists of Saskatchewan
CERTIFICATE OF AUTHORIZATION
 BROWNLEE BEATON KREKE (REGINA) LTD.
 NUMBER 525
 PERMISSION TO CONSULT HELD BY:
 DISCIPLINE STRUCTURAL 12171 SIGNATURE SKK

Revision/Description	Date/Date
0 ISSUED FOR TENDER	2014-01-17

Project title/Titre du projet
REGINA, SK
SHARED LEARNING FACILITY

Approved by/Approuvé par
 SK
 Designed by/Concept par
 CS / DL
 Project Manager/Administrateur de Projets
 AC
 Architectural and Engineering Resources Manager/
 Ressources Architecturales et de Directeur d'ingénierie

Drawing title/Titre du dessin
CATWALK & STAIR ELEVATION DETAILS

Project No./No. du projet
05-2013
 Sheet/Feuille
S6
 Revision no./La Révision no.
0