

AGRICULTURE and AGRI-FOOD CANADA

CEF, BUILDING #56

EMERGENCY GENERATOR ADDITION

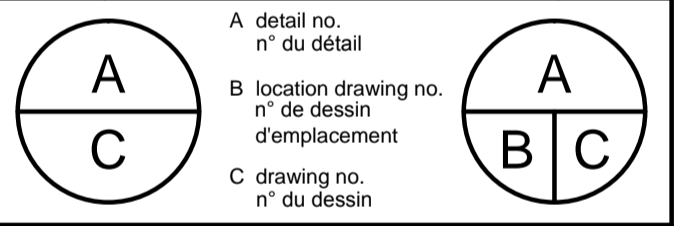
ELECTRICAL

Contractor to verify all dimensions & conditions on site and immediately notify the engineer of all discrepancies.

DRAWING LIST
ELECTRICITY
E001 - SITE PLAN AND LEGEND
E100 - GENERATOR DETAILS
ET01 - PARTIAL BASEMENT, GROUND FLOOR PLANS, SINGLE LINE DIAGRAMS

LEGEND	
△	HIGH VOLTAGE CABLE POTHEAD
◇	HIGH VOLTAGE CABLE STRESS CONE
•	LOW VOLTAGE CABLE CONNECTION
	LOAD BREAK SWITCH
	CURRENT TRANSFORMER
	POTENTIAL TRANSFORMER
	DISTRIBUTION TRANSFORMER
	DIGITAL METERING SYSTEM
	FUSE
	MOULDED CASE CIRCUIT BREAKER
	GROUND CONNECTIONS
	GENERATOR
ATS	AUTOMATIC TRANSFER SWITCH
PROVIDE	SUPPLY, INSTALL AND CONNECT
	DISCONNECT SWITCH
	TRANSFORMER SIZE AS INDICATED
	ELECTRICAL PANELBOARD
Φ	15 AMP. 125 VOLT DUPLEX RECEPTACLE 5-15R, - 300mm AFF
⚡	SINGLE POLE TOGGLE SWITCH
⊙	LIGHTING FIXTURE - WALL
○	LIGHTING FIXTURE - CEILING
	ALARM STROBE / HORN

revisions	description	date
2	ISSUED FOR TENDER	2014/2/04
1	ISSUED FOR REVIEW	2014/01/23



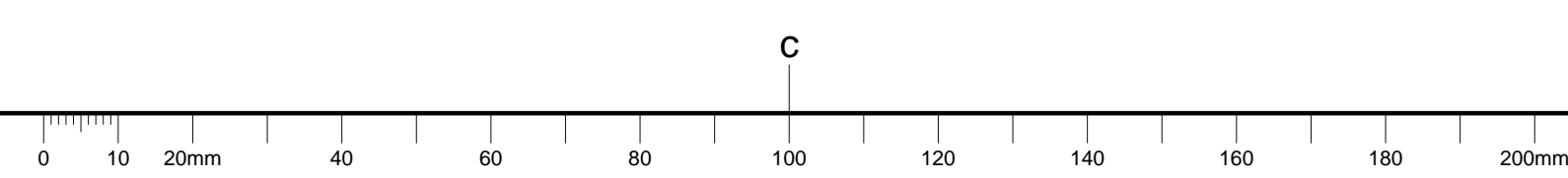
project projet

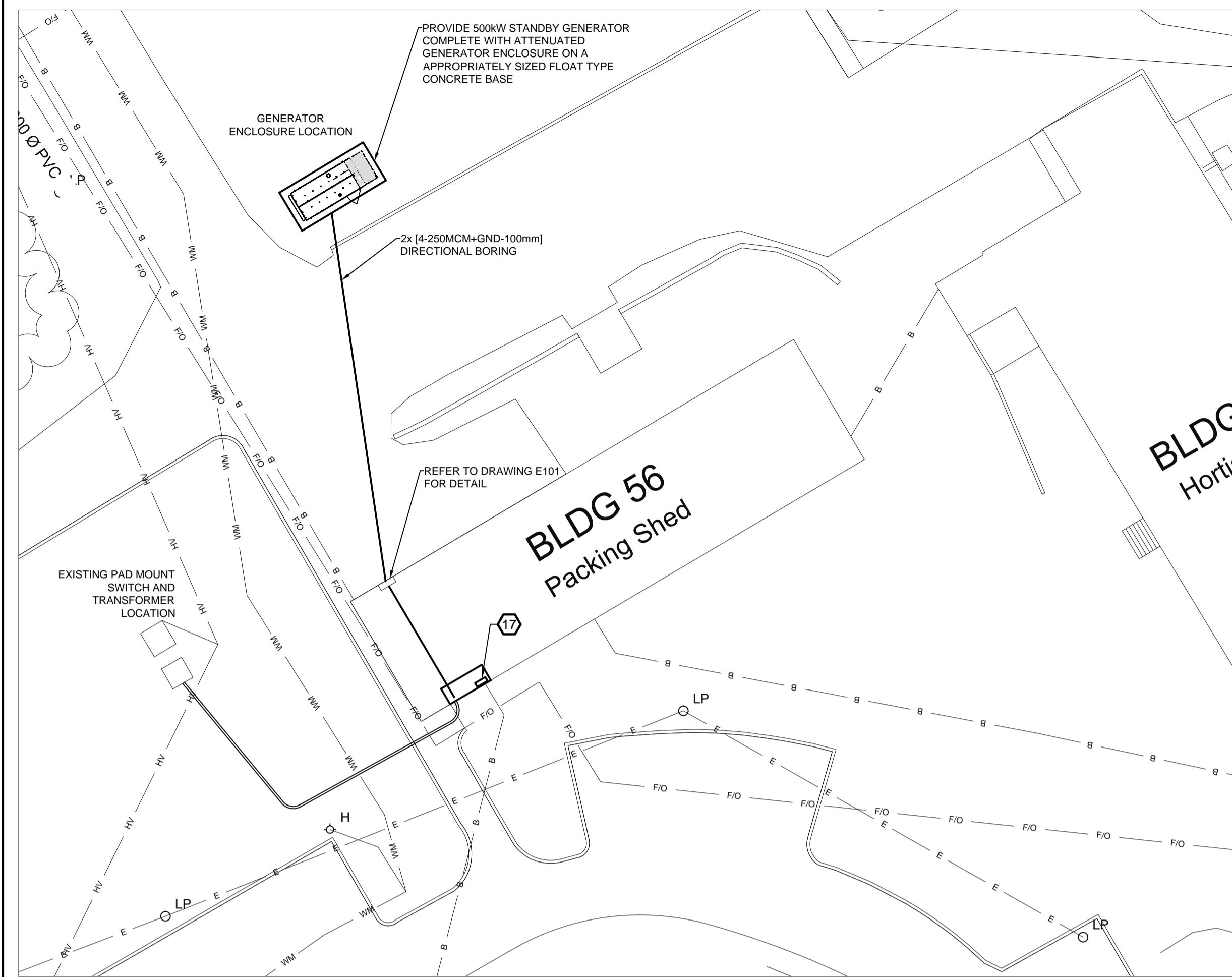
**CEF, BUILDING #56
EMERGENCY GENERATOR
ADDITION**

960 Carling Ave., Ottawa (Ontario)

DRAWINGS LIST AND LEGEND

Designed By	K. Sellathurai	Conçu par
Date	November 2013	(yyyy/mm/dd)
Drawn By	Y. Farmer	Dessiné par
Date	November 2013	(yyyy/mm/dd)
Reviewed By	S. Lavoie	Examiné par
Date	-	(yyyy/mm/dd)
Approved By	S. Lavoie	Approuvé par
Date	-	(yyyy/mm/dd)
Tender	Anthony Cesare	Soumission
Project Manager		Administrateur de projets
Project no.		n° de projet
	13-1329	
Drawing no.		n° du dessin
	E001	

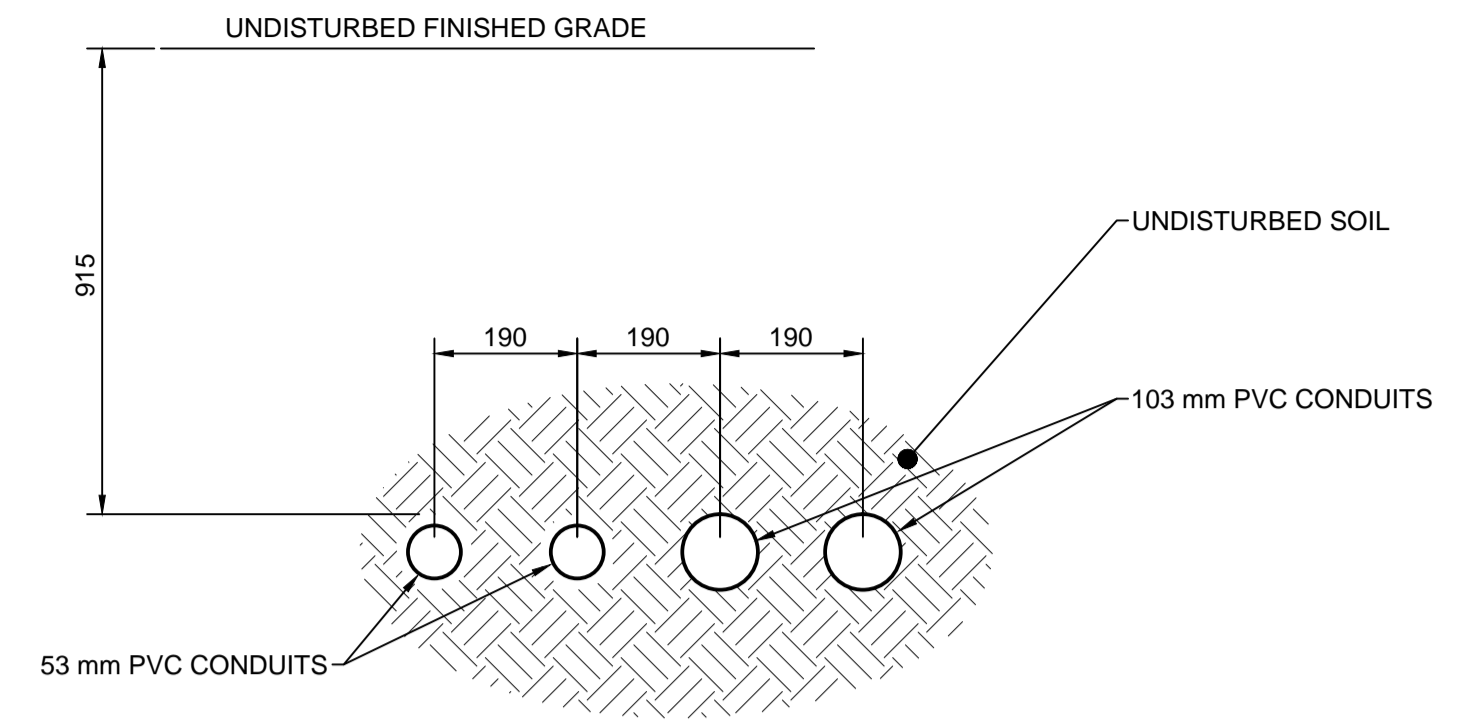




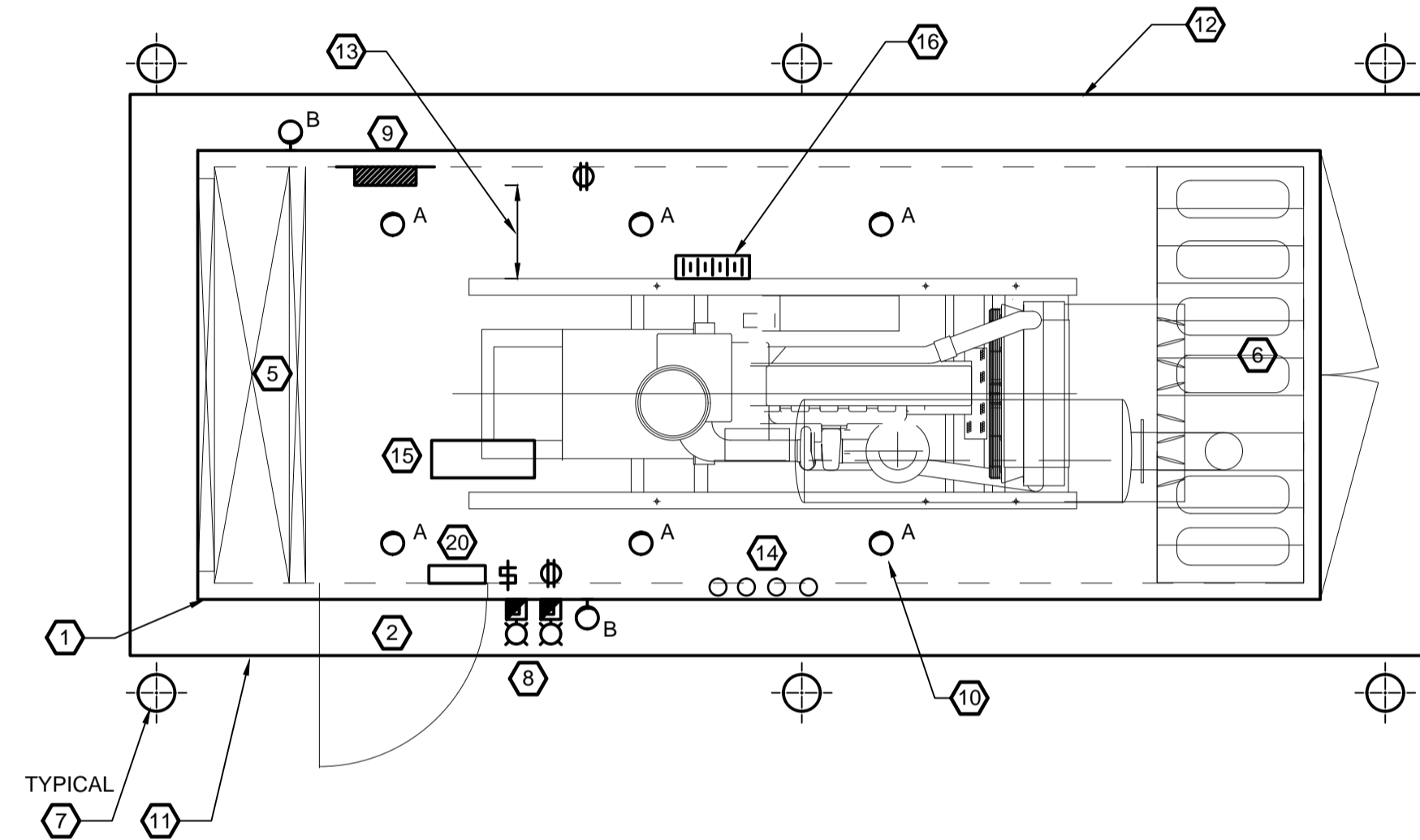
1 SITE PLAN
E100 SCALE 1:250

DETAIL NOTES:

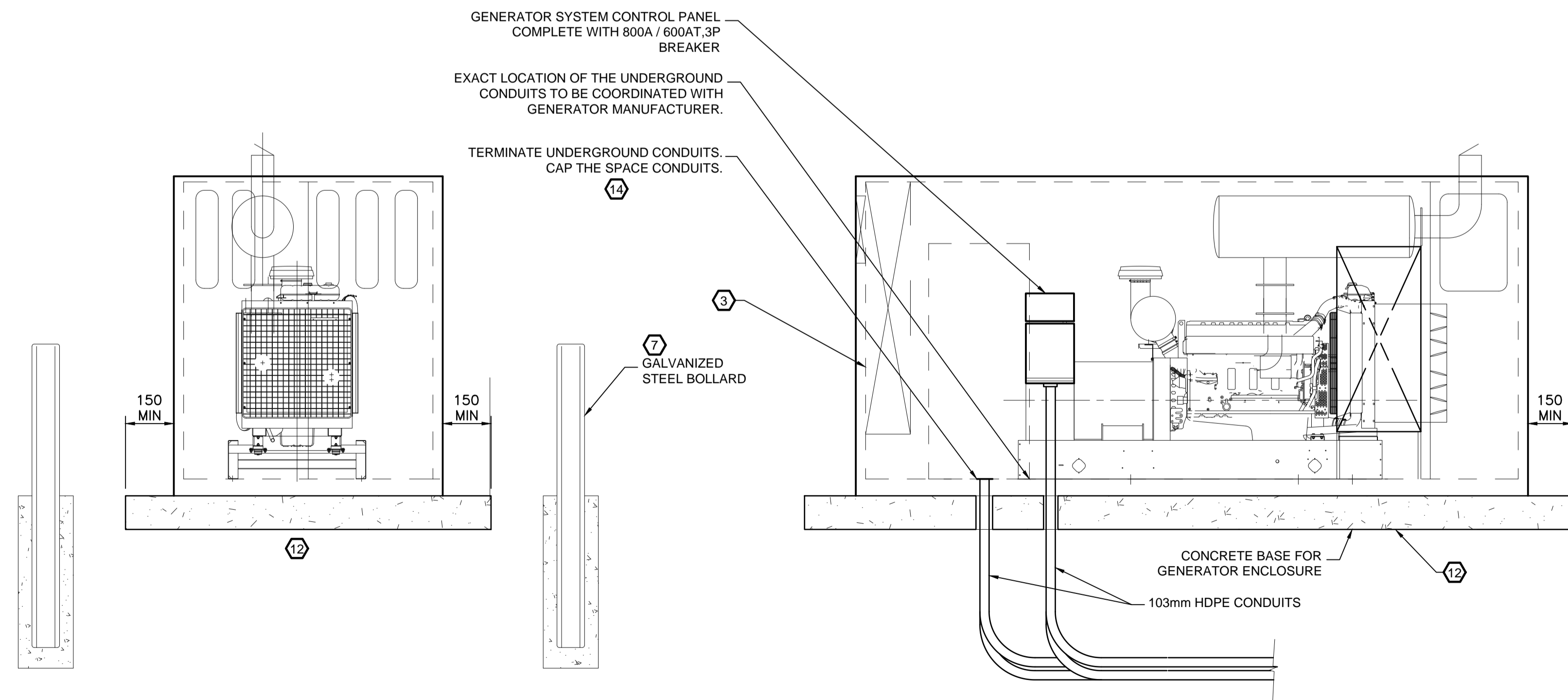
- 1 SKIP MOUNTED FUEL TANK COMPLETE WITH FUEL PUMPS.
- 2 DOOR (914 X 2133)
- 3 STRUCTURAL LOUVER (610 X 2133)
- 4 MOTORIZED DAMPER
- 5 INTAKE SILENCER
- 6 VERTICAL DISCHARGE PLENUM WITH AIR BAFFLE
- 7 200mm DIAMETER GALVANIZED STEEL BOLLARD.
- 8 PROVIDE CONTROL WIRING AS REQUIRED AND CONNECT THE STROBE/ HORN TO WARN THE GENERATOR ON ALARM. REFER TO SPECIFICATION FOR DETAIL.
- 9 PROVIDE 100A, 120/208V, 3Ø, 4W, 24 CIRCUIT PANELBOARD AND A 15kVA, 600-120/208V TRANSFORMER, 3ØA, 3P DISCONNECT SWITCH FOR MISCELLANEOUS EMERGENCY POWER IN GENERATOR ENCLOSURE AS REQUIRED.
- 10 VAPOUR TIGHT LED LIGHT FIXTURE COMPLETE WITH GLOBE MOUNTED ON THE ENCLOSURE. PROVIDE EMERGENCY POWER CONNECTION.
- 11 EXTERIOR WALL MOUNTED LED WALLPACK UNIT COMPLETE WITH PHOTOCELL TO LIGHT DUSK TO DAWN.
- 12 CONCRETE BASE FOR GENERATOR AND FUEL TANK ENCLOSURE.
- 13 PROVIDE 1 METER CLEARANCE FOR ALL THE ELECTRICAL EQUIPMENT FOR SERVICES AND MAINTENANCE WITHIN THE ENCLOSURE. PROVIDE MINIMUM 2.1 METER CLEARANCE HEIGHT FOR ALL PIPING IN THE ENCLOSURE.
- 14 LOCATION FOR UNDERGROUND CONDUIT TERMINATION.
- 15 GENERATOR SYSTEM CONTROL PANEL COMPLETE WITH BREAKER. CONNECT TO UNDERGROUND CONDUIT FEEDER FROM BELOW.
- 16 PROVIDE BATTERY AND CHARGER. PROVIDE EMERGENCY POWER CONNECTION AS REQUIRED.
- 17 NEW GENERATOR REMOTE MONITORING. SEE DRAWING E101.



2 TYPICAL CROSS SECTION DETAIL
E100 DIRECTIONAL BORING INSTALLATION
NOT TO SCALE



3 GENERATOR ENCLOSURE PLAN VIEW DETAIL
E100 NOT TO SCALE



4 GENERATOR ATENUATED ENCLOSURE ELEVATION DETAIL
E100 NOT TO SCALE

Contractor to verify all dimensions & conditions on site and immediately notify the engineer of all discrepancies.

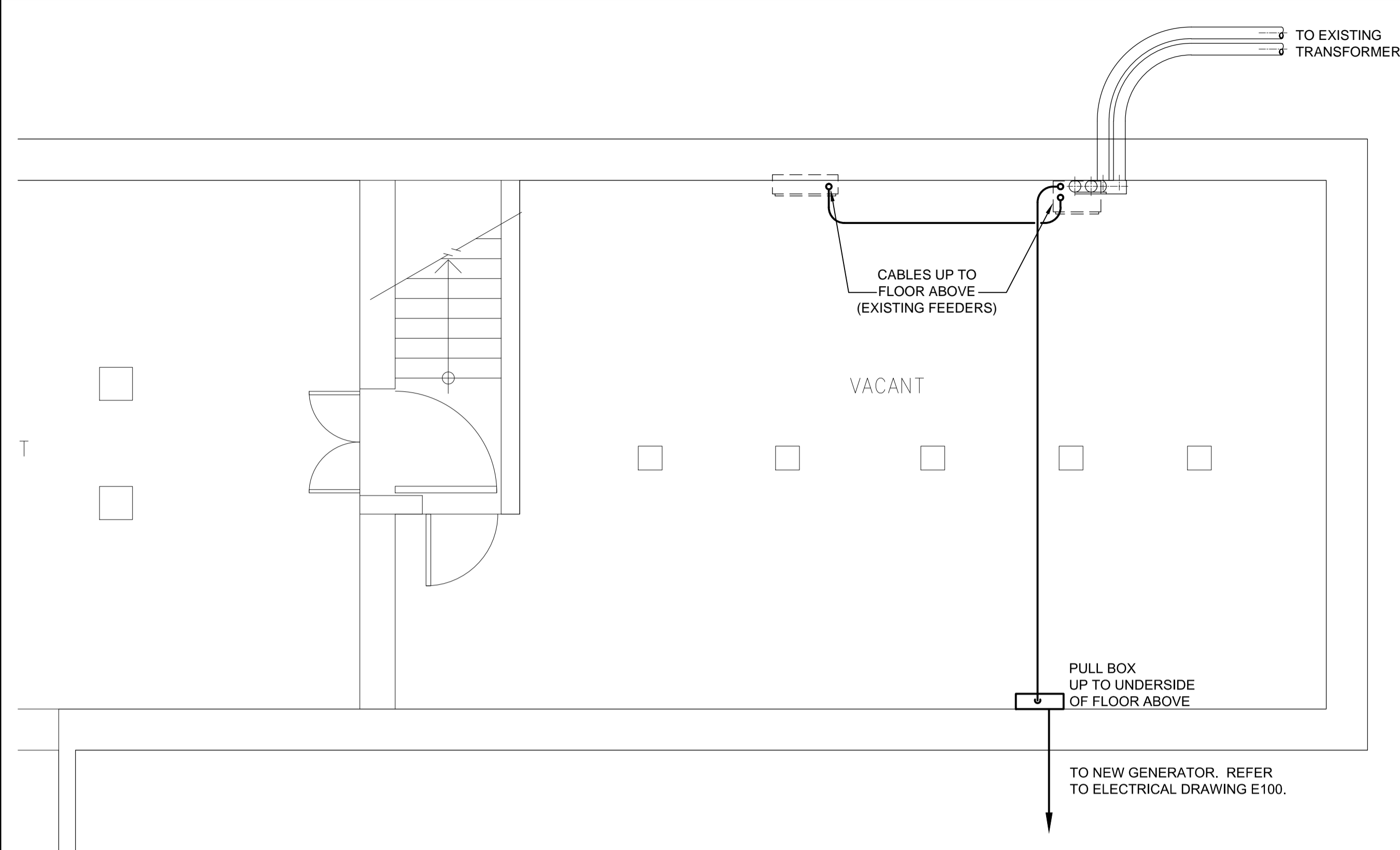
revisions	description	date
2	ISSUED FOR TENDER	2014/2/04
1	ISSUED FOR REVIEW	2014/01/23

A	B	C
A detail no. n° du détail	B location drawing no. n° de dessin d'emplacement	C drawing no. n° du dessin

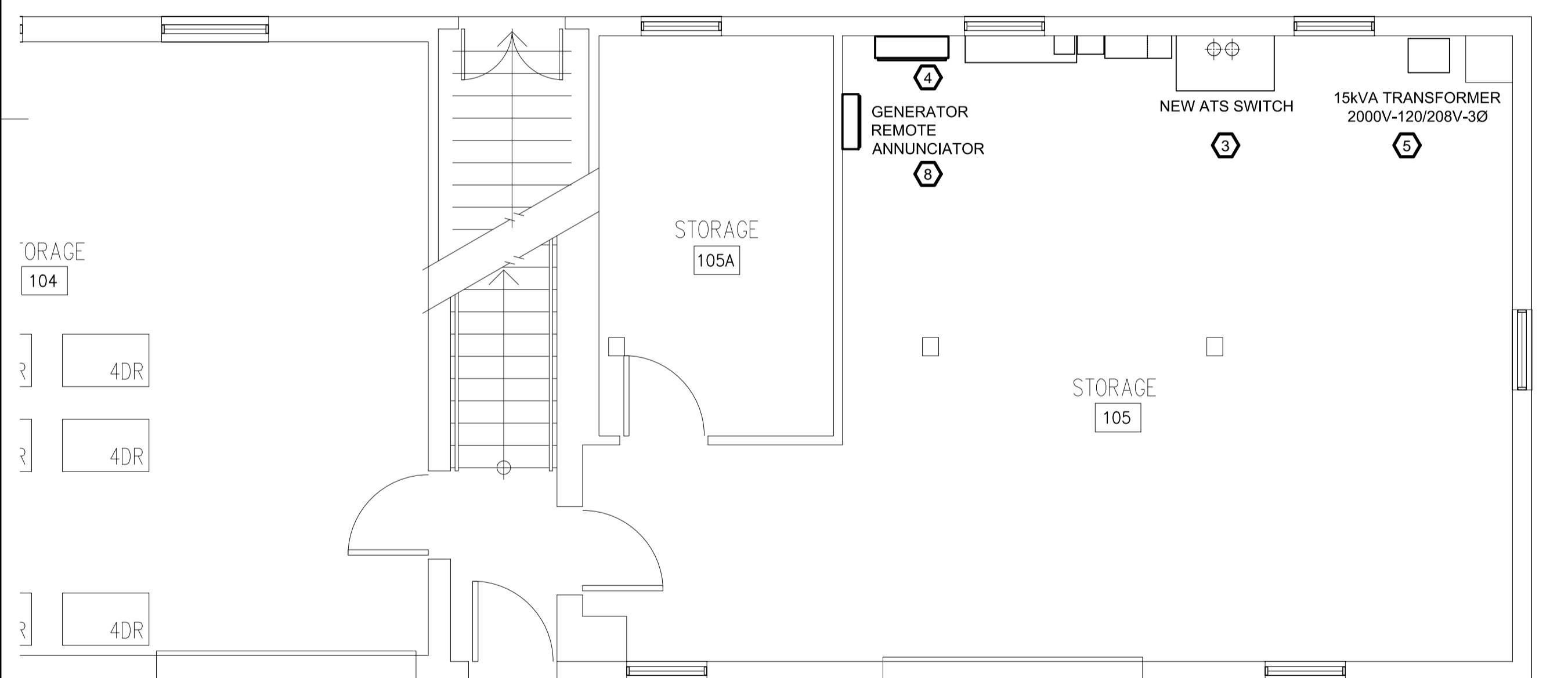
project CEF, BUILDING #56
EMERGENCY GENERATOR
ADDITION
960 Carling Ave., Ottawa (Ontario)

**SITE PLAN AND
GENERATOR DETAILS**

Designed By	K. Sellathurai	Conçu par	November 2013
Date	November 2013	(yyyy/mm/dd)	
Drawn By	Y. Farmer	Dessiné par	November 2013
Date	November 2013	(yyyy/mm/dd)	
Reviewed By	S. Lavoie	Examiné par	-
Date	-	(yyyy/mm/dd)	
Approved By	S. Lavoie	Approuvé par	-
Date	-	(yyyy/mm/dd)	
Tender	Anthony Cesare	Soumission	
Project Manager	Administrateur de projets		
Project no.	13-1329	n° de projet	
Drawing no.	E100	n° de dessin	

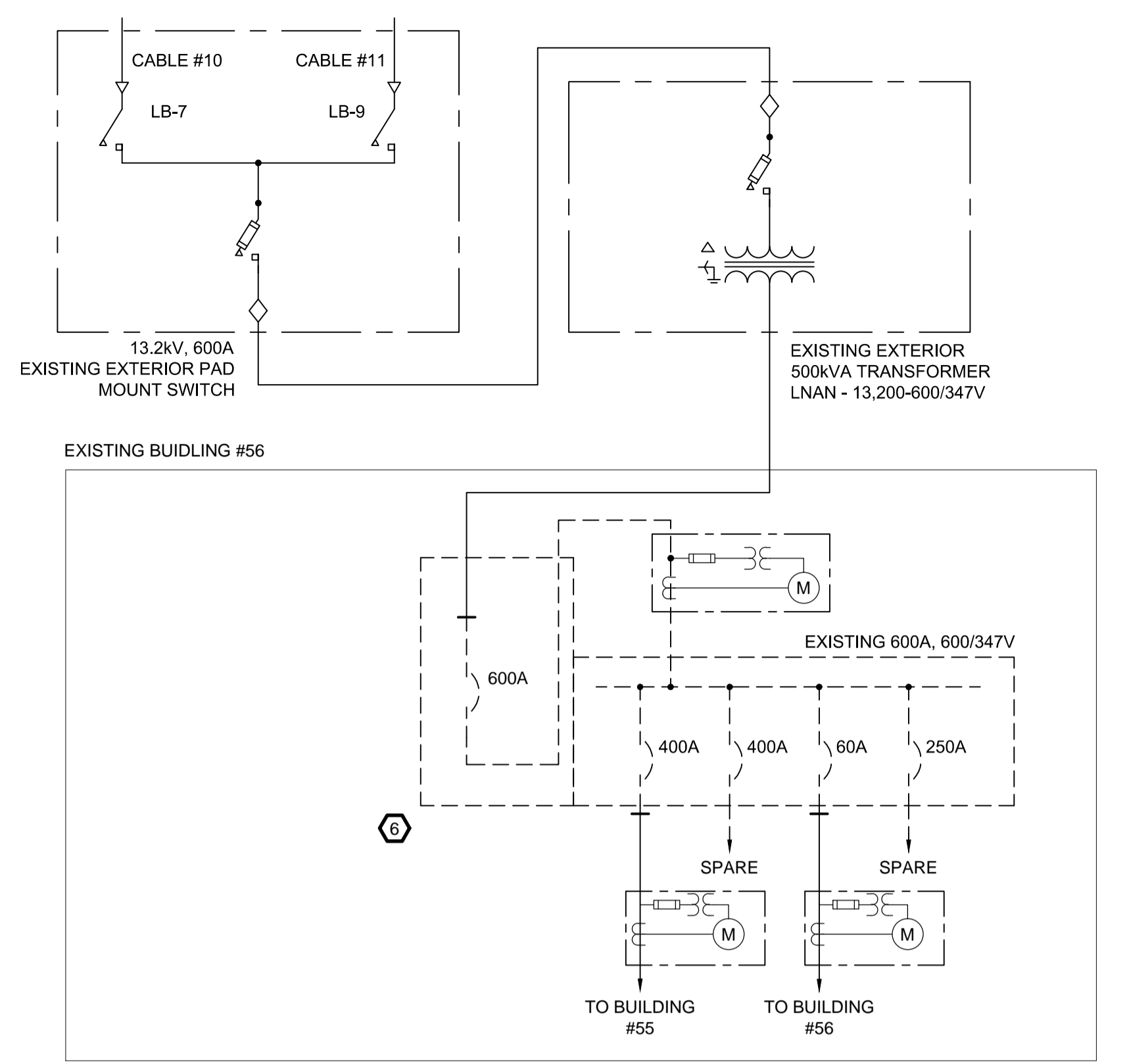


1 PARTIAL BASEMENT FLOOR PLAN
 SCALE 1:50

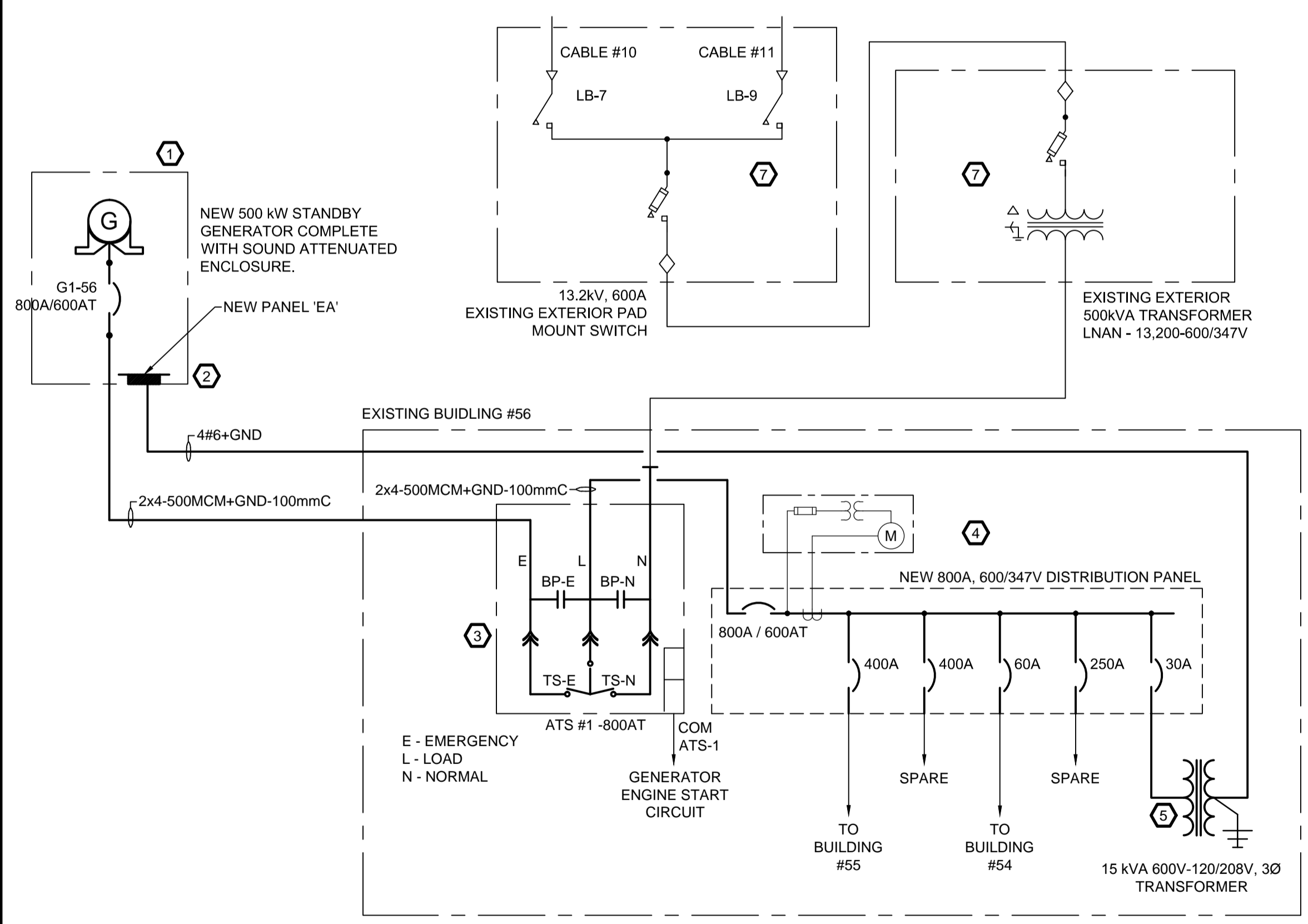


- DRAWING NOTES:**
- 1 PROVIDE 500kW 347/600V 3Ø 4W STANDBY GENERATOR IN A SOUND ATTENUATED WALK-IN ENCLOSURE C/W FUEL TANK.
 - 2 PROVIDE ELECTRICAL PANEL 100A, 120/208V 3Ø 4W C/W BREAKERS AND CONNECT HOUSE LIGHTING, POWER RECEPTACLES, ASSOCIATED BATTERY CHARGER AND BLOCK HEATER AS REQUIRED. LOCATE ATS SWITCH TO REUSING THE EXISTING NORMAL FEEDER FROM THE EXTERIOR PAD MOUNTED TRANSFORMER.
 - 3 PROVIDE AUTOMATIC TRANSFER SWITCH RATED 800A 347/600V 3Ø 4W C/W ISOLATION AND BYPASS SWITCH FOR NORMAL AND EMERGENCY POWER.
 - 4 PROVIDE SWITCHBOARD 800A 347/600V 3Ø 4W TRIP SET AT 600AT C/W BRANCH BREAKERS AS NOTED. REMOVE THE METER CABINET AS REQUIRED.
 - 5 PROVIDE 15kVA 600V-120/208V 3Ø TRANSFORMER AND CONNECT THE PRIMARY AND SECONDARY FEEDERS.
 - 6 DISCONNECT AND REMOVE EXISTING PANELBOARD, CONDUIT AND FEEDER AS SHOWN. RETAIN METER CABINET AND REWIRE TO THE NEW PANELBOARD AS REQUIRED.
 - 7 EXISTING EXTERIOR HIGH VOLTAGE SWITCHGEAR AND PAD MOUNTED TRANSFORMER TO REMAIN.
 - 8 REMOTE ANNUNCIATOR FOR THE GENERATOR. PROVIDE WIRING FROM GENERATOR AS REQUIRED. PROVIDE 25mmC CONDUIT INSIDE THE BUILDING AND UNDERGROUND CONDUIT AS REQUIRED FOR INSTALLATION OF CONTROL WIRING.

2 PARTIAL GROUND FLOOR PLAN
 SCALE 1:50



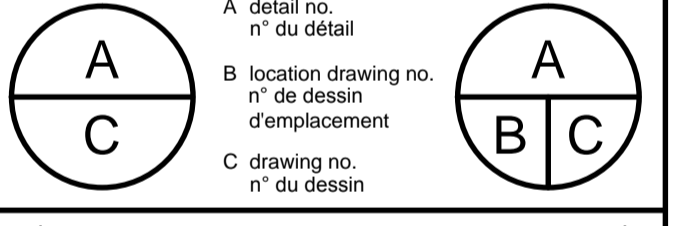
3 CURRENT DISTRIBUTION SINGLE LINE DIAGRAM
 NOT TO SCALE



4 NEW DISTRIBUTION SINGLE LINE DIAGRAM
 NOT TO SCALE

Contractor to verify all dimensions & conditions on site and immediately notify the engineer of all discrepancies.

revisions	description	date
2	ISSUED FOR TENDER	2014/2/04
1	ISSUED FOR REVIEW	2014/01/23



project: **CEF, BUILDING #56 EMERGENCY GENERATOR ADDITION**

960 Carling Ave., Ottawa (Ontario)

drawing: **PARTIAL BASEMENT, GROUND FLOOR PLANS, SINGLE LINE DIAGRAMS**

Designed By	K. Sellathurai	Conçu par	November 2013
Date	November 2013	(yyyy/mm/dd)	
Drawn By	Y. Farmer	Dessiné par	November 2013
Date	November 2013	(yyyy/mm/dd)	
Reviewed By	S. Lavoie	Examiné par	-
Date	-	(yyyy/mm/dd)	
Approved By	S. Lavoie	Approuvé par	-
Date	-	(yyyy/mm/dd)	
Tender	Anthony Cesare	Soumission	
Project Manager	Administrateur de projets		
Project no.		n° de projet	
Drawing no.		n° du dessin	