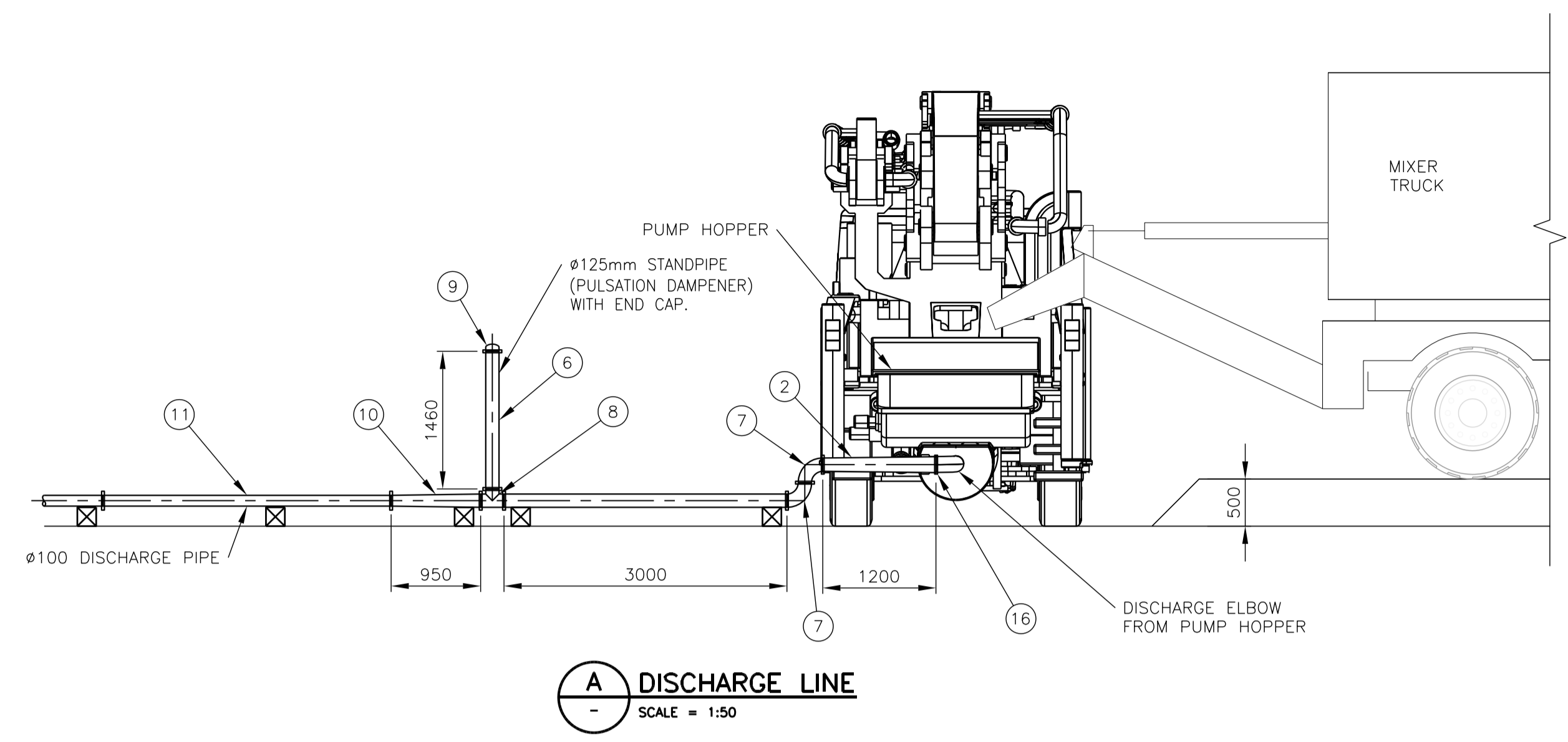


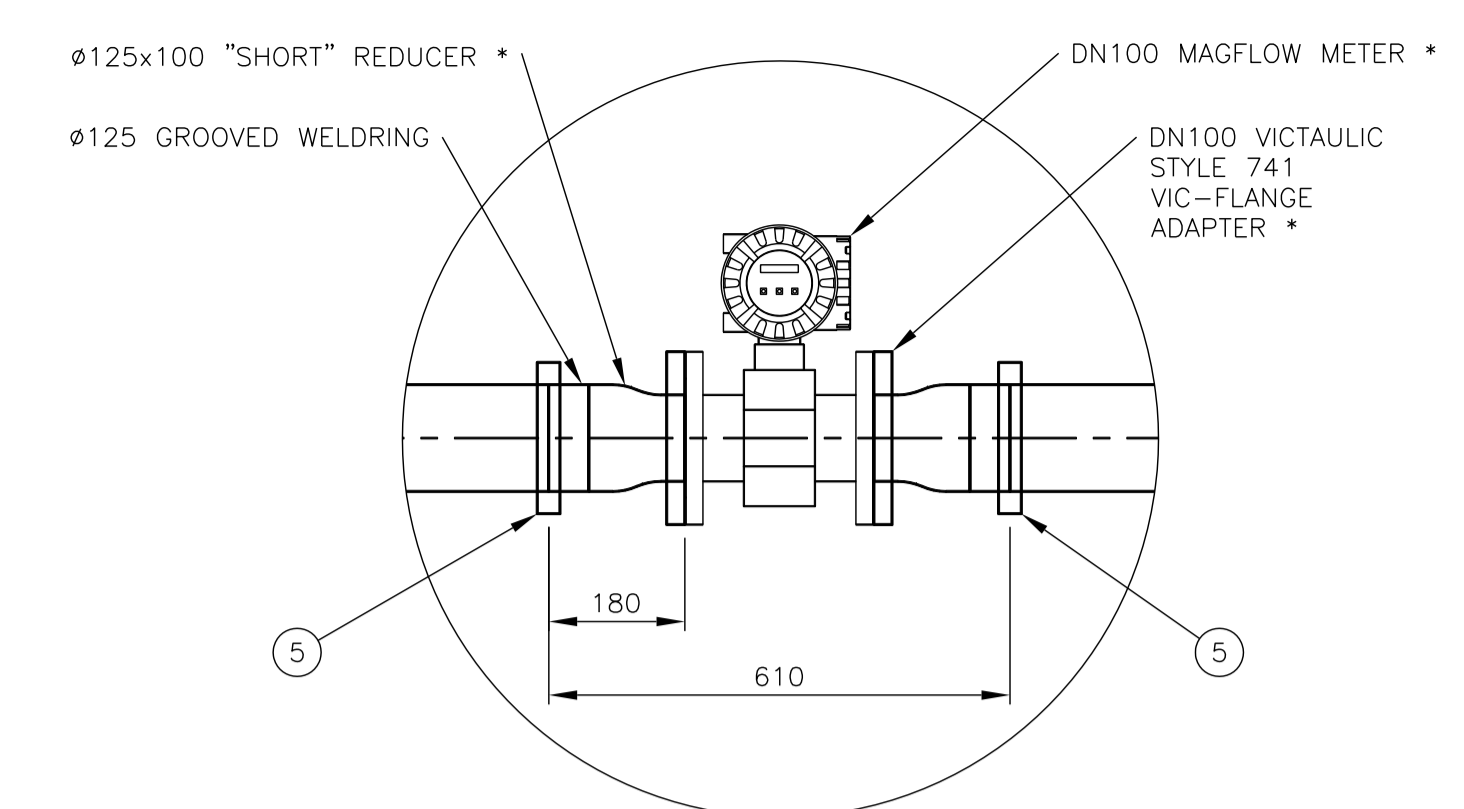


BILL OF MATERIALS		
ITEM	QTY.	DESCRIPTION
1	1	POSITIVE DISPLACEMENT PUMP
2	1	Ø150mm x Ø125mm 'LONG' REDUCER
3	12	Ø125mm SCH40 PIPE, 3m LONG
4	2	Ø125mm SCH40 TRANSDUCER SPOOL, 3m LONG
5	24	Ø125mm FIGURE 780 GROOVED SNAP COUPLING C/W GASKET
6	2	Ø125mm 1.46m LONG SPOOL PIECE
7	3	Ø125mm SCH40 90° ELBOW
8	1	Ø125mm SCH40 EQUAL TEE
9	1	Ø125mm SCH40 END CAP
10	2	Ø125mm x Ø100mm 'LONG' REDUCER
11	11	Ø100mm SCH40 PIPE 3m LONG
12	2	Ø100mm SCH40 TRANSDUCER SPOOL, 3m LONG
13	15	Ø100mm FIGURE 780 GROOVED SNAP COUPLING C/W GASKET
14	1	Ø100mm SCH40 90° ELBOW
15	1	Ø125mm X 20' LONG FLEXIBLE HOSE WITH GROOVED END FITTINGS
16	1	Ø150mm FIGURE 780 GROOVED SNAP COUPLING C/W GASKET
17	Ass't	SOURCE OF WATER FOR FLUSHING / DILUTION

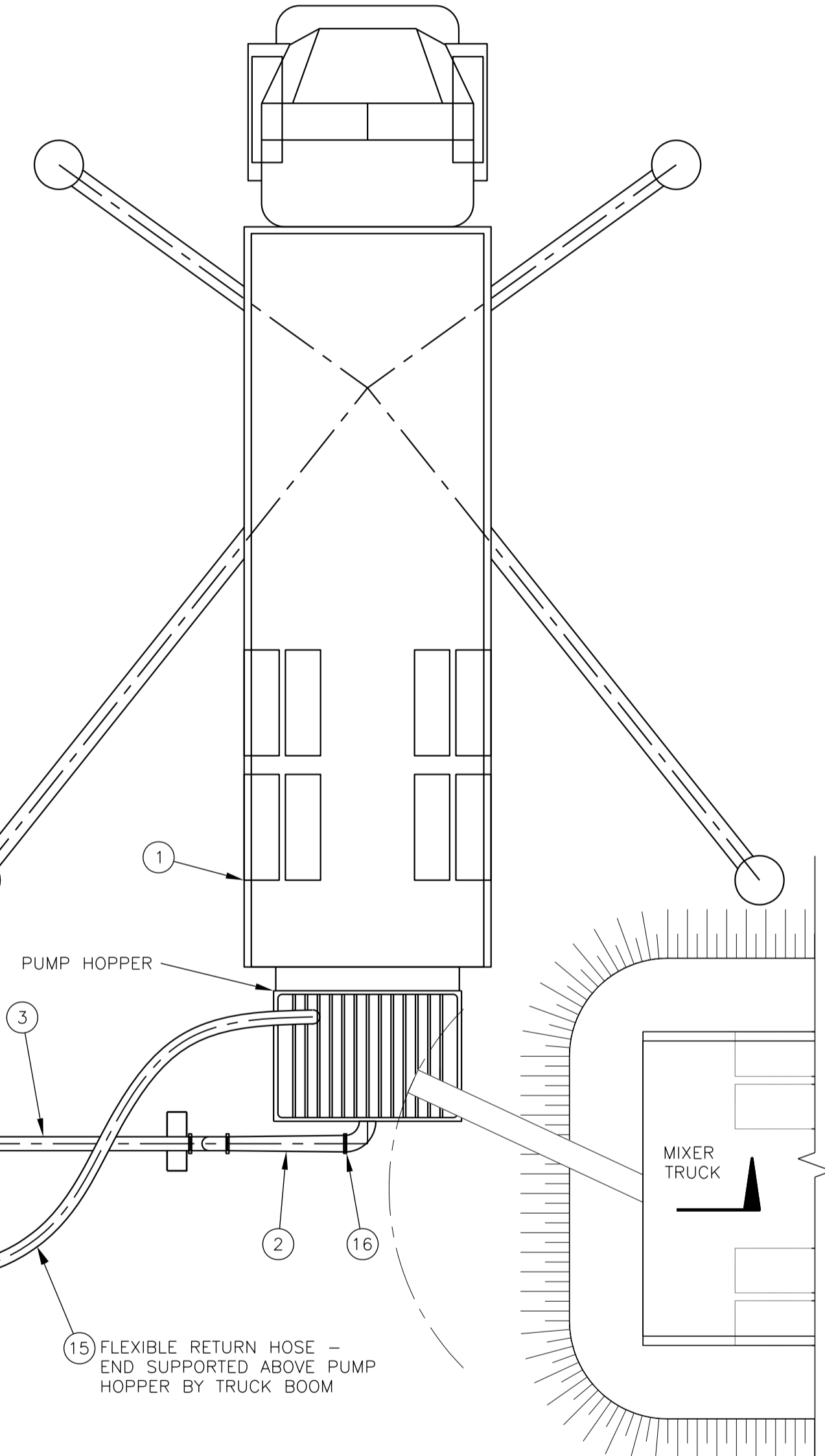
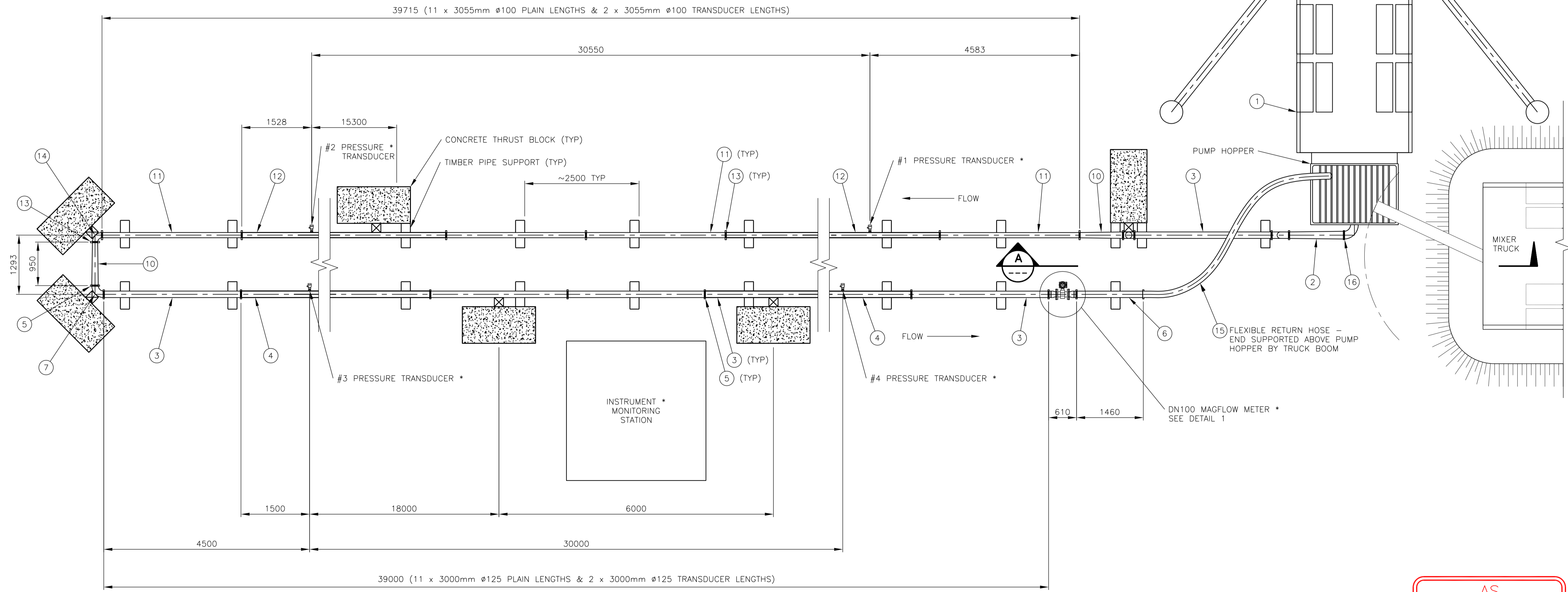
ITEMS MARKED WITH \* ARE GOLDR SUPPLY (PRESSURE TRANSDUCERS, FLOWMETER, DATA LOGGING EQUIPMENT AND WIRING TO PRESSURE TRANSDUCERS.)



**A DISCHARGE LINE**  
SCALE = 1:50



**1 DETAIL - FLOWMETER SPOOL**  
SCALE = 1:10



**AS CONSTRUCTED**

Revision	Description/Description	Date/Date
0	AS-BUILT	13-12-03

Client/client  
**PUBLIC WORKS  
GOVERNMENT SERVICES  
CANADA**

Project title/Titre du projet  
**GIANT MINE  
REMEDATION PROJECT  
YELLOWKNIFE, N.W.T.**

Approved by/Approuvé par  
**S.L.**  
Designed by/Concept par  
**J.S.**  
Drawn by/Dessiné par  
**J.S.**  
PWGSC Project Manager/Administrateur de Projets TPWGC  
**DAVE COLBOURNE**  
PWGSC, Architectural and Engineering Resources Manager/  
Ressources Architectural et de Directeur d'ingénierie, TPWGC  
Client/client  
**PWGSC**

Drawing title/Titre du dessin  
**PASTE TRIAL AREA  
FLOWLOOP  
GENERAL ARRANGEMENT  
AS CONSTRUCTED**

Project No./No. du projet	Sheet/Feuille	Revision no./La Révision no.
13-1426-0010	1 OF 1	0