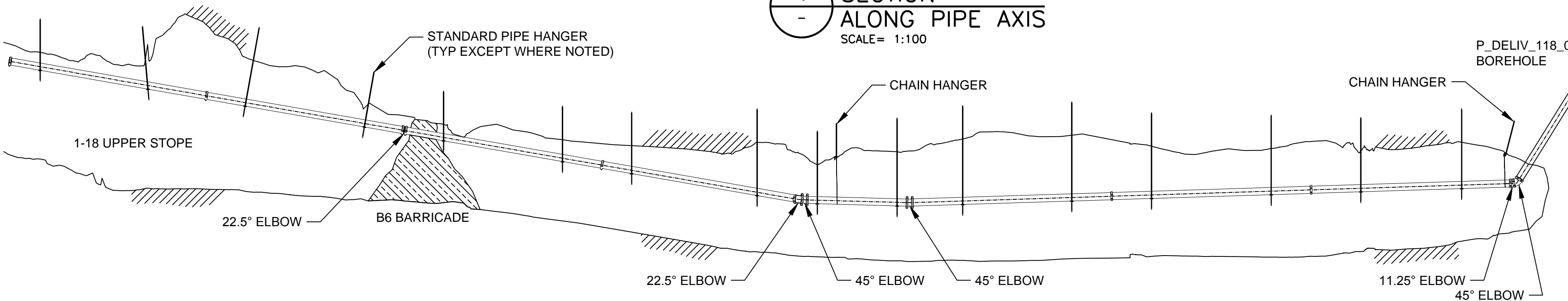
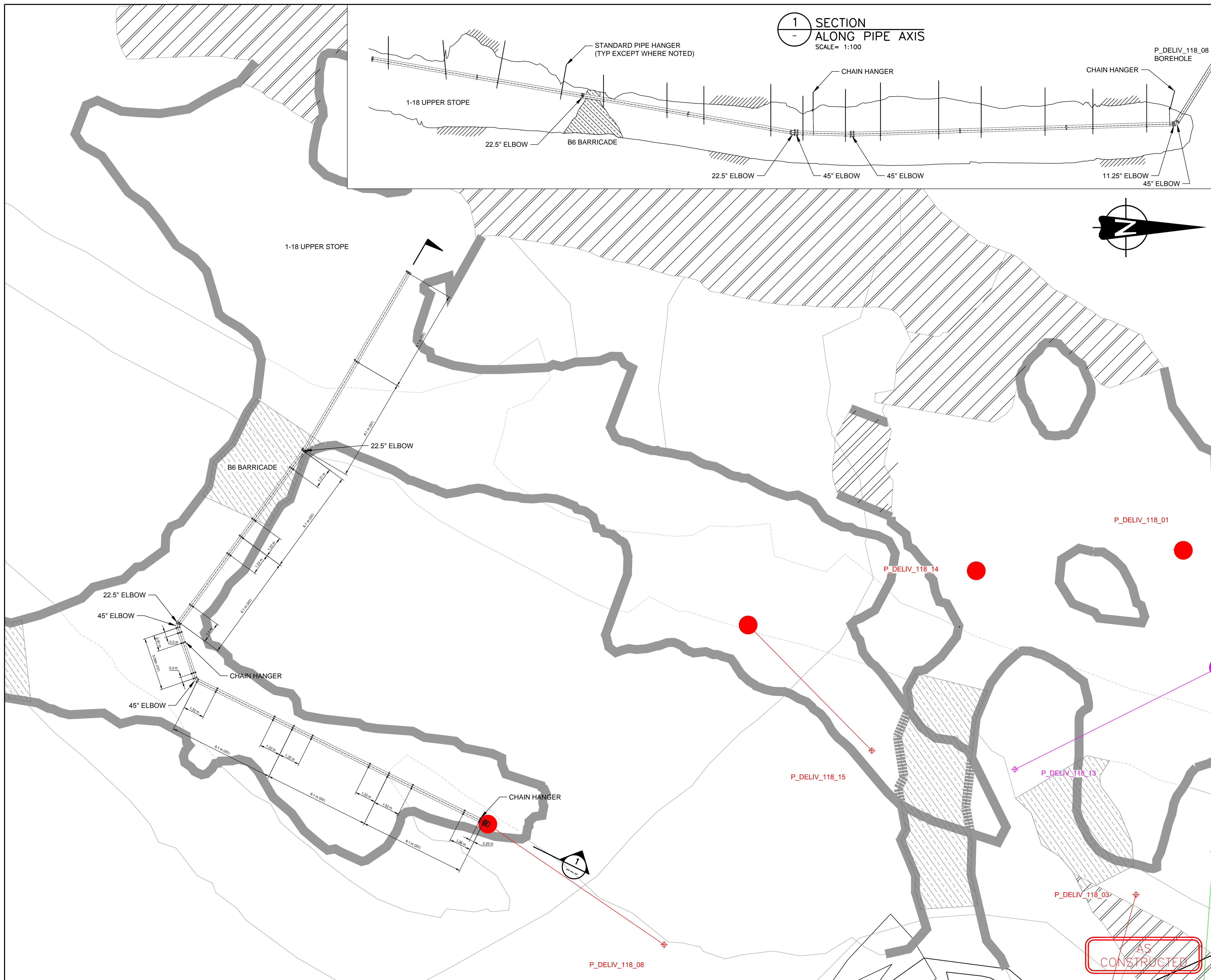
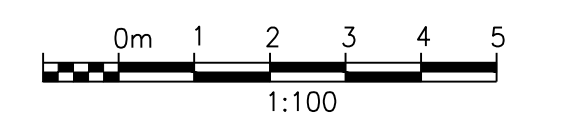
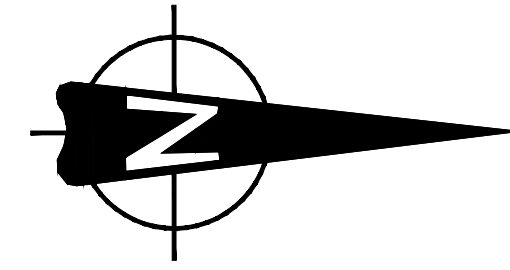


1 SECTION
- ALONG PIPE AXIS
SCALE = 1:100



- GENERAL NOTES
1. ALL PIPING 200mm SCH40, ASTM GR. A OR B c/w CUT GROOVE, BOTH ENDS
 2. ALL COUPLINGS VICTAULIC (OR EQUIVALENT) STYLE 77 FLEXIBLE COUPLING



Revision/	Description/	Date/
Revision	Description	Date
0	AS-BUILT	14-01-23

Client/client

**PUBLIC WORKS
GOVERNMENT SERVICES
CANADA**

Project title/Titre du projet
**GIANT MINE
REMEDATION PROJECT
YELLOWKNIFE, N.W.T.**

Approved by/Approuvé par
S.L.
Designed by/Concepté par
J.S.
Drawn by/Dessiné par
J.S.
PWSC Project Manager/Administrateur de Projets TPSCG
DAVE COLBOURNE
PWSC, Architectural and Engineering Resources Manager/
Ressources Architectural et de Directeur d'Ingénierie, TPSCG
Client/client
PWSC

Drawing title/Titre du dessin
**UNDERGROUND PASTE PIPELINE
1-18 UPPER STOPE
GENERAL ARRANGEMENT
AS CONSTRUCTED**

Project No./No. du projet	Sheet/Feuille	Revision no./No. de la Révision
13-1426-0010	1 OF 1	0

