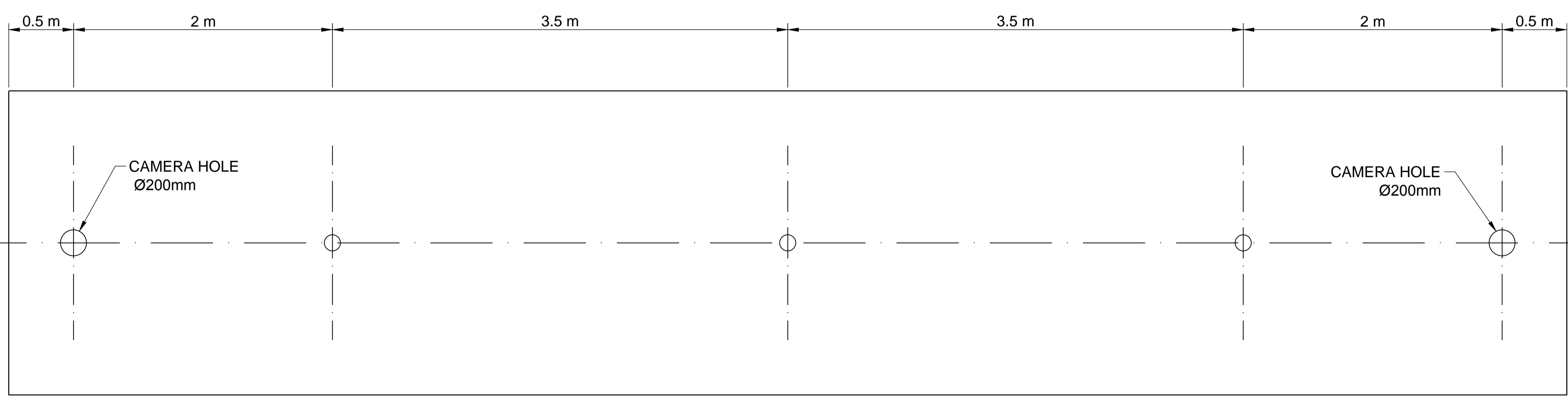
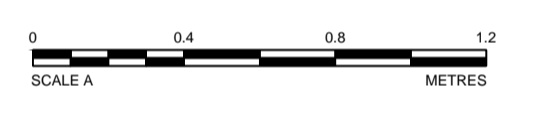


SEA CAN - SECTION VIEW  
SEE SCALE A



SEA CAN - TOP VIEW  
SEE SCALE A

A	ISSUED FOR REVIEW	2013-10-03
Revision/	Description/Description	Date/Date
Client/client		

**PUBLIC WORKS  
GOVERNMENT SERVICES  
CANADA**

Project title/Titre du projet  
**GIANT MINE  
REMEDATION PROJECT  
YELLOWKNIFE, N.W.T.**

**UNDERGROUND**

Approved by/Approve par  
**SL**

Designed by/Concept par  
**AQ**

Drawn by/Dessine par  
**TAK**

PWGSC Project Manager/Administrateur de Projets TPSCG  
**DAVE COLBOURNE**

PWGSC, Architectural and Engineering Resources Manager/  
Ressources Architectural et de Directeur d'ingénierie, TPSCG

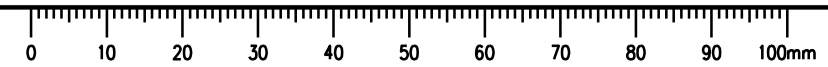
Client/client  
**PWGSC**

Drawing title/Titre du dessin

**PASTE FIELD TRIAL  
SEA CAN MODIFICATIONS**

Project No./No. du projet <b>13-1426-0010</b>	Sheet/ Feuille <b>1</b> OF -	Revision no./ La Révision no. <b>A</b>
--	------------------------------------	--

**AS  
CONSTRUCTED**



CADD FILE LCPN: P:\2013\13-1426-0010 PWGSC GIANT MINE - GAL BURNABY\MECHANICAL\13-1426-0010-FG-0041 SEA CAN MODIFICATION.DWG