



| 5 | | |
|-----------------------|-------------------------|-----------|
| 4 | | |
| 3 | | |
| 2 | | |
| 1 | ISSUED FOR TENDER | 14/03/21 |
| 0 | ISSUED FOR REVIEW | 14/02/25 |
| Revision/Modification | Description/Description | Date/Date |

**TRANSPORT CANADA
PORT HARDY AIRPORT**

Port Hardy, BC

Project Title/Titre du projet
Port Hardy, BC

**ELECTRICAL GLIDE PATH
BUILDING FEEDER
UPGRADE**

Consultant Signature Only

Designed by/Concept par
John den Boer

Drawn by/Dessiné par
Paolo Paranpan

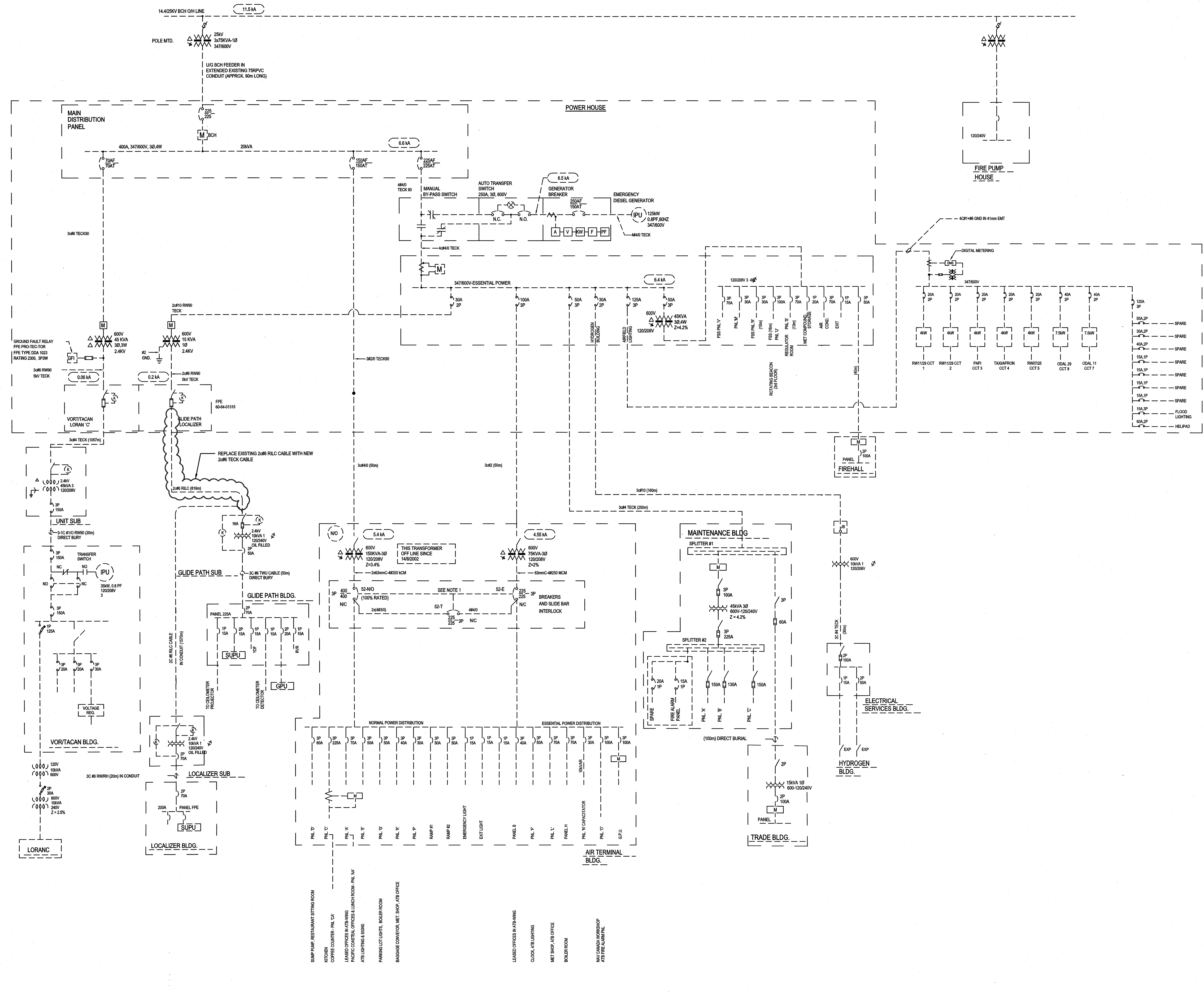
PWGSC Project Manager/Administrateur de Projets TPSGC
Tom Dunphy

Regional Manager, Architectural and Engineering Services
Gestionnaire régionale, Services d'architecture et de génie, TPSGC

Drawing Title/Titre du dessin

**SINGLE LINE DIAGRAM
EXISTING**

| Project No./No. du projet | Sheet/Feuille | Revision no./ La Revision no. |
|---------------------------|---------------|----------------------------------|
| R.048881.001 | E02 OF 03 | 1 |



Plot Date: March 28, 2014 2:54 PM. Plotted by: Peterson, Paolo. File Name: \\PROJECTS\313\31-1292-03 PWGSC PORT HARDY AIRPORT FEEDER COMPLETION.DWG ELECTROPRODUCTION.E02 (S1D).DWG