



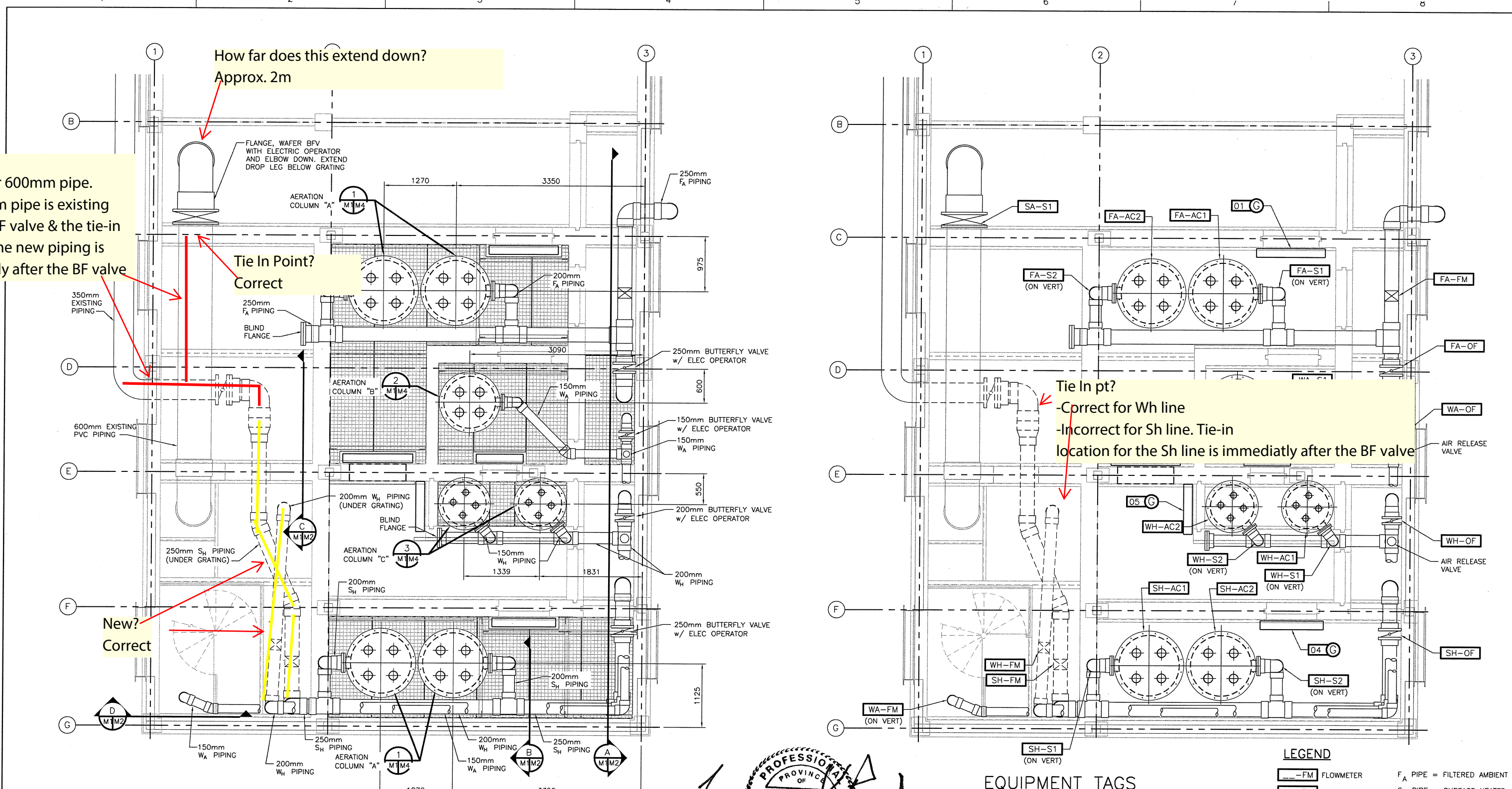
Exists?  
 -Correct for 600mm pipe.  
 -the 350mm pipe is existing up to the BF valve & the tie-in point for the new piping is immediately after the BF valve

How far does this extend down?  
 Approx. 2m

Tie In Point?  
 Correct

New?  
 Correct

Tie In pt?  
 -Correct for Wh line  
 -Incorrect for Sh line. Tie-in location for the Sh line is immediately after the BF valve



PIPING PLAN AT EL 20.0  
 SCALE: 1 : 33 1/3

EQUIPMENT TAGS PLAN AT EL 20.0  
 SCALE: 1 : 33 1/3

**LEGEND**

|  |                     |  |  |
|--|---------------------|--|--|
|  | -FM FLOWMETER       |  | F <sub>A</sub> PIPE = FILTERED AMBIENT |
|  | -S SUPPLY VALVE     |  | S <sub>H</sub> PIPE = SURFACE HEATED   |
|  | -OF OVERFLOW VALVE  |  | W <sub>A</sub> PIPE = WELL AMBIENT     |
|  | -AC AERATION COLUMN |  | W <sub>H</sub> PIPE = WELL HEATED      |
|  |                     |  |  |

VERIFY SCALES  
 BAR IS 30mm ON ORIGINAL DRAWING  
 IF NOT TO SCALE ON THIS SHEET, ADJUST SCALES ACCORDINGLY

*L. K. PAUS*  
 PROFESSIONAL ENGINEER  
 3-26-14

NOTE:  
 ALL PIPING SHALL BE SCH 40 PVC UNLESS OTHERWISE NOTED.



| DWG. NO. | REFERENCE DRAWINGS |
|----------|--------------------|
|          |                    |
|          |                    |
|          |                    |
|          |                    |

NOTES

| NO. | DATE | REVISIONS |
|-----|------|-----------|
|     |      |           |
|     |      |           |
|     |      |           |

| DESIGNED | DRAWN | CHECKED | APPROVED |
|----------|-------|---------|----------|
| EEO      | ACB   | LKP     |          |
|          |       |         |          |

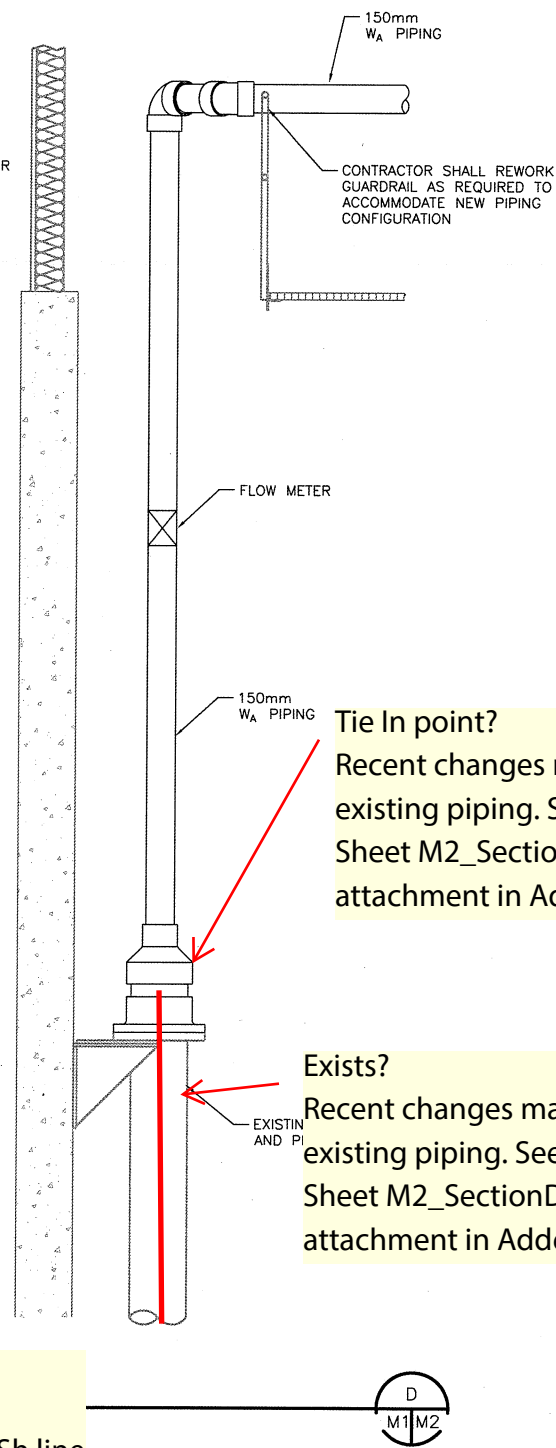
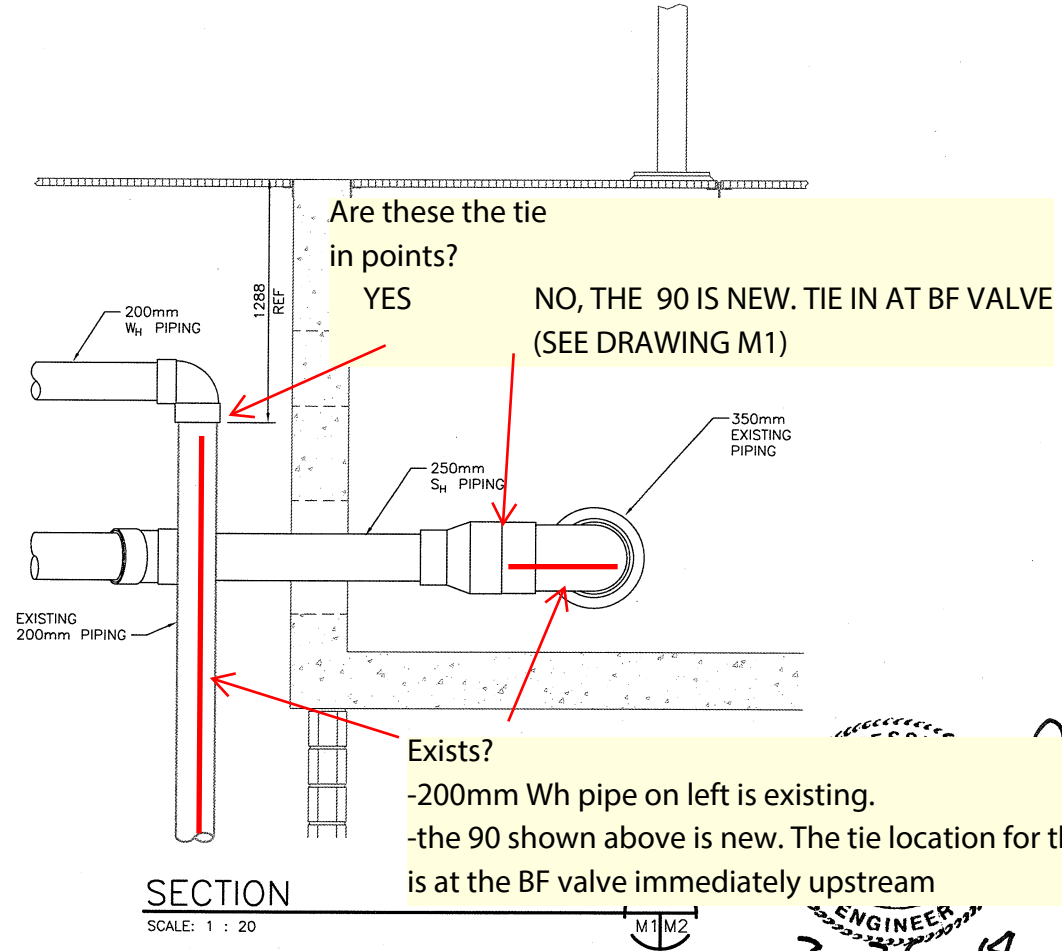
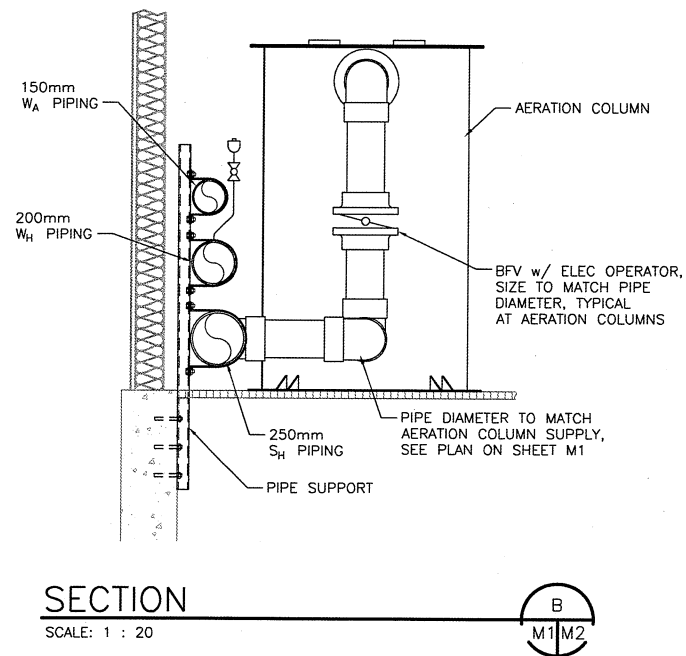
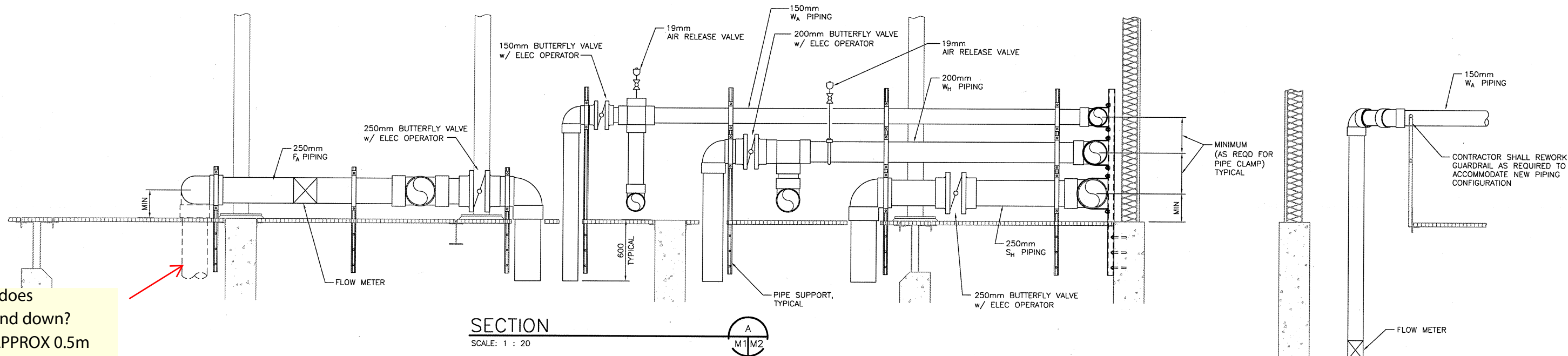
**FISHERIES & OCEANS CANADA**  
 REAL PROPERTY AND TECHNICAL SUPPORT BRANCH

**KITIMAT RIVER HATCHERY**  
 CONTRACT NO F1700-130721  
 AERATION TOWER MODIFICATIONS

**PIPING AND EQUIPMENT PLAN**

|                |            |
|----------------|------------|
| SCALE          | AS NOTED   |
| DATE           | 03/20/2014 |
| DRAWING NUMBER | M1         |
| REVISION       |            |

How far does this extend down?  
APPROX 0.5m



Are these the tie in points?  
YES NO, THE 90 IS NEW. TIE IN AT BF VALVE (SEE DRAWING M1)

Tie In point?  
Recent changes made to existing piping. See "KFDS-Sheet M2\_SectionD.pdf" attachment in Addendum

Exists?  
Recent changes made to existing piping. See "KFDS-Sheet M2\_SectionD.pdf" attachment in Addendum

Exists?  
-200mm Wh pipe on left is existing.  
-the 90 shown above is new. The tie location for the above Sh line is at the BF valve immediately upstream

ENGINEER  
3-26-14

VERIFY SCALES  
BAR IS 30mm ON ORIGINAL DRAWING  
IF NOT TO SCALE ON THIS SHEET, ADJUST SCALES ACCORDINGLY



| DWG. NO. | REFERENCE DRAWINGS |
|----------|--------------------|
|          |                    |
|          |                    |
|          |                    |
|          |                    |
|          |                    |

| NO. | DATE | REVISIONS |
|-----|------|-----------|
|     |      |           |
|     |      |           |
|     |      |           |
|     |      |           |

| DESIGNED | DRAWN | CHECKED | RECOMMENDED | APPROVED |
|----------|-------|---------|-------------|----------|
| EEO      | ACB   | LKP     |             |          |
|          |       |         |             |          |

| SCALE          |
|----------------|
| AS NOTED       |
| DATE           |
| 03/20/2014     |
| DRAWING NUMBER |
| M2             |
| REVISION       |
|                |

**FISHERIES & OCEANS CANADA**  
REAL PROPERTY AND TECHNICAL SUPPORT BRANCH

**KITIMAT RIVER HATCHERY**  
CONTRACT NO F1700-130721  
AERATION TOWER MODIFICATIONS

**PIPING SECTIONS**