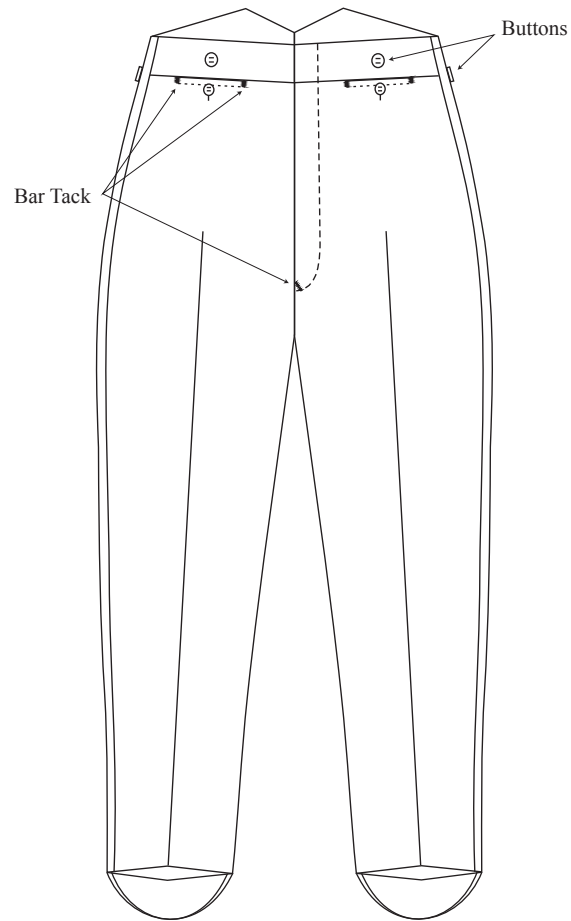
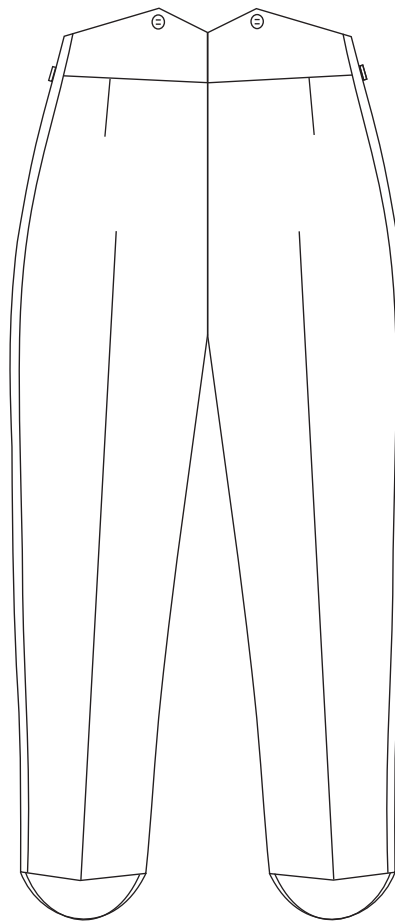


OVERALLS, BLUE
Dwg #1

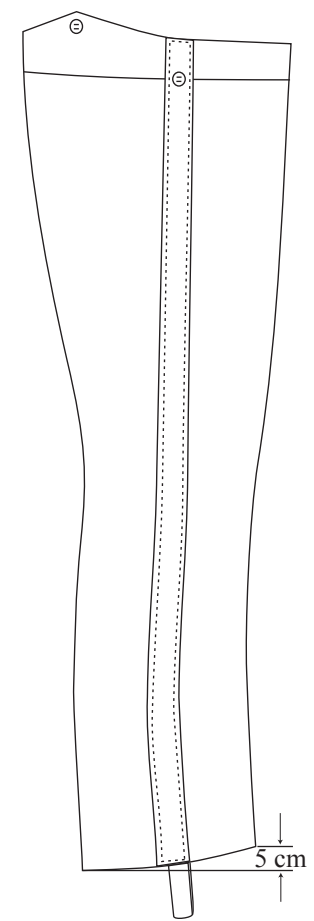
G.S.1045-74



Front View



Rear View



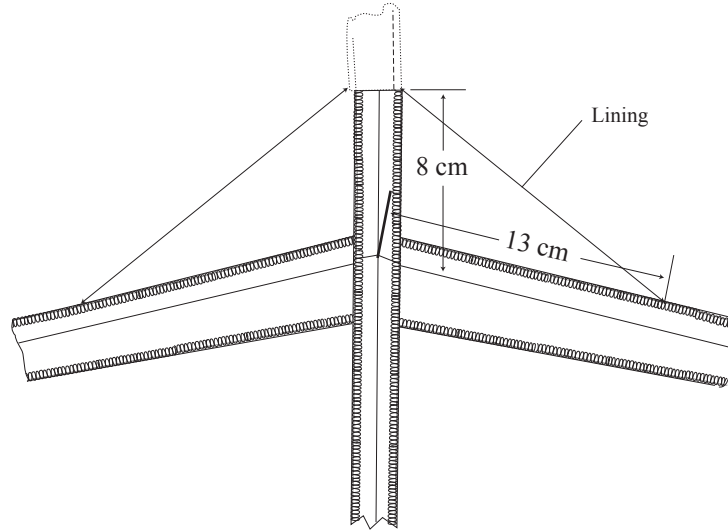
Side View

Dwg #1

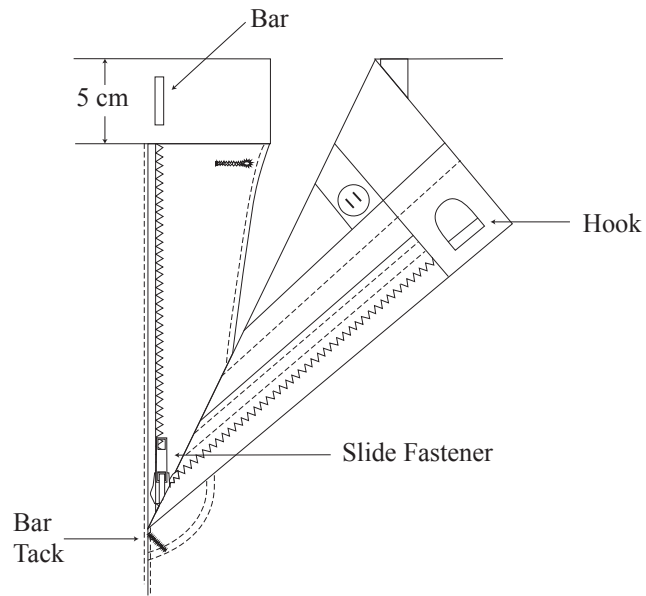
All Measurements in Centimeters
NOT TO SCALE

OVERALLS, BLUE
Dwg #2

G.S.1045-74



Crotch Detail



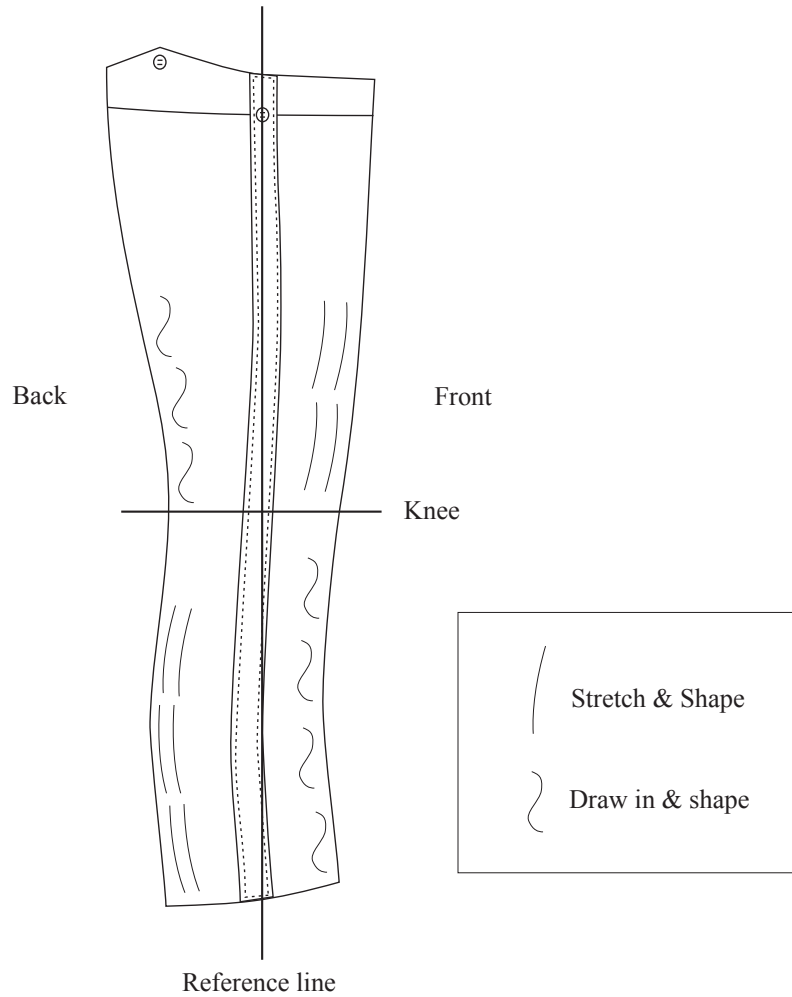
Waistband Closure
Detail

Dwg #2

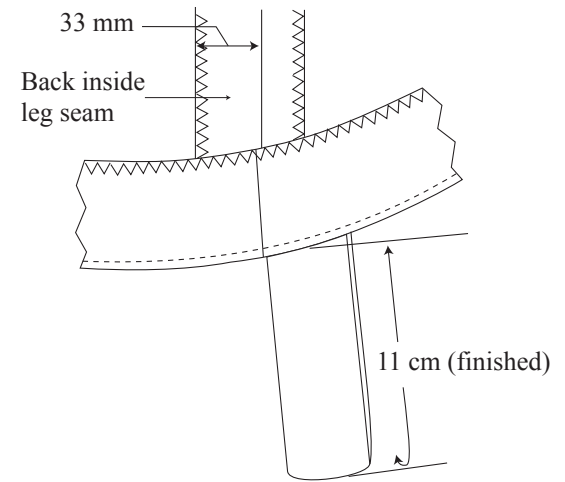
All Measurements in Centimeters
NOT TO SCALE

OVERALLS, BLUE
Dwg #3

G.S.1045-74



Leg Pressing Detail



Foot Strap & Hem Facing Detail

Dwg #3

All Measurements in Centimeters
NOT TO SCALE