

Dwg. 1

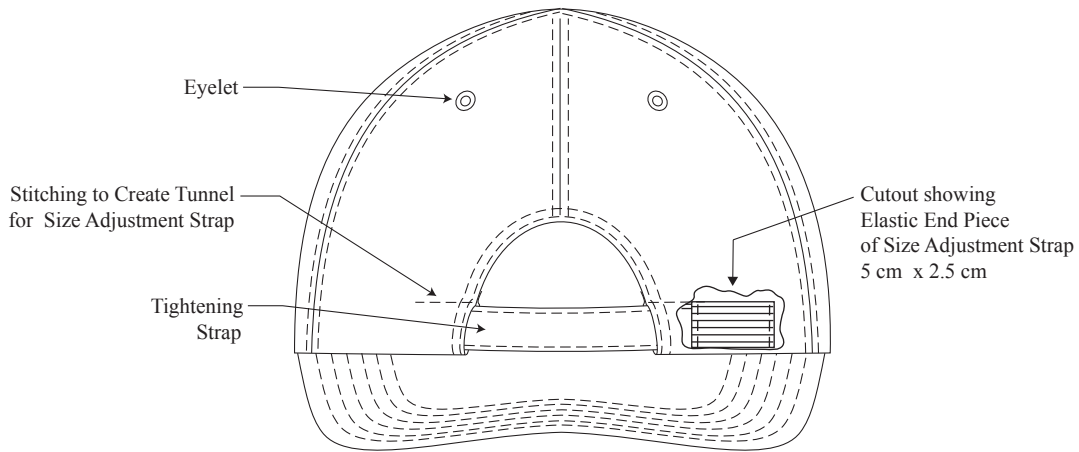
Type I & II Caps



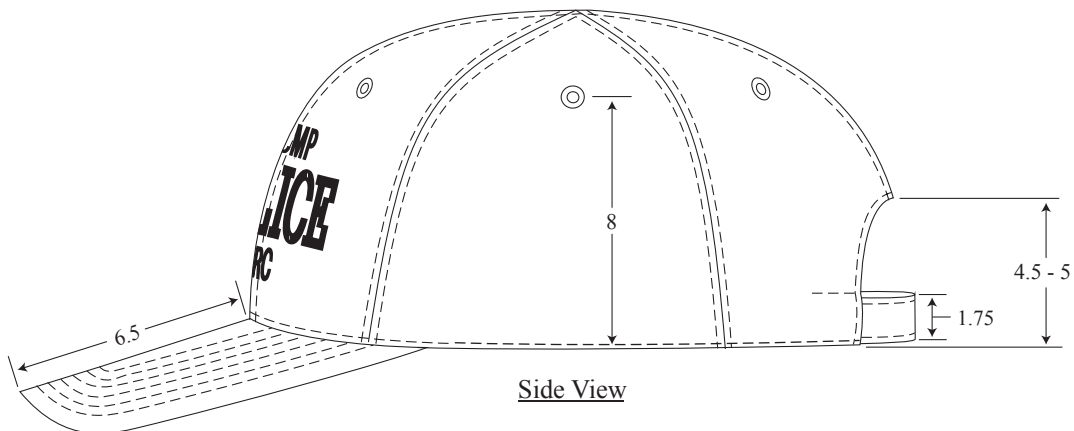
Gray Embroidery Thread for Letters; "RCMP" & "GRC" to be 1 cm high "POLICE" to be 2.5 cm high (Note distortion due to curve of cap front)

Curved Peak with Six Rows of Stitching

Front View



Rear View

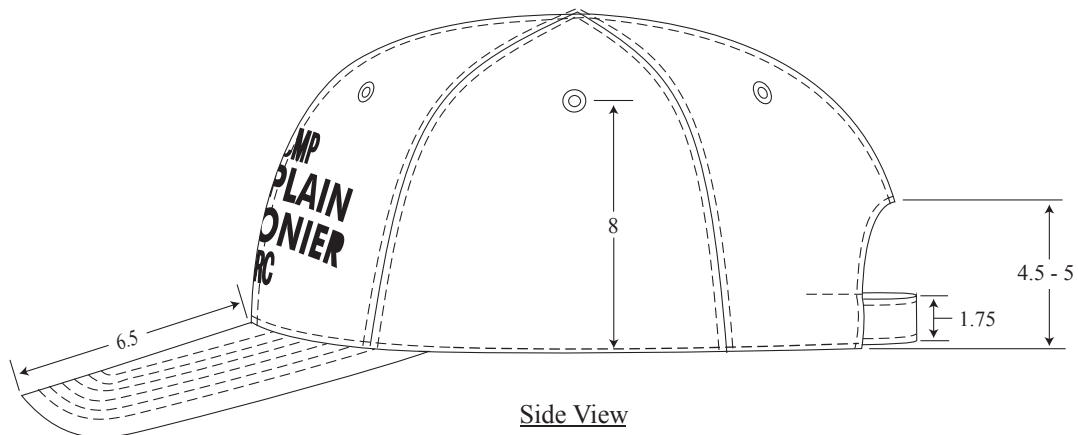
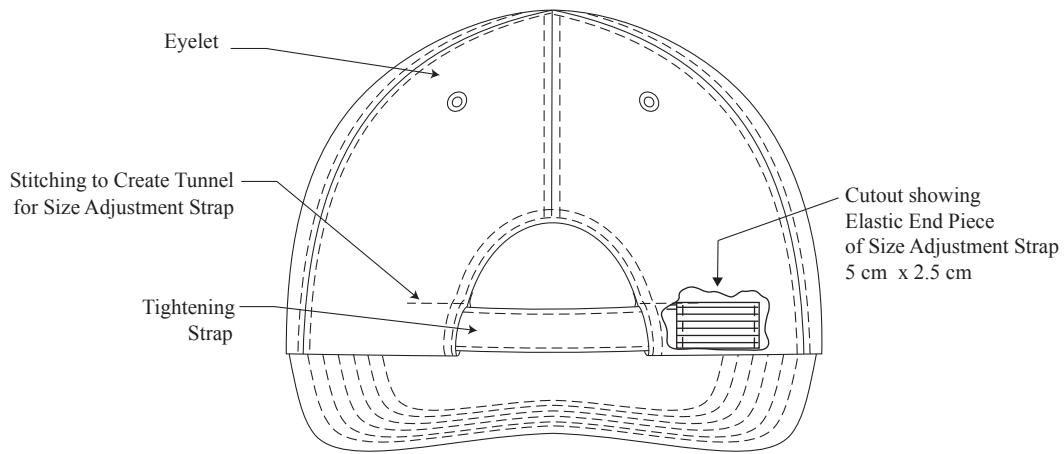
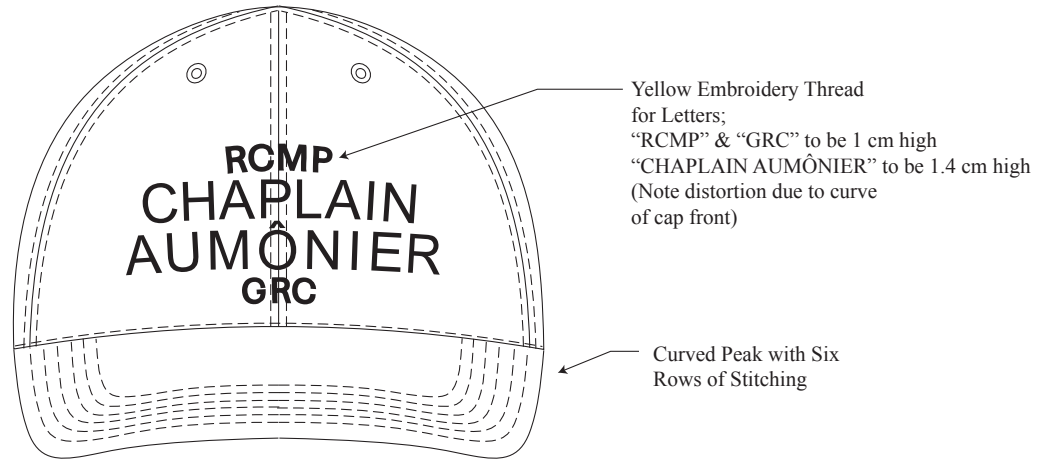


Side View

All measurements in Centimetres  
NOT TO SCALE

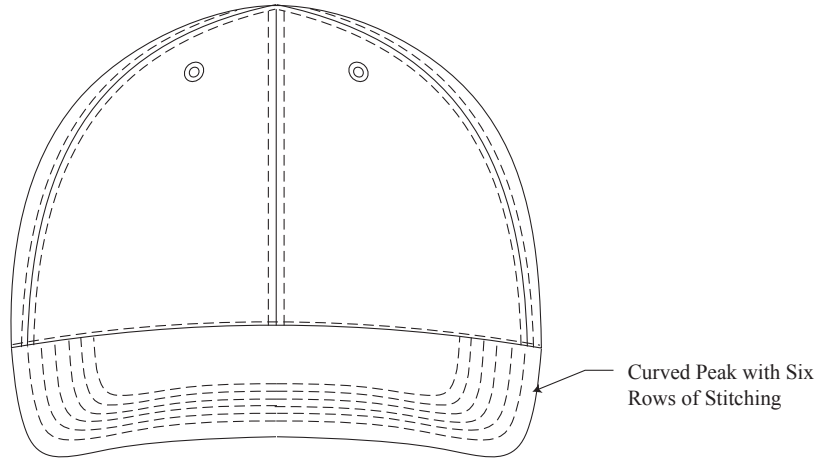
Dwg. 2

Type III  
(Chaplain's Caps)

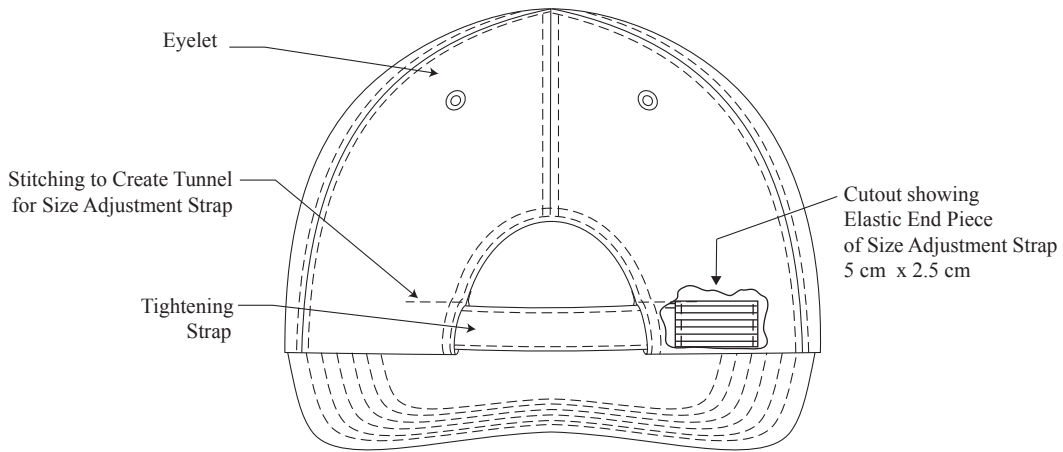


All measurements in Centimetres  
NOT TO SCALE

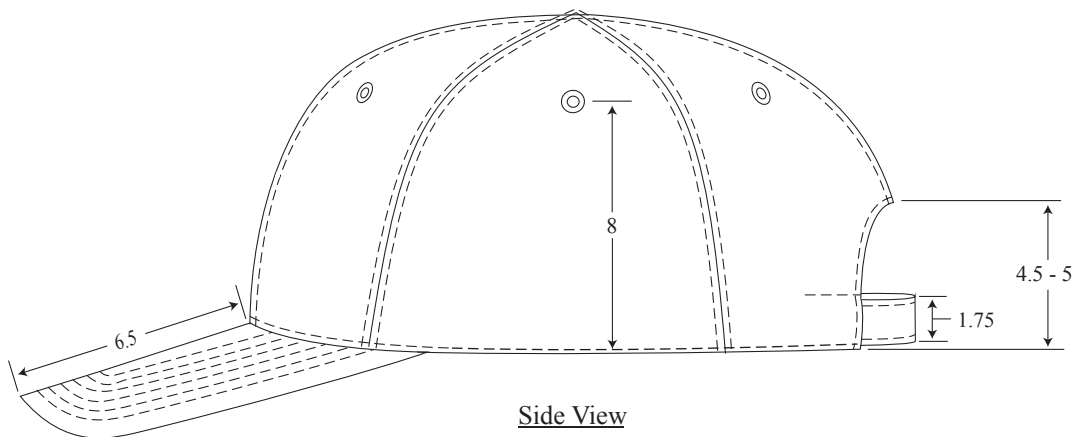
Dwg. 3  
Type IV  
Cadet Cap



Front View



Rear View

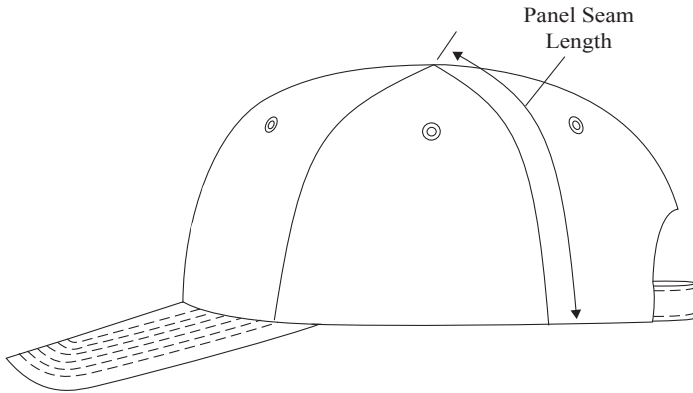


Side View

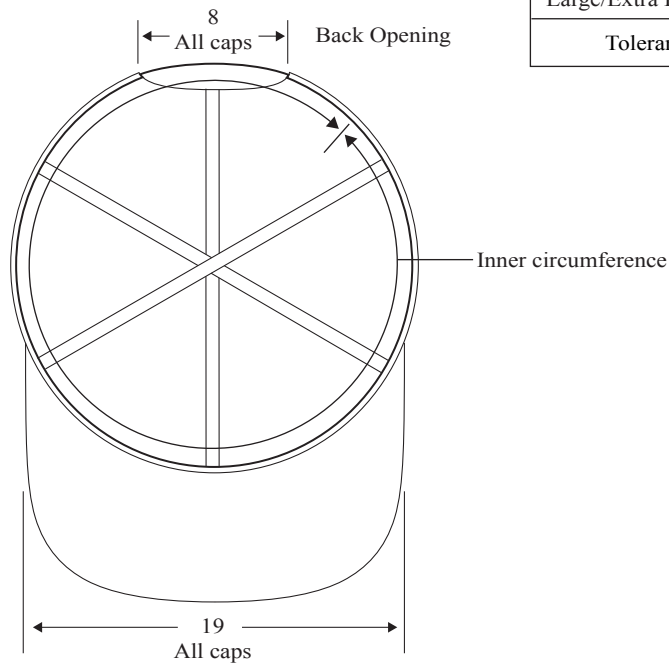
All measurements in Centimetres  
NOT TO SCALE

Dwg. 4

Measurement Chart  
(for all Caps)



Cap Size	Measurement	
	Inner Circumference cm	Panel Seam Length cm
Small/Medium (S/M)	54	15.5
Large/Extra Large (L/XL)	58	16.25
Tolerance, +/-	0.5	0.25



Inside Cap view

All measurements in Centimetres  
NOT TO SCALE