

Revision/Édition	Description/Description	Date/Date
C	ISSUED FOR TENDER	14/05/02
B	100% SUBMISSION	14/01/24
A	95% SUBMISSION	13/12/13

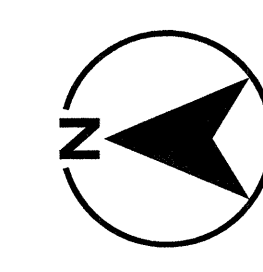
Client/client: **AGRICULTURE AND AGRI-FOODS CANADA**

Project title/Titre du projet: **PARC AGASSIZ AGASSIZ, B.C.**  
**ATES SYSTEM REPLACEMENT**

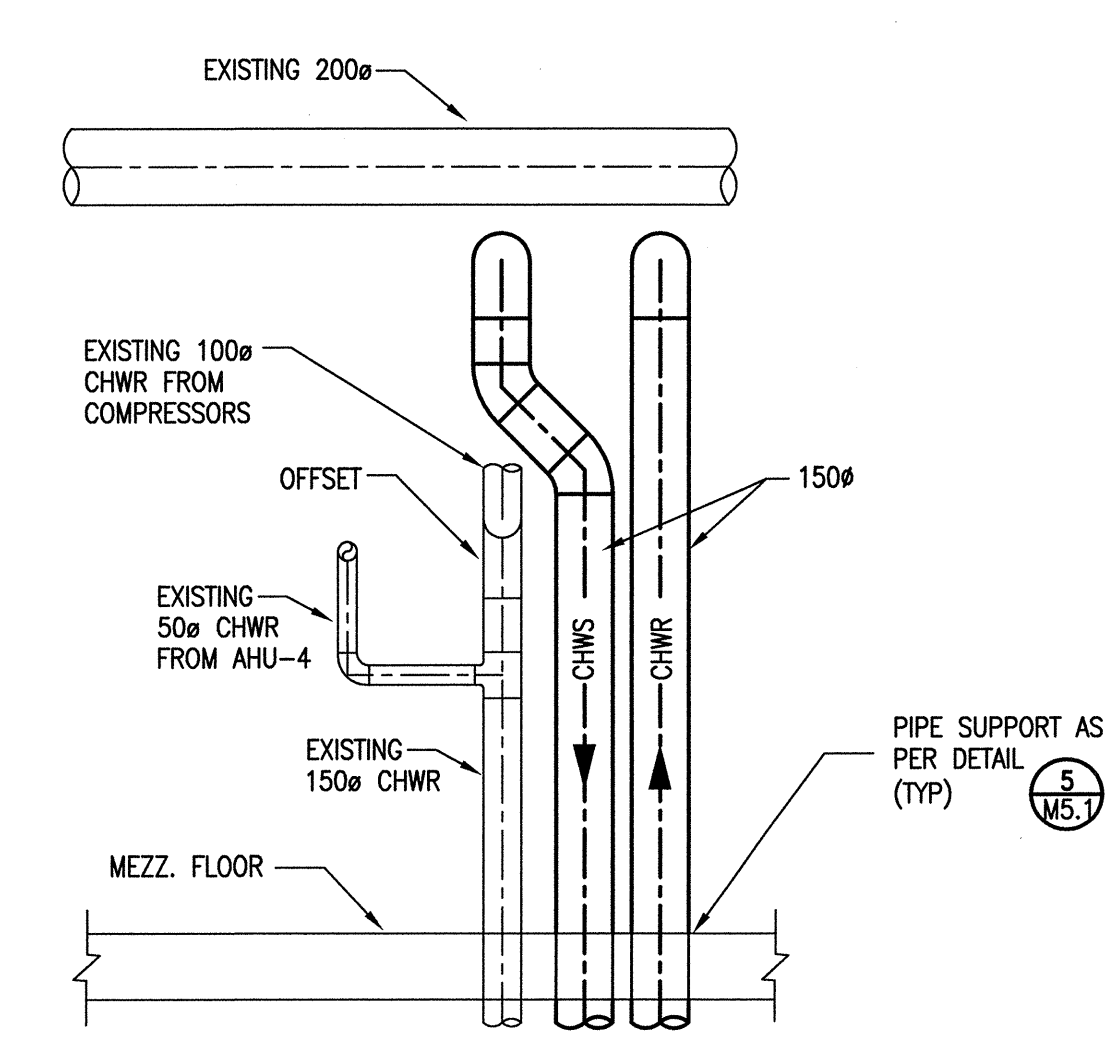
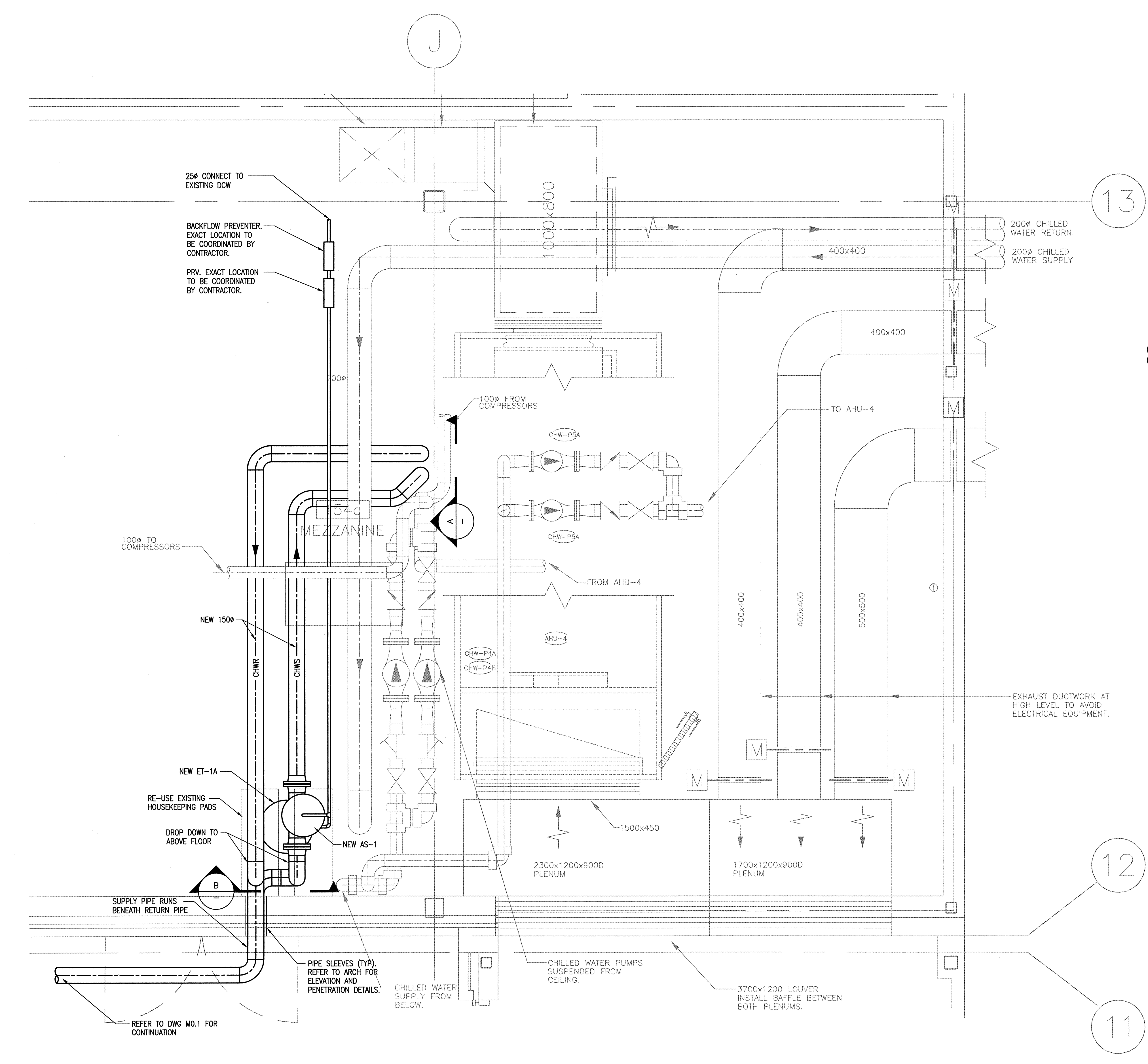
Approved by/Approuvé par: NK  
 Designed by/Concept par: NK  
 Drawn by/Dessiné par: SA  
 PWSC Project Manager/Administrateur de Projets TPSC: Y. DUNPHY  
 PWSC Architectural and Engineering Resources Manager/Ressources Architectural et de Directeur d'ingénierie, TPSC: P. FUNG  
 Client/client:

Drawing title/Titre du dessin: **MEZZANINE PHASE 1 NEW LAYOUT PLAN**

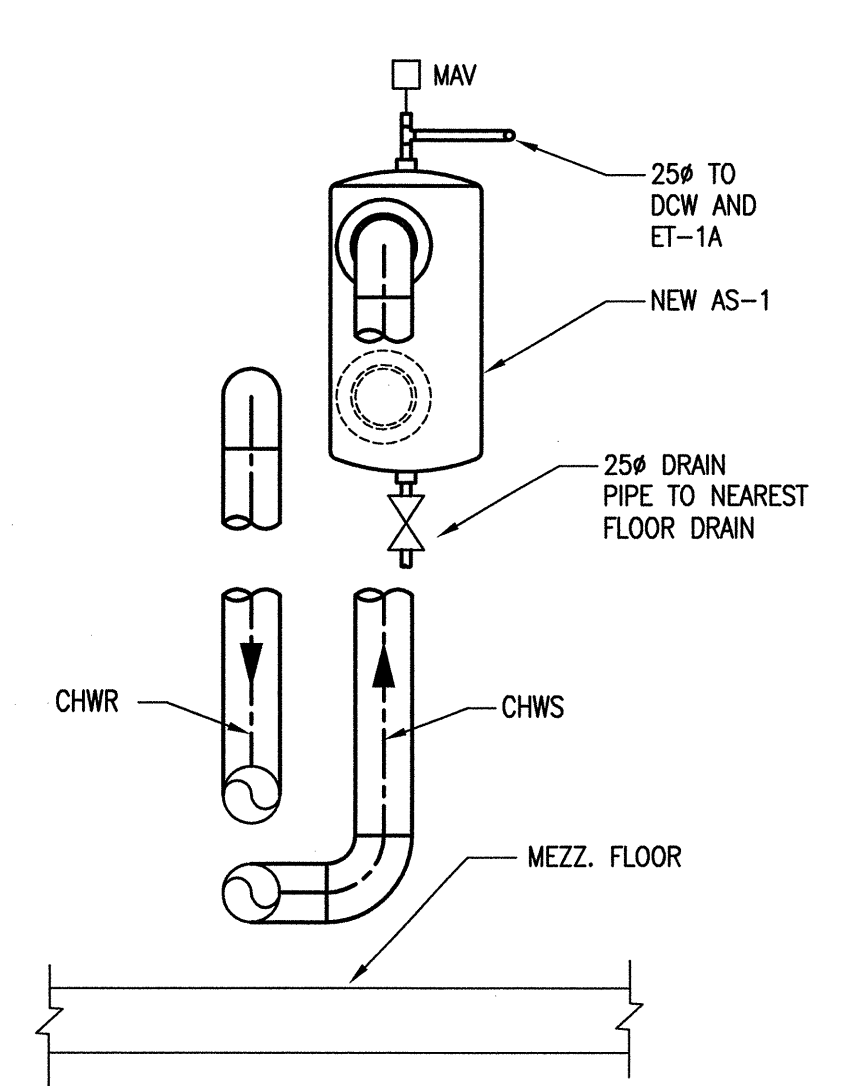
Project No./No. du projet: <b>R.054815.001</b>	Sheet/Feuille: <b>M2.2</b>	Revision no./La Révision no.: <b>C</b>
--	----------------------------	--



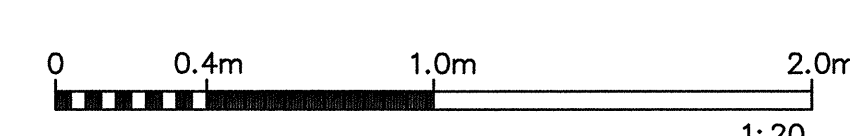
**GENERAL NOTES**  
 1. PIPE ROUTING AND EQUIPMENT LOCATIONS BASED UPON EXTENSIVE SITE SURVEY. CONTRACTOR TO RUN NEW WORK AS SHOWN ON PLANS.



**A SECTION**  
N.T.S.



**B SECTION**  
N.T.S.



**MEZZANINE PHASE 1 NEW LAYOUT PLAN**  
1:20

