

MAY 0 1 2014

Revision/	Description/Description	Date/Date
D	ISSUED FOR TENDER	14/05/02
C	100% SUBMISSION	14/02/04
B	100% SUBMISSION	14/01/24
A	95% SUBMISSION	13/12/13

Client/client
AGRICULTURE AND AGRI-FOODS CANADA

Project title/Titre du projet
PARC AGASSIZ AGASSIZ, BC

ATES SYSTEM REPLACEMENT

Approved by/Approve par
NK

Designed by/Concept par
RM

Drawn by/Dessiné par
CN

PWGSC Project Manager/Administrateur de Projets TPSGC
T. DUNPHY

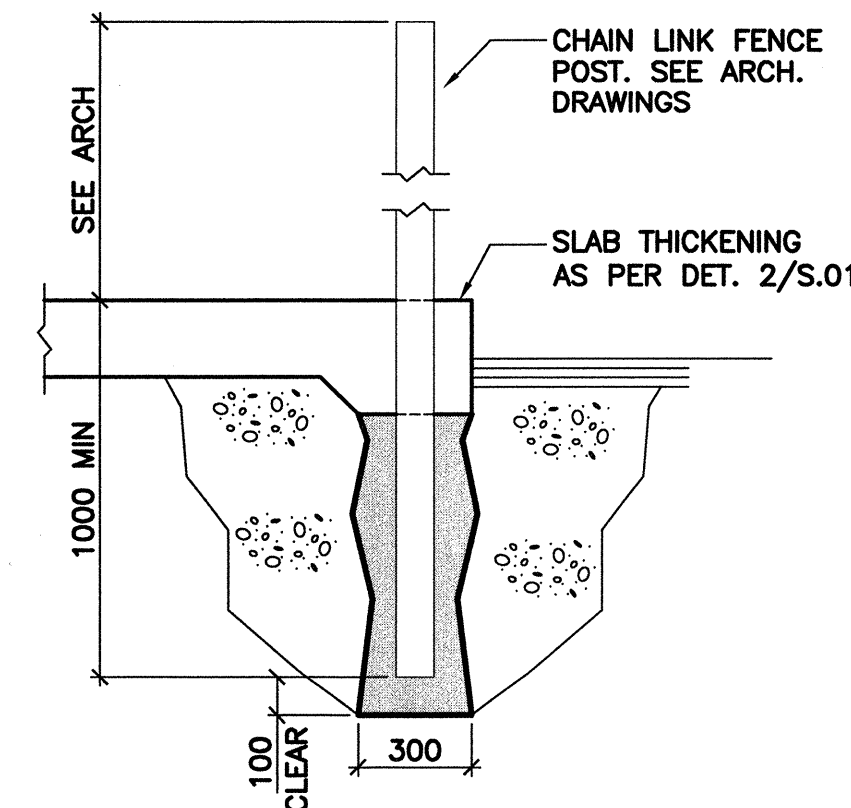
PWGSC Architectural and Engineering Resources Manager/
Ressources Architectural et de Directeur d'ingénierie, TPSGC
P. FLUNG

Client/client

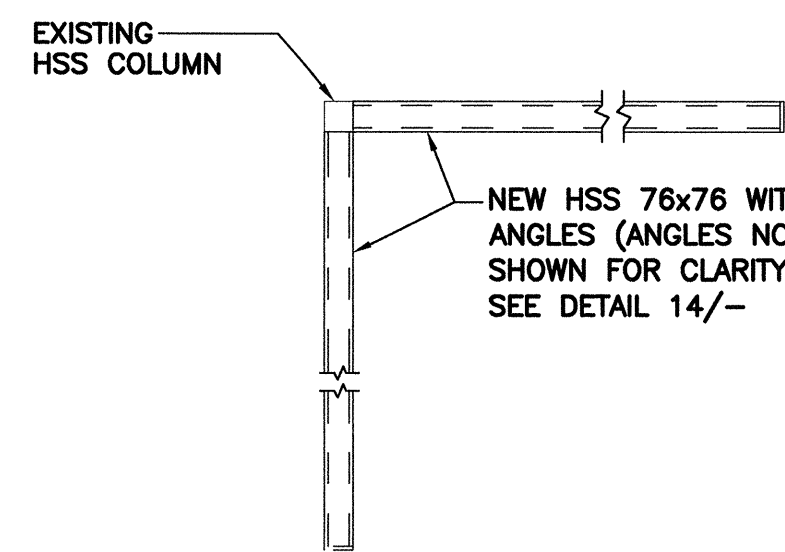
Drawing title/Titre du dessin

ELEVATIONS AND DETAIL

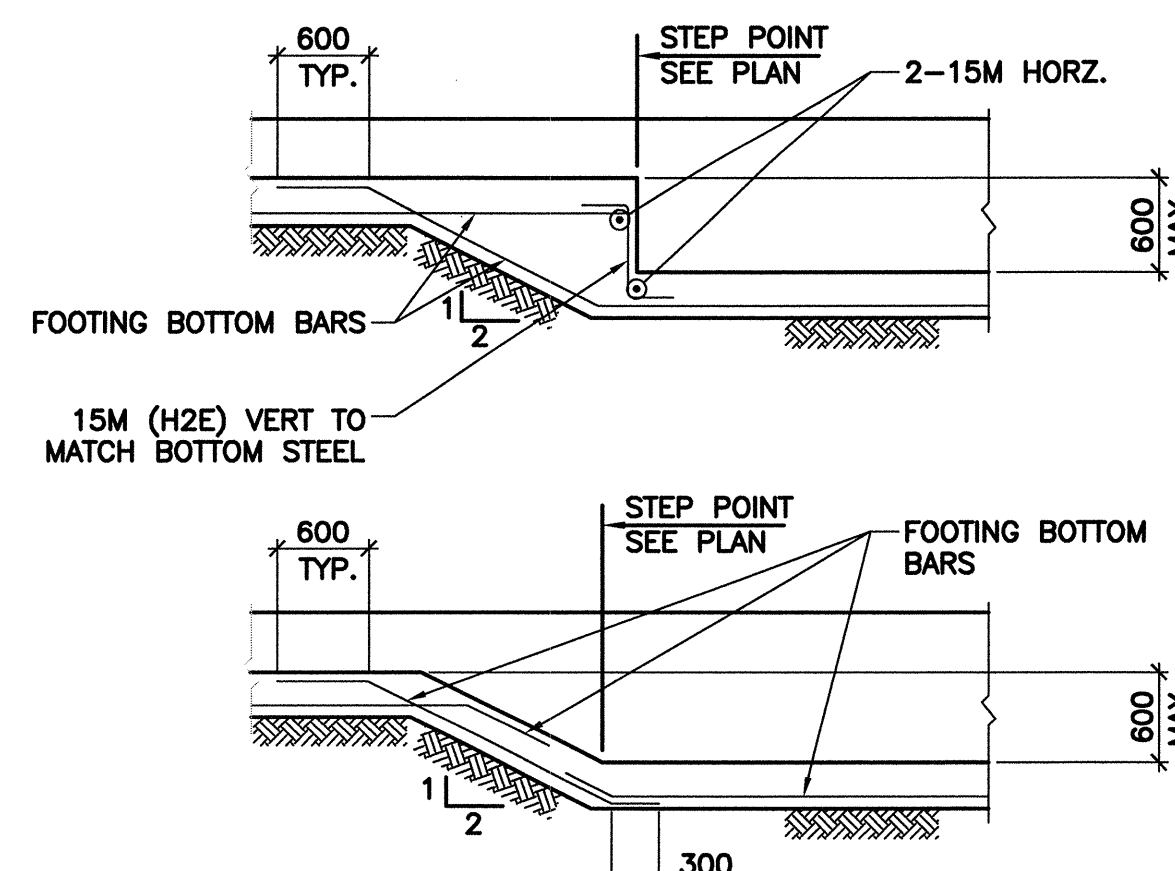
Project No./No. du projet R.054815.001	Sheet/Fauille S0.2 OF	Revision no./ La Révision no. D
--	------------------------------------	--



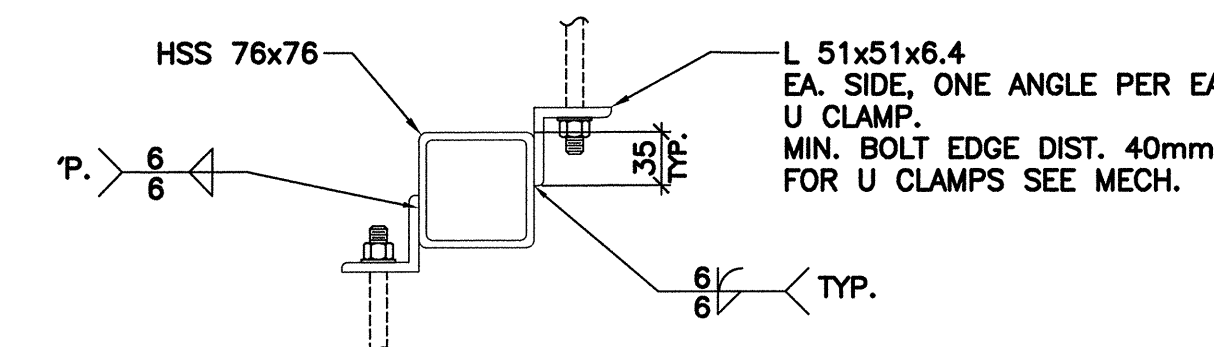
11 CHAIN LINK FENCE POST FOUNDATION
SCALE: 1:20



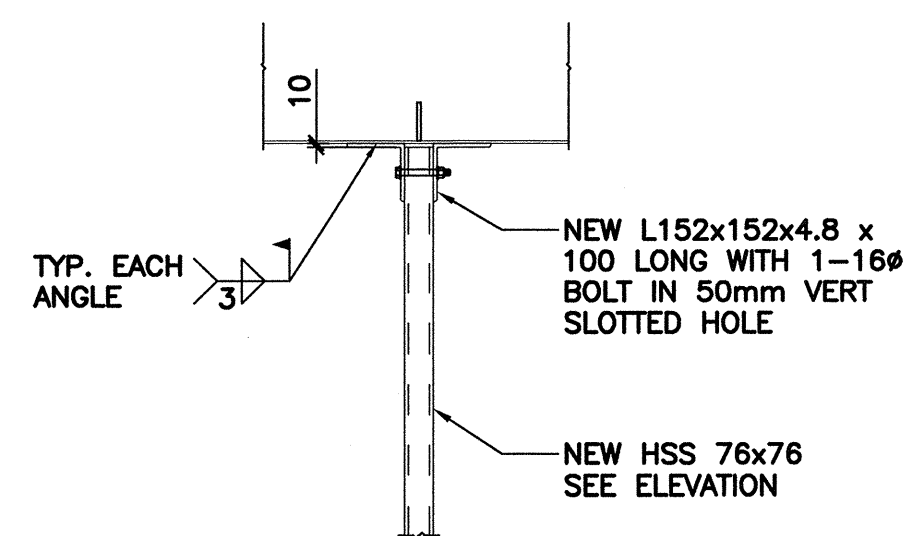
12 SECTION
SCALE: 1:20



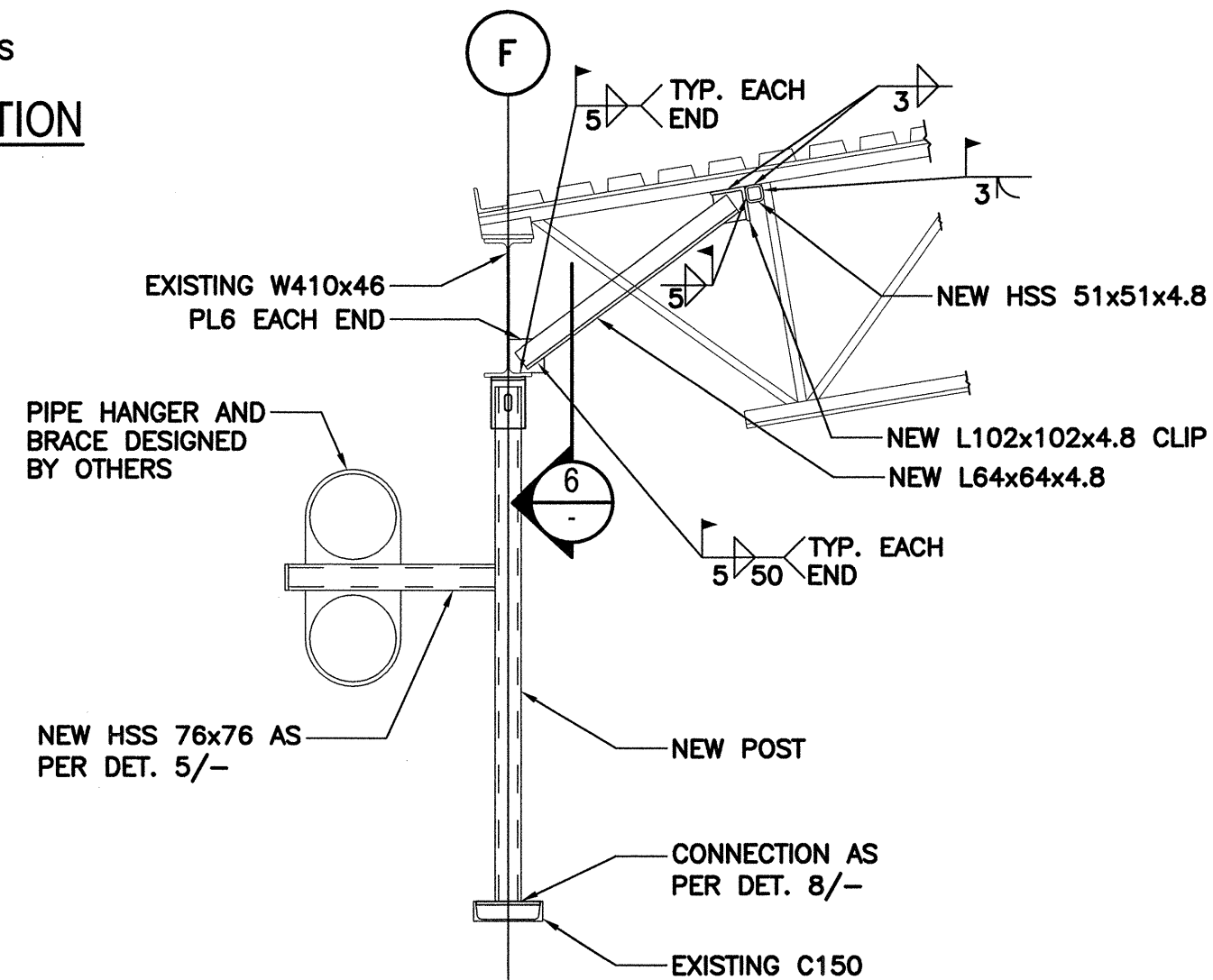
13 TYPICAL STEP FOOTING DETAIL
SCALE: 1:20



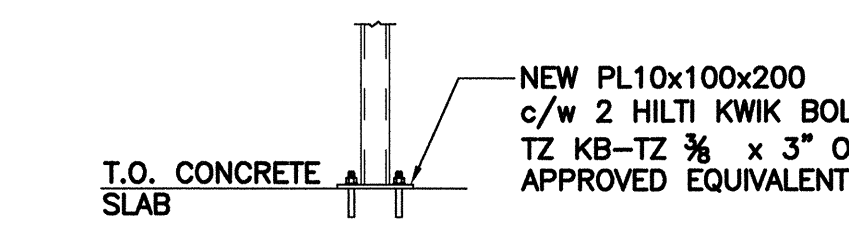
14 TYP. PIPE SUPPORT DETAIL
SCALE: 1:5



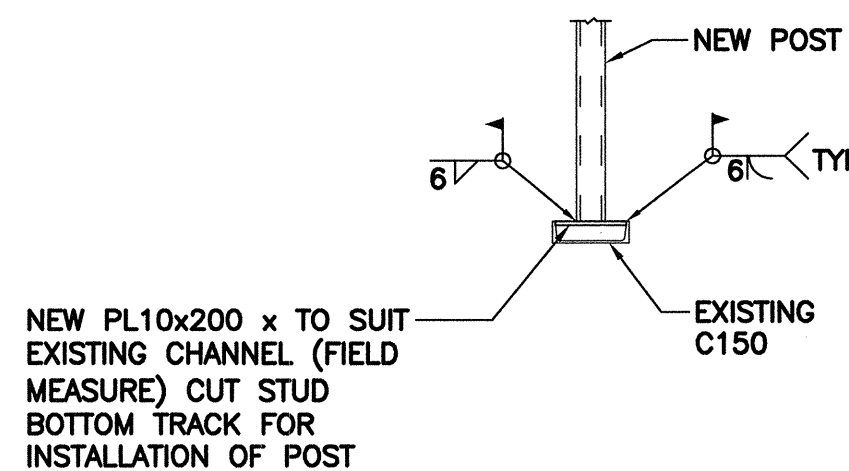
6 DETAIL
SCALE: 1:20



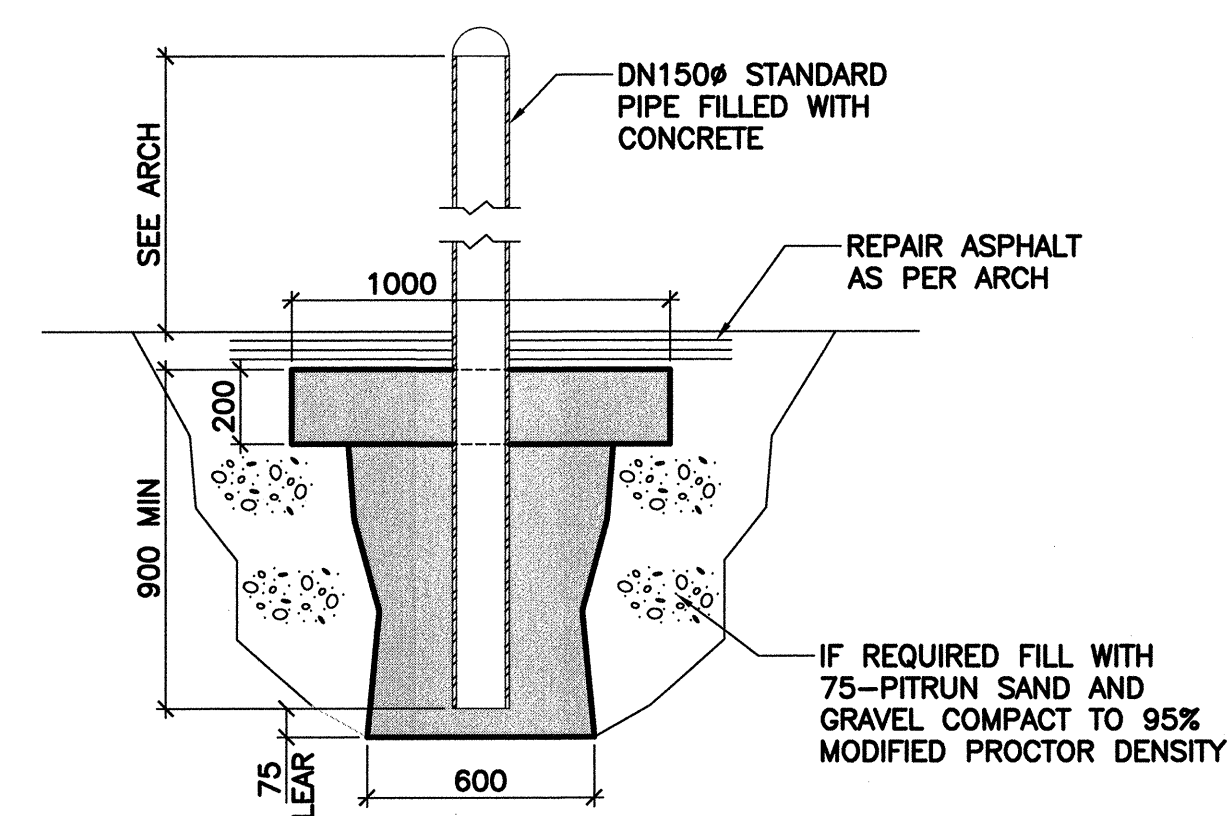
7 SECTION
SCALE: 1:20



9 DETAIL
SCALE: 1:20

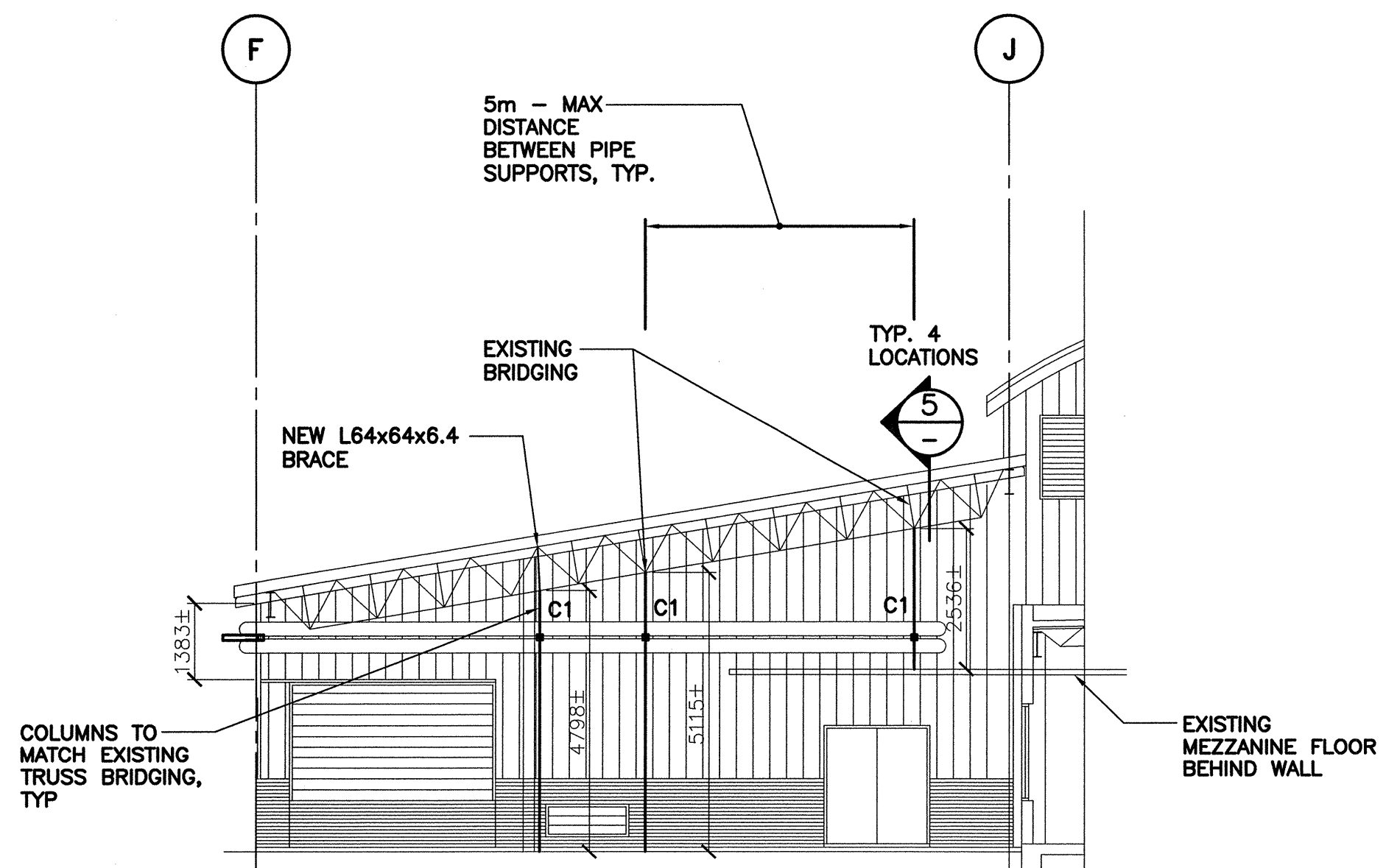


8 DETAIL
SCALE: 1:20

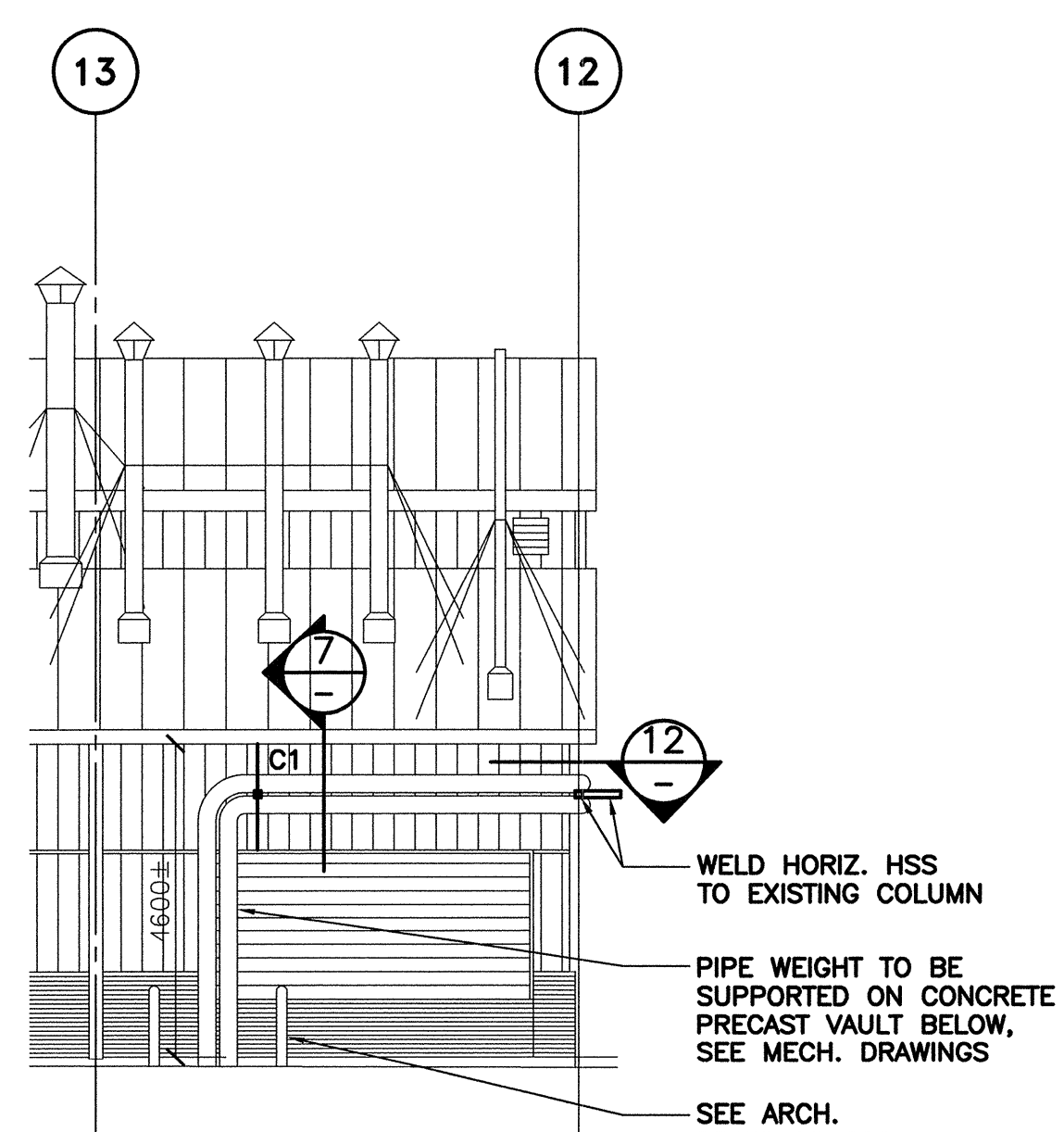


SEE ARCH. DRAWINGS FOR BOLLARD LOCATIONS

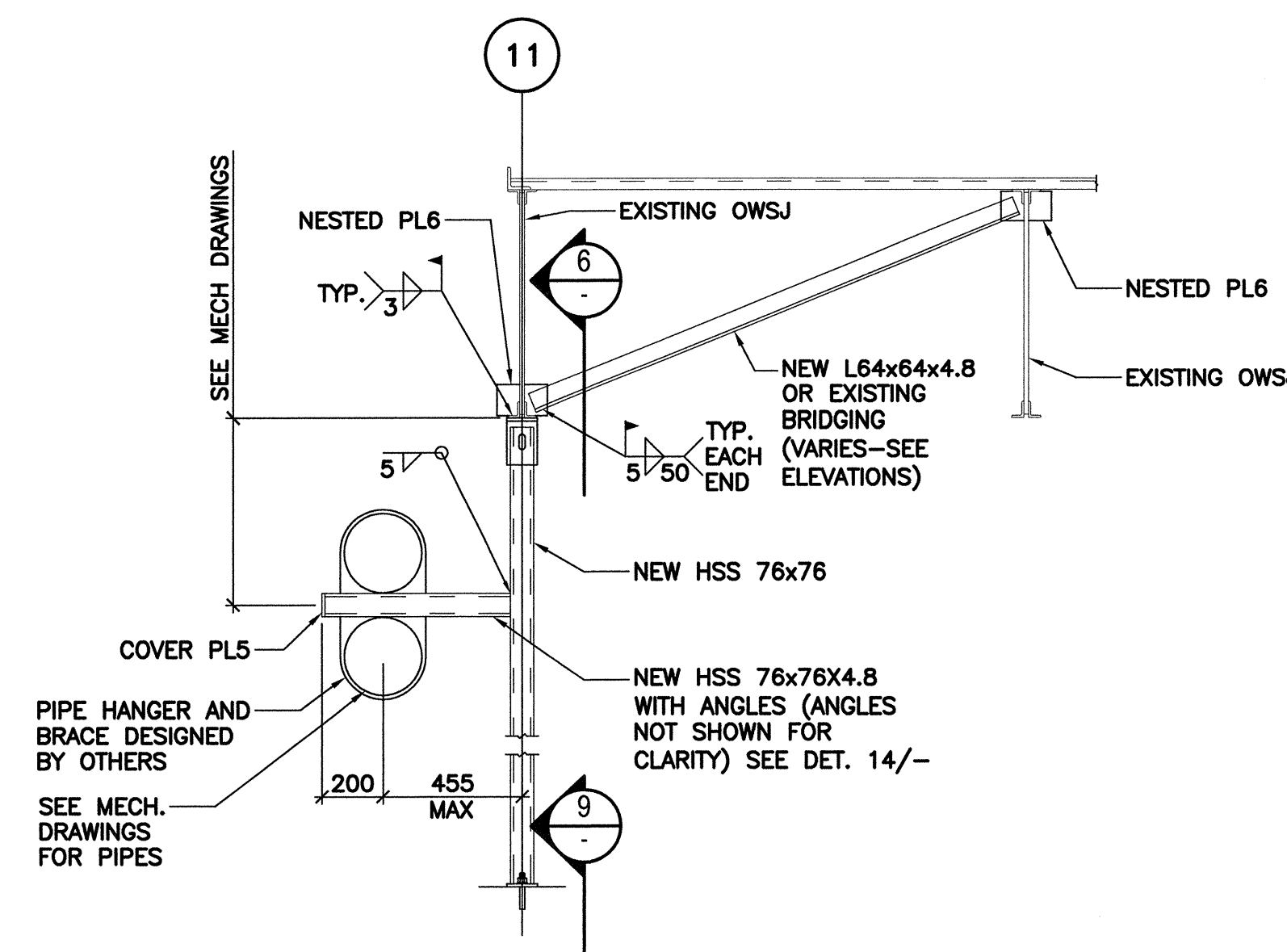
10 BOLLARD
SCALE: 1:20



3 ELEVATION
SCALE: 1:100
NOTE:
C1: NEW HSS 76x76x4.8
SITE VERIFY DIMENSION, TYP.



4 ELEVATION
SCALE: 1:100



5 SECTION
SCALE: 1:20

NOTES
FOR METHODS OF CONSTRUCTION, QUALITY OF WORKMANSHIP AND MATERIAL AND FOR STANDARDS AND CODES, REFER TO SPECIFICATIONS THAT ARE PART OF THE CONTRACT DOCUMENTS.

