



C	ISSUED FOR TENDER	14/05/02
B	100% SUBMISSION	14/01/24
A	95% SUBMISSION	13/12/13

Client/Client: AGRICULTURE AND AGRI-FOODS CANADA

Project title/Titre du projet: PARC AGASSIZ AGASSIZ, B.C.

ATES SYSTEM REPLACEMENT

Approved by/Approve par: T. WONG
Designed by/Concept par: K. BRZICA
Drawn by/Dessiné par: A. GHARAPETIAN
PWGSC Project Manager/Administrateur de Projets TPSCG: T. DUNPHY
PWGSC Architectural and Engineering Resources Manager/ Ressources Architectural et de Directeur d'Ingénierie, TPSCG: P. FUNG

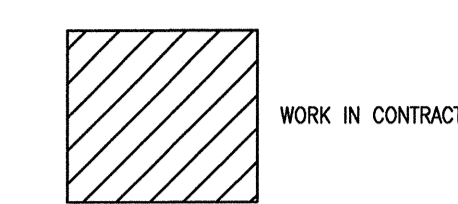
Drawing title/Titre du dessin: DETAILS

Project No./No. du projet: R.054815.001	Sheet/Feuille: E6.01-1 OF	Revision no./La Révision no.: C
---	---------------------------	---------------------------------

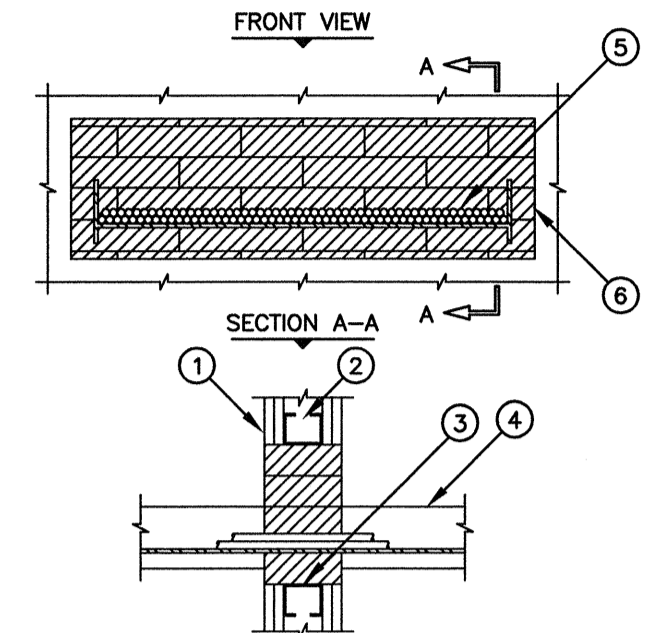
KEY NOTES:

- MECHANICAL EQUIPMENT BEING DELETED. MCC BUCKET TO BE LEFT AS SPARE AND LABELS UPDATED ACCORDINGLY.
- PROVIDE A NEW MCC BUCKET IN UNUSED SECTION. INTEGRAL STARTER NOT REQUIRED. OVERCURRENT PROTECTION AS NOTED.

LEGEND:



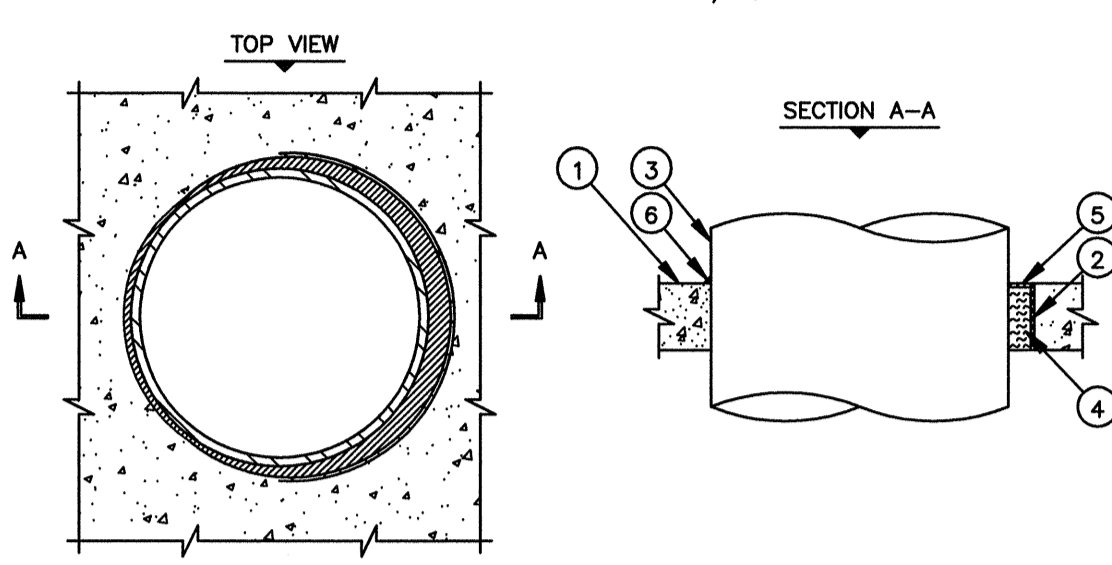
UL/cUL SYSTEM NO. W-L-4011
CABLE TRAY THROUGH 1-HR. OR 2-HR. GYPSUM WALL ASSEMBLY
F-RATING = 1-HR. OR 2-HR. L-RATING AT AMBIENT = 5 CFM/SQ. FT.
T-RATING = 0-HR. L-RATING AT 400°F = 2 CFM/SQ. FT.



- GYPSUM WALL ASSEMBLY (UL/ULC CLASSIFIED U300 OR U400 SERIES) (1-HR. OR 2-HR. FIRE-RATING) (2-HR. SHOWN).
- (NOT SHOWN). WOOD STUDS TO CONSIST OF NOMINAL 2" x 4" LUMBER. STEEL STUDS TO BE MINIMUM 2-1/2" WIDE.
- OPENING TO BE "FRAMED OUT" WITH LIGHTGAGE METAL FRAMING STUDS.
- OPEN LADDER CABLE TRAY (MAXIMUM 24" x 4", STEEL OR ALUMINUM).
- CABLES TO BE ANY COMBINATION OF THE FOLLOWING:
 - MAXIMUM 300 PAIR NO. 24 AWG TELEPHONE CABLE.
 - MAXIMUM 500 KCMIL SINGLE CONDUCTOR POWER CABLE.
 - MAXIMUM 1/2" DIAMETER FIBER-OPTIC CABLE (24 FIBER).
 - MAXIMUM 3/4" NO. 12 AWG METAL CLAD CABLE.
- HILTI FS 657 FIRE BLOCKS (2" THICK x 8" WIDE x 5" DEEP, REFERENCE: FRONT VIEW).

NOTES: 1. MAXIMUM SIZE OF OPENING = 9" x 30".
2. ANNULAR SPACE = MINIMUM 1", MAXIMUM 4".
3. MAXIMUM AREA OF CABLES EQUALS 40% OF CROSS-SECTIONAL AREA OF CABLE TRAY.
4. APPLY HILTI FS-ONE INTO INTERSTICES OF CABLES, BETWEEN CABLES AND CABLE TRAY, AND ANY VOIDS TO MAXIMUM EXTENT POSSIBLE.

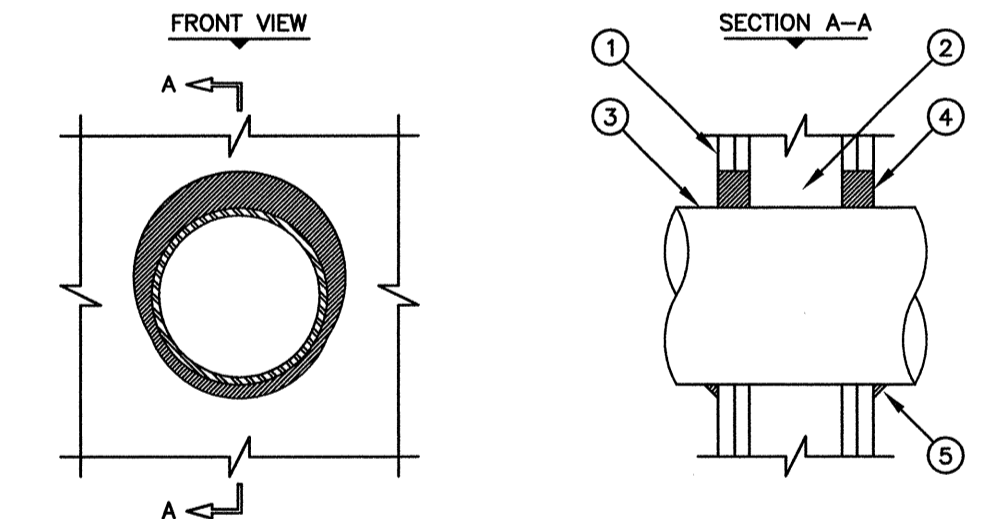
UL/cUL SYSTEM NO. CA1226
METAL PIPE THROUGH A SLEEVE IN CONCRETE FLOOR/WALL OR BLOCK WALL
F RATING = 3-HR.
T RATING = 0-HR.
L RATING AT AMBIENT = LESS THAN 1 CFM/SQ. FT.
L RATING AT 400° F = 4 CFM/SQ. FT.



- CONCRETE FLOOR OR WALL ASSEMBLY (3-HR FIRE-RATING):
 - LIGHTWEIGHT OR NORMAL WEIGHT CONCRETE FLOOR OR WALL (MIN. 4-1/2" THICK).
 - ANY UL/ULC CLASSIFIED CONCRETE BLOCK WALL.
- OPTIONAL: MAXIMUM 32" NOMINAL DIAMETER STEEL PIPE SLEEVE (SCHEDULE 40 OR HEAVIER).
- PENETRATING ITEM TO BE ONE OF THE FOLLOWING:
 - MAXIMUM 30" NOMINAL DIAMETER STEEL PIPE (SCHEDULE 10 OR HEAVIER).
 - MAXIMUM 30" NOMINAL DIAMETER CAST IRON PIPE.
 - MAXIMUM 6" NOMINAL DIAMETER COPPER PIPE.
 - MAXIMUM 6" NOMINAL DIAMETER STEEL CONDUIT.
 - MAXIMUM 4" NOMINAL DIAMETER EMT.
- MINIMUM 4" THICKNESS MINERAL WOOL (MIN. 4 PCF DENSITY) TIGHTLY PACKED.
- MINIMUM 1/4" DEPTH HILTI FS-ONE INTUMESCENT FIRESTOP SEALANT.
- MINIMUM 1/4" CROWN HILTI FS-ONE INTUMESCENT FIRESTOP SEALANT APPLIED AT POINT OF CONTACT.

NOTES: 1. MAXIMUM DIAMETER OF OPENING = 32".
2. ANNULAR SPACE = MINIMUM 0", MAXIMUM 1-7/8".
3. MINIMUM 1/4" DEPTH HILTI FS-ONE INTUMESCENT FIRESTOP SEALANT IS REQUIRED ON BOTH SIDES OF A WALL ASSEMBLY.

UL/cUL SYSTEM NO. W-L-1054
METAL PIPE THROUGH 1-HR. OR 2-HR. GYPSUM WALL ASSEMBLY
F-RATING = 1-HR. OR 2-HR.
T-RATING = 0-HR.
L-RATING AT AMBIENT = LESS THAN 1 CFM/SQ. FT.
L-RATING AT 400°F = 4 CFM/SQ. FT.



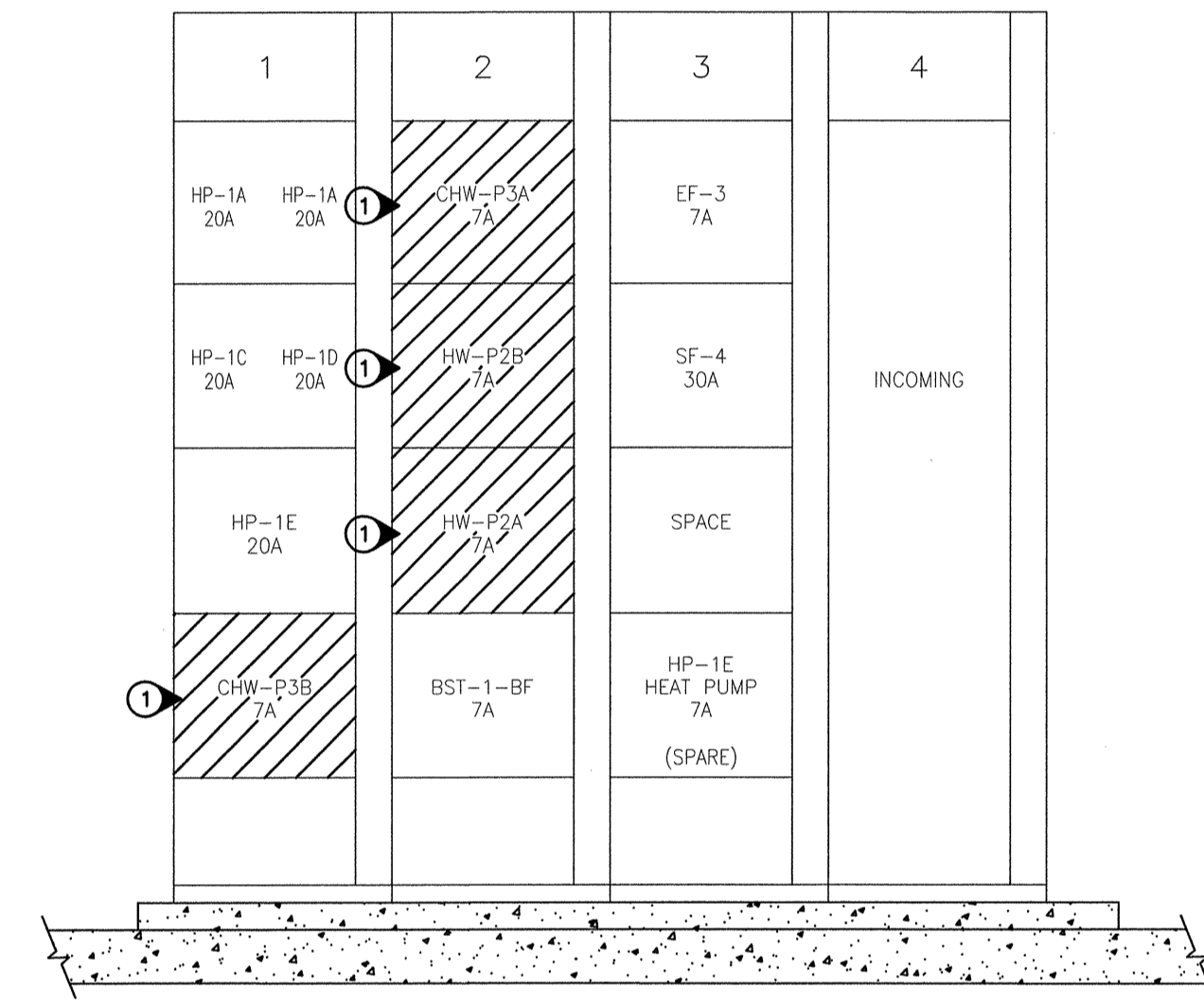
- GYPSUM WALL ASSEMBLY (UL/ULC CLASSIFIED U300 OR U400 SERIES) (1-HR. OR 2-HR. FIRE-RATING) (2-HR. SHOWN).
- (NOT SHOWN). WOOD STUDS TO CONSIST OF NOMINAL 2" x 4" LUMBER. STEEL STUDS TO BE MINIMUM 2-1/2" WIDE.
- PENETRATING ITEM TO BE ONE OF THE FOLLOWING:
 - MAXIMUM 30" DIAMETER STEEL PIPE (SCHEDULE 10 OR HEAVIER).
 - MAXIMUM 30" DIAMETER CAST IRON PIPE.
 - MAXIMUM 6" NOMINAL DIAMETER COPPER PIPE.
 - MAXIMUM 6" NOMINAL DIAMETER STEEL CONDUIT.
 - MAXIMUM 4" NOMINAL DIAMETER EMT.
- HILTI FS-ONE HIGH PERFORMANCE INTUMESCENT FIRESTOP SEALANT:
 - MINIMUM 5/8", FOR A 1-HR. FIRE-RATING.
 - MINIMUM 1-1/4" DEPTH, FOR A 2-HR. FIRE-RATING.
- MINIMUM 1/2" BEAD HILTI FS-ONE HIGH PERFORMANCE INTUMESCENT FIRESTOP SEALANT AT POINT OF CONTACT.

NOTES: 1. MAXIMUM DIAMETER OF OPENING :
A. 32-1/4" FOR STEEL STUD WALLS.
B. 14-1/2" FOR WOOD STUD WALLS.
2. ANNULAR SPACE = MINIMUM 0", MAXIMUM 2-1/2".

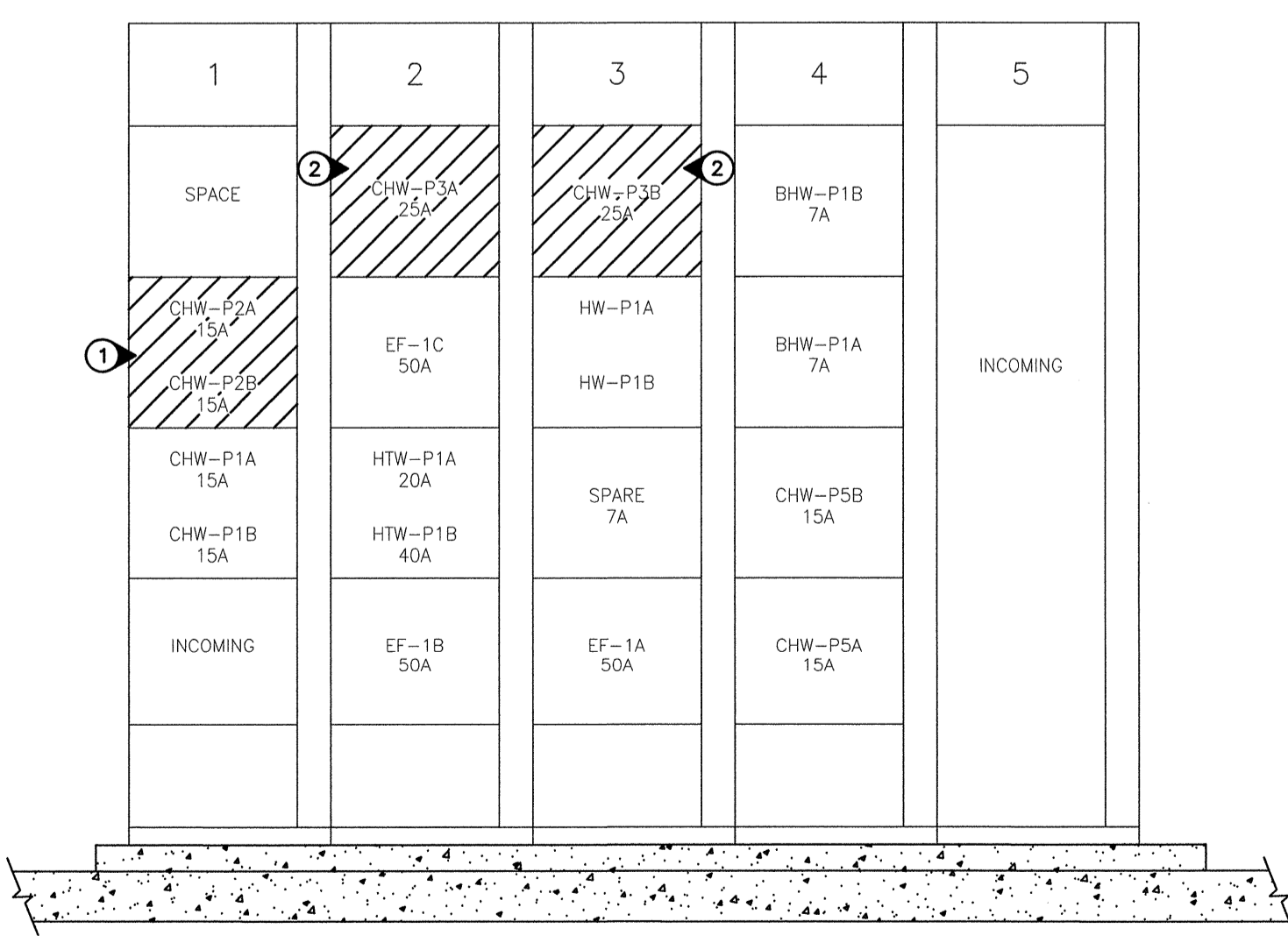
GENERAL NOTES:

- DETAILS SHOWN ARE TYPICAL DETAILS. IF FIELD CONDITIONS DO NOT MATCH REQUIREMENTS OF TYPICAL DETAILS, APPROVED ALTERNATE DETAILS SHALL BE UTILIZED. FIELD CONDITIONS AND DIMENSIONS NEED TO BE VERIFIED FOR COMPLIANCE WITH THE DETAILS, INCLUDING BUT NOT LIMITED TO THE FOLLOWING:
 - * MINIMUM AND MAXIMUM ANNULAR SPACE
 - * TYPE AND THICKNESS OF FIRE-RATED CONSTRUCTION. THE MINIMUM ASSEMBLY RATING OF THE FIRESTOP ASSEMBLY SHALL MEET OR EXCEED THE HIGHEST RATING OF THE ADJACENT CONSTRUCTION.
- IF ALTERNATE DETAILS MATCHING THE FIELD CONDITIONS ARE NOT AVAILABLE, MANUFACTURER'S ENGINEERING JUDGMENT DRAWINGS ARE ACCEPTABLE. DRAWINGS SHALL FOLLOW THE INTERNATIONAL FIRESTOP COUNCIL (IFC) GUIDELINES FOR EVALUATING FIRESTOP SYSTEMS ENGINEERING JUDGMENTS.
- REFERENCES:
 - * 2000 ULC FIRE RESISTANCE DIRECTORY - VOLUME II OR UL PRODUCTS CERTIFIED FOR CANADA (CUL) DIRECTORY
 - * CANADIAN ELECTRICAL CODE
 - * NFPA 101 LIFE SAFETY CODE
 - * ALL GOVERNING LOCAL, PROVINCIAL OR NATIONAL BUILDING CODES
- FIRESTOP SYSTEM INSTALLATIONS MUST MEET REQUIREMENTS OF ULC OR CUL (ULC-S115-M) TESTED ASSEMBLIES THAT PROVIDE THE REQUIRED ASSEMBLY RATING.
 - * ALL RATED ASSEMBLIES SHALL BE PROMINENTLY LABELED WITH THE FOLLOWING INFORMATION:
 - * ATTENTION: FIRE RATED ASSEMBLY
 - * ULC OR CUL #
 - * PRODUCT(S) USED
 - * HOURLY RATING (ASSEMBLY RATING)
 - * INSTALLATION DATE

C
FIRE STOPPING DETAIL
SCALE NONE



A
EXISTING MCC1-A1
SCALE NONE



B
EXISTING MCC1-FA1
SCALE NONE

