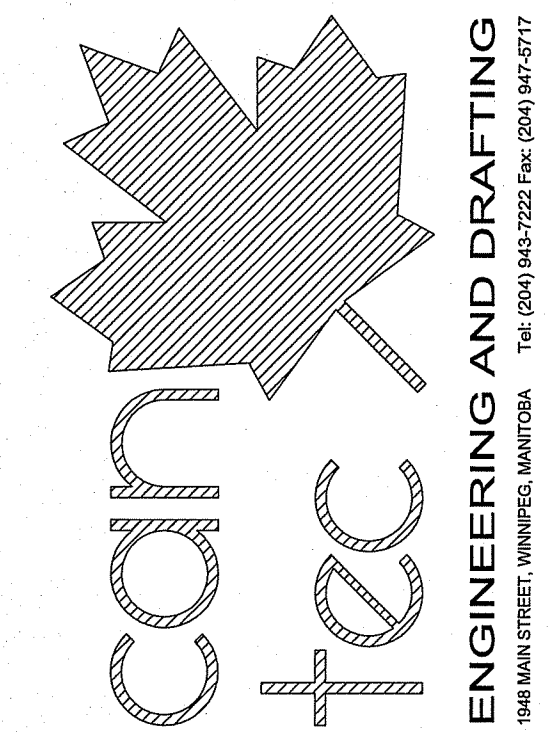


MECHANICAL DRAWING LIST

- M0.1 MECHANICAL SITE PLAN AND MECHANICAL LEGEND
- M1.0 MAIN FLOOR PLAN - PLUMBING
- M1.1 CRAWL SPACE PLUMBING
- M2.0 MAIN FLOOR HVAC PLAN
- M2.1 CRAWL SPACE HVAC PLAN
- M2.2 MECHANICAL MEZZANINE PLAN AND DETAILS
- M2.3 HVAC DETAILS
- M3.0 IN FLOOR HEATING PLAN - MAIN FLOOR
- M5.0 SYSTEM SCHEMATICS

THIS DRAWING MUST NOT BE SCALED.
 THE GENERAL CONTRACTOR SHALL VERIFY ALL DIMENSIONS, DATUMS AND LEVELS PRIOR TO COMMENCEMENT OF WORK AND IS HELD RESPONSIBLE FOR REPORTING ANY DISCREPANCY OR OMISSION TO CAN-TEC SERVICES LTD. IMMEDIATELY.
 THIS DRAWING IS THE EXCLUSIVE PROPERTY OF CAN-TEC SERVICES LTD. AND CAN BE REPRODUCED ONLY WITH THE PERMISSION OF CAN-TEC SERVICES LTD. IN WHICH CASE THE REPRODUCTION MUST BEAR THEIR NAME AS THE ENGINEERING/DRAFTING FIRM.



REV. #	REVISION	DATE (Y/M/D)	BY
00	ISSUED FOR TENDER	14.06.08	JLS
01	ISSUED FOR 95% REVIEW	14.06.08	RS
02	ISSUED FOR 85% REVIEW	14.04.08	RS
03	ISSUED FOR 33% REVIEW	14.02.21	RS



SEALED BY:
AFCON
 Certificate of Authorization
 Can-Tec Services Ltd.
 No. 4189 Date: *June 10, 2014*

01 SITE PLAN - MECHANICAL
 SCALE: 1:500

PLUMBING LEGEND

- SANITARY PIPE
- COLD WATER
- HOT WATER
- RECIRC
- - - VENT PIPE
- ⊥ GATE VALVE
- ⊥ PRESSURE REDUCING VALVE
- ⊥ STRAINER
- ⊥ CHECK VALVE
- ⊥ PUMP
- ⊥ SWING CHECK VALVE
- ⊥ BALL VALVE
- ⊥ CONTROL BALANCING VALVE
- ⊥ ELBOW UP
- ⊥ ELBOW DOWN
- ⊥ PIPE CAP
- ⊥ CONTINUATION
- ⊥ HOSE BIBB VALVE
- ⊥ FLOW DIRECTION
- ⊥ PRESSURE GAUGE WITH SHUT OFF COCK
- ⊥ SCREWED UNION
- ⊥ PRESSURE SWITCH
- ⊥ TEMPERATURE
- ⊥ TWO-WAY CONTROL VALVE
- ⊥ FLOOR DRAIN
- ⊥ FLOOR DRAIN SQUARE
- ⊥ FLOOR DRAIN WITH TRAP
- ⊥ CLEAN OUT PLUG
- C.O. — CLEAN OUT
- F.D. — FLOOR DRAIN
- VTR — VENT TROUGH ROOF
- EW — EYE WASH

HVAC LEGEND

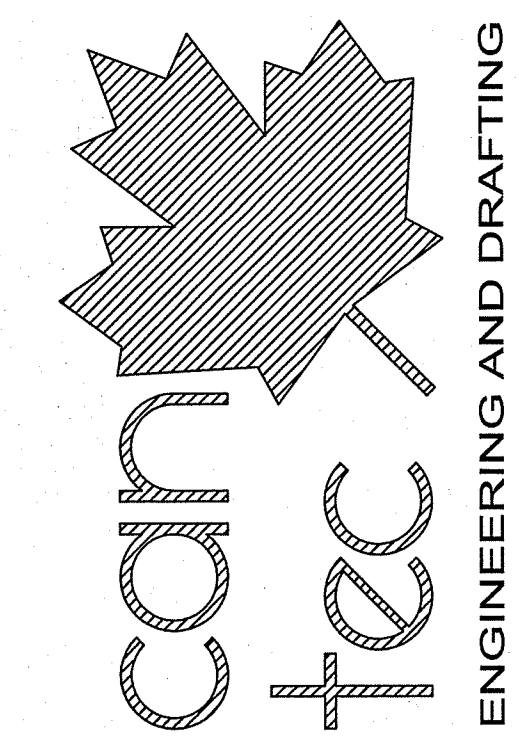
- ⊙ THERMOSTAT
- ⊙ ROOM SENSOR
- ⊙ SWITCH
- ⊙ EQUIPMENT TAG (SEE SCHEDULE)
- ⊙ EQUIPMENT TAG (SEE SCHEDULE)
- ⊙ ACCESS DOOR
- ⊙ TRANSFER SLEEVE
- ⊙ VOLUME BALANCING DAMPER
- ⊙ FIRE DAMPER
- ⊙ FIRE FLAP
- ⊙ BACKDRAFT DAMPER
- ⊙ DIFFUSER AND GRILLE TAG (SEE SCHEDULE)
- ⊙ SUPPLY DUCT DOWN
- ⊙ RETURN DUCT DOWN
- ⊙ SQUARE SUPPLY ELBOW WITH TURNING VANES
- ⊙ 90° RADIUS ELBOW
- ⊙ 45° RADIUS ELBOW
- ⊙ SMALL EXHAUST FAN
- ⊙ MANUAL DAMPER
- ⊙ MECHANICAL DAMPER

PROJECT TITLE: FACILITY BUILDING
 SHEET TITLE: MECHANICAL - SITE PLAN
 DATE (Y/M/D): 13 12 07
 SCALE: AS NOTED
 LOCATION: ISLAND LAKE, MANITOBA

CHECKED BY: NC
 DRAWN BY: RS

TENDER
M0.1
 REVISION #: 00
 JOB NO.: 13-168-01-47

THIS DRAWING MUST NOT BE SCALED.
 THE GENERAL CONTRACTOR SHALL VERIFY ALL DIMENSIONS, DATUMS AND LEVELS PRIOR TO COMMENCEMENT OF WORK AND IS HELD RESPONSIBLE FOR REPORTING ANY DISCREPANCY OR OMISSION TO CAN-TEC SERVICES LTD. IMMEDIATELY.
 THIS DRAWING IS THE EXCLUSIVE PROPERTY OF CAN-TEC SERVICES LTD. AND CAN BE REPRODUCED ONLY WITH THE PERMISSION OF CAN-TEC SERVICES LTD. IN WHICH CASE THE REPRODUCTION MUST BEAR THEIR NAME AS THE ENGINEERING/DRAFTING FIRM.
 http://www.can-teservices.com



ENGINEERING AND DRAFTING
 1948 MAIN STREET, WINNIPEG, MANITOBA, CANADA R2T 1A7
 TEL: (204) 942-7222 FAX: (204) 947-5777

REV. #	DATE (YY/MM/DD)	BY	REVISION
1	14/02/14	JLS	ISSUED FOR TENDER
2	14/04/08	JLS	ISSUED FOR 65% REVIEW
3	14/02/21	JLS	ISSUED FOR 35% REVIEW

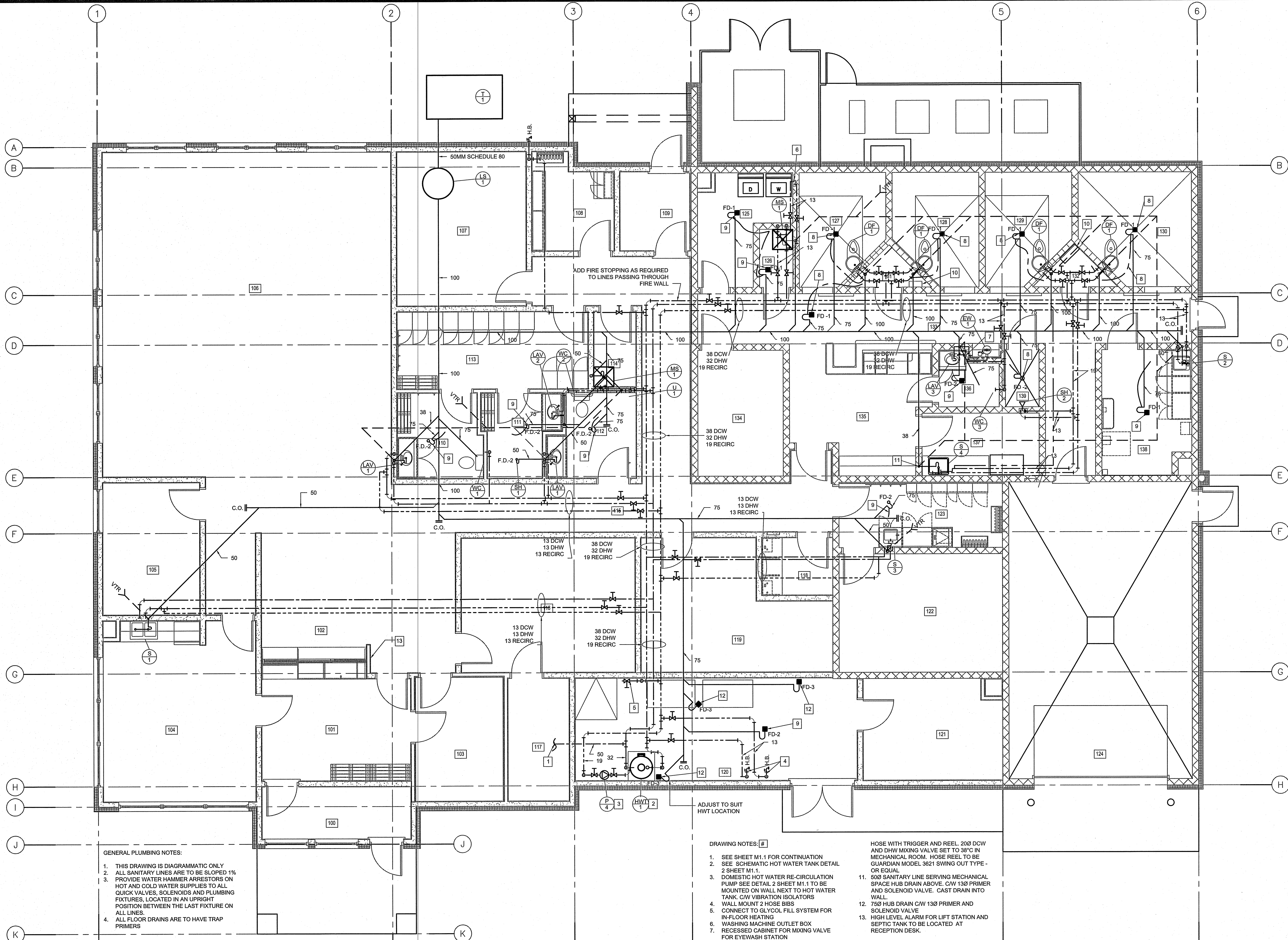
SEAL BY:

 Certificate of Authorization
 Can-Tec Services Ltd.
 No. 4189 Date: June 10, 2014

PROJECT TITLE: FACILITY BUILDING
 SHEET TITLE: MAIN FLOOR PLUMBING
 DATE (YY/MM/DD): 14/02/14
 SCALE: AS NOTED
 LOCATION: ISLAND LAKE, MANITOBA

CHECKED BY: JLS
 DRAWN BY: RS
 AS NOTED

TENDER
M1.0
 REVISION #: 00
 JOB NO.: 13-168-01-47



GENERAL PLUMBING NOTES:

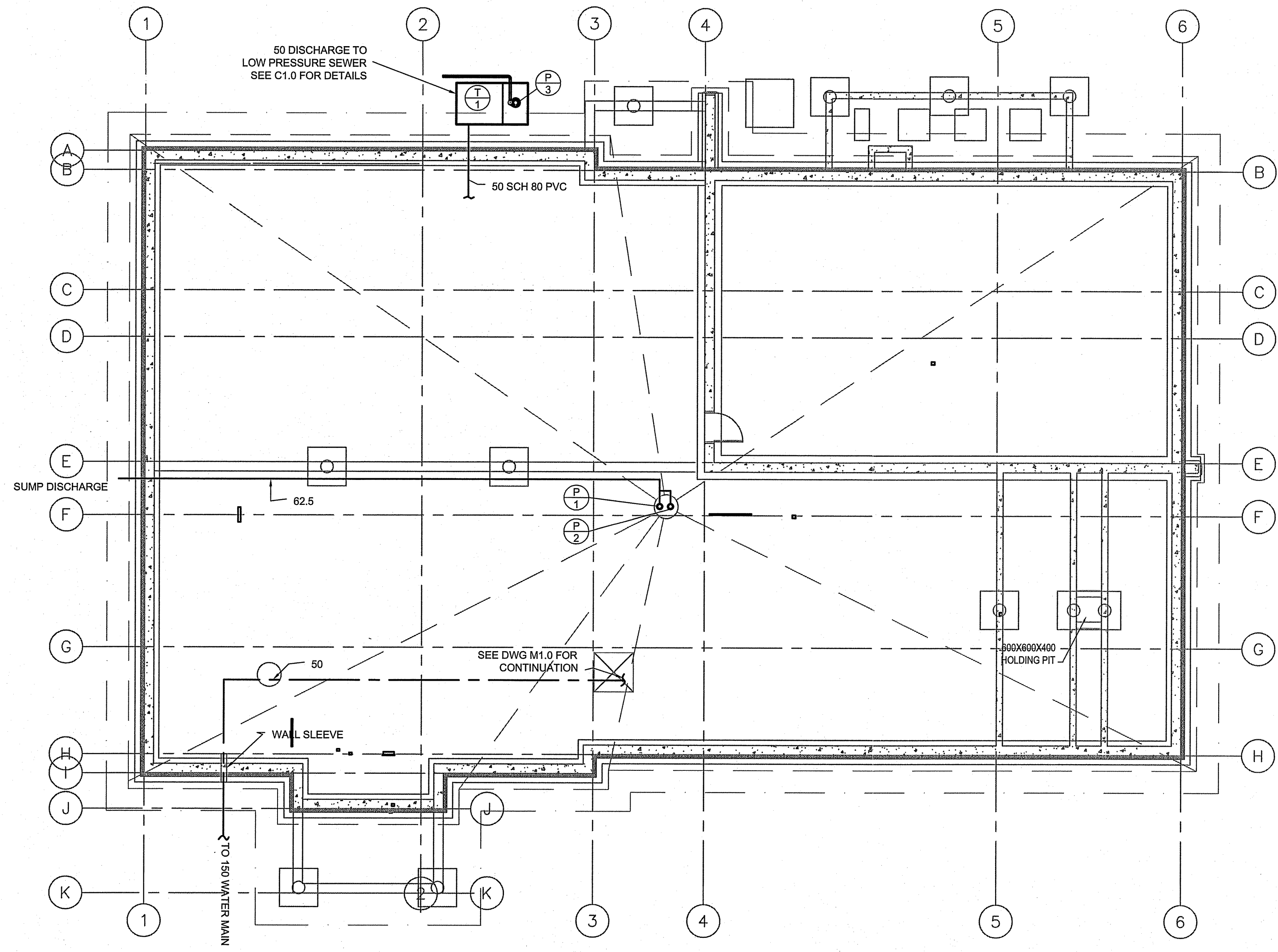
- THIS DRAWING IS DIAGRAMMATIC ONLY
- ALL SANITARY LINES ARE TO BE SLOPED 1%
- PROVIDE WATER HAMMER ARRESTORS ON HOT AND COLD WATER SUPPLIES TO ALL QUICK VALVES, SOLENOIDS AND PLUMBING FIXTURES, LOCATED IN AN UPRIGHT POSITION BETWEEN THE LAST FIXTURE ON ALL LINES
- ALL FLOOR DRAINS ARE TO HAVE TRAP PRIMERS

DRAWING NOTES: #

- SEE SHEET M1.1 FOR CONTINUATION
- SEE SCHEMATIC HOT WATER TANK DETAIL 2 SHEET M1.1.
- DOMESTIC HOT WATER RE-CIRCULATION PUMP SEE DETAIL 2 SHEET M1.1 TO BE MOUNTED ON WALL NEXT TO HOT WATER TANK. CW VIBRATION ISOLATORS
- WALL MOUNT 2 HOSE BIBS
- CONNECT TO GLYCOL FILL SYSTEM FOR IN-FLOOR HEATING
- WASHING MACHINE OUTLET BOX
- RECESSED CABINET FOR MIXING VALVE FOR EYEWASH STATION
- 75Ø FLOOR DRAIN WITH TAMPER PROOF GRATING AND SECURITY SCREWS. ALL TO BE COMPLETE WITH 13 TRAP PRIMER
- 75Ø FLOOR DRAIN CW 13 TRAP PRIMER
- 20Ø DIAMETER HOSE BIBB ALONG WITH 12M

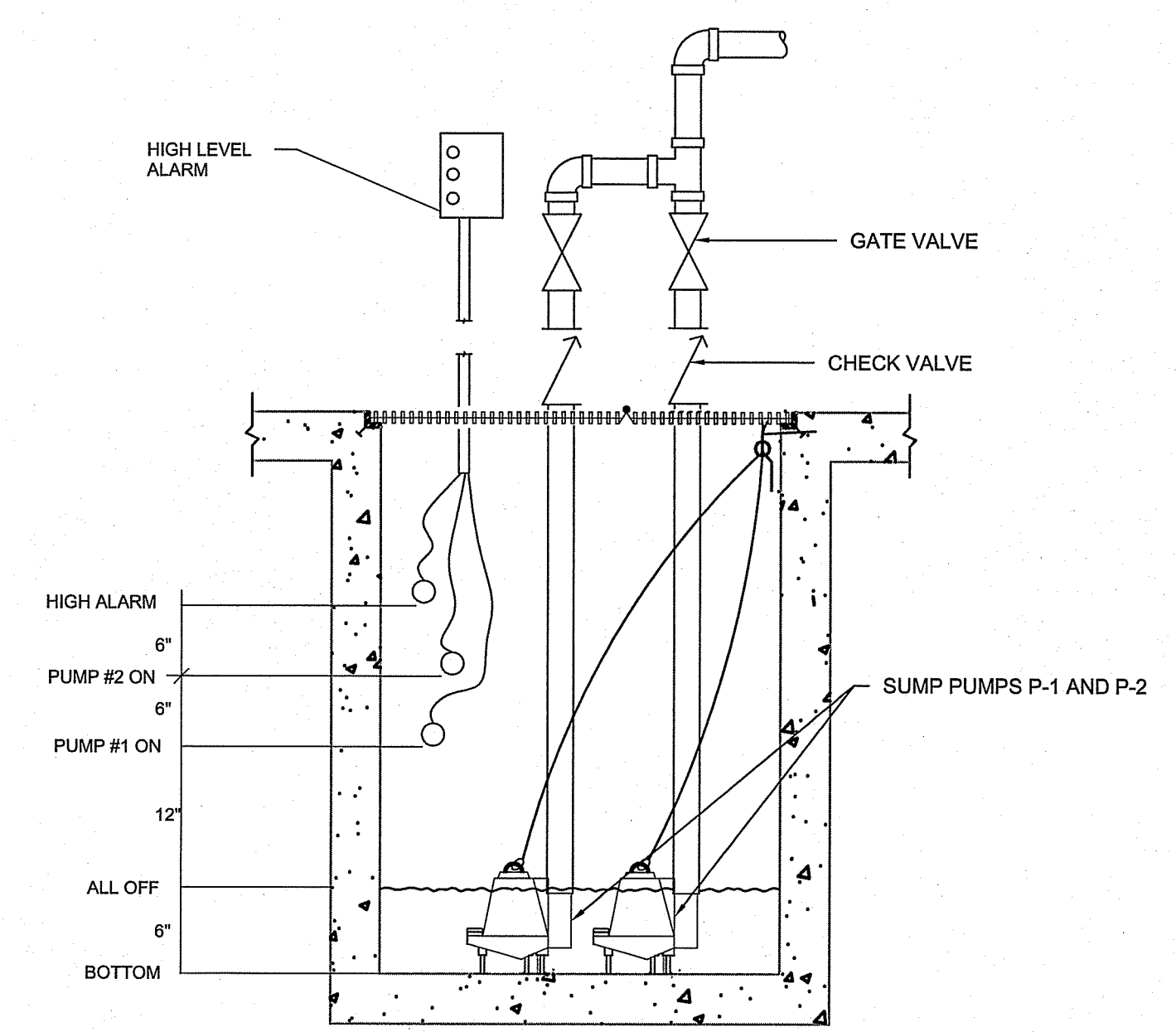
- 50Ø SANITARY LINE SERVING MECHANICAL SPACE HUB DRAIN ABOVE. CW 13Ø PRIMER AND SOLENOID VALVE. CAST DRAIN INTO WALL
- 75Ø HUB DRAIN CW 13Ø PRIMER AND SOLENOID VALVE
- HIGH LEVEL ALARM FOR LIFT STATION AND SEPTIC TANK TO BE LOCATED AT RECEPTION DESK.

1 MAIN FLOOR PLAN - PLUMBING
 M1.0 SCALE: 1:50

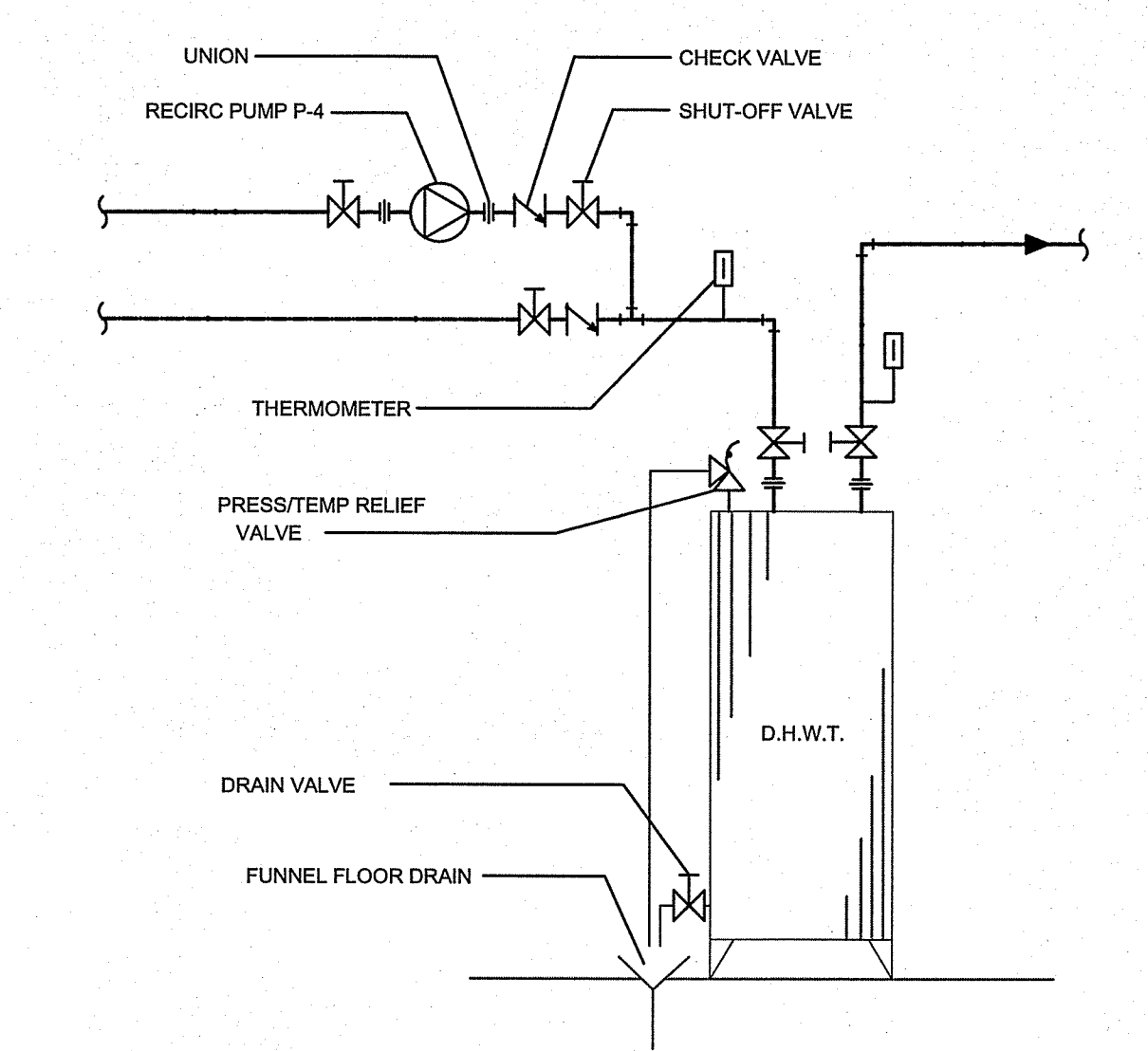


1 CRAWL SPACE PLUMBING PLAN
M1.1(M1.1) SCALE: 1:100

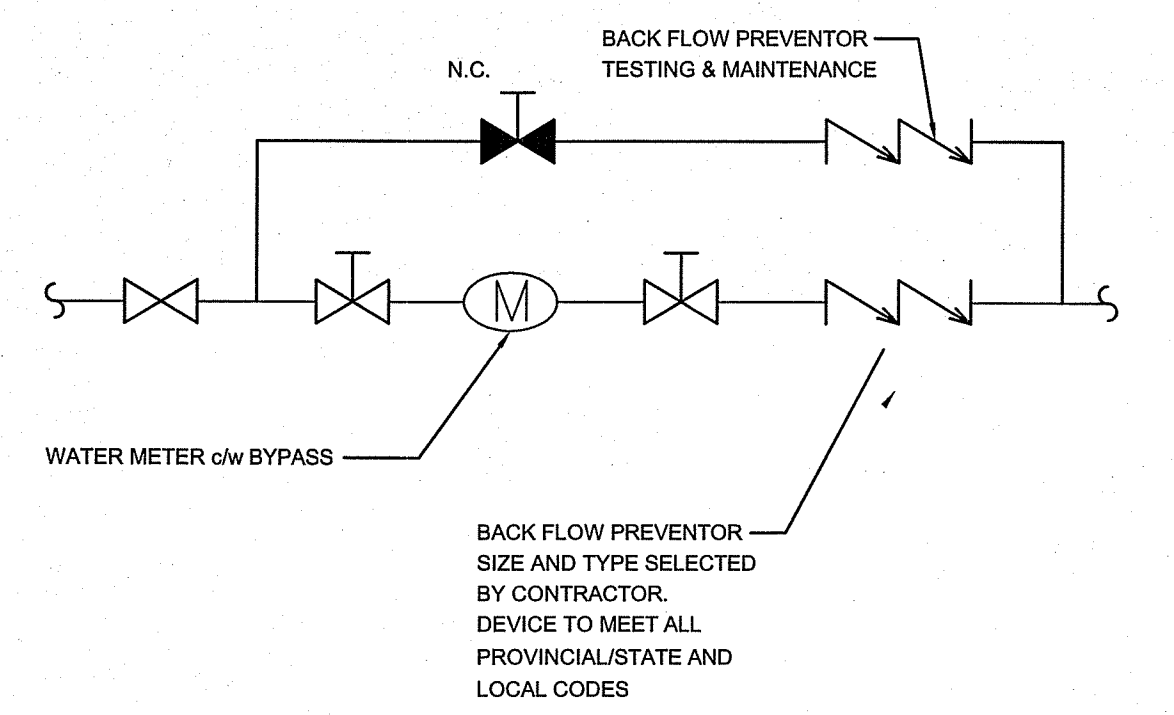
PLUMBING FIXTURE CONNECTION SIZES					
SYMBOL	NAME	WATER HOT	WATER COLD	WASTE	VENT
DF-1	DETENTION FIXTURE	130	400	1000	500
WC-1	WATER CLOSET		120	750	500
WC-2	WATER CLOSET		120	750	500
WC-3	WATER CLOSET		120	750	500
LAV-1	LAVATORIES	120	120	380	380
LAV-2	LAVATORIES	120	120	380	380
LAV-3	LAVATORIES	120	120	380	380
SH-1	SHOWER	120	120	380	380
SH-2	SHOWER	120	120	380	380
	CLOTHES WASHER	120	120	380	380
MS-1	MOP SINK	120	120	500	500
S-1, S-2	SINK	120	120	380	380
S-3	SINK	120	120	500	500



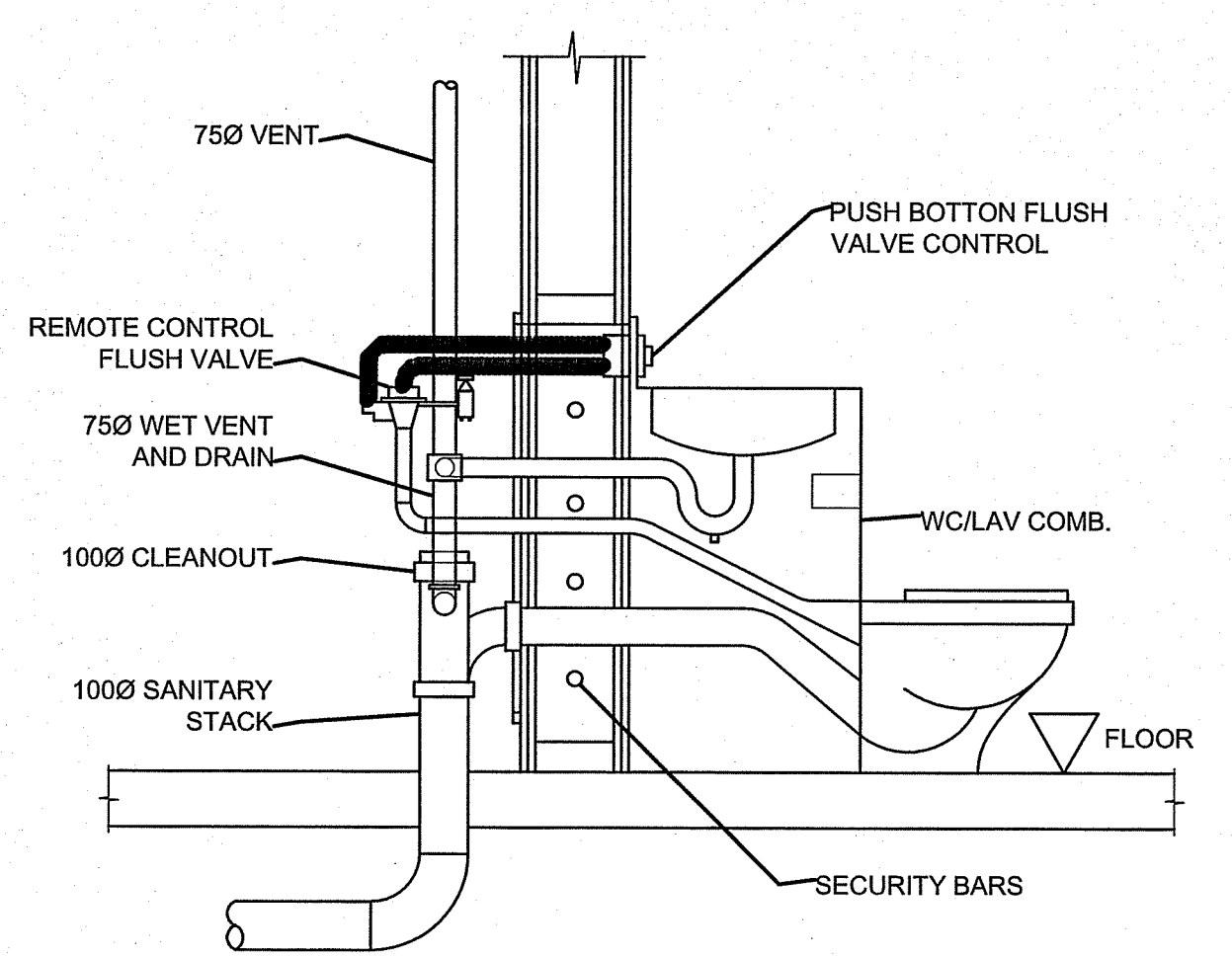
6 TYPICAL SUMP PUMP
M1.1(M1.1) SCALE: NTS



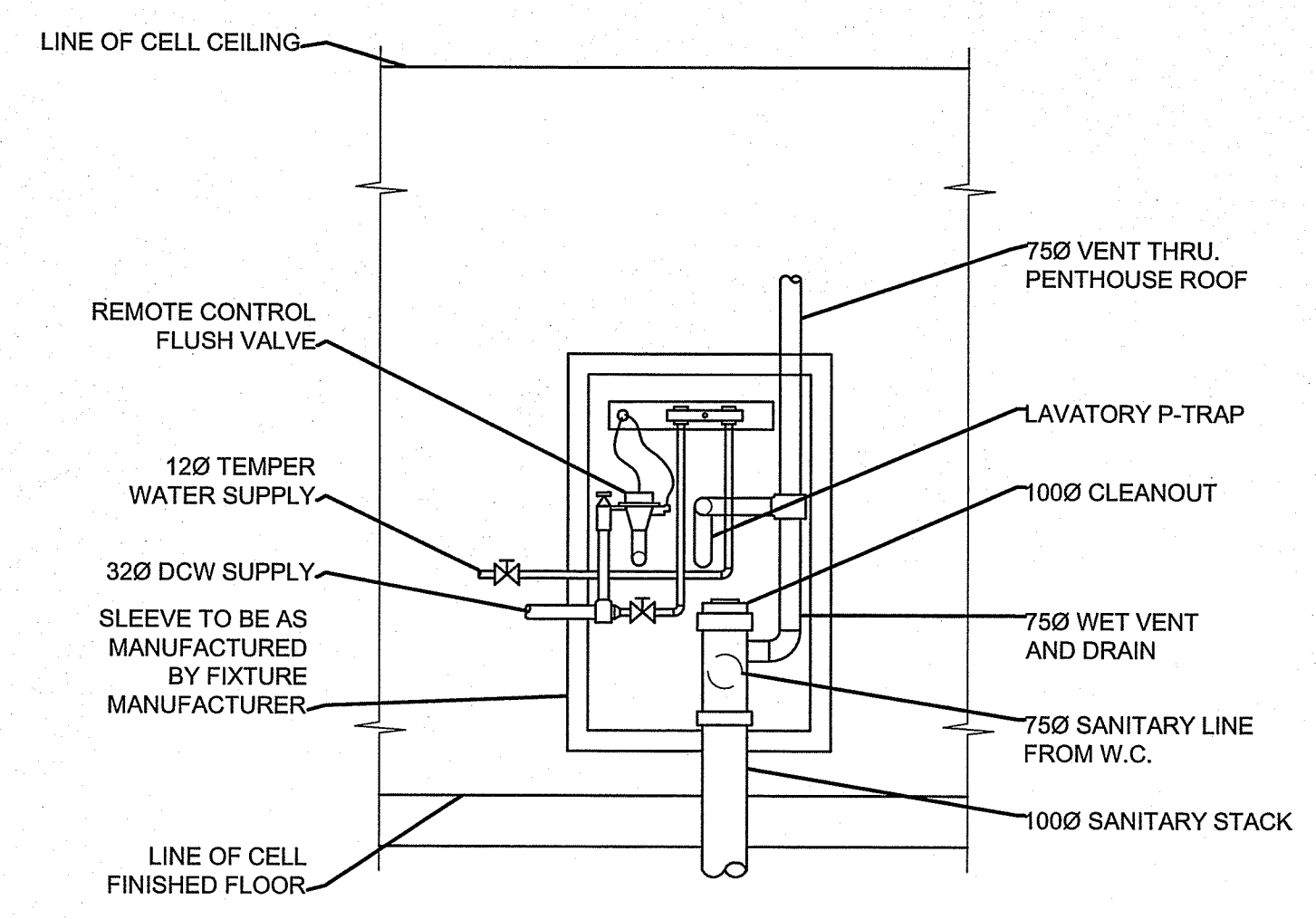
2 HOT WATER HEATER SCHEMATIC
M1.1(M1.1) SCALE: NTS



3 TYPICAL WATER SERVICE CONNECTION
M1.1(M1.1) SCALE: NTS

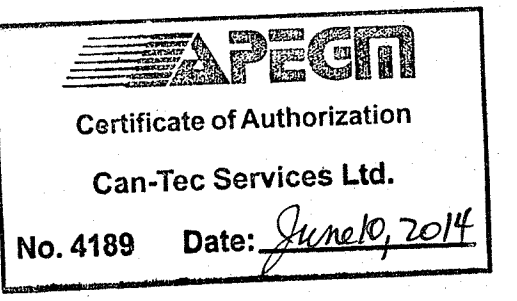
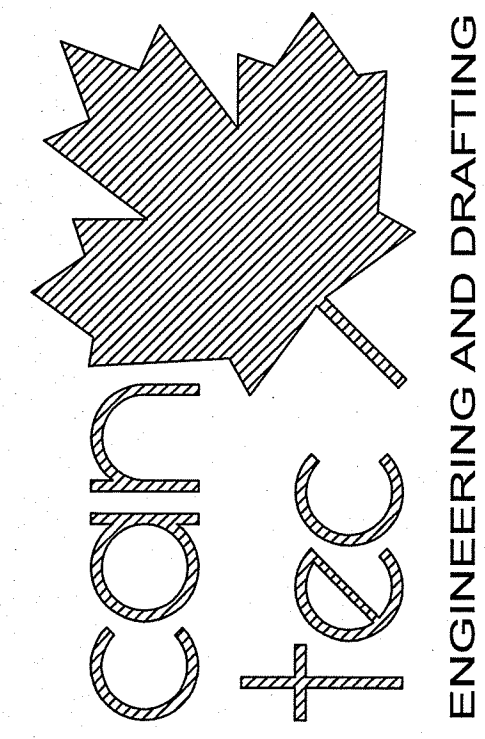


4 TYPICAL SECTION THROUGH CELL FIXTURE
M1.1(M1.1) SCALE: NTS



5 TYPICAL REAR VIEW OF CELL FIXTURE
M1.1(M1.1) SCALE: NTS

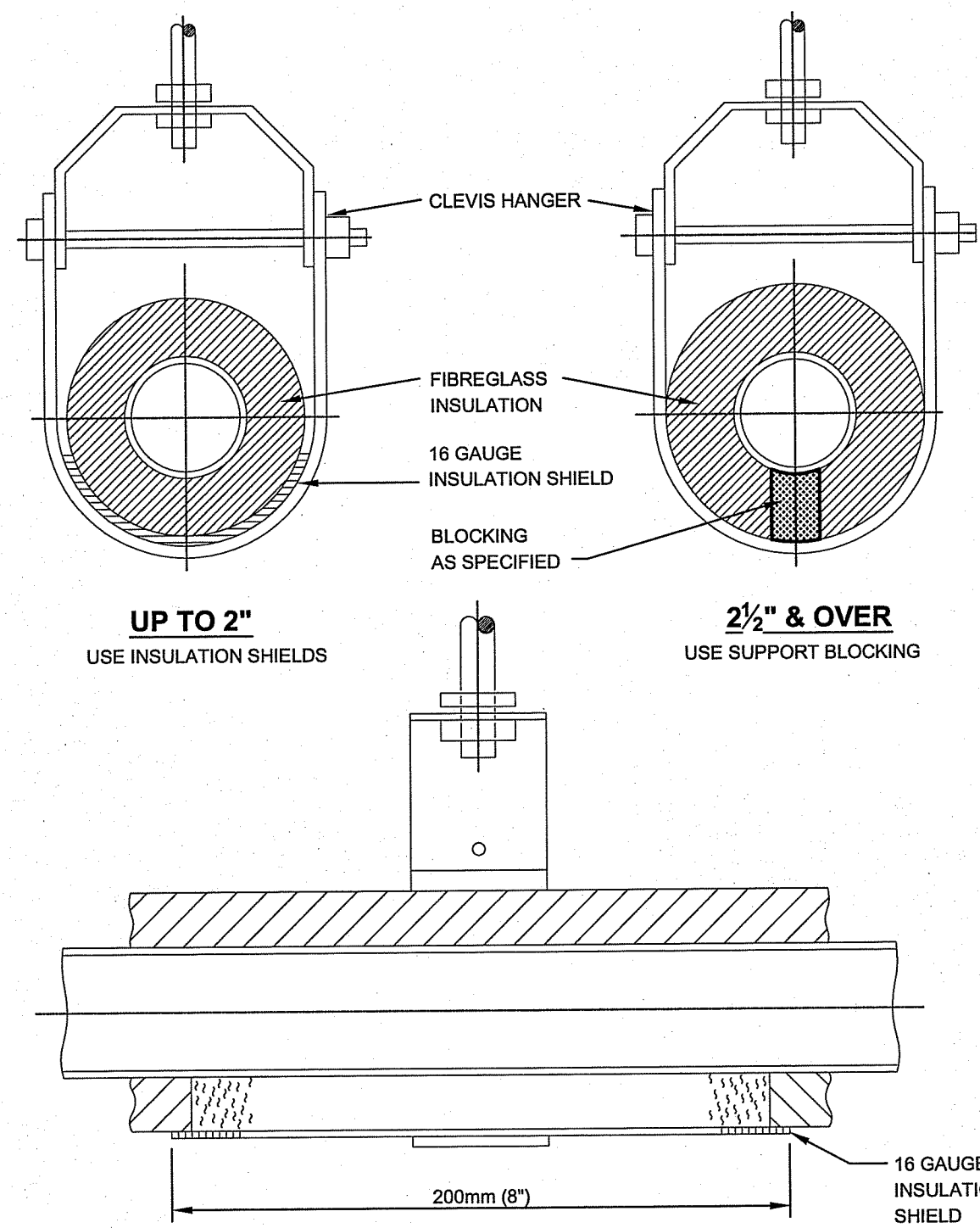
THIS DRAWING MUST NOT BE SCALED.
THE GENERAL CONTRACTOR SHALL VERIFY ALL DIMENSIONS, DATUMS AND LEVELS PRIOR TO COMMENCEMENT OF WORK AND IS HELD RESPONSIBLE FOR REPORTING ANY DISCREPANCY OR OMISSION TO CAN-TEC SERVICES LTD. IMMEDIATELY.
THIS DRAWING IS THE EXCLUSIVE PROPERTY OF CAN-TEC SERVICES LTD. AND CAN BE REPRODUCED ONLY WITH THE PERMISSION OF CAN-TEC SERVICES LTD. IN WHICH CASE THE REPRODUCTION MUST BEAR THEIR NAME AS THE ENGINEERING/DRAFTING FIRM.



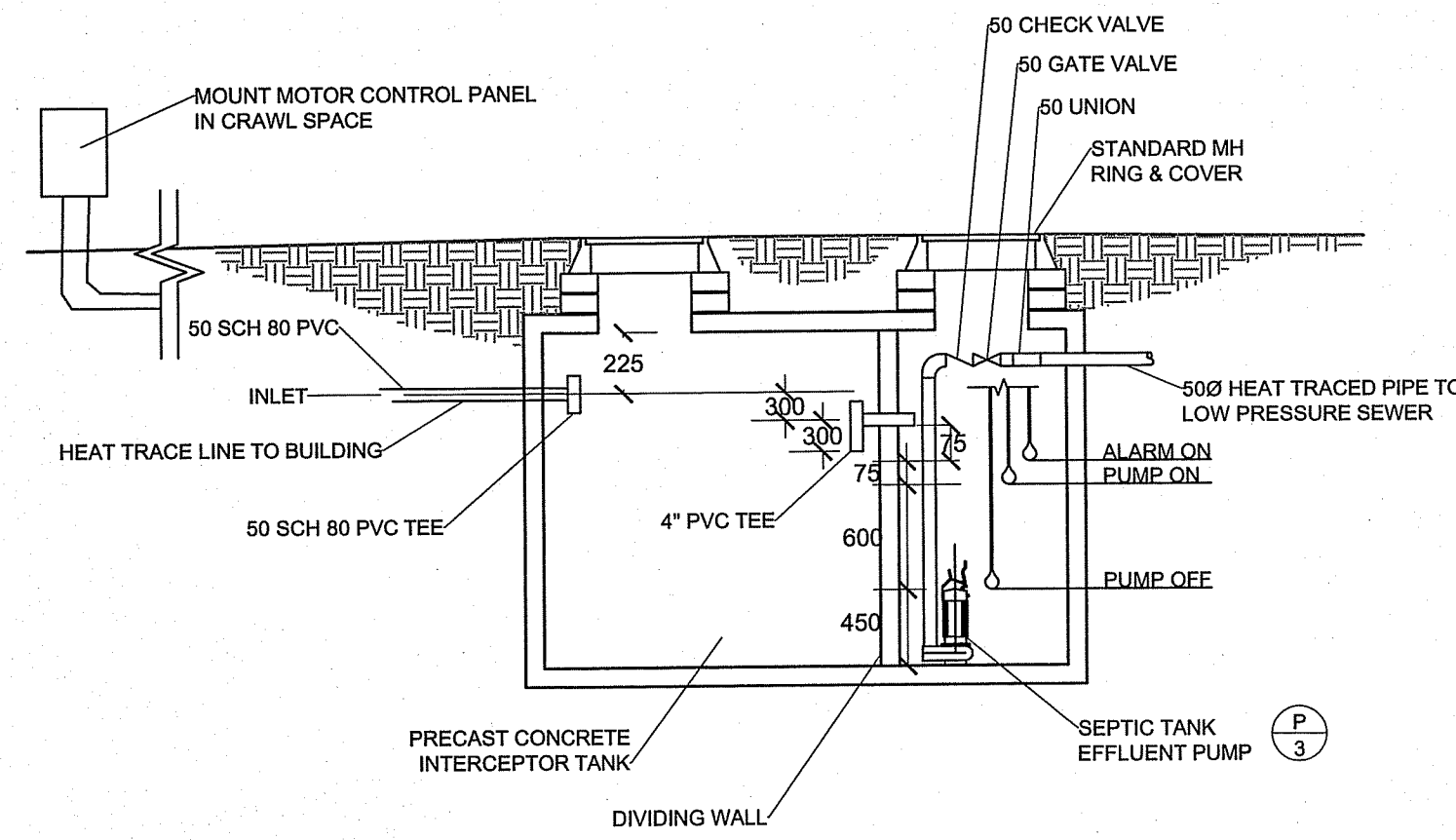
REV.#	DATE (Y/M/D)	BY	REVISION
00	14/01/09	JLS	ISSUED FOR TENDER
01	14/01/09	JLS	ISSUED FOR 60% REVIEW
02	14/02/11	JLS	ISSUED FOR 30% REVIEW
03	14/02/11	JLS	REVISION

PROJECT TITLE: FACILITY BUILDING
SHEET TITLE: CRAWL SPACE PLUMBING PLAN AND DETAILS
DATE (Y/M/D): 14/02/14
SCALE: AS NOTED
DRAWN BY: RS
CHECKED BY: JLS
LOCATION: ISLAND LAKE, MANITOBA

TENDER
M1.1
REVISION #: 00
JOB NO. 13-168-01-47



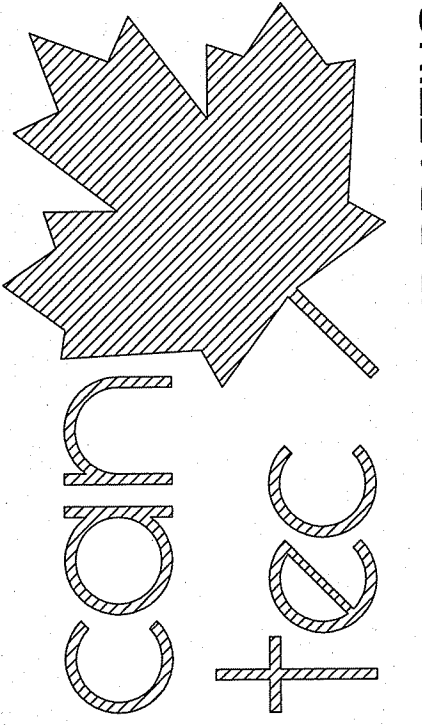
1 TYPICAL PIPE HANGER DETAIL
SCALE: NTS



2 1500 GALLON SEPTIC TANK DETAIL
SCALE: NTS

NOTE:
ALARM TO BE LOCATED AT FRONT RECEPTION DESK

THIS DRAWING MUST NOT BE SCALED.
THE GENERAL CONTRACTOR SHALL VERIFY ALL DIMENSIONS, DATUMS AND LEVELS PRIOR TO COMMENCEMENT OF WORK AND IS HELD RESPONSIBLE FOR REPORTING ANY DISCREPANCY OR OMISSION TO CAN-TEC SERVICES LTD. IMMEDIATELY.
THIS DRAWING IS THE EXCLUSIVE PROPERTY OF CAN-TEC SERVICES LTD. AND CAN BE REPRODUCED ONLY WITH THE PERMISSION OF CAN-TEC SERVICES LTD. IN WHICH CASE THE REPRODUCTION MUST BEAR THEIR NAME AS THE ENGINEERING DRAFTING FIRM.



ENGINEERING AND DRAFTING
186 MAIN STREET, WINNIPEG, MANITOBA
Tel: (204) 943-7222 Fax: (204) 947-5717
http://www.can-tec-services.com



REV. #	REVISION	DATE (Y/M/D)	ISSUED FOR	REVIEW	U.S.	RS.	BY
C	ISSUED FOR 85% REVIEW	14.02.08			JLS		
B	ISSUED FOR 65% REVIEW	14.02.08			JLS		
A	ISSUED FOR 33% REVIEW	14.02.21			JLS		

SEAL BY:

PROJECT TITLE
FACILITY BUILDING

SHEET TITLE
PLUMBING DETAILS

DATE (Y/M/D)
14.02.14

SCALE
AS NOTED

LOCATION
ISLAND LAKE, MANITOBA

CHECKED BY
JLS

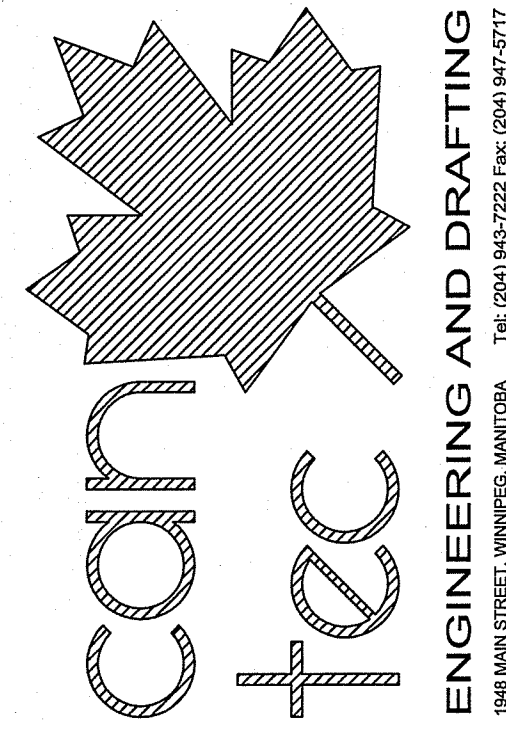
DRAWN BY
RS

DESIGN STAGE
M1.2

REVISION #
B

JOB NO.
13-168-01-47

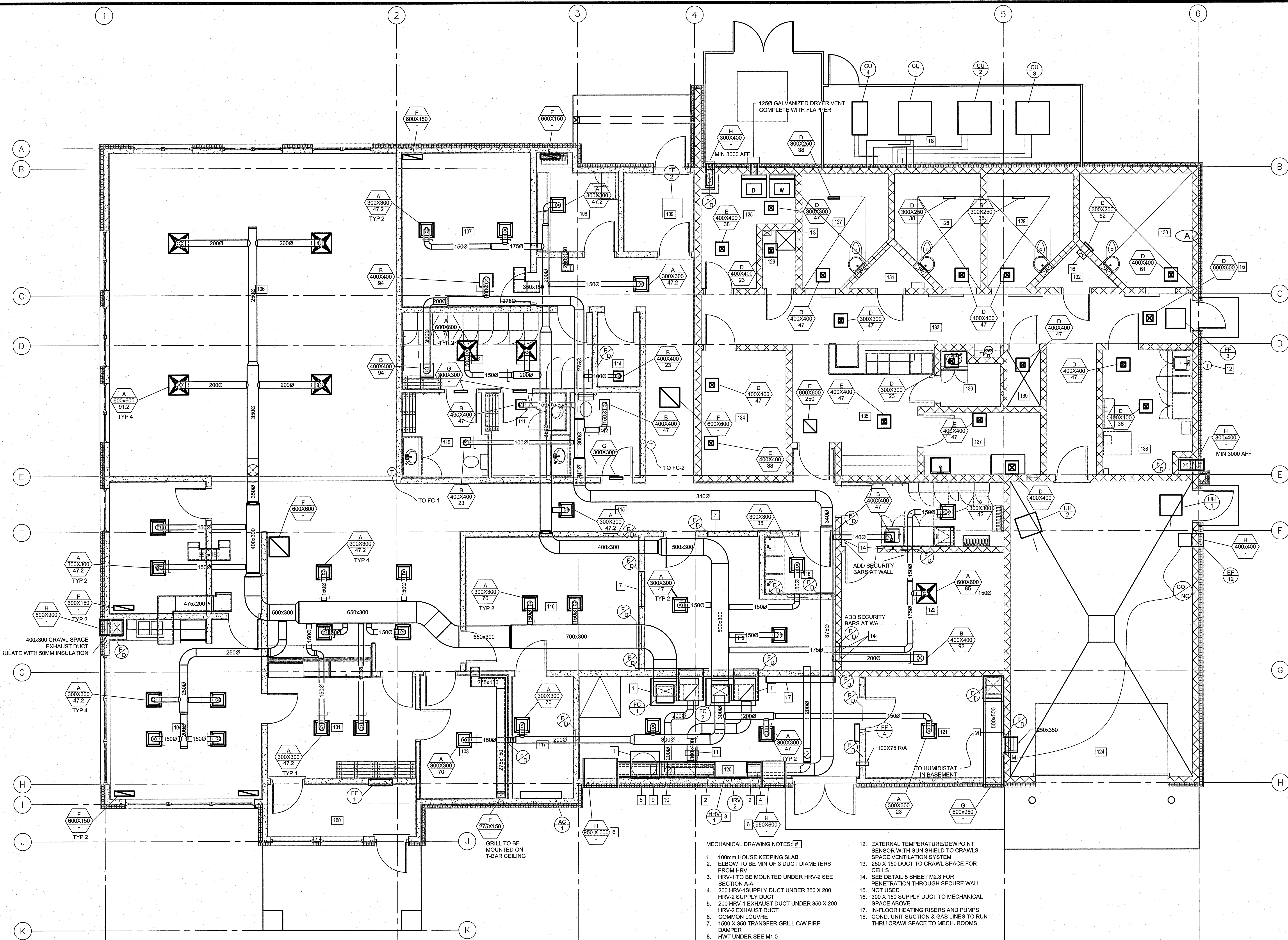
THIS DRAWING MUST NOT BE SCALED.
 THE GENERAL CONTRACTOR SHALL VERIFY ALL DIMENSIONS, DATUMS AND LEVELS PRIOR TO COMMENCEMENT OF WORK AND IS HELD RESPONSIBLE FOR REPORTING ANY DISCREPANCY OR OMISSION TO CAN-TEC SERVICES LTD. IMMEDIATELY.
 THIS DRAWING IS THE EXCLUSIVE PROPERTY OF CAN-TEC SERVICES LTD. AND CAN BE REPRODUCED ONLY WITH THE PERMISSION OF CAN-TEC SERVICES LTD. IN WHICH CASE THE REPRODUCTION MUST BEAR THEIR NAME AS THE ENGINEERING/DRAFTING FIRM.



1948 MAIN STREET, WINNIPEG, MANITOBA
 ENGINEERING AND DRAFTING
 REGISTERED PROFESSIONAL ENGINEER
 J.V. LOESEL SITAR
 June 10, 2014
 REVISIONS:
 AS ISSUED
 RS 14.02.14
 AS NOTED
 RS 14.02.14
 DATE (Y/M/D) BY

SEAL BY:
APFCM
 Certificate of Authorization
 Can-Tec Services Ltd.
 No. 4189 Date: June 12, 2014

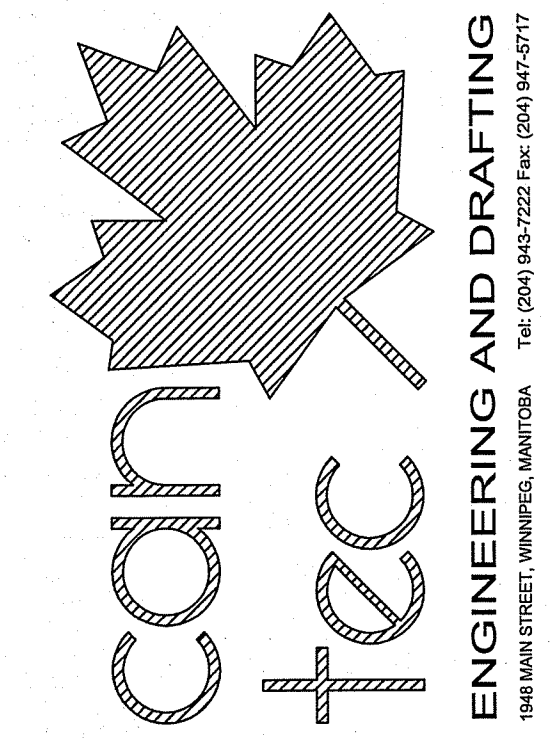
PROJECT TITLE: **FACILITY BUILDING**
 SHEET TITLE: **MAIN FLOOR HVAC**
 DATE (Y/M/D): 14.02.14
 SCALE: AS NOTED
 LOCATION: ISLAND LAKE, MANITOBA
 CHECKED BY: JLS
 DRAWN BY: RS
 REVISION #: 00
TENDER
M2.0
 JOB NO.: 13-168-01-47



- MECHANICAL DRAWING NOTES: #
- 100mm HOUSE KEEPING SLAB
 - ELBOW TO BE MIN OF 3 DIAMETERS FROM HRV
 - HRV-1 TO BE MOUNTED UNDER HRV-2 SEE SECTION A-A
 - 200 HRV-1 SUPPLY DUCT UNDER 350 X 200 HRV-2 SUPPLY DUCT
 - 200 HRV-1 EXHAUST DUCT UNDER 350 X 200 HRV-2 EXHAUST DUCT
 - COMMON LOUVRE
 - 1500 X 350 TRANSFER GRILL C/W FIRE DAMPER
 - HWT UNDER SEE M1.0
 - 7 KW DUCT HEATER FOR HRV-1
 - 20 KW DUCT HEATER FOR HRV-2
 - 15 KW DUCT HEATER FOR HRV-2
 - EXTERNAL TEMPERATURE/DEWPOINT SENSOR WITH SUN SHIELD TO CRAWLS SPACE VENTILATION SYSTEM
 - 250 X 150 DUCT TO CRAWL SPACE FOR CELLS
 - SEE DETAIL 6 SHEET M2.3 FOR PENETRATION THROUGH SECURE WALL
 - NOT USED
 - 300 X 150 SUPPLY DUCT TO MECHANICAL SPACE ABOVE
 - IN-FLOOR HEATING RISERS AND PUMPS' COND. UNIT SUCTION & GAS LINES TO RUN THRU CRAWLSPACE TO MECH. ROOMS

1 MAIN FLOOR HVAC PLAN
 M2.0(2.0) SCALE: 1:50

THIS DRAWING MUST NOT BE SCALED.
 THE GENERAL CONTRACTOR SHALL VERIFY ALL DIMENSIONS, DATUMS AND LEVELS PRIOR TO COMMENCEMENT OF WORK AND IS HELD RESPONSIBLE FOR REPORTING ANY DISCREPANCY OR OMISSION TO CAN-TEC SERVICES LTD. IMMEDIATELY.
 THIS DRAWING IS THE EXCLUSIVE PROPERTY OF CAN-TEC SERVICES LTD. AND CAN BE REPRODUCED ONLY WITH THE PERMISSION OF CAN-TEC SERVICES LTD. IN WHICH CASE THE REPRODUCTION MUST BEAR THEIR NAME AS THE ENGINEERING DRAFTING FIRM.



PROVINCE OF MANITOBA
 JUNE 10, 2014
 J.V. LOESEL SITAR
 REGISTERED PROFESSIONAL ENGINEER

REV. #	REVISION	DATE (Y/M/D)	BY
1	ISSUED FOR TENDER	14.06.08	JLS
2	ISSUED FOR 90% REVIEW	14.06.08	RS
3	ISSUED FOR 80% REVIEW	14.06.08	JLS
4	ISSUED FOR 35% REVIEW	14.02.21	JLS

SEALED BY:
APEGM
 Certificate of Authorization
 Can-Tec Services Ltd.
 No. 4189 Date: June 10, 2014

PROJECT TITLE
FACILITY BUILDING

SHEET TITLE
CRAWL SPACE HVAC

DATE (Y/M/D)
 14.02.14

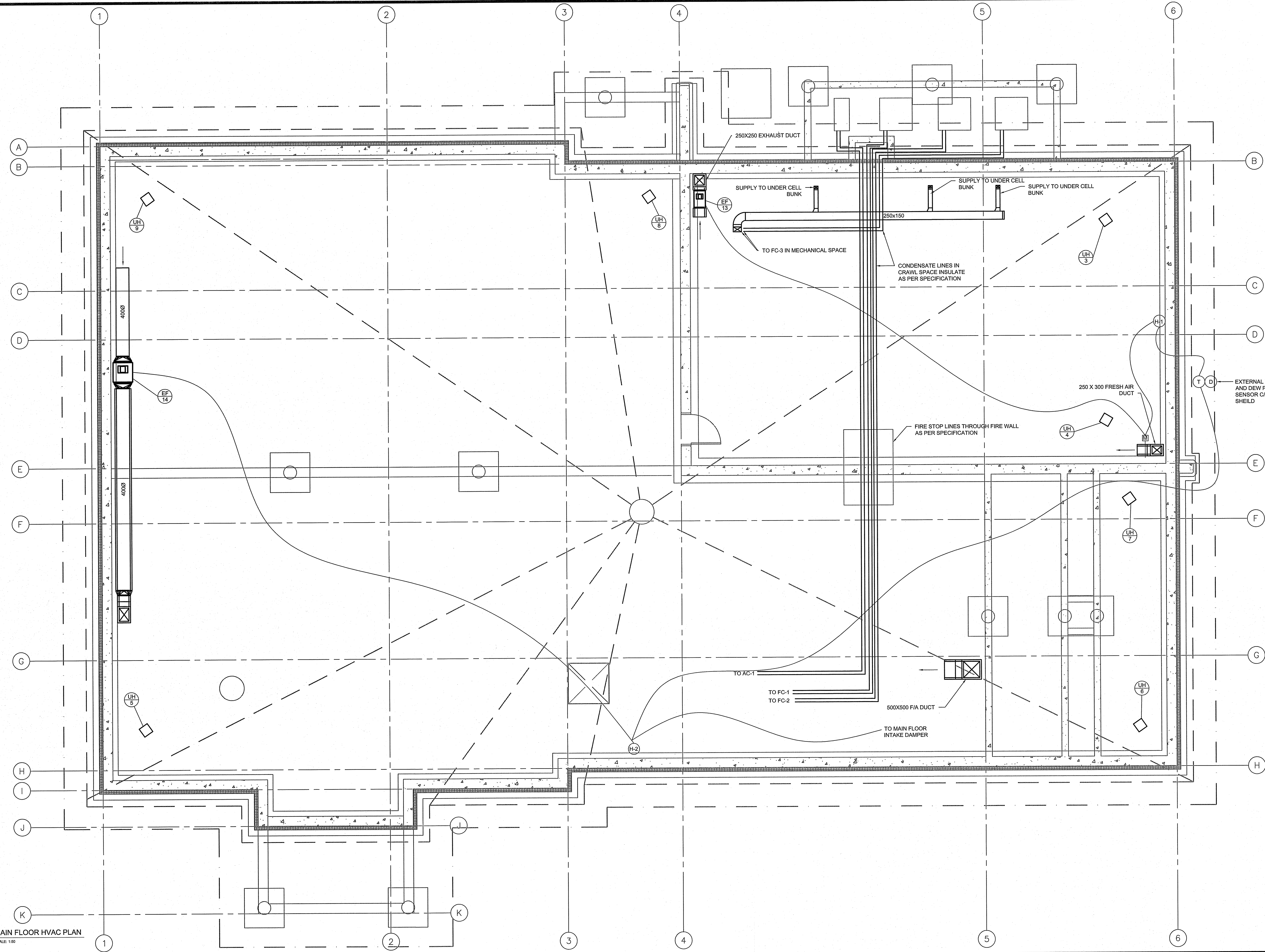
SCALE
 AS NOTED

LOCATION
 ISLAND LAKE, MANITOBA

ORDERED BY
 JLS

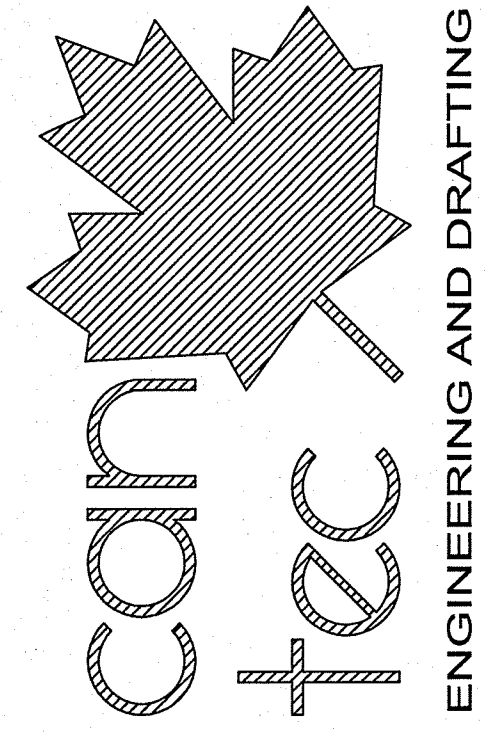
DRAWN BY
 RS

TENDER
M2.1
 REVISION # 00
 JOB NO. 13-168-01-47



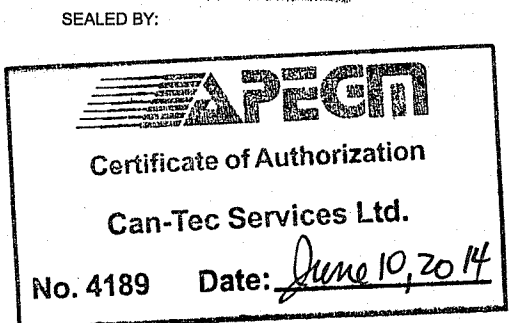
1 MAIN FLOOR HVAC PLAN
 M2.1 SCALE: 1:50

THIS DRAWING MUST NOT BE SCALED.
 THE GENERAL CONTRACTOR SHALL VERIFY ALL DIMENSIONS, DATINGS AND LEVELS PRIOR TO COMMENCEMENT OF WORK AND IS HELD RESPONSIBLE FOR REPORTING ANY DISCREPANCY OR OMISSION TO CAN-TEC SERVICES LTD. IMMEDIATELY.
 THIS DRAWING IS THE EXCLUSIVE PROPERTY OF CAN-TEC SERVICES LTD. AND CAN BE REPRODUCED ONLY WITH THE PERMISSION OF CAN-TEC SERVICES LTD. IN WHICH CASE THE REPRODUCTION MUST BEAR THEIR NAME AS THE ENGINEERING/DRAFTING FIRM.
 http://www.can-teservices.com



ENGINEERING AND DRAFTING
 1948 MAIN STREET, WINNIPEG, MANITOBA
 TEL: (204) 943-7222 Fax: (204) 947-8771

ISSUED FOR TENDER 14.08.08
 ISSUED FOR 60% REVIEW 14.08.08
 ISSUED FOR 90% REVIEW 14.02.11
 DATE (YY MM DD) BY
 REV. # REVISION



CHECKED BY
 JLS

DRAWN BY
 RS

SCALE
 AS NOTED

DATE (YY MM DD)
 14 02 14

LOCATION
 ISLAND LAKE, MANITOBA

PROJECT TITLE
FACILITY BUILDING

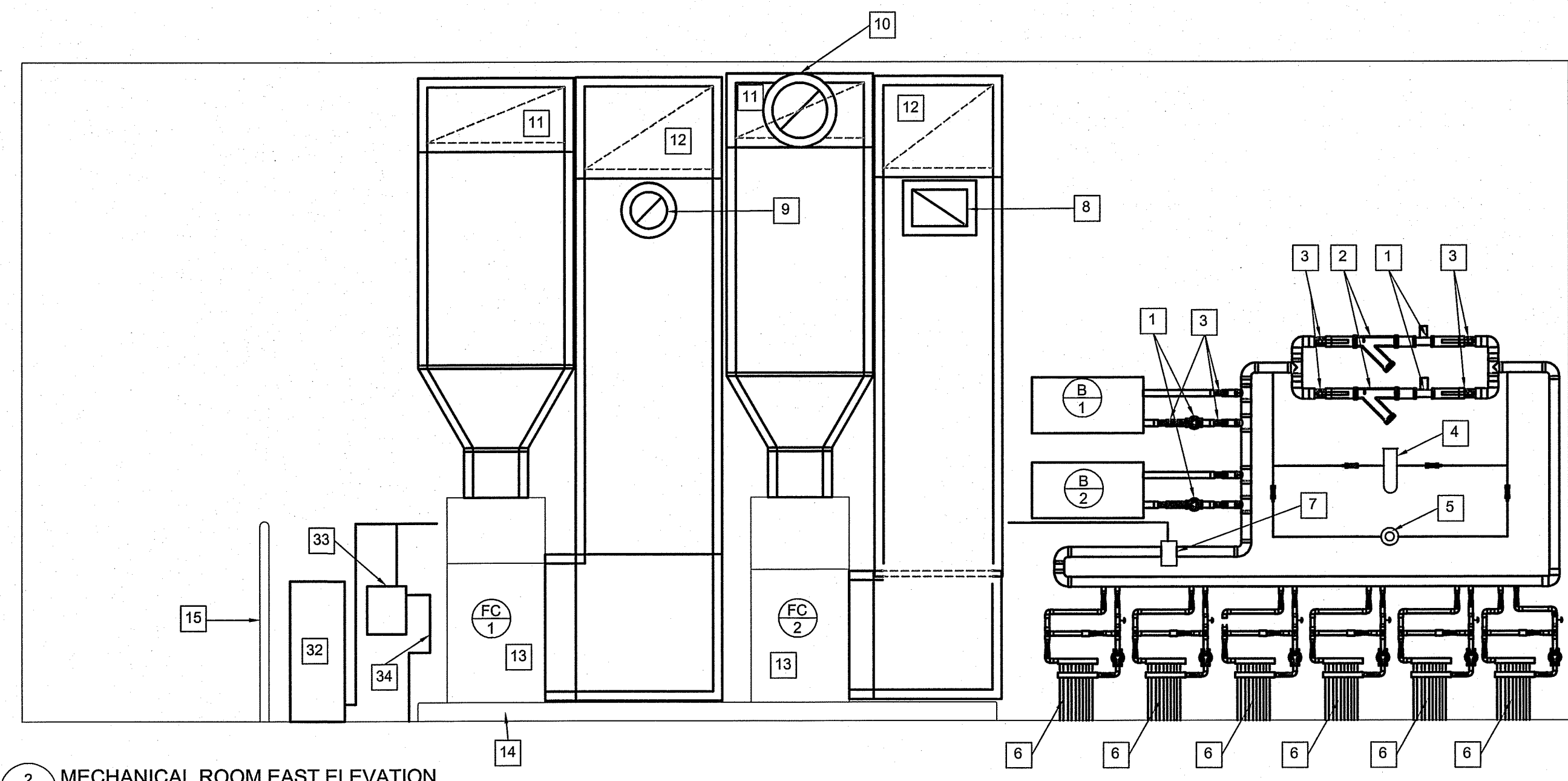
SHEET TITLE
DETAILS

TENDER
M2.3

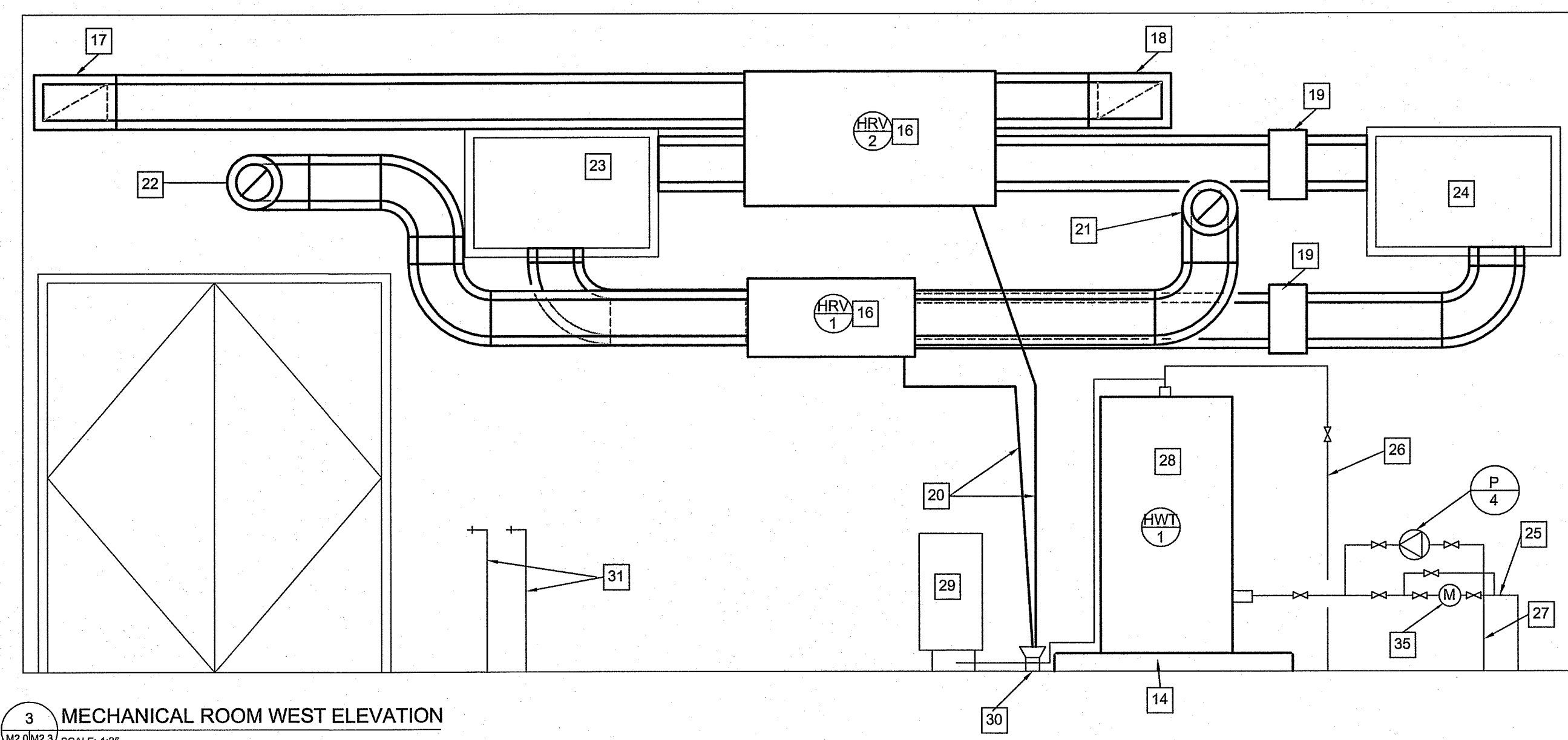
REVISION #:
 00
 JOB NO.
13-168-01-47

DRAWING NOTES FOR DETAIL 2 AND 3 #

1. CIRCULATION PUMP SEE SCHEMATIC FOR DETAILS
2. STRAINER
3. VALVE
4. POT FEEDER
5. SIGHT GLASS
6. IN-FLOOR HEATING HEADERS AND ZONE PUMPS
7. AIR PURGER
8. FROM HRV-2
9. FROM HRV-1
10. SUPPLY TO ROOMS 120, 117, AND 103
11. RETURN AIR DUCT
12. SUPPLY DUCT
13. FAN COIL FC-1 AND FC-2
14. 100MM HOUSE KEEPING PAD
15. STAIR RAIL TO CRAWL SPACE
16. HRV
17. STALE AIR FROM BUILDING TO HRV-2
18. FRESH AIR TO FC-2
19. DUCT HEATER
20. CONDENSATE LINES TO FUNNEL FLOOR DRAIN
21. FRESH AIR TO FC-1
22. EXHAUST AIR FROM OFFICE AREA
23. SUPPLY AIR DUCTS TO COMMON LOUVRE C/W DRIP PAN AND DRAIN
24. EXHAUST AIR DUCTS TO COMMON LOUVRE C/W DRIP PAN AND DRAIN
25. DCW LINE FROM CRAWL SPACE
26. DHW LINE TO CRAWL SPACE
27. RECIRC. LINE FROM CRAWL SPACE
28. HOT WATER TANK
29. EXPANSION TANK FOR HOT WATER SYSTEM
30. HUB DRAIN
31. HOT AND COLD HOSE BIBS SURFACE MOUNTED
32. EXPANSION TANK FOR IN-FLOOR SYSTEM
33. GLYCOL FILL SYSTEM
34. FEED LINE TO GLYCOL FILL SYSTEM
35. WATER METER

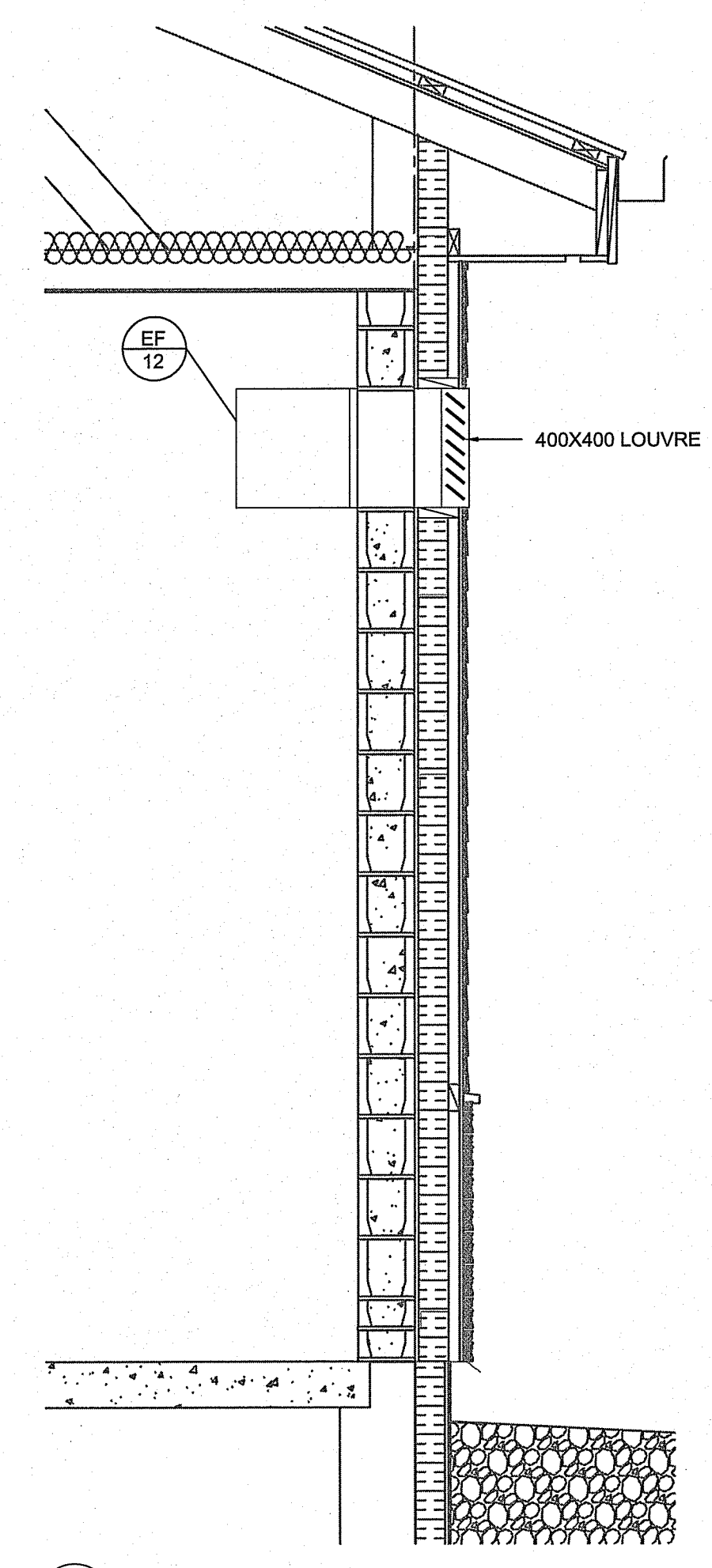


2 MECHANICAL ROOM EAST ELEVATION
 M2.3(M2.3) SCALE: 1:25

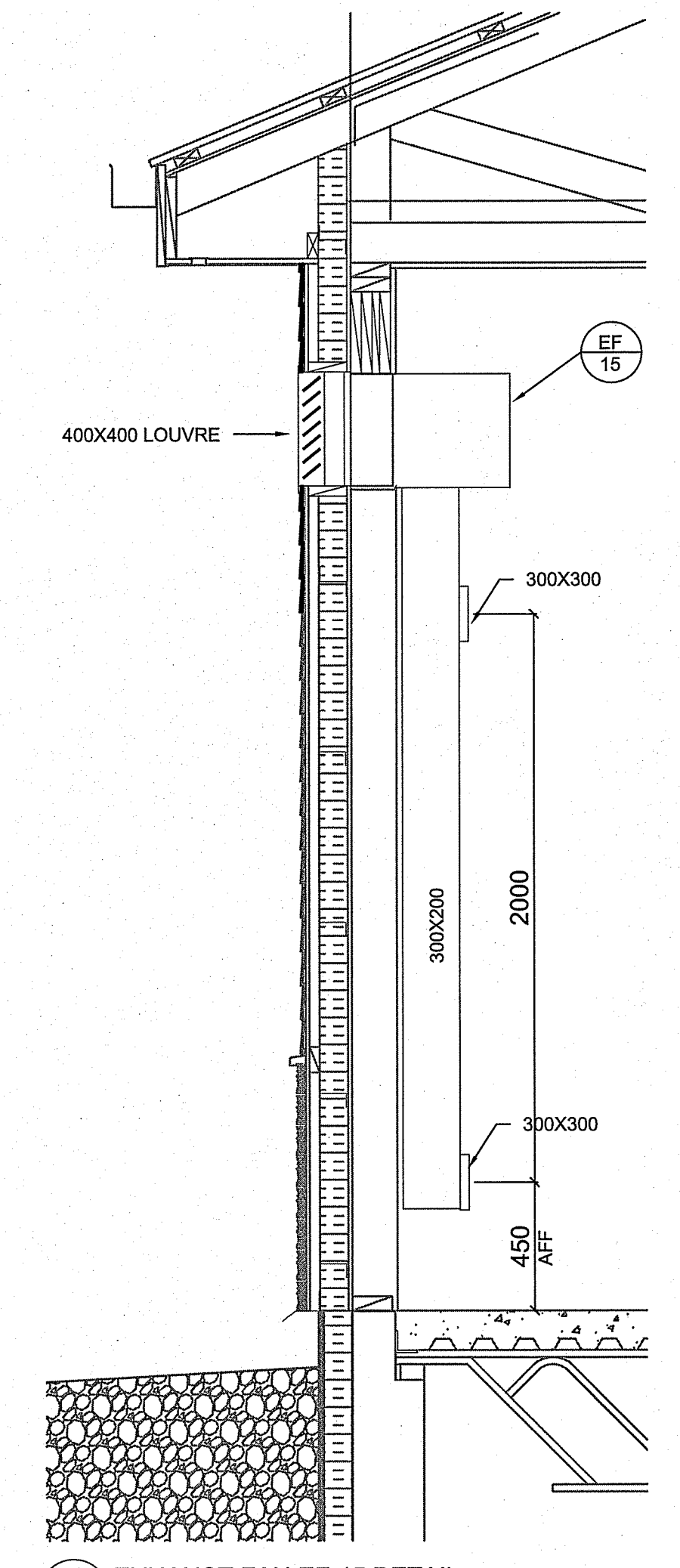


3 MECHANICAL ROOM WEST ELEVATION
 M2.3(M2.3) SCALE: 1:25

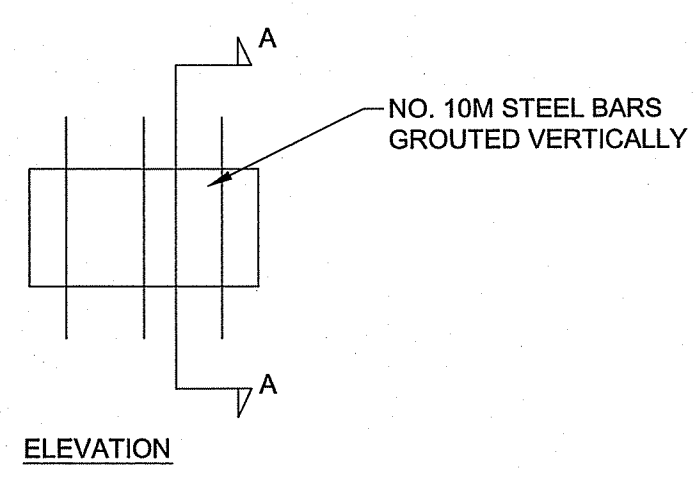
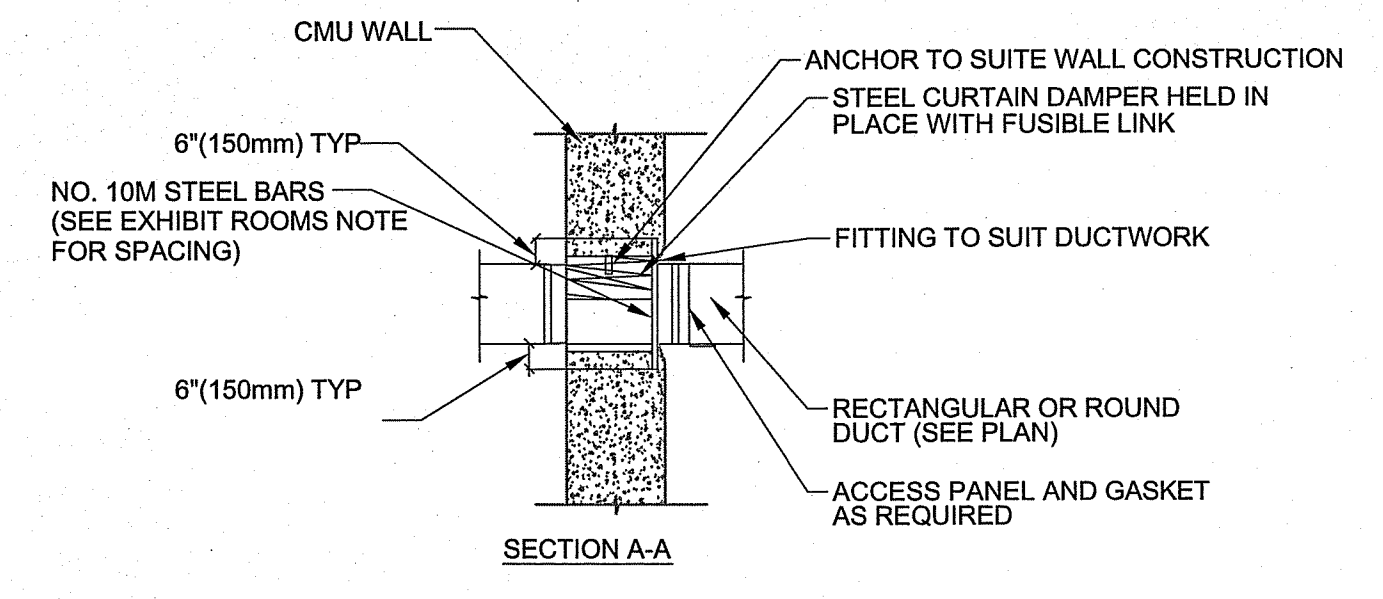
GRILLE/DIFFUSER SCHEDULE			
SYMBOL	MANUFACTURER	MODEL	REMARKS
A	EH PRICE	SQUARE CONE DIFFUSER SCDA/3P/3C/B12	PANEL MOUNT 300X300 UNITS IN 600X600 PANEL
B	EH PRICE	PERFORATED DIFFUSERS RETURN PDDR/3/B12	
D	CHUBB OR SIMPSON	CHUBB: OP-20V SIMPSON: V-2	
E	CHUBB OR SIMPSON	CHUBB: OP-20V SIMPSON: V-2	
F	EH PRICE	EGG CRATE RETURN 80/TB/B12	
G	EH PRICE	TRANSFER GRILLS ATGH/BF/B12	
H	EH PRICE	EXTRUDED ALUMINUM LOUVRE JE443	



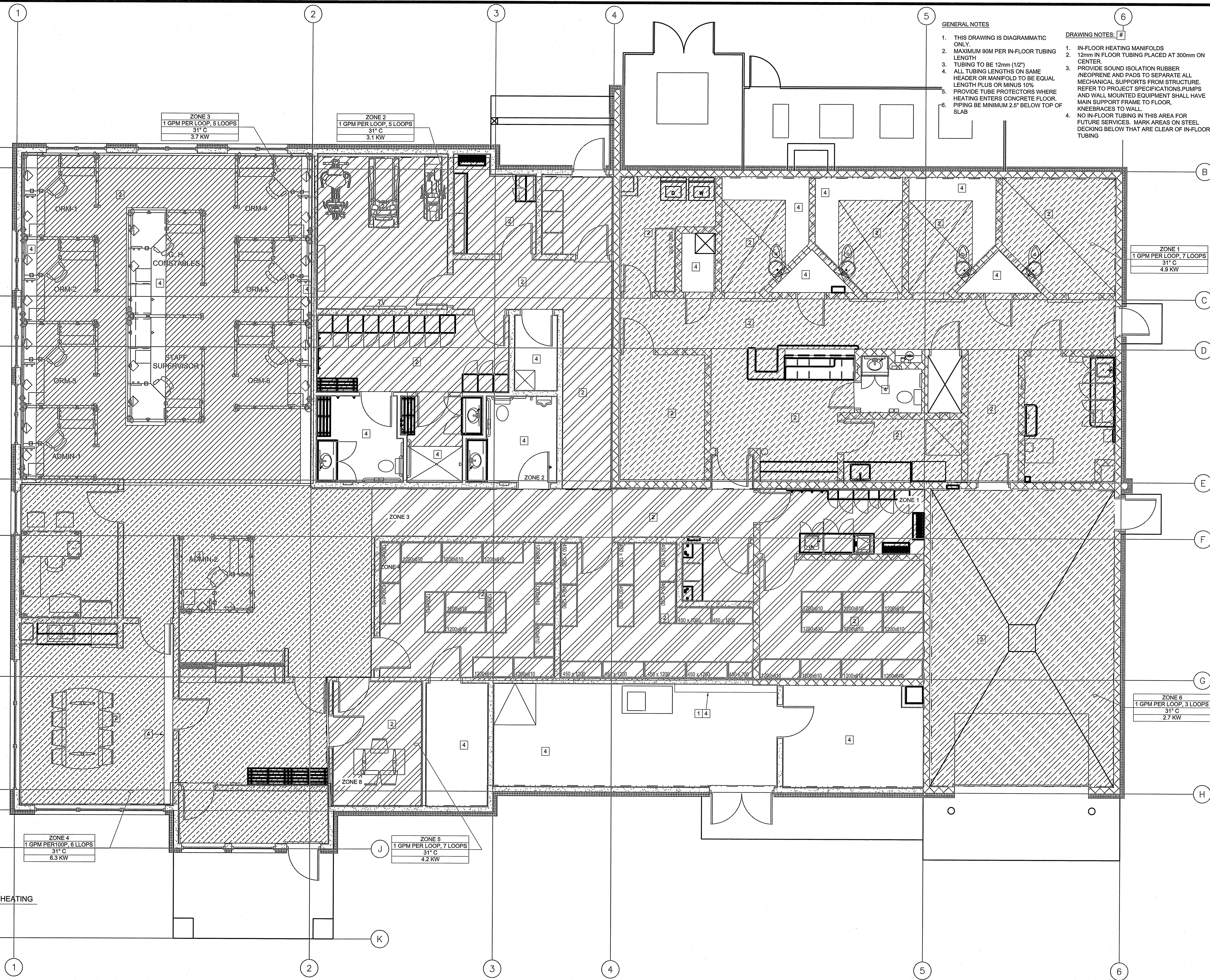
1 EXHAUST FAN EF-12 DETAIL
 M2.3(M2.3) SCALE: 1:20



4 EXHAUST FAN EF-15 DETAIL
 M2.3(M2.3) SCALE: 1:20



5 HVAC THROUGH EXHIBIT WALL OPENING TYPICAL
 M2.3(M2.3) SCALE: NTS



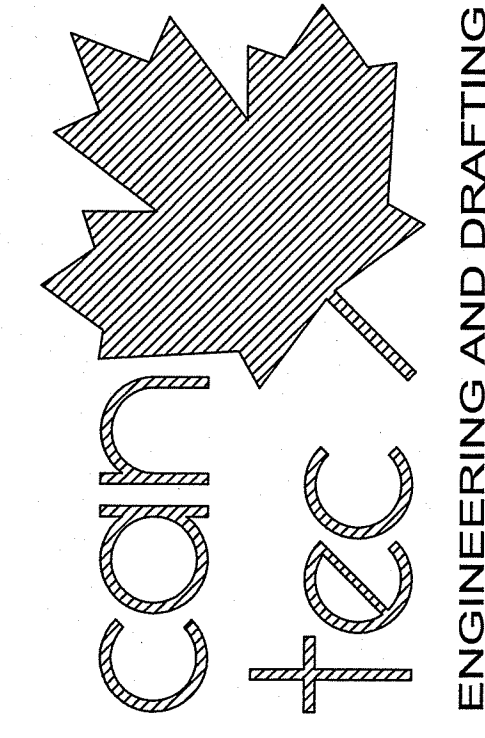
GENERAL NOTES

1. THIS DRAWING IS DIAGRAMMATIC ONLY.
2. MAXIMUM 90M PER IN-FLOOR TUBING LENGTH
3. TUBING TO BE 12mm (1/2")
4. ALL TUBING LENGTHS ON SAME HEADER OR MANIFOLD TO BE EQUAL LENGTH PLUS OR MINUS 10%
5. PROVIDE TUBE PROTECTORS WHERE HEATING ENTERS CONCRETE FLOOR. PIPING BE MINIMUM 2.5" BELOW TOP OF SLAB

DRAWING NOTES: #

1. IN-FLOOR HEATING MANIFOLDS
2. 12mm IN FLOOR TUBING PLACED AT 300mm ON CENTER.
3. PROVIDE SOUND ISOLATION RUBBER /NEOPRENE AND PADS TO SEPARATE ALL MECHANICAL SUPPORTS FROM STRUCTURE. REFER TO PROJECT SPECIFICATIONS PUMPS AND WALL MOUNTED EQUIPMENT SHALL HAVE MAIN SUPPORT FRAME TO FLOOR, KNEEBRACES TO WALL.
4. NO IN-FLOOR TUBING IN THIS AREA FOR FUTURE SERVICES. MARK AREAS ON STEEL DECKING BELOW THAT ARE CLEAR OF IN-FLOOR TUBING

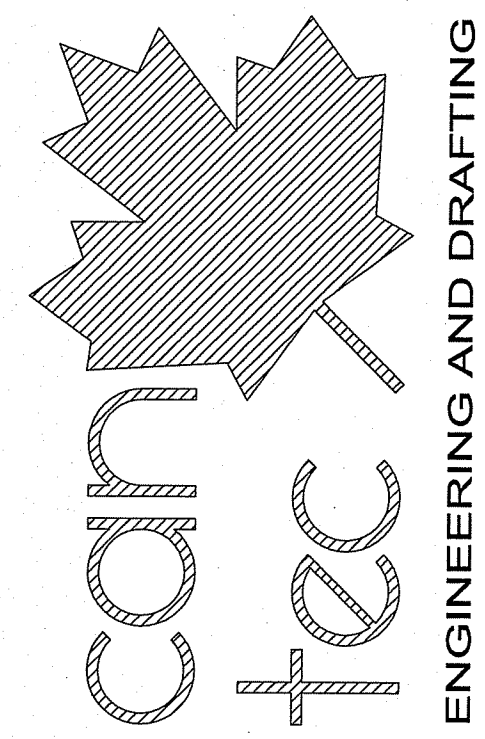
THIS DRAWING MUST NOT BE SCALED.
 THE GENERAL CONTRACTOR SHALL VERIFY ALL DIMENSIONS, DATUMS AND LEVELS PRIOR TO COMMENCEMENT OF WORK AND IS HELD RESPONSIBLE FOR REPORTING ANY DISCREPANCY OR OMISSION TO CAN-TEC SERVICES LTD. IMMEDIATELY.
 THIS DRAWING IS THE EXCLUSIVE PROPERTY OF CAN-TEC SERVICES LTD. AND CAN BE REPRODUCED ONLY WITH THE PERMISSION OF CAN-TEC SERVICES LTD. IN WHICH CASE THE REPRODUCTION MUST BEAR THEIR NAME AS THE ENGINEERING/DRAFTING FIRM.
<http://www.can-tec-services.com>
 194 MANITOBA STREET, WINNIPEG, MANITOBA R2L 2G1 CANADA TEL: (204) 945-5777



PROJECT TITLE: FACILITY BUILDING
 SHEET TITLE: MAIN FLOOR - HYDRONICS
 DATE (Y/M/D): 14 02 14
 SCALE: AS NOTED
 LOCATION: ISLAND LAKE, MANITOBA
 CHECKED BY: JLS
 DRAWN BY: RS
 REVISION #:
 13-168-01-47

1 MAIN FLOOR PLAN - IN FLOOR HEATING
 M1/M1.1 SCALE: 1:50

THIS DRAWING MUST NOT BE SCALED.
 THE GENERAL CONTRACTOR SHALL VERIFY ALL DIMENSIONS, DATUMS AND LEVELS PRIOR TO COMMENCEMENT OF WORK AND IS HELD RESPONSIBLE FOR REPORTING ANY DISCREPANCY OR OMISSION TO CAN-TEC SERVICES LTD. IMMEDIATELY.
 THIS DRAWING IS THE EXCLUSIVE PROPERTY OF CAN-TEC SERVICES LTD. AND CAN BE REPRODUCED ONLY WITH THE PERMISSION OF CAN-TEC SERVICES LTD. IN WHICH CASE THE REPRODUCTION MUST BEAR THEIR NAME AS THE ENGINEERING/DRAFTING FIRM.
 http://www.can-tec.com

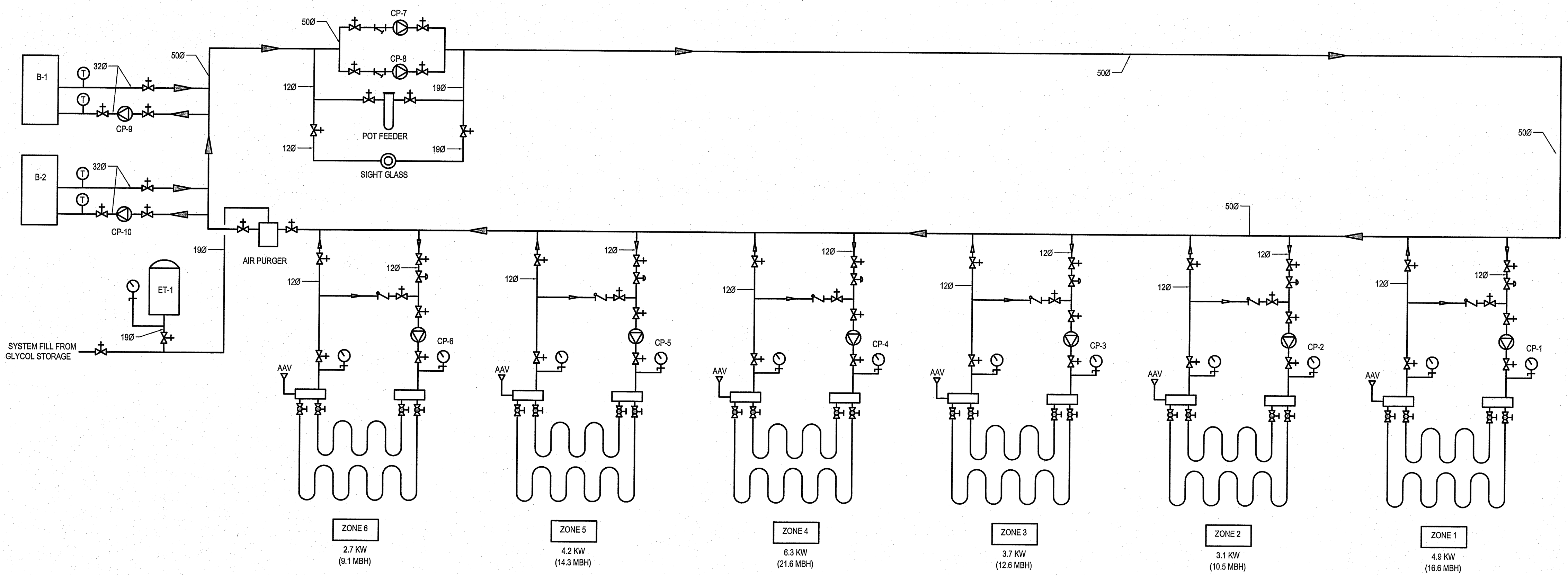


ENGINEERING AND DRAFTING
 184 LAMAR STREET, WINNIPEG, MANITOBA
 TEL: (204) 943-7222 Fax: (204) 947-5717

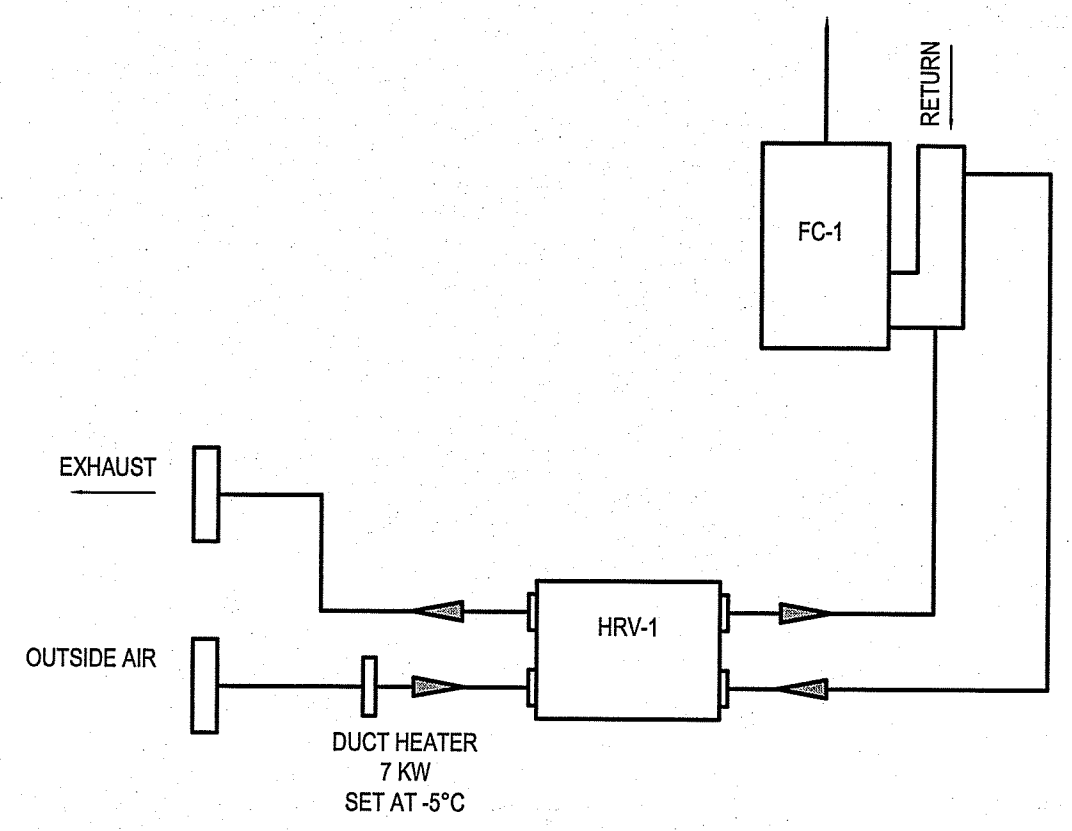
REV. #	REVISION	DATE (Y/M/D)	ISSUED FOR
A	ISSUED FOR 35% REVIEW	14.02.08	RS, BY
B	ISSUED FOR 60% REVIEW	14.04.08	RS, BY
C	ISSUED FOR 80% REVIEW	14.05.08	RS, BY
D	ISSUED FOR TENDER	14.06.08	RS, BY



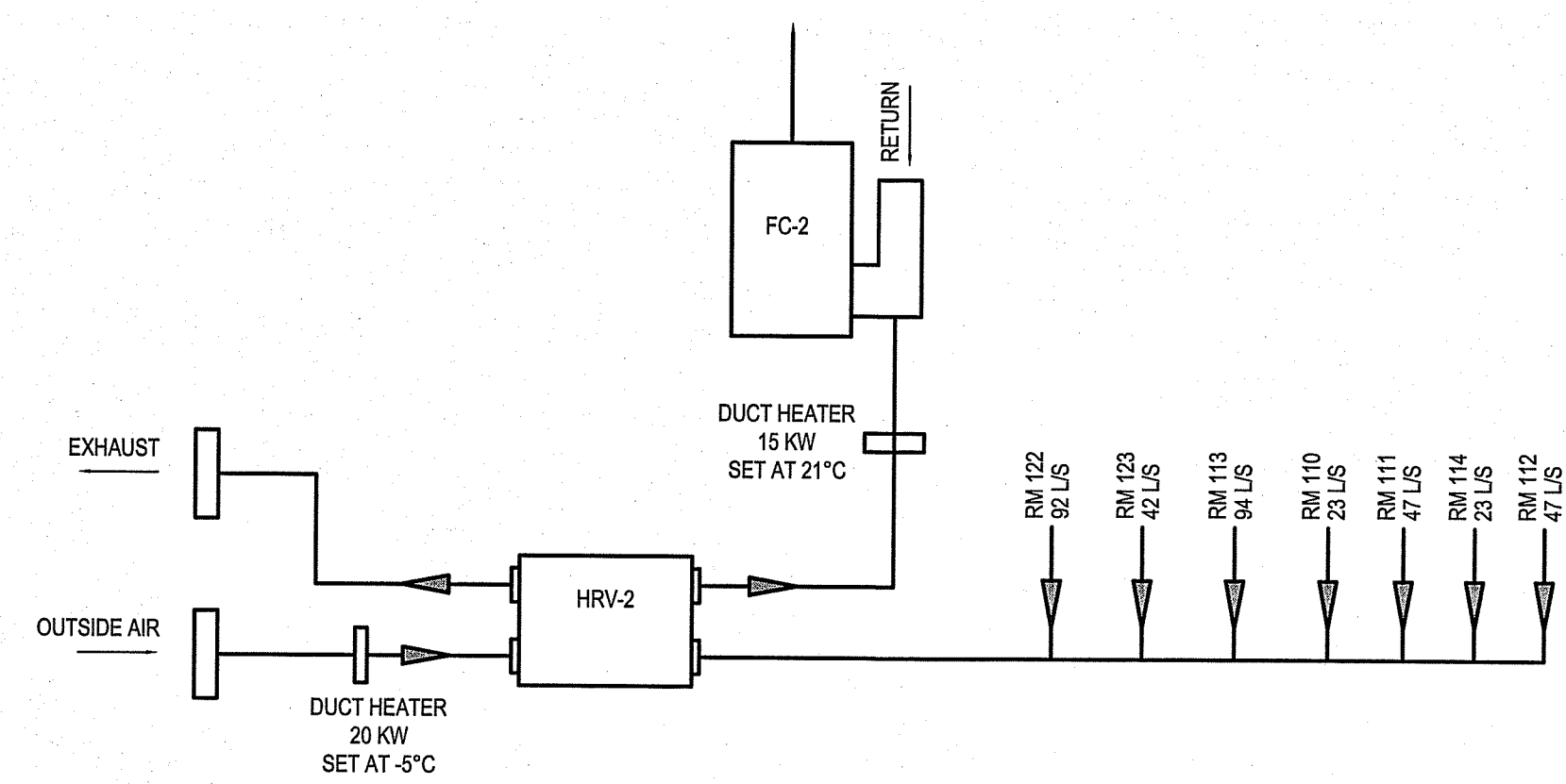
SEALED BY:
APFCM
 Certificate of Authorization
 Can-Tec Services Ltd.
 No. 4189 Date: *June 10, 2014*



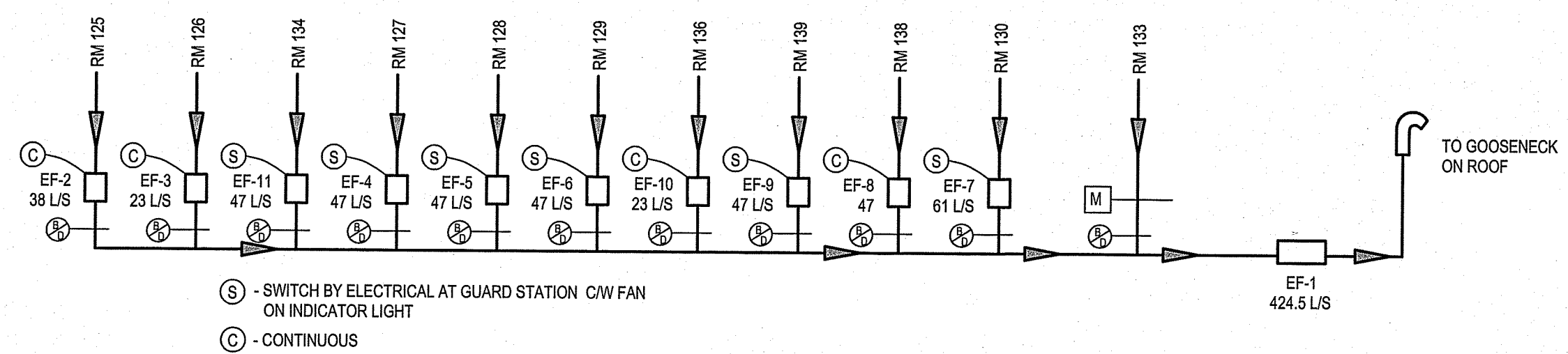
01 IN-FLOOR HEATING SCHEMATIC
 MS 01/10/0 SCALE: NTS



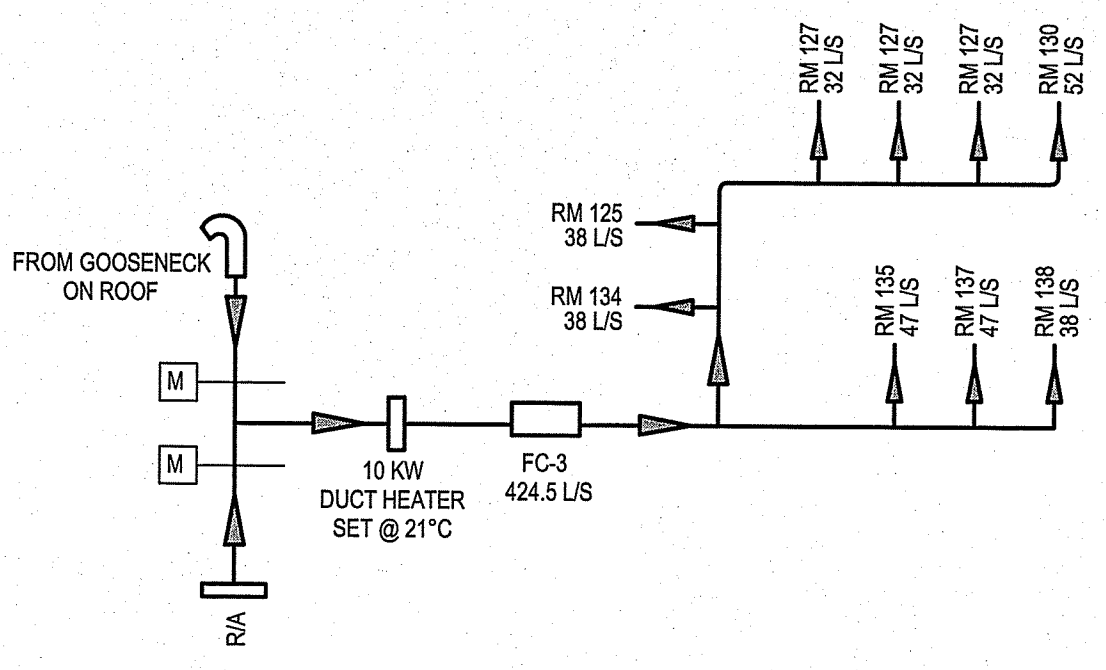
02 FAN COIL FC-1 SCHEMATIC
 MS 02/10/0 SCALE: NTS



03 FAN COIL FC-2 SCHEMATIC
 MS 03/10/0 SCALE: NTS



04 CELL EXHAUST SYSTEM
 MS 04/10/0 SCALE: NTS



05 CELL SUPPLY SYSTEM
 MS 05/10/0 SCALE: NTS

CHECKED BY: NC
 DRAWN BY: RS
 SCALE: AS NOTED
 DATE (Y/M/D): 13.12.07
 LOCATION: ISLAND LAKE, MANITOBA

PROJECT TITLE: FACILITY BUILDING
 SHEET TITLE: SYSTEM SCHEMATICS
 TENDER
M5.0
 REVISION #: 00
 JOB NO.: 13-168-01-47