

SPECIFICATION

FACILITY BUILDING NEW CONSTRUCTION PART 3 – DETAIL DRAWINGS

**ISLAND LAKE MANITOBA
PROJECT NO. 13-168-01-14, IO 1003959**

TENDER

**Can-Tec Services Ltd.
1948 MAIN STREET
WINNIPEG, MANITOBA
R2V 2B4
TEL: 204-943-7222
FAX: 204-947-5717**

TABLE OF CONTENTS

Pages

VOLUME NO. 1

Division 00 - Procurement and Contracting Requirements

Section 00 01 10 - Table Of Contents	7
--	---

Division 01 - General Requirements

Section 01 11 00 - Summary Of Work	2
Section 01 14 00 - Work Restrictions	2
Section 01 21 00 - Allowances	2
Section 01 31 19 - Project Meetings.....	3
Section 01 32 16.07 - Construction Progress Schedule - Bar (GANTT) Chart.....	3
Section 01 33 00 - Submittal Procedures	4
Section 01 35 29.06 - Health And Safety Requirements	3
Section 01 41 00 - Regulatory Requirements.....	1
Section 01 45 00 - Quality Control	3
Section 01 51 00 - Temporary Utilities	2
Section 01 52 00 - Construction Facilities	3
Section 01 56 00 - Temporary Barriers And Enclosures	2
Section 01 61 00 - Common Product Requirements	5
Section 01 71 00 - Examination And Preparation.....	2
Section 01 73 00 - Execution	2
Section 01 74 11 - Cleaning	3
Section 01 77 00 - Closeout Procedures.....	2
Section 01 78 00 - Closeout Submittals.....	8
Section 01 78 40 - Maintenance Requirements.....	3
Section 01 79 00 - Demonstration and Training.....	2
Section 01 91 51 - Building Management Manual (bmm)	4

Division 02 - Existing Conditions

Section 02 23 10 - Clearing and Grubbing	3
Section 02 81 01 - Hazardous Materials	5

Division 03 - Concrete

Section 03 10 00 - CONCRETE FORMING AND ACCESSORIES.....	4
Section 03 20 00 - CONCRETE REINFORCING	5
Section 03 30 00 - CAST-IN-PLACE CONCRETE	7
Section 03 35 05 - CONCRETE FLOOR HARDENING	2

Division 04 - Masonry

Section 04 05 00 - COMMON WORK RESULTS FOR MASONRY.....	6
Section 04 05 12 - MASONRY MORTAR AND GROUT.....	6
Section 04 05 19 - MASONRY ANCHORAGE AND REINFORCING.....	6
Section 04 05 23 - MASONRY ACCESSORIES.....	1
Section 04 47 00 – Manufactured Masonry.....	7

Division 05 – Metals

Section 05 12 23 - STRUCTURAL STEEL FOR BUILDINGS	5
Section 05 21 00 - STEEL JOIST FRAMING	4
Section 05 31 00 - STEEL DECKING	4

Division 06 - Wood, Plastics and Composites

Section 06 05 73 - WOOD TREATMENT.....	2
Section 06 10 00 - ROUGH CARPENTRY.....	6
Section 06 10 10 - Rough Carpentry.....	9
Section 06 15 00 – Wood Decking.....	3
Section 06 17 53 - SHOP - FABRICATED WOOD TRUSSES.....	5
Section 06 20 00 - FINISH CARPENTRY	5
Section 06 40 00 - ARCHITECTURAL WOODWORK.....	11
Section 06 47 00 - PLASTIC LAMINATE FINISHING	5

Division 07 - Thermal and Moisture Protection

Section 07 13 52 - MODIFIED BITUMINOUS SHEET WATERPROOFING.....	4
Section 07 21 13 - Board Insulation.....	4
Section 07 21 16 - Blanket Insulation	3
Section 07 21 29.03 - Sprayed Insulation - Polyurethane Foam	3
Section 07 26 00 - Vapour Retarders.....	3
Section 07 27 00.01 - AIR BARRIERS - DESCRIPTIVE OR PROPRIETARY	6
Section 07 44 00 – Cementitious Panels.....	7
Section 07 61 00 - Sheet Metal Roofing	6
Section 07 62 00 - Sheet Metal Flashing And Trim.....	4
Section 07 72 33 - Roof Hatches.....	5
Section 07 84 00 - Fire Stopping.....	6
Section 07 92 00 - Joint Sealants	7
Section 07 92 12 – Security Joint Sealants	4

Division 08 - Openings

Section 08 11 00 - Metal Doors And Frames.....	7
Section 08 11 16 – Aluminum Doors and Frames	6
Section 08 31 00.01 - ACCESS DOORS - MECHANICAL	2
Section 08 31 00 02 – Fire Rated Floor Access Doors	3
Section 08 34 63 – Detention Doors and Frames.....	3

Detention Door Drawings.....	16
Section 08 34 74 – Metal Sound Control Assemblies.....	5
Section 08 36 13.02 – Sectional Metal Doors.....	6
Section 08 50 00 – Aluminum Windows	8
Section 08 70 05 - Cabinet And Miscellaneous Hardware	5
Section 08 71 00 - Door Hardware	20
Section 08 80 50 - GLAZING.....	7

Division 09 - Finishes

Section 09 21 16 - Gypsum Board Assemblies	8
Section 09 22 16 - NON-STRUCTURAL METAL FRAMING	4
Section 09 30 13 - CERAMIC TILING	4
Section 09 51 13 - Acoustical Panel Ceilings	4
Section 09 53 00.01 - ACOUSTICAL SUSPENSION.....	6
Section 09 64 50 – Athletic Flooring.....	5
Section 09 65 16 - Resilient Sheet Flooring	7
Section 09 67 50 – Epoxy Quartz Flooring.....	3
Section 09 80 00 - Acoustic Treatment	4
Section 09 91 13 - Exterior Painting	12
Section 09 91 23 - Interior Painting.....	13
Section 09 96 59 - High-build Glazed Coatings.....	3

Division 10 - Specialties

Section 10 14 00 - SIGNAGE	5
Section 10 26 00.01 - WALL AND CORNER GUARDS	3
Section 10 28 10 - TOILET AND BATH ACCESSORIES	2
Section 10 44 16.19 - FIRE EXTINGUISHERS AND SAFETY BLANKETS	2
Section 10 51 13 - METAL LOCKERS	3
Section 10 56 13 – Metal Storage Shelving	4
Section 10 75 00 – Flag Poles	4
Section 10 95 00 – Miscellaneous Specialties	2

Division 11 - Equipment

Not used.

Division 12 - Furnishings

Section 12 50 00 – Furniture	8
------------------------------------	---

Division 13 - Special Construction

Not used.

VOLUME NO. 2

Division 21 - MECHANICAL

Section 21 05 01 - Common Work Results For Mechanical	4
---	---

Division 22 - Plumbing

Section 22 05 00 - Common Work Results For Plumbing.....	4
Section 22 05 81 - Disinfection Of Water Distribution Piping	3
Section 22 10 00 - Plumbing Piping	26
Section 22 42 01 - Plumbing Specialties.....	2
Section 22 42 02 - Plumbing Fixtures	9
Section 22 47 00 - Plumbing Equipment	6

Division 23 - Heating, Ventilating and Air Conditioning (HVAC)

Section 23 05 00 - Common Work Results For HVAC.....	4
Section 23 05 20 - Hydronic Specialties.....	10
Section 23 05 93 - Testing, Adjusting, And Balancing	12
Section 23 07 13 - Duct Insulation.....	5
Section 23 07 19 - Piping Insulation	14
Section 23 21 00 - Hydronic Piping.....	13
Section 23 21 23 - Hvac Pumps	4
Section 23 31 00 - Duct Work.....	6
Section 23 33 00 - Duct Work Accessories	6
Section 23 34 16 - Exhaust Fans	5
Section 23 35 16 - Carbon Monoxide Exhaust Removal.....	2
Section 23 37 00 - Air Outlets And Inlets.....	3
Section 23 52 13 - Boilers - Electric	5
Section 23 54 10 - Fan Coils and Condensing units	6
Section 23 81 24 - Computer Room Air Conditioning Units - Unitary Ceiling	3

Division 25 - Integrated Automation

Section 25 90 00 - Sequence Of Operation	6
--	---

DIVISION 26 - ELECTRICAL

Section 26 05 00 - COMMON WORK RESULTS FOR ELECTRICAL.....9
Section 26 05 20 - WIRE AND BOX CONNECTORS (0-1000 V)2
Section 26 05 21 - WIRES AND CABLES (0-1000 V).....3
Section 26 05 28 - GROUNDING - SECONDARY4
Section 26 05 29 - Hangers And Supports For Electrical Systems2
Section 26 05 31 - SPLITTERS, JUNCTION, PULL BOXES AND CABINETS.....2
Section 26 05 32 - Outlet Boxes, Conduit Boxes And Fittings2
Section 26 05 34 - Conduits, Conduit Fastenings And Conduit Fittings4
Section 26 05 44 - Installation Of Cables In Trenches And In Ducts.....2
Section 26 27 26 - WIRING DEVICES3
Section 26 28 23 - DISCONNECT SWITCHES - FUSED AND NON-FUSED2
Section 26 29 03 - CONTROL DEVICES3
Section 26 29 10 - MOTOR STARTERS TO 600 V.....3
Section 26 32 14 - Power Generation Diesel - Winterized14
Section 26 50 00 - LIGHTING2
Section 26 53 00 - EXIT SIGNS.....2

DIVISION 27 - COMMUNICATIONS

Section 27 05 14 - STRUCTURED CABLING SYSTEM6
Section 27 05 28 - PATHWAYS FOR COMMUNICATIONS SYSTEMS1

DIVISION 28 - ELECTRONIC SAFETY AND SECURITY

Section 28 31 01 - Fire Alarm Systems7

Division 31 - Earthwork

Section 31 11 00 – Clearing and Grubbing3
Section 31 22 13 - ROUGH GRADING2
Section 31 23 33.01 - EXCAVATING, TRENCHING AND BACKFILLING.....7

Division 32 - Exterior Improvements

Section 31 12 13 – GRANULAR SUB-BASE3
Section 32 11 23 – AGGREGATE BASE COURSE4
Section 32 16 15 – CONCRETE WALKS, CURBS AND GUTTERS.....4
Section 32 31 13 – Chain Link Fences and Gates.....6

Division 33 - Utilities

Section 33 11 16- SITE WATER UTILITY DISTRIBUTION PIPING13
Section 33 31 13 – SANITARY SEWER PIPING.....5
Section 33 42 13 – PIPE CILVERTS7

VOLUME NO. 3

Detail Drawings.....67
See Volume 3 for table of Contents
Radio Tower Construction Specifications.....65
Geotechnical Report.....10

LIST OF DRAWINGS

CIVIL

SITE SURVEY - FOR INFORMATION ONLY

C1.0 CIVIL SITE PLAN

F1.0 MAIN FLOOR FURNATURE PLAN

ARCHITECTURAL

A0.0 TITLE PAGE

AL1.0 LANDSCAPE PLAN

A0.1 SITE PLAN

A2.0 MAIN FLOOR PLAN - CODE COMPLIANCE

A2.1 MAIN FLOOR PLAN - DIMENSIONS

A2.2 MAIN FLOOR PLAN - REFERENCES

A2.3 CRAWL SPACE PLAN

A2.4 MECHANICAL MEZZANINE AND ROOF PLAN

A3.0 ELEVATIONS

A3.1 ELEVATIONS

A4.0 SECTIONS

A4.1 SECTIONS

A4.2 SECTION DETAILS

A4.3 SECTION DETAILS

A4.4 SECTION DETAILS

A5.0 INTERIOR ELEVATIONS

A5.1 INTERIOR ELEVATIONS

A6.0 MAIN FLOOR - REFLECTED CEILING

A6.1 CRAWL SPACE AND MECHANICAL MEZZANINE - REFLECTED CEILING

A8.0 SCHEDULES
A8.1 SCHEDULES

AG2.0 GARAGE PLAN
AG2.1 GARAGE DETAILS

STRUCTURAL

S1.0 GENERAL NOTES & TYP. DETAILS
S2.1 FOUNDATION PLAN
S2.2 MAIN FLOOR FRAMING PLAN
S2.3 ROOF FRAMING PLAN
S2.4 CELL CEILING & GARAGE PLANS
S5.1 SECTIONS
S5.2 SECTIONS
S5.3 SECTIONS
S6.1 GARAGE PLAN AND SECTIONS

MECHANICAL

M0.1 MECHANICAL SITE PLAN
M1.0 MAIN FLOOR PLAN PLUMBING
M1.1 CRAWL SPACE PLUMBING
M1.2 PLUMBING DETAILS
M2.0 MAIN FLOOR PLAN HVAC
M2.1 CRAWL SPACE HVAC
M2.2 MECHANICAL MEZZANINE HVAC
M3.0 IN-FLOOR HEATING PLAN
M4.0 SCHEMATICS

ELECTRICAL

E1.0 SITE PLAN
E2.1 LIGHTING - MAIN FLOOR
E2.2 LIGHTING - CRAWL SPACE
E2.3 LIGHTING, POWER AND SYSTEMS, MECHANICAL SPACE AND GARAGE
E3.1 POWER AND SYSTEMS MAIN FLOOR
E4.1 SINGLE LINE DIAGRAM
E4.2 SCHEDULES

END OF TABLE

TABLE OF CONTECTS

ARCHITECTURAL DETAILS

1.0 SITE DETAILS

A1.01	CONCRETE FILLED BOLLARD WITHIN CONCRETE APRON
A1.02	OVER HEAD DOOR CONTROL POST
A1.03	OVER HEAD DOOR CONTROL POST DETAILS
A1.04	SIGN DETAIL
A1.05	FLAG POLE DETAIL
A1.06	GROUND MOUNT FOR SATELIGHT DISH

2.0 BUILDING ENVELOPE

A2.01	RADIO TOWER CABLE ENTRY
A2.02	FIRE WALL DETAIL

3.0 DOORS AND WINDOWS

A3.01	BARRIER FREE EXTERIOR DOOR THRESHOLD
A3.02	CELL DOOR JAMB
A3.03	CELL GLASS BLOCK HEAD AND SILL
A3.04	CELL GLASS BLOCK JAMB
A3.05	DOOR FRAME DETAILS
A3.06	EXTERIOR DOOR HEAD
A3.07	EXTERIOR DOOR HEAD AT CONCRETE BLOCK WALL
A3.08	NOT USED
A3.09	BARRIER FREE EXTERIOR DOOR JAMB
A3.10	EXTERIOR DOOR HEAD AT WOOD STUD WALL
A3.11	MECHANICAL CHASE DOOR
A3.12	OVERHEAD DOOR JAMB @ CULTURED STONE
A3.13	OVERHEAD DOOR JAMB AT METAL CLADDING
A3.14	OVERHEAD DOOR HEAD
A3.15	PROTECTED DOOR - ALARMS DETAILS
A3.16	STANDARD EXTERIOR DOOR THRESHOLD
A3.17	WINDOW HEAD
A3.18	NOT USED
A3.19	WINDOW JAMB
A3.20	NOT USED
A3.21	WINDOW SILL AT STONE VENEER

4.0 INTERIOR DETAILS

A4.01	ACOUSTIC PARTITION DETAILS
A4.02	ACOUSTIC PARTITION CEILING AT CONCRETE BLOCK
A4.03	FIRE RATED PARTITION

5.0 CEILING DETAILS

A5.01	RECEPTION COUNTER BULKHEAD
A5.02	BULKHEAD

6.0 STAIRS

A6.01	LADDER TO BASEMENT
A6.02	LADDER TO ROOF

7.0 MILLWORK

A7.00	RECEPTION COUNTER PLAN
A7.01	RECEPTION GLAZING DETAILS
A7.02	RECEPTION COUNTER SECTION - BARRIER FREE
A7.03	RECEPTION COUNTER SECTION
A7.04	UPPERS CUPBOARDS
A7.05	COUNTER IN 122 - PLAN & ELEVATION
A7.06	COUNTER IN 133 - PLAN & ELEVATION
A7.07	TYPICAL WASHROOM VANITY DETAILS
A7.08	BASE CABINETS

7.0 MILLWORK

A7.09	COUNTER IN ROOM 138 - SECTIONS
A7.10	COUNTER IN ROOM 138-PLAN, ELEVATION & SECTION
A7.11	COUNTER IN ROOM 135-PLAN, ELEVATION
A7.12	COUNTER IN ROOM 135-PLAN, ELEVATION & SECTION
A7.13	COUNTER IN AREA 135 - SECTION
A7.14	COUNTER IN AREA 135 - SECTION
A7.15	MODULAR CHARGING COUNTER AND CABINETS RM 108
A7.16	MILLWORK IN ROOM 118
A7.17	GUN RACK RM 108 AND RM 123
A7.18	COAT HOOKS
A7.19	COAT ROD AND SHELF
A7.20	KEY HOOKS
A7.21	PUBLIC RECEPTION SEATING DETAILS
A7.21A	BENCH DETAILS RM 110, 111, 113
A7.22	TYPICAL CELL FLOOR PLAN
A7.23	TYPICAL CELL REFLECTED CEILING PLAN
A7.24	HOLDING CELL FLOOR PLAN
A7.25	HOLDING CELL REFLECTED CEILING PLAN
A7.26	CELL BUNK AT MECHANICAL GRILL
A7.27	TYPICAL CELL BUNK
A7.28	ACOUSTIC WINDOW - ELEVATION AND SECTION
A7.29	RECEPTION COUNTER ELEVATIONS
A7.30	REFLECTED CEILING PLAN
A7.31	STANDARD WASHROOM MOUNTING HEIGHTS
A7.32	TECTUM PANEL EDGE
A7.33	EYEWASH STATION - ELEVATION AND SECTION
A7.34	POLICE LOCKER INTERIOR
A7.35	EVIDENCE LOCKERS
A7.36	600MM DEEP BATHROOM BASE CABINET
A7.37	508MM DEEP BATHROOM BASE CABINET
A7.38	PRISONER BENCH DETAIL
A7.39	RM 109 STORAGE UNITS
A7.40	RM 104 CABINETS
A7.41	RM 137 CABINETS



ENGINEERING AND DRAFTING
1948 MAIN STREET, WINNIPEG, MANITOBA Tel: (204) 943-7222 Fax: (204) 947-6717

PROJECT TITLE
ISLAND LAKE FACILITY BUILDING

SHEET TITLE
TABLE OF CONTENTS

DATE [YYMMDD]
14 03 21

SCALE
N.T.S

DRAWN BY
RS

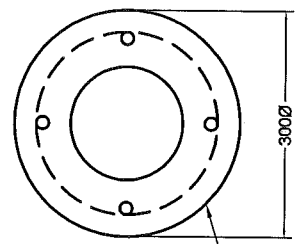
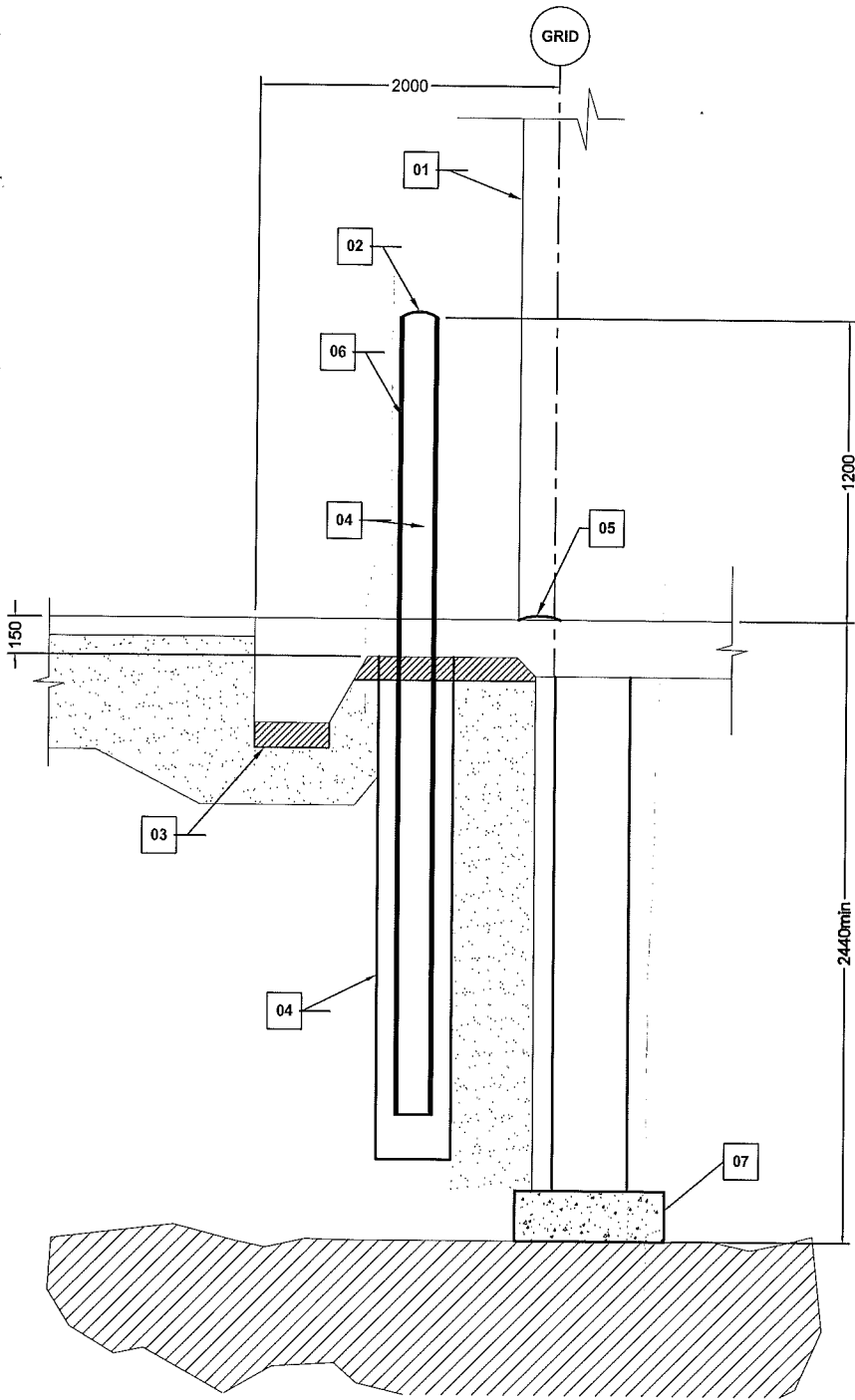
CHECKED BY
RS

LOCATION
ISLAND LAKE, MANITOBA

REV.NO

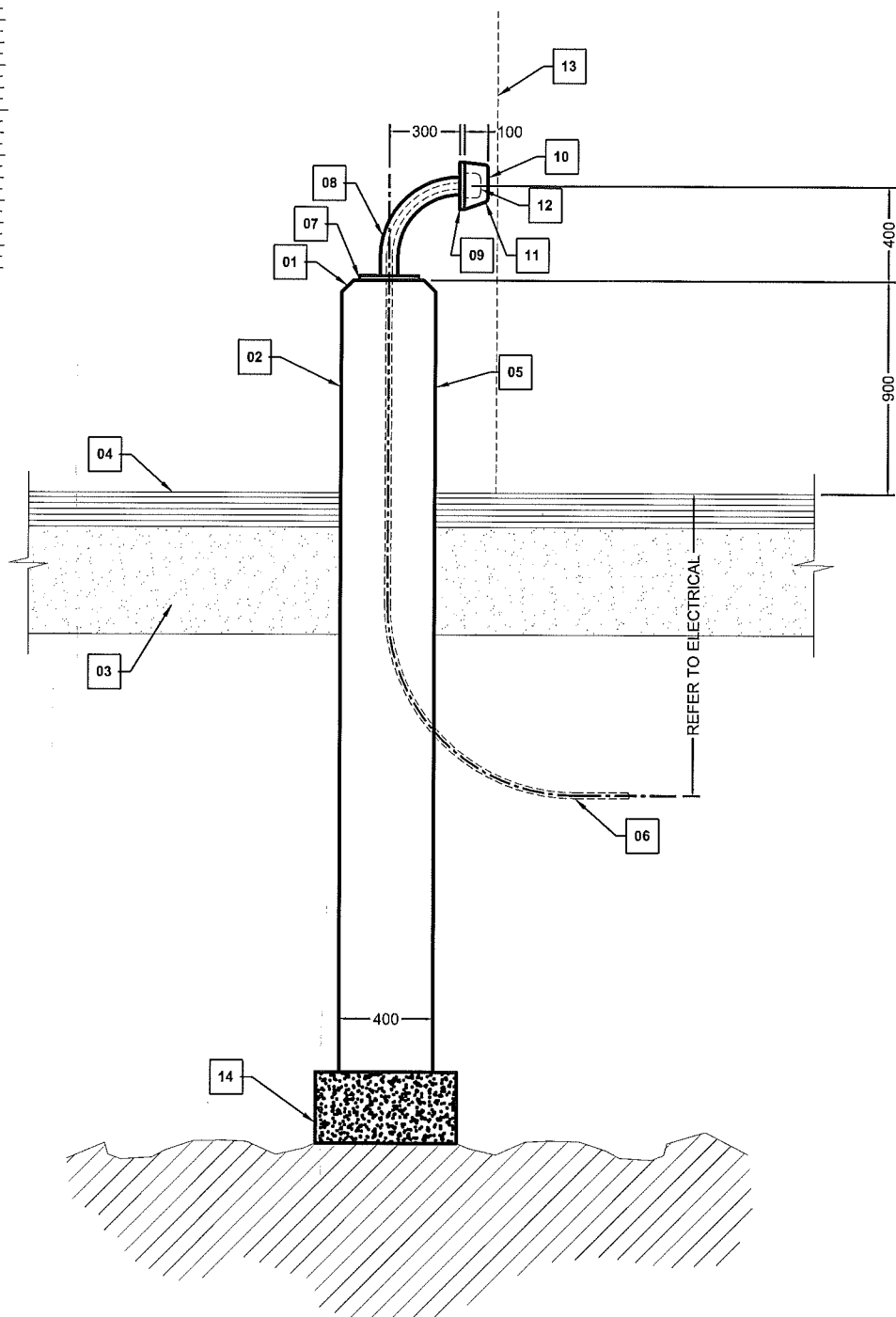
A0.00

JOB NO.
13-168-01-14



SECTION A
SCALE: 1:10

- 01 LINE OF BUILDING
- 02 TIE CONCRETE APRON INTO BOLLARD PILE
-REFER TO STRUCTURAL
- 03 100mm VOID FORM BELOW CONCRETE APRON
AND GRADE BEAM SEE STRUCT
- 04 CAST-IN-PLACE CONCRETE BOLLARD
SEE STRUCTURAL FOR DETAILS
- 05 6mm CHECKERPLATE THRESHOLD
- 06 150mmØ 6mm WALL THICKNESS STEEL BOLLARD
-PRIMED & PAINTED "SAFETY YELLOW"
- 07 CONCRETE FOUNDATION WALL



- 01 50mm CHAMFER
- 02 RUBBED FINISH TO TOP AND SIDES OF EXPOSED CONCRETE
- 03 GRANULAR BASE
- 04 GRAVEL ROAD
- 05 CAST-IN-PLACE CONCRETE
- 06 25mm CONDUIT - REFER TO ELECTRICAL
- 07 300mm DIA X 16 ANCHOR BOLTS AND 19mm HOLE THROUGH CENTRE
- 08 75mm DIAM PIPE - BENT
- 09 200X250X9 FACE PLATE WITH 19mm DIAM OPENING IN CENTRE
- 10 4mm STEEL PLATE COVER ON BOTH SIDES AND TOP
- 11 CHAMFER EACH SIDE OF COVER
- 12 CARD READER OVERHEAD DOOR OPERATOR
- 13 LINE OF OH DOOR ROUGH OPENING
- 14 CONCRETE PAD

NOTE:
CO-ORDINATE SIZE OF CONTROL PANEL WITH ELECTRICAL FOR CORD ENTRY.



PROJECT TITLE
ISLAND LAKE FACILITY BUILDING

SHEET TITLE
OVERHEAD DOOR CONTROL POST

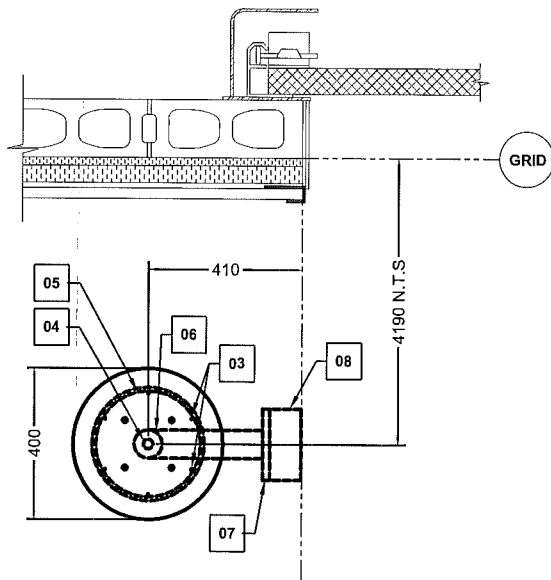
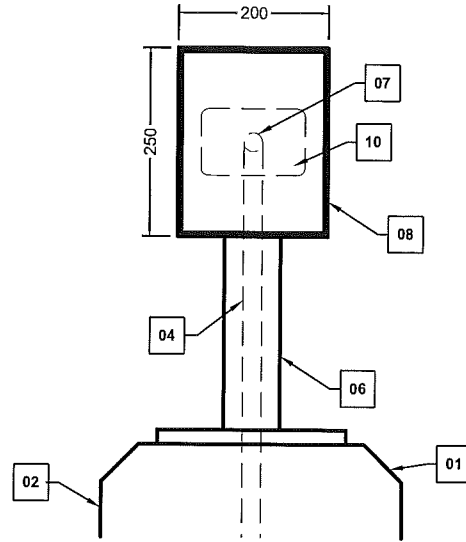
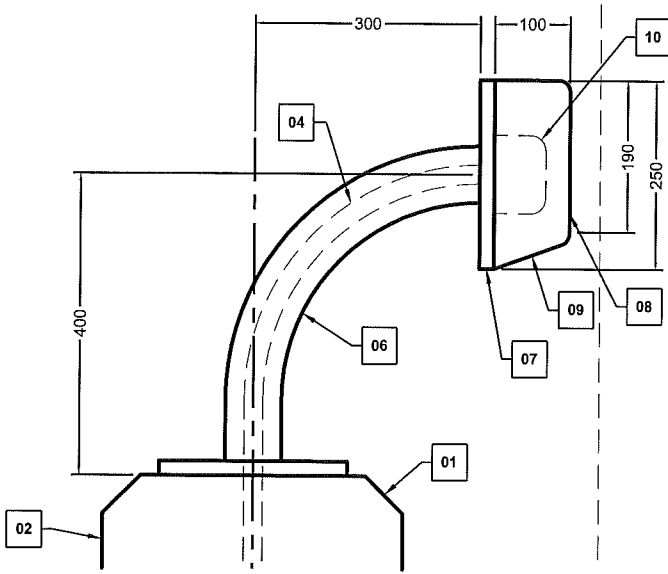
DATE (YYMMDD) 14 03 21 SCALE N.T.S. DRAWN BY RS CHECKED BY RS

LOCATION
ISLAND LAKE, MANITOBA

REV.NO

A1.02

JOB NO.
13-168-01-14



KEYNOTES:

- 01 50mm CHAMFER
- 02 RUBBED FINISH TO TOP AND SIDES OF EXPOSED CONCRETE
- 03 6-15M VERTICAL REINFORCING BARS W/10M TIES @ 300 O.C.
- 04 25mm CONDUIT - REFER TO ELECTRICAL
- 05 300mm DIA X 16 STEEL BASE PLATE WITH 16mm ANCHOR BOLTS AND 19mm HOLE THROUGH CENTRE
- 06 75mm DIAM PIPE - BENT
- 07 200X250X9 FACE PLATE WITH 25mm DIAM OPENING IN CENTRE
- 08 4mm STEEL PLATE COVER ON BOTH SIDES AND TOP
- 09 SLOPE BOTTOM EDGE OF COVER
- 10 CARD READER OPERATED OVERHEAD DOOR OPERATOR

** ALL STEEL POWDER COATED AND TOUCHED UP IN FIELD



ENGINEERING AND DRAFTING
1348 MAIN STREET, WINNIPEG, MANITOBA Tel: (204) 943-7222 Fax: (204) 947-6717

PROJECT TITLE
ISLAND LAKE FACILITY BUILDING

SHEET TITLE
OVERHEAD DOOR CONTROL POST DETAILS

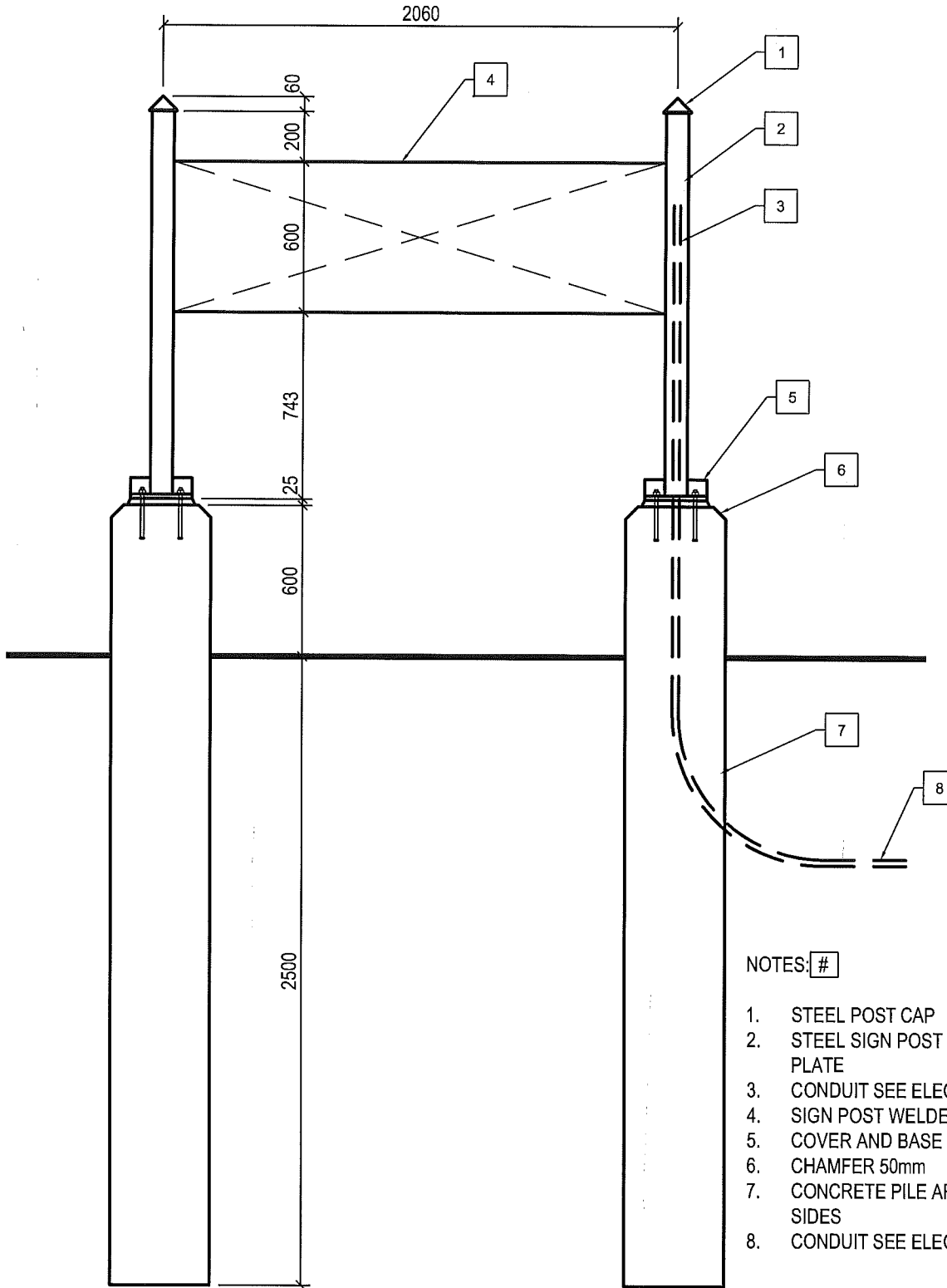
DATE (YY MM DD) 14 03 21 SCALE N.T.S. DRAWN BY RS CHECKED BY RS

LOCATION
ISLAND LAKE, MANITOBA

REV.NO

A1.03

JOB NO.
13-168-01-14



NOTES: #

1. STEEL POST CAP
2. STEEL SIGN POST WELDED TO BASE PLATE
3. CONDUIT SEE ELECTRICAL FOR SIZE
4. SIGN POST WELDED TO BASE PLATE
5. COVER AND BASE PLATE FOR SIGN
6. CHAMFER 50mm
7. CONCRETE PILE ARCH FINISHED TOP AND SIDES
8. CONDUIT SEE ELECTRICAL FOR DETAILS



ENGINEERING AND DRAFTING
194 MAIN STREET, WINNIPEG, MANITOBA Tel: (204) 943-7222 Fax: (204) 947-5717

PROJECT TITLE
ISLAND LAKE FACILITY BUILDING

-REVISION NO. 0

SHEET TITLE
SIGN DETAIL

DATE (YY MM DD)
14 03 21

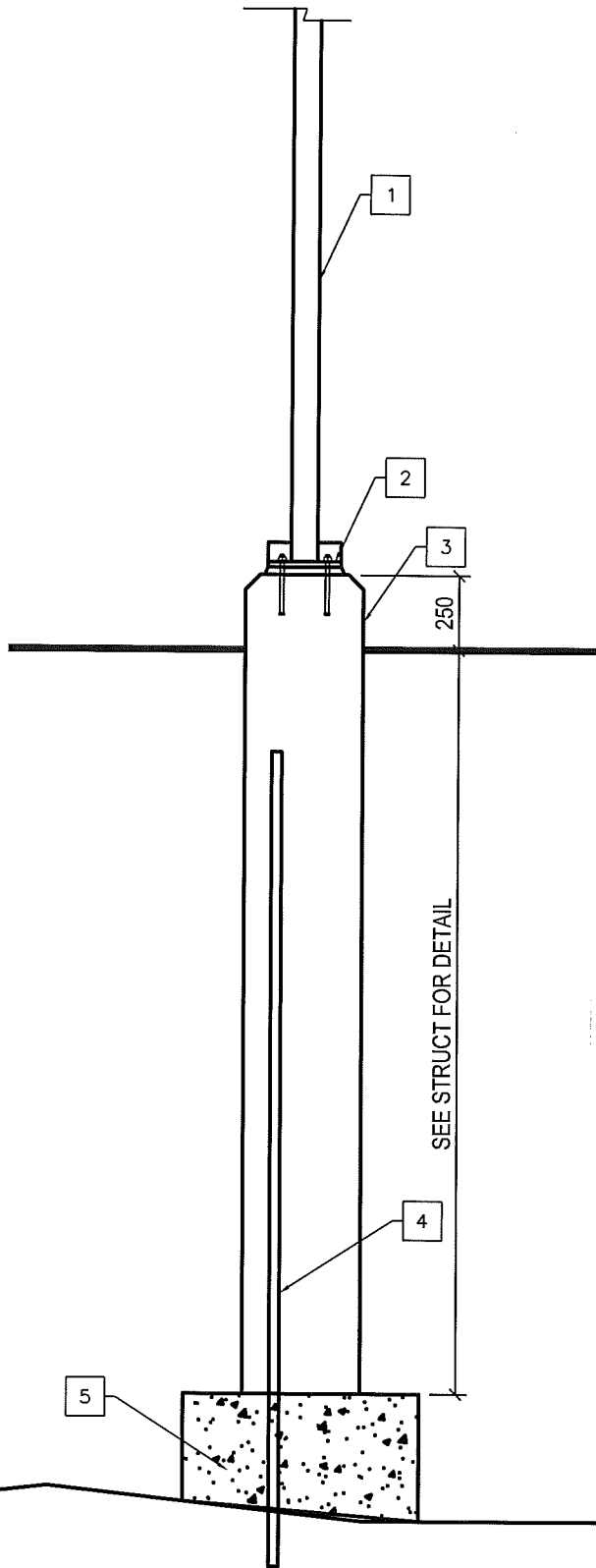
SCALE
1:25

DRAWN BY
RS

CHECKED BY
RS

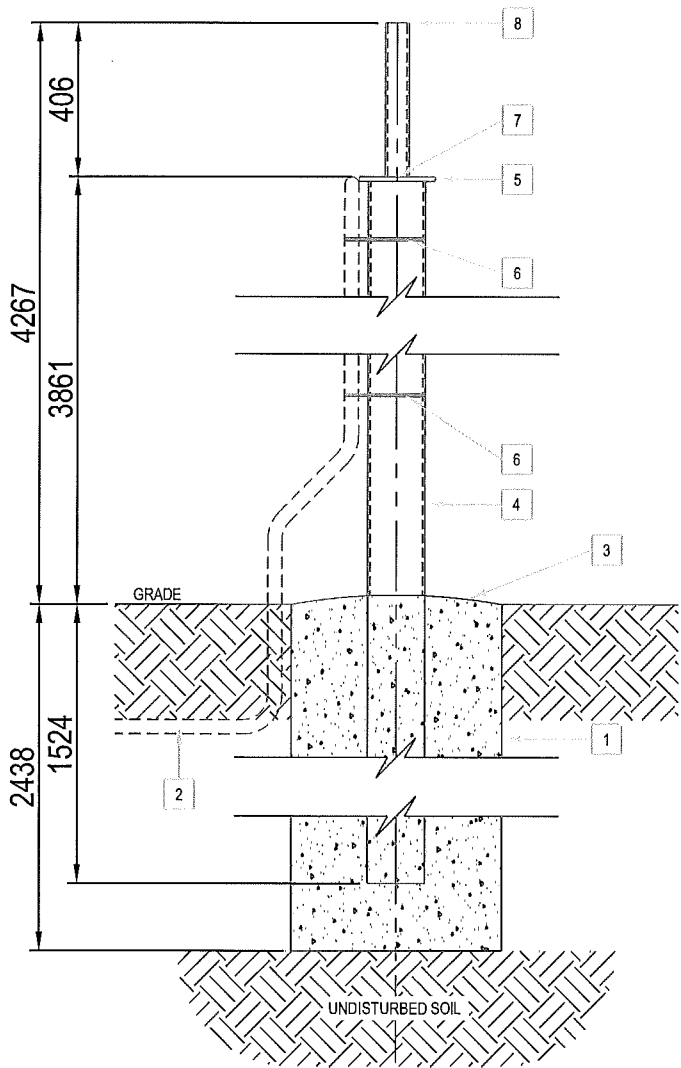
LOCATION
ISLAND LAKE, MANITOBA

A1.04
13-168-01-14



NOTES: #

1. FLAG POLE
2. FLAG POLE BASE ASSEMBLY BY FLAG POLE MANUFACTURER
3. CONCRETE PILE WITH ARCH. FINISH AT TOP
4. LIGHTNING SPIKE DIRECTLY IN CONTACT WITH ANCHOR BOLTS SUNK INTO BEDROCK
5. CONCRETE PAD



NOTE:

1. ALL MATERIAL TO BE SHOP PRIMED AFTER SHOP WELDING.
2. ALL STEEL TO BE PAINTED BLACK (2 COATS)
3. DIMENSIONS ARE APPROXIMATE. TO BE VERIFIED ON SITE.
4. ALL PIPE TO BE SCHEDULE 40 UNLESS NOTED OTHERWISE (U.N.O.)
5. SECURELY WEATHERSEAL AROUND PENETRATION(S).
6. CONTRACTOR TO CARRY OUT ALL SERVICES LOCATES PRIOR TO INSTALLING MOUNT FOUNDATIONS.
7. PILE TO BE FOUNDED IN UNDISTURBED NATIVE MATERIAL WITH MINIMUM ALLOWABLE BEARING CAPACITY OF 1600 psf.
8. WHEN SONOTUBE IS REMOVED, ANY VOIDS AROUND PERIMETER OF CONCRETE PILE TO BE PATCHED WITH GROUT, SOIL SHALL BE GRADED SO THAT WATER FLOWS AWAY FROM PILE.
9. THE SITE SHALL BE LEFT IN A CLEAN AND NEAT CONDITION INCLUDING REMOVAL OF ALL EXCAVATED MATERIAL, AFTER ALL WORK HAS BEEN COMPLETED.

GROUND MOUNT FOUNDATION FOR ANTENNA

SCALE: 1:20

KEYNOTES:

- | | |
|---|---|
| 1 | 559mmØ DRILLED CONCRETE CASSION 30 MPa CONCRETE, AIR ENTRAINED 5-7%, & 102mm SLUMP (± 25mm) |
| 2 | 38mm I.D. BURIED PVC CONDUIT (IN TRENCH WHERE REQUIRED) |
| 3 | SLOPE TOP OF CONCRETE 25mm ± AWAY FROM POLE ALL AROUND |
| 4 | 152mm SCH 40 PIPE (168 O.D.) |
| 5 | 13mm PLATE WELDED ALL AROUND |
| 6 | CONDUIT STRAPPING (AS REQUIRED) |
| 7 | 13mmØ DRAIN HOLE @ PLATE ELEVATION |
| 8 | 64mm SCH 40 PIPE (73mm O.D.) |



1940 MAIN STREET, WINNIPEG, MANITOBA Tel: (204) 943-7222 Fax: (204) 947-5717

PROJECT TITLE
ISLAND LAKE FACILITY BUILDING

SHEET TITLE
SATELLITE DISH DETAIL

DATE (YY MM DD)
14 03 21

SCALE
1:20

DRAWN BY
RS

CHECKED BY
RS

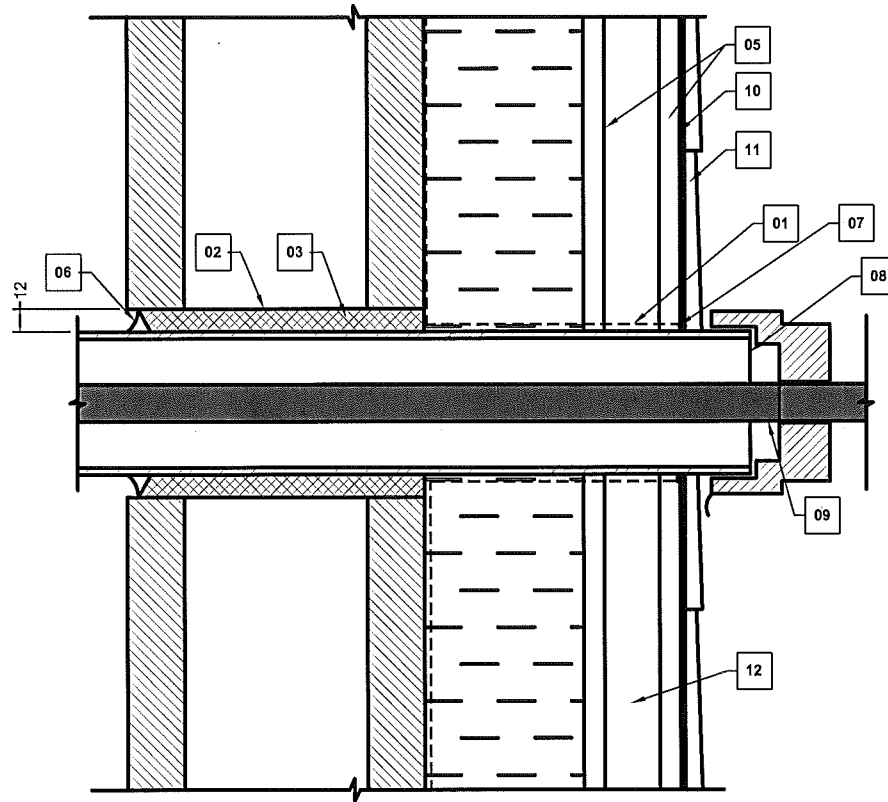
LOCATION
ISLAND LAKE, MANITOBA, CANADA

PROJECT TITLE
00

A1.06

JOB NO.
13-168-01-14

THE GENERAL CONTRACTOR SHALL VERIFY ALL DIMENSIONS, DURING AND AFTER CONSTRUCTION, AND SHALL BE RESPONSIBLE FOR CORRECTING ANY DISCREPANCIES OR OMISSIONS TO COMPLETE THE PROJECT TO THE CLIENT'S SATISFACTION. THE GENERAL CONTRACTOR SHALL BE RESPONSIBLE FOR OBTAINING ALL NECESSARY PERMITS AND APPROVALS FROM THE LOCAL, PROVINCIAL AND FEDERAL AUTHORITIES. THE GENERAL CONTRACTOR SHALL BE RESPONSIBLE FOR OBTAINING ALL NECESSARY INSURANCE COVERAGE. THE GENERAL CONTRACTOR SHALL BE RESPONSIBLE FOR OBTAINING ALL NECESSARY SERVICES FROM THE CLIENT. THE GENERAL CONTRACTOR SHALL BE RESPONSIBLE FOR OBTAINING ALL NECESSARY SERVICES FROM THE CLIENT. THE GENERAL CONTRACTOR SHALL BE RESPONSIBLE FOR OBTAINING ALL NECESSARY SERVICES FROM THE CLIENT.



KEYNOTES:

- 01 PEEL & STICK AIR/VAPOUR BARRIER MEMBRANE SEALED AGAINST CONDUIT (FULL PERIMETER)
- 02 BLOCKING ON 4 SIDES OF OPENING
- 03 SPRAY FOAM INSULATION TO FILL CAVITY
- 04 EXTEND CONDUIT 25mm PAST EIFS
- 05 PLYWOOD
- 06 SEALANT

- 07 SEALANT AND FOAM ROD
- 08 WAVEGUIDE BOOT WITH COMPRESSION RINGS - BY TOWER INSTALLER
- 09 RADIO TOWER CABLE THROUGH BOOT - N.I.C
- 10 AIR BARRIER
- 11 SIDING
- 12 38 X 89 VERTICAL STRAPPING



PROJECT TITLE
ISLAND.LAKE.FACILITY.BUILDING

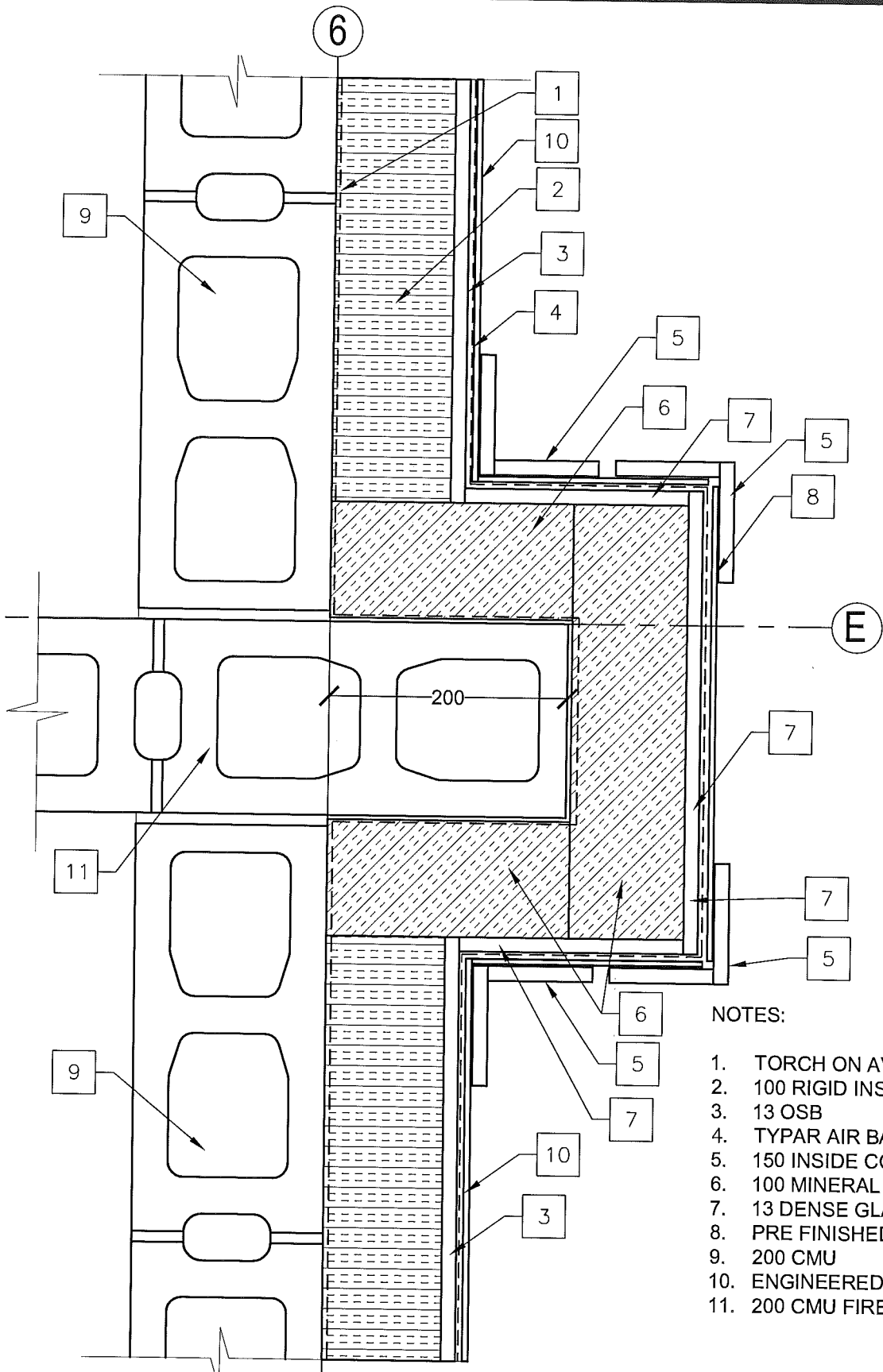
SHEET TITLE
RADIO TOWER CABLE ENTRY

DATE (YY MM DD) SCALE DRAWN BY CHECKED BY
14 03 21 N.T.S RS RS

LOCATION
ISLAND LAKE, MANITOBA

REV.NO

A2.01
JOB NO.
13-168-01-14



NOTES:

1. TORCH ON AVB
2. 100 RIGID INSULATION
3. 13 OSB
4. TYPAR AIR BARRIER
5. 150 INSIDE CORNER BOARD
6. 100 MINERAL FIBER INSULATION
7. 13 DENSE GLASS
8. PRE FINISHED METAL CAP
9. 200 CMU
10. ENGINEERED SIDING
11. 200 CMU FIRE WALL



PROJECT TITLE
ISLAND LAKE FACILITY BUILDING

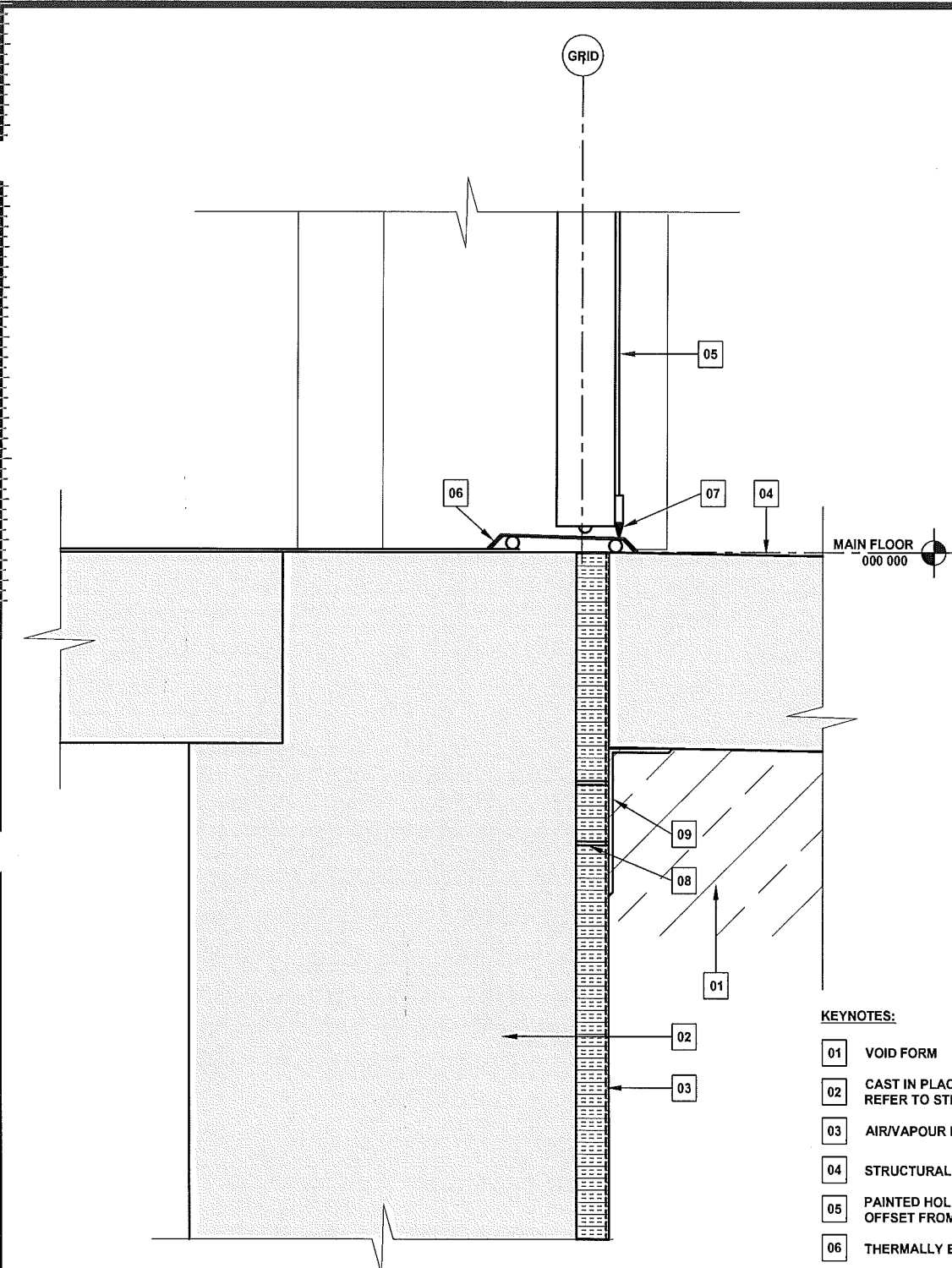
SHEET TITLE
FIRE WALL DETAIL

DATE (YY/MM/DD) SCALE DRAWN BY CHECKED BY
 14 03 21 1:25 RS RS

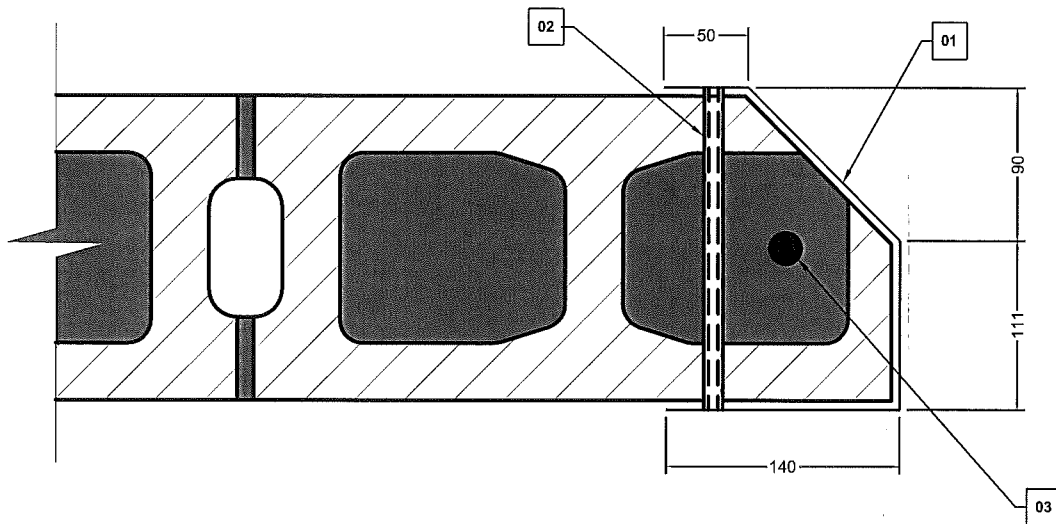
LOCATION
 ISLAND LAKE, MANITOBA

REVISION NO. 0

A2.02
 JOB NO.
13-168-01-14



- KEYNOTES:**
- 01 VOID FORM
 - 02 CAST IN PLACE CONCRETE GRADE BEAM
REFER TO STRUCTURAL
 - 03 AIR/VAPOUR BARRIER
 - 04 STRUCTURAL CONCRETE STOOP
 - 05 PAINTED HOLLOW METAL DOOR,
OFFSET FROM BUILDING FACE
 - 06 THERMALLY BROKEN DOOR THRESHOLD
 - 07 SWEEP ATTACHED TO DOOR
 - 08 STAND OFF (SEE STRUCTURAL)
 - 09 STEEL ANGLE (SEE STRUCTURAL)



KEYNOTES:

- 01 STEEL JAMB FRAME
- 02 9mm STEEL BAR ANCHORS, FACTORY WELDED(5 PER JAMB)
- 03 10M CONTINUOUS REBAR TIED INTO WALL



ENGINEERING AND DRAFTING
 1948 MAIN STREET, WINNIPEG, MANITOBA Tel: (204) 943-7222 Fax: (204) 947-5717

PROJECT TITLE
 ISLAND.LAKE.FACILITY.BUILDING

SHEET TITLE
 CELL GLASS BLOCK JAMB

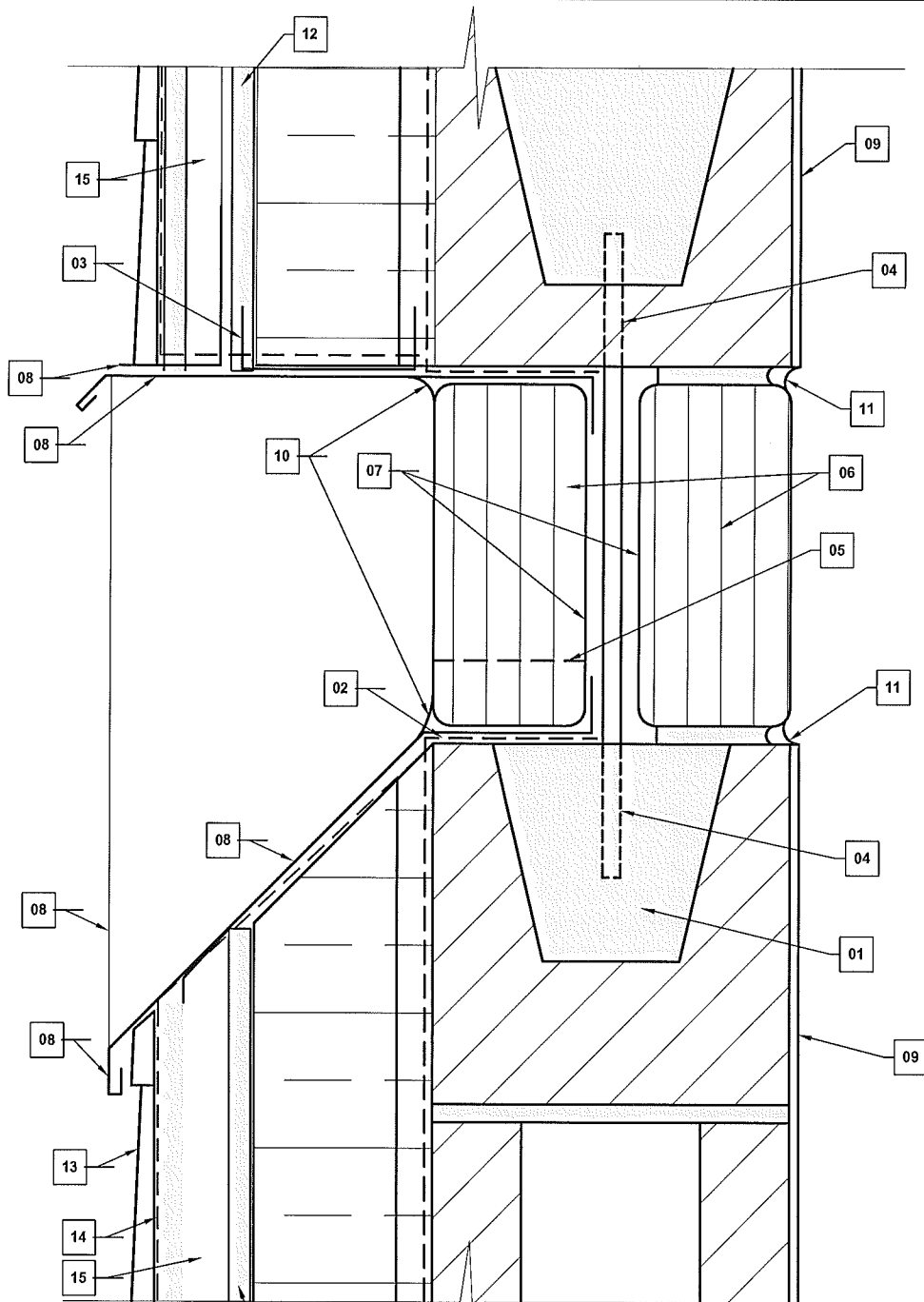
DATE (YY MM DD) SCALE DRAWN BY CHECKED BY
 14 03 21 N.T.S RS RS

LOCATION
 ISLAND LAKE, MANITOBA

REV.NO

A3.02

JOB NO.
 13-168-01-14



KEYNOTES:

- | | | |
|---|---|--|
| <p>01 FILL CORE OF CONCRETE BLOCK WITH CONCRETE</p> <p>02 AIR/VAPOUR BARRIER MEMBRANE CARRIED INTO ROUGH OPENING, AND OVER STEEL ANGLE</p> <p>03 METAL CHANNELS, FRAMING OPENING</p> <p>04 10M REINFORCING X 400mm LONG @ 200mm O.C., CENTRED ON EACH GLASS BLOCK</p> <p>05 WEEPHOLE VENTS. PROVIDE TWO PER WINDOW OPENING IN VERTICAL JOINT</p> | <p>06 SOLID GLASS BLOCK UNITS</p> <p>07 SANDBLAST THE INTERIOR FACE OF BOTH SIDES OF GLASS BLOCK</p> <p>08 PRE-FINISHED METAL FLASHING</p> <p>09 EPOXY COATING ON WALLS</p> <p>10 SEALANT</p> <p>11 EPOXY SEALANT</p> | <p>12 12 OSB</p> <p>13 SIDING</p> <p>14 AIR BARRIER</p> <p>15 VERTICAL STRAPPING</p> |
|---|---|--|



PROJECT TITLE
ISLAND.LAKE.FACILITY.BUILDING

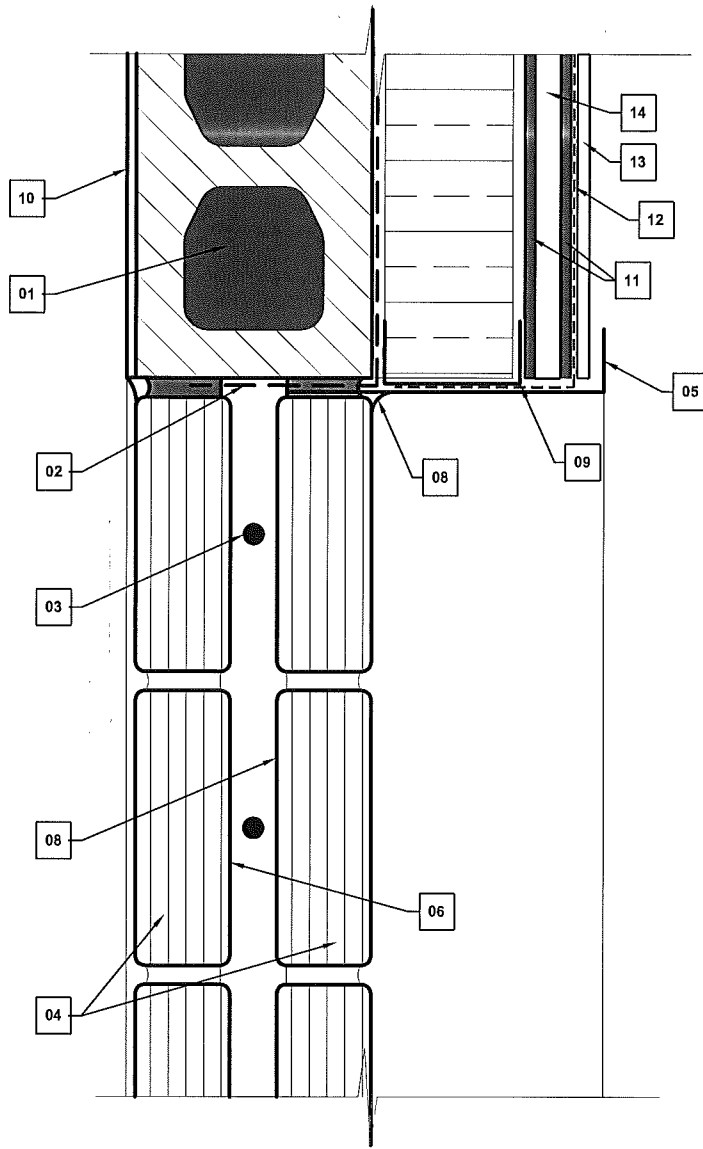
SHEET TITLE
CELL GLASS BLOCK HEAD AND SILL

DATE (YYMMDD) SCALE DRAWN BY CHECKED BY
 14 03 21 N.T.S RS RS

LOCATION
 ISLAND LAKE, MANITOBA

REV.NO

A3.03
 JOB NO.
13-168-01-14



KEYNOTES:

- | | | |
|---|--|---|
| <p>01 FILL CORE OF CONCRETE BLOCK WITH GROUT</p> <p>02 CARRY AIR/VAPUR BARRIER INTO ROUGH WINDOW OPENING AS SHOWN</p> <p>03 10M REINFORCING X 400mm LONG @ 200mm O.C. CENTRED ON EACH GLASS BLOCK</p> <p>04 SOLID GLASS BLOCK UNITS</p> <p>05 PRE-FINISHED METAL FLASHING</p> | <p>06 ETCH OR SANDBLAST THE INTERIOR FACE OF BOTH WYTHES OF GLASS BLOCK</p> <p>07 EPOXY SEALANT</p> <p>08 SEALANT</p> <p>09 METAL CHANNELS, FRAMING OPENING</p> <p>10 EPOXY COATING ON WALLS</p> | <p>11 11 OSB</p> <p>12 AIR BARRIER</p> <p>13 SIDING</p> <p>14 STRAPPING</p> |
|---|--|---|



PROJECT TITLE
ISLAND LAKE FACILITY BUILDING

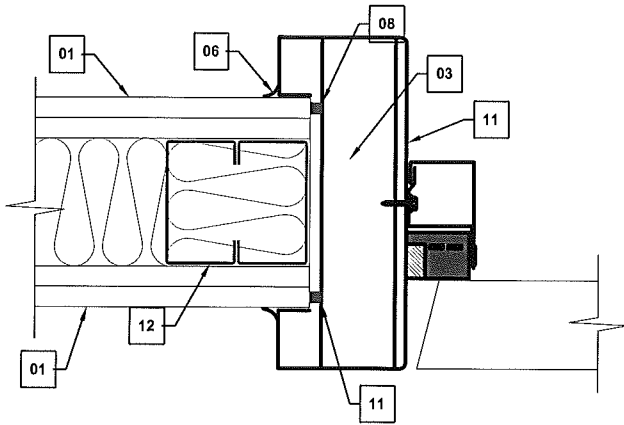
SHEET TITLE
CELL GLASS BLOCK WINDOW JAMB

DATE (YY MM DD) SCALE DRAWN BY CHECKED BY
 14 03 21 N.T.S RS RS

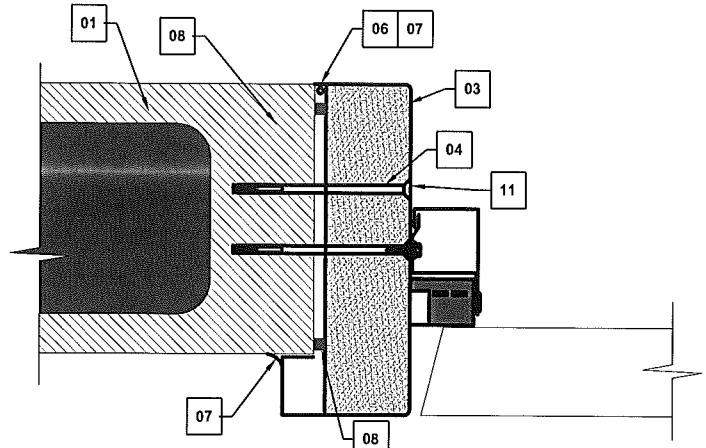
LOCATION
 ISLAND LAKE, MANITOBA

REV.NO

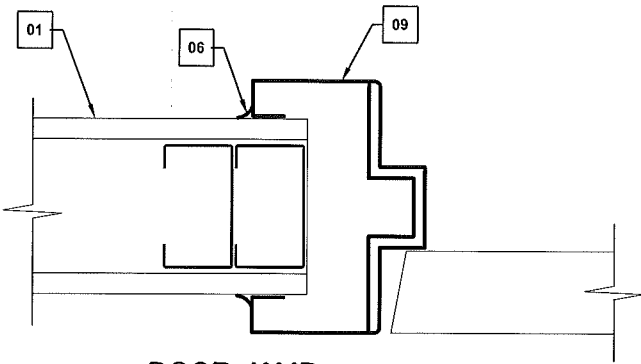
A3.04
 JOB NO.
 13-168-01-14



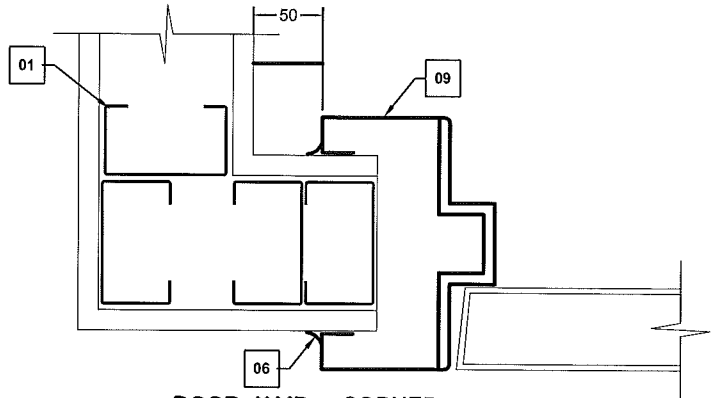
ACOUSTIC DOOR JAMB IN STUD PARTITION
SCALE: N.T.S



ACOUSTIC DOOR JAMB IN CONCRETE BLOCK PARTITION
SCALE: N.T.S



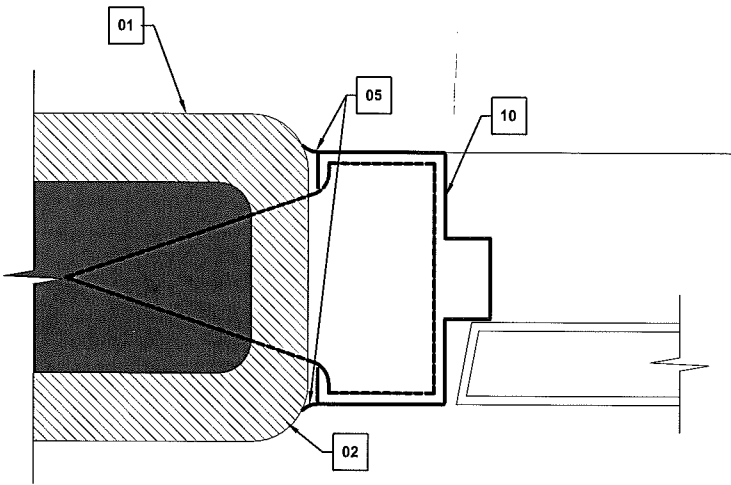
DOOR JAMB
SCALE: N.T.S



DOOR JAMB • CORNER
SCALE: N.T.S

KEYNOTES:

- 01 REFER TO FLOOR PLAN FOR WALL TYPE - THICKNESS VARIES
- 02 DOUBLE BULLNOSE BLOCK AT JAMB LOCATIONS AND LINTEL BLOCK AT HEAD LOCATION
- 03 FILL FRAME, AS PER MANUFACTURERS' INSTRUCTIONS
- 04 FRAME BOLTED INTO CORE FILLED CONCRETE BLOCK WALL
- 05 EPOXY SEALANT
- 06 SEALANT (FULL PERIMETER, BOTH SIDES)
- 07 FOAM ROD BACKING
- 08 BEAD OF ACOUSTICAL SEALANT PRIOR TO PLACEMENT OF FRAME
- 09 PRESSED STEEL FRAME - SIZE TO SUIT WALL THICKNESS
- 10 PRESSED STEEL FRAME - STANDARD WIDTH 146mm IN CELL BLOCK, GROUT OR WEDGE IN AREA OF THE STRIKE BUCKET TO PREVENT SPREADING
- 11 ACOUSTIC DOOR FRAME - SIZE TO SUIT WALL THICKNESS
- 12 1.6mm METAL STUDS W/O KNOCKOUTS TO FRAME DOOR OPENING(FILL CAVIT WITH ACOUSTIC BATT INSULATION)



DOOR JAMB AND HEAD, CENTERED IN CONCRETE BLOCK PARTITION
SCALE: N.T.S



PROJECT TITLE
ISLAND LAKE FACILITY BUILDING

SHEET TITLE
DOOR FRAME DETAILS

DATE (YY MM DD) 14 03 21 SCALE N.T.S DRAWN BY RS CHECKED BY RS

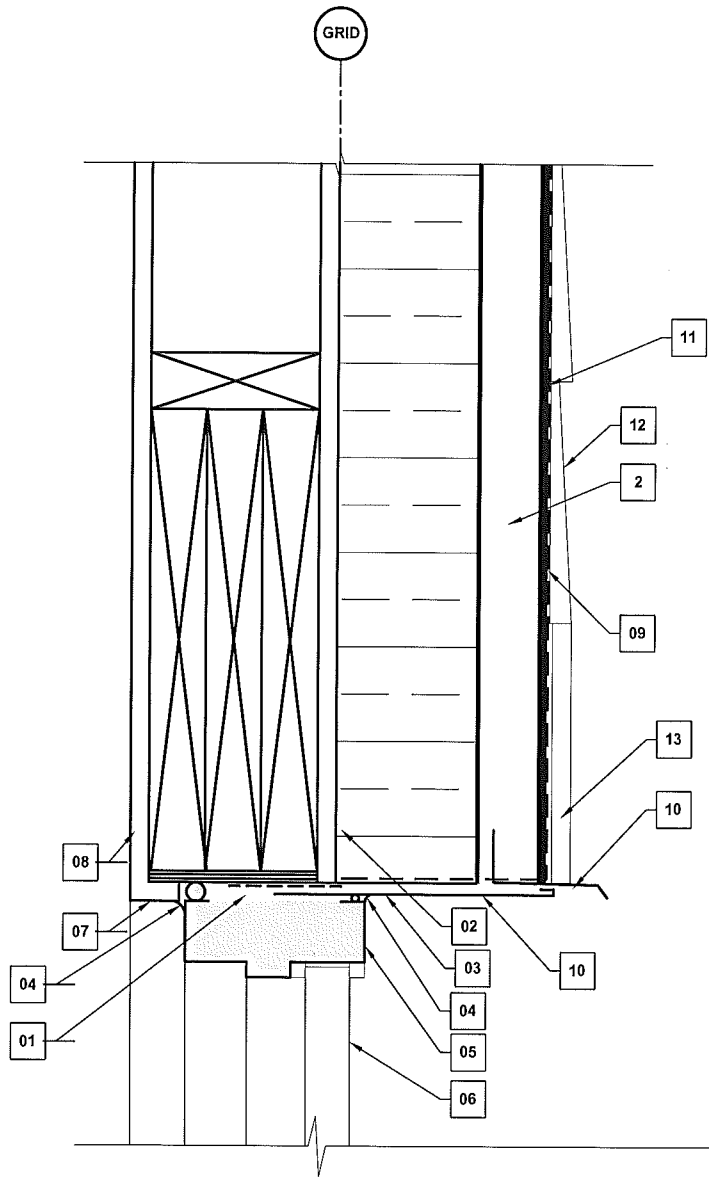
LOCATION
ISLAND LAKE, MANITOBA

REV.NO

A3.05

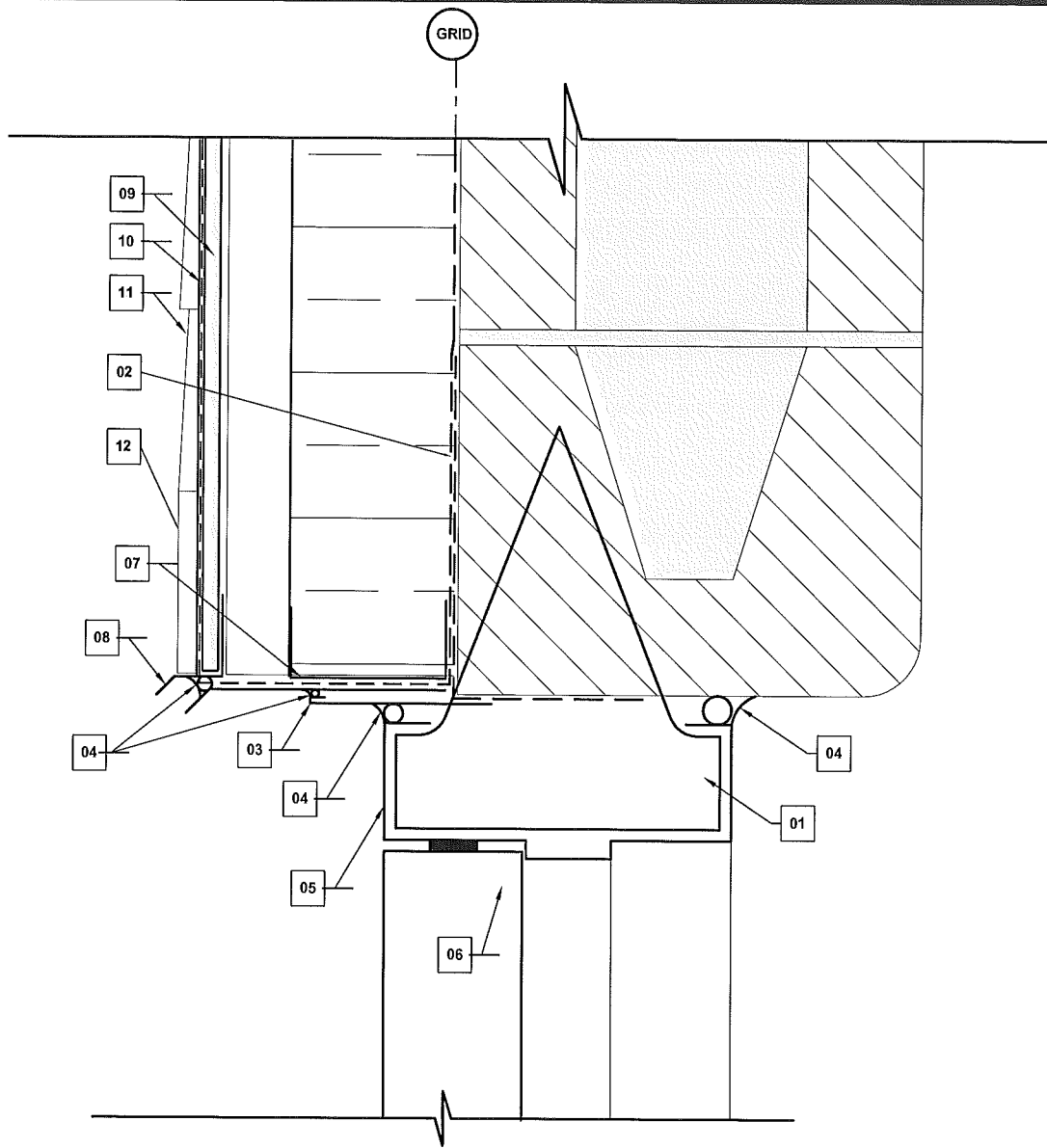
JOB NO.
13-168-01-14

ENGINEERING AND DRAFTING
1948 MAIN STREET, WINNIPEG, MANITOBA Tel: (204) 943-7222 Fax: (204) 947-5717



KEYNOTES:

- 01 FOAMED IN PLACE URETHANE INSULATION
- 02 VERTICAL STRAPPING
- 03 PRE-FINISHED METAL FLASHING
- 04 SEALANT AND FOAM ROD
- 05 PRESSED STEEL FRAME
- 06 EXTERIOR STEEL DOOR
- 07 CARRY GYPSUM BOARD INSIDE ROUGH OPENING
- 08 WOOD LINTEL
- 09 AIR BARRIER
- 10 PREFINISHED SHEET METAL FLASHING
- 11 13 PLYWOOD
- 12 SIDING
- 13 150 TRIM BOARD



KEYNOTES:

- | | |
|--|--|
| <p>01 FORAMED IN PLACE URETHANE INSULATION</p> <p>02 AIR/VAPOUR BARRIER MEMBRANE CARRIED INTO ROUGH OPENING</p> <p>03 PRE-FINISHED METAL FLASHING</p> <p>04 SEALANT AND FOAM ROD</p> <p>05 PRESSED STEEL FRAME, OFFSET FROM BUILDING FACE. GROUT OR WEDGE IN AREA OF THE STRIKE BUCKET TO PREVENT SPREADING</p> <p>06 STEEL DOOR</p> | <p>07 METAL C-CHANNEL, TO FRAME OPEING</p> <p>08 PREFINISHED SHEET METAL FLASHING</p> <p>09 13 PLYWOOD</p> <p>10 AIR BARRIER</p> <p>11 SIDING</p> <p>12 150 TRIM BOARD</p> |
|--|--|



ENGINEERING AND DRAFTING
 1948 MAIN STREET, WINNIPEG, MANITOBA Tel: (204) 943-7222 Fax: (204) 947-8717

PROJECT TITLE
ISLAND LAKE FACILITY BUILDING

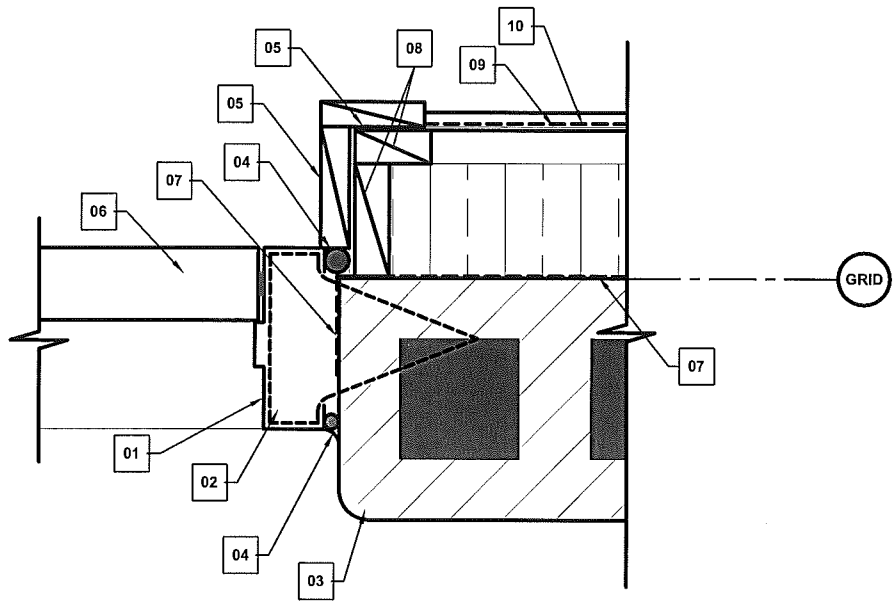
SHEET TITLE
EXTERIOR DOOR HEAD AT CONCRETE BLOCK WALL

DATE (YY MM DD) SCALE DRAWING BY CHECKED BY
 14 03 21 N.T.S RS RS

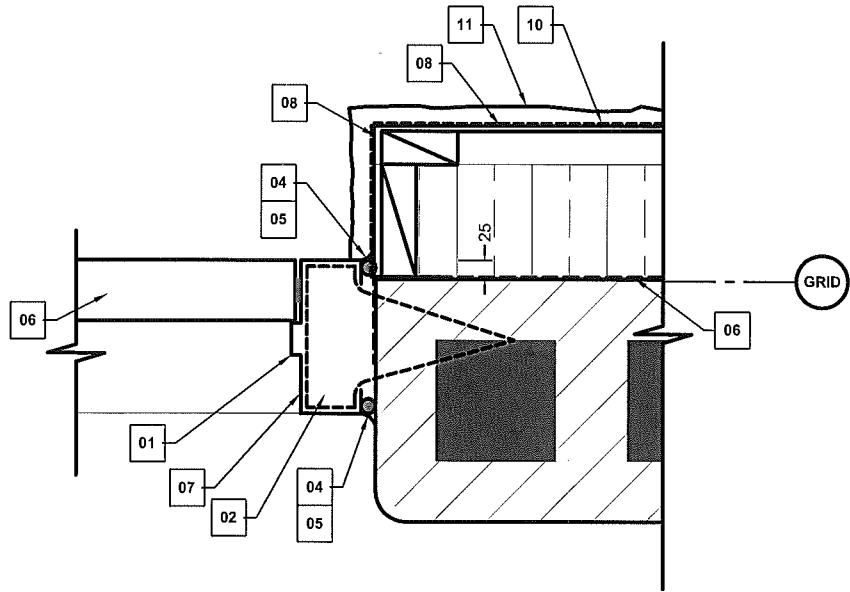
LOCATION
 ISLAND LAKE, MANITOBA

REV.NO

A3.07
 JOB NO.
13-168-01-14



DOOR JAMB - SIDING
SCALE: N.T.S



DOOR JAMB - CULTURED STONE
SCALE: N.T.S

KEYNOTES:

- | | | |
|--|---|---|
| <p>01 PRESSED STEEL FRAME, OFFSET FROM BUILDING FACE. GROUT OR WEDGE IN AREA FO THE STRIKE BUCKET TO PREVENT SPREADING</p> <p>02 FOAMED-IN-PLACE URETHENE INSULATION</p> <p>03 SINGLE BULL NOSED CONCRETE BLOCK</p> <p>04 SEALANT AND FOAM ROD</p> | <p>05 100mm TRIM BOARD</p> <p>06 DOOR</p> <p>07 AIR/VAPOUR BARRIER, TURNED INTO R.O.</p> <p>08 VERTICAL STRAPPING</p> | <p>09 13 PLYWOOD</p> <p>10 AIR BARRIER</p> <p>11 CULTURED STONE</p> |
|--|---|---|



PROJECT TITLE
ISLAND LAKE FACILITY BUILDING

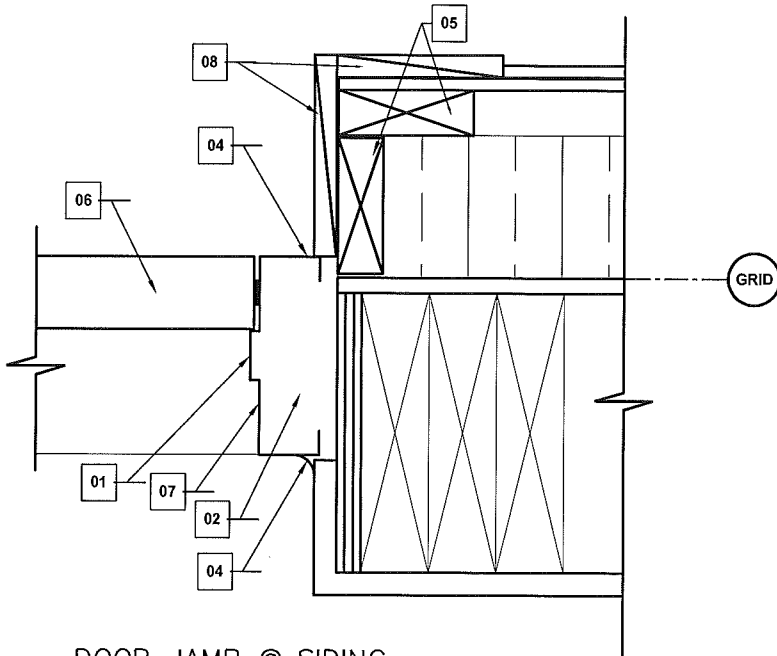
SHEET TITLE
EXTERIOR DOOR JAMB

DATE (YYMMDD) SCALE DRAWN BY CHECKED BY
14 03 21 N.T.S RS RS

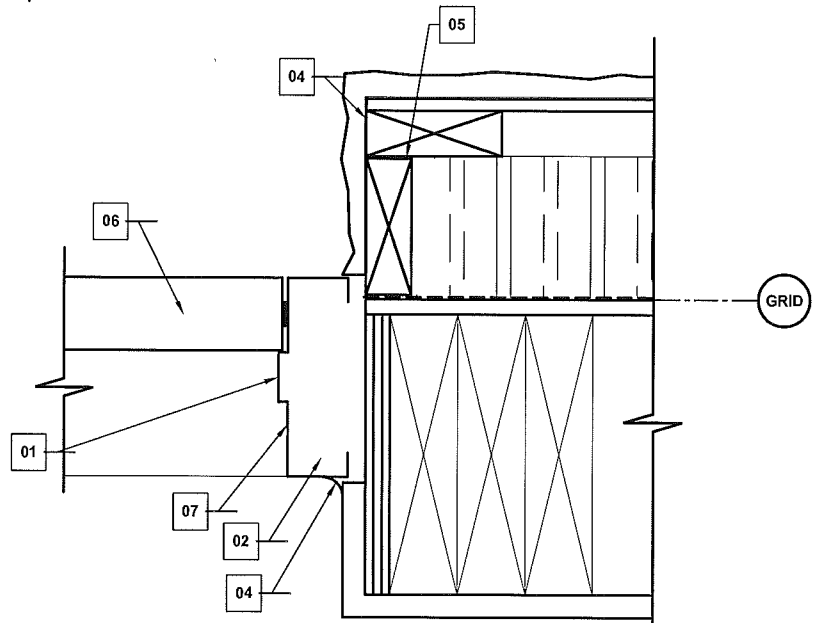
LOCATION
ISLAND LAKE, MANITOBA

REV.NO

A3.09
JOB NO.
13-168-01-14



DOOR JAMB @ SIDING
SCALE: N.T.S



DOOR JAMB @ CULTURED STONE VENEER
SCALE: N.T.S

KEYNOTES:

- | | |
|--|---|
| <p>01 PRESSED STEEL FRAME, OFFSET FROM BUILDING FACE GROUT OR WEDGE IN AREA OF THE STRIKE BUCKET TO PREVENT SPREADING</p> <p>02 FOAMED-IN-PLACE URETHENE INSULATION</p> <p>03 PREFINISHED METAL FLASHING</p> <p>04 SEALANT</p> | <p>05 WOOD BLOCKING</p> <p>06 STEEL DOOR</p> <p>07 VERTICAL WOOD STRAPPING</p> <p>08 TRIM BOARD</p> |
|--|---|



ENGINEERING AND DRAFTING
1940 MAIN STREET, WINNIPEG, MANITOBA Tel: (204) 943-7222 Fax: (204) 947-8717

PROJECT TITLE
ISLAND LAKE FACILITY BUILDING

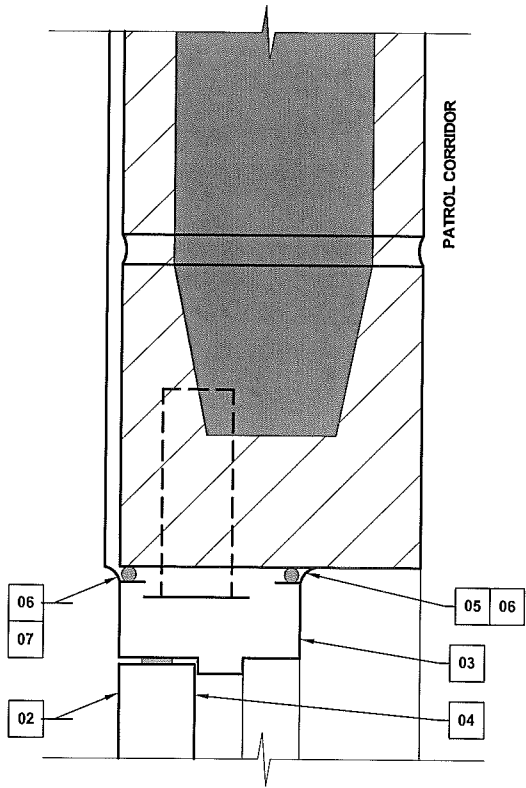
SHEET TITLE
EXTERIOR DOOR JAMB AT WOOD STUD WALL

DATE (YY MM DD) SCALE DRAWN BY CHECKED BY
14 03 21 N.T.S RS RS

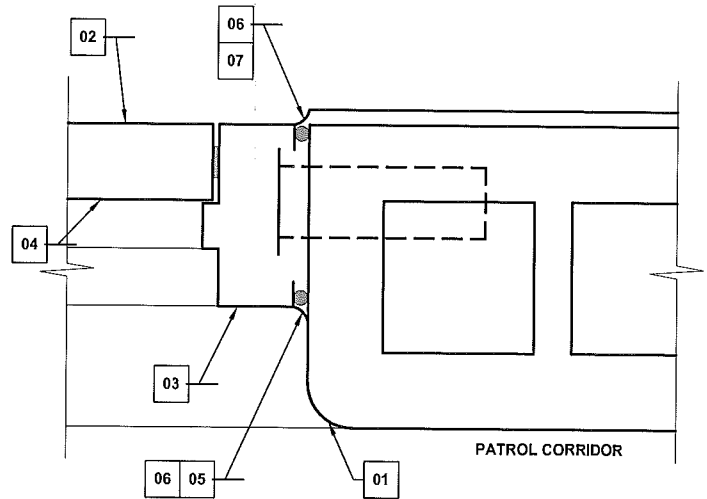
LOCATION
ISLAND LAKE, MANITOBA

REV.NO

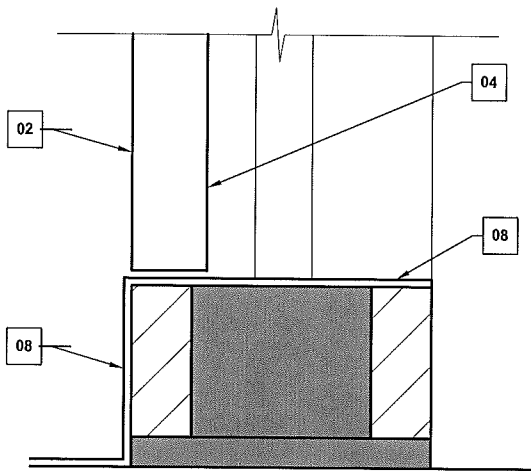
A3.10
JOB NO
13-168-01-14



A - HEAD DETAIL
SCALE: N.T.S



B - JAMB DETAIL
SCALE: N.T.S



C - BASE DETAIL
SCALE: N.T.S

KEYNOTES:

- 01 SINGLE BULL NOSED CONCRETE BLOCK
- 02 OUTSIDE FACE OF DOOR FRAME TO LINE UP W/ CONCRETE BLOCK FACE
- 03 PRESSED STEEL FRAME
- 04 HOLLOW METAL DOOR
- 05 SEALANT
- 06 FOAM ROD
- 07 EPOXY SEALANT
- 08 SEAMLESS EPOXY QUARTZ FLOORING BASE AND SILL



PROJECT TITLE
ISLAND LAKE FACILITY BUILDING

SHEET TITLE
MECHANICAL CHASE DOOR

DATE (YY MM DD)
14 03 21

SCALE
N.T.S

DRAWN BY
RS

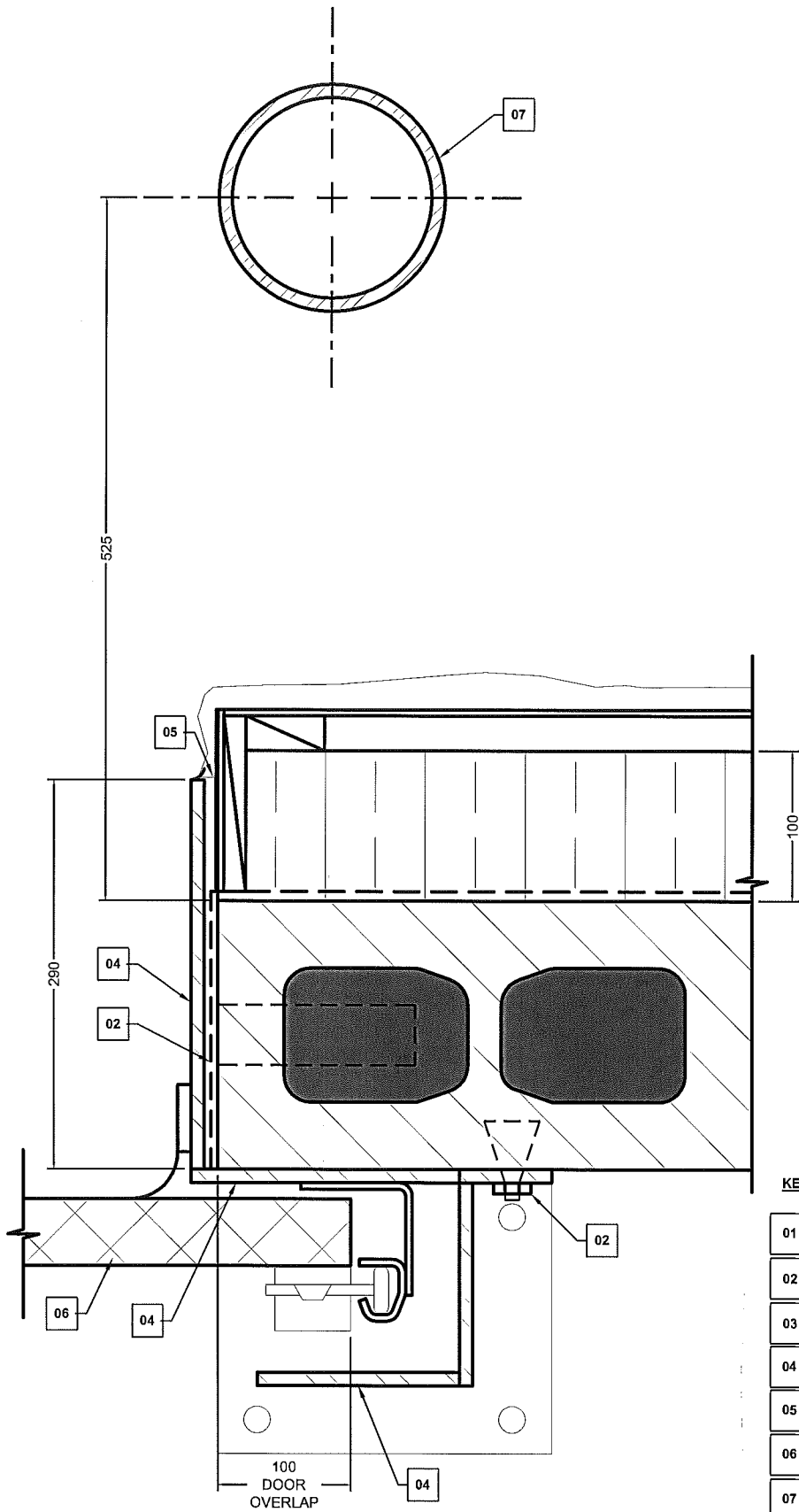
CHECKED BY
RS

LOCATION
ISLAND LAKE, MANITOBA

REV.NO

A3.11

JOB NO.
13-168-01-14



KEYNOTES:

- 01** 5mm THICK STEEL FORMED SHEET, 1500mm HIGH TRACK GUARD FULLY WELDED TO STEEL BASE ANCHORED WITH 12mm DIAM. ANCHORS. PAINTED BRIGHT OSHA YELLOW
- 02** TRACK GUARD SECURED TO WALL WITH 4-9 mm DIAM ANCHORS
- 03** WRAP AIR/VAPOUR BARRIER AROUND JAMB OPENING
- 04** PAINTED 315 X 190 X 6 STEEL JAMB, FULL HEIGHT
- 05** SEALANT AND FOAM ROD
- 06** OVERHEAD DOOR
- 07** CONCRETE FILLED STEEL BOLLARD



ENGINEERING AND DRAFTING
 1318 MAIN STREET, WINNIPEG, MANITOBA Tel: (204) 943-7222 Fax: (204) 947-6717

PROJECT TITLE
ISLAND LAKE FACILITY BUILDING

SHEET TITLE
OVERHEAD DOOR JAMB AT CULTURED STONE

DATE (YY MM DD) SCALE DRAWN BY CHECKED BY
 14 03 21 N.T.S. RS RS

LOCATION
 ISLAND LAKE, MANITOBA

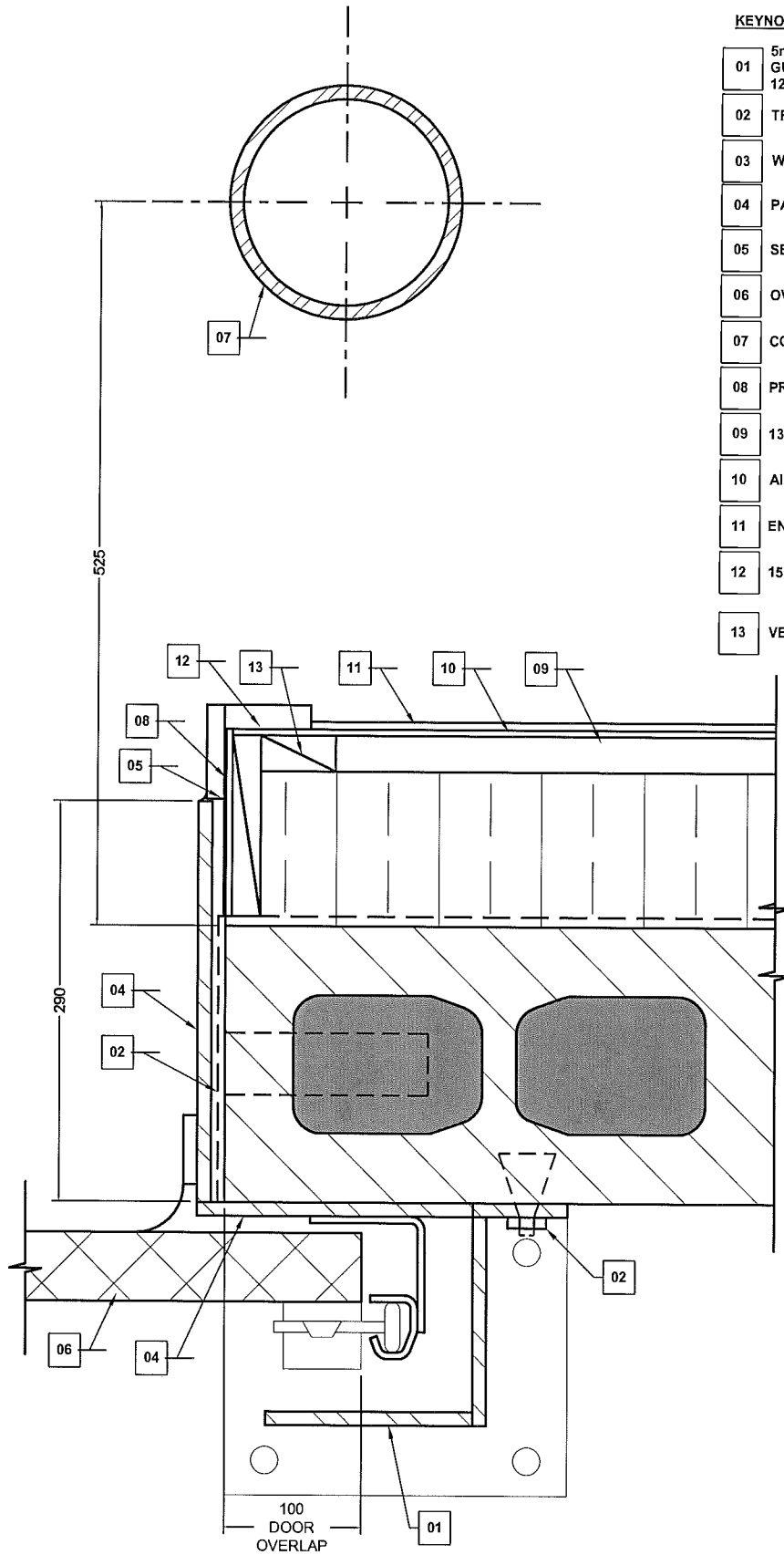
REV.NO

A3.12

JOB NO.
13-168-01-14

KEYNOTES:

- 01 5mm THICK STEEL FORMED SHEET, 1500mm HIGH TRACK GUARD FULLY WELDED TO STEEL BASE ANCHORED WITH 12mm DIAM. ANCHORS. PAINTED BRIGHT OSHA YELLOW
- 02 TRACK GUARD SECURED TO WALL WITH 4-9 mm DIAM ANCHORS
- 03 WRAP AIR/VAPOUR BARRIER AROUND JAMB OPENING
- 04 PAINTED 315 X 190 X 6 STEEL JAMB, FULL HEIGHT
- 05 SEALANT AND FOAM ROD
- 06 OVERHEAD DOOR
- 07 CONCRETE FILLED STEEL BOLLARD
- 08 PRE-FINISHED METAL FLASHING
- 09 13 PLYWOOD
- 10 AIR BARRIER
- 11 ENGINEERED SIDING
- 12 150mm CORNER BOARD
- 13 VERTICAL STRAPPING



ENGINEERING AND DRAFTING
 1943 MAIN STREET, WINNIPEG, MANITOBA Tel: (204) 943-7222 Fax: (204) 947-8717

PROJECT TITLE
ISLAND LAKE FACILITY BUILDING

SHEET TITLE
OVERHEAD DOOR JAMB AT SIDING

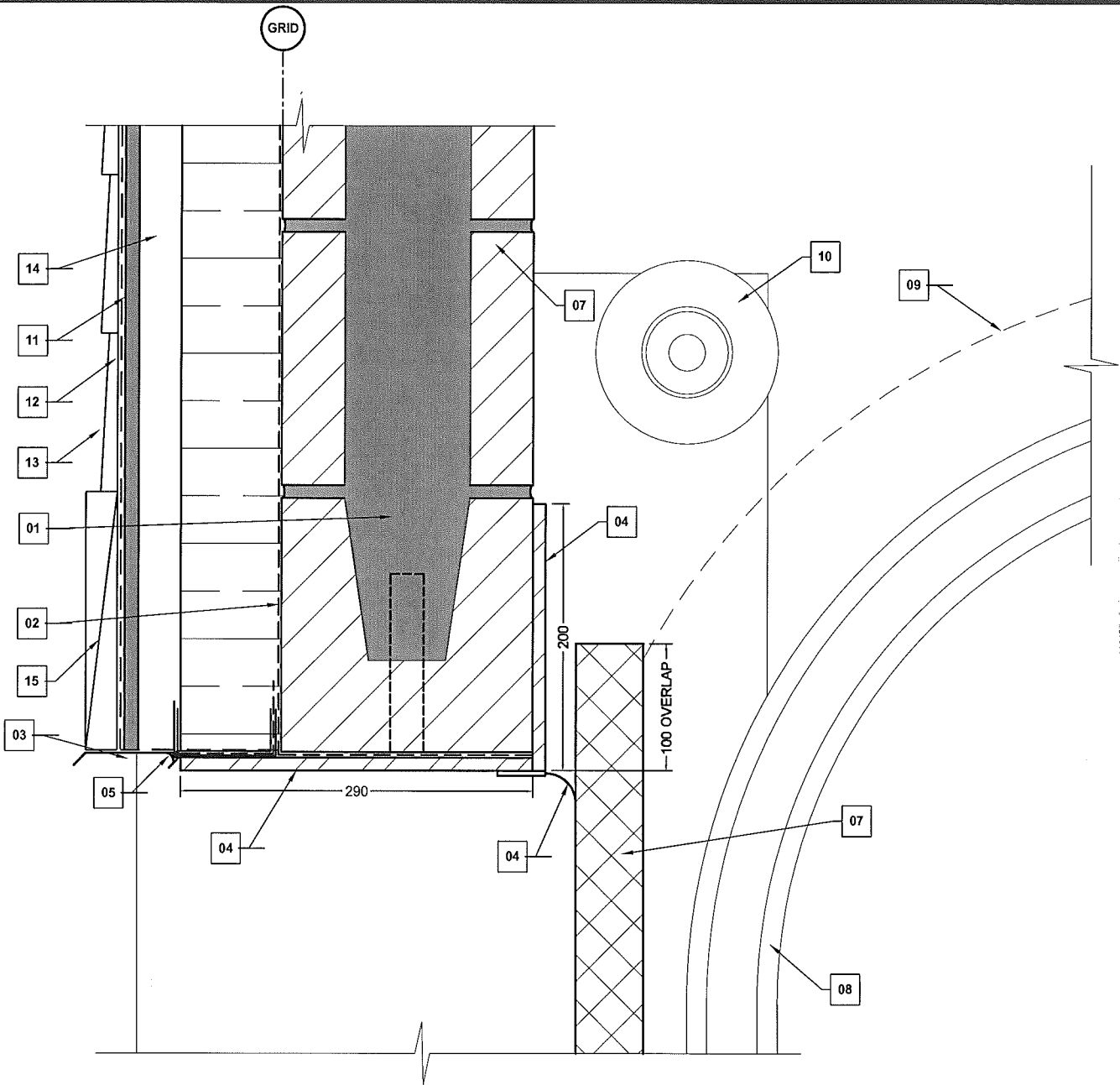
DATE (YY MM DD) SCALE DRAWN BY CHECKED BY
 14 03 21 N.T.S RS RS

LOCATION
 ISLAND LAKE, MANITOBA

REV.NO

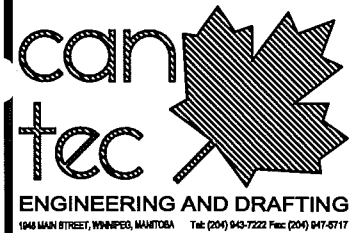
A3.13

JOB NO.
13-168-01-14



KEYNOTES:

- | | | |
|---|--|---|
| <p>01 CONCRETE BLOCK LINTEL - REFER TO STRUCTURAL</p> <p>02 AIR/VAPOUR BARRIER MEMBRANE, CARRIED INTO ROUGH OPENING, AND OVER STEEL ANGLE</p> <p>03 PRE-FINISHED METAL FLASHING</p> <p>04 PRE-FINISHED 265 X 190 X 6 STEEL FRAME, FULL WIDTH - PAINTED</p> <p>05 SEALANT AND FOAM ROD</p> <p>06 WEATHER STRIPPING</p> | <p>07 OVERHEAD COILING DOOR</p> <p>08 OVERHEAD DOOR TRACK</p> <p>09 LINE OF DOOR TRAVEL</p> <p>10 TORSION SPRING COUNTERBALANCE</p> <p>11 13 PLYWOOD</p> <p>12 AIR BARRIER</p> <p>13 ENGINEERED SIDING</p> | <p>14 VERTICAL STRAPPING</p> <p>15 150 TRIM BOARD</p> |
|---|--|---|



PROJECT TITLE
ISLAND LAKE FACILITY BUILDING

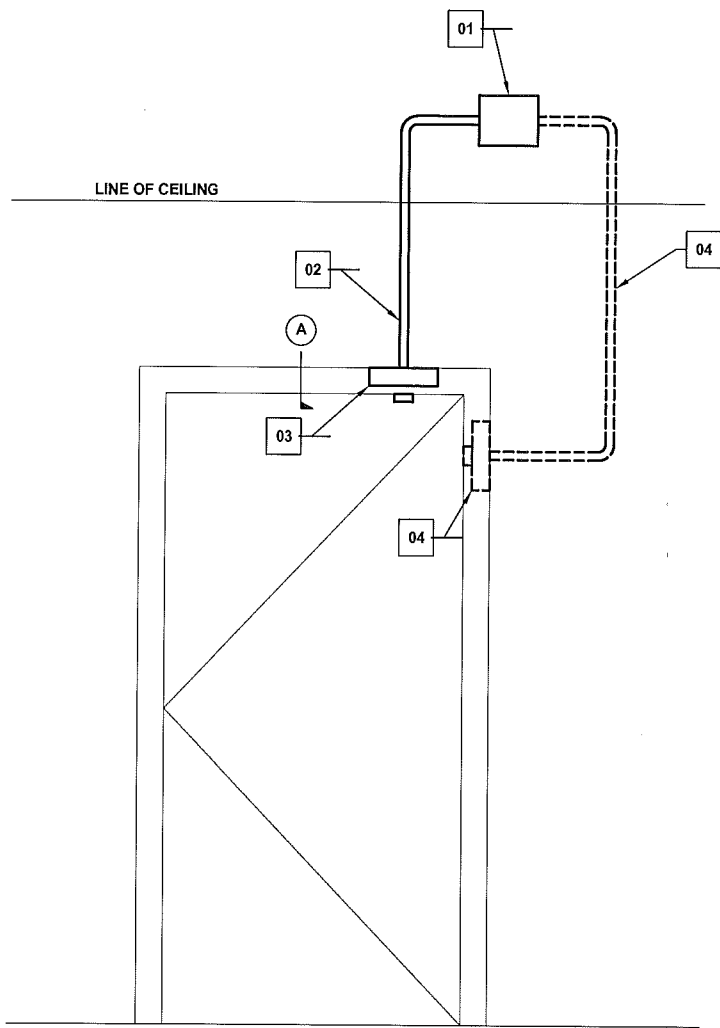
SHEET TITLE
OVERHEAD DOOR HEAD

DATE (YY MM DD) 14 03 21 SCALE N.T.S. DRAWN BY RS CHECKED BY RS

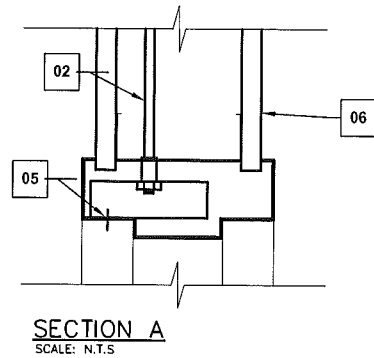
LOCATION
ISLAND LAKE, MANITOBA

REV.NO

A3.14
JOB NO.
13-168-01-14



ELEVATION
SCALE: N.T.S



SECTION A
SCALE: N.T.S

KEYNOTES:

- 01 JUNCTION BOX, ABOVE CEILING - REFER TO ELECTRICAL FOR LOCATION
- 02 12mm CONDUIT - INSTALL PULL CORD IN CONDUIT
- 03 100X100X40mm ALARM JUNCTION BOX
- 04 ALTERNATE LOCATION FO ALARM JUCTION BOX + CONDUIT, IF CONCRETE LINTEL OR GLAZING USED ABOVE DOOR
- 05 25mm HOLE IN DOOR FRAME, WITH TEMPROARY PLUG OR KNOCKOUT
- 06 WALL CONSTRUCTION VARIES - REFER TO FLOOR PLAN(S)
- 07 REFER TO DOOR AND FRAME SCHDULE FOR APPLICABLE DOORS

NOTE:

THE CONDUIT CONNECTOR WILL BE MOUNTED AND FASTENED TO THE JUNCTION BOX BY THE DOOR-FRAME FABRICATOR. JUNCTION BOX TO BE SPOT WELDED IN PLACE BY DOOR FRAME FABRICATOR. DRILL A 25mm HOLE AT THE 150mm(CENTER POINT) OF THE DOOR CASING TO ALLOW FOR DOOR SWITCH INSTALLATION AND ACCESS TO THE WIRING. CAP IF NOT USED REFER TO ELECTRICAL AUXILIARY PLAN



1948 MAIN STREET, WINNIPEG, MANITOBA Tel: (204) 943-7222 Fax: (204) 947-5717

PROJECT TITLE

ISLAND LAKE FACILITY BUILDING

SHEET TITLE

PROTECTED DOOR - ALARM DETAIL

DATE (YY MM DD)
14 03 21

SCALE
N.T.S

DRAWN BY
RS

CHECKED BY
RS

LOCATION

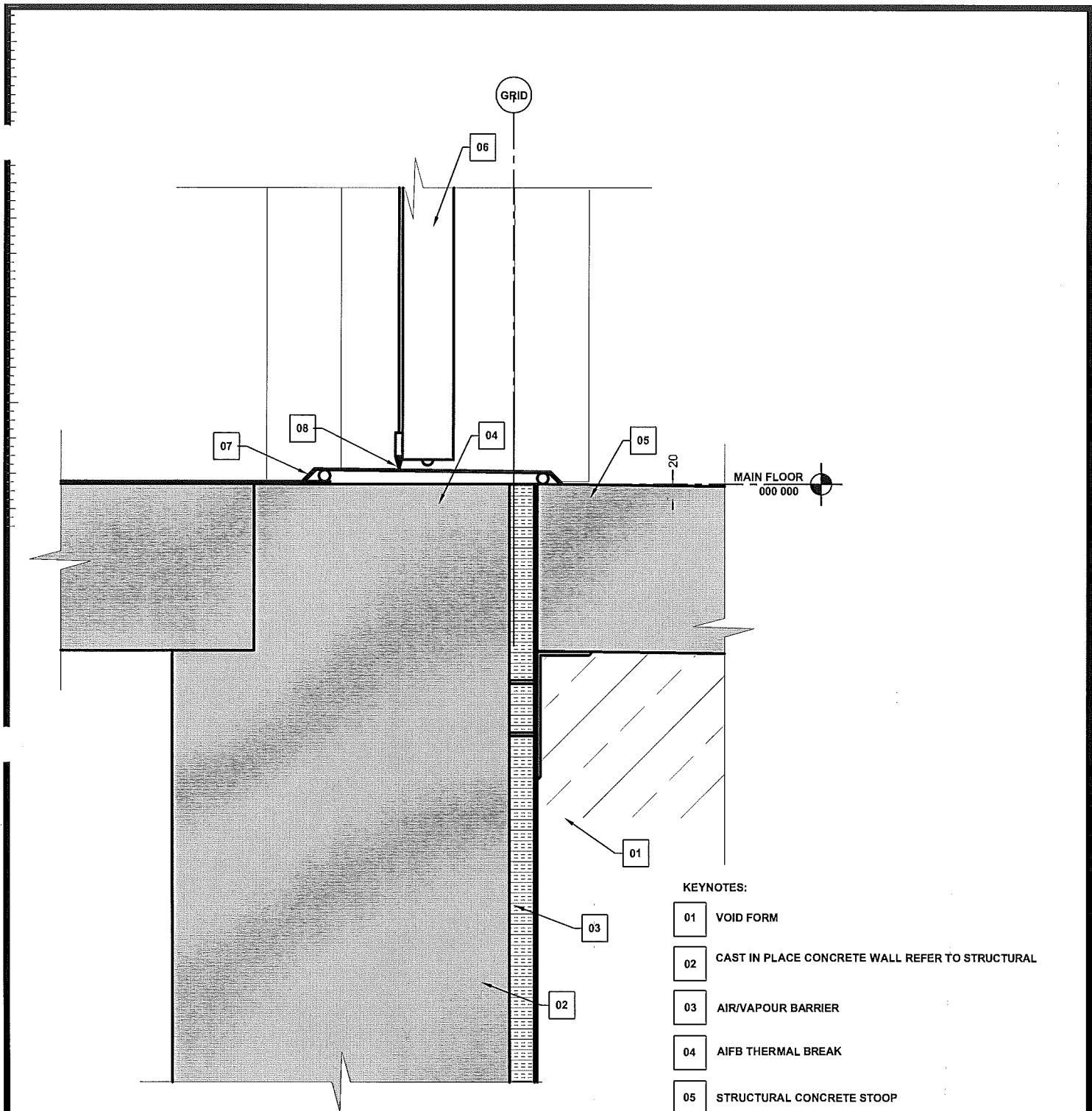
ISLAND LAKE, MANITOBA

REV.NO

A3.15

JOB NO.

13-168-01-14



KEYNOTES:

- 01 VOID FORM
- 02 CAST IN PLACE CONCRETE WALL REFER TO STRUCTURAL
- 03 AIR/VAPOUR BARRIER
- 04 AIFB THERMAL BREAK
- 05 STRUCTURAL CONCRETE STOOP
- 06 PAINTED HOLLOW METAL DOOR, OFFSET FROM BUILDING FACE
- 07 THERMALLY BROKEN DOOR THRESHOLD
- 08 SWEEP ATTACHED TO DOOR



PROJECT TITLE
ISLAND LAKE FACILITY BUILDING

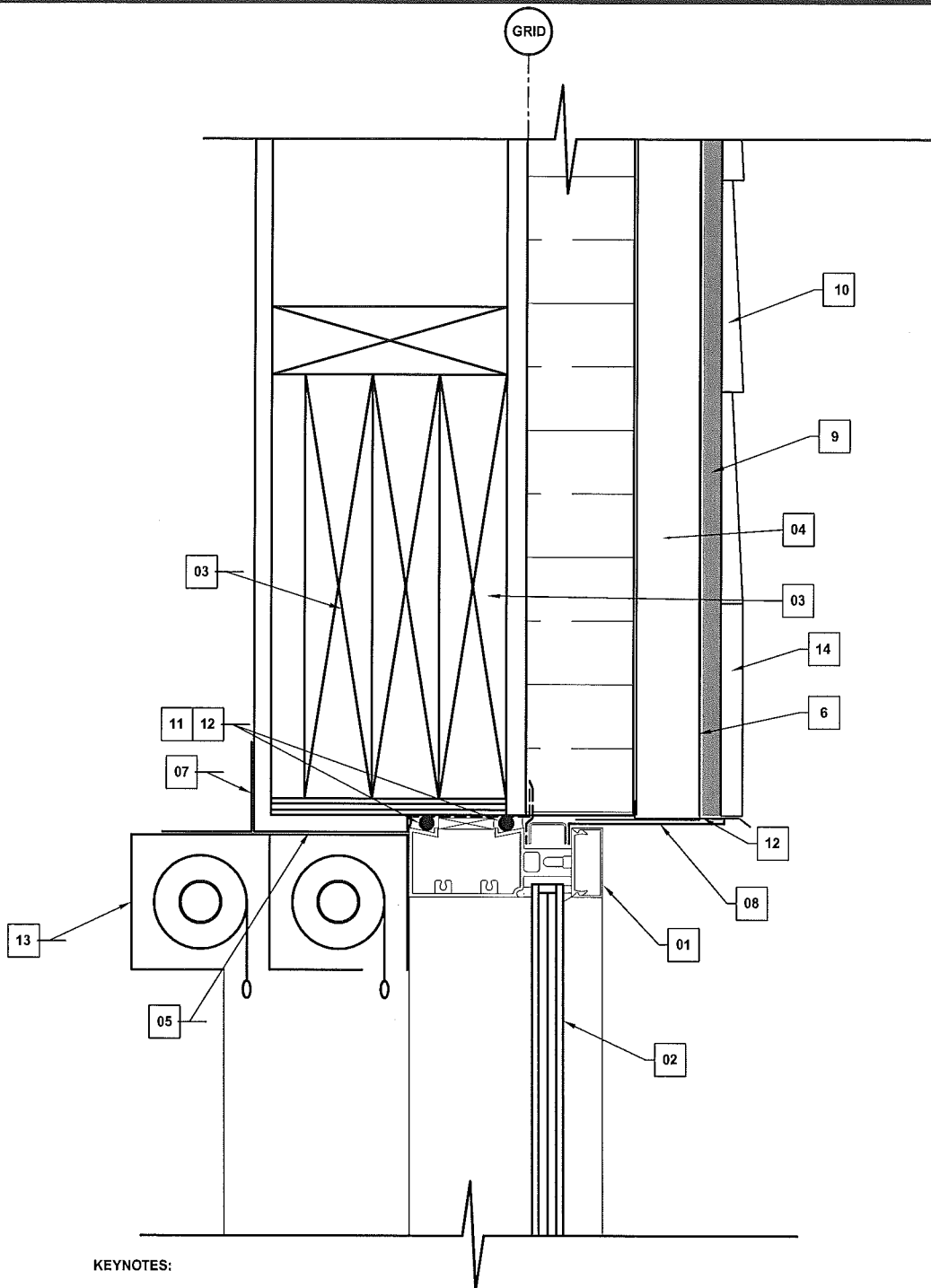
SHEET TITLE
STANDARD EXTERIOR DOOR THRESHOLD

DATE (YY MM DD) SCALE DRAWN BY CHECKED BY
 14 03 21 N.T.S RS RS

LOCATION
 ISLAND LAKE, MANITOBA

REV.NO

A3.16
 JOB NO.
 13-168-01-14



KEYNOTES:

01	ALUMINUM WINDOW	07	RIGHT ANGLE BRACKET, TO SUPPORT BLIND SYSTEM	13	BLINDS
02	SEALED TRIPPLE GLAZED GLASS UNIT	08	PRE-FINISHED METAL FLASHING	14	150 TRIM BOARD
03	WOOD LINTEL - REFER TO STRUCTURAL	09	13 PLYWOOD		
04	VERTICAL STRAPPING	10	ENGINEERED SIDING		
05	CARRY GYPSUM BOARD INTO OPENING	11	FOAM ROD		
06	AIR BARRIER	12	SEALANT		



PROJECT TITLE
ISLAND LAKE FACILITY BUILDING

SHEET TITLE
WINDOW HEAD

DATE (YYMMDD) SCALE
14 03 21 N.T.S

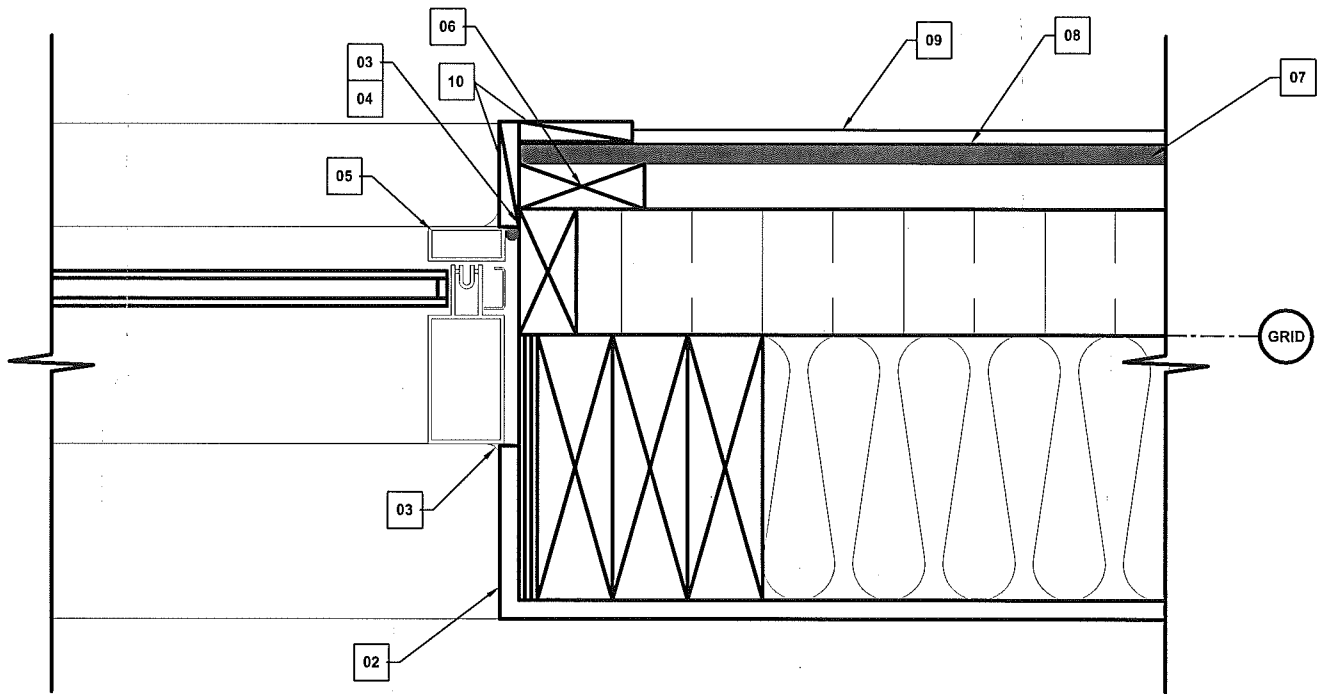
DRAWN BY
RS

CHECKED BY
RS

LOCATION
ISLAND LAKE, MANITOBA

REV.NO

A3.17
JOB NO.
13-168-01-14



KEYNOTES:

- | | |
|--|--|
| <p>01 EXTEND AIR/VAPOUR BARRIER INTO WINDOW FRAME & SECURE WITH ANTI-ROTATION BAR</p> <p>02 CARRY GYPSUM BOARD INTO OPENING</p> <p>03 SEALANT</p> <p>04 FOAM ROD</p> | <p>05 ALUMINUM WINDOW</p> <p>06 38X89 STRAPPING</p> <p>07 13 PLYWOOD</p> <p>08 AIR BARRIER</p> <p>09 ENGINEERED SIDING</p> <p>10 ENGINEERED TRIM BOARD</p> |
|--|--|



ENGINEERING AND DRAFTING
 1348 MAIN STREET, WINNIPEG, MANITOBA Tel: (204) 943-7222 Fax: (204) 947-0717

PROJECT TITLE
 ISLAND LAKE FACILITY BUILDING

SHEET TITLE
 WINDOW JAMB

DATE (YY MM DD)
 14 03 21

SCALE
 N.T.S

DRAWN BY
 RS

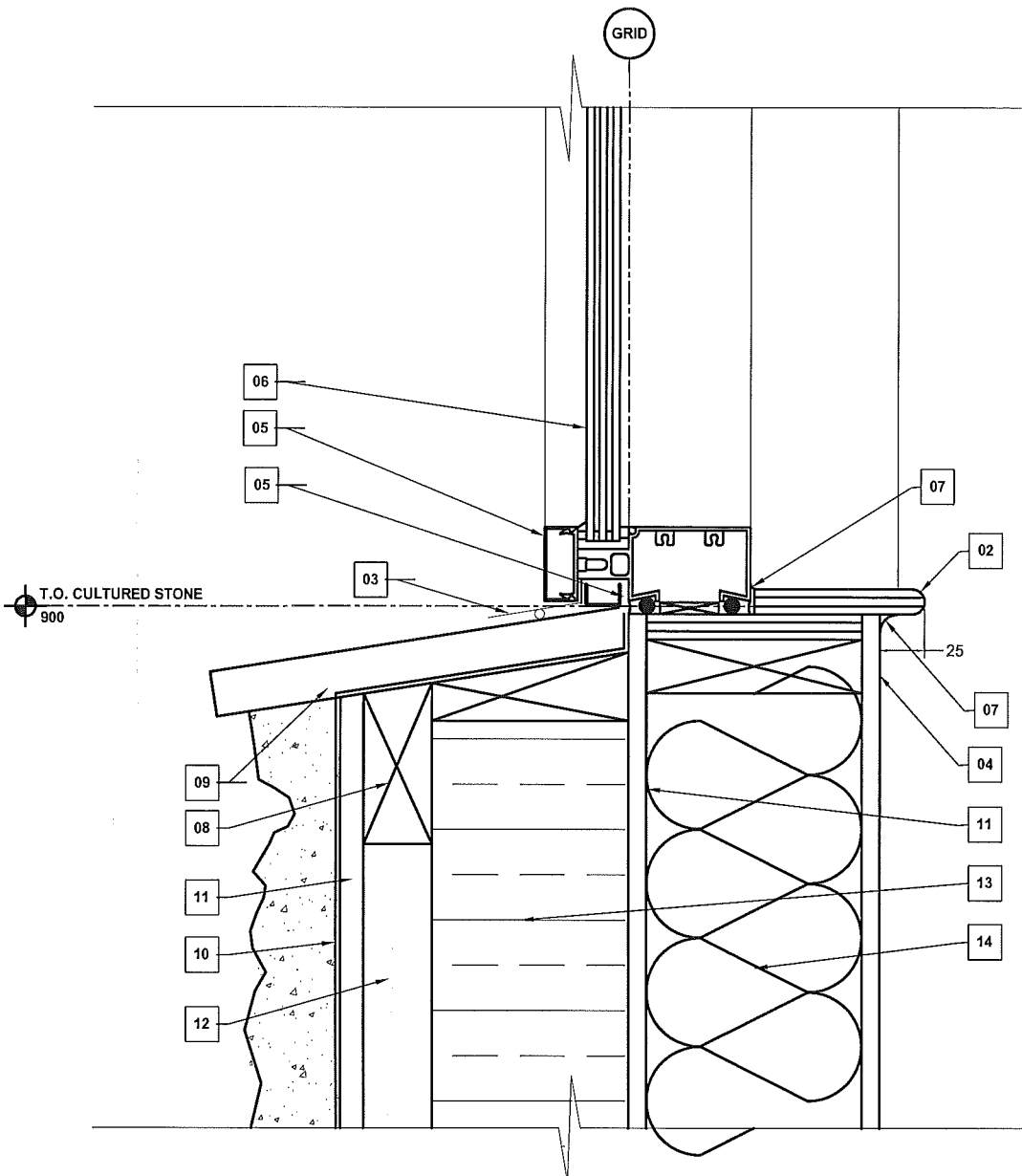
CHECKED BY
 RS

LOCATION
 ISLAND LAKE, MANITOBA

REV.NO

A3.19

JOB NO.
 13-168-01-14



KEYNOTES:

- | | | | | | |
|----|---|----|---------------------------------|----|----------------------|
| 01 | EXTEND AIR/VAPOUR BARRIER INTO WINDOW FRAME & SECURE WITH ANTI-ROTATION BAR | 05 | ALUMINUM WINDOW FRAME | 10 | AIR BARRIER |
| 02 | PAINTED MDF SILL C/W BULLNOSE EDGE | 06 | SEALED TRIPLE GLAZED GLASS UNIT | 11 | 13 PLYWOOD |
| 03 | PREFINISHED SHEET METAL FLASHING AND CLIP | 07 | SEALANT | 12 | 38 X 89 STRAPPING |
| 04 | MILCOR EDGE TO GYPSUM BOARD | 08 | BLOCKING | 13 | 100 RIGID INSULATION |
| | | 09 | ONE PIECE CULTURED STONE SILL | 14 | BATT INSULATION |



PROJECT TITLE
ISLAND LAKE FACILITY BUILDING

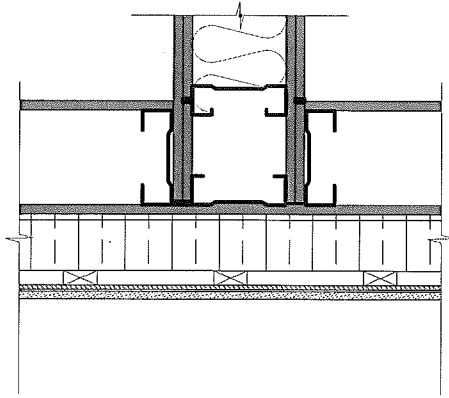
SHEET TITLE
WINDOW SILL AT STONE VENEER

DATE (YY/MM/DD) SCALE DRAWN BY CHECKED BY
 14 03 21 N.T.S RS RS

LOCATION
 ISLAND LAKE, MANITOBA

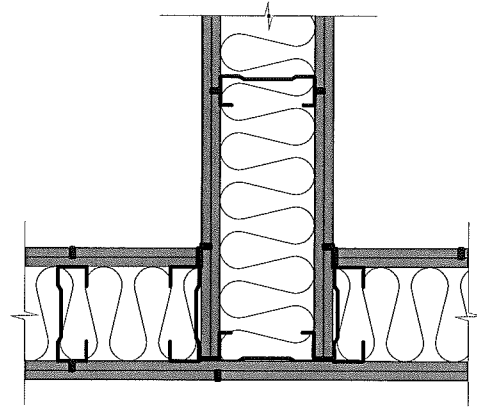
REV.NO

A3.21
 JOB NO.
13-168-01-14



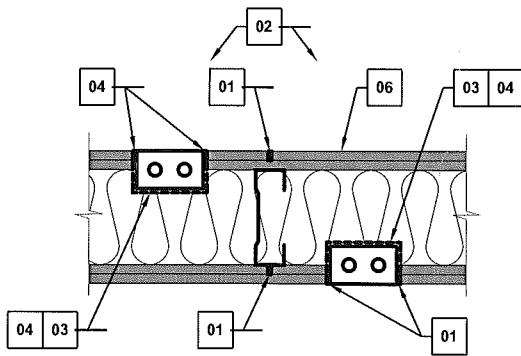
RATED ACOUSTIC PARTITION @ EXTERIOR WALL

SCALE: N.T.S



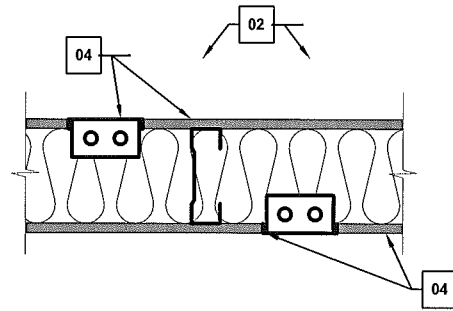
RATED ACOUSTIC INTERIOR 'T' CONNECTION

SCALE: N.T.S



PLUG-INS WITHIN RATED ACOUSTIC PARTITION

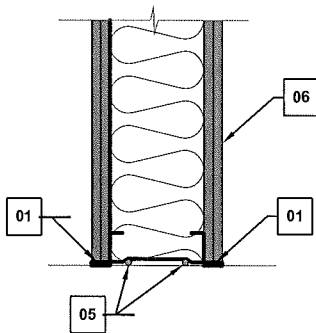
SCALE: N.T.S



PLUG-INS WITHIN NON-RATED ACOUSTIC PARTITION

SCALE: N.T.S

GENERAL NOTES:
 USE RESILIENT PIPE ATTACHMENTS FOR PLUMBING. DO NOT
 CONNECT OPPOSING LAYERS OF DRYWALL.



ACOUSTIC PARTITION CONNECTION

SCALE: N.T.S

STC 50 AND 53 RATED WALL ASSEMBLY BASED ON
 NATIONAL BUILDING CODE DESIGN #W6e AND W9c

KEYNOTES:

- 01 APPLY NON-HARDENING ACOUSTIC SEALANT TO PERIMETER OF EACH SHEET OF GYPSUM BOARD AND ANY WALL CONNECTIONS.
- 02 OFFSET ALL ELECTRICAL OUTLETS FROM ONE ANOTHER (EVEN IN UN-RATED PARTITIONS)
- 03 APPLY FLEXIBLE ACOUSTIC SHEETING TO BACK OF PLUG-IN BOX, SEAL AGAINST GYPSUM BOARD AND CONDUIT
- 04 APPLY SEALANT TO ANY PENETRATION THROUGH MEMBRANE AND/OR AROUND PLUG-IN BOX.
- 05 PLACE METAL STUD ON TWO BEADS OF ACOUSTIC SEALANT.
- 06 STAGGER 2ND LAYER OF GYPSUM BOARD JOINTS



PROJECT TITLE
ISLAND LAKE FACILITY BUILDING

SHEET TITLE
ACOUSTIC PARTITION DETAILS

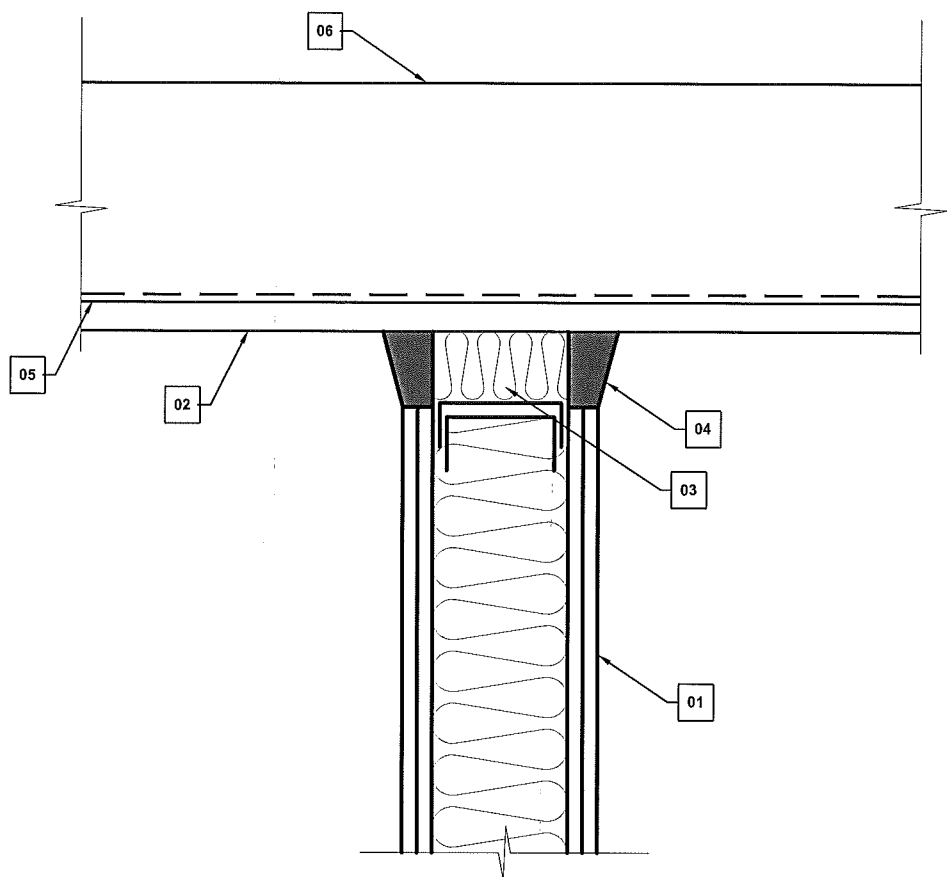
DATE (YY MM DD) SCALE DRAWN BY CHECKED BY
 14 03 21 N.T.S RS RS

LOCATION
 ISLAND LAKE, MANITOBA

REV.NO

A4.01

JOB NO.
13-168-01-14



KEYNOTES:

- 01 FOR ACOUSTIC WALL TYPE - SEE PLANS
- 02 16mm F.G. DRYWALL
- 03 ACOUSTIC BATT INSULATION
- 04 ACOUSTIC SEALANT
- 05 6mm AUB
- 06 ROOF TRUSS



PROJECT TITLE

ISLAND LAKE FACILITY BUILDING

SHEET TITLE

ACOUSTIC PARTITION AT U/S OF ROOF DECK

DATE (YY MM DD)
14 03 21

SCALE
N.T.S

DRAWN BY
RS

CHECKED BY
RS

LOCATION

ISLAND LAKE, MANITOBA

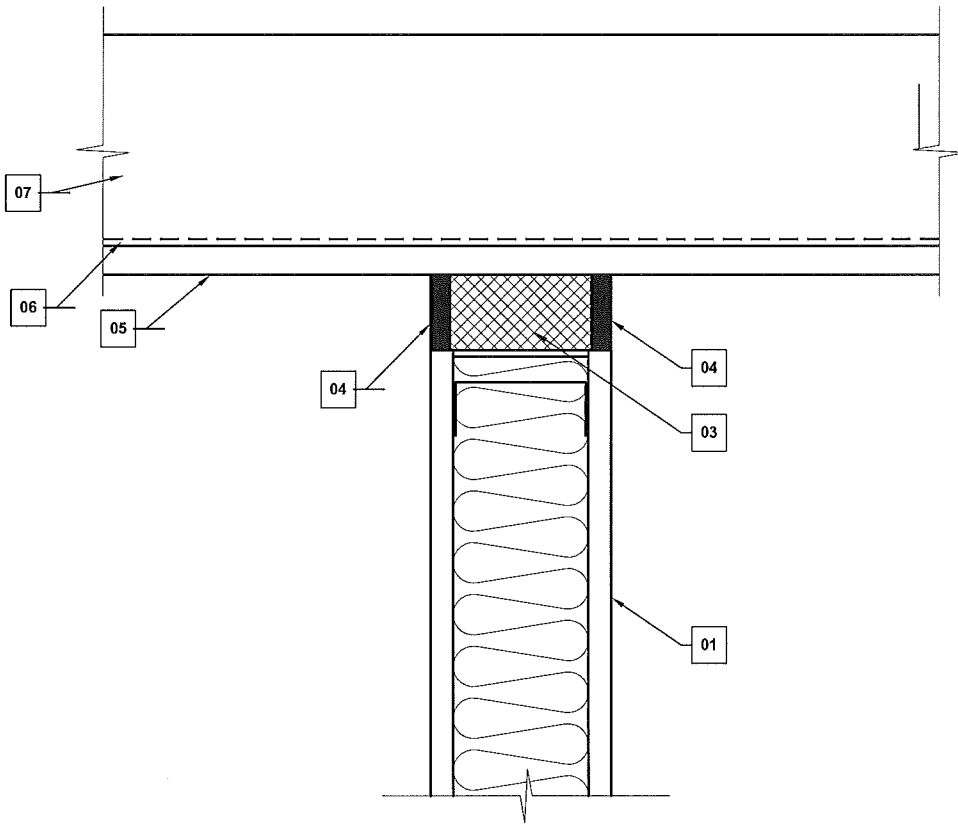
REV.NO

A4.02

JOB NO.

13-168-01-14

ENGINEERING AND DRAFTING
1948 MAIN STREET, WAINFRED, MANITOBA Tel: (204) 943-7222 Fax: (204) 947-5717



KEYNOTES:

- | | |
|---|--|
| <p>01 FOR FIRE RATED WALL TYPE - SEE PLANS</p> <p>02 PLYWOOD ROOF DECK - REFER TO STRUCTURAL</p> <p>03 MINERAL FIBRE INSULATION</p> <p>04 13mm THICK 3M FIRE STOP FB 2000 SEALANT OR HILTI CP 606 SEALANT</p> | <p>05 16mm F.G. DRYWALL</p> <p>06 6mm AUB</p> <p>07 ROOF TRUSS</p> |
|---|--|



ENGINEERING AND DRAFTING
 198 MAIN STREET, WINNIPEG, MANITOBA Tel: (204) 943-7222 Fax: (204) 947-8717

PROJECT TITLE
ISLAND LAKE FACILITY BUILDING

SHEET TITLE
FIRE RATED PARTITION AT U/S OF ROOF DECK

DATE (YY MM DD) SCALE DRAWN BY CHECKED BY
 14 03 21 N.T.S RS RS

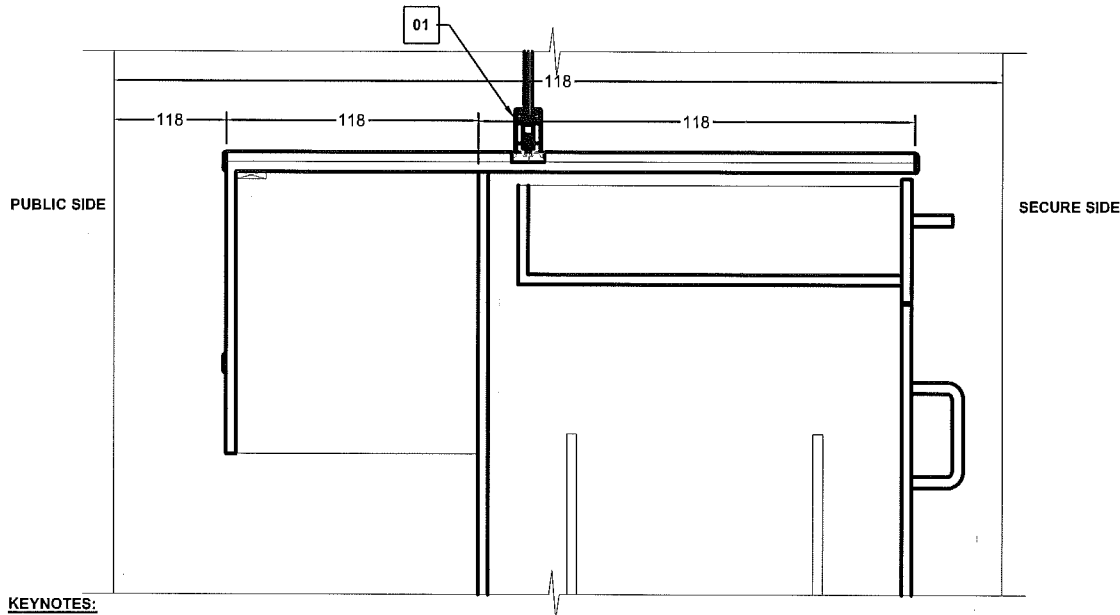
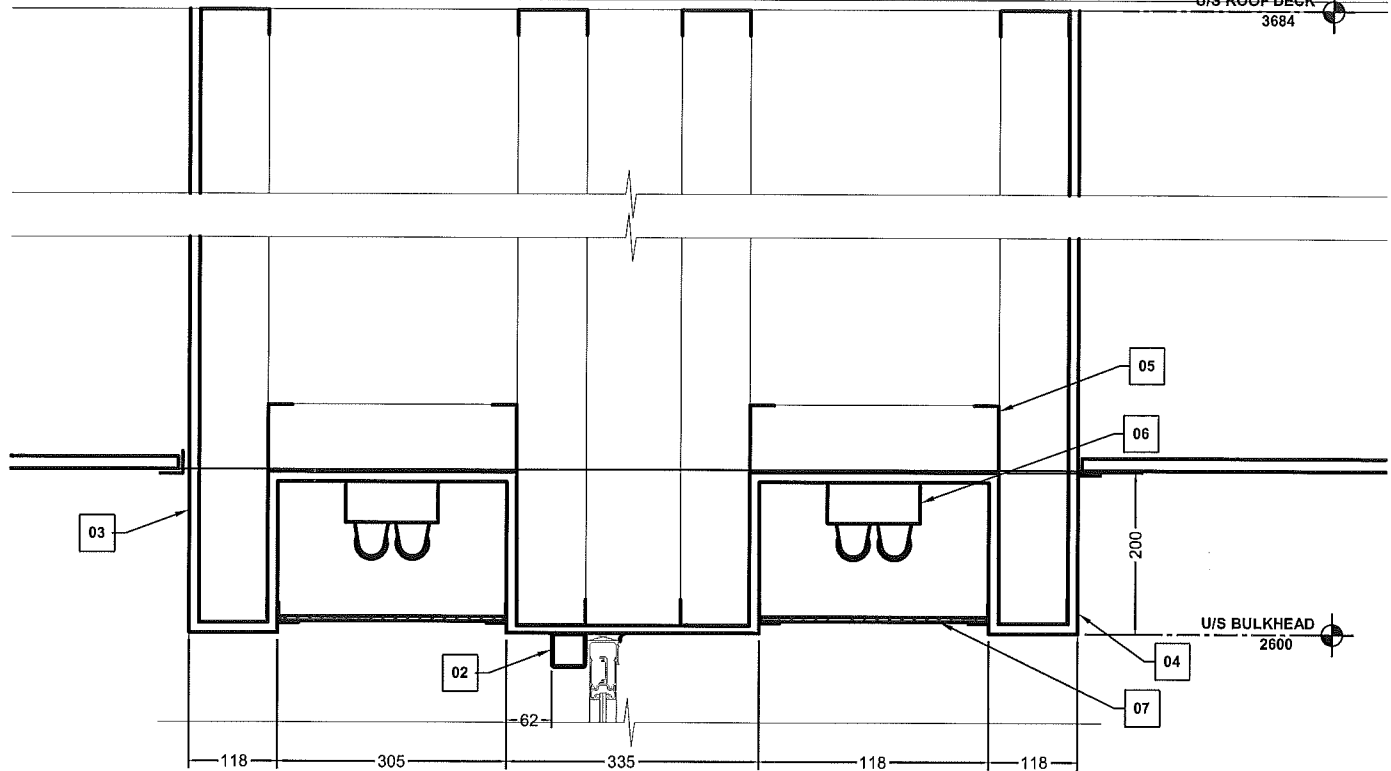
LOCATION
 ISLAND LAKE, MANITOBA

REV.NO

A4.03

JOB NO
13-168-01-14

U/S ROOF DECK
3684



KEYNOTES:

- | | |
|---|---|
| <p>01 ALUMINUM SLIDING PANEL</p> <p>02 ALUMINUM EXTRUSION, TO CONTINUE ACROSS SLIDER OPENING</p> <p>03 13mm GYPSUM BOARD, CARRIED TO U/S OF ROOF DECK</p> <p>04 13mm GYPSUM BOARD, TO CONTINUE FOR CORRIDOR CEILING</p> | <p>05 92mm STEEL STUD FRAMING @ 400mm O.C. (TYPICAL)</p> <p>06 FLUORESCENT LIGHT FIXTURE</p> <p>07 LAY-IN EGGCRATE LIGHT LENS</p> <p>08 T-BAR CEILING</p> |
|---|---|



PROJECT TITLE
ISLAND LAKE FACILITY BUILDING

SHEET TITLE
RECEPTION COUNTER BULKHEAD

REV.NO

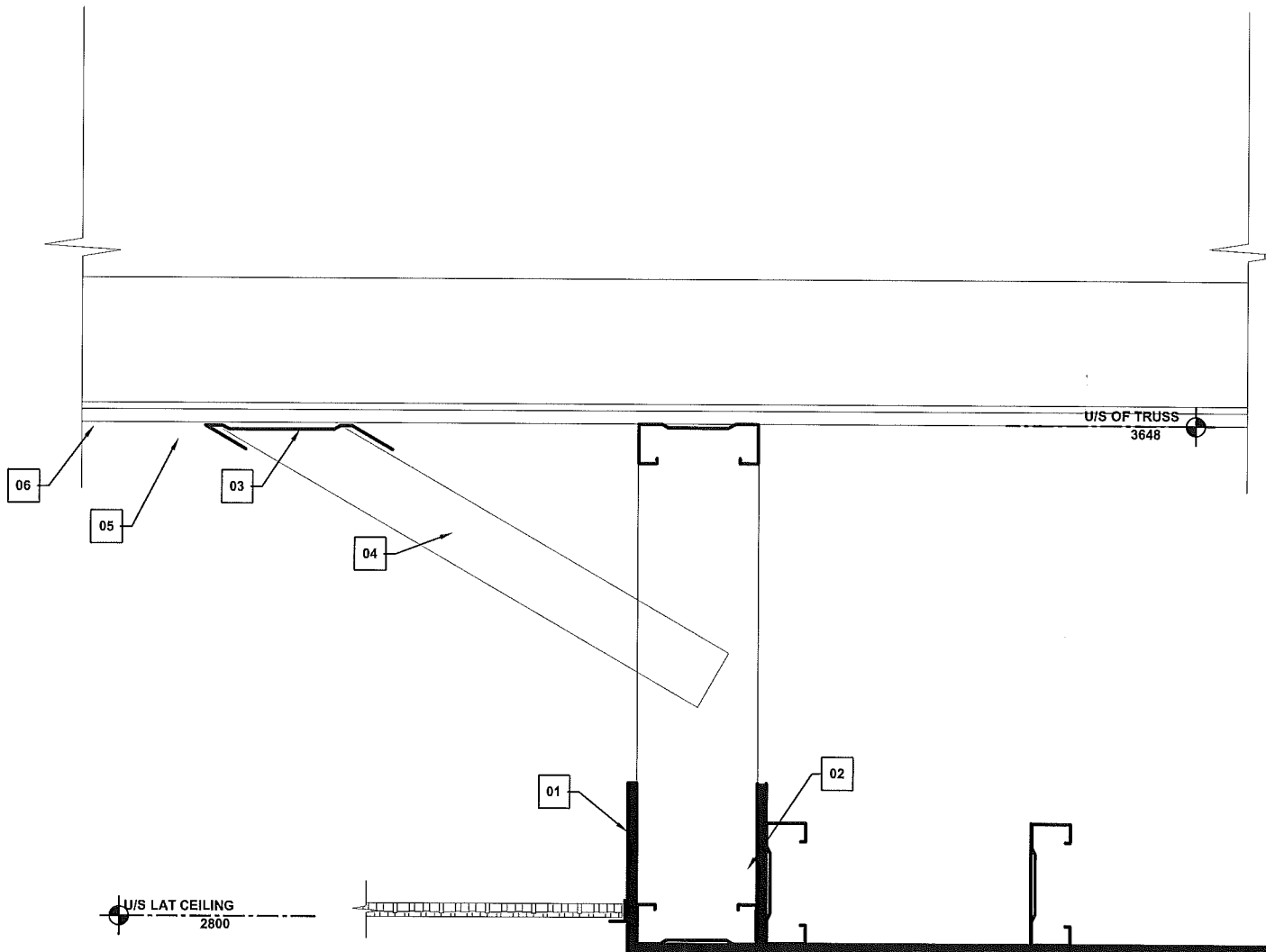
DATE (YY MM DD) SCALE DRAWN BY CHECKED BY
14 03 21 N.T.S RS RS

A5.01

ENGINEERING AND DRAFTING
1949 MAIN STREET, WINNIPEG, MANITOBA Tel: (204) 943-7222 Fax: (204) 947-5717

LOCATION
ISLAND LAKE, MANITOBA

JOB NO.
13-168-01-14



KEYNOTES:

- 01 13mm GYPSUM BOARD
- 02 152mm STEEL STUDS @ 400mm O.C.
- 03 152mm STEEL STUD TRACK, WITH FLANGES BENT
- 04 92mm STEEL STUD BRACING @ 800 O.C. WHEN LENGTH OF BULKHEAD IS OVER 1500mm
- 05 16mm DRYWALL
- 06 6mm AVB



ENGINEERING AND DRAFTING
 1948 MAIN STREET, WINNIPEG, MANITOBA Tel: (204) 943-7222 Fax: (204) 947-5717

PROJECT TITLE
ISLAND LAKE FACILITY BUILDING

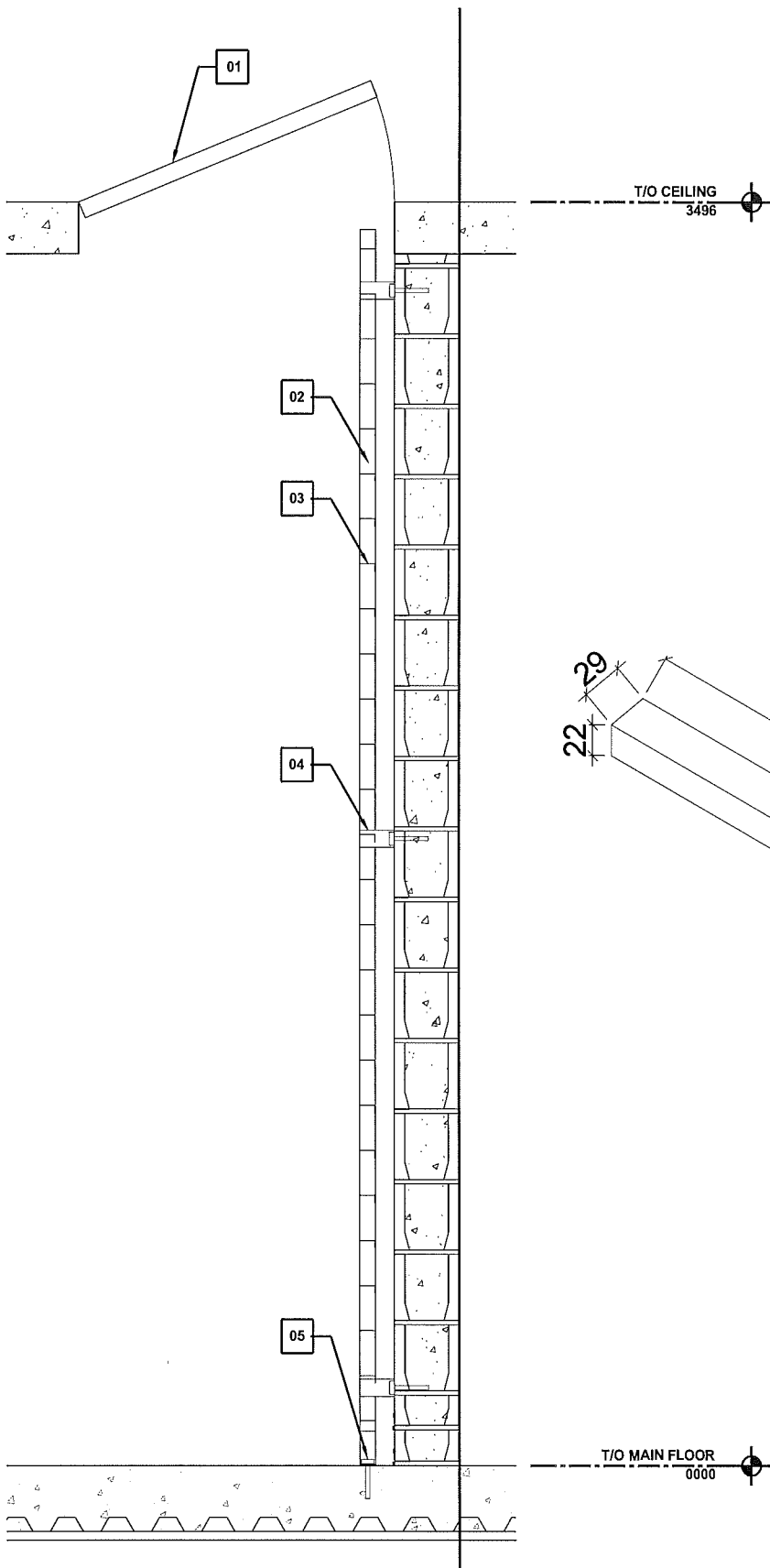
SHEET TITLE
BULKHEAD TRANSITION

DATE (YY MM DD) SCALE DRAWN BY CHECKED BY
 14 03 21 N.T.S RS RS

LOCATION
 ISLAND LAKE, MANITOBA

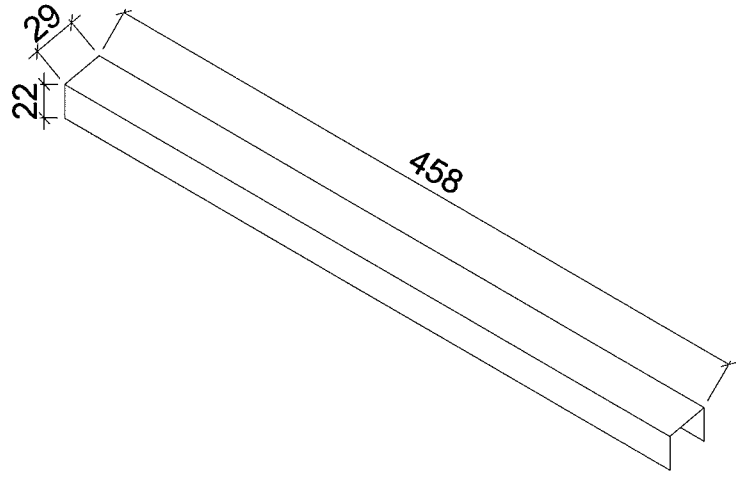
REV.NO
A5.02

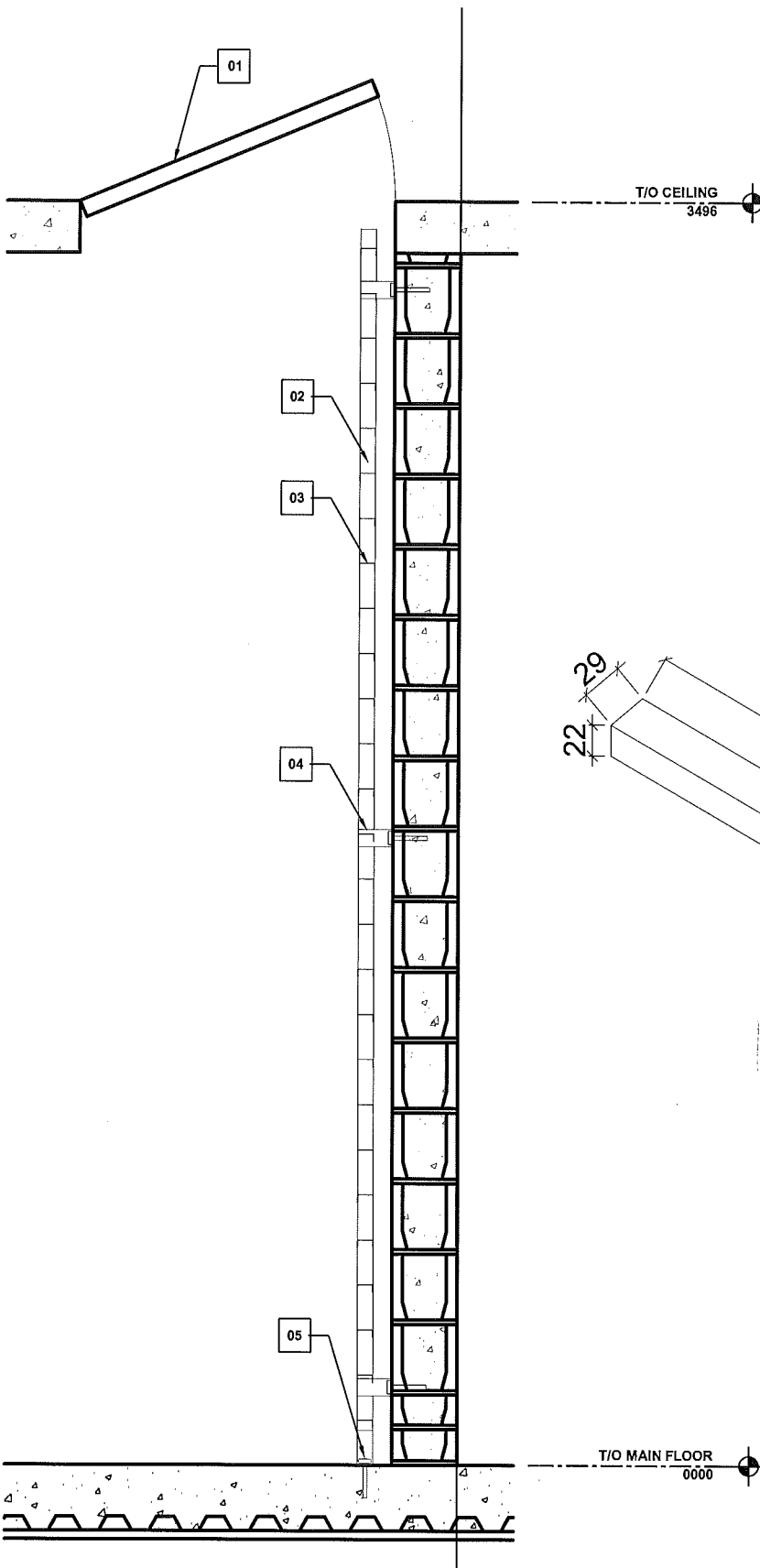
JOB NO.
 13-168-01-14



KEYNOTES:

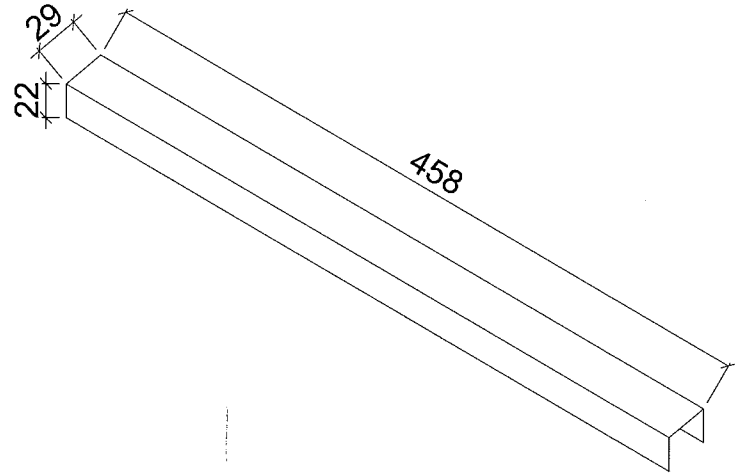
- 01 ATTIC HATCH
- 02 STEEL STRINGER W/ STIFFENERS @ MAX. 1200mm O/C
- 03 45mm X 458mm X 22mm DIAMOND PLATE TREAD
- 04 WALL MOUNTED BRACKETS W/ 50mmØ X 127mm ANCHOR BOLT
- 05 FLOOR MOUNTED FOOT PADS W/ 50mmØ X 127mm ANCHOR BOLT





KEYNOTES:

- 01 ATTIC HATCH 1 HOUR RATED
- 02 STEEL STRINGER W/ STIFFENERS @ MAX. 1200mm O/C
- 03 45mm X 458mm X 22mm DIAMOND PLATE TREAD
- 04 WALL MOUNTED BRACKETS W/ 50mmØ X 127mm ANCHOR BOLT
- 05 FLOOR MOUNTED FOOT PADS W/ 50mmØ X 127mm ANCHOR BOLT



T/O MAIN FLOOR
0000

T/O CEILING
3496



PROJECT TITLE
ISLAND.LAKE.FACILITY.BUILDING

SHEET TITLE
LADDER TO ROOF HATCH

DATE: (YYMMDD) 14 03 21 SCALE: N.T.S. DRAWN BY: RS CHECKED BY: RS

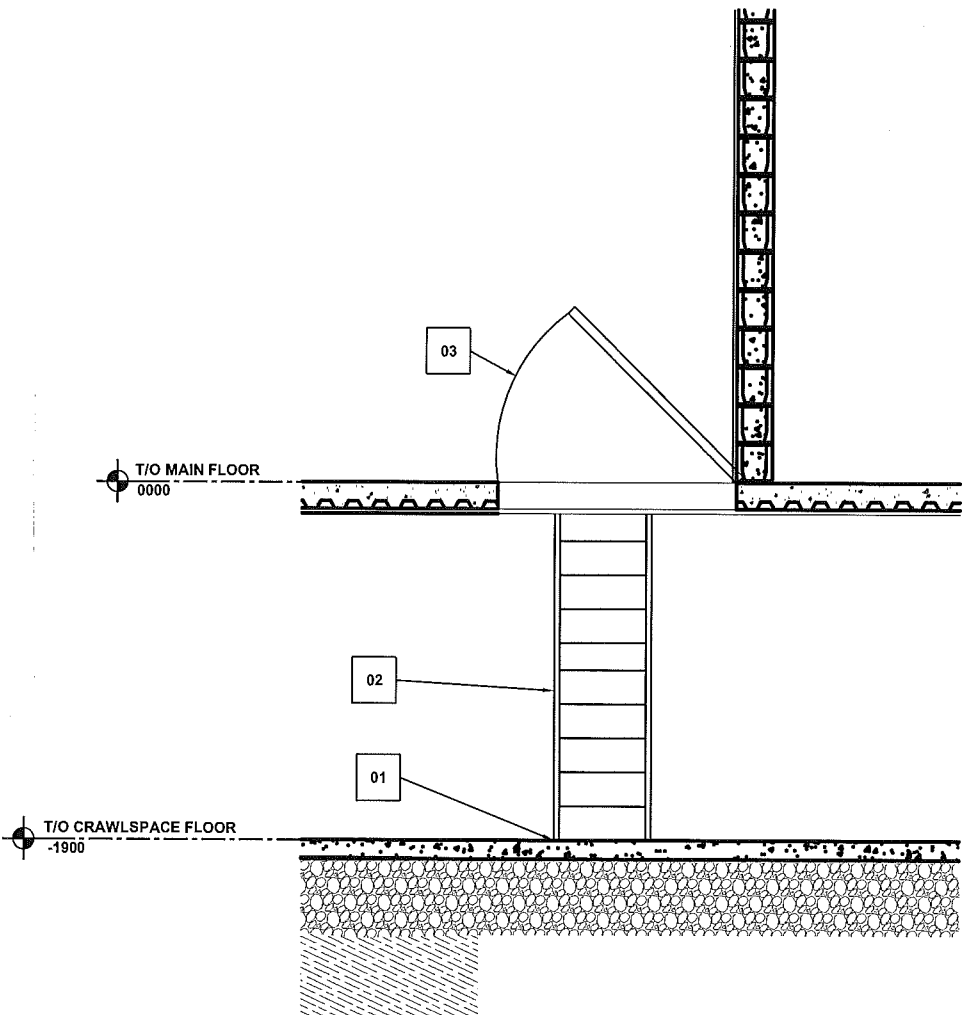
LOCATION
ISLAND LAKE, MANITOBA

REV.NO

A6.01

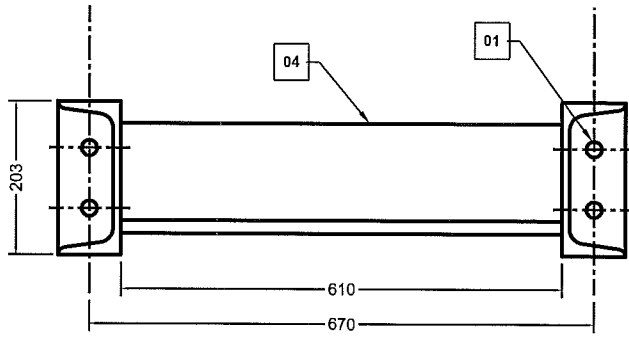
JOB NO.
13-168-01-14

THIS DRAWING MUST NOT BE SCALED.
 THE GENERAL CONTRACTOR SHALL VERIFY ALL DIMENSIONS, LATINGS AND TOLERANCES PRIOR TO CONSTRUCTION AND BE RESPONSIBLE FOR REPORTING ANY DISCREPANCIES OR OMISSIONS TO CAN-TEC ENGINEERING AND DRAFTING. THIS DRAWING IS THE EXCLUSIVE PROPERTY OF CAN-TEC SERVICES LTD. AND CAN BE REPRODUCED OR TRANSMITTED IN ANY FORM OR BY ANY MEANS, WITHOUT PERMISSION IN WRITING FROM CAN-TEC SERVICES LTD.



KEYNOTES:

- 01 BOX END OF STRINGER, AND BOLT TO FLOOR
- 02 C200 X 21 STEEL STRINGER W/ STIFFENERS @ MAX 1200mm O.C.
- 03 1 HOUR RATED FLOOR HATCH
- 04 152mm DEEP STEEL GRATE STEP



PROJECT TITLE
ISLAND.LAKE.FACILITY.BUILDING

SHEET TITLE
LADDER TO CRAWLSPACE

DATE (YY MM DD) SCALE DRAWN BY CHECKED BY
14 03 21 N.T.S RS RS

LOCATION
ISLAND LAKE, MANITOBA

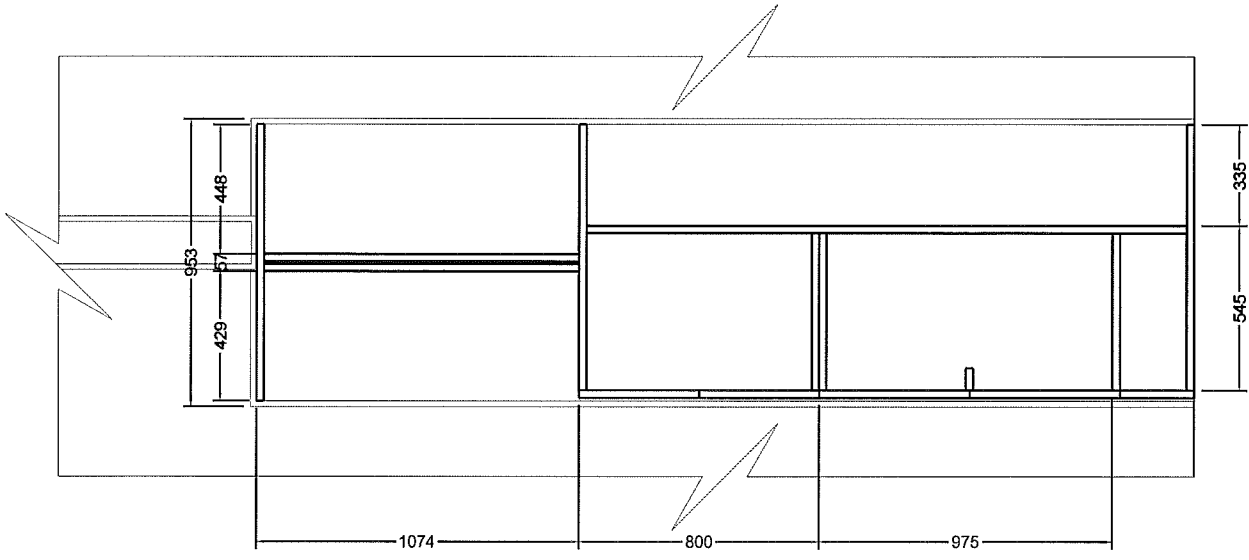
REV.NO

A6.02

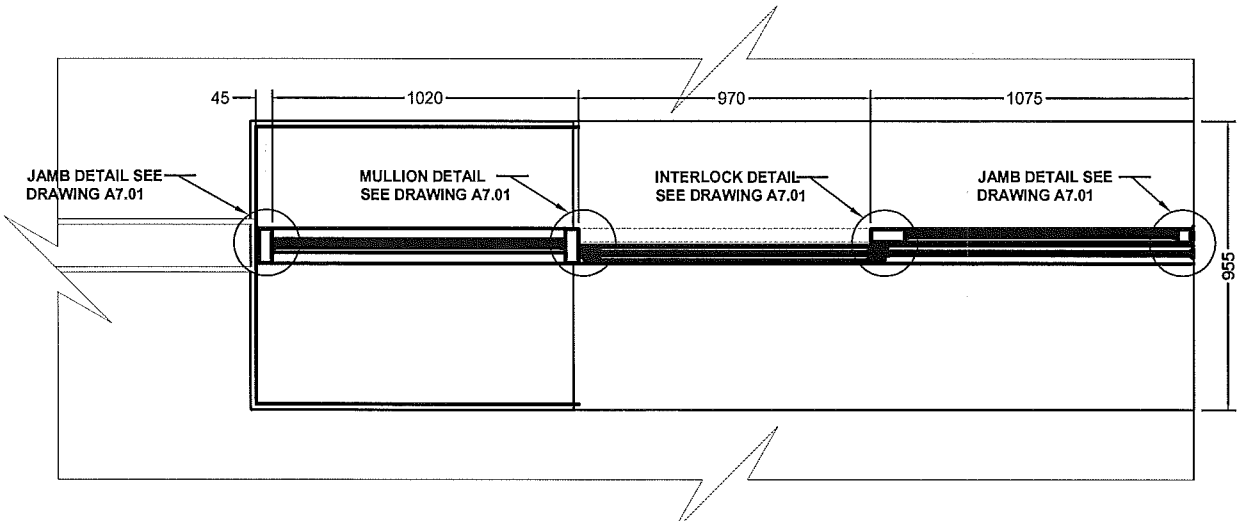
JOB NO.
13-168-01-14

THIS DRAWING MUST NOT BE REPRODUCED OR TRANSMITTED IN ANY FORM OR BY ANY MEANS, ELECTRONIC OR MECHANICAL, INCLUDING PHOTOCOPYING, RECORDING, OR BY ANY INFORMATION STORAGE AND RETRIEVAL SYSTEM, WITHOUT THE WRITTEN PERMISSION OF CANTEC SERVICES LTD. ALL DIMENSIONS, TOLERANCES AND MATERIALS TO BE USED ARE TO BE DETERMINED BY THE ENGINEER RESPONSIBLE FOR THE DESIGN AND CONSTRUCTION OF THE WORK. THE DRAWING IS THE PROPERTY OF CANTEC SERVICES LTD. AND WILL BE REPRODUCED ONLY WITH THE PERMISSION OF CANTEC SERVICES LTD. ANY REPRODUCTION MUST BE AT THE USER'S RISK.

http://www.cantecservices.ca/



RECEPTION COUNTER PLAN THROUGH LOWER CABINETS
SCALE: N.T.S.



RECEPTION COUNTER PLAN
SCALE: N.T.S.



ENGINEERING AND DRAFTING
1945 MAIN STREET, WINNIPEG, MANITOBA Tel: (204) 945-7222 Fax: (204) 947-5717

ISLAND LAKE FACILITY BUILDING

SHEET TITLE
RECEPTION COUNTER PLANS

DATE (YY/MM/DD)
14 03 21

SCALE
N.T.S.

DRAWN BY
RS

CHECKED BY
RS

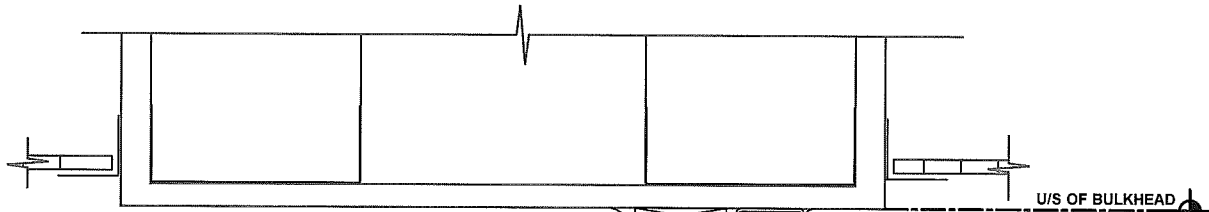
LOCATION
ISLAND LAKE, MANITOBA

REV. NO

A7.00

JOB NO
13-168-01-14

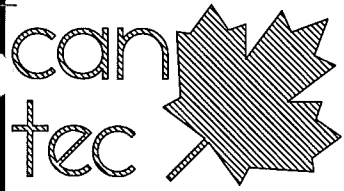
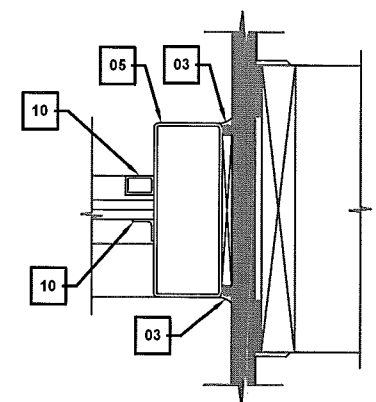
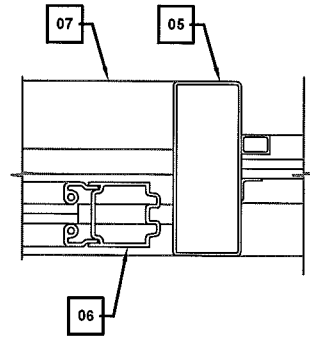
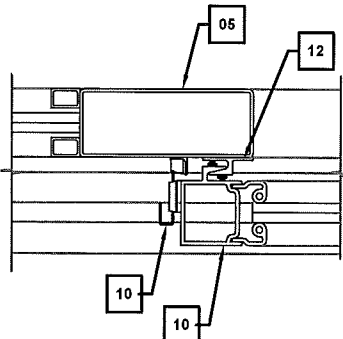
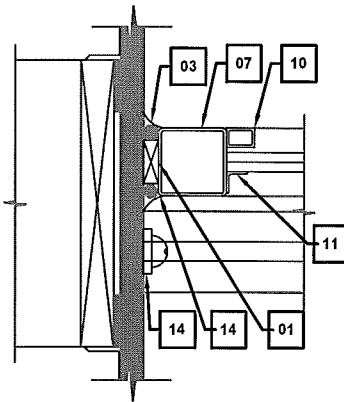
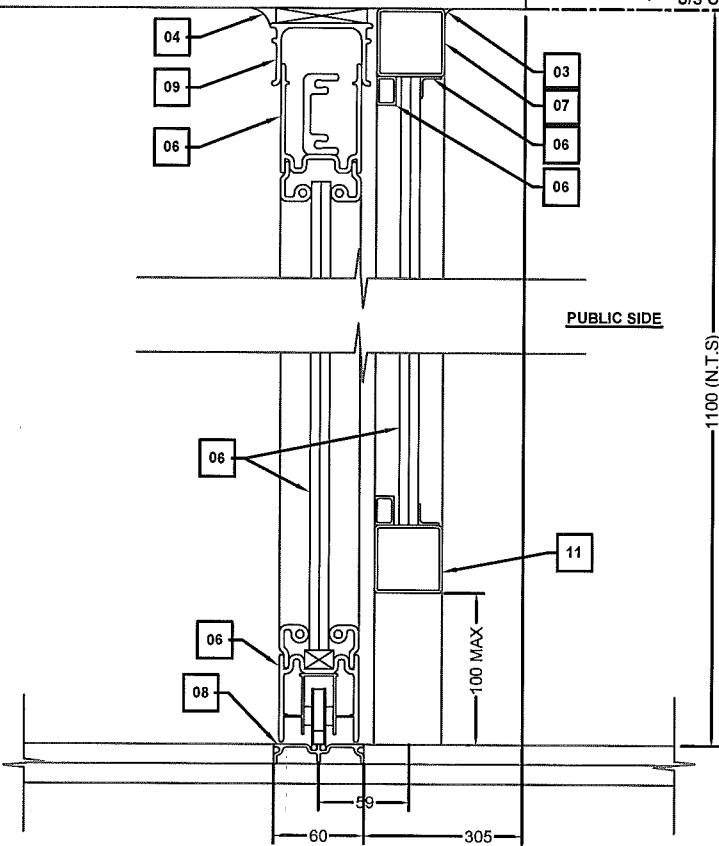
THIS DRAWING MUST NOT BE REPRODUCED, COPIED, OR TRANSMITTED IN ANY FORM OR BY ANY MEANS, ELECTRONIC OR MECHANICAL, INCLUDING PHOTOCOPYING, RECORDING, OR BY ANY INFORMATION STORAGE AND RETRIEVAL SYSTEM, WITHOUT THE WRITTEN PERMISSION OF CANTEC SERVICES LTD. MANITOBA. THIS DRAWING IS THE EXCLUSIVE PROPERTY OF CANTEC SERVICES LTD. AND WILL BE FORWARDED TO THE CLIENT FOR THEIR USE ONLY. IT IS NOT TO BE REPRODUCED OR TRANSMITTED IN ANY FORM OR BY ANY MEANS, ELECTRONIC OR MECHANICAL, INCLUDING PHOTOCOPYING, RECORDING, OR BY ANY INFORMATION STORAGE AND RETRIEVAL SYSTEM, WITHOUT THE WRITTEN PERMISSION OF CANTEC SERVICES LTD. MANITOBA.



U/S OF BULKHEAD
103 000

KEYNOTES:

- 01 WOOD SHIMS
- 02 19mm PLYWOOD BLOCKING BETWEEN STUDS, FULL HEIGHT OF FRAME
- 03 APPLY SEALANT OVER FOAM ROD, AROUND PERIMETER OF FRAMES, BOTH SIDES
- 04 12.75mm LAMINATED TEMPERED SAFETY GLASS
- 05 ALUMINUM EXTRUSION (KAWNEER 115 X 45 TUBE)
- 06 ALUMINUM FRAME (KAWNEER 1010C SLIDING PANEL)
- 07 ALUMINUM EXTRUSION (KAWNEER 45X45 TUBE) CONTINUED THROUGH OPENING OF SLIDING PANEL
- 08 SLIDING TRACK RECESSED WITHIN TOP LAYER OF PLYWOOD
- 09 FIXED HEAD TRACK OF SLIDING PANEL
- 10 12.7mm X 19mm STOPPER CHANNEL (FASTENED WITH SECURITY SCREWS)
- 11 12.7mm X 12.7mm STOPPER ANGLE (FASTENED WITH SECURITY SCREWS)
- 12 SLIDER STOP ATTACHED TO ALUMINUM EXTRUSION
- 13 SOBINCO TRANSOM LATCH, MODEL 703, MOUNTED 500mm ABOVE COUNTER TOP, WITH RECEIVER ATTACHED TO FRAME
- 14 RUBBER DOOR STOPPER @ 400mm ABOVE COUNTER. ENSURE THUMB LATCH DOES NOT STRIKE WALL



ENGINEERING AND DRAFTING
1948 MAIN STREET, WYMPIEG, MANITOBA Tel: (204) 943-7222 Fax: (204) 947-6717

PROJECT TITLE
ISLAND.LAKE.FACILITY.BUILDING

SHEET TITLE
RECEPTION GLAZING DETAILS

DATE (Y/M/DD) SCALE DRAWN BY CHECKED BY
14 03 21 N.T.S RS RS

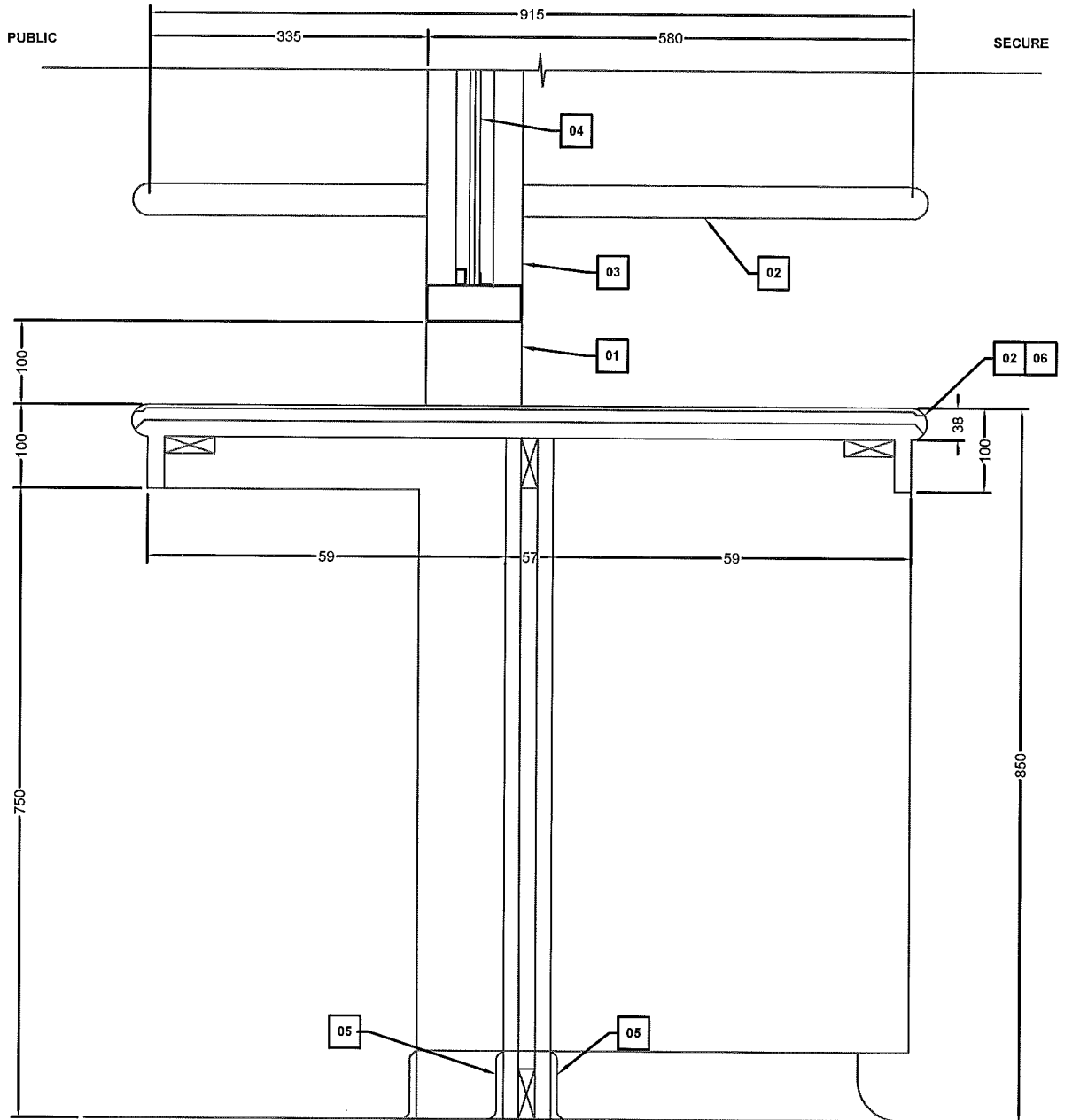
LOCATION
ISLAND LAKE, MANITOBA

REV.NO

A7.01

JOB NO.
13-168-01-14

THIS DRAWING MUST NOT BE REPRODUCED, COPIED, OR TRANSMITTED IN ANY FORM OR BY ANY MEANS, ELECTRONIC OR MECHANICAL, INCLUDING PHOTOCOPYING, RECORDING, OR BY ANY INFORMATION STORAGE AND RETRIEVAL SYSTEM, WITHOUT THE WRITTEN PERMISSION OF THE ENGINEER/DRAWING AUTHOR.



KEYNOTES:

- 01 100mm HIGH OPENING
- 02 19mm RADIUS BULL-NOSED HARDWOOD EDGE
- 03 ALUMINUM EXTRUSION FRAME
- 04 LAMINATED GLASS
- 05 RESILIENT BASE
- 06 CHAMFER END OF HARDWOOD EDGE AT HIGH COUNTER



ENGINEERING AND DRAFTING
1948 MAIN STREET, WINNIPEG, MANITOBA Tel: (204) 943-7222 Fax: (204) 947-5717

PROJECT TITLE
ISLAND.LAKE.FACILITY.BUILDING

SHEET TITLE
RECEPTION COUNTER SECTION - BARRIER FREE

DATE (YY MM DD)
14 03 21

SCALE
N.T.S.

DRAWN BY
RS

CHECKED BY
RS

LOCATION
ISLAND LAKE, MANITOBA

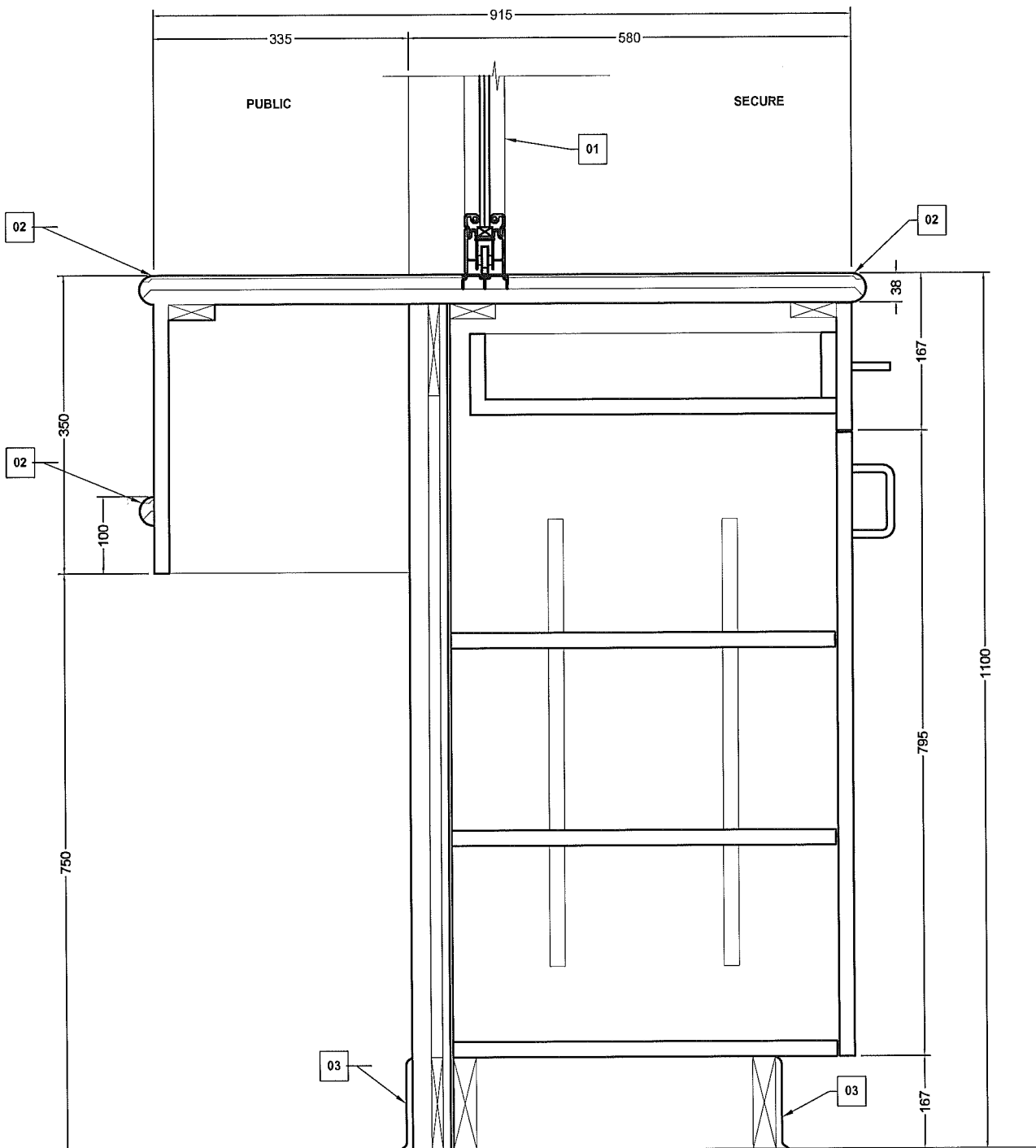
REV.NO

A7.02

JOB NO.
13-168-01-14

THIS DRAWING MUST NOT BE SCALE.
 THE DESIGN OR CONSTRUCTION OF ANY PART OF
 THIS DRAWING IS THE SOLE RESPONSIBILITY OF
 THE ENGINEER AND NOT THE ARCHITECT OR
 DISSEMINATION OF WORK AND IS HELD
 IN CONFIDENCE AND IS NOT TO BE
 REPRODUCED OR TRANSMITTED IN ANY FORM
 OR BY ANY MEANS, ELECTRONIC OR MECHANICAL,
 INCLUDING PHOTOCOPYING, RECORDING, OR BY
 INFORMATION STORAGE AND RETRIEVAL SYSTEMS,
 WITHOUT THE WRITTEN PERMISSION OF THE
 ENGINEER/DRAWING ENGINEER.

<http://www.cantecservices.ca/>



KEYNOTES:

- 01 SLIDING GLASS PANEL
- 02 19mm RADIUS BULL-NOSED HARDWOOD EDGE
- 03 RESILIENT BASE



ENGINEERING AND DRAFTING

1948 MAIN STREET, WINNIPEG, MANITOBA Tel: (204) 943-7222 Fax: (204) 947-8717

PROJECT TITLE
ISLAND LAKE FACILITY BUILDING

SHEET TITLE
RECEPTION COUNTER SECTION

DATE (YY MM DD)
14 03 21

SCALE
N.T.S

DRAWN BY
RS

CHECKED BY
RS

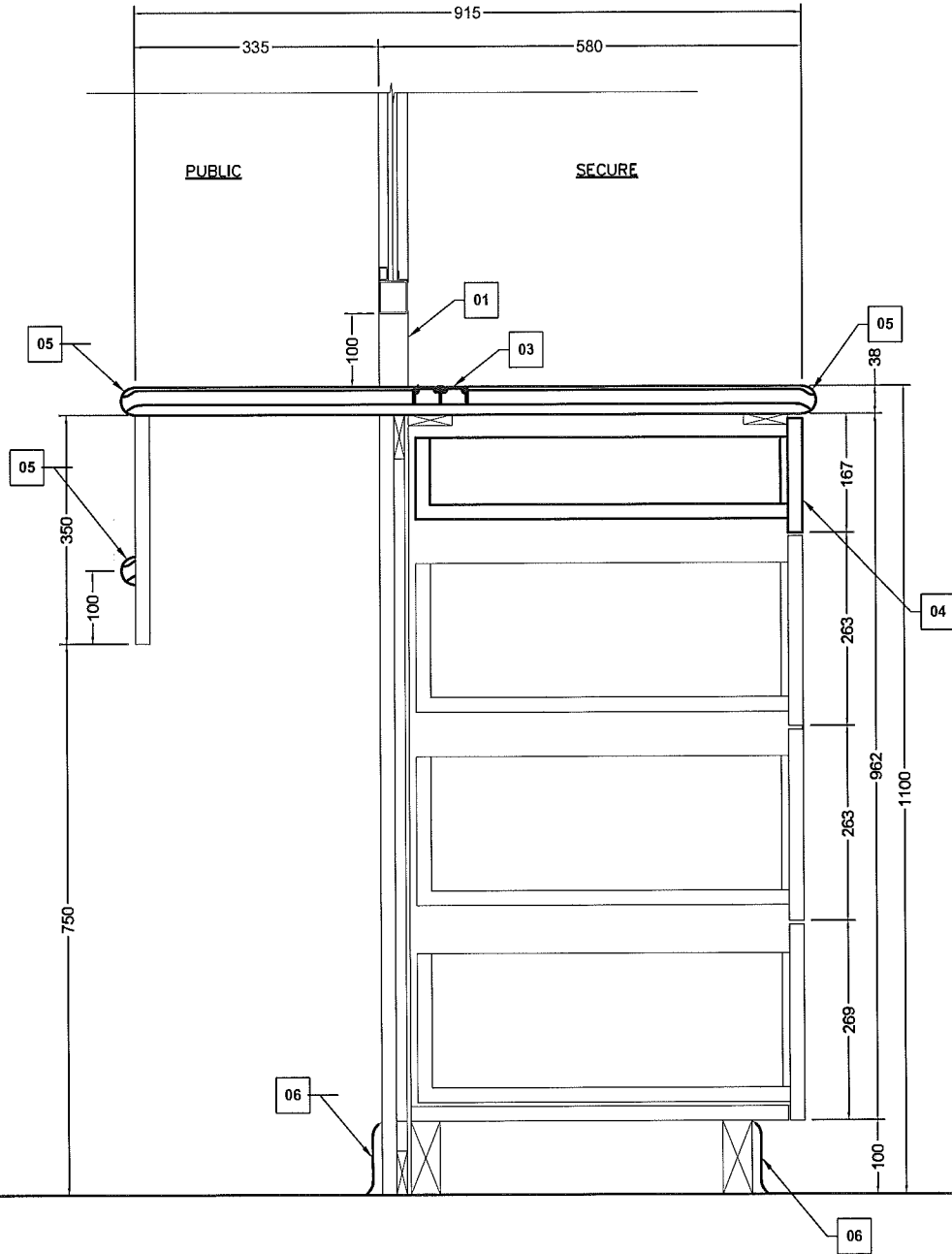
LOCATION
ISLAND LAKE, MANITOBA

REV.NO

A7.03

JOB NO.
13-168-01-14

THIS DRAWING IS THE EXCLUSIVE PROPERTY OF CANTEC SERVICES LTD. MANITOBA. THE CLIENT'S SERVICES WILL BE PROVIDED TO THE CLIENT'S EMPLOYEES ONLY. THE CLIENT'S EMPLOYEES ARE NOT TO BE REPRODUCED OR TRANSMITTED IN ANY FORM OR BY ANY MEANS, ELECTRONIC OR MECHANICAL, INCLUDING PHOTOCOPYING, RECORDING, OR BY ANY INFORMATION STORAGE AND RETRIEVAL SYSTEM, WITHOUT THE WRITTEN PERMISSION OF CANTEC SERVICES LTD. MANITOBA.



KEYNOTES:

- | | |
|---|--|
| <p>01 100mm HIGH PASS-THRU</p> <p>02 LAMINATED GLASS</p> <p>03 TRACK, FOR SLIDING PANEL</p> | <p>04 SUBSTITUTE ONE DRAWER WITH A REMOVABLE FIXED PANEL - REFER TO ELECTRICAL</p> <p>05 19mm RADIUS BULL-NOSED HARDWOOD EDGE</p> <p>06 RESILIENT BASE</p> |
|---|--|



ENGINEERING AND DRAFTING
1948 MAIN STREET, WINNIPEG, MANITOBA Tel: (204) 943-7222 Fax: (204) 947-6717

PROJECT TITLE
ISLAND LAKE FACILITY BUILDING

SHEET TITLE
RECEPTION COUNTER SECTION

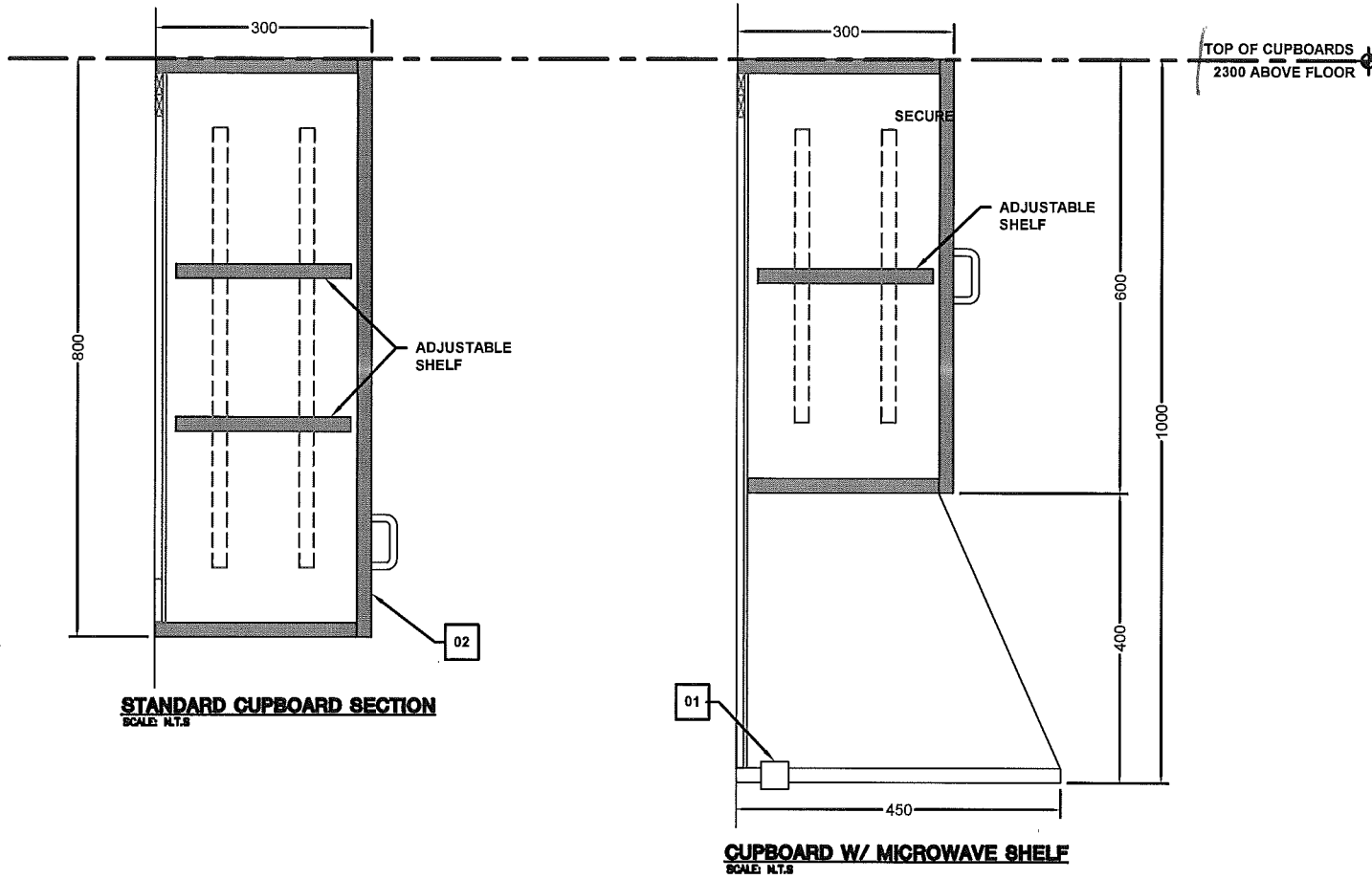
DATE (YYMMDD) 14 03 21 SCALE N.T.S. DRAWN BY RS CHECKED BY RS

LOCATION
ISLAND LAKE, MANITOBA

REV. NO

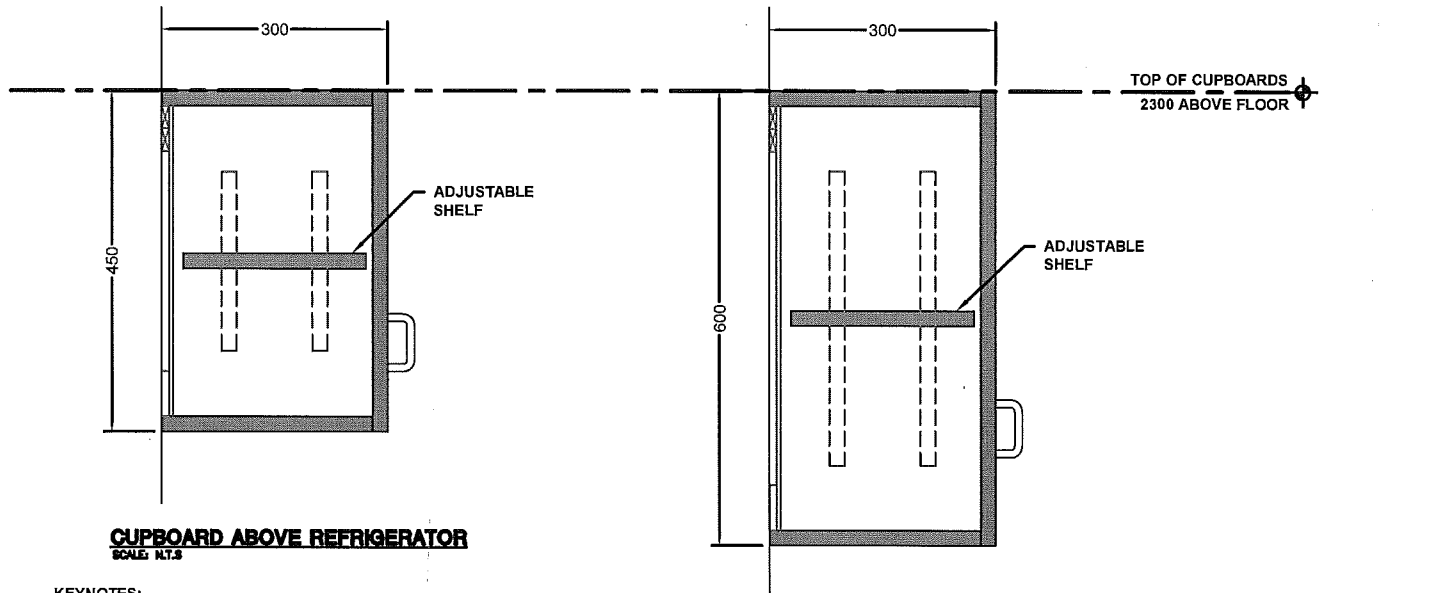
A7.03A
JOB NO.
13-168-01-14

THIS DRAWING MUST NOT BE SCALED.
 THE GENERAL CONTRACTOR SHALL BE RESPONSIBLE FOR OBTAINING ALL NECESSARY PERMITS AND APPROVALS FOR THE WORK SHOWN ON THIS DRAWING.
 THE DRAWING IS THE EXCLUSIVE PROPERTY OF CANTEC SERVICES LTD. AND CAN BE REPRODUCED OR TRANSMITTED IN ANY FORM OR BY ANY MEANS WITHOUT THE WRITTEN PERMISSION OF CANTEC SERVICES LTD. IN THE EVENT OF BREACH OF THIS AGREEMENT, THE USER SHALL BE RESPONSIBLE FOR ALL DAMAGES AND LOSSES SUFFERED BY CANTEC SERVICES LTD.



STANDARD CUPBOARD SECTION
SCALE: N.T.S.

CUPBOARD W/ MICROWAVE SHELF
SCALE: N.T.S.



CUPBOARD ABOVE REFRIGERATOR
SCALE: N.T.S.

CUPBOARD ABOVE PAPER TOWEL DISPENSER
SCALE: N.T.S.

KEYNOTES:

- 01 38mmØ HOLE DRILLED FOR MICROWAVE CHORD TO PASS THROUGH TO PLUG-IN BELOW
- 02 DRAWER LOCK, AS PER INTERIOR ELEVATIONS

can tec
ENGINEERING AND DRAFTING
1948 MAIN STREET, WINNIPEG, MANITOBA Tel: (204) 943-7222 Fax: (204) 947-0717

PROJECT TITLE
ISLAND LAKE FACILITY BUILDING

SHEET TITLE
UPPER CUPBOARDS

DATE (YY MM DD) 14 03 21 SCALE N.T.S. DRAWN BY RS CHECKED BY RS

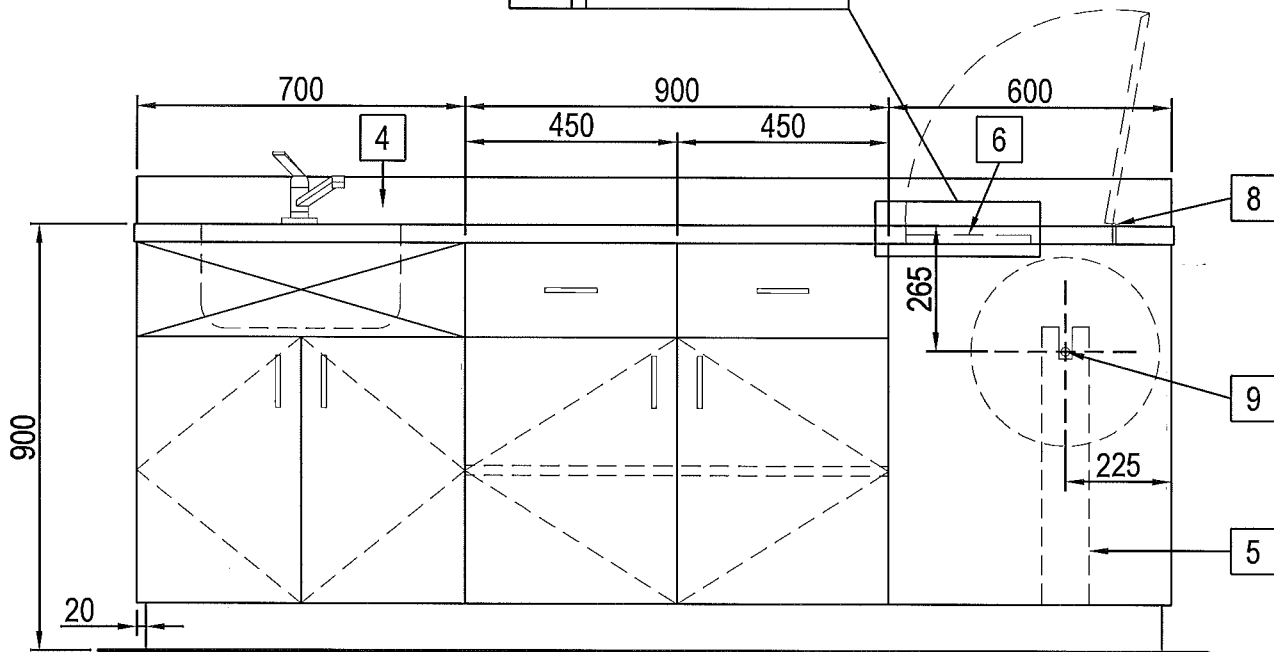
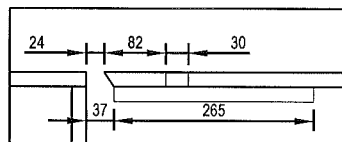
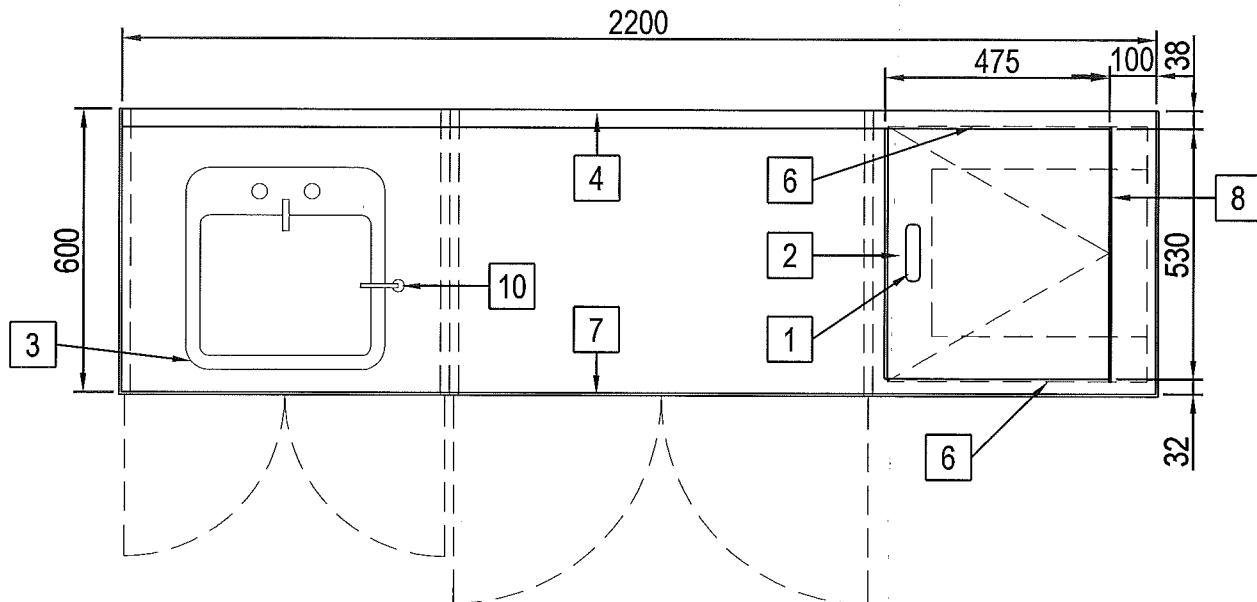
LOCATION
ISLAND LAKE, MANITOBA

REV. NO

A7.04
JOB NO.
13-168-01-14

THIS DRAWING MUST NOT BE SCALE.
 THE GENERAL CONTRACTOR SHALL VERIFY ALL DIMENSIONS, DETAILS AND MATERIALS TO BE USED IN THE WORK SHALL BE RESPONSIBLE FOR OBTAINING ALL NECESSARY PERMITS AND APPROVALS FROM THE APPROPRIATE AUTHORITIES. THE CONTRACTOR SHALL BE RESPONSIBLE FOR OBTAINING ALL NECESSARY PERMITS AND APPROVALS FROM THE APPROPRIATE AUTHORITIES. THE CONTRACTOR SHALL BE RESPONSIBLE FOR OBTAINING ALL NECESSARY PERMITS AND APPROVALS FROM THE APPROPRIATE AUTHORITIES.

<http://www.cantecservices.ca/>



CONSTRUCTION NOTES: CABINET CONSTRUCTION TO BE TYPE 2 - REFER TO SPECIFICATION SECTION ARCHITECTURAL WOOD WORK 06 40 00

KEYNOTES:

- | | | |
|---|---|---------------------------------|
| 1 120mm X 30mm FINGER OPENING-RADIUS & SAND INSIDE FACES | 4 100mm BACKSPLASH | 7 38mm X 6mm PVC EDGE |
| 2 LIFT TOP | 5 2 LAYERS OF 19mm PLYWOOD, 100mm WIDE, CUT SLOT INTO OUTER LAYER FOR PIPE TO BE INSTALLED | 8 CONTINUOUS PIANO HINGE |
| 3 RADIUS CORNER | 6 19mm STOP | 9 19mmØ METAL PIPE |
| | | 10 SD1 - SOAP DISPENSER |



ENGINEERING AND DRAFTING
1941 MAIN STREET, WINNIPEG, MANITOBA Tel: (204) 943-7222 Fax: (204) 947-6717

PROJECT TITLE
ISLAND LAKE FACILITY BUILDING
SHEET TITLE
ROOM 123 - COUNTERS - PLAN & ELEVATION

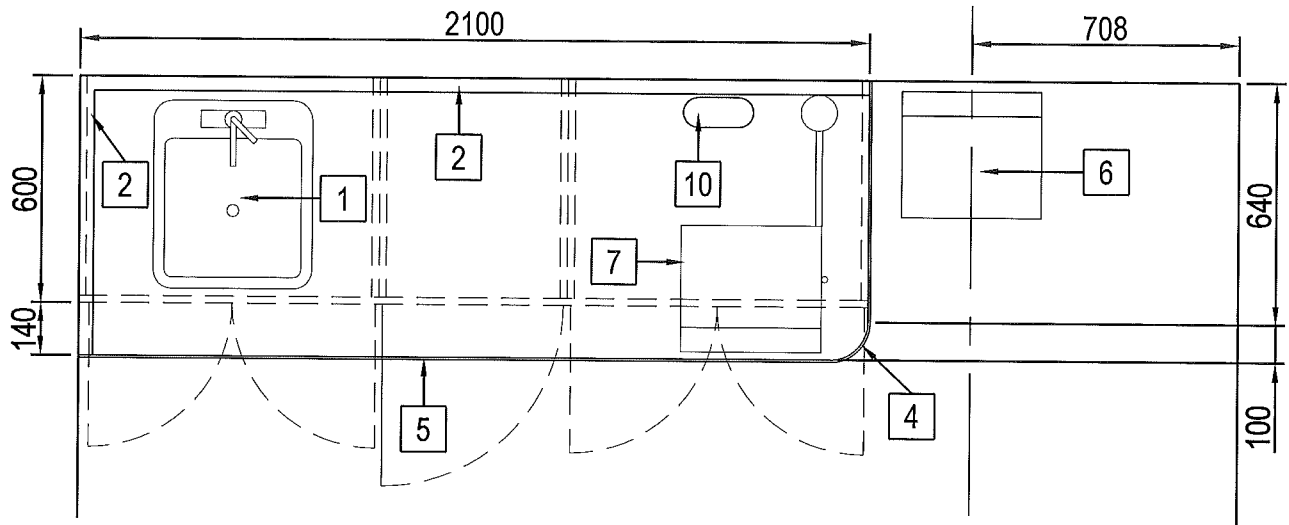
DATE (YY MM DD) 14 03 21 SCALE 1:16 DRAWN BY RS CHECKED BY RS

LOCATION
ISLAND LAKE, MANITOBA, CANADA

PROJECT TITLE
00

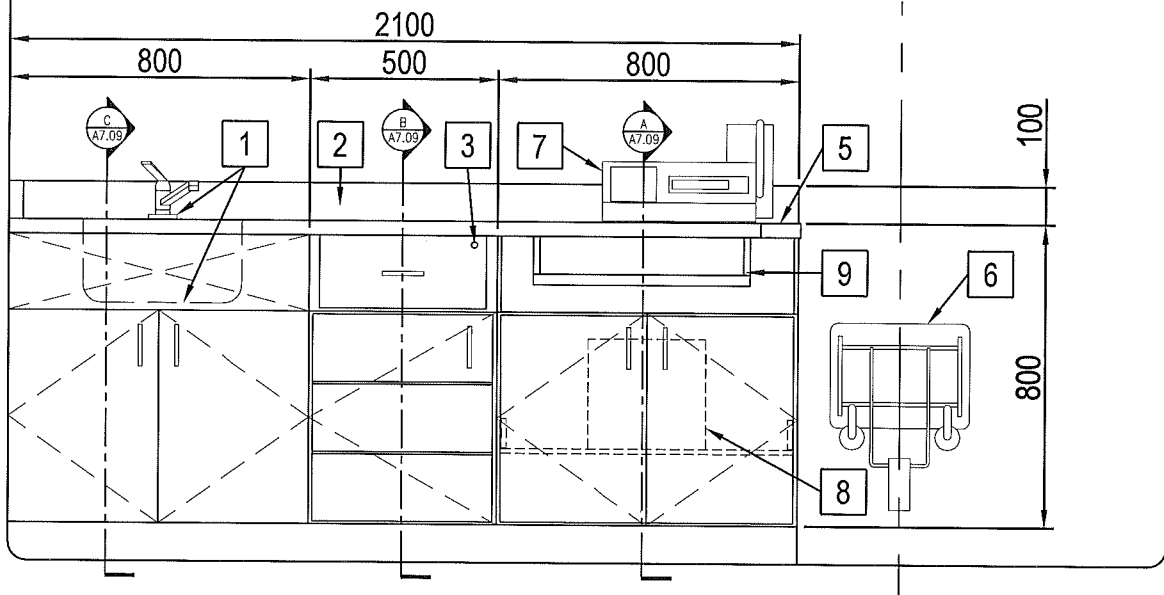
A7.05
JOB NO.
13-168-01-14

THE DRAWING MUST NOT BE REPRODUCED OR TRANSMITTED IN ANY FORM OR BY ANY MEANS, ELECTRONIC OR MECHANICAL, WITHOUT THE WRITTEN PERMISSION OF CANTEC SERVICES LTD. AND/OR ANY OF ITS SUBSIDIARIES. THE DRAWING IS THE PROPERTY OF CANTEC SERVICES LTD. AND/OR ANY OF ITS SUBSIDIARIES. THE DRAWING IS NOT TO BE REPRODUCED OR TRANSMITTED IN ANY FORM OR BY ANY MEANS, ELECTRONIC OR MECHANICAL, WITHOUT THE WRITTEN PERMISSION OF CANTEC SERVICES LTD. AND/OR ANY OF ITS SUBSIDIARIES.



PLAN VIEW

SCALE: 1:20



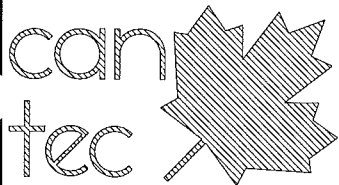
ELEVATION

SCALE: 1:20

CONSTRUCTION NOTES: CABINET CONSTRUCTION TO BE TYPE 2

KEYNOTES:

- | | | |
|--|-------------------------------------|---|
| 1 SINGLE LEVER FAUCET & SINGLE COMPARTMENT SINK | 4 100mm RADIUS OF COUNTERTOP | 7 INTOXIMETER |
| 2 BACKSPLASH | 5 38mm X 6mm PVC EDGE | 8 PRINTER LOCATION |
| 3 LOCKS | 6 FOLD DOWN SEAT | 9 KEYBOARD DRAWER |
| | | 10 GROMMET FOR CABLES TO AVOID KEYBOARD TRAY |



PROJECT TITLE
ISLAND LAKE FACILITY BUILDING
 SHEET TITLE
ROOM 138 - COUNTERS - PLAN & ELEVATION

DATE (YY MM DD) 14 03 21 SCALE 1:20 DRAWN BY RS CHECKED BY RS

LOCATION
 ISLAND LAKE, MANITOBA, CANADA

PROJECT TITLE
 00

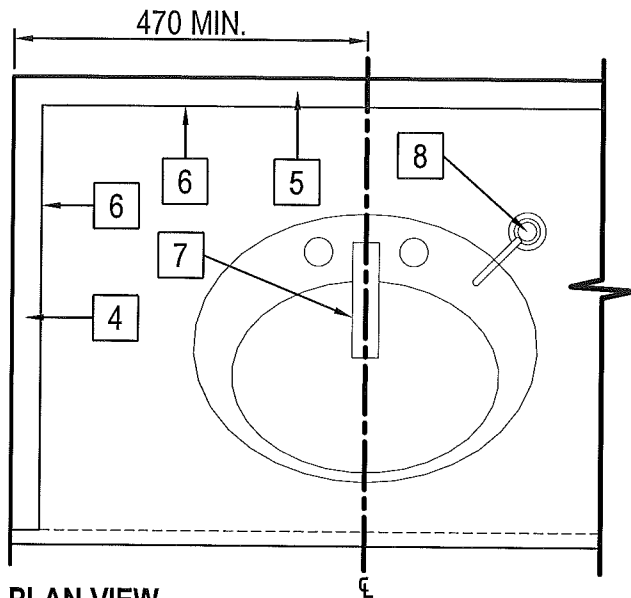
A7.06

JOB NO.
13-168-01-14

THIS DRAWING IS THE PROPERTY OF CAN TEC ENGINEERING AND DRAFTING. IT IS TO BE USED ONLY FOR THE PROJECT AND SITE SPECIFICALLY IDENTIFIED HEREIN. IT IS NOT TO BE REPRODUCED, COPIED, OR TRANSMITTED IN ANY FORM OR BY ANY MEANS, ELECTRONIC OR MECHANICAL, INCLUDING PHOTOCOPYING, RECORDING, OR BY ANY INFORMATION STORAGE AND RETRIEVAL SYSTEM, WITHOUT THE WRITTEN PERMISSION OF CAN TEC ENGINEERING AND DRAFTING. THE GENERAL CONTRACTOR SHALL VERIFY ALL DIMENSIONS, MATERIALS AND DETAILS SHOWN TO BE RESPONSIBLE FOR OBTAINING ALL NECESSARY PERMITS AND APPROVALS FROM THE APPROPRIATE AUTHORITIES. THE CONTRACTOR SHALL BE RESPONSIBLE FOR OBTAINING ALL NECESSARY PERMITS AND APPROVALS FROM THE APPROPRIATE AUTHORITIES. THE CONTRACTOR SHALL BE RESPONSIBLE FOR OBTAINING ALL NECESSARY PERMITS AND APPROVALS FROM THE APPROPRIATE AUTHORITIES.

1940 MAIN STREET, WINNIPEG, MANITOBA Tel: (204) 943-7222 Fax: (204) 947-8717

<http://www.can-tec-engineering.ca/>



PLAN VIEW

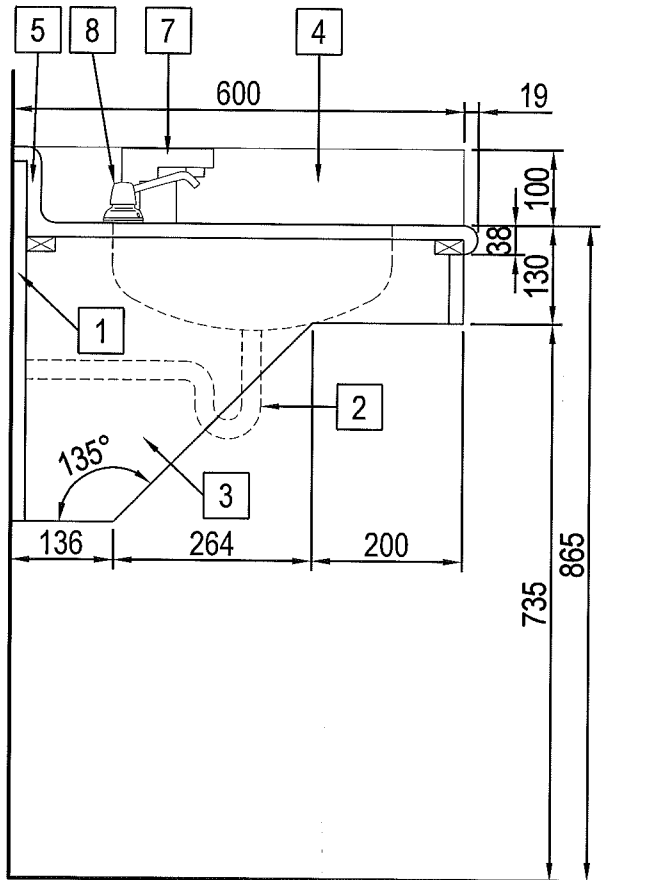
SCALE: 1:10

CONSTRUCTION NOTES:

- COUNTER CONSTRUCTION TO BE TYPE 1
- ALL EXPOSED OR SEMI-EXPOSED SURFACES TO HAVE PLASTIC LAMINATE FINISH AS SPECIFIED
- CO-ORDINATE PLASTIC LAMINATE COLOUR WITH CONSULTANT

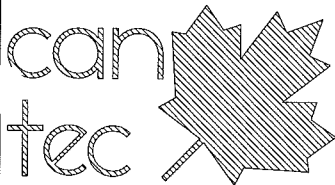
KEYNOTES:

- 1** LAG BOLTS 75mm X 19mm CLEAT TO WALL USING 2-10mmØ X 75mm
- 2** INSULATED DRAIN
- 3** GUSSETS @ MAX. 1200mm O.C. & EACH END OF VANITY
- 4** 100mm SIDESPLASH @ CORNER LOCATIONS
- 5** 100mm BACKSPASH
- 6** SEALANT @ PERIMETER & JOISTS
- 7** FAUCET & SINK
- 8** COUNTER TOP SOAP DISPENSER (UNLESS OTHERWISE NOTED)



SECTION

SCALE: 1:10



1948 MAIN STREET, WINNIPEG, MANITOBA TEL: (204) 943-7222 FAX: (204) 947-6717

PROJECT TITLE
ISLAND LAKE FACILITY BUILDING

SHEET TITLE
TYPICAL - WASHROOM VANITY DETAIL

DATE (YY MM DD)
14 03 21

SCALE
1:10

DRAWN BY
RS

CHECKED BY
RS

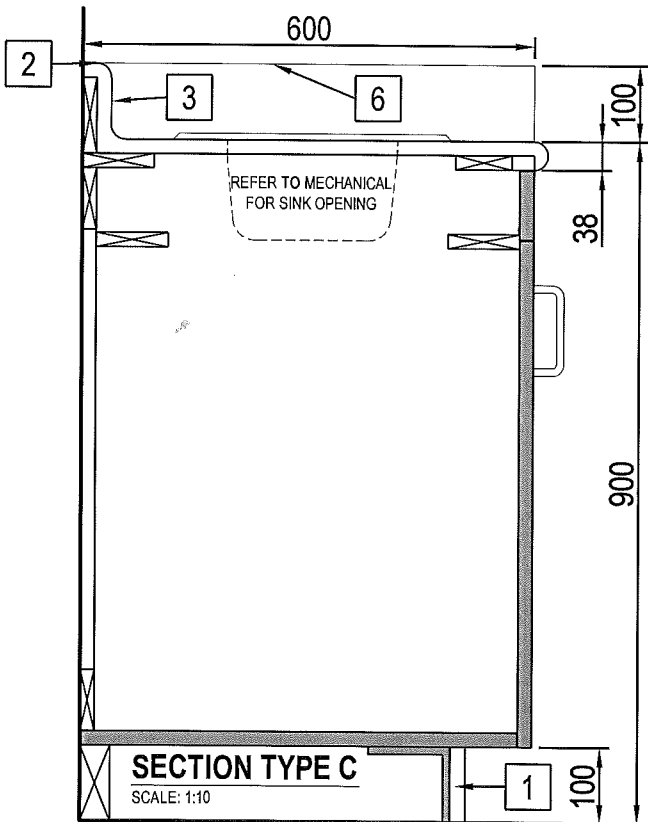
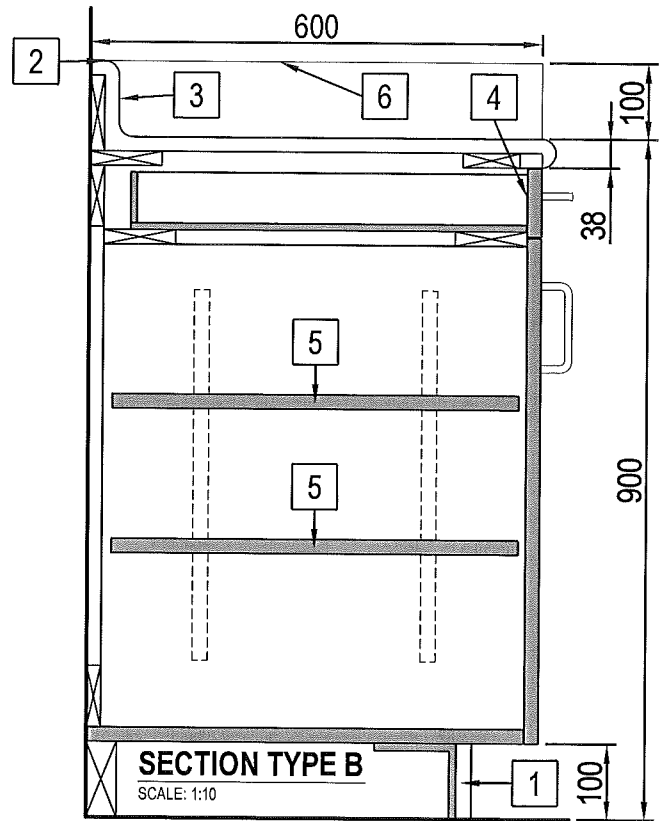
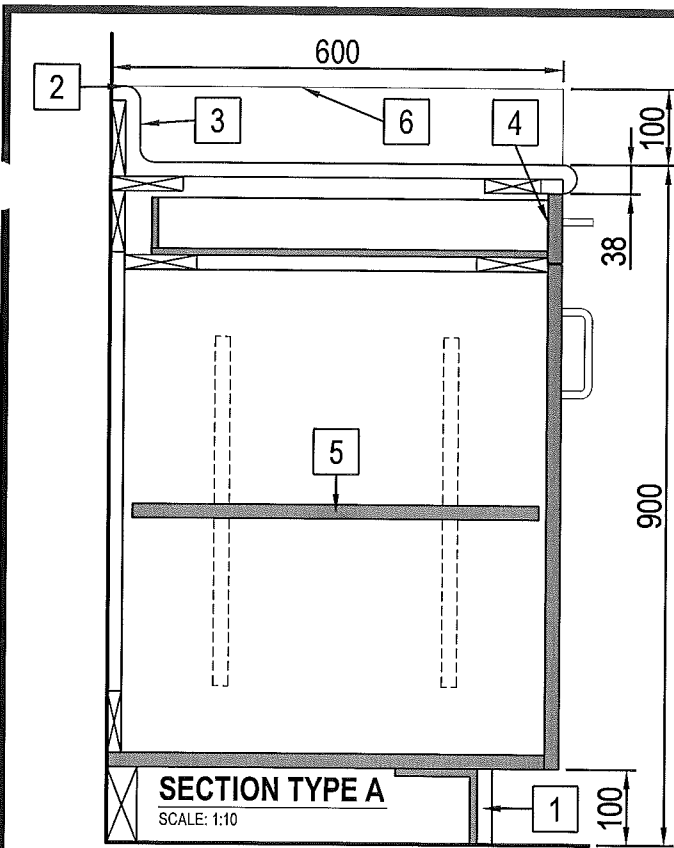
LOCATION
ISLAND LAKE, MANITOBA, CANADA

PROJECT TITLE
00

A7.07

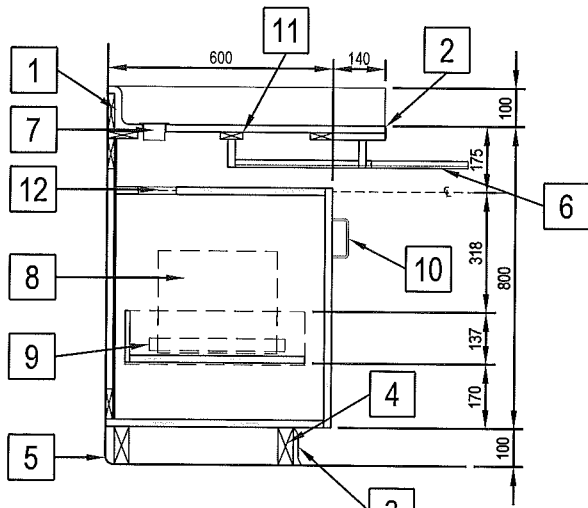
JOB NO.
13-168-01-14

THIS DRAWING IS THE PROPERTY OF CAN TEC ENGINEERING AND DRAFTING. IT IS TO BE USED ONLY FOR THE PROJECT AND SITE SPECIFICALLY IDENTIFIED HEREIN. IT IS NOT TO BE REPRODUCED, COPIED, OR TRANSMITTED IN ANY FORM OR BY ANY MEANS, ELECTRONIC OR MECHANICAL, WITHOUT THE WRITTEN PERMISSION OF CAN TEC ENGINEERING AND DRAFTING.

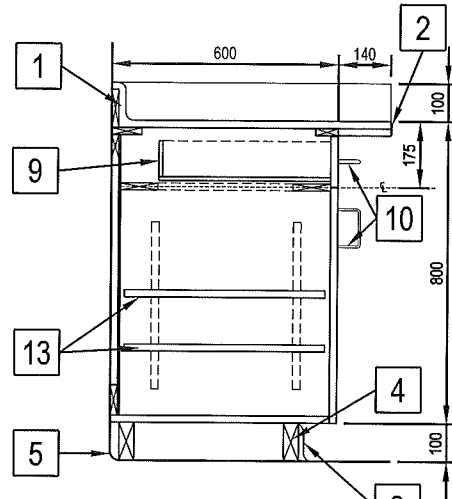


KEYNOTES:

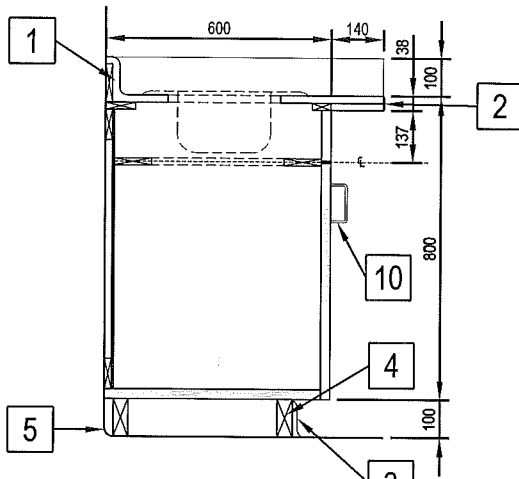
- 1 RESILIENT BASE (100mm)
- 2 SEALANT @ ALL JOINTS
- 3 PLANTED STOCK BACKSPASH
- 4 DRAWER LOCK, AS PER INTERIOR ELEVATIONS
- 5 ADJUSTABLE SHELF
- 6 SIDESPLASH @ CORNER LOCATIONS



SECTION TYPE A
SCALE: 1:20



SECTION TYPE B
SCALE: 1:20



SECTION TYPE C
SCALE: 1:20

KEYNOTES:

- 1 PLASTIC LAMINATE BACKSPLASH & SIDESPLASH
- 2 38mm X 6mm PVC EDGE
- 3 RESILIENT BASE (100mm)
- 4 LEVEL MILLWORK WITH SHIMS ON SLOPED FLOOR
- 5 ALLOW FOR SEAMLESS EPOXY QUARTZ COVE BASE
- 6 KEYBOARD TRAY
- 7 GROMMET FOR CABLES TO AVOID KEYBOARD TRAY
- 8 PRINTER APPROXIMATELY 254mm X 355mm
- 9 DRAWER SLIDER
- 10 DRAWER PULL
- 11 INTERMEDIATE FRAMING AS REQUIRED FOR KEYBOARD DRAWER
- 12 100mmØ CUT-OUT
- 13 ADJUSTABLE SHELVES



PROJECT TITLE
ISLAND LAKE FACILITY BUILDING

SHEET TITLE
ROOM 138 - COUNTERS - SECTIONS

DATE (YY MM DD) SCALE DRAWN BY CHECKED BY
14 03 21 1:20 RS RS

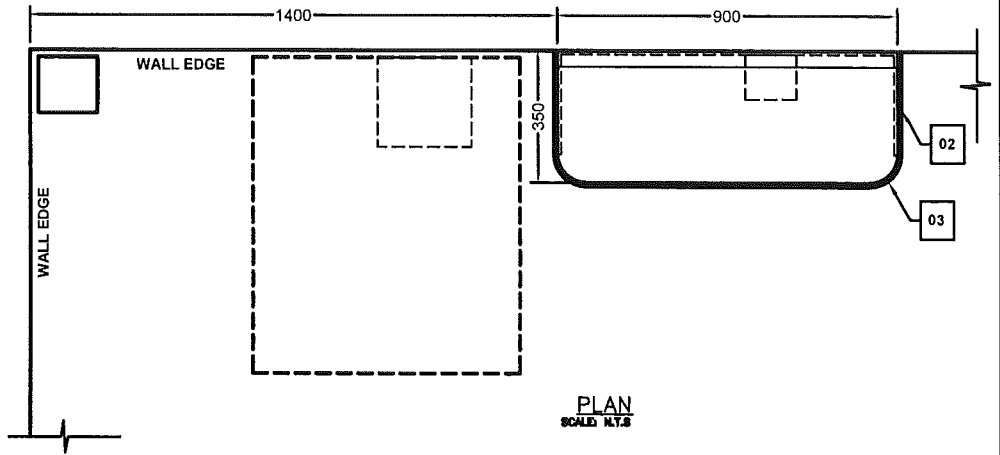
LOCATION
ISLAND LAKE, MANITOBA, CANADA

PROJECT TITLE
00

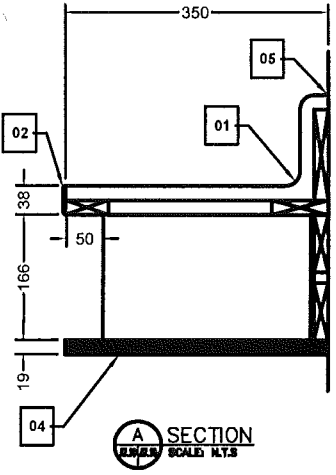
A7.09
JOB NO.
13-168-01-14

THIS DRAWING IS THE PROPERTY OF
 CAN TEC ENGINEERING AND DRAFTING
 AND IS NOT TO BE REPRODUCED OR
 TRANSMITTED IN ANY FORM OR BY
 ANY MEANS, ELECTRONIC OR MECHANICAL,
 INCLUDING PHOTOCOPYING, RECORDING,
 OR BY ANY INFORMATION STORAGE AND
 RETRIEVAL SYSTEM, WITHOUT THE
 WRITTEN PERMISSION OF CAN TEC
 ENGINEERING AND DRAFTING.

1948 MAIN STREET, WINNIPEG, MANITOBA Tel: (204) 643-7222 Fax: (204) 647-5717



PLAN
SCALE: N.T.S

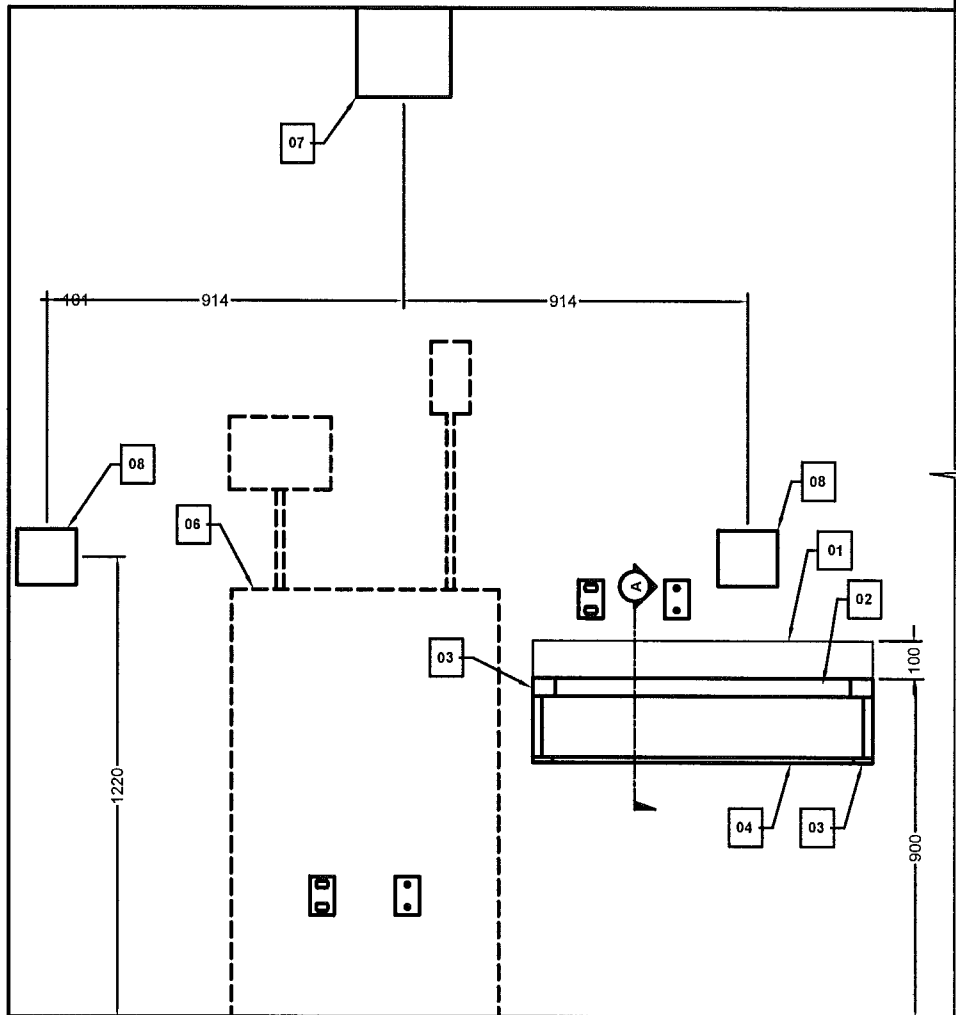


A SECTION
SCALE: N.T.S

CONSTRUCTION NOTES:
CABINET CONSTRUCTION TO BE TYPE 2

KEYNOTES:

- 01 BACKSPLASH
- 02 38 X 6mm PVC EDGE
- 03 50mm RADIUS EACH CORNER
- 04 PVC EDGE
- 05 SEALANT
- 06 LIVESCAN UNIT
- 07 LIVESCAN PRIMARY LIGHT MOUNTED @ U/S CEILING, DIRECTED AT SUBJECT POSITION
- 08 LIVESCAN FILL LIGHT



ELEVATION
SCALE: N.T.S



PROJECT TITLE
ISLAND LAKE FACILITY BUILDING

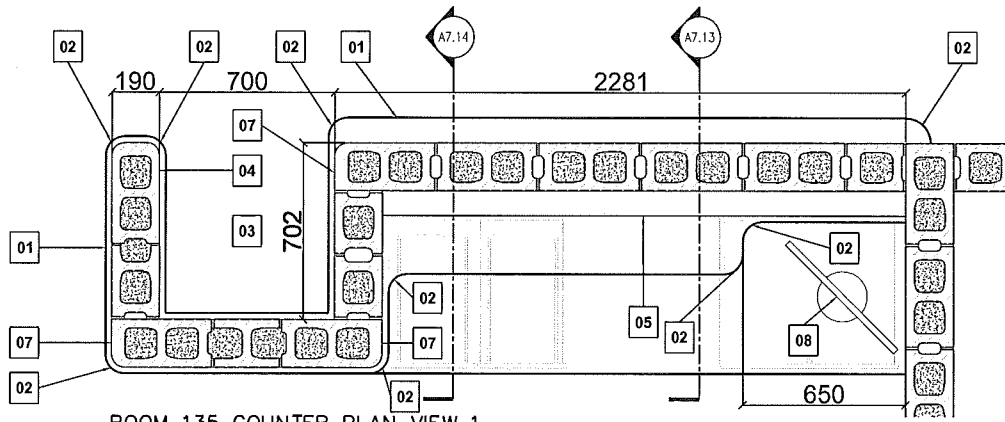
SHEET TITLE
COUNTER IN ROOM 138 - PLAN, ELEVATION & SECTION

DATE (YY MM DD) 14 03 21 SCALE N.T.S DRAWN BY RS CHECKED BY RS

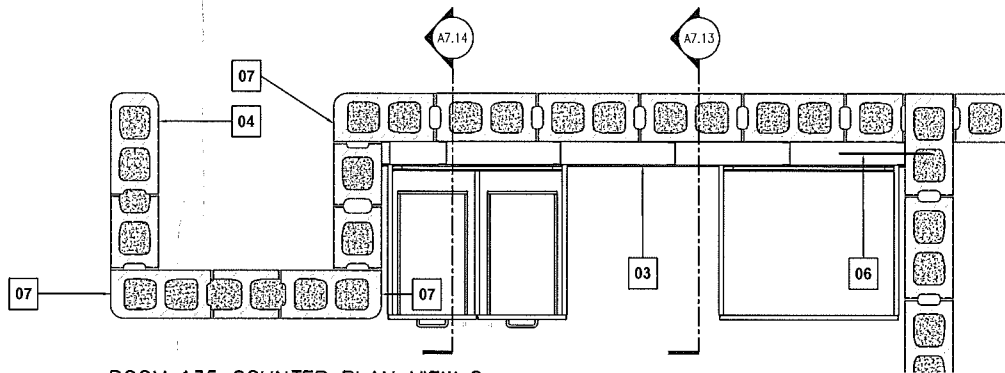
LOCATION
ISLAND LAKE, MANITOBA

REV.NO

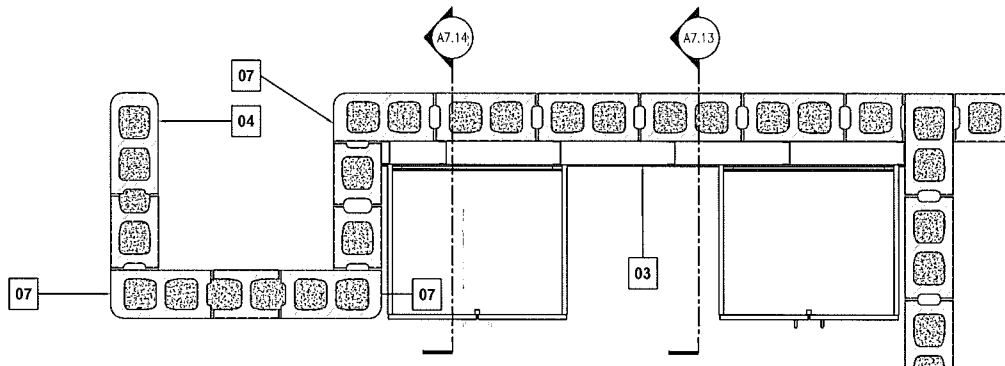
A7.10
JOB NO
13-168-01-14



ROOM 135 COUNTER PLAN VIEW 1
SCALE: N.T.S



ROOM 135 COUNTER PLAN VIEW 2
SCALE: N.T.S



ROOM 135 COUNTER PLAN VIEW 3
SCALE: N.T.S

KEYNOTES:

- | | | | |
|----|--|----|--|
| 01 | LINE OF COUNTER ABOVE | 05 | 6mm BIRCH PLYWOOD REMOVEABLE PANEL |
| 02 | CHAMFER UPPER COUNTER CORNERS BY 100mm | 06 | ELECTRICAL CONDUIT PASSING INTO WIRING CHASE |
| 03 | PRISONER SEAT | 07 | SINGLE CORNER BULL NOSE BLOCK |
| 04 | DOUBLE BULL NOSE BLOCK @ END OF WALL | 08 | MONITOR |



ENGINEERING AND DRAFTING
1946 MAIN STREET, WINNIPEG, MANITOBA Tel: (204) 943-7222 Fax: (204) 947-8717

PROJECT TITLE
ISLAND LAKE BUILDING FACILITY

SHEET TITLE
COUNTER IN ROOM 135 - PLAN SECTIONS

DATE (YY/MM/DD) SCALE DRAWN BY CHECKED BY
14 03 21 NTS RS RS

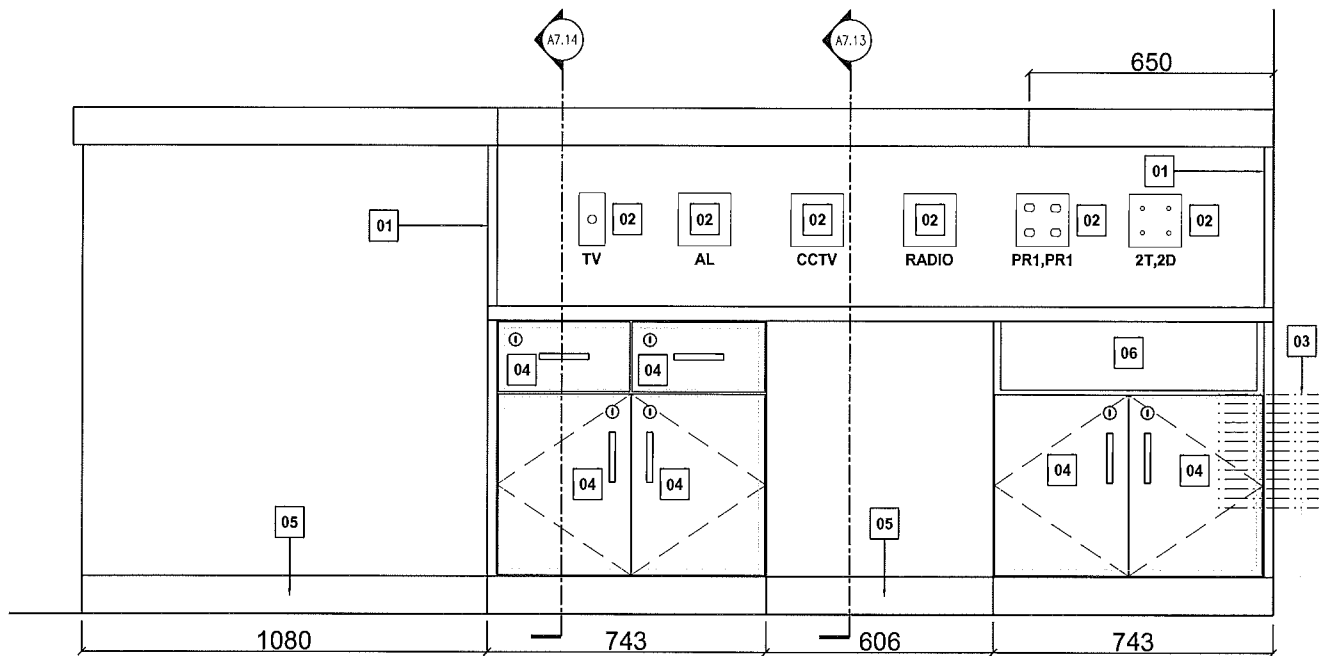
LOCATION
ISLAND LAKE, MANITOBA, CANADA

REVISION #: 00

A7.11
JOB NO.
13-168-01-14

THIS DRAWING IS THE EXCLUSIVE PROPERTY OF CANTEC SERVICES LTD. AND CANNOT BE REPRODUCED OR TRANSMITTED IN ANY FORM OR BY ANY MEANS, ELECTRONIC OR MECHANICAL, WITHOUT THE WRITTEN PERMISSION OF CANTEC SERVICES LTD. MANITOBA. THE GENERAL CONTRACTOR SHALL VERIFY ALL DIMENSIONS, MATERIALS AND FINISHES PERTAINING TO THIS DRAWING AND BE RESPONSIBLE FOR REPORTING ANY DISCREPANCIES TO THE ARCHITECT. CANTEC SERVICES LTD. MANITOBA.

<http://www.cantecservices.ca/>



ROOM 135 COUNTER ELEVATION

SCALE: N.T.S

KEYNOTES:

- 01 PROVIDE A GABLE TO SUPPORT COUNTER ABOVE
- 02 ALL OUTLETS TO BE FLUSH WITH 6mm BIRCH PLYWOOD REMOVEABLE PANEL
- 03 ELECTRICAL CONDUIT PASSING INTO WIRING CHASE
- 04 DRAWER LOCK (TYPICAL ALL DRAWERS AND CUPBOARDS)
- 05 RESILIENT BASE
- 06 CABINET SHELF



1940 MAIN STREET, WINNIPEG, MANITOBA TEL: (204) 943-7222 FAX: (204) 947-9717

PROJECT TITLE
ISLAND LAKE BUILDING FACILITY
 SHEET TITLE
ROOM 135 COUNTER - ELEVATIONS

DATE (YYMMDD) 14 03 21 SCALE NTS DRAWN BY RS CHECKED BY RS

LOCATION
 ISLNAD LAKE, MANITOBA, CANADA

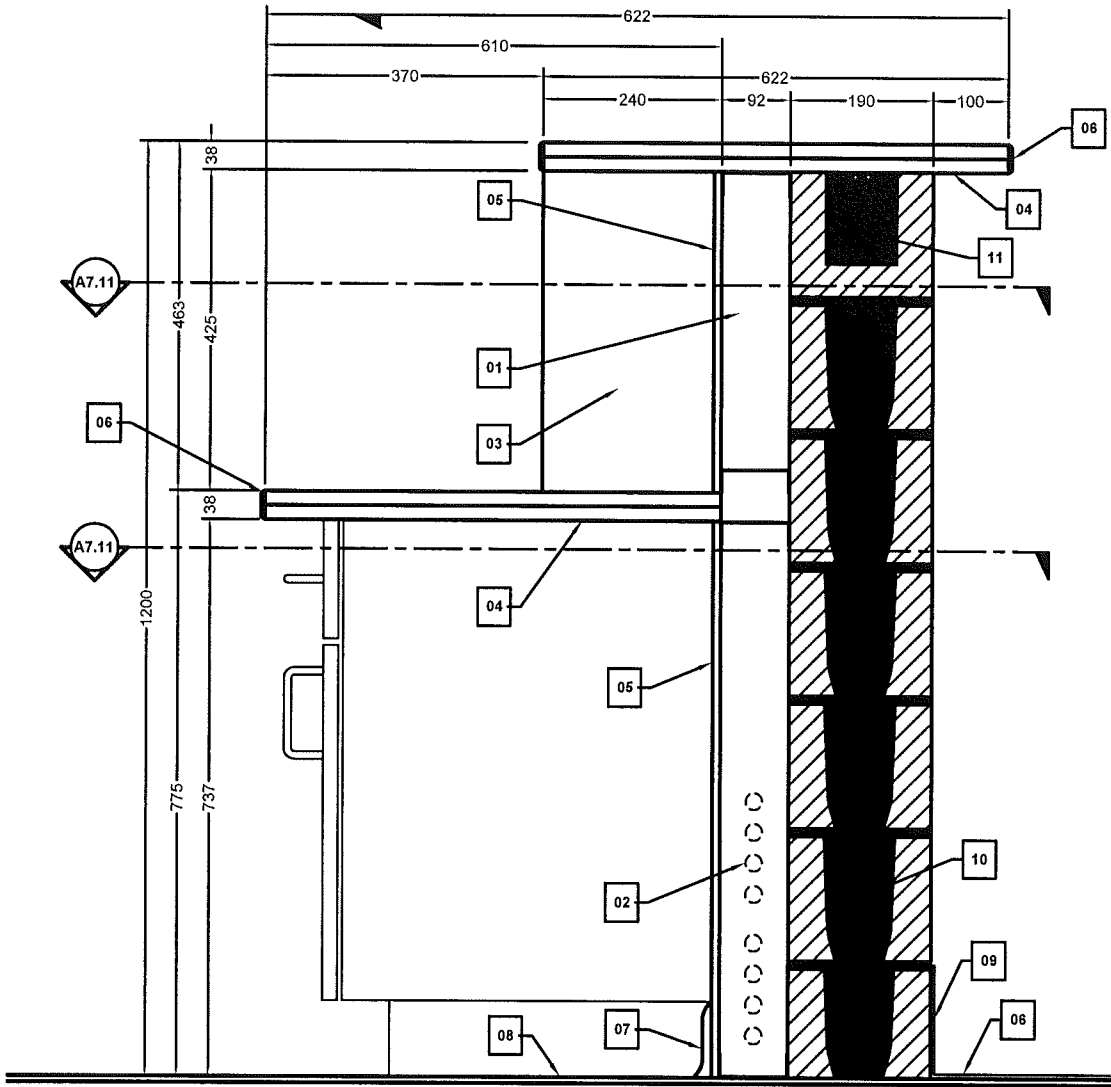
REVISION #: 00

A7.12

JOB NO. 13-168-01-14

THE GENERAL CONTRACTOR SHALL VERIFY ALL DIMENSIONS, UTILITIES AND SERVICES TO BE PROVIDED BY OTHERS AND SHALL BE RESPONSIBLE FOR WORKING AND REPAIRING ALL SERVICES TO BE PROVIDED BY OTHERS. THE CONTRACTOR SHALL BE RESPONSIBLE FOR OBTAINING ALL NECESSARY PERMITS AND APPROVALS FROM THE LOCAL AUTHORITY. THE CONTRACTOR SHALL BE RESPONSIBLE FOR OBTAINING ALL NECESSARY PERMITS AND APPROVALS FROM THE LOCAL AUTHORITY. THE CONTRACTOR SHALL BE RESPONSIBLE FOR OBTAINING ALL NECESSARY PERMITS AND APPROVALS FROM THE LOCAL AUTHORITY.

http://www.cantecservice.ca/



CONSTRUCTION NOTES:

CABINET CONSTRUCTION TO BE OF TYPE 2

KEYNOTES:

- 01 WIRING CHASE, CREATED BY 92mm METAL STUDS
- 02 ELECTRICAL CONDUIT, PENETRATING ADJACENT WALL WITHIN WIRING CHASE
- 03 PROVIDE GABLE TO SUPPORT UPPER COUNTER
- 04 2 LAYER 19mm PLYWOOD
- 05 6mm BIRCH PLYWOOD REMOVABLE PANELS

- 06 P.LAM W/ 6mm PVC EDGE
- 07 RESILIENT BASE
- 08 SEAMLESS EPOXY QUARTZ FLOORING
- 09 CARRY EPOXY QUARTZ FLOORING 100mm UP WALL, TURNED INTO RAKED FIRST JOINT
- 10 GROUT FILLED CONCRETE BLOCK, FULL HEIGHT. SECURED INTO FLOOR AS PER STRUCTURAL
- 11 CONCRETE BLOCK LINTEL COARSE, GROUT FILLED

PROJECT TITLE

ISLAND LAKE FACILITY BUILDING

SHEET TITLE

MILLWORK ROOM 135 SECTION

DATE (YY MM DD)

14 03 21

SCALE

N.T.S

DRAWN BY

RS

CHECKED BY

RS

LOCATION

ISLAND LAKE, MANITOBA

REV.NO

A7.13

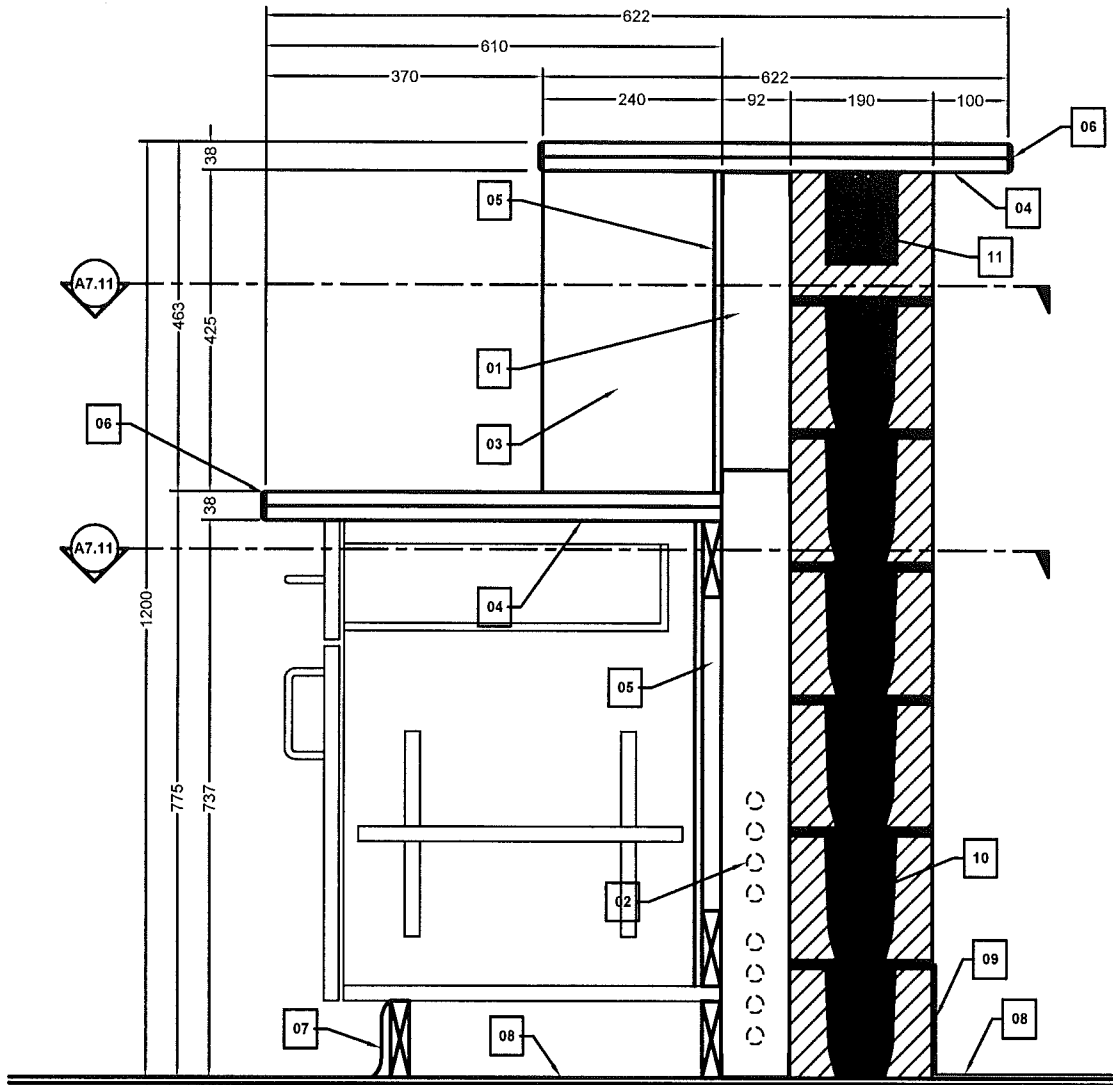
JOB NO

13-168-01-14



ENGINEERING AND DRAFTING

1940 MAIN STREET, WINNIPEG, MANITOBA Tel: (204) 943-7223 Fax: (204) 947-8717



CONSTRUCTION NOTES:

CABINET CONSTRUCTION TO BE OF TYPE 2

KEYNOTES:

- 01 WIRING CHASE, CREATED BY 92mm METAL STUDS
- 02 ELECTRICAL CONDUIT, PENETRATING ADJACENT WALL WITHIN WIRING CHASE
- 03 PROVIDE GABLE TO SUPPORT UPPER COUNTER
- 04 2 LAYER 19mm PLYWOOD
- 05 6mm BIRCH PLYWOOD REMOVABLE PANELS

- 06 P.LAM W/ 6mm PVC EDGE
- 07 RESILIENT BASE
- 08 SEAMLESS EPOXY QUARTZ FLOORING
- 09 CARRY EPOXY QUARTZ FLOORING 100mm UP WALL, TURNED INTO RAKED FIRST JOINT
- 10 GROUT FILLED CONCRETE BLOCK, FULL HEIGHT. SECURED INTO FLOOR AS PER STRUCTURAL
- 11 CONCRETE BLOCK LINTEL COARSE, GROUT FILLED

PROJECT TITLE
ISLAND LAKE FACILITY BUILDING

SHEET TITLE
MILLWORK IN ROOM 135 - SECTION

DATE (YY MM DD) SCALE DRAWN BY CHECKED BY
14 03 21 N.T.S RS RS

LOCATION
ISLAND LAKE, MANITOBA

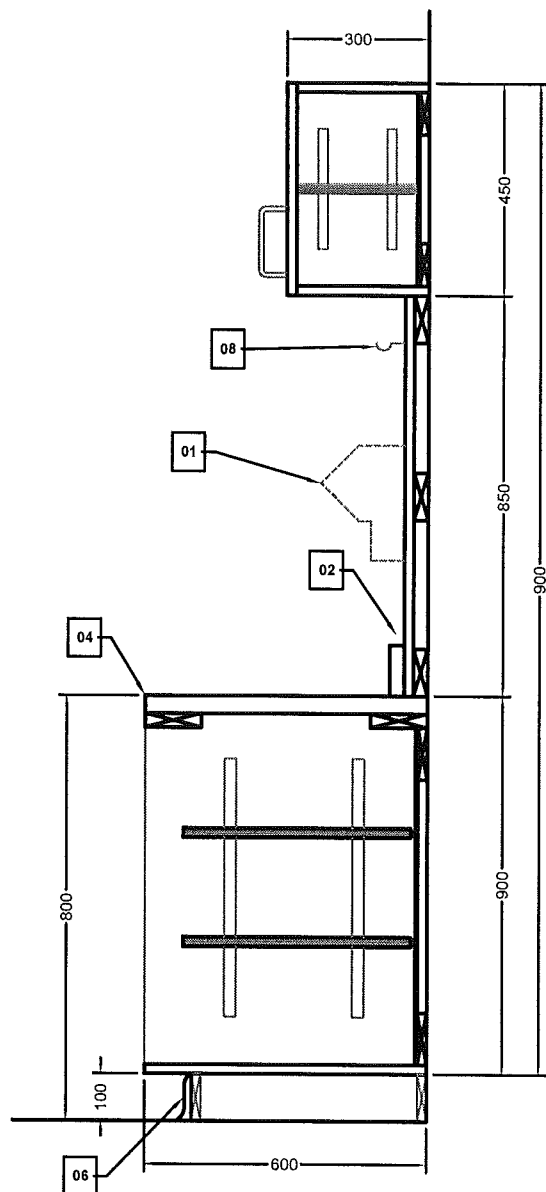
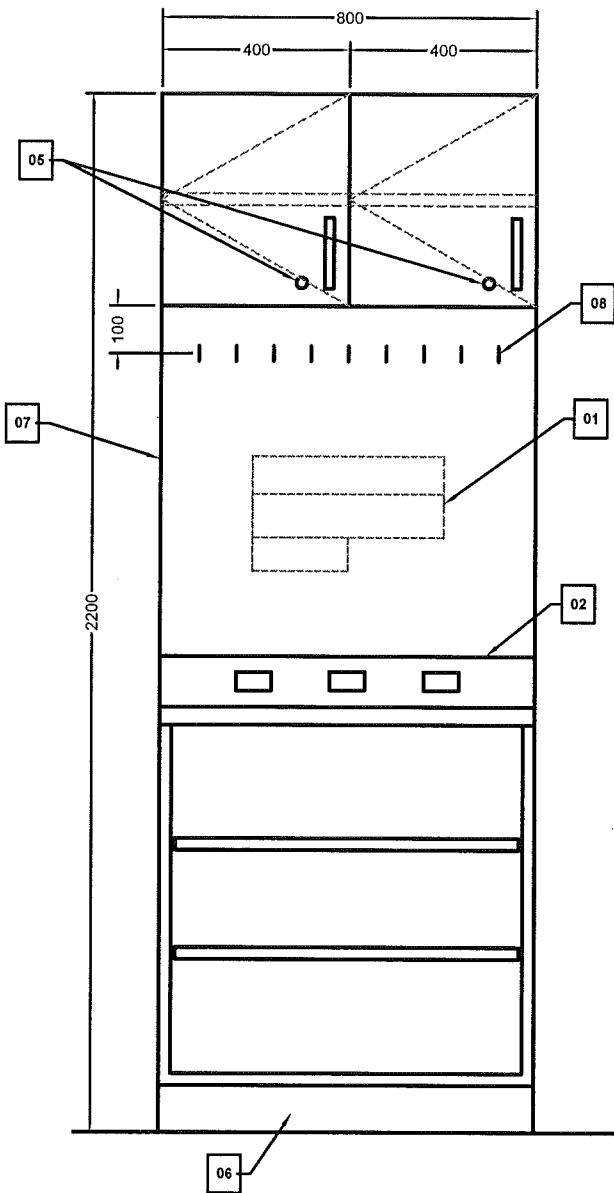
REV.NO



ENGINEERING AND DRAFTING
1941 MAIN STREET, WINNIPEG, MANITOBA Tel: (204) 943-7222 Fax: (204) 947-0717

A7.14

JOB NO.
13-168-01-14



CONSTRUCTION NOTES:

CABINET CONSTRUCTION TO BE OF TYPE 2

KEYNOTES:

- | | |
|--|--|
| <p>01 RADIO CHARGERS MOUNTED ON PLYWOOD</p> <p>02 SURFACE ELECTRICAL RACEWAY</p> <p>03 REMOVABLE 19mm PLYWOOD BACKBOARD ON FURRING</p> <p>04 38 X 6mm PVC EDGE</p> | <p>05 CUPBOARD DOOR LOCK</p> <p>06 RESILIENT BASE</p> <p>07 CLOSE END OF BACKBOARD WITH HARDWOOD BLOCKING
APPLY PVC EDGE TO ENDS OF BACKBOARD</p> <p>08 ONWARD 2735 38mm CORNICE HOOKS @ 75mm O.C.</p> |
|--|--|



PROJECT TITLE
ISLAND LAKE FACILITY BUILDING

SHEET TITLE
MODULAR CHARGING COUNTER AND CABINETS RM 108

DATE (YY MM DD) 14 03 21
SCALE N.T.S.

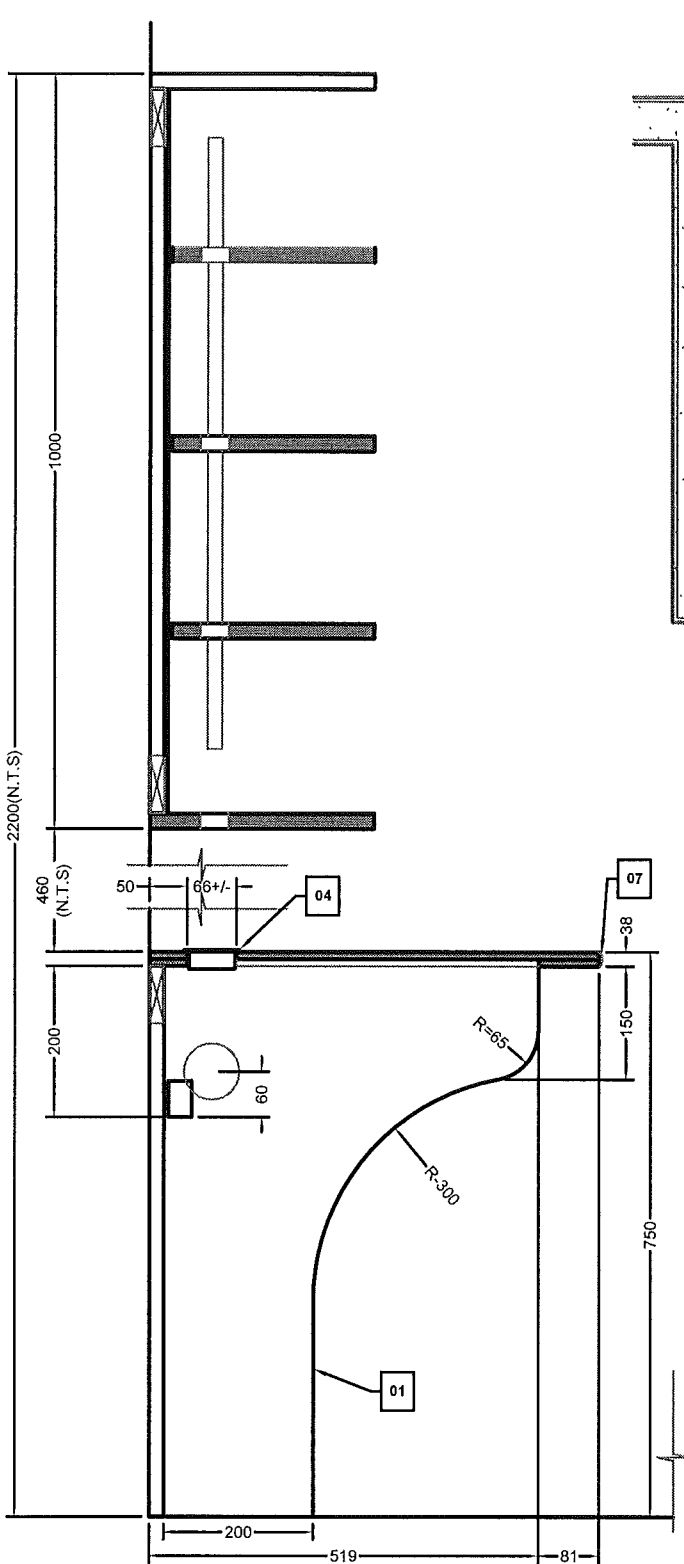
DRAWN BY RS
CHECKED BY RS

LOCATION
ISLAND LAKE, MANITOBA

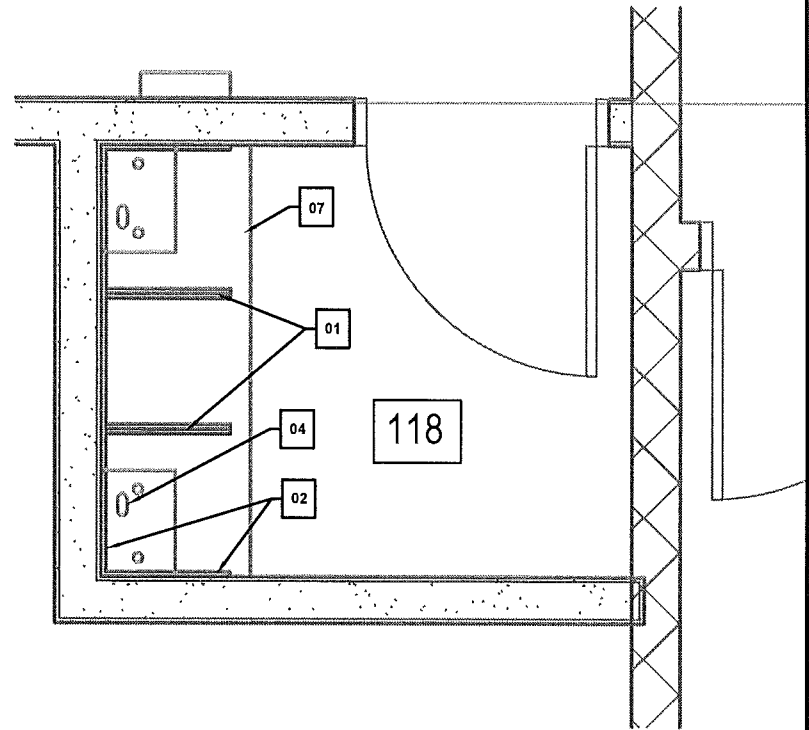
REV.NO

A7.15

JOB NO
13-168-01-14



SECTION AT INTERMEDIATE GABLE
SCALE: N.T.S.



PLAN DETAIL
SCALE: N.T.S.

CONSTRUCTION NOTES:
CABINET CONSTRUCTION TO BE OF TYPE 1

- KEYNOTES:**
- 01 INTERMEDIATE GABLE (TYPICAL)
 - 02 WALL CLEAT
 - 03 GABLE GROMMET
 - 04 COUNTER - TOP GROMMET
 - 05 WIRE MANAGEMENT MOULDING
 - 06 2 X 38mm Ø HOLES IN EACH SHELF
 - 07 38 X 6 PVC EDGE



PROJECT TITLE
ISLAND LAKE FACILITY BUILDING

SHEET TITLE
MILLWORK ROOM 118

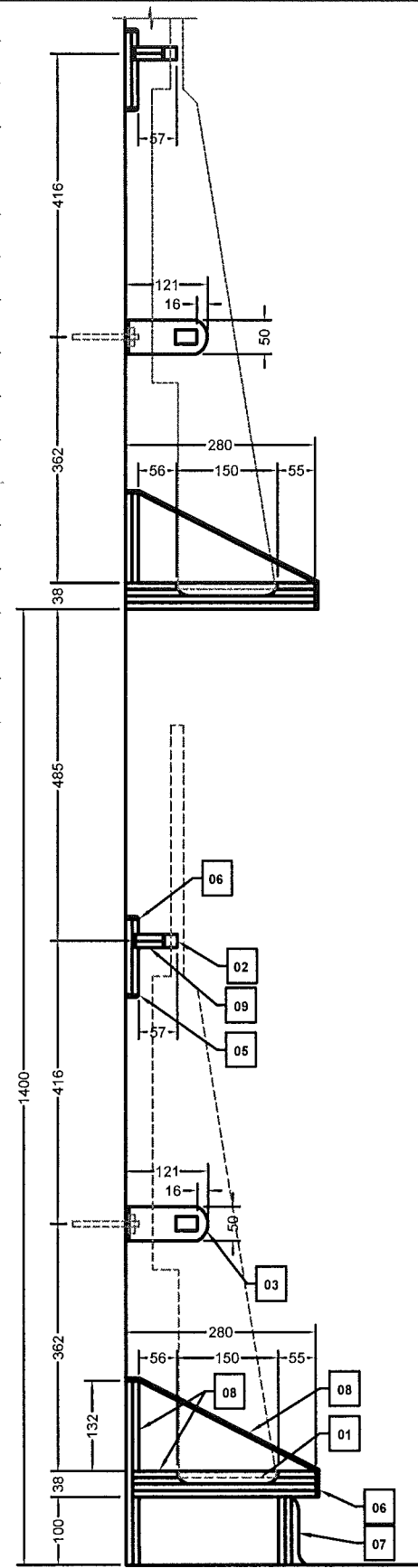
REV.NO

DATE (YY MM DD) 14 03 21
SCALE N.T.S.
DRAWN BY RS
CHECKED BY RS

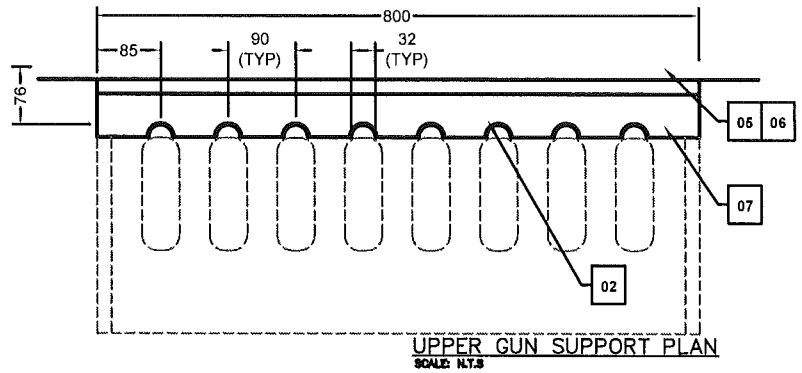
A7.16

ENGINEERING AND DRAFTING LOCATION
1941 MAIN STREET, WINNIPEG, MANITOBA Tel: (204) 945-7222 Fax: (204) 947-4717 ISLAND LAKE, MANITOBA

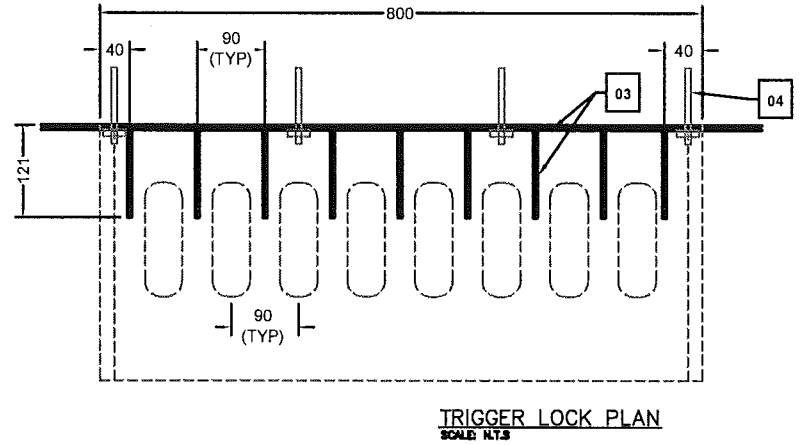
JOB NO
13-168-01-14



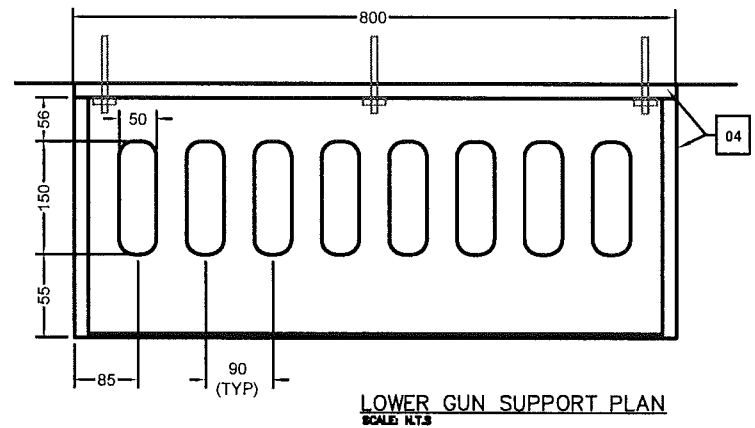
SECTION AT INTERMEDIATE GABLE
SCALE: N.T.S



UPPER GUN SUPPORT PLAN
SCALE: N.T.S



TRIGGER LOCK PLAN
SCALE: N.T.S



LOWER GUN SUPPORT PLAN
SCALE: N.T.S

CONSTRUCTION NOTES:

SECURE PLYWOOD COMPONENTS INTO WOOD BLOCKING BETWEEN STUDS OR CONCRETE BLOCK WITH 10mmØ LAG SCREWS & SHIELDS SPACED @ 350mm O.C.

KEYNOTES:

- 01 150mmX50mm CUT-OUT IN FIRST LAYER OF PLYWOOD-RADIUS ROUTED BOTTOM, LINED WITH FELT
- 02 32Ø HALF ROUND CUT-OUT LINED WITH FELT
- 03 6mmX50mm STEEL FLAT BAR GUN TRIGGER LOCK (PAINTED), WITH RADIUS NOSE, BOLTED TO BACKBOARD(19 X 38 HOLE)
- 04 SECURE STEEL FLAT BAR, INTO WALL WITH 10mm LAG BOLTS, SPACED 250 O.C. MAX.

- 05 19mm G1S BIRCH VENEER PLYWOOD
- 06 3mm PVC EDGE, TO ALL EXPOSED PLYWOOD EDGES
- 07 RESILIENT BASE
- 08 19mm G2S BIRCH VENEER PLYWOOD, SUPPORT
- 09 19mm SOLID HARDWOOD - FINISHED TO MATCH PLYWOOD



PROJECT TITLE
ISLAND LAKE FACILITY BUILDING

SHEET TITLE
GUN RACK ROOMS 108 AND 123

DATE (YY MM DD) 14 03 21 SCALE N.T.S DRAWN BY RS CHECKED BY RS

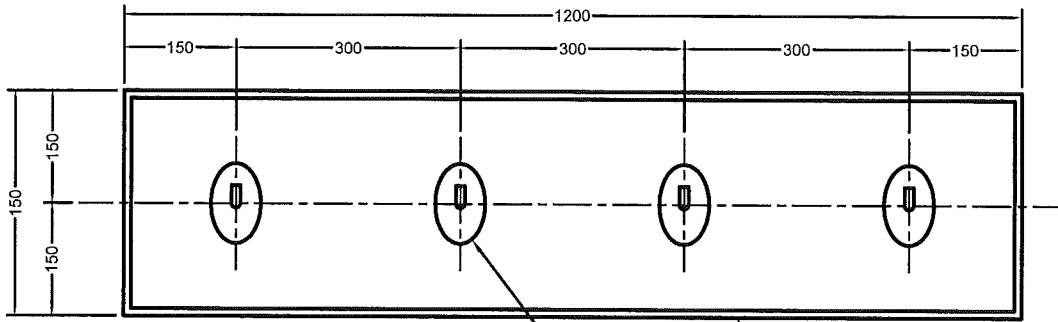
LOCATION
ISLAND LAKE, MANITOBA

REV.NO

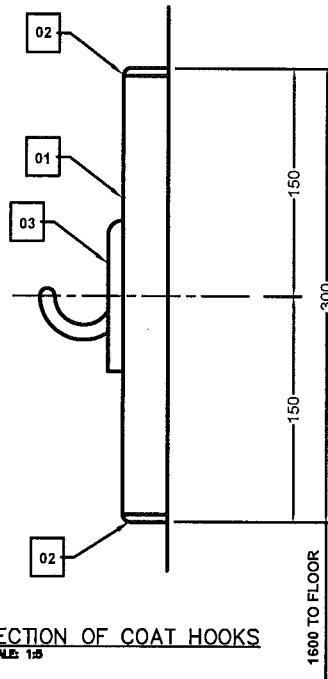
A7.17

JOB NO
13-168-01-14

ENGINEERING AND DRAFTING
1943 MAIN STREET, WINNIPEG, MANITOBA Tel: (204) 943-7222 Fax: (204) 947-8717



ELEVATION IN ROOM #139
SCALE: 1/10



SECTION OF COAT HOOKS
SCALE: 1/5

CONSTRUCTION NOTES:

CABINET CONSTRUCTION TO BE OF TYPE 2

KEYNOTES:

- 01 19mm G1S BIRCH PLYWOOD
- 02 3mm PVC BEVELED EDGING
- 03 RICHLIEU BP6506 - 140 METAL COAT HOOK



PROJECT TITLE
ISLAND LAKE FACILITY BUILDING

SHEET TITLE
COAT HOOKS

DATE (YY MM DD)
14 03 21

SCALE
N.T.S.

DRAWN BY
RS

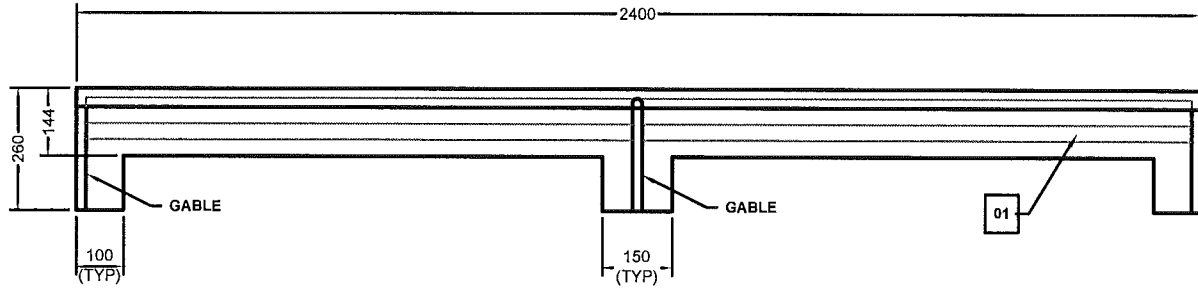
CHECKED BY
RS

LOCATION
ISLAND LAKE, MANITOBA

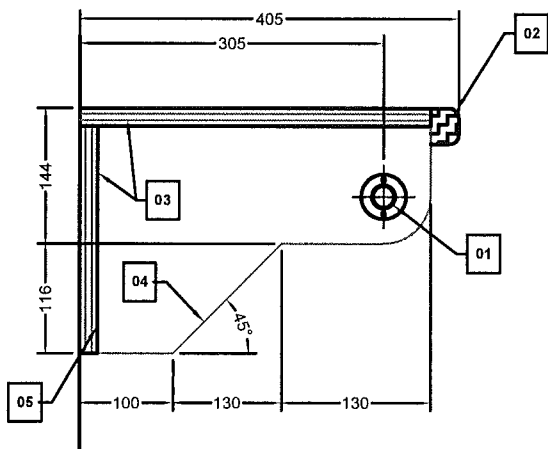
REV. NO

A7.18

JOB NO
13-168-01-14



ELEVATION - CORRIDOR #122
SCALE: 1:16



CONSTRUCTION NOTES:

CABINET CONSTRUCTION TO BE OF TYPE 2

KEYNOTES:

- 01** 25mmØ CHROMED STEEL TUBE C/W END BRACKETS
- 02** 19 X 38 BIRCH EDGE, 6mm RADIUS ON EXPOSED EDGES
- 03** 19 BIRCH VENEER PLYWOOD
- 04** 19 BIRCH VENEER PLYWOOD GABLE BOTH ENDS
INTERMEDIATE GABLES AT 1200.C. MAX
- 05** EXTEND CLEAT AT GABLES



PROJECT TITLE
ISLAND LAKE FACILITY BUILDING

SHEET TITLE
COAT ROD AND SHELF

DATE (YY MM DD) SCALE DRAWN BY CHECKED BY
14 03 21 N.T.S RS RS

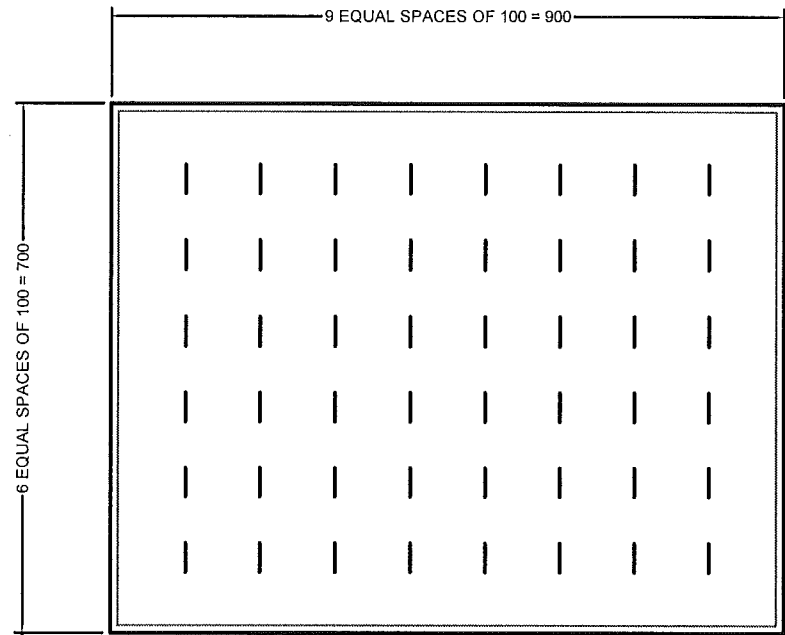
LOCATION
ISLAND LAKE, MANITOBA

REV.NO

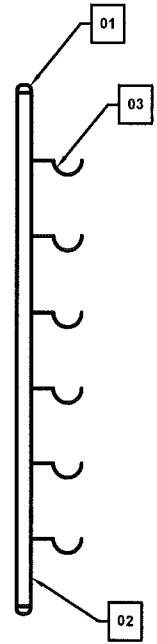
A7.19

JOB NO
13-168-01-14

ENGINEERING AND DRAFTING
1948 MAIN STREET, WINNIPEG, MANITOBA Tel: (204) 945-7222 Fax: (204) 947-0717



ELEVATION
SCALE: 1:10



SECTION
SCALE: 1:10

KEYNOTES:

- 01 STAINABLE 19mm G1S BIRCH PLYWOOD
- 02 3mm PVC BEVELED EDGING
- 03 ONWARD 2735 38mm CORNICE HOOKS



PROJECT TITLE
ISLAND LAKE FACILITY BUILDING

SHEET TITLE
KEY HOOKS

DATE (YYMMDD) SCALE DRAWN BY CHECKED BY
14 03 21 N.T.S RS RS

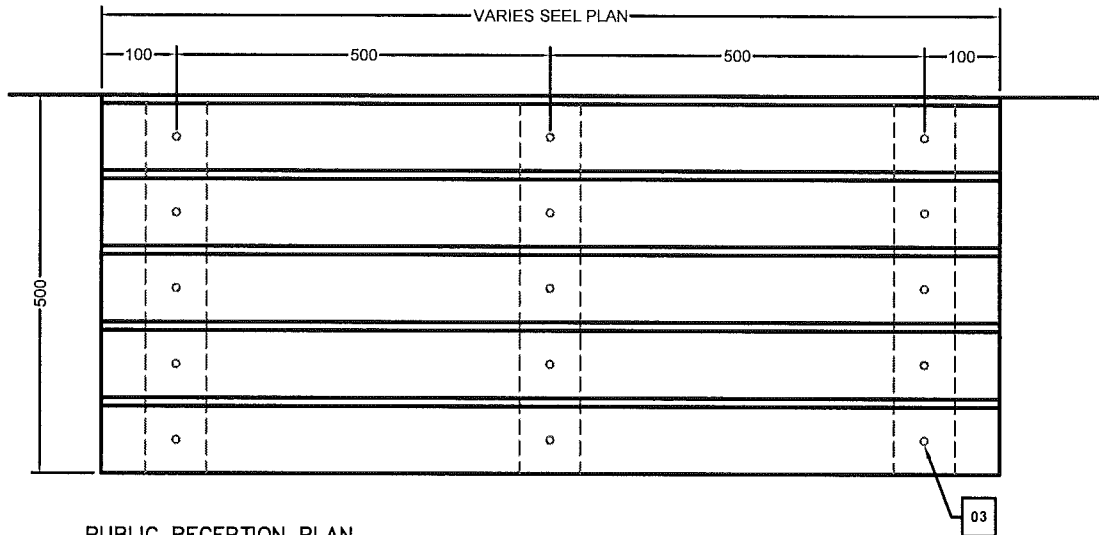
LOCATION
ISLAND LAKE, MANITOBA

REV.NO

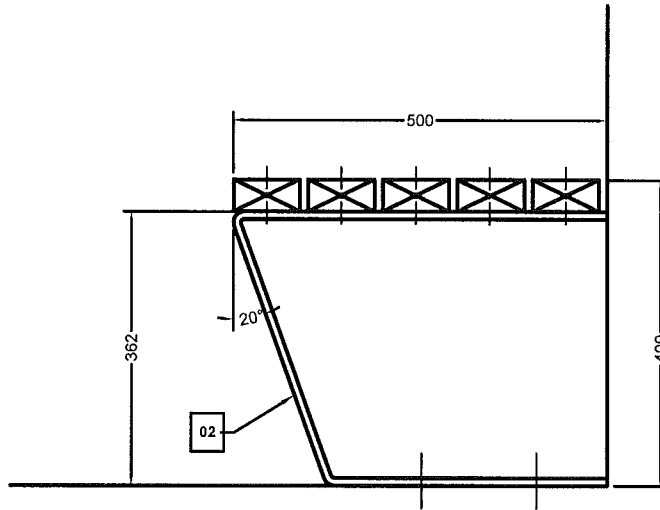
A7.20

JOB NO
13-168-01-14

ENGINEERING AND DRAFTING
1941 MAIN STREET, WINNIPEG, MANITOBA Tel: (204) 949-7222 Fax: (204) 947-6717



PUBLIC RECEPTION PLAN
SCALE: 1:10



BENCH SECTION
SCALE: 1:10

KEYNOTES:

- 01 38 X 89 HARDWOOD, EASE CORNERS - CLEAR LACQUER FINISH
- 02 100 X 6 STEEL FLATBAR SUPPORTS MAX 1200 O.C. BOLTED TO FLOOR - POWDER COAT FINISH
- 03 10mm COUNTERSUNK CARRIAGE BOLTS



ENGINEERING AND DRAFTING
1948 MAIN STREET, WINNIPEG, MANITOBA TEL: (204) 943-7222 FAX: (204) 947-5717

PROJECT TITLE
PUBLIC RECEPTION SEATING DETAILS

SHEET TITLE
TYPICAL BENCH DETAILS

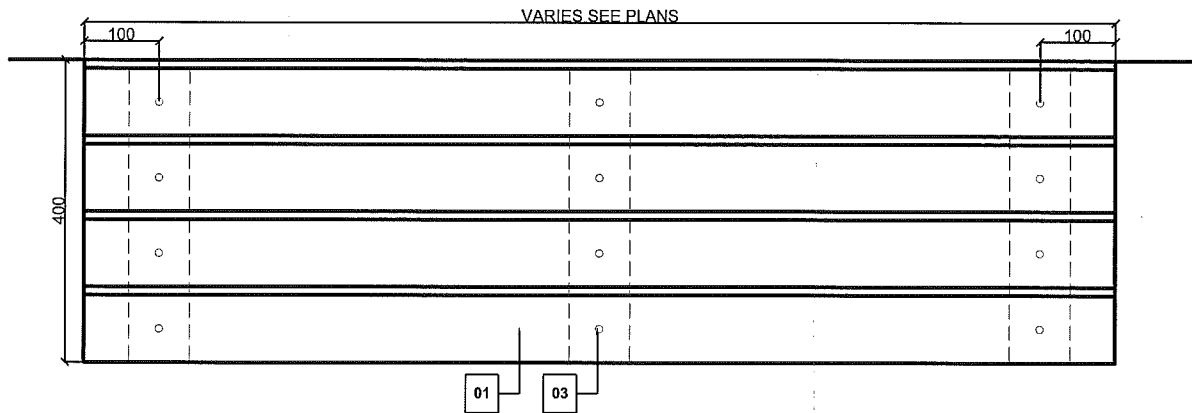
DATE (YY/MM/DD) SCALE DRAWN BY CHECKED BY
14 03 21 N.T.S RS RS

LOCATION
ISLAND LAKE, MANITOBA

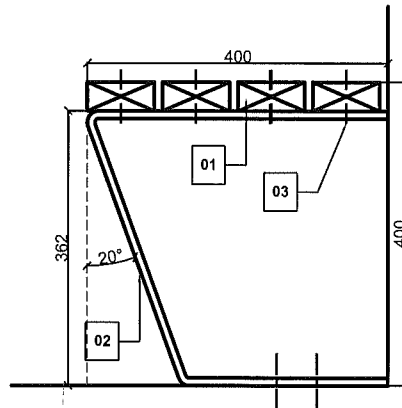
REV.NO

A7.21

JOB NO
13-168-01-14



PLAN RM 110, 111, 113
SCALE: 1:10



BENCH SECTION
SCALE: 1:10

KEYNOTES:

- 01 38 X 89 HARDWOOD, EASE CORNERS - CLEAR LACQUER FINISH
- 02 100 X 6 STEEL FLATBAR SUPPORTS MAX 1200 O.C. BOLTED TO FLOOR - POWDER COAT FINISH
- 03 10mm COUNTERSUNK CARRIAGE BOLTS



ENGINEERING AND DRAFTING
1948 MAIN STREET, WINNIPEG, MANITOBA Tel: (204) 943-7222 Fax: (204) 947-5717

PROJECT TITLE
ISLAND LAKE FACILITY BUILDING

SHEET TITLE
BENCH DETAIL RM 110, 111, 113

DATE (YY MM DD)
14 03 21

SCALE
N.T.S

DRAWN BY
RS

CHECKED BY
RS

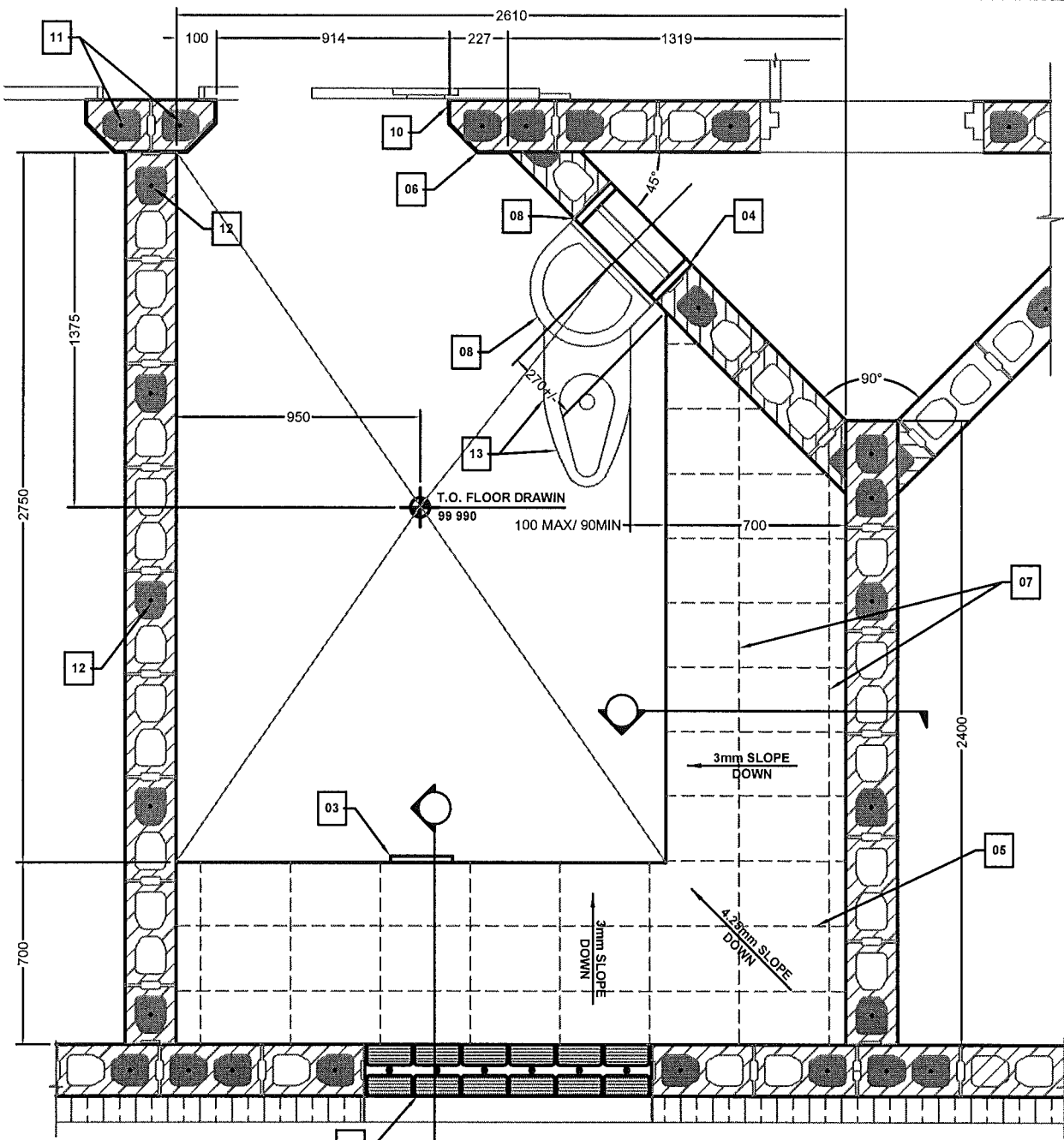
LOCATION
ISLAND LAKE, MANITOBA

REV.NO

A7.21A

JOB NO.
13-168-01-14

THIS DRAWING IS THE EXCLUSIVE PROPERTY OF CANTEC SERVICES LTD. AND IS NOT TO BE REPRODUCED OR TRANSMITTED IN ANY FORM OR BY ANY MEANS, ELECTRONIC OR MECHANICAL, INCLUDING PHOTOCOPYING, RECORDING, OR BY ANY INFORMATION STORAGE AND RETRIEVAL SYSTEM. THE GENERAL CONTRACTOR SHALL VERIFY ALL DIMENSIONS AND CONDITIONS OF WORK SHOWN TO BE CORRECT BEFORE PROCEEDING WITH THE WORK. CANTEC SERVICES LTD. MANITOBA. <http://www.cantecservices.ca/>



KEYNOTES:

- | | |
|--|---|
| <ul style="list-style-type: none"> 01 FLOPE FLOOR TO DRAIN 02 FLOOR DRAIN C/W SECURITY SCREWS - REFER TO MECHANICAL DRAWINGS 03 SECURE S/A GRILLE CENTERED IN BUNK FACE 04 SECURITY SLEEVE - SET IN NON-SHRINK GROUT 05 10M REBAR @ 400 O.C. 06 EPOXY SEALANT, FULL PERIMETER OF FRAME, BOTH SIDES 07 10M CONTINUOUS REBAR TIED INTO WALL | <ul style="list-style-type: none"> 08 EPOXY SEALANT 09 THREE, 200mm HIGH DIGITS PAINTED ON WALL 200mm BELOW GLASS BLOCK, DIGITS AS DIRECTED BY OWNER 10 MAX OF 3mm CLEARANCE BETWEEN DOOR AND FRAME 11 15M REBAR IN VOID, SURROUNDING FRAME. HIGH YIELD MORTAR FILL AROUND REBAR, AND 2 MORE VOIDS, SURROUNDING FRAME 12 15M VERTICAL REBAR, FROM FLOOR TO CONCRETE CEILING. HIGH YIELD MORTAR FILLED VOID - REFER TO STRUCTURAL 13 270 +/- DIMENSION FOR ACORN APPLIANCE MOUNTING LOCATION, SO SEAT IS 125MIN - 140 MAX FROM BUNK 14 305 +/- DIMENSION FOR THE WILOUGH BY APPLIANCE MOUNTING LOCATION, SO SEAT IS 125 MIN - 140 MAX FROM BUNK |
|--|---|



PROJECT TITLE
ISLAND LAKE FACILITY BUILDING

SHEET TITLE
TYPICAL CELL FLOOR PLAN

REV.NO

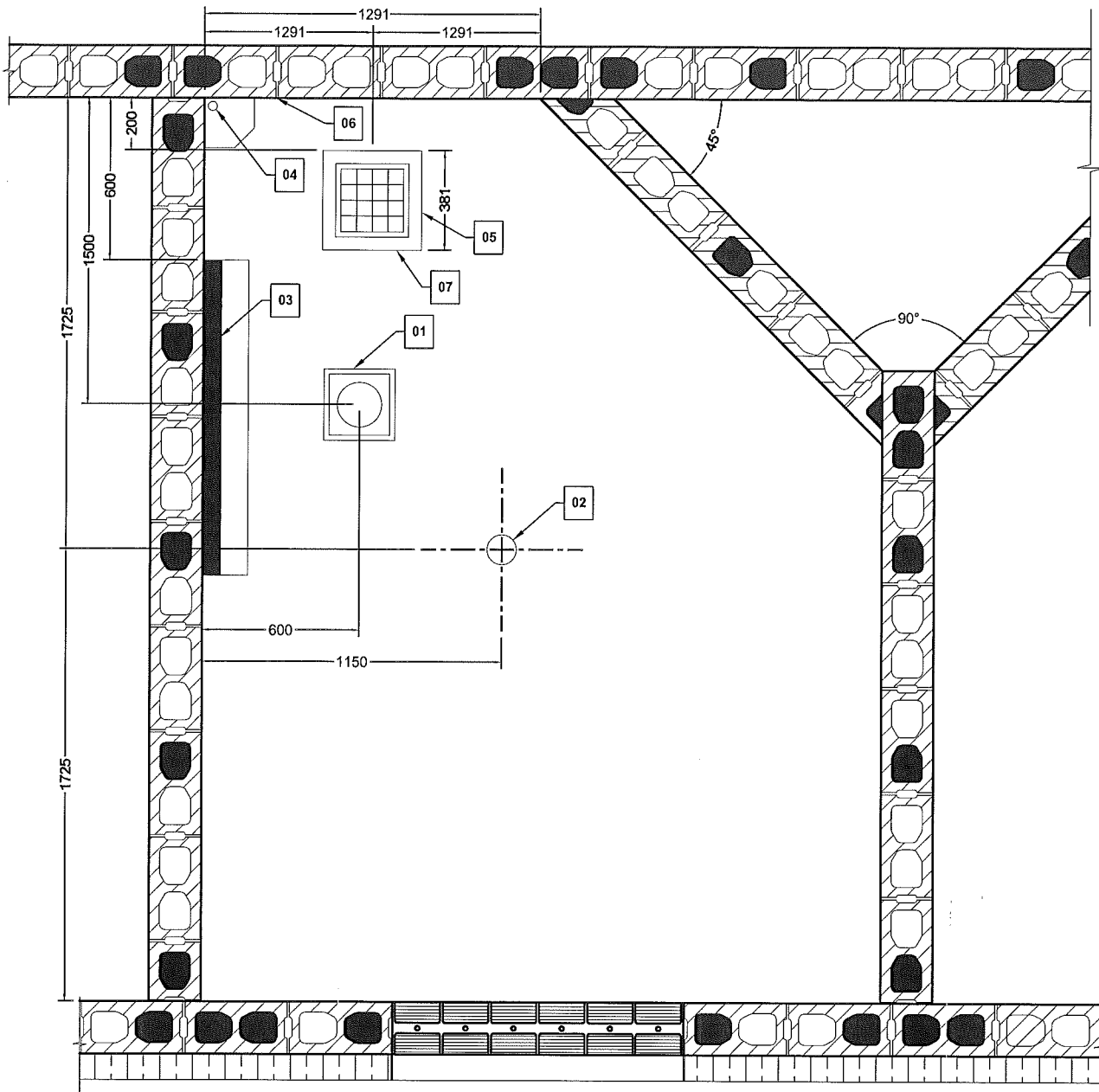
DATE: (YY MM DD) SCALE DRAWN BY CHECKED BY
 14 03 21 N.T.S RS RS

A7.22

LOCATION
 ISLAND LAKE, MANITOBA

JOB NO
13-168-01-14

ENGINEERING AND DRAFTING
 1343 MAIN STREET, WINNIPEG, MANITOBA Tel: (204) 943-7222 Fax: (204) 947-5717



KEYNOTES:

COORDINATE LOCATION FO ALL COMPONENTS WITH MECHANICAL & ELECTRICAL

KEYNOTES:

- 01 SMOKE DETECTOR & SECURITY CAGE. FILL GAPS BETWEEN MOUNTING PLATE AND CEILING WITH EPOXY SEALANT
- 02 SPRINKER
- 03 LIGHT FIXTURE. EPOXY SEALANT TO PERIMETER OF
- 04 SUPPLY & INSTALL BATKO HOUSING AS PER DRAWING E3.1 NOTE 10

- 05 SECURE E/A GRILLE, EXHAUST DUCT
- 06 EPOXY SEALANT TO PERIMETER OF CCVE BRACKET
- 07 EPOXY SEALANT TO PERIMETER OF FLANGE



PROJECT TITLE
ISLAND LAKE FACILITY BUILDING

SHEET TITLE
TYPICAL CELL FLOOR PLAN

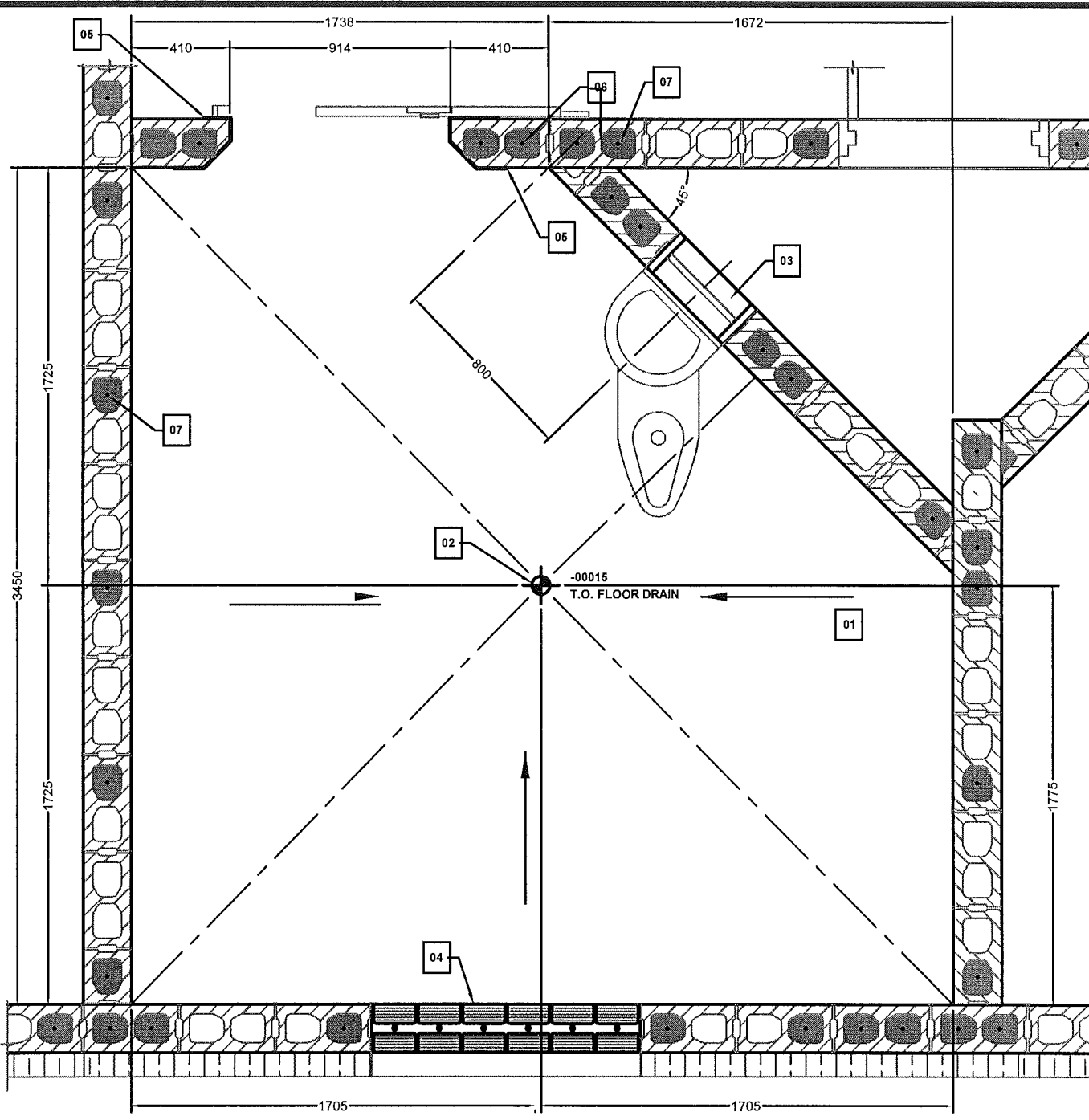
DATE (YYMMDD) SCALE DRAWN BY CHECKED BY
 14 03 21 N.T.S RS RS

LOCATION
 ISLAND LAKE, MANITOBA

REV.NO

A7.23
 JOB NO
13-168-01-14

THE GENERAL CONTRACTOR SHALL BE RESPONSIBLE FOR THE PROTECTION OF ALL UTILITIES AND SERVICES TO REMAIN. THE CONTRACTOR SHALL BE RESPONSIBLE FOR THE PROTECTION OF ALL UTILITIES AND SERVICES TO REMAIN. THE CONTRACTOR SHALL BE RESPONSIBLE FOR THE PROTECTION OF ALL UTILITIES AND SERVICES TO REMAIN.



KEYNOTES:

- | | |
|--|--|
| <p>01 FLOPE FLOOR TO DRAIN</p> <p>02 FLOOR DRAIN C/W SECURITY SCREWS - REFER TO MEACHANICAL DRAWINGS</p> <p>03 SECURITY SLEEVE - GROUT IN FRAME</p> <p>04 THREE, 200mm HIGH DIGITS PAINTED ON WALL 200mm BELOW GLASS BLOCK, AS DIRECTED BY OWNER</p> | <p>05 EPOXY SEALANT, FULL PERIMETER OF FRAME, EACH SIDEM AND TOP OF HEADER CARRIAGE BOLTS</p> <p>06 15M REBAR IN VOID, SURROUNDING FRAME. HIGH YIELD MORTAR FILL AROUND REBAR, AND 2 MORE VOIDS, SURROUNDING FRAME</p> <p>07 15M VERTICAL REBAR, FROM FLOOR TO CONCRETE CEILING. HIGH YIELD MORTAR FILLED VOID - REFER TO STRUCTURAL</p> |
|--|--|



PROJECT TITLE
ISLAND LAKE FACILITY BUILDING

SHEET TITLE
HOLDING CELL FLOOR PLAN

REV.NO

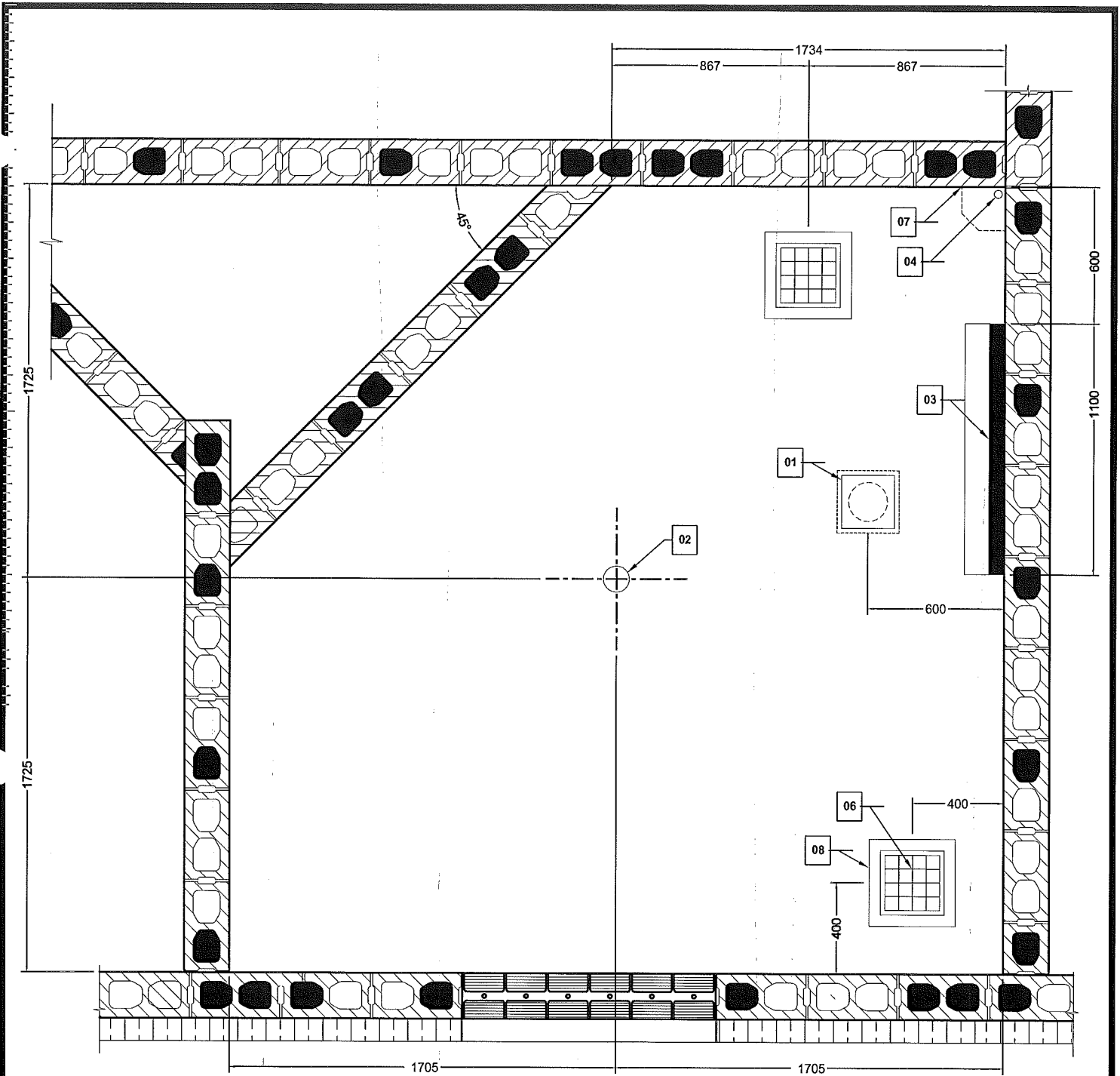
DATE (YY MM DD) SCALE DRAWN BY CHECKED BY
 14 03 21 N.T.S RS RS

A7.24

LOCATION
 ISLAND LAKE, MANITOBA

JOB NO
13-168-01-14

ENGINEERING AND DRAFTING
 1940 MAIN STREET, WINNIPEG, MANITOBA TEL (204) 943-7222 FAX (204) 947-6717



KEYNOTES:

** COORDINATE LOCATION OF ALL COMPONENTS WITH MECHANICAL & ELECTRICAL

- 01 SMOKE DETECTOR & SECURITY CAGE. FILL GAPS BETWEEN MOUNTING PLATE AND CEILING WITH EPOXY SEALANT
- 02 SPRINKLER
- 03 LIGHT FIXTURE. EPOXY SEALANT TO PERIMETER
- 04 SUPPLY & INSTALL BATKO HOUSING AS PER DRAWING E3.1 NOTE 10

- 05 SECURE E/A GRILLE
- 06 SECURE S/A GRILLE
- 07 EPOXY SEALANT TO PERIMETER OF CCVE BRACKET
- 08 EPOXY SEALANT, TO PERIMETER OF FLANGE

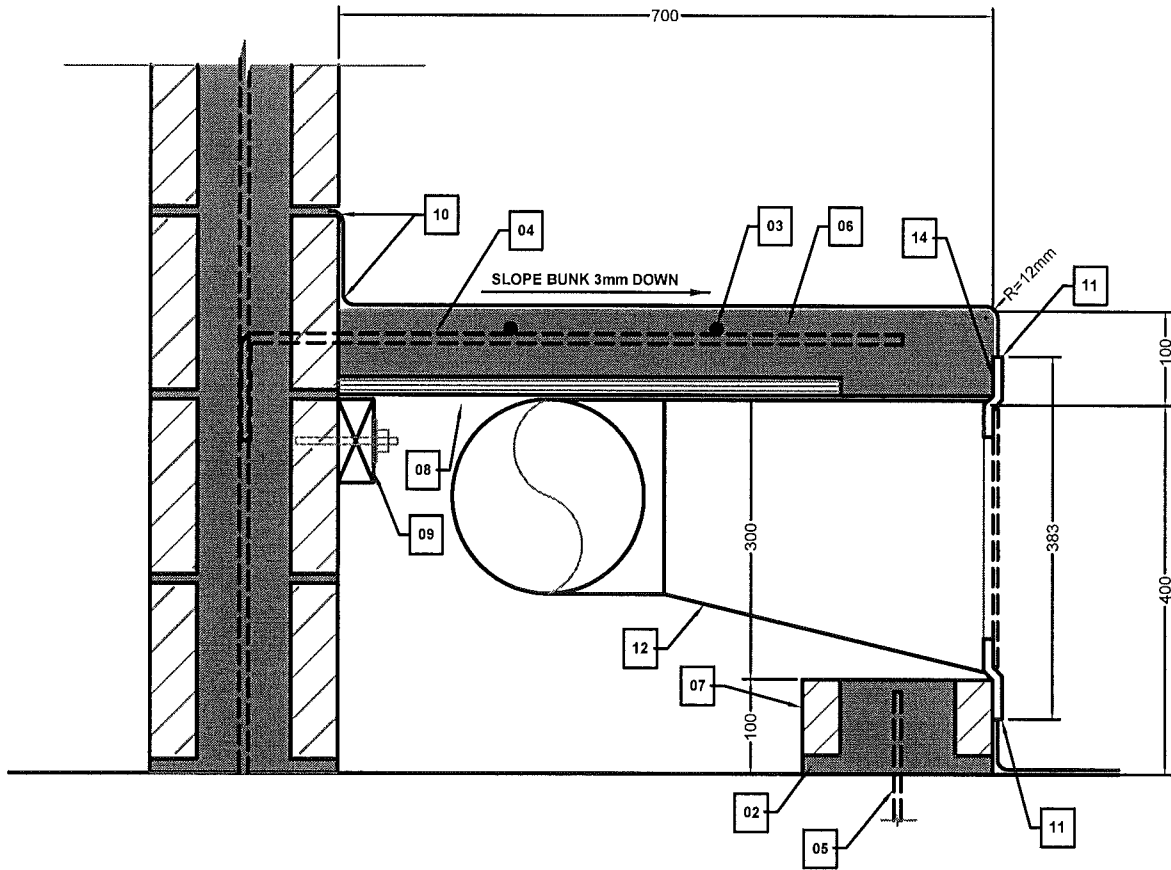
can tec

 ENGINEERING AND DRAFTING
 1948 MAIN STREET, WINNIPEG, MANITOBA Tel: (204) 943-7222 Fax: (204) 947-6717

PROJECT TITLE: ISLAND.LAKE.FACILITY.BUILDING
 SHEET TITLE: HOLDING CELL REFLECTED CEILING PLAN
 DATE (YY MM DD): 14 03 21 SCALE: N.T.S. DRAWN BY: RS CHECKED BY: RS
 LOCATION: ISLAND LAKE, MANITOBA

REV.NO
A7.25
 JOB NO.
13-168-01-14

THIS DRAWING IS THE PROPERTY OF CAN TEC ENGINEERING AND DRAFTING. IT IS TO BE USED ONLY FOR THE PROJECT AND SITE SPECIFICALLY IDENTIFIED HEREIN. ANY REUSE OR REPRODUCTION OF THIS DRAWING WITHOUT THE WRITTEN PERMISSION OF CAN TEC ENGINEERING AND DRAFTING IS STRICTLY PROHIBITED. THE USER ASSUMES ALL LIABILITY FOR ANY ERRORS OR OMISSIONS. CAN TEC ENGINEERING AND DRAFTING ACCEPTS NO LIABILITY FOR ANY DAMAGES, INCLUDING CONSEQUENTIAL DAMAGES, ARISING FROM THE USE OF THIS DRAWING.



KEYNOTES:

- | | |
|---|--|
| <p>01 LINE OF FLOOR</p> <p>02 CONCRETE FILL BLOCK CORE AS SHOWN</p> <p>03 #10m CONTINUOUS REBAR @ 250 O.C.</p> <p>04 #10m REBAR @ 400 O.C.</p> <p>05 #10m DOWELS @ 400 O.C. - ANCHORED INTO FLOOR</p> <p>06 CONCRETE OVER PLYWOOD</p> <p>07 CONCRETE UNIT MASONRY</p> | <p>08 19mm TREATED PLYWOOD. CUT BACK FROM FACE OF BUNK</p> <p>09 38X89 TREATED CONTINUOUS WOOD BLOCKING C/W 16mmØ ANCHOR BOLTS @ 400mm O.C.</p> <p>10 SEAMLESS EPOXY QUARTZ FLOORING, TURNED INTO RAKED FIRST JOINT</p> <p>11 APPLY EPOXY SEALANT TO CREATE A 45° BEVEL. (NO SHARP CORNERS ALLOWED)</p> <p>12 MECHANICAL DUCTWORK (SLOPED UP TO TOWARDS U/S BUNK CONNECTING WITH PLENUM BOX) REFER TO MECHANICAL DRAWINGS FOR EXACT SIZES</p> <p>13 SECURE SUPPLY AIR GRILLE - REFER TO MECHANICAL DRAWINGS</p> <p>14 GRIND FACE OF BLOCK AND CONCRETE, FULL PERIMETER, TO ALLOW A TIGHT INSTALL OF THE GRILLE</p> |
|---|--|



PROJECT TITLE
ISLAND LAKE FACILITY BUILDING

SHEET TITLE
CELL BUNK AT MECHANICAL GRILL

REV.NO

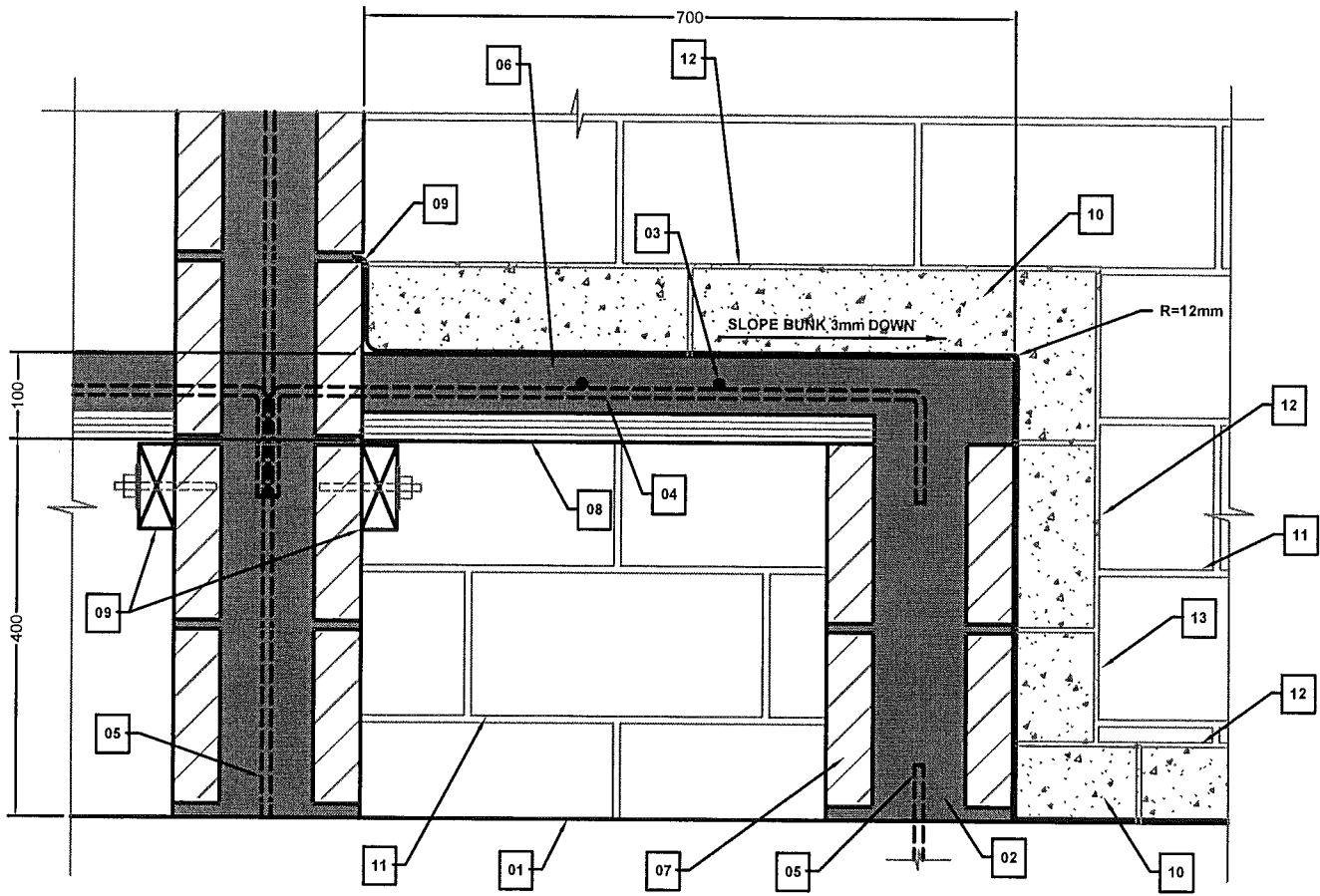
DATE (YY MM DD) SCALE DRAWN BY CHECKED BY
 14 03 21 N.T.S. RS RS

A7.26

ENGINEERING AND DRAFTING
 1943 MAIN STREET, WINNIPEG, MANITOBA Tel: (204) 943-7222 Fax: (204) 947-6717

LOCATION
 ISLAND LAKE, MANITOBA

JOB NO
13-168-01-14



KEYNOTES:

- | | |
|--|--|
| <ul style="list-style-type: none"> 01 LINE OF FLOOR 02 CONCRETE FILL BLOCK CORE AS SHOWN 03 #10m CONTINUOUS REBAR @ 250 O.C. 04 #10m REBAR @ 400 O.C. 05 #10m DOWELS @ 400 O.C. - ANCHORED INTO FLOOR 06 CONCRETE OVER PLYWOOD 07 CONCRETE UNIT MASONRY | <ul style="list-style-type: none"> 08 19mm TREATED PLYWOOD. 09 38X89 TREATED CONTINUOUS WOOD BLOCKING C/W 16mmØ ANCHOR BOLTS @ 400mm O.C. 10 SEAMLESS EPOXY QUARTZ FLOORING, TURNED INTO RAKED FIRST JOINT 11 CONCRETE BLOCK STARTER COURSE 12 RAKED BLOCK JOINT, FOR EPOXY QUARTZ FLOOR 13 CUT BLOCK TO CREATE A JOINT, TO BE RAKED |
|--|--|



PROJECT TITLE
ISLAND.LAKE.FACILITY.BUILDING

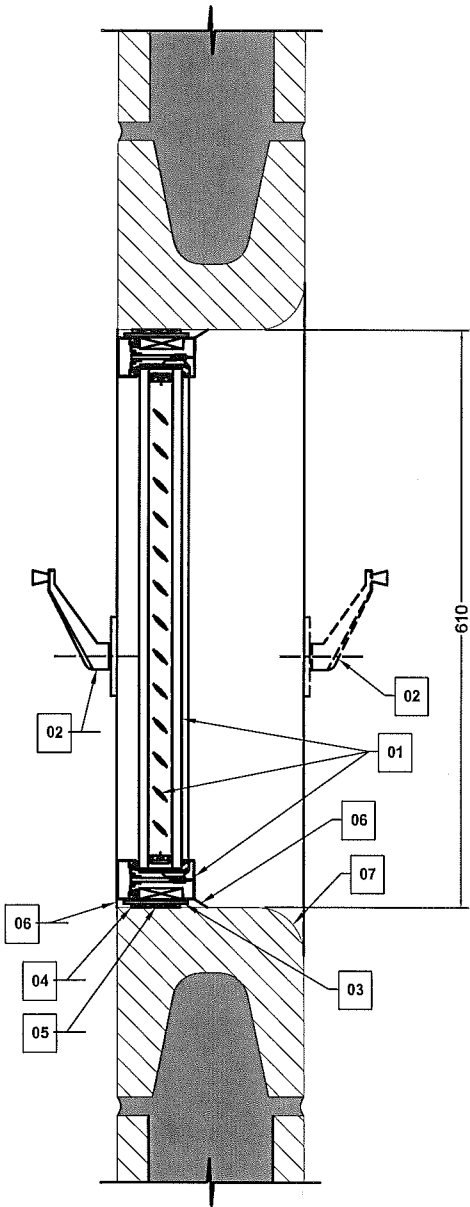
SHEET TITLE
TYPICAL CELL BUNK

DATE (YYMMDD) SCALE DRAWN BY CHECKED BY
 14 03 21 N.T.S RS RS

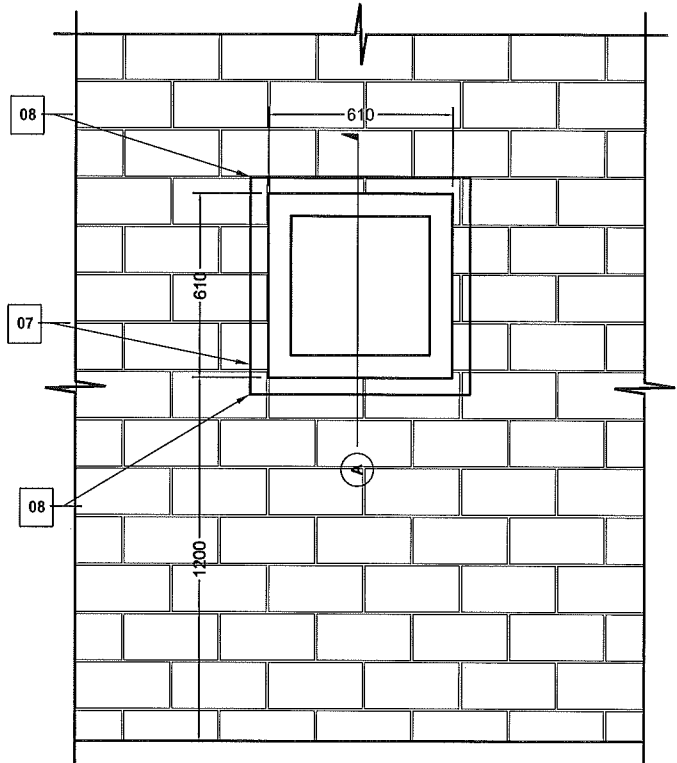
LOCATION
 ISLAND LAKE, MANITOBA

REV.NO

A7.27
 JOB NO
13-168-01-14



A SECTION A
 U28/028 SCALE: N.T.S



KEYNOTES:

- 01 PRE-MANUFACTURED ACOUSTIC WINDOW - REFER TO SPECIFICATIONS
- 02 CRANK HANDLE (REMOVABLE AND OPERABLE FROM EITHER SIDE OF WINDOW FRAME)
- 03 ANCHORING, AS PER MANUFACTURERS INSTRUCTIONS
- 04 SHIMS
- 05 ACOUSTIC SEALANT
- 06 SECURITY SEALANT (EPOXY SEALANT)
- 07 SINGLE BULL-NOSE CONCRETE MASONRY UNIT, FULL PERIMETER
- 08 MODIFY CONCRETE BLOCK, AT CORNERS TO MATCH SINGLE BULL-NOSE FRAMING OPENING



1948 MAIN STREET, WINNIPEG, MANITOBA Tel: (204) 943-7222 Fax: (204) 947-8717

PROJECT TITLE: ISLAND LAKE FACILITY BUILDING - ROOM 134

REV. NO

SHEET TITLE: ACOUSTIC WINDOW - ELEVATION AND SECTION

DATE (YY MM DD): 14 03 21

SCALE: N.T.S

DRAWN BY: RS

CHECKED BY: RS

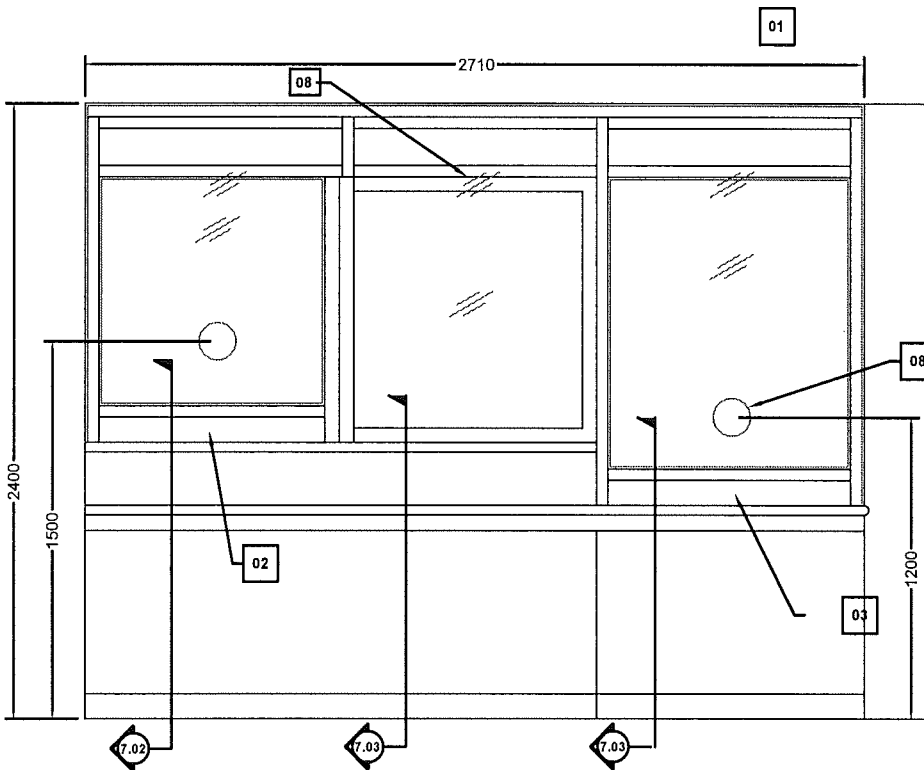
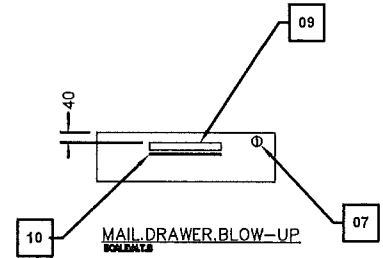
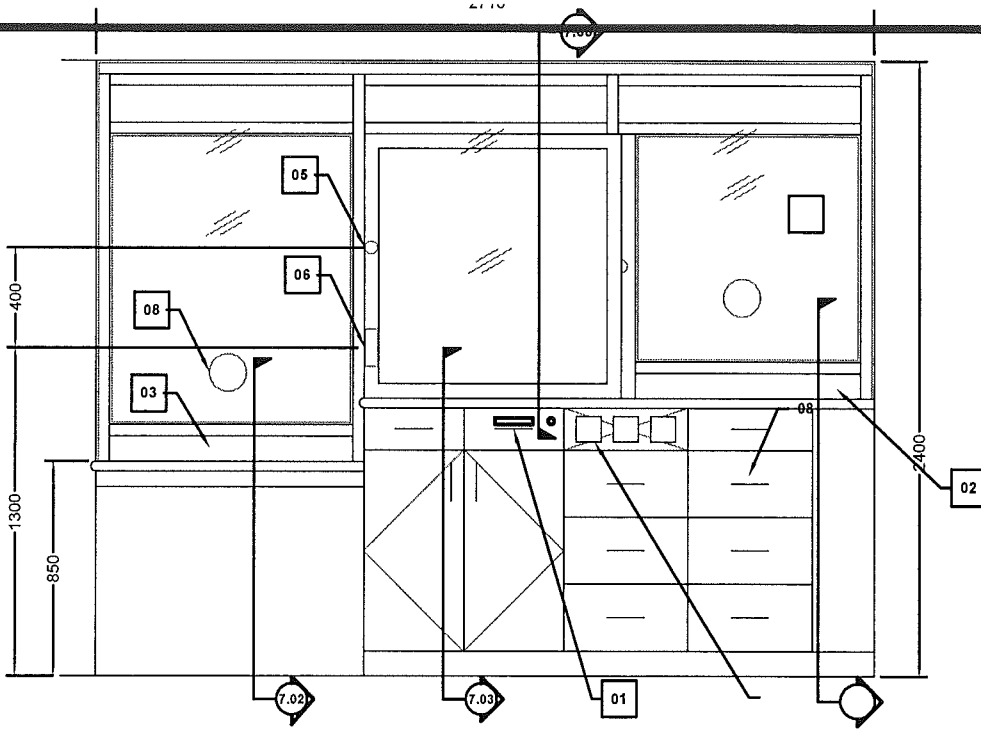
LOCATION: ISLAND LAKE, MANITOBA

A7.28

JOB NO. 13-168-01-14

THIS DRAWING MUST NOT BE SCALE.
 THE GENERAL CONTRACTOR SHALL VERIFY ALL DIMENSIONS AND CONDITIONS OF WORK AND IS HELD RESPONSIBLE FOR ANY DISCREPANCIES OR OMISSIONS TO WHICH SERVICES LTD. AGREES.
 THIS DRAWING IS THE EXCLUSIVE PROPERTY OF SERVICES LTD. AND IS NOT TO BE REPRODUCED OR TRANSMITTED IN ANY FORM OR BY ANY MEANS, ELECTRONIC OR MECHANICAL, INCLUDING PHOTOCOPYING, RECORDING, OR BY ANY INFORMATION STORAGE AND RETRIEVAL SYSTEM, WITHOUT THE WRITTEN PERMISSION OF SERVICES LTD.

<http://www.cantecservice.ca/>



ELEVATION.A
WORLDWIDE

KEYNOTES:

- 01 SUBSTITUTE ONE DRAWER WITH A REMOVABLE FIXED PANEL - REFER TO ELECTRICAL
- 02 PASS - THRU AT HIGH COUNTER HEIGHT
- 03 PASS - THRU AT WHEELCHAIR ACESIBLE COUNTER
- 04 ALUMINUM EXTRUSION, TO CONTINUE ACROSS SLIDER OPEING
- 05 THUMB TURN, HOOK BOLT, LOCK
- 06 RECESSED HAND PULL
- 07 DRAWER LOCK
- 08 RECEPTION COUNTER SPEAKER DISC
- 09 152mm X 25mm ENVELOPE SLOT
- 10 D-PULL
- 11 MAIL DRAWER - REFER TO BLOW-UP

ELEVATION.B
WORLDWIDE



PROJECT TITLE
ISLAND.LAKE.FACILITY.BUILDING

SHEET TITLE
RECEPTION COUNTER ELEVATIONS

DATE (YY MM DD) SCALE DRAWN BY CHECKED BY
14 03 21 N.T.S RS RS

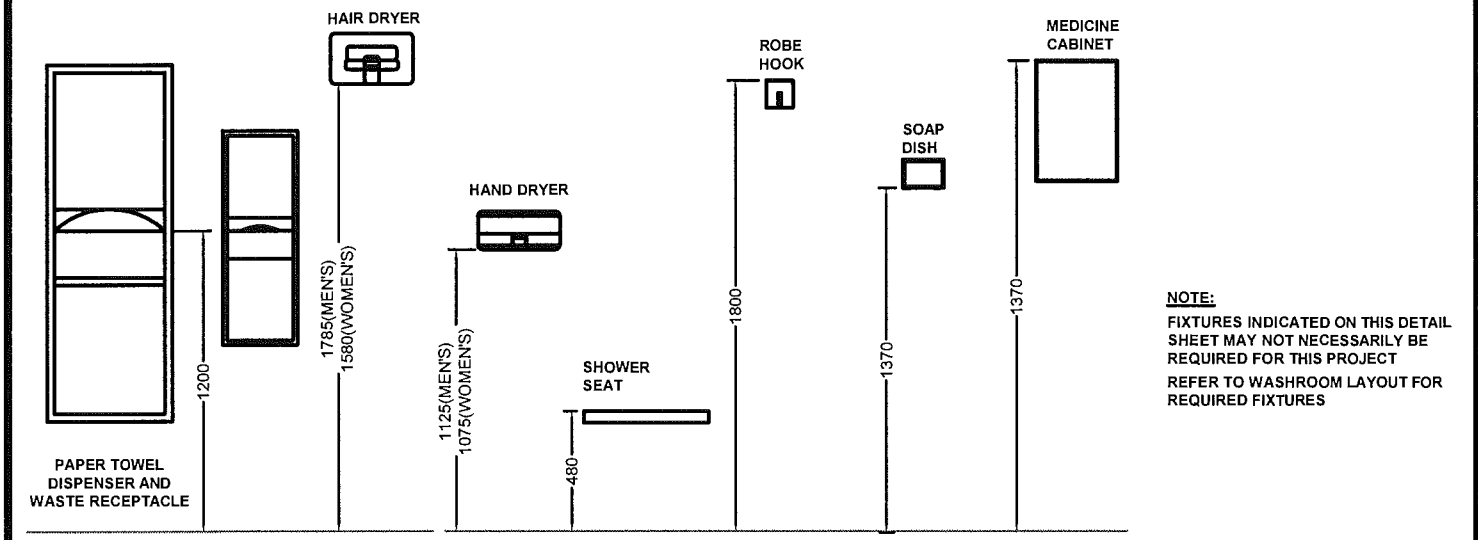
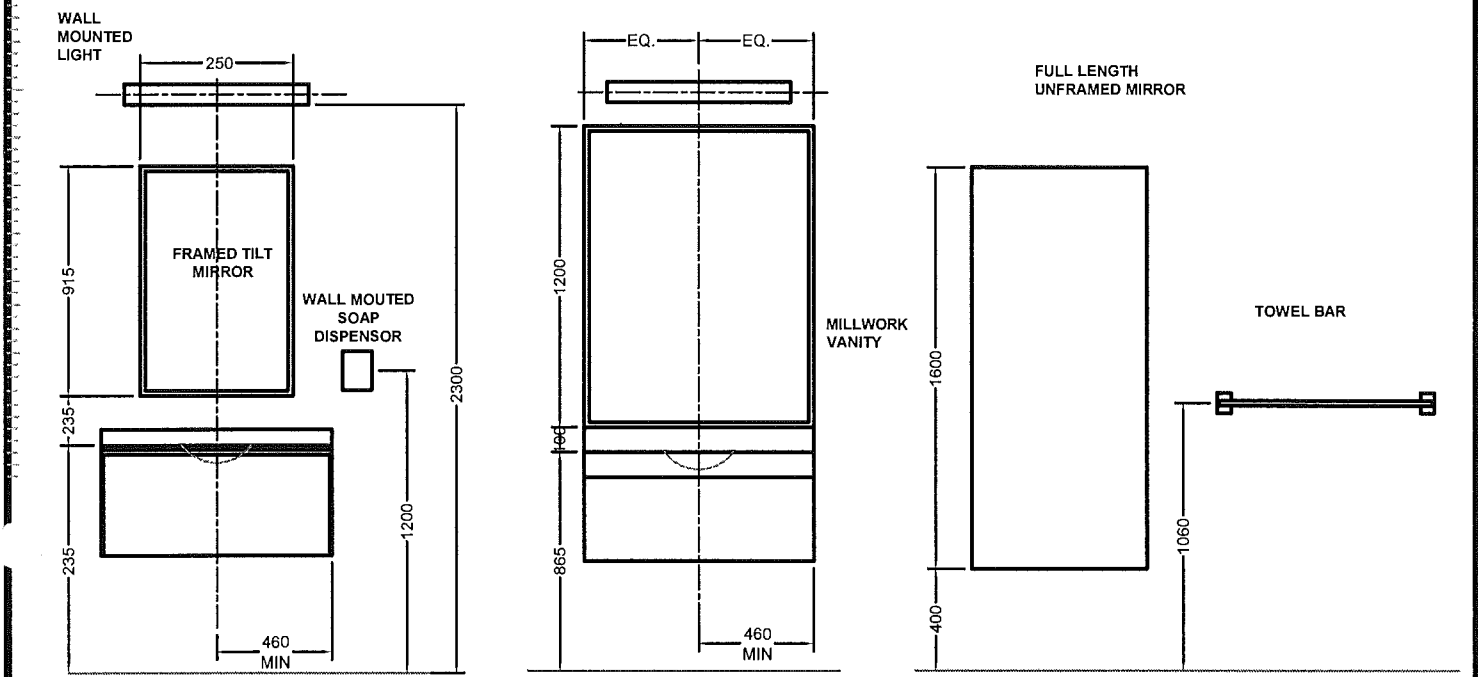
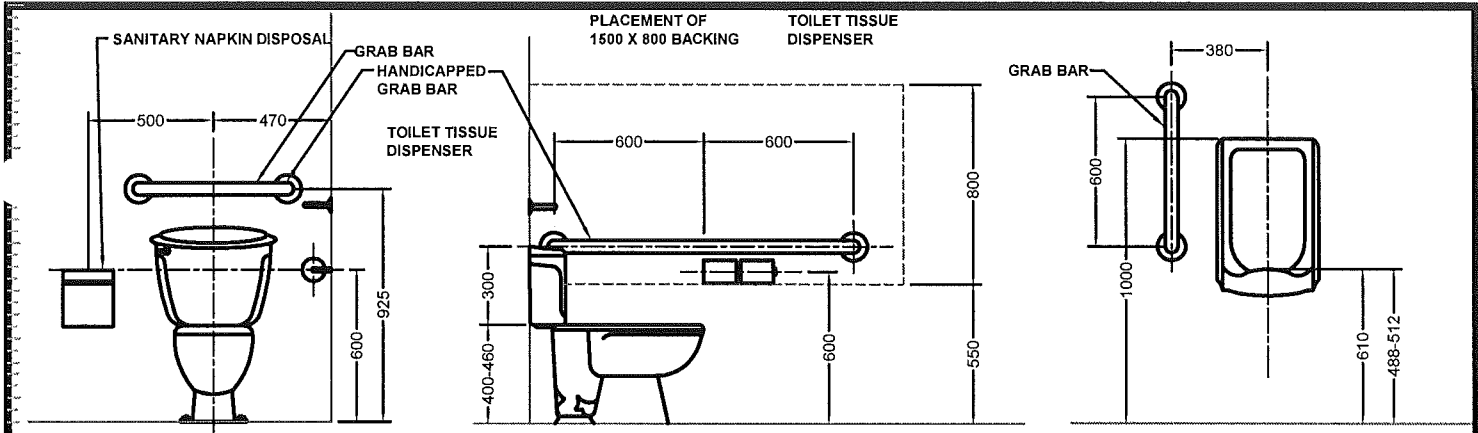
LOCATION
ISLAND LAKE, MANITOBA

REV.NO

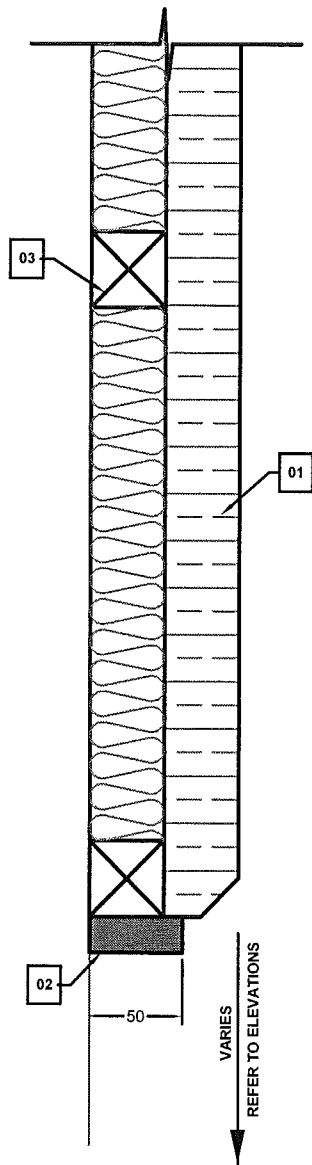
A7.29

JOB NO
13-168-01-14

ENGINEERING AND DRAFTING
1943 MAIN STREET, WINNIPEG, MANITOBA Tel: (204) 943-7222 Fax: (204) 947-8717



NOTE:
 FIXTURES INDICATED ON THIS DETAIL SHEET MAY NOT NECESSARILY BE REQUIRED FOR THIS PROJECT
 REFER TO WASHROOM LAYOUT FOR REQUIRED FIXTURES



KEYNOTES:

- 01** ACOUSTIC WALL TREATMENT
- 02** 19 X 50 HARDWOOD EDGE TO BOTTOM OF ACOUSTICAL PANEL MOUNTING - STAINED
- 03** TECTUM ACOUSTIC PANELS C-40 MOUNTING



PROJECT TITLE
ISLAND LAKE FACILITY BUILDING

SHEET TITLE
TECTUM PANEL EDGE

DATE (YYMMDD)
 14 03 21

SCALE
 N.T.S

DRAWN BY
 RS

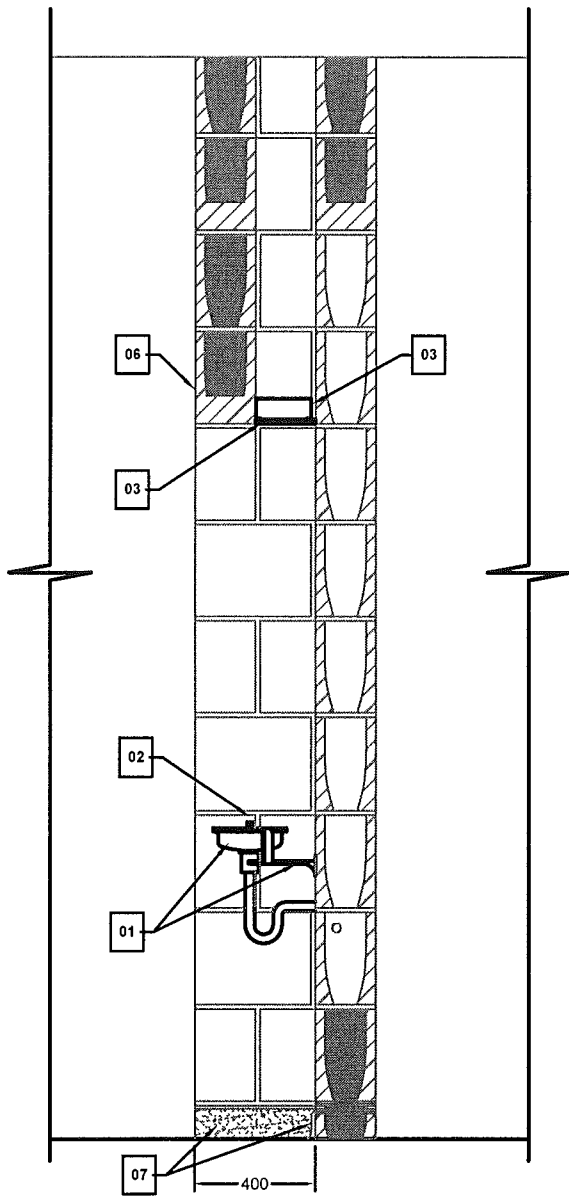
CHECKED BY
 RS

LOCATION
 ISLAND LAKE, MANITOBA

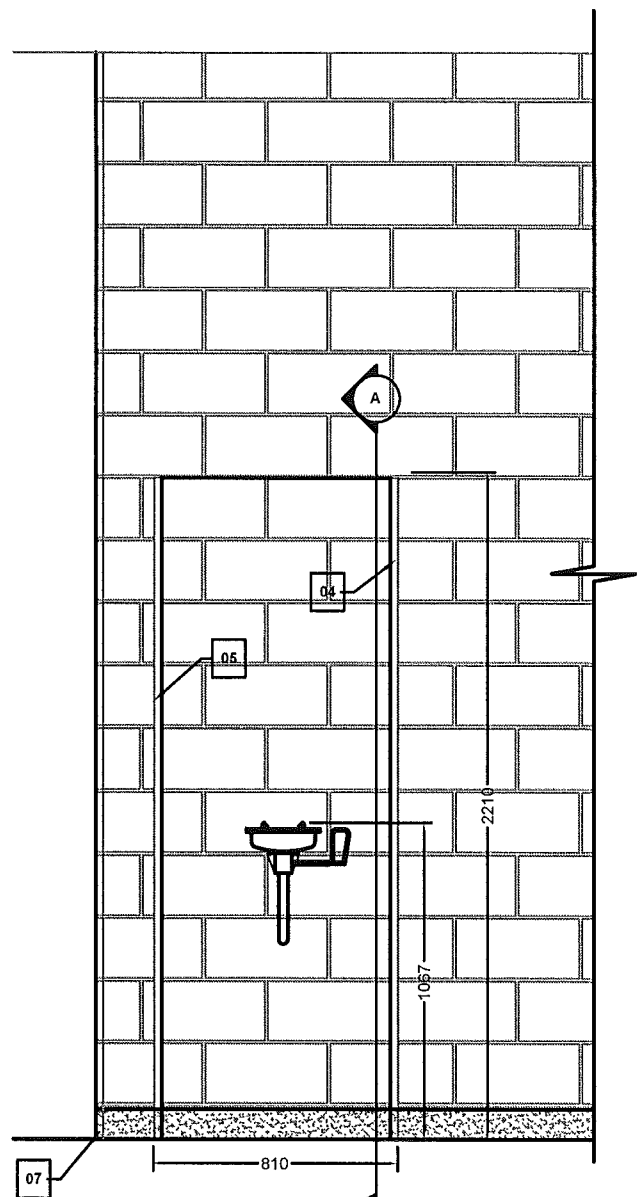
REV.NO

A7.32

JOB NO
13-168-01-14



A SECTION A
SCALE: N.T.S



ELEVATION
SCALE: N.T.S

KEYNOTES:

- | | |
|--|--|
| 01 EYEWASH STATION - WALL MOUNTED | 05 DOUBLE BULLNOSE BLOCK, FULL HEIGHT |
| 02 EYEWASH FOUNTAIN | 06 190 CONCRETE LINTEL BLOCK - GROUT FILLED |
| 03 13mm G1S PLYWOOD - PAINTED ON 92mm METAL STUDS | 07 EPOXY BASE |
| 04 SINGLE BULLNOSE BLOCK, FULL HEIGHT | |



PROJECT TITLE
ISLAND LAKE FACILITY BUILDING

SHEET TITLE
EYEWASH STATION - ELEVATION AND SECTION

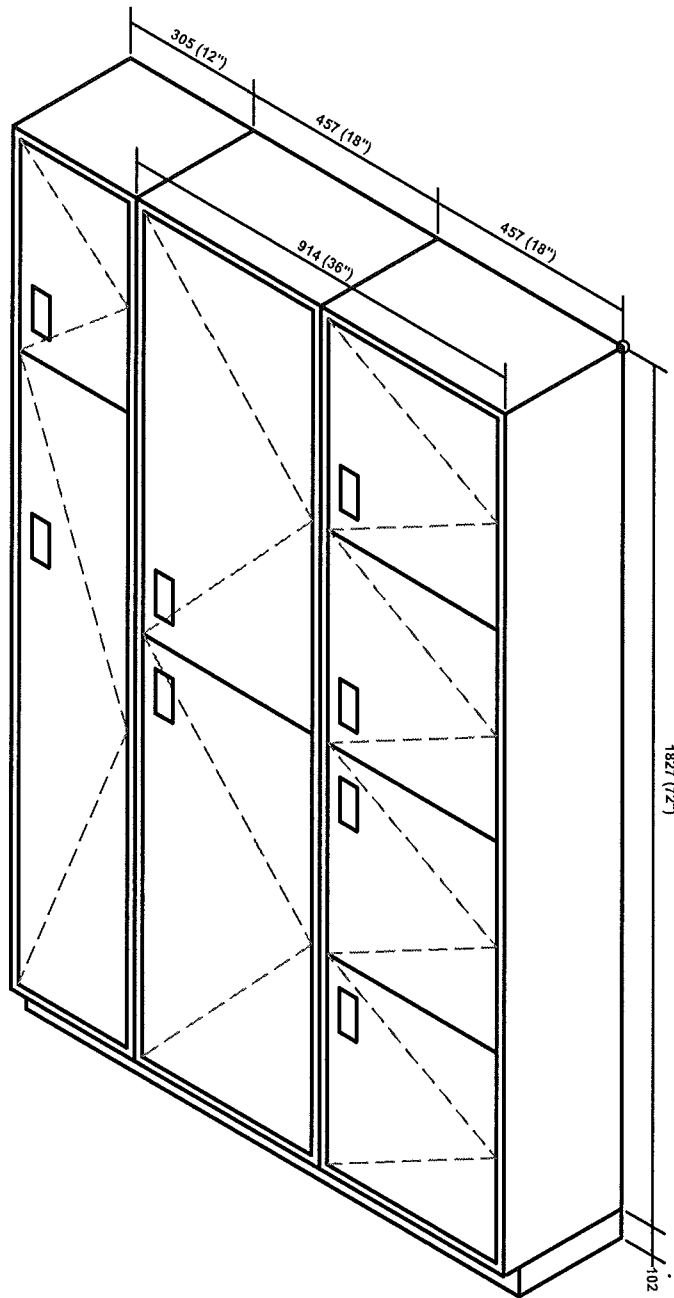
DATE (YY MM DD) SCALE DRAWN BY CHECKED BY
14 03 21 N.T.S RS RS

LOCATION
ISLAND LAKE, MANITOBA

REV.NO

A7.33

JOB NO
13-168-01-14



PROJECT TITLE
ISLAND LAKE FACILITY BUILDING

SHEET TITLE
EVIDENCE LOCKERS

DATE (YY MM DD)
14 03 21

SCALE
N.T.S

DRAWN BY
RS

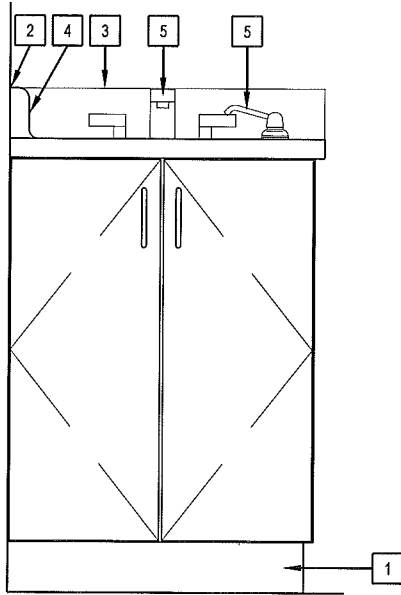
CHECKED BY
RS

LOCATION
ISLAND LAKE, MANITOBA

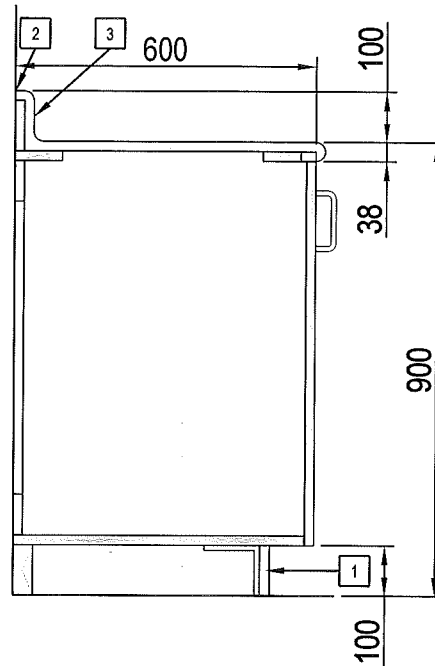
REV.NO

A7.35

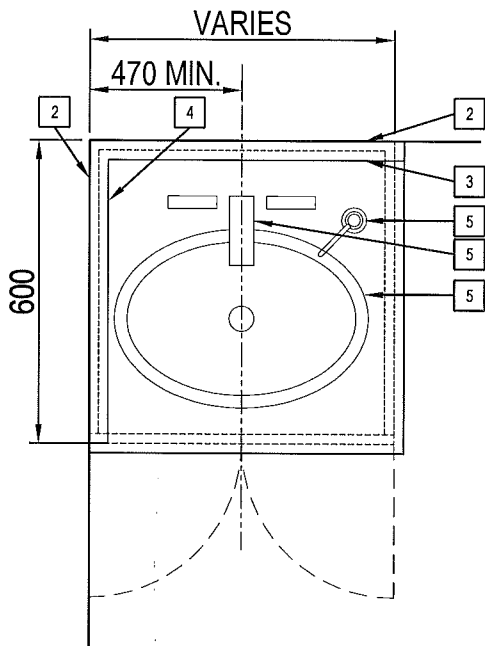
JOB NO
13-168-01-14



SECTION TYPE A
SCALE: 1:10



SECTION TYPE A
SCALE: 1:10



KEYNOTES:

- 1 RESILIENT BASE (100mm)
- 2 SEALANT @ ALL JOINTS
- 3 PLANTED STOCK BACKSPASH
- 4 SIDESPLASH @ CORNER LOCATIONS (IF APPLIES)
- 5 FIXTURES AS PER INTERIOR ELEVATIONS



1948 MAIN STREET, WINNIPEG, MANITOBA Tel: (204) 943-7222 Fax: (204) 947-8717

PROJECT TITLE
ISLAND LAKE FACILITY BUILDING

SHEET TITLE
600mm DEEP BATHROOM BASE CABINET

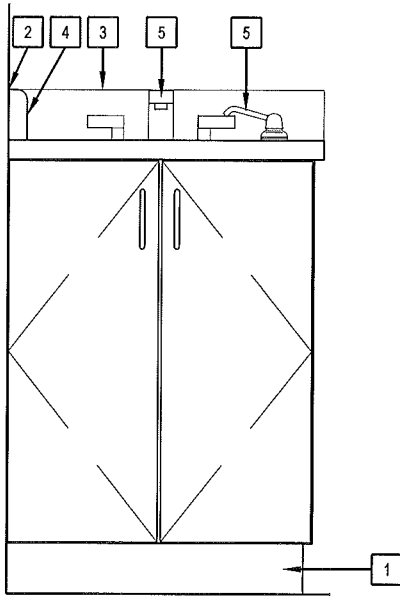
DATE (YY MM DD) 14 03 21 SCALE 1:15 DRAWN BY RS CHECKED BY RS

LOCATION
ISLAND LAKE, MANITOBA, CANADA

PROJECT TITLE
00

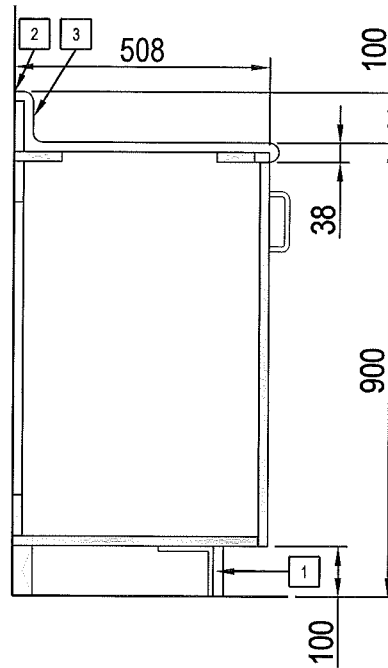
A7.36
JOB NO.
13-168-01-14

THIS DRAWING IS THE PROPERTY OF CAN TEC ENGINEERING AND DRAFTING. IT IS TO BE USED ONLY FOR THE PROJECT AND LOCATION SPECIFICALLY IDENTIFIED HEREON. IT IS NOT TO BE REPRODUCED, COPIED, OR TRANSMITTED IN ANY FORM OR BY ANY MEANS, ELECTRONIC OR MECHANICAL, INCLUDING PHOTOCOPYING, RECORDING, OR BY ANY INFORMATION STORAGE AND RETRIEVAL SYSTEM, WITHOUT THE WRITTEN PERMISSION OF CAN TEC ENGINEERING AND DRAFTING.



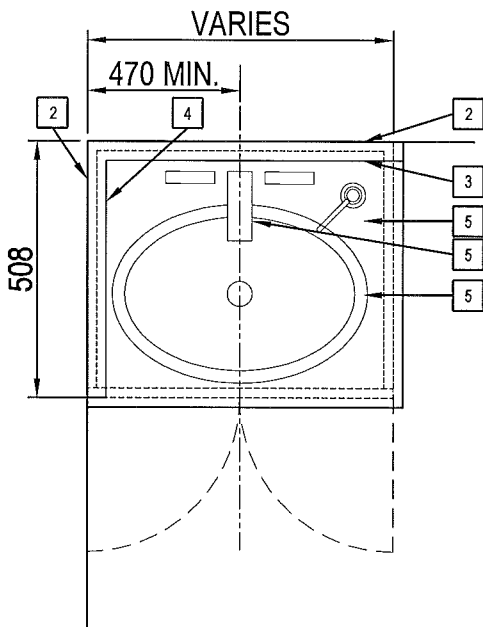
SECTION TYPE A

SCALE: 1:10



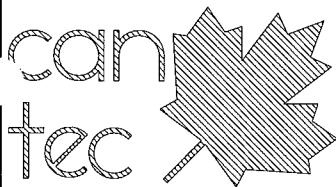
SECTION TYPE A

SCALE: 1:10



KEYNOTES:

- 1 RESILIENT BASE (100mm)
- 2 SEALANT @ ALL JOINTS
- 3 PLANTED STOCK BACKSPASH
- 4 SIDESPLASH @ CORNER LOCATIONS (IF APPLIES)
- 5 FIXTURES AS PER INTERIOR ELEVATIONS



ENGINEERING AND DRAFTING

PROJECT TITLE
ISLAND LAKE FACILITY BUILDING

SHEET TITLE
508mm DEEP BATHROOM BASE CABINET

DATE (YY MM DD)
14 03 21

SCALE
1:15

DRAWN BY
RS

CHECKED BY
RS

LOCATION
ISLAND LAKE, MANITOBA, CANADA

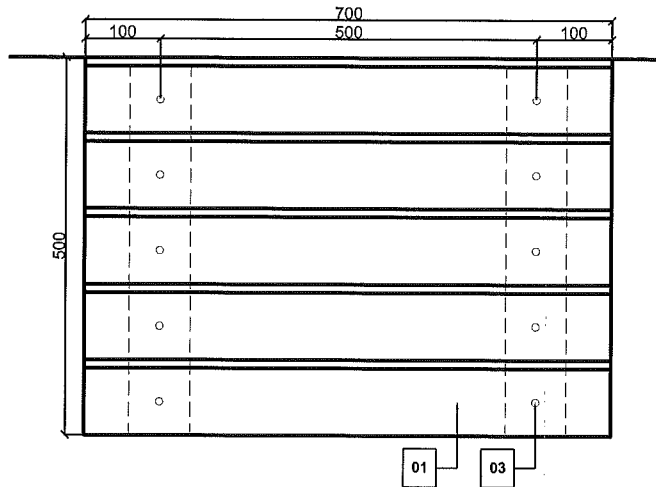
PROJECT TITLE
00

A7.37

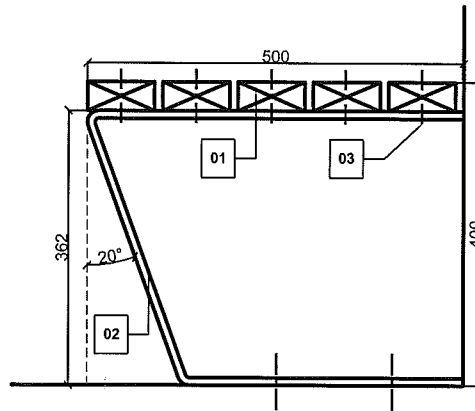
JOB NO.
13-168-01-14

THIS DRAWING MUST NOT BE SCALED.
 THE GENERAL CONTRACTOR SHALL VERIFY ALL DIMENSIONS AND CONDITIONS OF WORK AND FIELD DISCREPANCIES OR OMISSIONS TO COMPLETE SERVICES TO THE WORKMANSHIP.
 THIS DRAWING IS THE EXCLUSIVE PROPERTY OF CANTEC ENGINEERING AND DRAFTING. NO PART OF THIS DRAWING IS TO BE REPRODUCED OR TRANSMITTED IN ANY FORM OR BY ANY MEANS, ELECTRONIC OR MECHANICAL, WITHOUT THE WRITTEN PERMISSION OF CANTEC ENGINEERING AND DRAFTING.

<http://www.cantecservices.ca/>



PUBLIC RECEPTION PLAN
SCALE: 1:10



BENCH SECTION
SCALE: 1:10

KEYNOTES:

- 01 38 X 89 HARDWOOD, EASE CORNERS - CLEAR LACQUER FINISH
- 02 100 X 6 STEEL FLATBAR SUPPORTS MAX 1200 O.C. BOLTED TO FLOOR - POWDER COAT FINISH
- 03 10mm COUNTERSUNK CARRIAGE BOLTS



ENGINEERING AND DRAFTING
1949 MAIN STREET, WINNIPEG, MANITOBA Tel: (204) 943-7222 Fax: (204) 947-5717

PROJECT TITLE
ISLAND LAKE FACILITY BUILDING

SHEET TITLE
PRISONER BENCH DETAIL

DATE (YYMMDD) SCALE DRAWN BY CHECKED BY
14 03 21 N.T.S. RS RS

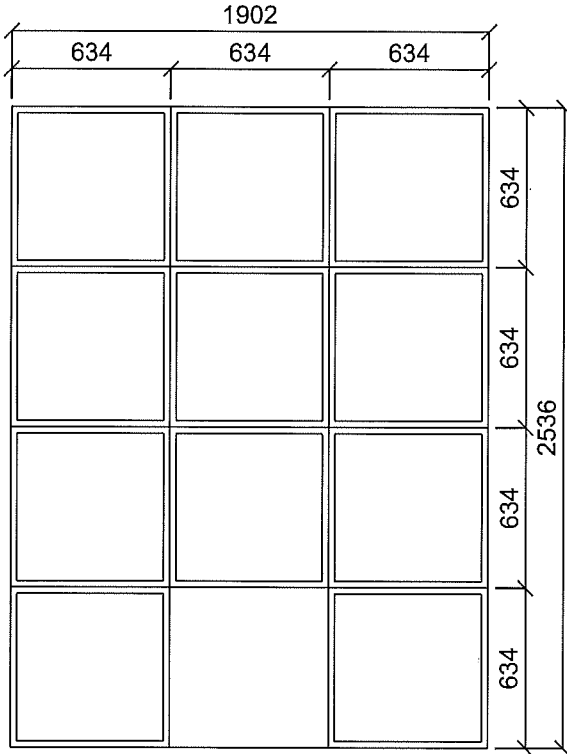
LOCATION
ISLAND LAKE, MANITOBA

REV.NO

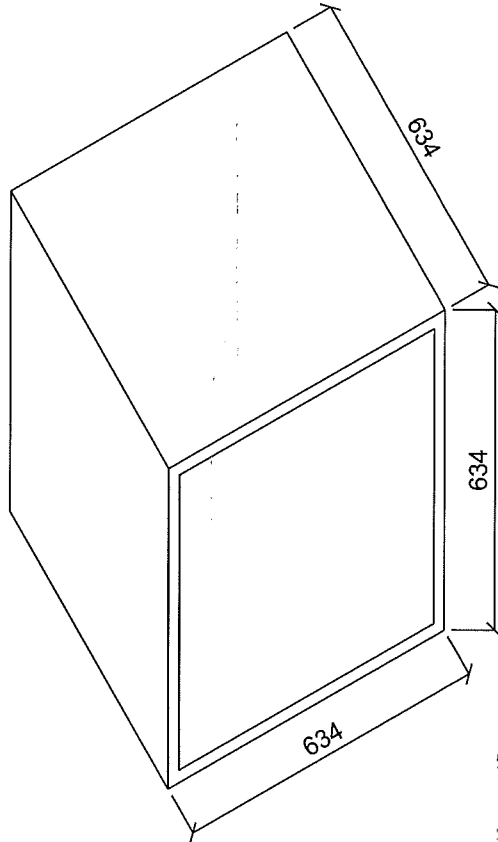
A7.38

JOB NO.

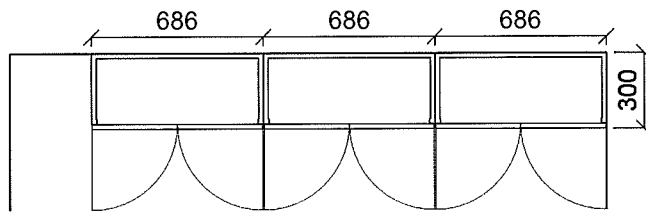
13-168-01-14



ROOM 109 STORAGE UNITS ELEVATION
SCALE: N.T.S



ROOM 109 STORAGE UNITS PERSPECTIVE
SCALE: N.T.S

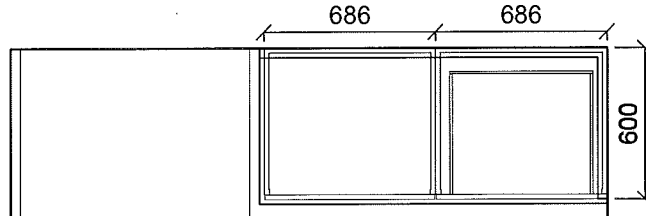


ROOM 104 UPPER CABINETRY

SCALE: 1:30

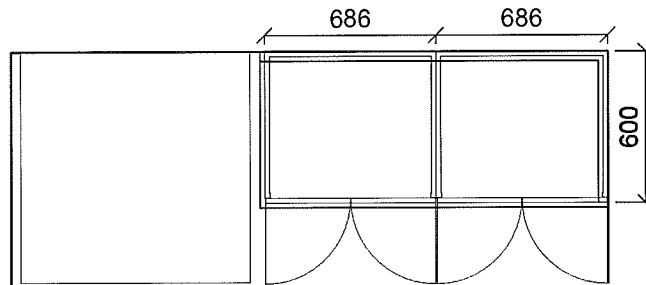
KEYNOTES:

- 1 RESILIENT BASE (100mm)
- 2 SEALANT @ ALL JOINTS
- 3 100mm BACKSPLASH
- 4 100mm SIDESPLASH @ CORNER LOCATIONS
- 5 REFRIDGERATOR



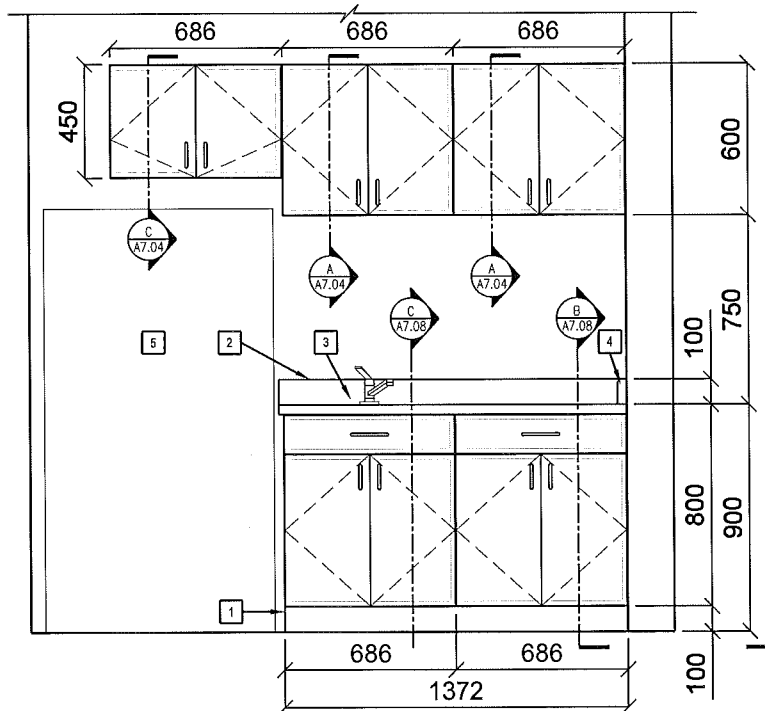
ROOM 104 BASE CABINETRY 1

SCALE: 1:30



ROOM 104 BASE CABINETRY 2

SCALE: 1:30



ROOM 104 CABINETRY ELEVATION

SCALE: 1:30



PROJECT TITLE
ISLAND LAKE FACILITY BUILDING

SHEET TITLE
ROOM 104 CABINETRY

DATE (YYMMDD) SCALE DRAWN BY CHECKED BY
14 03 21 NTS RS RS

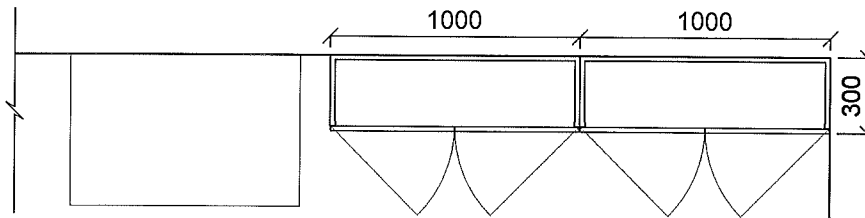
LOCATION
ISLAND LAKE, MANITOBA, CANADA

REVISION #: 00

A7.40

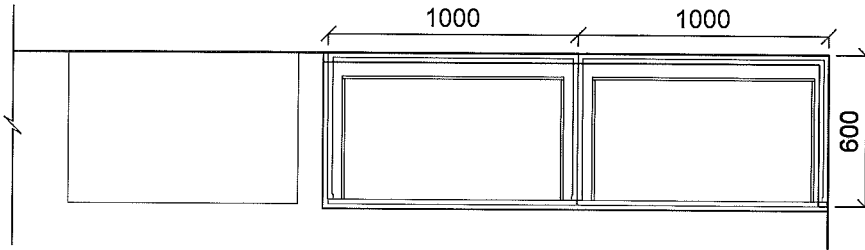
JOB NO.
13-168-01-14

THIS DRAWING IS NOT TO BE SCALE.
 THE GENERAL CONTRACTOR SHALL VERIFY ALL DIMENSIONS, UNITS AND SPECIFICATIONS TO BE SHOWN ON THIS DRAWING AND SHALL BE RESPONSIBLE FOR ANY DISCREPANCIES OR OMISSIONS. THE CONTRACTOR SHALL BE RESPONSIBLE FOR OBTAINING ALL NECESSARY PERMITS AND APPROVALS. THIS DRAWING IS THE PROPERTY OF CANTEC SERVICES LTD. AND SHALL REMAIN THE PROPERTY OF CANTEC SERVICES LTD. IF ANY PART OF THIS DRAWING IS REPRODUCED OR TRANSMITTED IN ANY FORM OR BY ANY MEANS, WITHOUT THE WRITTEN PERMISSION OF CANTEC SERVICES LTD.



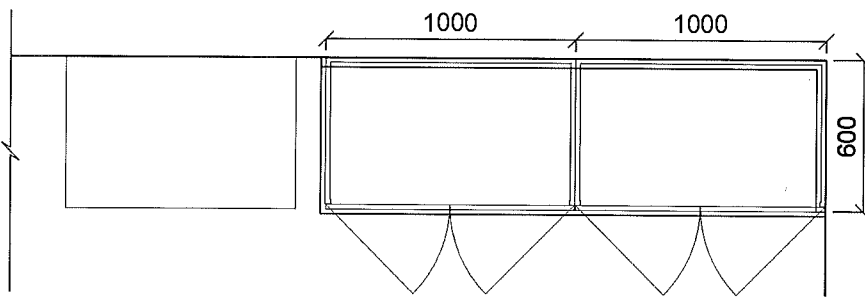
ROOM 137 UPPER CABINETRY

SCALE: 1:30



ROOM 137 BASE CABINETRY 1

SCALE: 1:30

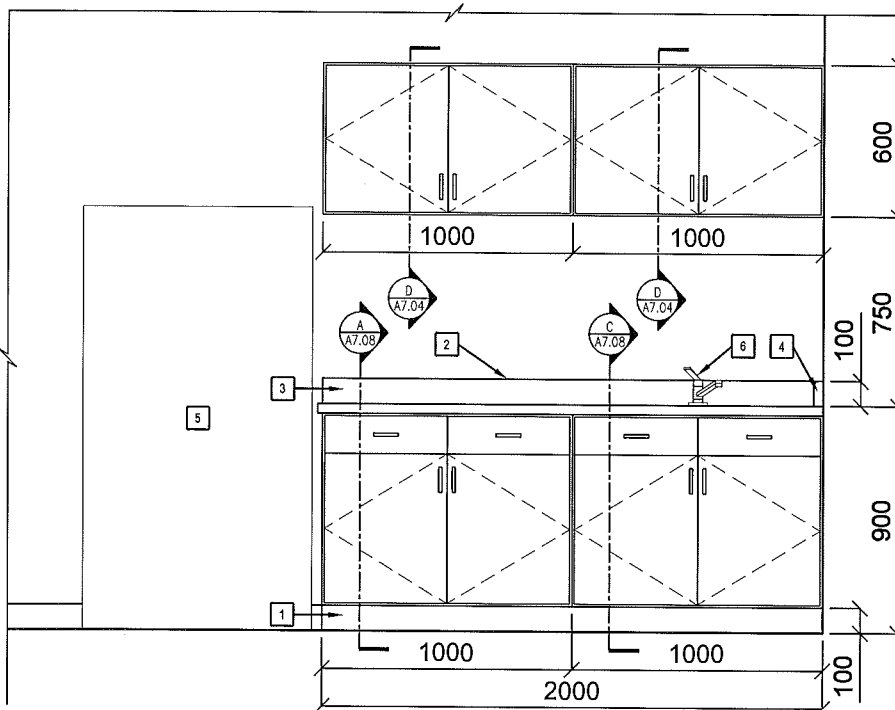


ROOM 137 BASE CABINETRY 2

SCALE: 1:30

KEYNOTES:

- 1 RESILIENT BASE (100mm)
- 2 SEALANT @ ALL JOINTS
- 3 100mm BACKSPLASH
- 4 100mm SIDESPLASH @ CORNER LOCATIONS
- 5 REFRIDGERATOR
- 6 FIXTURE



ROOM 137 CABINETRY ELEVATION

SCALE: 1:30



1948 MAIN STREET, WINNIPEG, MANITOBA Tel: (204) 943-7222 Fax: (204) 947-0717

PROJECT TITLE
ISLAND LAKE FACILITY BUILDING

SHEET TITLE
ROOM 137 CABINETRY

DATE (YY/MM/DD) 14 03 21 SCALE NTS DRAWN BY RS CHECKED BY RS

LOCATION
ISLAND LAKE, MANITOBA, CANADA

REVISION #: 00

A7.41
JOB NO. 13-168-01-14

THE DRAWING IS THE PROPERTY OF CAN TEC SERVICES LTD. ANY REUSE OR REPRODUCTION OF THIS DRAWING WITHOUT THE WRITTEN PERMISSION OF CAN TEC SERVICES LTD. IS PROHIBITED. THE ENGINEER/ARCHITECT/DESIGNER SHALL BE SOLELY RESPONSIBLE FOR THE ACCURACY OF THE INFORMATION PROVIDED TO THE CLIENT. THE GENERAL CONTRACTOR SHALL VERIFY ALL DIMENSIONS, DATA AND CONDITIONS TO BE RESPONSIBLE FOR THE ACCURACY OF THE INFORMATION PROVIDED TO THE CLIENT. CAN TEC SERVICES LTD. IS A MEMBER OF THE ENGINEERING AND DRAFTING PROFESSION.

RADIO TOWER CONSTRUCTION SPECIFICATIONS

Table of Contents

		Pages
1.0	GENERAL REQUIREMENTS	4
1.1	General	4
1.2	Instructions:	4
1.3	Safety Requirements	5
1.4	Site Layout	6
1.5	Detail Drawings	7
1.6	Quality Control	11
1.7	Temporary Facilities	13
1.8	Clean Up And Disposal	16
2.0	SITEWORK	17
2.1	Clearing and Grubing	17
2.2	Excavating and Backfill	18
2.3	Access Roads and Parking Areas	20
2.4	Rock Anchors	28
2.5	Compound Fencing	29
3.0	CAST IN PLACE CONCRETE	33
3.1	General	33
3.2	Test Reports	33
3.3	Products and Materials	33
3.4	Concrete Mixes	34
3.5	Execution and Workmanship	34
3.6	Form work	35
3.7	Reinforcement	35
3.8	Grouting of Base Plates	35
3.9	Curing and Protection of Concrete	36
3.10	Placement of Concrete	36
4.0	TOWER AND RELATED STRUCTURES	37
4.1	General	37
4.2	Tower Design	38
4.3	Antennas and Transmission Lines	40
4.4	Transmission Line Grounding	43
4.5	Materials	43
4.6	Connections	45
4.7	Workmanship	46
4.8	Marking	47
4.9	Punching	47
4.10	Welding	48
4.11	Handling of Material	48
4.12	Galvanizing	48
4.13	Painting	49
4.14	Erection	49
4.15	Reinforcing Steel	50
4.16	Grouting of Base Plates	50
4.17	Auxilliary Features	52
4.18	Working Area Platforms	52

4.19	Access to Obstruction Lights	52
4.20	Antenna Mountings	52
4.21	Transmission Line Supports	53
4.22	Ice Protection.....	53
4.23	Turnbuckles and Shackles	53
4.24	Bridge Sockets.....	54
4.25	Waveguide Bridge	54
4.26	Anti-climb Devices.....	54
4.27	Fall Arrest Safety Device	55
4.28	Warning Signs	55
4.29	Tower Demolition and Removal	56
5.0	ELECTRICAL	59
5.1	Grounding.....	59
5.2	Lighting and Power Supply	61
APPENDIX A	Error! Bookmark not defined. 8
Warning Signage	659

1.0 GENERAL REQUIREMENTS

1.1 General

1.1.1 This specification details the design, supply and installation of both self supporting and guyed communication towers, complete with antennas and transmission lines, for the use [REDACTED] at various locations throughout Canada. Depending on each site requirement, the contractor shall adhere to the appropriate aspect of each paragraph within this specification. (i.e.) self support or guyed tower.

1.1.2 The following list of acronyms and system definitions support this specification and shall be considered as supplemental information if not referred to in the text of this specification.

- (a) CSLL - Communication Structure Load List
- (b) CSS - Communication Structure Specification
- (c) CLC - Canadian Labor Code
- (d) [REDACTED] - [REDACTED]
- (e) Owner - [REDACTED]

- (f) Technical Authority - as identified in contract
- (g) Manager - [REDACTED]
- (h) CSA S37-01 - CSA Standard - Towers, Antennas and Antenna Supporting Structures
- (i) Vendor or Contractor - Company submitting proposals or awarded contract
- (j) CLC - Canadian Labor Code
- (h) Communication Structure - includes tower, antenna's, piers, guy lines and anchors, hardware, transmission lines, and lighting kits

1.2 Instructions:

1.2.1 This specification must be read in conjunction with any subsequent amendments to form part of this contract.

1.2.2 The information contained in this specification and /or any related respondent or correspondence shall not be released to a third party, nor used in any form of advertising or promotion, without the express written permission of the

1.2.3 Each Contractor shall examine and become familiar with the work, specifications and specification drawings of all other Contractors that may affect the Work of the Contractor.

1.2.4 The Contractor shall examine the work of all other contractors that may affect the Work of the Contract and shall immediately inform the Owner of any and all defects and

deficiencies in such other work. Failure to inform the Owner of such defects and deficiencies shall be deemed to be acceptance of the said work and constitute a waiver of all claims.

- 1.2.5 Project and site coordination meetings shall be held as required and if indicated in the SOW of the Project Specification or if specifically stated in the RFQ as an item of work. These meetings will be organized by the Owner who shall send out notices stating time and place to the Owner's Representative, Technical Authority, Contractors, Contractors and/or other persons whose presence is required. Attendance by the Contractor and his Sub-contractors is mandatory.
- 1.2.6 Minutes of meetings shall be taken by the Owner and will be submitted to all present at the meeting and to any other person, company, or organization as necessary.
- 1.2.7 Copies of the minutes shall be submitted on the understanding that if no objection to the contents of the said minutes are received by the Owner within two (2) working days of such submission then they will be deemed to be a true and accurate record of the meeting.

1.3 Safety Requirements

- 1.3.1 The successful contractor shall take adequate safety precautions throughout the period of his contract. He must include in his tender price the supply of all labor, materials, equipment and travelling expenses that would be necessary to fulfill this requirement and to be in conformance with all governing authorities as a minimum.
- 1.3.2 Observe and enforce the construction safety measures required of the various authorities having jurisdiction. Such authorities may include but are not limited to:
- a) The Canada Labor Code,
 - b) The Provincial Workers Compensation Board,
 - c) Safety Code 6 - Health and Welfare Canada.
 - d) Occupational Health and Safety Act and Regulations for Construction Projects.
 - e) Manager's Safety Policy
- 1.3.3 In the event of conflict between any provisions of the above authorities, the Federal statutes will take precedent.
- 1.3.4 Comply with the requirements of the Workplace Hazardous Materials Information System (WHMIS) regarding use, handling, storage and disposal of hazardous materials and regarding labeling and provision of material safety data sheets (MSDS) in accordance with jurisdictional authorities.
- 1.3.5 Deliver copies of Material Safety Data Sheets (MSDS) to the Owner on all products intended for use in the building and designated as a "controlled product."
- 1.3.6 When any equipment or personnel are operating or working within 10 meters of an AM radiator tower or other high energy insulated structure a spotter is required to ensure safe operation of the equipment and individual.

- 1.3.7 Adhere to municipal, provincial and national codes when blasting is required. No blasting caps will be permitted on site while radio frequency levels exist.
- 1.3.8 In keeping with the policies of, the Owner and the Canada Labor Code, regular safety meetings will be held on site; minutes will be prepared and distributed to all concerned.
- 1.3.9 Each contractor shall be expected to become fully involved in the formation of the safety committee and be fully supportive of any workers under his control who may be appointed to the various safety committees.

1.4 Site Layout

- 1.4.1 The Contractor shall establish at the site, by means of iron bars or wooden stakes, the location of the structure center, anchors and waveguide bridges. The tower Contractor shall take care to ensure that new buried anchors are a minimum of 7 meters from existing RCMP property boundaries.
- 1.4.2 All layout of tower anchors, base, waveguide bridges, etc., shall be completed by a competent trained individual, such as a Professional Engineer or Licensed Land Surveyor, licensed in the Province or Territory where the tower is located.
- 1.4.3 Tower, anchor and waveguide bridge layout must be approved by _____ or the authorized _____ representative prior to construction. Contractors shall note and carefully abide by any and all grade references set by _____
- 1.4.4 Contractor shall protect and preserve bench marks and reference points. Should any bench marks or reference points be disturbed or damaged while the Contractor is on site, the Contractor shall re-establish them at the Contractors cost, to the satisfaction of the Technical Authority.
- 1.4.5 Layout additional reference points, batter boards or offsets as required for the construction of anchors and foundations.
- 1.4.6 Establish guy anchor working points to suit the actual ground elevations.
- 1.4.7 New guys shall not interfere with any guys, antennas, or attachments on existing structures.
- 1.4.8 The new tower shall be located so as to optimize antenna placement as determined by the RCMP.
- 1.4.9 Tolerances
- 1.4.9.1 Elevations to underside of base plates +/- 12 mm as indicated on drawings on self supporting towers. All guyed tower base plates shall be level.
- 1.4.9.2 Location of guy working points +/- 2° off resultant line of action for the anchor shaft. Lateral location to be +/- 150 mm, out of theoretical guy-tower plane. Any deviation in

excess of these tolerances shall be clearly demonstrated by the Contractor not to diminish the structural capacity of the anchorage system. This shall be supported by structural calculations by the design engineer, which is subject to review by the Technical Authority.

- 1.4.9.3 Horizontal alignment of anchor bolts +/- 2mm.
- 1.4.9.4 Horizontal dimensions from center of tower to guy working points and anchors to be +/- 150 mm, except when fixed terminations require more accurate location of guy working points. In this case the tolerance shall suit the Contractors requirements for accurate measurement of guy cutting lengths.
- 1.4.9.5 Concrete dimensions to be not less than the dimensions specified on drawings.

1.5 Detail Drawings

- 1.5.1 Upon award of the Contract, the Contractor shall submit sealed drawings, which include:
 - a. Structural profile drawing showing the sizes of legs, web members and bolts. The elevations at which the member sizes changes shall be clearly shown. Also included in these drawings shall be elevations of antennas, ice shields, lights and other attachments. Antenna orientation, size, type and center of radiation shall be clearly indicated. The drawing shall include all pertinent design information including design standard, ice loading, wind loading, steel grades, bearing pressure, soil conditions, elevation difference from base and any special design factors.
 - b. A large scale plan of the tower clearly showing the position and size of all transmission lines, and lighting lines in relation to the leg and web members and antennas.
 - c. Detailed foundation designs. Pre tension values for all rock bolts must be clearly shown on the drawings.
 - d. Detailed drawings showing the following:
 - a. Details of tower sections (face width and panel height);
 - b. Details of each different leg and web member and their connections;
 - c. Details of parts referenced in the design or Bill Of Materials (BOM);
 - d. Details of lighting and ground fault interrupters;
 - e. Details of all torque triangle members and their connections;
 - f. Description of materials, i.e., grades of steel, bolts, etc.
 - g. Approved anchorage points for fall protection.
 - e. Details of all antenna mounts and connections. These shall include plan view drawings showing the position of each antenna in relation to tower legs, pinwheel mounts and web members. These details shall be to scale and accurately reflect position of the antenna relative to the tower face and mounts.
 - f. Details of supports for all transmission lines and conduit, present and future, including material details.
 - g. Details of any special members.
 - h. Details of the climbing ladder, safety rail, anti-climb and trolley.
 - i. Tower profile showing antennas and mounts, etc.
 - j. Details of the tower base foundation, showing all dimensions and steel reinforcement or rock anchor details. Drawings shall show concrete strength. Where rock bolts are

used, installation and testing procedures shall be clearly indicated on the drawings.

Generic copies of typical foundations are not adequate.

- k. Detailed Bill of Materials showing quantities, part number, drawing reference number, weight, mark number, etc.
- l. Plan view and details of waveguide bridges including ice protection canopy.
- m. Details of ice guards for antennas and lights.
- n. Design details related to wind and ice loading, design standard, etc.
- o. Details with regard to any special design assumptions.
- p. The Contractor shall submit design calculations to the Technical Authority in a format that can be verified with initial drawings for approval.
- q. Drawings must specifically indicate that all tower members and/or attachments (i.e. mounts, diagonals, horizontals or lifelines) meet the 22.0 KN anchor point capacity required by the Canada Labour Code. Any exceptions to this must be clearly indicated on the design drawings.
- r. Any other drawings or diagrams required in order to make clear the work intended or show its relation to adjacent work of others.

1.5.2.2 Submit for review three complete, sealed sets of design and detail drawings to the Technical Authority. After successful review, one print of each submitted drawing will be returned to the Contractor either "Reviewed" or "Reviewed as Noted". Thereafter no change shall be made on any drawing without the permission of the Engineer. All drawings submitted to the Technical Authority shall be sealed by the Professional Engineer accepting responsibility for the design. The name of the design engineer must be indicated on the drawings.

1.5.2.3 The Contractor, at no additional cost to the Owner, shall make any changes in the drawings, which may be required, consistent with the Specification and shall submit revised copies for review in the manner herein set out. The review does not relieve the Contractor from responsibility for ensuring that his complete work meets all the requirements of the drawings and Specifications contained herein. The Contractor shall ensure that the tower design, including guy location, does not interfere with the operation of the antenna systems.

1.5.2.4 Any work done prior to the return of the reviewed drawings shall be at the Contractor's own risk. The Owner or his representative may issue a stop work order if any site work is started prior to the Owners review of engineering drawings. All costs associated with this shall be the Contractor's responsibility.

1.5.2.5 The Contractor shall verify all field measurements and proximity to existing structures and topographic features. Any discrepancies shall be reported to the Technical Authority immediately.

1.5.2.6 The Contractor shall provide a digital photo journal of the foundation construction when the Technical Authority is not onsite. The photos shall depict the foundation excavation, rebar placement in all pads and piers, and at various stages of concrete placement up to the completion of the footings.

1.5.3 Drawings

- 1.5.3.1 All drawings shall be 280 mm x 430 mm and include a graphic scale bar. Larger sizes will be permitted only if the Technical Authority gives prior written approval. The Contractor shall make every effort to provide consistent sized drawings, which optimize the amount of information shown. The Contractor shall provide a Table of Contents listing all drawing titles with a sequential numbering system. All drawings shall be bound in sets.

- 1.5.3.2 The contractor's individual drawing files will have a number format established by the Manager. The drawing package will have notepad or similar text file that is an index to the drawings. The file names may have the following form: • xxxx_yyyy_drw no. where xxxx is the location code, yyyy is the "Project No." and drw no is the contractors' drawing number. The total length of the file name may be limited to 15 characters.
- 1.5.3.3 **All drawings shall have a title block that clearly shows the Project Name and Location, Owners Name (), design engineer (Name), Technical Authority, date, revision number, and a description of the drawing content. All drawings must be approved and stamped by a Professional Engineer licensed to practice in the province where the tower is located, prior to submission to the Technical Authority. Unsealed drawings will not be reviewed.**
- 1.5.3.4 Where drawings have to be modified to reflect actual soils or rock conditions, the engineer of record shall submit sealed design drawings to the Technical Authority for review prior to the start of installation. The Technical Authority will review the design drawings and advise the Contractor to proceed within (7) working days of receiving the drawings and necessary design details.
- 1.5.3.5 Upon completion of all work, and prior to release of contract holdback, the Contractor shall issue three full sets of drawings for each site that reflect any and all changes from the original contract drawings. The Contractor will complete the AS BUILT DRAWINGS in (14) working days after completion of the Acceptance inspection by the Technical Authority. These drawings shall be stamped AS BUILT DRAWINGS and shall be sealed by the "Engineer of Record" in accordance with the requirements of this specification.
- 1.5.3.6 As built drawings shall show actual antenna azimuths, antenna heights, antenna type, antenna mounting arrangement, revised anchor radius and drop based on field installation, leg azimuth, waveguide bridge, position of tower relative to building, compound fence, building and fence grounding, ground resistance readings, foundation's (Tower base & anchors) with geotechnical design parameters and water table depths, pre tension values for rock bolts, etc.
- 1.5.3.7 An amount will be withheld from the Contract until all AS BUILT DRAWINGS have been received and reviewed.

1.5.4 Notice Of Completion

1.5.4.1 Upon completion of work, the Contractor shall submit to the Owner and Technical Authority written notification that the tower construction is complete and ready for an acceptance inspection. The Technical Authority shall complete the acceptance inspection while the Contractor is onsite. If there are any deficiencies the Technical Authority shall provide the Contractor with a preliminary list on site.

1.5.4.2 The Contractor shall within three (3) weeks of receiving the "Official Acceptance inspection Report" from the Technical Authority, correct all items to the satisfaction of the Owner. If this time has elapsed and no corrective measures taken, the Owner may hire a Sub-Contractor to complete the work on behalf of the Contractor and deduct any monies from the amount of the contract owed to the Contractor. If a major deficiency is identified in the Acceptance inspection Report, the Owner may suggest that a second visit to the site is necessary by the Technical Authority. This visit shall be at the expense of the Contractor.

1.6 Quality Control

1.6.1 Shop Inspection

1.6.1.1 Materials and workmanship will be subject to inspection at any time by a qualified inspection firm appointed by the Owner. Make drawings, specifications and mill test reports available to the inspector to facilitate this work.

1.6.1.2 Co-operate in permitting access to all places where work is being done or stocked prior to shipment.

1.6.1.3 Inspection shall not relieve the Contractor of his responsibility but is a precaution against oversight or error. Defective material and workmanship wherever found at any time prior to final acceptance of the work will be rejected regardless of previous inspection.

1.6.1.4 When appropriate, as part of a general shop inspection, be prepared to shop assemble the tapered base section of the mast and any platforms or outriggers with accompanying mast sections.

1.6.2 Foundation Inspection

1.6.2.1 The foundation placement is subject to inspection during the following stages:

- testing of rock bolts;
- placement of concrete for gravity anchors and the tower base.
- Digital photos of the form and per pour shall be forwarded to the Technical Authority.

1.6.2.2 The Contractor shall advise the Technical Authority of these activities a minimum of (5) business days in advance of their planned occurrence. Every effort shall be made to complete these activities within two full concurrent days on site. The Contractor shall

immediately notify the Technical Authority of any change in scheduling for rock bolt testing or placement of concrete.

- 1.6.2.3 The Contactor shall arrange for an independent testing firm to obtain and test concrete cylinders for compressive strength of concrete used on the site. Results will be forwarded to both the Owner and the Technical Authority. All costs associated with testing shall be the responsibility of the Contractor.
- 1.6.2.4 No concrete shall be poured prior to the Technical Authority's review of pre pour conditions. At the discretion of the Technical Authority, concrete poured prior to a pre pour inspection shall be removed and replaced at the Contractors expense.
- 1.6.2.5 All excavations shall be completed prior to the Technical Authority's arrival on site.
- 1.6.2.6 All concrete placement for guyed tower anchors must utilize an undisturbed earth face. If this is not possible, adequate soil placement and mechanical tamping must be utilized to produce a 98% Proctor reading. If after testing this reading is not reached, the Contractor shall replace all fill and compact to required values.
- 1.6.3 Grounding Inspection
- 1.6.3.1 All buried copper ground connections and runs shall be inspected before backfilling of the trenches. All costs to excavate grounding systems not inspected by the Owner or Technical Authority shall be the responsibility of the Contractor.
- 1.6.3.2 All connections shall be completed prior to the Technical Authority / Owners arrival on site using suitable manufacturer recommended techniques and tools.
- 1.6.3.3 All ground connections that do not meet acceptable standards shall be replaced at the Contractors cost.
- 1.6.3.4 The Contractor shall advise the Technical Authority of these activities a minimum of (5) business days in advance of their planned occurrence.
- 1.6.4 Acceptance Inspection
- 1.6.4.1 An Acceptance Inspection is to be carried out by the Technical Authority on behalf of the Owner. The Contractor must ensure that the installations are ready for inspection, prior to notifying the Technical Authority.
- 1.6.4.2 The Contractor shall provide adequate manpower, tools and equipment to complete any adjustments or remedial work requested by the Technical Authority during the Acceptance Inspection. Contractor costs for this shall be incorporated into the submitted Tender price.
- 1.6.4.3 The Contractor shall provide a written request to have the Technical Authority complete an Acceptance Inspection. This request shall be forwarded to the Technical Authority not less than five (5) business days in advance of the planned inspection.

- 1.6.4.4 All costs incurred by the Contractor during the Acceptance Inspection shall be at the Contractor's expense.
- 1.6.4.5 All work must be completed in accordance with contract specifications and instructions, prior to the Acceptance Inspection.
- 1.6.4.6 The Contractor will be responsible for the costs of all repeat Acceptance Inspections necessitated by work, which is considered by the Technical Authority to be incomplete or unsatisfactory. These costs shall include all associated Technical Authority and Owner costs, including fees, transportation, accommodations, meals, etc. These costs shall be deducted from the total amount of the Contract.
- 1.6.5 Post Erection Inspection
- 1.6.5.1 Not less than six (6) months and not more than one (1) year after acceptance of the tower by the Owner, the Technical Authority shall inspect the tower and the Contractor shall be onsite to carry out any adjustments necessary to restore it to the condition stipulated, and to remove any twist or bending of the mast which may have developed.
- 1.6.5.2 All costs incurred by the Contractor during the Post Erection inspection will be the responsibility of the Contractor and shall have been included in the Tender breakdown.
- 1.6.5.3 The Contractor shall give the Owner and Technical Authority notice in writing at least ten (10) business days in advance of the Post Erection inspection in order to facilitate scheduling of the inspector's visit.
- 1.6.5.4 After any straightening measures are carried out on the tower, the Contractor shall, under the direction of the Owner, re-orient antennas.
- 1.6.5.5 The Contractor shall provide a minimum of two qualified riggers with adequate tools and equipment to complete any adjustments or remedial work requested by the Technical Authority during the Post Erection Inspection.
- 1.7 Temporary Facilities
- 1.7.1 Access
- 1.7.1.1 The Contractor shall maintain access to the tower site during the construction period, regardless of the time of year. Snow removal shall be the responsibility of the Contractor.
- 1.7.1.2 The Contractor shall, at his sole expense, build and maintain temporary roads where required.
- 1.7.1.3 If authorized to use existing roads for access to the project site, maintain such roads for the duration of the Contract and make good on damage resulting from Contractor's use of roads. All damage, as a result of the Contractor's activities, to the existing roadways or existing RCMP or adjacent property shall be returned to its original condition at the Contractor's cost.

- 1.7.1.4 If indicated in the SOW of the Project Specification temporary power (110V single phase 15AMP) will be supplied and paid for by the Owner to within 100 feet of the work place. Distribution in the form of extension cords, sub-panels, feeders, etc. will be the responsibility of the Contractor. All other connections for additional power requirements are the responsibilities of the contractor.
- 1.7.1.5 The Contractor shall provide and maintain power as required for the construction and temporary obstruction lighting (ref. CARs).
- 1.7.1.6 Connect to power supply in accordance with Canadian Electrical Code once the Owner provides the temporary power.
- 1.7.1.7 Temporary lighting to meet the Occupational Health and Safety Act requirements will be provided and paid for by the Owner. Task lighting will be the responsibility of the Contractor.
- 1.7.1.8 The Contractor shall provide and maintain temporary obstruction lighting on the communication structure as required by CARs.
- 1.7.1.9 Temporary water will be supplied and paid for by the Contractor. Distribution in the form of hoses, etc. will be the responsibility of the Contractor.
- 1.7.1.10 Temporary offices (including telephones, fax, etc.), sanitary facilities, fire protection, heating, cooling and ventilation will be the responsibility of the Contractor, in a location appointed by the Manager.
- 1.7.1.11 The Contractor shall provide and maintain in a safe condition and remove upon completion all necessary temporary works, supports, guy wiring, bracing and other means required, including making good all disturbed work to match existing and adjacent work. Submit drawings and details of such temporary works, supports, etc., duly prepared and stamped by a Professional Engineer Licensed to practice in the Province or Territory where the work is located and experienced in this type of work.
- 1.7.1.12 The Contractor shall provide and maintain in a safe condition all necessary temporary shoring and protection required to transfer loads and to protect new and existing structures where, either, supporting structures have been removed, or where, material and equipment is being moved. Submit drawings and details of such temporary and protection, duly prepared and stamped by a Professional Engineer licensed to practice in the Province or Territory where the work is located and experienced in this type of work. Such temporary shoring and supports are to remain in place until completion of this Contract or until directed by the Manager, whichever is sooner.
- 1.7.1.13 The Contractor shall provide all necessary and required temporary structures complete with platforms, safety devices and safety barriers, and provide all necessary and required temporary fall arrest systems, and weather tight and/or protective covers. All such safety devices, barriers, fall arrest systems, etc. must comply with the Canada Labor Code and /or Occupational Health and Safety Acts. These safety systems, safety devices, barriers, fall arrest systems, etc. must be maintained in safe condition at all times. Canada Labor

Code and /or Occupational Health and Safety Acts shall be adhered to with regard to construction safety at all times.

- 1.7.1.14 The Contractor shall be responsible for:
- receiving, off-loading and storing materials, equipment or other components where directed by the Manager;
 - movement and hoisting of materials, equipment or other components around the site;
 - provision of all hoisting equipment, flagmen and signal men properly trained to direct hoisting operations, complete with all necessary communication devices;
 - provision of all slings, rigging, etc.
 - implementation of all necessary and required dust control, noise abatement and safety policies and procedures
 - provision of all necessary and required dust screens.
- 1.7.1.15 The Contractor shall protect the work of other Contractors from any damage resulting from work of this Contract. Any damage resulting from failure to comply with this requirement is the complete responsibility of this contractor.
- 1.7.2 Sanitary Facilities
- 1.7.2.1 Provide sanitary facilities for work force in accordance with regulations and ordinances.
- 1.7.2.2 Post notices and takes such precautions as required by local health authorities. Keep area and premises in sanitary condition.
- 1.7.3 Power
- 1.7.3.1 Power supply may not be available during construction. The Contractor shall provide and maintain power as required for the construction and temporary lighting until the tower is officially accepted by the Owner. Official acceptance shall be defined as the point in time where all deficiencies have been completed, the Acceptance Inspection has been completed and the tower is ready for use by RCMP. The Contractor is obligated to inform the RCMP in writing 48 hours prior to leaving the premises. If permanent power is not available at this time, the Owner may lease temporary power from the Contractor until commercial power is available.
- 1.7.3.2 The Contractor shall provide and maintain all temporary power for the obstruction light system.
- 1.7.3.3 The Contractor shall connect tower lighting to power supply in accordance with Canadian Electrical Code.
- 1.7.4 Drainage
- 1.7.4.1 Provide temporary drainage and pumping as necessary to keep excavations and site free from water.
- 1.7.4.2 The Contractor shall not pump water containing suspended materials into waterways, sewer or drainage systems.

1.7.4.3 Control disposal or runoff of water containing suspended materials or other harmful substances in accordance with local authority requirements.

1.7.5 Project Signs

1.7.5.1 No Contractor signage will be permitted on the project without the written permission of the RCMP.

1.7.5.2 Required safety signage to warn of work overhead shall be clearly displayed at all times.

1.8 Clean Up And Disposal

1.8.1 Clean Up

1.8.1.1 Upon completion of the work, or sooner if ordered by the Owner, remove all temporary structures and clear away all rubbish, surplus and waste material remaining on or about the site, and attributable to this Contract, and place the site in a neat and tidy condition.

1.8.1.2 The clean up area shall include areas used for temporary site access or used on a temporary basis to facilitate the work.

1.8.1.3 The Contractor shall clean up all garbage on a daily basis and dispose of it in accordance with local and federal regulations.

1.8.1.4 Under no circumstances will burning of construction refuse be allowed on the Owner's site. Remove all waste material from the site to an approved dumping area as designated by the local authority.

1.8.1.5 If the Contractor fails to clean up the site and restore to an acceptable condition, the Owner shall initiate completion of the work and deduct all associated costs for the work from monies due to the Contractor.

End of Section

2.0 SITWORK

2.1 Clearing and Grubbing

2.1.1 General

2.1.1.1 This section covers the clearing of areas on the site of standing timber or brush or both as indicated on the drawings and/or designated in the Specification. This section also includes the removal or disposal of all resulting debris.

2.1.1.2 The Contractor shall investigate the need for and obtain, as required, all the necessary permits from the local authority prior to modification of any flora or fauna on the site.

2.1.1.3 If required by the Owner, the Contractor shall trim merchantable portions of trees of limbs and tops, and cut such portions into merchantable lengths. These merchantable lengths shall be piled neatly along the limit of the access road or along the limit of the clearing, separate from the debris. Merchantable Timber shall remain the property of the Owner and shall be disposed of only on written authorization from the Owner.

2.1.1.4 The Contractor shall obtain the necessary burning permits prior to burning of any cleared material or debris on the site.

2.1.2 Clearing

2.1.2.1 The Contractor shall cut off trees, brush, and scrub at a height of not more than 4 inches above the ground within the areas designated to be cleared.

2.1.2.2 Remove the trees, brush, scrub and any other debris within the areas to be cleared to a location designated on the site by the Owner in preparation for burning.

2.1.2.3 Burn under constant care of a competent watchman and in accordance with the authority having jurisdiction. While burning debris, do so in such a manner that surrounding vegetation, adjacent property or the site features will not be jeopardized.

2.1.2.4 Bury all material and debris that will not burn in accordance with the authority having jurisdiction. Buried material shall be consolidated and covered with at least 18 inches of granular. Landscape any excavations to create a neat appearance.

2.1.2.5 If the Contractor is prevented from disposing of debris resulting from clearing operations by reason of regulations or restrictions imposed by the Authority having jurisdiction, then disposal of such debris shall be to the approval of the Owner.

2.1.3 Grubbing

2.1.3.1 Grubbing shall be defined as the removal of all stumps, matted roots, rough filling or the resulting holes, and satisfactory disposal of all debris.

2.1.3.2 The area to be grubbed shall be shown on the drawings or as required by the Owner.

2.1.3.3 All stumps, roots, rotten wood, and debris within the areas to be grubbed shall be burned or otherwise disposed of in accordance with the above.

2.2 Excavating and Backfill

2.2.1 Definitions

2.2.1.1 The Owner shall only recognize two classes of excavation: - rock excavation and common excavation.

2.2.1.2 Rock Excavation is defined as excavation of materials from solid masses of igneous, sedimentary or metamorphic rock that, prior to its removal, was integral with its partner mass, and boulders or rock fragments having individual volume in excess of 1 cubic meter.

2.2.1.3 Common excavation is defined as excavation of materials of whatever nature, which are not included under definitions of rock excavation including dense tills, hardpan, frozen materials and partially cemented materials that can be ripped and excavated with heavy equipment.

2.2.2 Requirements of Regulatory Agencies

2.2.2.1 The Contractor shall adhere to Municipal, Provincial and Federal codes where blasting is required.

2.2.2.2 The Contractor shall adhere to Municipal, Provincial and Federal requirements relating to the safety of excavations and protection of workmen.

2.2.3 Measurement

2.2.3.1 The Contractor shall be responsible for all computations regarding the amount and nature of all excavations required.

2.2.4 Materials

2.2.4.1 Backfill Material:

2.2.4.1.1 Granular Backfill: Pit run natural or blended sand or gravel consisting of clean hard durable particles free from clay lumps, cementation or organic material, having less than 10% by mass passing a No. 0.075 mm sieve, capable of being compacted to the degree specified herein and meeting the approval of the Technical Authority.

2.2.4.1.2 Common Backfill: Selected materials from excavations, suitable to the Technical Authority for the use intended, free from frozen materials, cinders, ashes, sods, organic materials, refuse and other deleterious substances.

2.2.5 Shoring and Bracing

- 2.2.5.1 Provide and set all shoring, bracing, etc. necessary to prevent the caving in of excavation sides. Shoring shall be placed so as to be independent of all foundations and shall remain in place until forms have been removed and approval given to proceed with backfilling.

2.2.6 Pumping and Drainage

- 2.2.6.1 Provide all pumping and drainage required to control ground and surface water during excavation and construction of sub grade work at no extra cost to the Client.

2.2.7 Excavation

- 2.2.7.1 Strip topsoil from within limits of excavation and stockpile as directed for spreading after backfilling.

- 2.2.7.2 Excavate to at least the depth shown on the drawings and to a width sufficient to perform the work properly and in Accordance with all regulations.

- 2.2.7.3 Bottoms of all excavations shall be level and cleaned of all loose material and debris before concrete is poured. All foundations shall rest on undisturbed earth or rock. The front face of all anchors not anchored to rock shall bear against undisturbed soil.

- 2.2.7.4 Should the bearing capacity at the levels indicated be found inadequate by a Technical Authority, the Technical Authority may order the excavation to be carried down to a proper bearing. Such work shall be classified as additional work and associated costs shall be reflected in the form of a change order initiated by the Technical Authority.

- 2.2.7.5 When excavations are carried down to a greater depth than shown on the drawings without the Technical Authority's written approval, the foundations shall be carried down to the excavated depth at the Contractor's expense. The method of deepening the foundation must be approved by the Technical Authority.

- 2.2.7.6 Do not excavate closer than 1.2 m to the nearest edge of any proposed or existing building face. Shore the excavation if necessary.

2.2.8 Rock Excavation

- 2.2.8.1 All rock excavations shall conform to alignments, profiles, and cross sections shown on the drawings. Carefully scale down all slopes and remove all rock, boulders and fragments, either on or outside the excavated area, liable to roll or slide down the side slopes of cut sections.

- 2.2.8.2 Excavated rock shall be disposed of on the site as directed by the Technical Authority.

2.2.9 Blasting

- 2.2.9.1 Blasting operations shall be undertaken only with the explicit written permission of the Owner.

2.2.9.2 The supply, transportation, storage and use of all explosives and accessory equipment used for blasting shall be in accordance with regulations of the authority having jurisdiction. The Contractor shall be responsible for all necessary precautions and cost to prevent damage to surroundings, including responsibility for arrangements, and all costs involved in temporary removal and replacement of utilities.

2.2.10 Backfilling

2.2.10.1 Do not proceed with backfilling operations until the Technical Authority has inspected and approved work in place. Give 48 hours notice to the Technical Authority so that he might schedule his site visit.

2.2.10.2 Backfill spaces excavated and not occupied by parts of substructure or other permanent works with specified material placed up to the surface or surrounding ground.

2.2.10.3 Place backfill material in uniform layers not exceeding 200 mm loose thickness and simultaneously on sides of structure so that loading is equalized.

2.2.10.4 Compact each layer to following percentages of corrected maximum dry density in accordance with ASTM D698-00.

(a) Common Backfill 95%

(b) Granular Backfill 98%

2.2.10.5 Place backfill so as to prevent the accumulation of water around foundations or anchors.

2.2.11 Restoration

2.2.11.1 Upon completion of work dispose of any remaining soils neatly on the site by berming the anchors and the tower base and "feathering-out" excess material.

2.2.11.2 Replace topsoil over excavated areas.

2.2.11.3 Restore areas affected by equipment outside the area of work to the condition that existed prior to commencement of work.

2.2.11.4 Remove surplus material and debris from the site to an area authorized for such disposition by those authorities having jurisdiction.

2.3 Access Roads and Parking Areas

2.3.1 General

2.3.1.1 This section gives the requirements for construction of graded and surfaced access roads to be provided at communication tower sites and includes the grading of tower sites and preparation of parking areas where such are required.

- 2.3.1.2 The Contractor shall furnish all labor, equipment, tools, materials and transportation necessary to complete the construction of the access road or roads in accordance with the pertinent alignment, profile and cross-section drawings, and the requirements of this Specification.
- 2.3.1.3 The work may include the clearing, grubbing and grading of tower sites and construction of parking areas where such work is required as indicated in the SOW or as required by the Owner.
- 2.3.1.4 The Contractor shall procure all permits and licenses, pay all fees and royalties, and make all necessary arrangements with Utility Companies and Authorities Having Jurisdiction for work covered by this Specification.
- 2.3.1.5 The Contractor shall do all clearing and grubbing in accordance with the requirements of this Specification.
- 2.3.1.6 The Contractor shall do all common and/or rock excavation, and all hauling, placing and compacting of fill required for embankment, when required, in accordance with this Specification.
- 2.3.1.7 The Contractor shall supply, haul, place, compact and grade all surface course materials as required by this Specification.
- 2.3.1.8 The Contractor will supply and install all culvert pipes and drainage structures as indicated on the drawings and as required by this Specification.
- 2.3.1.9 The Contractor shall supply and install all guard rails, where indicated on the drawings and as required by this Specification.
- 2.3.1.10 Foundation investigations, soils tests and preliminary surveys, sufficient and deemed required for the work will be the responsibility of the Owner.
- 2.3.2 Stripping and Disposal of Topsoil
- 2.3.2.1 Topsoil is defined as that part of the natural ground that contains organic matter.
- 2.3.2.2 The material so stripped shall be disposed of as fill in depressed areas outside the limits of construction, or in stock piles if required for use in other parts of the work.
- 2.3.3 Excavation
- 2.3.3.1 The Contractor shall do all the excavation, hauling, placing and compacting of the excavated material required in the construction of the roadway. This shall include excavation for all intersections, ditches, drainage relocations, and structures required under this Specification.
- 2.3.3.2 All material excavated shall be classified as "Common Excavation" or "Rock Excavation", as defined in this specification.

- 2.3.3.3 The Contractor shall not excavate outside the slopes or below the elevations required by the drawings or this Specification unless the Owner has first approved such excavation.
- 2.3.3.4 With the Owner's approval, cuts may be excavated to a greater width than specified here if such a method of obtaining fill is considered desirable.
- 2.3.3.5 Where unstable or material otherwise unsuitable for roadbed construction is encountered in cut sections, it shall be removed below design grade at the Owner's direction and replaced with satisfactory material. Wherever the Contractor excavates below the design grade he shall construct such fills in accordance with this specification.
- 2.3.4 Excavation in Borrow Pits
- 2.3.4.1 When sufficient quantities of material suitable for roadway embankment are not obtainable from various excavations required for the construction of the roadway, the Contractor shall provide suitable borrow pits.
- 2.3.4.2 The Contractor, before entering for operational purposes onto any borrow pit site, or access road shall file with the Owner satisfactory documentary proof of his right of occupation. In addition, the Contractor shall covenant to save the Owner harmless from all claims whatsoever arising or that may arise from his operation of the borrow pit and the access road, if any.
- 2.3.4.3 Where sources of excavation are on private property and permanently obscured from the roadway, debris from the clearing and grubbing, discarded waste, and all other debris shall be disposed of, and the excavated area left in a condition satisfactory to the property owner. Where excavation sources on private lands are visible from the roadway, disposal of debris and waste shall be the joint approval of the property owner and the Owner.
- 2.3.4.4 The Contractor shall thoroughly sample the borrow pit for suitability of materials either by pits or by boring. All or any portion of the borrow shall be rejected if tests show that the materials are not suited to their particular use.
- 2.3.4.5 Before any material is excavated from any borrow pit, the area shall be cleared and grubbed, and materials disposed of as required in the Specification.
- 2.3.4.6 All stone, broken rock, boulders and other materials that do not meet the requirements of this Specification for use in fill shall be disposed of by the Contractor in a manner satisfactory to the Owner.
- 2.3.5 Rock Excavation
- 2.3.5.1 Rock excavation shall be in accordance with this Specification and as noted herein.
- 2.3.5.2 All rock excavated from roadway cuts shall be placed in roadway embankments. All rock excavated for drains, ditches, culverts and channel changes shall, if required and feasible be placed in roadway embankments. Blasting to obtain fill will not be permitted.
- 2.3.5.3 Where rock is encountered in roadway cuts, it shall be shattered uniformly so as to eliminate water pockets. Rock excavation shall be carried out so as to drain the excavated

bed rock surface to the side ditches and not leave water pockets in the foundation of the roadbed.

2.3.6 Blasting.

2.3.6.1 Blasting shall be in accordance with this Specification and as noted herein.

2.3.6.2 Prior to any blasting a Pre Blast Survey shall be completed by the contractor detailing adjacent structures and assessing risk of damage. Copies of such reports shall be submitted to the Owner.

2.3.6.3 The Contractor shall be responsible for all damages to pole lines and public utilities either above or below ground or to adjoining property caused by blasting or from any cause whatsoever resulting from any of his operations in connection with this work. Before any blasting is done, the Contractor shall arrange to have moved to a safe location, or otherwise protected, any utility lines that could be damaged by such blasting. He shall maintain such relocated or protected lines and after completion of the operations he shall return the utility to the original location or such other location deemed satisfactory to the utility company. The Contractor shall bear the costs of any charges against The Owner for such protection or relocation.

2.3.7 Backfill - Granular or Common

2.3.7.1 Backfill materials are defined in this Specification.

2.3.7.2 Earth fill shall be constructed by depositing and spreading uniform layers of not more than 8 inches (loose measurement) in depth, for the full width of the embankment. Layers shall be kept level by use of road graders, bulldozers or other approved devices. In the case of side fill or sloping sections the low portion shall be constructed as above until the required cross-section is obtained. All boulders over 6 inches in diameter shall be removed.

2.3.7.3 Each layer shall be thoroughly compacted by the use of suitable equipment before the next layer is placed. Equipment used shall be such as will provide satisfactory compaction of the material being used in fills. If material being placed in fill is too dry for satisfactory compaction, water shall be uniformly added.

2.3.7.4 Compact earth fill in accordance with this Specification.

2.3.7.5 Any materials placed in earth fills which are soft or unstable due to excessive moisture content or for any other reason, shall be removed and replaced with suitable material. When unstable material such as muskeg is encountered within the limits of the roadway, the Contractor shall excavate and remove such material below the grade elevations shown on the drawings until stable foundation material is reached. Such areas shall then be backfilled with suitable material, and the excavated material disposed of, to the Owner's approval.

2.3.7.6 Any proposed method of constructing embankment in swamp or muskeg areas, other than excavation and backfill, as outlined in this specification must have the prior approval of the Owner.

2.3.8 Backfill - Rock Fill

2.3.8.1 Where embankments are constructed with boulders, rock or broken concrete fill, such materials shall be deposited by dumping over the end of the embankment. No dumping over the sides of fills will be permitted.

2.3.8.2 The fill material shall be well distributed as far as practicable, so as to fill the voids and form a solid embankment. The embankment shall be constructed to full width and to conform to profile grades and cross-sections as the work progresses. No rock placed in fills shall be greater in vertical dimension than one-third the depth of the section of the embankment in which such rock is being placed.

2.3.8.3 Top of rock fill shall be at least six inches below sub-grade elevation. The fill shall be completed with material that will enable final grading operations to bring the surface to proper cross-section.

2.3.9 Grading of Sub-grade Surface

2.3.9.1 Before the Contractor starts placing the surface course he shall make the sub-grade true to design Profile and Cross-section as shown on the drawings. The surface shall be free of ruts, and any compaction of the surface lost through use of the roadway by traffic, or compaction lost by other causes shall be corrected.

2.3.10 Surface Course

2.3.10.1 This work shall consist of supplying, hauling, placing, blending, grading and compacting surface course material to meet the requirements of this Specification.

2.3.10.2 The sub-grade, shoulders and ditches shall conform to the alignment and grades shown on the pertinent drawings or to the requirements of the Technical Authority, and compaction shall have been satisfactorily completed before placing of surface course material is started.

2.3.11 Material Requirements

2.3.11.1 Materials for surface course shall be selected or processed to conform to the requirements of this Specification. It is intended that coarse graded aggregate surface course material as herein specified shall be used for all access roads where sources of such material are reasonably available. In locations where such material cannot be obtained without excessive hauling or processing costs, consideration will be given to alternative methods of surface treatment. The Contractor shall submit a proposal for alternative methods of surface treatment at such locations for approval of the Technical Authority. The best accepted local practice shall be a guide for such proposals.

2.3.11.2 All surface course materials shall be approved for use by The Owner.

2.3.12 Coarse Graded Aggregate Surface Course

2.3.12.1 Coarse graded aggregate surface course material shall be processed or selected from

deposits of pit-run gravel, talus rock, mine waste, or other granular materials which may be approved by the Technical Authority. Materials such as shale will not be acceptable.

- 2.3.12.2 Sieve analysis of coarse graded aggregate surface course shall conform closely to the gradation shown in the following table:

Required Gradation for Granular Surface Course Material	
Standard Sieve Size	Percent Passing by Weight
1 1/2" Sieve	100
No. 4 Sieve	25 - 40
No. 200 Sieve	0 - 5

- 2.3.12.3 Acceptable pit-run material meeting this gradation requirement may be used, but crushing and screening will usually be required. Oversize material in deposits from which gravel is being produced shall be removed by screening or shall be crushed to the required size.

- 2.3.12.4 Materials from deposits of acceptable quality but deficient size may be supplemented from other sources to produce the required gradation.

- 2.3.12.5 The Contractor shall submit a representative sample of the surface course material to be used to the Technical Authority for approval. The sample shall contain not less than 22 kilograms. All costs of obtaining, packaging, and shipping samples shall be borne by the Contractor. Cost of laboratory examination required by the Technical Authority shall be borne by The Owner.

- 2.3.12.6 Only material approved by the Technical Authority may be used in the work. Any material of a quality or nature not suitable for its intended use shall be rejected.

- 2.3.12.7 Materials shall be considered unsuitable if particle shapes or other characteristics preclude satisfactory compaction or fail to provide a roadway suitable for traffic.

- 2.3.12.8 All surface course material shall be placed on the prepared subgrade and compacted in layers of the required widths, each to a thickness not greater than two inches, unless otherwise specified by the Technical Authority. After placing, the surface course shall be bladed smooth.

- 2.3.12.9 Immediately following grading of each layer, all material placed shall be compacted to full width by rolling with appropriate equipment. Rolling shall progress from sides to centre, parallel with the centre line of the road and shall continue until satisfactory compaction is obtained. Any irregularities or depressions that develop under rolling shall be corrected. Vibratory tamping devices shall be permitted when appropriate. Surface course material shall be sprinkled with water when required as an aid to compaction during rolling.

- 2.3.12.10 The number of layers shall be determined by the required thickness of the surface course as indicated on the drawings. Each layer shall be constructed as specified above.

- 2.3.12.11 After the required thickness has been obtained the surface shall be shaped and compacted by additional rolling and grading as required to produce the specified surface contour.

- 2.3.13 Culverts

-
- 2.3.13.1 All culvert pipe shall be corrugated galvanized sheet steel culvert pipe, and shall be the product of a reputable manufacturer, "ARMCO", or equal.
- 2.3.13.2 No culvert shall be less than 16 gauge sheet metal. Gauges of sheet metal for large diameters shall be in accordance with the manufacturer's recommendations.
- 2.3.13.3 The minimum diameter for any culvert pipe shall be eighteen inches.
- 2.3.13.4 Wherever possible culverts shall be installed after completion of embankment.
- 2.3.13.5 Excavation shall be done so as to permit thorough tamping of backfill under the haunches and around the pipe.
- 2.3.13.6 In excavation other than in solid rock, the width of the trench at the pipe bed shall be that of the outside diameter of the pipe to be laid, but in any case, not less than 24 inches. In rock excavations the width of the trench shall be 2 feet wider than the outside diameter of the pipe.
- 2.3.13.7 Where multiple pipes are laid, they shall be spaced not less than one diameter apart.
- 2.3.13.8 All culvert pipes shall be carefully laid in their prepared beds in the required lengths and diameters, and according to the required line and grade. Pipe shall be laid so that the rivets, if any, do not lie at the bottom of the trench.
- 2.3.13.9 Metal pipe sections shall be joined together with the couplings supplied by the manufacturer, and no fastenings will be omitted. The male end of sections shall always be laid downstream.
- 2.3.13.10 Where corrugated metal pipe is laid in diameters of 36 inches or over, under fills of 15 feet or more in height above the top surface of the pipe, the vertical diameter of the pipe shall be elongated about 5% by the use of timber struts. Struts shall be left in place until fills have been thoroughly consolidated.
- 2.3.13.11 All culvert pipe shall be installed with sufficient length to extend beyond the toe of the embankment. Culverts that do not permit the construction of embankments at the specified side slope will not be accepted.
- 2.3.13.12 Where necessary to protect the toe of the embankment against erosion culverts shall be provided with head walls. Grouted riprap, pressure treated timber, or concrete may be used.
- 2.3.13.13 Backfilling around and over the pipe, to a depth of one foot above the top of the pipe, shall be made with earth, free from sods, frozen lumps, stone or rock fragments. Backfill material shall be placed in layers not more than 6 inches deep, and shall be thoroughly compacted.

2.3.14 Ditches

2.3.14.1 Lateral access road ditches shall generally be constructed as shown in the Drawings of this Specification, where no special erosion problems exist.

2.3.14.2 Where possibilities of severe erosion exist, due to steep grades, heavy run-off, and interception of or interference with natural drainage, the Technical Authority will require additional erosion control measures. These shall include rip-rap paving of the invert of ditches, widening and deepening of ditches, construction of check dams, etc. Such construction shall be carried out as called for on the drawings, or as indicated on drawing details.

2.3.15 Guard Rails

2.3.15.1 Guard rails shall be supplied where indicated on the pertinent drawings. Material and construction shall be as shown in the drawings, when applicable.

2.3.16 Tower Site Parking Areas

2.3.16.1 Where shown on the drawings, or required by the Technical Authority, the Contractor shall carry out, as part of the work, all clearing, grubbing and grading of tower sites associated with the access roads.

2.3.16.2 Clearing and grubbing shall be performed in accordance with this Specification.

2.3.16.3 Installation of culvert pipes required for drainage at tower sites shall be as specified in this specification.

2.3.17 Access Road and Parking Area Configuration

2.3.17.1 Cleared width of right-of-way for access roads to communication structure sites shall not exceed 28 feet except where existing clearing has been performed by others. When greater widths are required for pole line or cable installations it shall be as shown on the drawings.

2.3.17.2 Width of traveling surface shall be 12 feet with shoulders 2 feet in width on each side. Total width between edges of embankment shall be 16 ft.

2.3.17.3 Generally grades shall be limited to a maximum of 12 per cent. Where conditions are such as to make this limiting gradient impractical, the proposed road profile shall require approval of the Technical Authority.

2.3.17.4 Maximum grade on horizontal curves shall not exceed 6 per cent where the degree of curvature exceeds 25 degrees.

2.4 Rock Anchors

2.4.1 Design

2.4.1.1 The minimum number of rock bolts to be installed at one anchor shall not be less than two.

2.4.1.2 The Williams Super High Tensile Rock Bolts (Solid) with expanding shield are not to be used in shear design unless the engineer of record can provide the Technical Authority with detailed computations and design data to collaborate the design.

2.4.2 Rock Bolts

2.4.2.1 Rock bolts shall be Williams High Tensile Rock Bolts with expanding shield or approved equivalent. The shield shall be designed to provide even bearing around the hole and to develop the full ultimate tensile strength of the bolt. Two nuts shall be supplied and installed to secure the anchor weldment. The second nut shall act as a locking nut and be of adequate quality for that purpose.

2.4.3 Grout

2.4.3.1 Grout shall be high early strength expanding type, with expansion of 3% to 4% prior to the gel stage. Grout shall have a minimum compressive strength of 27.5 MPa.

2.4.4 Holes

2.4.4.1 Drill holes to the diameter recommended by the rock bolt manufacturer for the bolt diameter to be used. Take care to ensure diameter is accurate and the hole is straight. Extend the hole 250 mm beyond the end of the rock bolt. Clean the hole before inserting the bolt.

2.4.4.2 The hole diameter must consider couplers or other bolt configurations such that there is adequate space to install grouting tubes.

2.4.4.3 Ensure that the holes are not reamed while drilling.

2.4.4.4 A log of rock types and any other relevant data that can be obtained by the drill rig should be completed by the Contractor while drilling holes and submitted to the Technical Authority for review.

2.4.5 Bolt Placement

2.4.5.1 Tap bolt into position taking care not to damage the threaded end.

2.4.5.2 Set expansion shield by torquing bolt to value recommended by the manufacturer with a manual or pneumatic torque wrench.

2.4.6 Testing

2.4.6.1 Pretension all bolts to 5% above the design load (Required Factored Uplift Load) for a period of not less than five (5) minutes, in accordance with the manufacturer's instructions.

2.4.6.2 Testing shall be carried out according to the manufacturer's instructions, and in the presence of the Technical Authority. The Contractor shall use a recently calibrated hydraulic jack, approved by Williams for tower anchorage and pretension usage. Proof of recent calibration by qualified personnel and a conversion chart shall be provided to the Technical Authority prior to the Technical Authority arriving onsite.

2.4.6.3 The Contractor shall accurately record torque and tension values for each bolt including the holding times. These values shall be submitted to the Technical Authority for review and shall be clearly indicated on AS BUILT drawings.

2.4.6.4 Any outward migration of the rock bolt during testing shall be noted and reported to the Technical Authority. The Contractor shall submit a remedial plan in consultation with the bolt manufacturer, approved by the Engineer of Record.

2.4.7 Grouting

2.4.7.1 Insert flexible grout tube to the bottom of the drill hole. Pump in grout (mixed in accordance with the manufacturer's instruction), slowly withdrawing the grout tube while maintaining pressure on the grout pump until grout is visible at the surface.

2.4.7.2 Grout must be pumped into the drill hole. Gravity placement is not permitted.

2.4.7.3 Grout shall not be installed until the rock bolt has been pretensioned in accordance with manufacturer's recommendations and the requirements of this specification.

2.4.8 Protection

2.4.8.1 Thoroughly protect the rock bolts above and below grade (300 mm) by hot dip galvanizing as per CSA S37. In addition, when the bolt is backfilled and below grade, apply a heavy bituminous compound such as Sternson Sehydratine or approved equivalent.

2.4.8.2 Follow manufacturer's written instructions with regard to curing and protection of grout prior to any backfilling of the anchor.

2.5 Compound Fencing

2.5.1 Products and Materials

2.5.1.1 Concrete mixes and materials: to this Specification - Cast-in-Place Concrete, All work shall be in accordance with CAN/CSA-A23.1.

- 2.5.1.2 Chain-link fence fabric shall be to CAN2-138.1-M80. Steel fabric shall be constructed of #9 gauge galvanized steel wire woven in a 50 mm (2") mesh. Tensile strength of individual pickets shall be 552 Mpa (80, 000 psi).
- 2.5.1.3 Tension wire shall be #6 gauge single strand wire electro galvanized with 600 grams (2.0 oz) of zinc per square meter.
- 2.5.1.4 Top salvage to have a twisted finish, bottom salvage to have a knuckled finish.
- 2.5.1.5 Barbed wire to consist of 3 strands, 4 point, 12.5 gauge, 150 mm spacing. Barbed wire to be supported on galvanized pressed steel or aluminum. Arm to accommodate 3 strands of barbed wire at a 45° outward overhang.
- 2.5.1.6 Posts, braces, top and mid rails to CAN2-138.2, standard continuous weld Schedule 80 galvanized steel pipe. End Posts, Corner Posts and Gate Posts are to be 89mm (3 1/2") OD.
- 2.5.1.7 Line Posts to be 60.3 mm (2 3/8") OD, Sch 40 galvanized steel pipe;
- 2.5.1.8 End, corner and gate posts to be 609mm (2') longer than height of fabric. No tubing conduit or open seam material will be permitted.
- 2.5.1.9 Top Rail and Mid rail (where required) to be 42.9mm (1 11/16") OD Sch40 galvanized steel pipe;
- 2.5.1.10 Tension bar: 5x20 mm min galvanized steel. Tension bar bands: 3x20 mm galvanized steel.
- 2.5.1.11 Tie wire fasteners: single strand, galvanized steel wire conforming to requirements of fence fabric No.9IWG.
- 2.5.1.12 Gate frames to ASTM A120-82, galvanized steel pipe, standard weight 3.4 kg/m², 42.1 mm outside diameter pipe for interior bracing.
- 2.5.1.13 Fabricate gates as indicated with electrically welded joints, and hot-dip galvanized after welding. Fasten fence fabric to gate with twisted selvage at top. Furnish gates with galvanized malleable iron hinges, latch and latch catch with provision for padlock which can be attached and operated from either side of installed gate.
- 2.5.1.14 Furnish double 3.0m gates with drop bolt for closed position. All Fittings and hardware are to be hot dip galvanized steel. The Post caps are to provide a waterproof fit to fasten securely over posts and to carry top rail.
- 2.5.1.15 One 3.0m double gate shall incorporate a 1.0m man gate.
- 2.5.1.16 Zinc pigmented paint to CGSB 1-GP-178-Ma. . The average weight of the zinc coating shall be not less than 732 grams per square metre (2.4 oz per square foot) of uncoated surface area.

- 2.5.1.17 Grounding as per this specification.
- 2.5.1.18 The bottom tension wire shall be single strand, galvanized steel wire, 5mm diameter.
- 2.5.1.19 The wood used for guy anchor protection shall be pressure treated.
- 2.5.2 Fence Installation
- 2.5.1.20 See Appendix B.
- 2.5.1.21 Debris and correct ground undulations along fence line to obtain smooth uniform gradient between posts. Provide clearance between bottom of fence and ground surface of 40 mm to 75 mm.
- 2.5.1.22 Erect fence along lines as indicated and in accordance with CAN/CGSB-138.3. .2
- 2.5.1.23 The depth of concrete footings shall be below frost line or a minimum 1370 mm (4'6") for line posts, and 1675 mm (5'6") for magnates. End and corner posts in normal soil and 1065 mm (3'6") for all posts in rock unless otherwise specified or approved by the Technical Authority in writing.
- 2.5.1.24 Fence posts shall utilize sonotubes of a minimum 203 mm (8 inches) diameter for line posts and a minimum of 304.8 mm (12 inches) diameter for corner, end and man gate posts for the full depth of the footings. Post spans shall not exceed 3 meters.
- 2.5.1.25 Install end posts at end of fence and at buildings.
- 2.5.1.26 Install gate posts on both sides of gate openings.
- 2.5.1.27 Install top rail between posts and fasten securely to terminal posts and secure waterproof caps.
- 2.5.1.28 Install bottom tension wire, stretch tightly and fasten securely to end, corner, gate and straining posts with turnbuckles and tension bar bands.
- 2.5.1.29 Install fence such that the height above grade is 2.5 meters and maximum post spacing is 3.048m.
- 2.5.1.30 Lay out fence fabric. Stretch tightly to tension recommended by manufacturer and fasten to end, corner, gate and straining posts with tension bar secured to post with tension bar bands spaced at 300 mm intervals.
- 2.5.1.31 Secure fabric to top rails, line posts and bottom tension wire with tie wires at 450 mm intervals. Give tie wires minimum two twists.
- 2.5.1.32 The interior of all compounds shall be filled with a minimum 75mm layer crushed stone to help prevent vegetation from growing.

- 2.5.1.33 The guy anchor compound must be a minimum 3.048m x Height equal to the first guy level elevation.
- 2.5.1.34 The wooden posts for guy anchorage compounds shall be a minimum of 100mmx 100mm and spaced a maximum of 3.048m apart. The wooden posts must be buried a minimum of 1.0m below grade with at least 1.5m above grade.
- 2.5.1.35 A yellow guy marker must be installed on the lowest guy level of every anchor. The marker must be installed at least 6.1m above grade to protect for vehicles 6.1m in height.
- 2.5.1.36 A man access gate must be installed at guy anchorages fences to allow personnel access.
- 2.5.2 Gate Installation
- 2.5.2.1 Install gates in locations as indicated in attached drawings.
- 2.5.2.2 Level ground between gateposts and set gate bottom approximately 40 mm above ground surface.
- 2.5.2.3 Gate posts shall be centered in the concrete and shall be plumb and in line within 6 mm (1/4"). Gate posts shall be set at the same elevation regardless of ground contour.
- 2.5.2.4 Determine position of center gate rest for double gate. Cast gate rest in concrete as directed. Dome concrete above ground level to shed water.
- 2.5.2.5 Install gate stops as required.
- 2.5.3 Touch up
- 2.5.3.1 Clean damaged surfaces with wire brush removing loose and cracked coatings. Apply two coats of organic zinc-rich paint to damaged areas. Pre-treat damaged surfaces according to manufacturers' instructions for zinc-rich paint.
- 2.5.3.2 Clean and trim areas disturbed by operations. Dispose of surplus material offsite.

End of Section

3.0 CAST IN PLACE CONCRETE

3.1 General

- 3.1.1 Design and install foundations and anchors to CSA A23.3-96 and CSA A23.1-94 respectively, except where specified otherwise.
- 3.1.2 Construct formwork and cast-in-place concrete work to CSA A23.1-94, except where specified otherwise.
- 3.1.3 Perform reinforcing work to CAN/CSA G30.18-M92 and welding of reinforcing to CSA W186-M1990, except where specified otherwise.
- 3.1.4 Cure and protect concrete work to CSA A23.1-94, except where specified otherwise.

3.2 Test Reports

- 3.2.1 A minimum of three cylinders will be taken from each truckload of concrete delivered to the site. The cylinders shall be forwarded to an independent testing firm and the results forwarded to the Technical Authority at the contractors expense.
- 3.2.2 Confirmation of strength, air content and slump shall be obtained for each load of cement delivered to the project. The results shall be forwarded to the Technical Authority.
- 3.2.3 If inspection or test results indicate that concrete materials do not meet the requirements of this specification, such materials shall be rejected and removed from the site at the Contractor's expense.
- 3.2.4 The Contractor shall be responsible for all costs associated with the replacement of concrete which does not meet the requirements set forth in this specification as determined by the Technical Authority. These costs include, but is not necessarily limited to, all concrete placement costs, all removal and disposal costs, all additional excavation costs, all additional testing costs, all additional Technical Authority costs, all additional design costs, and any other costs which may be directly or indirectly linked to the rejected concrete.
- 3.2.5 The Contractor shall notify the Technical Authority at least three (3) working days prior to placing concrete. Notification shall be in writing with a copy to the Owner.

3.3 Products and Materials

- 3.3.1 Lumber: plywood and wood form work materials to CSA A23.1-94.

- 3.3.2 Reinforcing steel: grade 400 deformed bars to CSA G30.18-M92 unless indicated otherwise.
- 3.3.3 Cement: to CSA A23.1-94, normal (type 10), sulphate resistant (type 50).
- 3.3.4 Water, fine aggregates, normal weight coarse aggregates: to CSA A23.1-94.
- 3.3.5 Chemical admixtures: to CAN3-A266.2-M78.
- 3.3.6 Non-shrink grout: premixed compound consisting of non-metallic aggregate, cement, and water reducing and plasticizing agents capable of developing minimum compressive strength of 50 MPa at 28 days.

3.4 Concrete Mixes

- 3.4.1 Except where indicated or specified otherwise use concrete mix designed to produce minimum compressive cylinder strength at 28 days of 30 MPa for tower foundation and 25 MPa for anchors. This shall be clearly indicated on design drawings.
- 3.4.2 Slump, unless noted otherwise, shall be 75 mm +/- 25 mm.
- 3.4.3 Air content shall be between 4 and 7% unless otherwise noted.
- 3.4.4 All concrete shall contain a water reducing agent such as "Possolith" by Master Builders, used in strict accordance with the manufacturer's instructions.
- 3.4.5 The maximum size of coarse aggregate shall be 19 mm.
- 3.4.6 If the air temperature is 5°C or less, the temperature of the concrete, at the time of placing, shall be between 15°C and 30°C.
- 3.4.7 All concrete exposed to exterior temperatures and weather in its final use shall contain an air-entraining agent. Total air content to be as specified in CSA Standard A23 for the particular size of aggregate being used. The air-entraining agent shall be compatible with the water reducing agent.

3.5 Execution and Workmanship

- 3.5.1 Place all anchors against an undisturbed front face.
- 3.5.2 Ensure that reinforcement and inserts are not disturbed during concrete placement.
- 3.5.3 Do not place concrete against any surface that is less than 5°C. Remove all snow and ice before placing.

3.6 Form work

- 3.6.1 Design all formwork in accordance with CSA Standard A23.
- 3.6.2 Only plastic or solid concrete block chairs will be accepted in order to maintain minimum cover requirements for rebar.
- 3.6.3 Withdraw all nails and thoroughly clean and repair all form materials before reusing.
- 3.6.4 Provide a 20 mm chamfer on all exposed corners.
- 3.6.5 Take necessary precautions to maintain the structure before and after forms are removed.
- 3.6.6 Take care that the concrete is not chipped or cracked while removing the forms. Pedestal forms to remain in place a minimum of 48 hours. Remove all forms above grade.
- 3.6.7 All formwork materials shall be removed from the excavations before backfilling. This includes both the tower base and gravity anchors.

3.7 Reinforcement

- 3.7.1 Clean all reinforcement of any loose scale, dirt, or other coatings that would destroy or reduce the bond. Reject bars with kinks or bends not shown on the drawings. Thoroughly clean all forms before installing reinforcement.
- 3.7.2 No field cutting, bending or displacement of any reinforcement shall be permitted for placement of weldments, anchor shafts or anchor bolts either before or after concrete is placed unless approval is given by the Technical Authority.
- 3.7.3 All reinforcement shall have a minimum of 75 mm concrete cover.
- 3.7.4 All reinforcement shall be placed so that it is a minimum of 75 mm above the bottom of the excavation. Reinforcement supports shall not transfer moisture to or cause the structural reinforcement to corrode. Rock or Clay brick are not to be used as reinforcement supports.
- 3.7.5 All footing foundations with an upper layer of reinforcing steel shall support the upper layers by use of bent spacers bars at 1.2m centers in each direction. The size and dimensions of the spacer bars are to sufficient to adequately support the top reinforcing layer.

3.8 Grouting of Base Plates

- 3.8.1 Use "In-Pact" preblended non-shrink dry pack grout as manufactured by C.C. Chemicals Ltd. or approved equal. All grout should be installed according to the manufacturer's written instructions.
- 3.8.2 Edges of grout should be tapered off at 45° to give a neat transition between base plates and concrete pedestals.

3.9 Curing and Protection of Concrete

- 3.9.1 Provide effective means of maintaining the temperature of concrete in place at a minimum of 10°C and a maximum of 30°C for three days after placing. When the mean daily temperature is less than 5°C provide protection for newly placed concrete by means of suitable enclosures or raised coverings, and insulation.
- 3.9.2 Insulation must be protected to prevent loss of effectiveness due to moisture.
- 3.9.3 The use of calcium chloride to accelerate curing is prohibited.
- 3.9.4 No loads shall be placed on newly poured concrete for a minimum of 7 days after the completion of the pour. Prior to erection of steel, the Technical Authority shall review the 7-day compressive strength test results.

3.10 Placement of Concrete

- 3.10.1 Consolidation of concrete should be performed by internal or immersion type vibration. Consolidation of the concrete by rods or shovels will not be permitted.
- 3.10.2 Place concrete in accordance with CSA A23.1-94. All concrete to be vibrated using high frequency internal or immersion type vibrators.
- 3.10.3 The Contractor shall ensure reinforcement and embedded items are not disturbed or displaced during concrete placement.

End of Section

4.0 TOWER AND RELATED STRUCTURES

4.1 General

4.1.1 Design, supply and erection of the towers shall be in accordance with the latest version of the following codes and standards, except where modified by the requirements of this Specification:

- CSA S37 01 Antenna Towers and Antenna Supporting Structures.
- CSA B33.4-1973 Galvanized Steel Tower Bolts and Nuts.
- ASTM A325M-00 High Strength Bolts for Structural Steel Joints
- CSA A23.1-94 Concrete Materials and Methods of Concrete Construction
- CSA A23.2 Test Methods and Standard Practices for Concrete
- CSA CAN3- A23.3-00 Design of Concrete Structures
- CSA S269.3-M92 (R2003) Concrete Formwork
- CSA G30.18-M92 (R2002) Welding of Reinforcing Bars in Reinforced Concrete Construction
- ACI Standard ACI-306
- ASTM A325 High Strength Bolts for Structural Steel Joints
- CSA Standard W59-M1984 Welded Steel Construction
- CSA-G40.20-G40.21 General Requirements for rolled or Welded Structural Quality Steel
- CSA-G40.21-M92 Structural Quality Steels
- CSA-G164-M92 Hot Dip Galvanizing of Irregularly Shaped Articles
- CSA-S16.1-01 Limit States Design of Steel Structures
- CSA-B72-M1987 Installation of Lightning Rods
- CSA-C22.1-SB02 Canadian Electrical Code, Part 1
- CSA-G4-00 (R2006) Steel Wire Rope for General Purpose and Mine Hoisting and Mine Haulage
- CSA-CAN3-G12-M92 Zinc Coated Steel Wire Strand
- W47.1-1992 Certification of Companies for Fusion Welding of Steel Structures
- W47.1S1-M1989 Supplement No.1-M1989 to W47.1-1983
- W59-1989 Welded Steel Construction (Metal-Arc Welding)
- Z259.2-M1990 Fall Arresting Devices, Personnel Lowering Devices and Life Lines
- Z259.1-1976 Fall Arresting Safety Belts and Lanyards for the Construction and Mining Industries
- Canada Labour Code
- Health and Welfare Canada
- Safety Code 6 Limits of Exposure to Radio-Frequency Fields at Frequencies from 10 kHz-300kHz,
- Provincial Occupational Health & Safety Act and Regulations
- National Building Code of Canada 2005
- Canadian Aviation Standards Document CARs 621.19 Tower Obstruction Markings
- RCMP Safety Regulations

4.2 Tower Design

- 4.2.1 Design Ice Load: Unless specified in the Scope of Work document, the towers shall be designed for a minimum ice loading of 50 mm of radial ice on all exposed surfaces, including members, guys, all attachments, and antenna components. The density of the ice shall be taken as 900 kg/m^3 .
- 4.2.2 Design Wind Load: The design shall be based on the Q_h site specific profile provided by Environment Canada.
- 4.2.3 The loading imposed on the tower by transmission lines and auxiliary lines - feeder lines, attached to it shall be based on the actual dimensions of the lines as determined from the manufacturer's specifications.
- 4.2.4 All towers shall be designed for a maximum twist / tilt not exceeding 1.5° . Maximum twist / tilt at each antenna level must be indicated on all preliminary and final tower designs.
- 4.2.5 The value of C_d shall be taken as 1.5 for flat feeders and 1.0 for round feeders.
- 4.2.6 Shielding of the transmission lines by the tower members, other feeders or attachments may be considered. When feeder lines are mounted on the inside of one face of the tower, shielding of the leeward lines may be considered, following the procedures outlined in "Commentary on Part 4 of NBCC 1990", Figure B-22. Shielding assumptions by the design engineer must be clearly stated, in writing, to the Technical Authority.
- 4.2.7 Loading from auxiliary facilities and attachments such as ladders, fall arrest rails, rest and transfer platforms, antenna mounts, ice guards, feeder line supports, lighting etc. must be considered in a similar fashion as to that of the transmission lines and feeders outlined above.
- 4.2.8 The Contractor shall submit detailed design calculations to support tower and foundation designs.
- 4.2.9 The contractor shall design all foundations and anchors based on the attached Geotechnical Report. In the absence of a Geotechnical report, the Contractor shall assume the following design parameters for soil and rock conditions:
- Soil:
 - a. Earth pressure coefficients for undisturbed glacial till:
 $K_a = 0.31$; $K_p = 3.26$
 - b. Earth pressure coefficients for compacted glacial till:
 $K_a = 0.33$; $K_p = 3.00$
 - c. Unit weight of undisturbed dry till = 1800 kg/m^3
 - d. Unit weight of compacted dry till = 1800 kg/m^3
 - e. Allowable Bearing Pressure on undisturbed glacial till = 200 kPa

- f. Allowable Bearing Pressure on structural fill = 150 kPa
 - g. Groundwater level = at surface
 - h. Frost Penetration = 1.2m
 - i. Drained angle of internal friction (undisturbed till) = 38°
 - j. Drained angle of internal friction (compacted till) = 34°
- Rock:
 - a. Specific gravity = 2.5
 - b. Unconfined compressive strength of intact rock = 65 MPa
 - c. Shear Strength = 5.4 MPa
 - d. Estimated RQD = 70%
 - e. Design Water level = at surface
 - f. Allowable Bearing Pressure = 1000 kPa
 - g. Depth to sound rock = 0.5m

- 4.2.10 If the site is not known to be soil or rock, assume soil conditions
- 4.2.11 The Contractor shall design ice shields for all antennas, lights and photocells below the top mounted antenna. The design of the structure shall consider all loads imposed by all ice shields (both initial and future).
- 4.2.12 The tower design engineer of record shall have a minimum of 5 years of communication tower design experience and shall be prepared to fully support all assumptions made with regard to the tower design. These assumptions shall be clearly stated on correspondence, which accompanies the design drawing, complete with back up information, calculations, etc. The design engineer of record shall be clearly stated on all drawings.
- 4.2.13 Where requested by the Technical Authority, the design engineer must provide additional information to verify design adequacy or respond to Technical Authority queries. This information shall be provided at the Contractor's cost, in written form under the professional seal of the engineer of record.
- 4.2.14 Secondary members may be used to reduce the unbraced length of a leg or bracing member. They are not considered to directly resist the applied loads.
- 4.2.15 In determining unbraced length, a member that is considered to provide lateral support to a compression member shall be capable of resisting a force, either in tension or compression, acting perpendicular to the axis of the corresponding radius of gyration and equal to the percentage of the maximum capacity in the compression member given below. A different value may be used where indicated by suitable analysis. This force need not be applied simultaneously with primary design forces for conventional lattice towers.

Percentage of Axial Compressive Capacity for Lateral Support:

L/r of Compression Member	% of Axial Capacity
0 to 60	1.5
61 to 100	2.0
101 to 200	2.5

If the angle between the leg and the main diagonal of a K-brace panel is less than 25°, the

forces given by the table noted above may not be adequate. For these cases an analysis shall be completed taking into account eccentric and secondary stresses and member deformations.

- 4.2.16 These nodal forces are not additive to the primary design forces in the structure, but where the design forces in the primary members supporting the secondary bracing are less than the forces due to the nodal loads, the larger value shall be used.
- 4.2.17 The unbraced length, L , for any cross sectional axis of a member shall be taken as the distance along the axis of the member between the points at which it is intersected by the axes of the members providing support for that axis. The unbraced length may vary for different cross sectional axes of the member. Secondary members that do not directly resist the applied loads may be used to reduce the unbraced length of a member.
- 4.2.18 The slenderness ratio of a member is L/r , where r is the radius of gyration of the member on the axis perpendicular to the unbraced length under consideration.
- 4.2.19 The effective length factor, K , modifies the unbraced length, L , to take into account the structural configuration, including the rotational restraints and end connections.
- 4.2.20 The effective slenderness ratio, KL/r , is the ratio of the effective length, KL , to the corresponding radius of gyration, r .
The maximum effective slenderness ratio for compression members shall be:
- 120 for leg members;
 - 200 for main members carrying design compression forces, other than leg members;
 - 240 for secondary members
- 4.2.21 The maximum effective slenderness ratio for tension only members, and components of built up members not in tension under initial loading conditions, shall be 300 unless other means are provide to control flexibility, sag, vibration, slack and other similar effects.
- 4.2.22 The w/t ratio of an angle member in compression shall not exceed 25, where w is the effective leg width and t is the nominal leg thickness.
- 4.2.23 The tower design engineer shall ensure that the tower twist and tilt design criteria is adequate to limit antenna movement based on manufacturer requirements and prevalent site conditions.
- 4.2.24 The tower design shall be clearly indicated on a tag permanently affixed to the tower base to include but not limited to the Manufacturer name, Contractor project number, year of installation, design code, tower height, and wind and ice design parameters.
- 4.2.25 Each guy assembly shall have a tag affixed to include but not limited to, the guy size, type (BS, GS, or EHS), and initial design tensions.

4.3 Antennas and Transmission Lines

- 4.3.1 Each antenna specification is located in the Scope of Work document. Prior to final design, the Contractor shall verify all antenna information including manufacturer, type, height, azimuth, lines, etc. Final design should proceed only with written confirmation from RCMP.
- 4.3.2 All antenna azimuths are referenced with regard to True North.
- 4.3.3 Towers shall be designed to accommodate any azimuth orientation of the antennas. Final azimuth to be determined by Owner.
- 4.3.4 Only initial mounts shall be supplied and installed under this contract.
- 4.3.5 All future antennas, lines, mounts and ice shields shall be incorporated in the tower design. Only lines and antennas marked as "initial" will be supplied and installed under this contract.
- 4.3.6 The Contractor shall be responsible for the installation of all systems as per the manufacturer's recommendations. All antenna / tower interface hardware not normally supplied by the antenna manufacturers shall be the responsibility of the tower Contractor. It shall be the Contractor's responsibility to determine any additional material required to mount the antennas to the tower structure. This shall include all antenna struts, mounts, special attachments, bolts, etc. The Contractor shall liaise with the antenna manufacturers or suppliers to obtain adequate information required to design proper mounting interface components.
- 4.3.7 The Contractor shall be responsible for the procurement and installation of all lines and antenna systems, including line hangers, ground kits, connectors, hoisting grips, threaded rod, and other necessary hardware. Installation shall be in accordance with the manufacturer's recommendations.
- 4.3.8 All transmission line hangers shall be heavy duty stainless steel and placed to lesser of the manufacturer's recommendations or a maximum distance of 1200 mm center to center. Bolted hangers are preferred unless the tower is designed for snap in hangers.
- 4.3.9 Stacking hangers shall not be used.
- 4.3.10 The Contractor shall design, supply and install new mounts for all initial RCMP antennas. All antenna mounts, mount hardware and line hangers shall be heavy duty hot dip galvanized or stainless steel. Materials prone to rust or corrosion are not acceptable.
- 4.3.11 The Contractor shall provide design drawings for all initial and future mounts considered in the tower design.
- 4.3.12 The Contractor shall supply adequate manpower to complete antenna installation, testing and optimization. The Contractor will be required to coordinate all work with RCMP.
- 4.3.13 The Contractor shall replace all transmission lines, antennas, hangers, or any other item found to be defective or found to be not in compliance with this specification as a result

of the Contractors installation or lack of adequate protection. Any lines found to have moisture infiltration, shall be replaced by the Contractor at the Contractor's cost.

- 4.3.14 The Contractor shall be responsible for checking all material against the material list and protection of the material until it is installed and accepted by the Owner.
- 4.3.15 The antenna elevations are referenced from ground level to the center of the antenna. Deviations from these centers of radiation greater than ± 0.5 m must be reported to the Engineer.
- 4.3.16 All antennas are to be installed at the specified center of radiation, unless otherwise approved by the Owner.
- 4.3.17 The Contractor shall assemble the new antenna systems from a packaged state as supplied by the manufacturer. The Contractor shall provide all tools, work platforms or surfaces, blocking, and all other equipment necessary to properly assemble and install the antennas, transmission lines, hangers, cables, and conduit. Any on site storage will be the responsibility of the Contractor.
- 4.3.18 Antenna assembly and installation must be completed in accordance with the manufacturer's instructions and acceptable industry standards. Antennas or antenna components damaged accidentally prior to full acceptance by the Owner shall be replaced at the Contractors expense. Replacement will be completed so as not to delay project completion.
- 4.3.19 The Contractor shall install the antennas so that the bottom of the antenna is higher than any bottom boom arm in a double boom arm mount. Antennas are not to be mounted prior to lifting it into place.
- 4.3.20 A hoisting grip shall be installed and used to facilitate transmission line installation as recommended by the manufacturer. The hoist grip shall be connected to the tower after final placement of the line. The connection shall be made using a suitable galvanized connector. Connections may be made to secondary members such as transmission line support brackets, redundant horizontals, antenna mount members, or on primary members where special allowance has been made for such a connection.
- 4.3.21 Transmission line installation shall be in accordance with manufacturer recommendations and best industry standards.
- 4.3.22 Transmission lines shall not be installed on the upper side of horizontal boom arms where they may be damaged by workers accessing antennas.
- 4.3.23 Transmission line hangers shall be installed in accordance with manufacturers recommendations.
- 4.3.24 The minimum diversity requirement for antennas of the same sector is three meters, two meters for antennas in different sectors and a vertical separation of 1 meter.
- 4.3.25 The transmission lines shall be equipped with permanent tags located at the base of the tower. These tags shall clearly indicate type of line, antennas, antenna azimuth, etc.

- 4.3.26 The Contractor shall provide assistance to the RCMP technicians in completing the antenna sweeps.

4.4 Transmission Line Grounding

- 4.4.1 All transmission lines shall be grounded in accordance with C.S.A. and manufactures recommendations.
- 4.4.2 Ground kits shall be constructed of non braided solid copper and shall meet or exceed the requirements of the transmission line manufacturer.
- 4.4.3 The Contractor shall provide a copper ground bus bar at the level of the top and the base of the tower, approximately 500mm above the waveguide bridge. The ground riser shall be connected to this copper ground bar.
- 4.4.4 All ground kits where applicable shall be connected to the top, bottom and waveguide port buss bars. Alternatively the ground kits can be attached to the tower ground riser where a connection cannot be made to the buss bars provided.
- 4.4.5 The tower ground riser shall be connected to the buss bars located at the base and top of the tower.
- 4.4.6 The maximum spacing of ground kits shall be a maximum of 60.0m or as specified by the transmission line manufacturer.
- 4.4.7 The connection point on the ground riser or tower shall be lower than the connection point on the transmission line. The ground kit shall be placed a maximum of 3.0m above the first connection to the tower or 3.0m below the antenna to tower attachment unless the design of the tower prohibits. In this case the Technical Authority shall be notified and a remedial solution provided.

4.5 Materials

- 4.5.1 Preference shall be given to the use of structural steels with improved resistance to brittle fracture. A36 modified steel is not acceptable. All materials to be used in the tower shall be new and in accordance with the requirements of CSA S37 01.
- 4.5.2 Use of material sections less than 5 mm in thickness will not be permitted on primary or secondary structural members. Sections used for attachment or support of auxiliary facilities may be permitted, subject to review by the Technical Authority and submission of detailed calculations by the design engineer.

- 4.5.3 Hollow sections will not be permitted on primary or secondary structural members which include tower legs, horizontals and diagonals.
- 4.5.4 Two copies of mill test certificates for each lot of steel received from the mill by the Contractor shall be forwarded to the Technical Authority. These certificates shall record results of tests indicating Yield Strength, Ultimate Tensile Strength, Percent Elongation and Chemical Composition.

- 4.5.5 Mechanical tests shall be performed in accordance with the procedures outlines in ASTM Methods and Definitions for Mechanical Testing Steel Products, Serial Designation A370. The Contractor shall forward certificates of test results to the Owner, at least two (2) weeks prior to the commencement of fabrication of structures incorporating the related material.
- 4.5.6 All guys shall be one continuous length Bridge Strand, 1 x 7 Grade 180 Guy Strand or EHS unless noted otherwise in the drawings. All guy properties must be clearly indicated on design drawings and the wires must be manufactured in North America. Each cut guy end of wire shall be equipped with an ear clamp, stainless steel hose clamp or other approved mechanisms or processes to ensure that the strand does not "broom" open or otherwise become a hazard or maintenance problem.

4.6 Connections

- 4.6.2 Connections in the shop may be bolted or welded. All site connections shall be bolted.
- 4.6.3 Make all welded connections in conformance with CSA Standard W59.1. Use only low hydrogen electrodes or processes of equivalent rating. All weld designs shall be clearly indicated on the design drawings.
- 4.6.4 Make all bolted connections with high strength bolts conforming to ASTM Standard Specification A325. Place a hardened washer under the bolt element (nut or bolt head) turned in tightening the bolt.
- 4.6.5 Tighten all bolts from snug tight condition by the turn of the nut method as specified in CSA Standard S16.1-94. When all bolts in a connection are tight, bolt tension must not be less than the value shown in the following table:

Bolt Diameter		Min. Bolt Tension*
Inches	mm	kN [kip]
2	--	53 [12]
5/8	--	85 [19]
--	16	91
3/4	--	125 [28]
--	20	142
7/8	--	174
--	22	176
--	24	205

**Equal to 70% of the minimum tensile strength given in the appropriate ASTM Standard, soft converted where appropriate and rounded to the nearest kilonewton.*

- 4.6.6 Power wrenches may be used to assist in installing bolts, provided they are of the adjustable type capable of cutting-out when bolts are snug tight.

- 4.6.7 After the tower has been completed, check all bolted connections, including those on miscellaneous metal work, and retighten all loose bolts. Exercise care that bolts adequately tightened are not subjected to additional rotation of the turned element. All damaged nuts or bolts shall be replaced.
- 4.6.8 The single bolt connection, either at the end of a member or at an intermediate support, shall not be considered to provide rotational restraint.
- 4.6.9 A multiple bolt connection shall be considered to provide rotational restraint where the connection is to a member capable of resisting rotation in the required plane.
- 4.6.10 Where a bracing member is connected to a leg member through a gusset plate by a multiple bolt connection, the bracing member may be considered restrained in the plane of the plate at the centroid of the connection. A gusset plate shall not be considered to provide restraint traverse to the plane of the plate.
- 4.6.11 Where analysis or tests show that a specific detail provides restraint differing from the requirements noted above, the effective slenderness ratio may be adjusted accordingly.
- 4.6.12 The factored resistance of the member and its connection in tension shall not be less than one third of the calculated factored compressive resistance unless erection and all other forces have been considered.
- 4.6.13 Where the threaded section of a bolt intercepts any shear plane the factored shear resistance of the bolt shall be reduced by a factor of 0.7.
- 4.6.14 The minimum resistance of a splice shall not be less than the maximum design force in the member, and where practical should equal the design resistance of the member. The splice shall provide sufficient stiffness to ensure the continuity of the member.
- 4.6.15 For splices that transfer compression by bearing, the mating surfaces shall be finished to bear. The splice shall have a minimum tensile resistance equal to the maximum tension force, but not less than 33% of the compressive resistance of the member, except where the design force in the splice is compression only, and a lower tension value can be justified by an engineering study taking into account the dynamic and erection forces in the member.
- 4.6.16 For gap splices the eccentricity between the centroid of the member and the centroid of the splice plates shall be taken into account in the design of the splice plates and bolt groups. Where compression forces govern, the splice shall be designed to develop the compressive resistance of the member.
- 4.6.17 For flange type splices in tension, the effects of prying action shall be considered in the design of the bolts and connecting parts.

4.7 Workmanship

- 4.7.1 Workmanship and finish throughout shall be equal to the best modern practice for this class of construction. All members shall be in accordance with the drawings and shall be straight and true. All like parts shall be interchangeable.
- 4.7.2 All punched holes must be accurately located so that the structure can be erected with a minimum of "drifting".
- 4.7.3 The ends of members shall be clipped as required to facilitate assembly.
- 4.7.4 In any bending or reworking of any material, methods employed shall ensure that the physical properties of the material are not impaired.

4.8 Marking

- 4.8.1 A number shall distinctly identify each separate member. Each member shall be clearly marked with its member number to facilitate erection.
- 4.8.2 All like parts shall have the same number.

4.9 Punching

- 4.9.1 Punching shall be done by methods designed to ensure accuracy. The center of any hole shall, in no case, be displaced more than 1.5 mm from its position shown on the drawings.
- 4.9.2 Plugging or welding mispunched holes will not be allowed.
- 4.9.3 Punches and dies shall be sharp and true and all punch holes shall be round, true to size, and free from ragged edges and burrs.
- 4.9.4 Where applicable, punching performed on bent members shall be done after bending to avoid distortion of holes.

4.10 Welding

- 4.10.1 All welding shall be performed in accordance with CSA Standard W59 latest revision and shall be undertaken by a fabricator fully approved by the Canadian Welding Bureau to the requirements to CSA Standard W47, latest revision.
- 4.10.2 Field welding is not permitted.

4.11 Handling of Material

- 4.11.1 Materials shall be handled and stored in the plant and on the job site in such a manner that no damage shall be done to the materials of any existing building or structure.
- 4.11.2 Special care shall be taken to ensure that galvanizing, priming, or painting is not damaged during handling and erection of materials.
- 4.11.3 Storage of materials on the site will be the responsibility of the Contractor.

4.12 Galvanizing

- 4.12.1 All materials and fittings, including bolts, nuts and washers shall be hot dip galvanized to the requirement of CSA S37 01 and the standards specified therein. The galvanizing applied to structural members shall have a minimum Zinc mass of 610 g/m² (2.0 oz/ft²), equivalent to a thickness of 87 μm (3.40 mils). The galvanizing applied to bolts, nuts and threaded fasteners shall have a minimum Zinc mass of 460 g/m² (1.5 oz/ft²), equivalent to a thickness of 65 μm (2.54 mils).
- 4.12.2 All materials shall be completely fabricated before galvanizing. No galvanizing shall be permitted on assemblies after being bolted. No machine or shop work shall be allowed after galvanizing (except the tapping of nuts).
- 4.12.3 Before galvanizing, the steel shall be thoroughly cleaned of all paint, grease, rust, scale or other materials that will interfere with proper binding of the zinc with the steel.
- 4.12.4 Tests for uniformity and consistency of galvanized and painted coatings shall be made from time to time on as many samples as may be considered necessary by the Owner. Such tests shall be conducted in full accordance with the requirements of CSA S37 01 and the Contractor shall forward the standard recording results of the foregoing tests to the Owner. The Contractor shall be responsible for all costs associated with these tests.
- 4.12.5 The Contractor shall field paint all steel members of the tower where the galvanized finish has been scrapped or chipped during erection in the field. This shall be done using Loctite Extend or an approved equal. Steel members that have a slightly damaged finish shall be given three coats, applied according to the manufacturer's printed instructions.

4.13 Painting

- 4.13.1 If requested by the Owner the towers shall be painted. Unless otherwise stated, all towers shall be unpainted with daytime white lighting system and night time red obstruction lights to meet the requirements of the latest edition of the Canadian Aviation Standards Document CARs 621.19.
- 4.13.2 Properly formulated hot or cold phosphate solutions shall be used to remove oil, grease or other soiling on the galvanized surfaces prior to painting.
- 4.13.3 A suitable primer is galvanized-iron primer DEVGUARD 4120, or approved equal. The prime coat shall have a dry film thickness of 1.5 mils minimum.
- 4.13.4 The finish coat shall be single coat of Alkyd based enamel, capable of being applied to a dry film thickness of 2.25 mils minimum. The enamel colors shall be International Orange and White. Suitable alkyd paints are DEVGUARD 4308. All paints must meet ASTM performance requirements for abrasion resistance, pencil hardness, flexibility, and salt spray resistance.
- 4.13.5 All paint shall be applied under controlled shop conditions in accordance with manufacturer's recommendations. Paint shall be evenly spread and free from all brush marks, stains, defects and flaws.
- 4.13.6 No painting shall be done when the temperature is lower than 10°C and/or humidity is greater than 50%. No painting shall be done when the tower metal is hot enough to cause paint to blister and produce a porous coating. No coat of paint shall be applied until the previous coat is thoroughly dry as per manufacturer's recommendations. Any areas damaged during transit or erection shall be cleaned and touched up with new primers and/or paint as required, in accordance with manufacturer recommendations.
- 4.13.7 Contractor shall be responsible for damage done by paint spraying or dripping on Owner or other's property.
- 4.13.8 Contractor shall warrant all paintwork for a period of not less than 3 years. Any damage to the paint, from environmental conditions at the site, shall be repaired by Contractor at no cost to Owner, in a manner approved by Owner.

4.14 Erection

- 4.14.1 Only qualified and experienced personnel shall be utilized to complete the erection of RCMP towers. Contractor shall be prepared to provide resumes of all project personnel.
- 4.14.2 The tower shall be erected in a manner that will not bend, scrape, distort, or injure the component parts of the galvanizing.

- 4.14.3 Contractor shall not use iron sledges for hammering or driving any members. All hammering is to be done with wooden mauls or hammers of plastic, lead or other soft material.
- 4.14.4 Every failure of the material to join together properly shall be reported to the Owner.
- 4.14.5 Upon completion of erection, the tower shall be inspected by the Contractor for member damage. Any damaged or missing items, including nuts, bolts, etc., shall be replaced.
- 4.14.6 The Contractor shall be responsible to ensure that no members of the tower are overstressed during erection. Any members damaged during erection shall be replaced. The Contractor shall be responsible for any damages done to the work of others, or to adjoining structures and property during erection.
- 4.14.7 Upon completion of tower erection, the guys shall be adjusted to +15% and -5% of their specified initial tension, such that with a wind speed of 15 km/hr, the out of plumb between any two elevations on the structure shall not exceed 1 in 500.
- 4.14.8 The guy tensions shall be adjusted to within +15% and -5% of the stipulated design tensions noted in the design drawings. The tension calculations shall consider the ambient temperature at the time of adjustment. Full consideration of anchor location with respect to the tower base must be incorporated into the calculation of correct guy tensions. It shall be the Contractor's responsibility to obtain accurate measurements pertaining to elevation differences between the tower base and guy anchors.
- 4.14.9 The tower, after erection, shall be free of any visible twist or deflection. The Contractor shall use a three-transit set up to complete final adjustment of vertical alignment and twist.

4.15 Reinforcing Steel

- 4.15.1 Do not field cut, bend or displace any reinforcement to permit placing weldments or anchor bolts either before or after concrete is placed unless approval is given by the Engineer.
- 4.15.2 Clean all reinforcement of any loose scale, dirt, or other coatings that would destroy or reduce the bond. Reject bars with kinks or bends not shown on the drawings. Thoroughly clean all forms before installing any reinforcement.

4.16 Grouting of Base Plates

- 4.16.1 For base plates, use In-Pact preblended non-shrink dry-pack grout as manufactured by C.C. Chemicals Ltd. or approved equal. All grout shall be installed according to the manufacturer's instructions. Edges of grout for both tower bases and waveguide bridge

piers shall be tapered off at 45° to give a neat transition between base plates and concrete pedestals.

4.17 Auxiliary Features

4.17.1 General

The following facilities shall be considered an integral part of the tower contract and shall be designed, supplied and erected as such. In mounting any of these auxiliary facilities, care shall be taken that the structural members of the tower are not weakened by the drilling of holes or any other means.

4.17.2 Ladder

The tower shall be equipped with a climbing ladder complete with a CSA approved safety rail. The ladders shall be bolted to the tower and shall conform to the latest version of CSA S37 01. Integral ladders are acceptable for all weld towers. The climbing ladder shall be positioned such that a safe climbing circle of a minimum 660mm is obtained. Climbing Pegs are not acceptable.

4.18 Working Area Platforms

4.18.1 It will not be necessary to provide working area platforms at obstruction light and antenna levels unless warranted by CSA S37 01.

4.19 Access to Obstruction Lights

4.19.1 The tower design shall accommodate safe access to service and maintain obstruction lighting. Where tower lights are located in excess of 100 cm from a climbing ladder, suitable access and climber support shall be provided for both guyed and self-support towers. Access to obstruction lights shall include provision of a suitable fall arrest system approved by the Owner.

4.20 Antenna Mountings

4.20.1 Suitable mountings shall be provided to mount the initial antennas on the tower. Care shall be taken to assure that these mountings have adequate strength and rigidity and that they meet the manufacturer's requirements. Mounts for future antennas shall not be included in the Work. All mounts shall be designed to facilitate the loading conditions prevalent to the site.

4.20.2 Pinwheel mounts and boom arms shall be designed to carry all intended antennas and lines under design load conditions.

4.20.3 Pinwheel mounts and boom arms shall also be designed to support the weight of maintenance personnel who may be at the outer limit of the pinwheel. For purposes of design it should be assumed that the pinwheel and its connection to the tower can support a minimal load of 500 lbs applied at the end of the pinwheel mount, in addition to the antenna and transmission lines under design load conditions.

4.21 Transmission Line Supports

- 4.21.1 Supports shall be provided to support the transmission lines at the elevation of all antennas.
- 4.21.2 Lines are to be supported and restrained at centers suitable to the manufacturer's requirements and mounts are to be installed on the outside face of the tower. The maximum spacing between supports shall be as per manufacturer's recommendations based on site-specific environmental loading, but installed so as not to interfere with climbing. Maximum hanger spacing shall be approved by Owner or Owner's representative.
- 4.21.3 All horizontal runs of transmission lines shall be protected from falling ice in a manner approved by the Engineer.

4.22 Ice Protection

- 4.22.1 Three U-Bolt clips are to be spaced 300 mm apart, directly above the grounding connection and guy markers on each guy.
- 4.22.2 Ice Shields shall protect all obstruction lights.
- 4.22.3 All antennas below the top antenna shall be protected by ice shields. The design of the ice guards for antennas shall incorporate the following:
- i. Installation and removal of the antenna shall not be hindered or if this is not possible, the canopy must be capable of supporting the weight of the antenna and any material necessary to hoist it into place.
 - ii. Future re-orientation of the antenna shall not be hindered.
 - iii. The entire exposed top surface of the antenna must be protected.
 - iv. The ice guard shall be designed to carry a live load of 1.95 kPa and site-specific wind loads.
 - v. Ice guards shall be constructed with solid struts. Cable supports are not acceptable.
 - vi. Ice guards shall be constructed with a sloped top surface to deflect falling ice away from the tower.

4.23 Turnbuckles and Shackles

- 4.23.1 Turnbuckles and shackles shall be Crosby, manufactured from AISI 1035 steel, heat treated, and shall be hot dip galvanized in accordance with the requirements of the latest version of CSA Standard S37-01. The minimum turnbuckle length shall be 457 mm. The tower design shall provide full articulation at anchor and tower ends of each guy.

- 4.23.2 Install all turnbuckles so as to provide a minimum of 250 mm of take-up for future adjustment. Provide a locking device for each turnbuckle. The locking device shall consist of vinyl-coated cable or an approved equivalent.

4.24 Bridge Sockets

- 4.24.1 Bridge sockets shall be sized to provide a minimum of 1220 mm of adjustment. The sockets shall be installed so as to provide a minimum of 760 mm of take-up for future adjustment. The bridge sockets shall be made of heat-treated steel.

4.25 Waveguide Bridge

- 4.25.1 The waveguide bridge shall be supplied and installed as per approved design drawings. The waveguide bridge must protect transmission lines at all times.
- 4.25.2 The waveguide bridge must be independent of and not directly connected to the tower structure or the building. The bridge should be supported by a minimum of two waveguide bridge posts.
- 4.25.3 The waveguide bridge shall be designed to carry all initial and future waveguides, cables and conduits. The waveguide shall be supported on cable hangers connected to a trapeze style support system of stainless steel threaded rod or galvanized bar hangers and two levels of horizontal trapeze angles suitable and elevated to run directly into the waveguide window.
- 4.25.4 The Contractor shall provide a suitable adjustable plate extension to the bridge to protect the lines between the bridge and the building and the bridge and the tower. This plate must taper to the full width of the waveguide window or waveguide ladder on the tower.
- 4.25.5 Waveguide posts shall be fabricated with welded 100 cm x 100 cm ears at the base, to facilitate connection of the grounding system. Ears shall permit exothermic connection of the grounding system.
- 4.25.6 Unistrut or Cantruss sections are not acceptable for use on the waveguide bridge.

4.26 Anti-climb Devices

- 4.26.1 When required self-support and guyed towers are to be provided with an Anti-climb facility on the structure that will stop unauthorized access of the structure. Detailed drawings will be approved by the Technical Authority.
- 4.26.2 The Anti-climb panel type, shall incorporate a 11 or 12 gauge (3.13mm<X<4.67mm) continuous galvanized steel panels bolted flush to the structure using round headed hardware which cannot be used as a step or hand hold. The panel height should be a minimum 10 ft with the lower edge positioned as close to the tower base as possible,

leaving not more than 10 inches of space between the tower base and the bottom of the anti-climb panels. When required access should be prevented from both outside and inside the tower.

4.26.3 Exposed edges of the anti-climb shall be hemmed.

4.26.4 Barbed wire or expanded wire mesh shall not be permitted as part of the anti-climb.

4.26.5 For self support towers the anti climb, as a minimum, shall be such to prevent access to the climbing ladder. The design of the anti-climb for self-support and guyed tower should also incorporate the type of hanger support found on each side off the ladder or the tower face.

4.26.6 Platform type anti-climbs shall incorporate steel framing necessary to provide work platform capacity while supporting open plate grating. This facility will have a hatch or door type that can be easily opened for access to the structure while on the climbing facility.

4.27 Fall Arrest Safety Device

4.27.1 The Contractor shall design, supply and install a CSA approved Fall Arrest rail to meet the latest version of CSA Standard Z259.1-1990 and CSA Standard Z259.10-M1990. Cable fall arrest systems are not acceptable.

4.27.2 The tower structure shall be equipped with a continuous fall arrest rail from the base to the topmost projection of the structure.

4.27.3 The fall arrest rail shall be come complete with two CSA approved trolleys. Trolleys shall be supplied with lock safe clips for attachment to front D ring of a CSA Approved full body harness.

4.27.4 Fall arrest systems shall be designed to include rotatable pinwheels and access to antennas mounted to pinwheel booms.

4.27.5 Fall arrest rails shall not extend above the top of the tower and shall be supplied with a removable stop bolt at the top of the rail.

4.27.6 Any discontinuity of a fall arrest system shall be clearly marked by Owner approved signage prior to and after the location in question.

4.28 Warning Signs

- 4.28.1 The Contractor shall supply and install warning signage at the base of each tower structure to indicate that the tower shall be accessed only by trained individuals. In addition, caution signs shall be installed above and below each obstruction or change of climbing facility.
- 4.28.2 Tower base signs shall be 400mm by 400mm and shall incorporate black lettering on an orange background.
- 4.28.3 Tower caution signs shall be 75mm by 200mm and shall incorporate black lettering on an orange background.
- 4.28.4 Signs shall be weatherproof and not degrade as a result of prolonged exposure to the elements.
- 4.28.5 Signs shall be mounted at the base of the tower so as to be clearly visible to tower climbers. Placement of the sign shall not impede authorized climbers:
- i. The English language sign shall read: **“Warning, Do Not Climb Tower Unless Equipped and Trained in Accordance with Labour Canada Regulations. PWGSC”**
 - ii. The French language sign shall read: **“Attention: ne montez pas dans les tours à moins de porter l’équipement et d’avoir reçu la formation prévus dans la réglementation canadienne du travail”**
- 4.28.6 Sample signs are attached in Appendix A for illustration purposes only.

4.29 Tower Demolition and Removal

- 4.29.1 Demolition and removal shall include tower base, guy anchor foundations and waveguide bridge to a distance of 300mm below grade unless otherwise approved in writing by the Owner.
- 4.29.2 Removal includes all antenna mounts, TX lines, climb ladder, etc. These items shall be salvaged if requested by the Owner. If salvage is requested it shall be facilitated at no additional charge and neatly stored on site.
- 4.29.3 Towers must be demolished using a gin pole to remove a section at a time such that damage to the adjacent structures and existing building is avoided. Other methods shall only be utilized if approved by the Technical Authority.
- 4.29.4 The Contractor shall dismantle and dispose of the existing tower and associated components. These components shall include, but not necessarily be limited to tower

steel, guys, antenna mounts, anchor assemblies above grade, waveguide bridge, conduit, lights, ladders, etc.

- 4.29.5 The tower shall be dismantled in such a manner so as to pose no threat to the new tower and antennas or transmitter building. Responsibility for any and all damage to property as a result of the dismantling and disposal of the existing tower shall be the sole responsibility of the Contractor. Protection of the general public is of paramount importance.
- 4.29.6 The Contractor shall provide sufficient detail to the Owner and Technical Authority with regard to the proposed method of dismantling the towers. Details should include measures to safeguard existing structures on adjacent property and protection of the general public. This method must be reviewed by the Technical Authority hired by the Owner prior to the start of work and include sketches and calculations if required. This review shall not relieve the Contractor of any responsibility or liability with regard to the dismantling process.
- 4.29.7 The Contractor shall provide the Owner with a minimum notice of 5 working days of the tower dismantling start.

- 4.29.8 The Contractor shall dispose of material in a manner approved in writing by the Owner and shall provide written documentation with regard to where and how the material will be disposed. On site disposal is not permitted. Materials that can be recycled shall be disposed of in this manner.
- 4.29.9 Foundations must be demolished to 300mm below grade minimum, where applicable, and site left in a neat and tidy condition. Foundations on rock shall be removed to grade level. Some backfill may be required to reinstate the site where foundations are removed below grade. This shall be included in the tender bid price as part of the demolition.
- 4.29.10 No removal can begin until antenna systems are installed on the new tower. After the antennas are installed and operating to the Owner's satisfaction, removal may proceed.
- 4.29.11 Verify with the Owners rep to confirm salvaged items.

End of Section

5.0 ELECTRICAL

5.1 Grounding

- 5.1.1 Please See Appendix C.
- 5.1.2 The Contractor shall be responsible for the supply, installation and testing of a complete permanent continuous grounding system for the site, including tower (continuous in tower ground), tower base, tower guys, waveguide bridge, waveguide bridge posts, fence, and equipment shelter.
- 5.1.3 The contractor shall install proper warning tape 500mm all buried ground wires.
- 5.1.4 The grounding design shall be as noted in the attached Appendix unless the existing site topography and soil / rock conditions warrant a special design as recommended and developed by the Owner.
- 5.1.5 When a new tower is located on a previously existing site, all new grounding systems must be bonded to the existing grounding system as directed by RCMP.
- 5.1.6 All bonding and grounding provisions shall conform to CSA Standard C22.1.
- 5.1.7 Provide sacrificial anodes at each gravity anchor to suit soil conditions.
- 5.1.8 Ground rods and conductors to be located 1.5 m (min.) from the tower base and anchor foundations and will tie in to existing systems where available and where directed by the Owner.
- 5.1.9 Ground rods that cannot be driven vertically shall be placed in a 76mm diameter drilled hole, filled with a Bentonite and water mixture. The procedure for placing the ground rod in Bentonite is as follows:
1. Drill 76mm diameter hole in rock, 3m deep.
 2. Pour water 1/3 height of the hole.
 3. Insert ground rod.
 4. Add Bentonite powder in hole, alternating with water.
- 5.1.10 All ground wire is to be #2/0 stranded copper wire. Exposed above grade copper wire shall be vinyl coated copper. Below grade ground conductor shall be bare and be buried a minimum of the frost depth into undisturbed earth.
- 5.1.11 The ground riser shall be vinyl coated (non-tinned) and attached to the tower with approved connectors.
- 5.1.12 All self-support towers shall have a copper lead from each leg connected to a ground rod. A total of six ground rods will be required to be connected to the tower base ground ring. Tower design shall incorporate 100mm X 100mm grounding lugs on all tower legs and

waveguide posts. These lugs shall be suitable for connection of ground conductors by exothermal welding.

- 5.1.13 All guyed towers shall be grounded via connections at the leg and #2/0 stranded copper extending from each leg to a ground rod at the base of the tower. The ground rods shall be connected to the tower base ground ring and a #2/0 copper ground lead shall extend from the base ground ring to each anchor ground rings. Tower design shall incorporate 100mm X 100mm grounding lugs on all tower legs and waveguide posts. These lugs shall be suitable for connection of ground conductors by exothermal welding.
- 5.1.14 The tower Contractor will connect tower, guys and waveguide bridge piers to the grounding system as follows:
- .1) to the tower-using exothermic welding on fabricated ground plates or lugs.
 - .2) to the guy wires - using Burndy KVSU connectors, such that adverse reactions of different materials will not occur.
 - .3) wire to wire connections underground - using exothermic welding.
 - .4) conductor to ground rod using exothermic welding
 - .5) conductor to lightning rod using Burndy KSU connectors
 - .6) wire to waveguide post terminal using exothermic welding.
 - .7) All connections shall be made according to manufacturer's directions.
 - .8) All above ground exposed conductor shall be vinyl coated.
- 5.1.14.1 Before making a ground system connection, remove all paint, foreign matter or dirt.
- 5.1.15 Transmission Line and Antenna Grounding
- 5.1.15.1 Supply and install a continuous run of #2/0 stranded copper conductor for the entire length of the tower. The ground riser shall be neoprene coated and not come in contact with any material that may create a dissimilar materials reaction.
- 5.1.15.2 Attach ground riser to the tower using predrilled holes and approved connectors.
- 5.1.15.3 The ground riser shall be connected to the lightning rod at the top of the tower, using approved Burndy or equivalent connectors.
- 5.1.15.4 All transmission lines shall be grounded using grounding kits in accordance with manufacturer's instructions. All groundings leads will have a minimum of two holes.
- 5.1.15.5 Lines shall be connected in 4 locations (top, middle, base of tower and near the building entrance). All connections must be made in accordance with manufacturer's instructions.
- 5.1.15.6 The Contractor shall provide approved copper bus bars at the top and at the base of the tower and intermediate locations so no span is more than 61.0m .This bus bar must be securely attached to the ground riser.

- 5.1.15.7 The contractor where requires shall supply and install a bus bar directly below the waveguide port with proper attachment to the ground ring.
- 5.1.16 Building and Compound Fence Grounding
- 5.1.16.1 As a minimum, every second fence post and both gate posts shall be connected to the grounding ring with exothermic welding.
- 5.1.16.2 A flexible ground lead must connect the 2.0 meter compound gate to the internal 1.0 meter man gate.
- 5.1.16.3 The Contractor shall ensure that no portion of the grounding ring is damaged with the installation of the compound fence posts.
- 5.1.17 Lightning Rod
- 5.1.17.1 Supply and install a lightning rod system to the top of the tower to provide adequate lightning protection to the top antenna (must extend above all antennas). The ground riser shall be connected to the lightning rod using approved connectors. The lightning rod system must meet the approval of the Owner.
- 5.1.18 Measurement of Ground Resistance
- 5.1.18.1 The Contractor shall submit to the Owner and Technical Authority the soil resistivity measurements for each site. A four stake method of measuring the soil resistivity should be carried out with the four stakes being placed at 3.0 meter centers into undisturbed soil.
- 5.1.18.2 The Contractor shall measure the resistance to ground for all the above ground leads. As a minimum, readings shall be submitted to the Technical Authority and Owner for the tower anchors, tower base leads, building and fence ground leads as well as the waveguide bridge, AC Ground and all bus bar leads.
- 5.1.18.3 Ground reading measurements **MUST** be taken using the "Fall of Potential" method with appropriate Meggor equipment. Results from the use of handheld devices will not be accepted.
- 5.1.18.4 Resistance measurements must be taken **BEFORE** AC Power is connected to the grounding system to negate the grounding potential of the Hydro lines. For existing RCMP sites, the ground resistance measurements for new installations are to be verified before they are connected to the existing grounding system.
- 5.1.18.5 Do not proceed with backfilling operations until the Owner/Technical Authority has inspected and approved all grounding work in place. Give 48 hours notice to the Owner/Technical Authority to facilitate the site visit.

5.2 Lighting and Power Supply

- 5.2.1 It will be the responsibility of the Contractor to install the tower lighting control box on existing RCMP sites. For new RCMP sites the control box shall be shipped to the RCMP Project Manager to be installed in the new RCMP shelter. It will be the Contractors responsibility to install the control box if the control box is not installed by others.
- 5.2.2 The complete wiring system and lighting fixtures shall be of a waterproof type using COREFLEX CABLE (or approved equal), rigid fittings with cast-iron or aluminum type junction boxes.
- 5.2.3 All wiring shall be in accordance with CSA requirements, and type RA-90-40C wire shall be used throughout the installation. Wiring shall be supplied and installed as per the following schedule:

Height Range (m)	Conductor Size	
	Main Cable	Branch Cable
0 to 91	#12	#14
91 to 137	#10	#14
137 to 183	#8	#14

- 5.2.4 Wires shall be routed into a junction box or fixture such that when proceeding up the tower the wires shall exit the box from the bottom and enter the next higher box from the top of the box or fixture.
- 5.2.5 Tower obstruction lighting shall be wired so that lamps in each double obstruction fixture will be on opposite side of a three-wire circuit.
- 5.2.6 The obstruction lamps shall be LED based.
- 5.2.7 AC outlets will not be required on the towers.
- 5.2.8 Permits and Temporary Lighting
 - 5.2.8.1 The Contractor shall obtain an electrical installation permit from the appropriate agency and submit to the Owner evidence that the lighting installation has been inspected and approved by the said agency.
 - 5.2.8.2 The Contractor shall make arrangements to provide temporary tower lighting until official acceptance of the tower by the Owner.
- 5.2.9 Ice Protection
 - 5.2.9.1 The Contractor shall install ice protection for all exposed waveguides, lights and lighting system components.
- 5.2.10 Cable Attachment
 - 5.2.10.1 The Contractor shall adequately secure the cables at intervals that do not exceed manufacturer's recommendations and to a maximum of 1200mm. Cables shall be

fastened to the tower by suitable clamps manufactured specifically for this purpose. Use of metallic ties, wire, wraplock, or plastic ties to secure cables is unacceptable.

5.2.10.2 The cable shall not be bound in a parallel run with any RF transmission lines and must be physically separated from such lines.

5.2.11 Shop Drawings

5.2.11.1 The Contractor shall submit shop drawings clearly indicating all elements of the lighting system.

5.2.12 Termination of Wire and Hook Up

5.2.12.1 The Contractor shall terminate all wiring inside the building, in a panel provided by the Contractor. The location of this panel shall be as indicated for new buildings or as approved by the Technical Authority in existing buildings.

5.2.12.2 The Contractor shall attach conduit to ceilings and walls so as to avoid conflict with existing equipment. All conduits shall be installed in a neat manner.

5.2.13 Photoelectric Cell and Controls

5.2.13.1 The Contractor shall supply the lighting system complete with photoelectric cell and associated controls. (For dual or Red Lighting system only).

5.2.13.2 Photoelectric cell and control details shall be submitted to the Owner and Technical Authority for approval, prior to installation. All units shall meet CSA Standards.

5.2.13.3 All connections to the power supply source shall be the responsibility of the Contractor and shall be completed by qualified electrical personnel.

5.2.14 Lighting System

5.2.14.1 All tower lighting systems shall utilize LED based lamps and shall meet all requirements of CARs 621.19.

5.2.14.2 Where there is a requirement for beacons (as directed by CARs 621.19 or otherwise directed by Transport Canada or Nav Canada), beacons shall be dual red/white medium intensity and utilize LED lamps. Systems shall be complete and be in compliance with CARs 621.19.

5.2.14.3 The white lighting system shall flash white under daytime operation and switch to red for night operations.

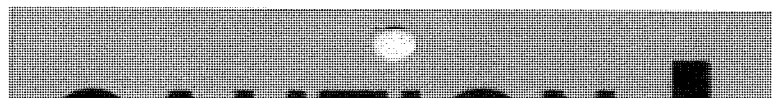
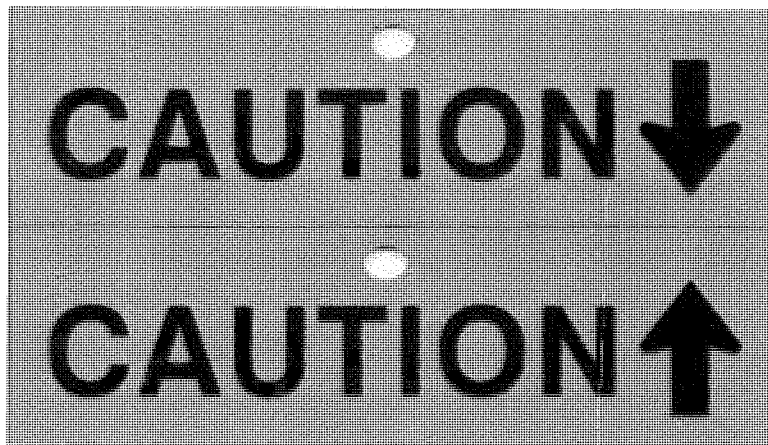
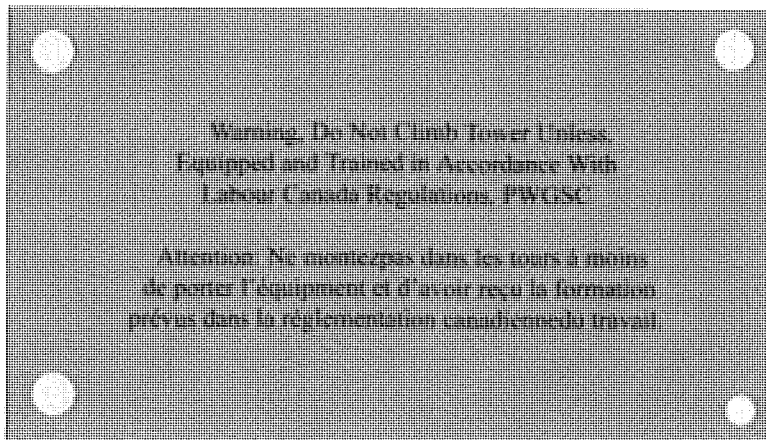
5.2.14.4 The light system must be accompanied by the appropriate control box from the manufacturer to allow for future modification to include a red light system for night operation. This is available from the manufacturer upon special request.

5.2.14.5 The white lighting system shall incorporate a back-up system so that it operates with D.O.L.s and red for day and night.

- 5.2.14.6 Tower lighting systems shall not create noise that may be picked up by the operation of radio equipment installed at the site.
- 5.2.14.7 All fixtures shall be residential friendly.
- 5.2.14.8 All Tender submissions shall contain adequate information to evaluate the lighting system. Such information shall include all technical data, control system, local maintenance company, charge out rate for maintenance personnel, response time-
- 5.2.14.9 The control cabinet shall be located inside the Owners building. All components (electronic card, capacitors, transformers, etc.) are also to be part of the cabinet for control. DO NOT install the lighting control cabinet on the same wall as the waveguide port.
- 5.2.14.10 The white lighting system at the top of the tower is to contain only the flashing tube. Transformers or capacitors are not to be located at the top of the tower.
- 5.2.14.11 The light controls shall allow for constant monitoring in both day and night modes, indicate a light failure and define the location of the outage.
- 5.2.14.12 The alarms shall be easily integrated into the RCMP telemetry system for remote monitoring.
- 5.2.14.13 The alarm system shall incorporate a fail-safe mode in the case of day or nighttime failure.

End of Section

ATTACHMENT 1: Warning Signage



GEO TECHNICAL REPORT

DATE: December 16, 2013

FILE: SU- 13- 125- 00- SU

TO: CAN-TEC SERVICES
#1948 Main Street
Winnipeg, MB.
R2V 2B4
Attention: REID SITAR

FROM: SILVESTRE S. URBANO JR., P.ENG.
Senior Geotechnical Engineer
22 Sapphire Place
Winnipeg, Manitoba R2V 4N4
Tel: (204) 697-2165

FAX: 204-947-5717

FAX:

**RE: GEOTECHNICAL SITE REVIEW FOR RCMP DETACHMENT AT ISLAND LAKE, MB
FOUNDATION RECOMMENDATION FOR PROPOSED STRUCTURE**

A total of four testpits were excavated on November 27, 2013 at the proposed RCMP Detachment located at Island Lake, Manitoba. The purpose of these testpits was to assess the general subsurface conditions. It was requested that a foundation recommendation based on four testpits be provided. Four testpits excavated between 2.1m to 2.9m revealed a general soil profile of topsoil underlain by a clay layer followed by an igneous bedrock known locally as "greenstone". No evidence of seepage and sloughing was observed at any of the testpits after completion of excavation. Detailed descriptions of each testpits are shown in the attached logs and site plan.

Due to the proximity of bedrock to the surface, the proposed RCMP detachment may be supported by a combination system of concrete spread footings and straight-shaft caissons end bearing on sound bedrock. At this area, the sound bedrock is defined as granitic bedrock without fractures and loose surfaces.

The foundation recommendations are made on our understanding that the proposed buildin is heavily loaded structure. The anticipated floor for the proposed structure will be a structural floor with a crawlspace.

FOOTINGS ON BEDROCK

Where the overburden is less than about 4m, footings on bedrock (granitic) may be used. It is expected that the bedrock surface will be irregular with a gradient range between 1.5% and 11%, and where bedrock slopes less than 10%, a concrete leveling pad between the sound bedrock and underside of the footing is recommended. Where the bedrock slopes between 10 and 20%, the footings should be grouted and dowelled. These dowels should be drilled and grouted a minimum of 300 mm into sound bedrock. The footing excavations should be provided with safe side slopes (minimum 1.5H to 1V) and should be backfilled with subbase granular fill compacted in maximum 300 mm lifts to 95% Standard Proctor density (ASTM D698).

Due to the irregularity of the bedrock surfaces, some of the footing excavation may involve blasting. To reduce the cost related to rock overblasting caused by uncontrolled blasting which may undermine the rock bearing quality at some footing locations, special provisions should be made to ensure that the rock excavation is made precisely to the specified grid lines and design elevations. Controlled blasting must only be undertaken by a competent blaster licensed in Manitoba.

The footing system may include concrete piers and pads bearing on bedrock. It should, however, be appreciated that due to the variations in depths to the bedrock, frequent steep bedrock surface gradients and the unavoidable debris created by rock blasting, the time and effort for proper cleaning the rock

bearing surface and forming along a grade beam are much more than that associated with a small spread footing. Therefore, spread footings should be considered wherever practical.

To facilitate footing forming on the expected undulating rock bearing surface, concrete levelling pads or strips should be specified in the foundation drawings. In this case, the concrete compressive strength of the levelling pads/strips should be equal to that of the overlying footing, and the said levelling pads/strips should be properly connected to the underlying bedrock and overlying footings with suitable dowels. These dowels should have a minimum penetration of 300 mm into the underlying sound bedrock and the overlying footing.

To ensure a good bond between the footing, the concrete levelling pad and the underlying bedrock, all soil overburden, ponded water, loose, fractured, very broken rock and other foreign materials should be removed from the rock bearing surface. The occasional use of a compressed air hose, a ripping tool and/or jack hammer may be required in cleaning and removing the loose material from the bearing surface. If ice is present on the bedrock, its removal should be undertaken by proper heating of the rock surface.

Construction dewatering, which could be accomplished by conventional pumping equipment using filter-protected sumps and boulder removal should be expected.

Where the perimeter footings of a heated building are founded on marginal, slightly weathered and broken bedrock, an earth cover of 2.4m or an equivalent high density rigid insulation panels should be provided for frost protection. In addition, the frost protection should be extended horizontally at least 1.4 m from the edge of the affected perimeter footing. If an insulation panel is used, this should be protected with at least 300 mm of earth cover.

Subject to bedrock surface inspection by qualified geotechnical personnel, the footings may be designed for an allowable rock bearing pressure of 5.0 MPa(5000 kPa). This rock bearing pressure is somewhat lower than those normally used, however, a conservative lower rock bearing pressure is prudent due to only one rock core at this site. In addition, a higher bearing pressure is not deemed necessary because of the relatively light loads of the proposed structure.

With Limit State Design (LSD), the following bearing resistances at Unfactored Ultimate Limit State (ULS) and Serviceability Limit State (SLS) are recommended for this foundation system; Unfactored ULS: 12500 kPa (unfactored) and SLS: 5000 kPa for footings on sound Greenstone bedrock. Note that appropriate resistance factors should be applied; in this case, it is 0.55. For a factored ULS, the unfactored ULS should be multiplied with the resistance factor.

MECHANICALLY CLEANED STRAIGHT-SHAFT CAISSONS ON BEDROCK

Where the overburden is more than about 4m, CIP concrete hand-cleaned straight shaft caissons should be considered. The caissons may be founded on granitic bedrock. At these areas temporary sleeves should be on hand to case off soil sloughing and water seepage if encountered. *In addition, boulder removal should be included in the price for piling installation.*

Depending on how well the temporary sleeve is sealed, dewatering at the caisson base will be required. Subject to caisson base inspection by qualified geotechnical personnel, CIP concrete hand-cleaned caissons founded on granitic bedrock may be designed for an allowable bearing pressure of 5000 kPa. A minimum caisson shaft of 750mm and full length reinforcements are recommended. With respect to the used of dowels, concrete levelling pad and construction practices, the recommendations under Section 6.2.1 should also be followed.

PROPOSED CRAWLSPACE

The crawlspace should be heated and vented. The crawlspace floor should be protected with a 10 mil vapour barrier and topped with 100 mm of free draining sand bedding. To avoid ponding difficulty due to surface water infiltration, perimeter filter-protected weeping tiles should be installed at least 300 mm below the crawlspace floor and leading to a positive outlet.

Any peat moss/ topsoil should be removed from all main floor and crawlspace areas of the proposed addition as it may produce methane gas which is a potential hazard.

PAVEMENT RECOMMENDATIONS

The anticipated subgrade for the parking lot is a clay subgrade. Based on this assumption, (i.e. mainly a clay subgrade), the recommended asphaltic concrete pavement construction at this site, based on the assumption of using an Equivalent Single Axle Load (ESAL) of about 22,000 for light duty and 261,000 for heavy duty traffic with asphalt, should be as follows:

On the basis of the soil conditions encountered during our investigation (i.e. mainly a clay subgrade), the recommended pavement construction at this site should be as follows:

Asphalt Pavement Thicknesses

	Car Traffic	Truck Route	% Compaction
Asphaltic Concrete	75 mm	75 mm	96% Marshall
Base Course	150 mm	150 mm	98% Std Proctor
Subbase	150 mm	225 mm	95% Std Proctor

The above pavement sections should be constructed on a prepared clay subgrade which should be free of any fibrous organics, softened and disturbed soils. The approximate depth of topsoil/fill site stripping is about 100mm to 150mm below ground surface. The prepared subgrade should be proof rolled with a heavy sheepsfoot roller (min. 20 passes) which translates to at least 95% Std Proctor and inspected by qualified geotechnical engineer prior to the placement of the overlying granular fill.

If fractured bedrock is encountered prior to the required depth of site stripping, replace the overburden material with granular fill up to the required design depth (ie. if total stripping is about 150mm, place 100mm of compacted granular fill followed by a 50mm of asphalt for car traffic only).

The granular base course and subbase materials should include organic-free, non-frozen, aggregate conforming to the Manitoba Highways gradation limits.

Where soft spots are encountered at the subgrade level, construction traffic should be restricted. Soft spots should be excavated with a large backhoe fitted with a smooth bucket, to at least 300mm below the underside of the subbase or to the fractured bedrock (if shallower than 300mm) and replaced with a 300mm thick layer of 100mm crushed limestone or granular. In this regard, the total granular fill thickness below the asphalt would be 600mm for car traffic.

The combined aggregate gradation limits and physical requirements of the asphaltic concrete should be in accordance with Manitoba Highways specification.

Sieve analysis and compaction testing of the granular base and subbase materials should be conducted by

LETTER REPORT

qualified geotechnical personnel to ensure that the materials supplied and percent compactions are in accordance with design specifications.

ADDITIONAL COMMENTS AND CONSIDERATIONS

For any concrete apron, sidewalk, curbs, the pavement structure should consist of 150mm reinforced concrete followed by 150mm of compacted (98% Standard Proctor Density) base course over the compacted subgrade. *If a silt layer was encountered as subgrade, the application of non-woven geotextile over the silt layer is recommended.* Exterior, grade supported concrete slabs will be subjected to some seasonal vertical movements related to frost. Exterior concrete slabs should not be tied into rigid structures such as grade beams, pile caps or interior slabs. In addition, localized subsurface drainage should be provided around the structure.

To ensure adequate site drainage, the following recommendations are made:

- A 10% slope (8 in. in 6.5 ft) should be considered for the first 1.8m (6 ft) from the foundation wall. It may be necessary to regrade at the end of the first year.
- Make sure that downspout extensions direct water away from walls. Provide splashblocks away from walls to prevent erosion and ponding.
- On a sloping site, grade from the centre out to the corners of the building. Provide a swale.

Concrete should be manufactured with sulphate-resistant (Type 50) cement, minimum compressive strength of 32 mPa and air content between 4% and 7%. Any concrete subject to cycles of freezing and thawing should be air entrained in accordance with the latest edition of CSA A23.1, Concrete Materials and Methods of Concrete Construction.

CLOSURE

The findings and recommendations provided in this report were prepared by the writer in accordance with generally accepted professional engineering principles and practices. The recommendations are based on the results of field investigation and are reflective only of the actual testhole(s) and/or excavation(s) examined. If conditions encountered during construction appear to be different than those shown by the testhole(s) and/or excavation(s) at this site, the Consultant should be notified immediately in order that the recommendations can be reviewed and modified as necessary to address actual site conditions.

This report is limited in scope to only those items that are specifically referenced in this report. There may be existing conditions that were not recorded in this report. Such conditions were not apparent to the Consultant due to the limitations imposed by the scope of work. The Consultant, therefore, accepts no liability for any costs incurred by the Client for subsequent discovery, manifestation or rectification of such conditions. This limitation of liability will apply whether Silvestre Urbano's liability arises under breach of contract or warranty; tort, including negligence; strict liability; statutory liability; or any cause of action. Limitations of liability shall survive termination of this agreement for any cause.

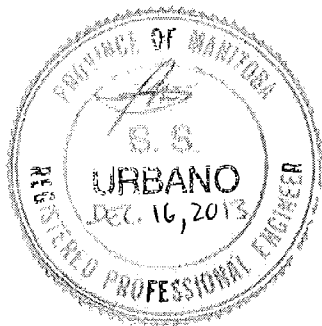
LETTER REPORT

This report is intended solely for the Client named as a general indication of the visible or reported physical condition of the items addressed in the report at the time of the geotechnical investigation. The material in this report reflects the Consultant's best judgment in light of the information available to it at the time of preparation.

This report and the information and data contained herein are to be treated as confidential and may be used only by the Client and its officers and employees in relation to the specific project that it was prepared for. Any use a third party makes of this report, or any reliance on or decisions to be made based on it, are the responsibility of such third parties. The Consultant accepts no responsibility for damages, if any, suffered by any third party as a result of decisions made or actions based on this report.

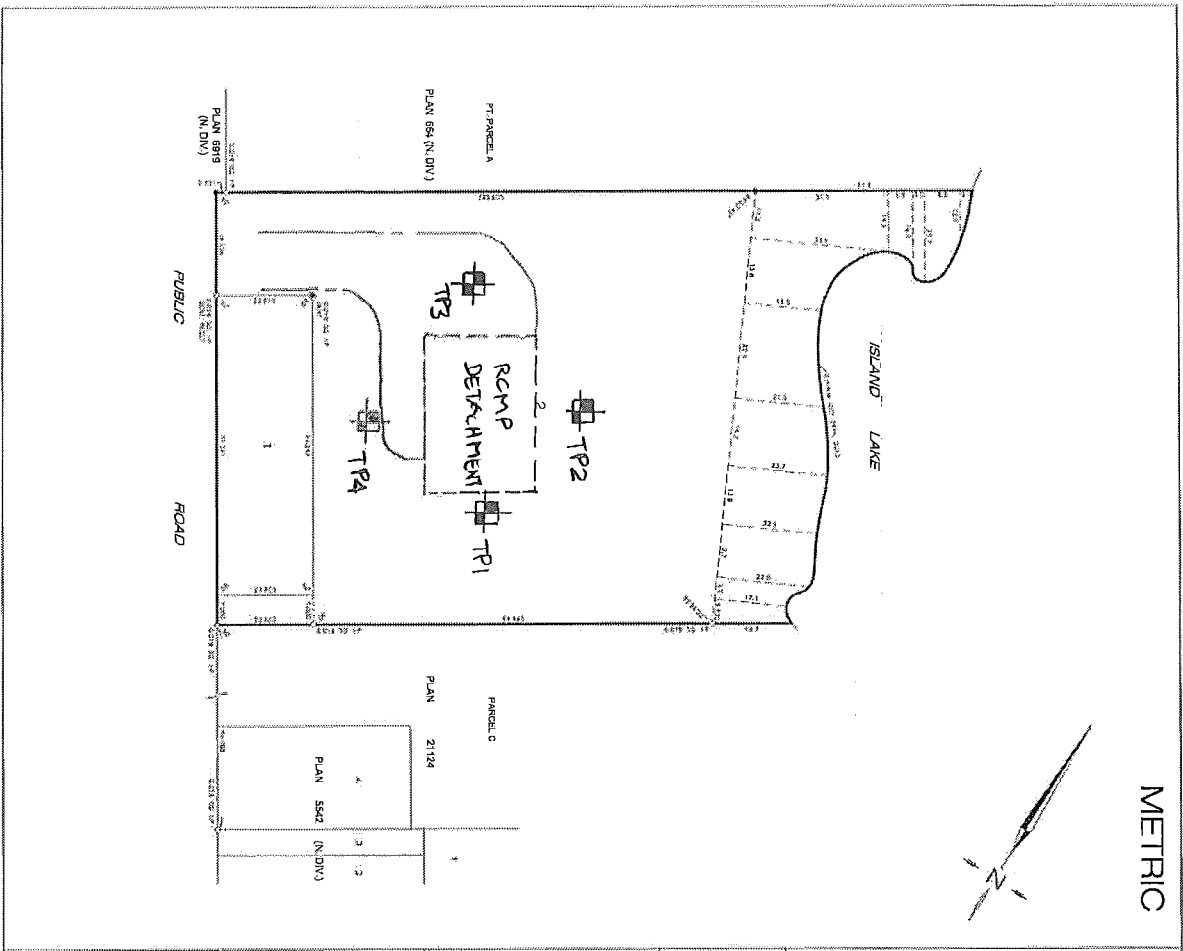
The report has been written to be read in its entirety, do not use any part of this report as a separate entity.

All files, notes, source data, test results and master files are retained by the Consultant and remain the property of the Consultant.



This letter is intended solely for the person or entity to which it is addressed and may contain confidential and/or privileged information. Any review, dissemination, copying, printing or other use of this letter by persons or entities other than the addressee is prohibited. If you have received this letter in error, please contact the sender immediately and destroy any printed material.

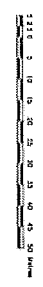
METRIC



PLAN OF SUBDIVISION

OF PART OF
 LOT 176, GROUP 324
 IN TOWNSHIP 56, RANGE 19 E.P.M.
 BEING
 PART PARCEL B, PLAN 664 (N. DIV.) AND
 PARCEL B, PLAN 21124

STEVENSON ISLAND
 ISLAND LAKE
 MANITOBA
 SCALE 1 : 500



NOTES
 1. THESE ARE IN METERS AND MAY BE CONSIDERED TO FEET BY MULTIPLYING BY 3.2808.
 2. EASEMENTS FOUND ON THE ORIGINAL RECORDS AND SHOWN HEREIN ARE NOT TO BE CONSIDERED AS PART OF THIS PLAN UNLESS SPECIFICALLY REFERRED TO IN THE PLAN.
 3. ALL PLANS REFERRED TO ARE ON RECORD IN THE MANITOBA LAND TITLE OFFICE.

ATTORNEY
 I, JOHN W. COOPER, OF THE CITY OF WINNIPEG, MANITOBA, LAND SURVEYOR, HAVE EXAMINED THE ORIGINAL RECORDS AND THE PLAN AND AM SATISFIED THAT THE SAME CORRECTLY REPRESENT THE SURVEY AND THAT THE SAME ARE CORRECT AND TRUE TO THE BEST OF MY KNOWLEDGE AND BELIEF AS OF THE DATE HEREIN.

DATE OF SURVEY: 2013
 DATE OF PLAN: 2013

OWNER: STEVENSON ISLAND
 REPRESENTATIVE: [Name]

APPROVED BY: [Name]
 DATE: 2013

APPROVED BY: [Name]
 DATE: 2013

APPROVED BY: [Name]
 DATE: 2013

APPROVED BY: [Name]
 DATE: 2013



Project No: SU-13-125-00

TP1

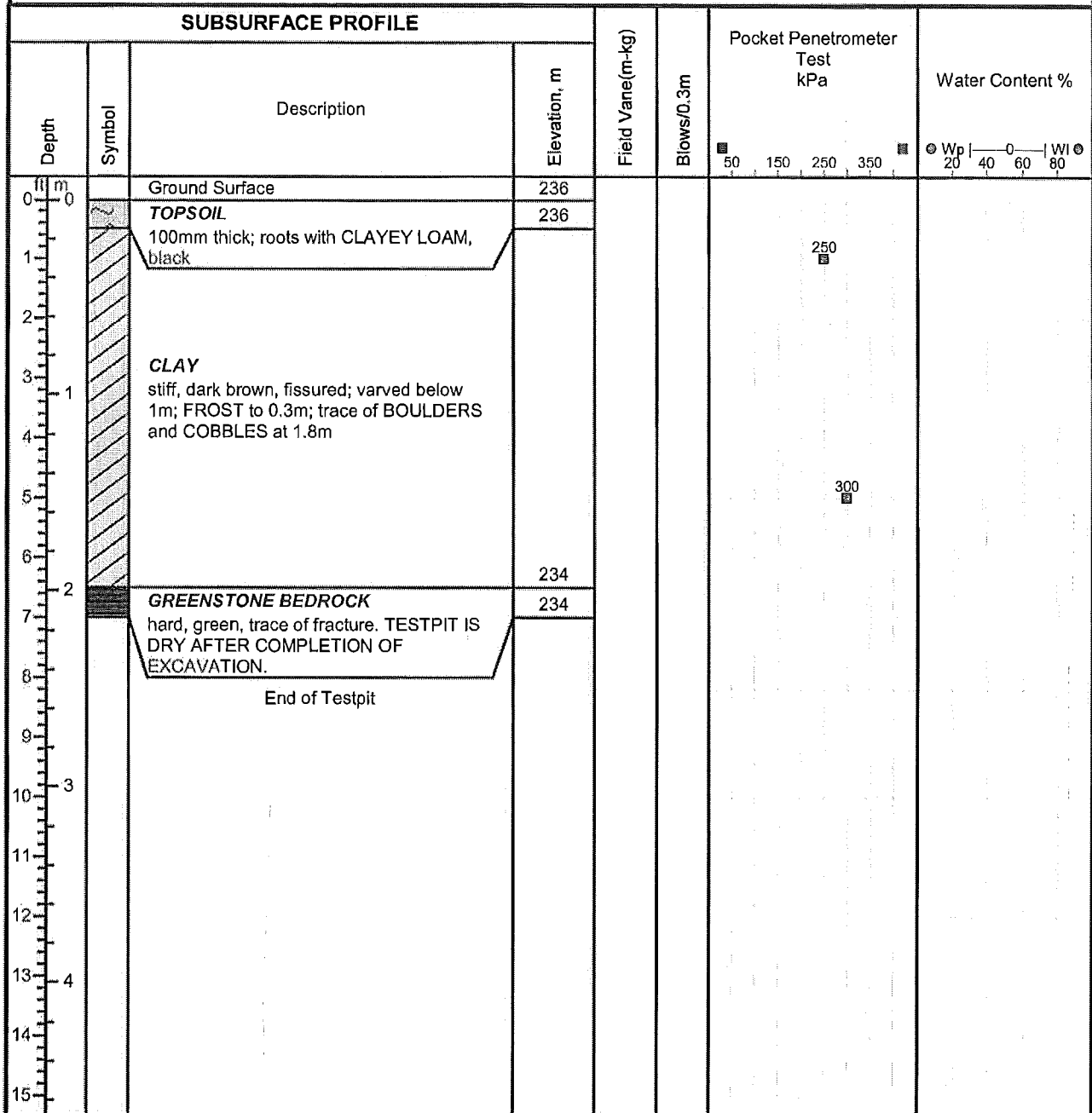
Project: ISLAND LAKE RCMP DETACHMENT

Client: CAN-TEC SERVICES LTD.

Enclosure:

Location: Island Lake, Manitoba

Engineer: SSU



Drill Method: Backhoe

Datum: 236.35m

Drill Date: 11/27/2013

Checked by: SSU

Hole Size: 0.6m x 1.8m

Sheet: 1 of 1

Project No: SU-13-125-00

TP2

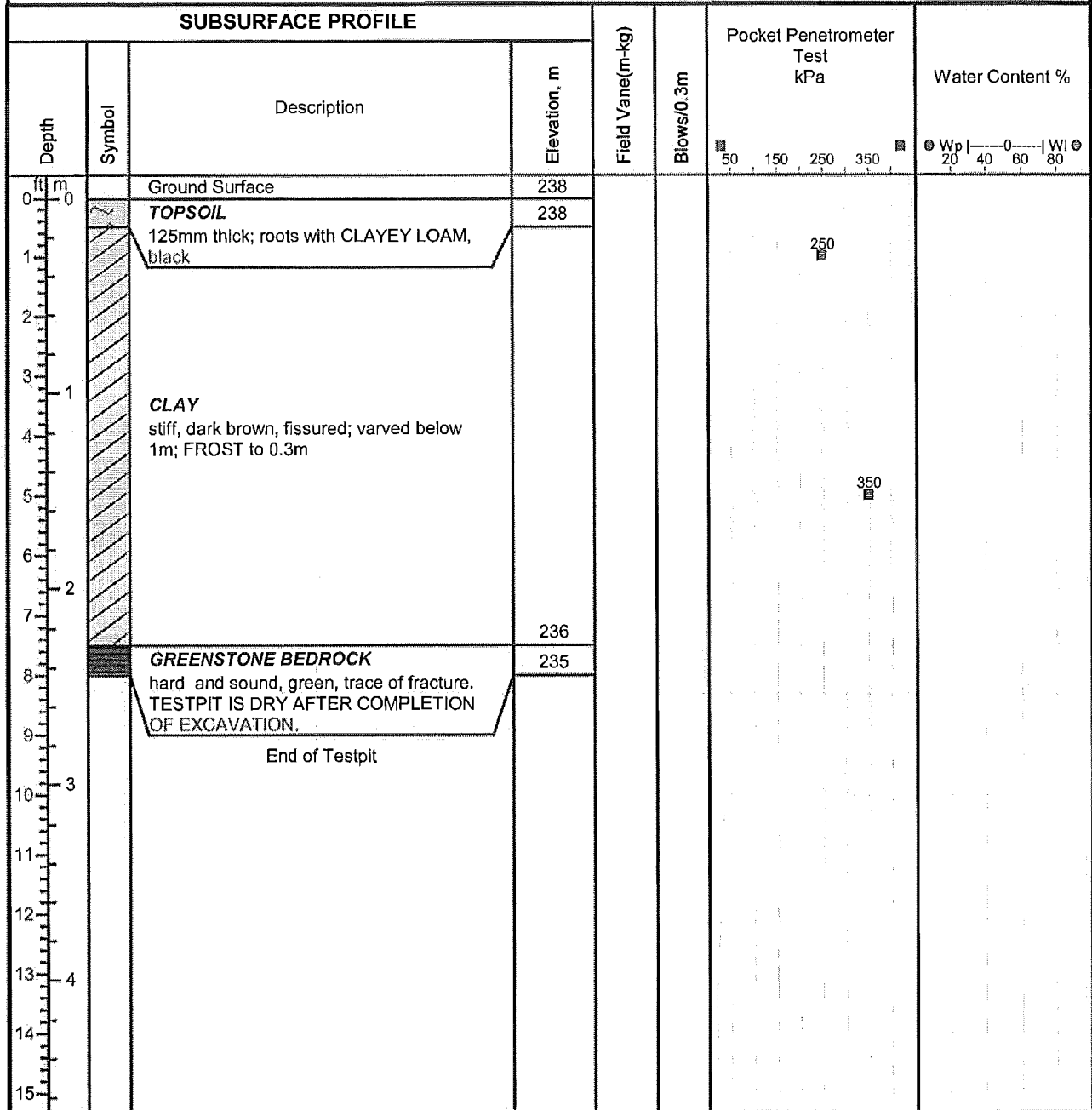
Project: ISLAND LAKE RCMP DETACHMENT

Client: CAN-TEC SERVICES LTD.

Enclosure:

Location: Island Lake, Manitoba

Engineer: SSU



Drill Method: Backhoe

Datum: 237.9m

Drill Date: 11/27/2013

Checked by: SSU

Hole Size: 0.6m x 1.8m

Sheet: 1 of 1

Project No: SU-13-125-00

TP3

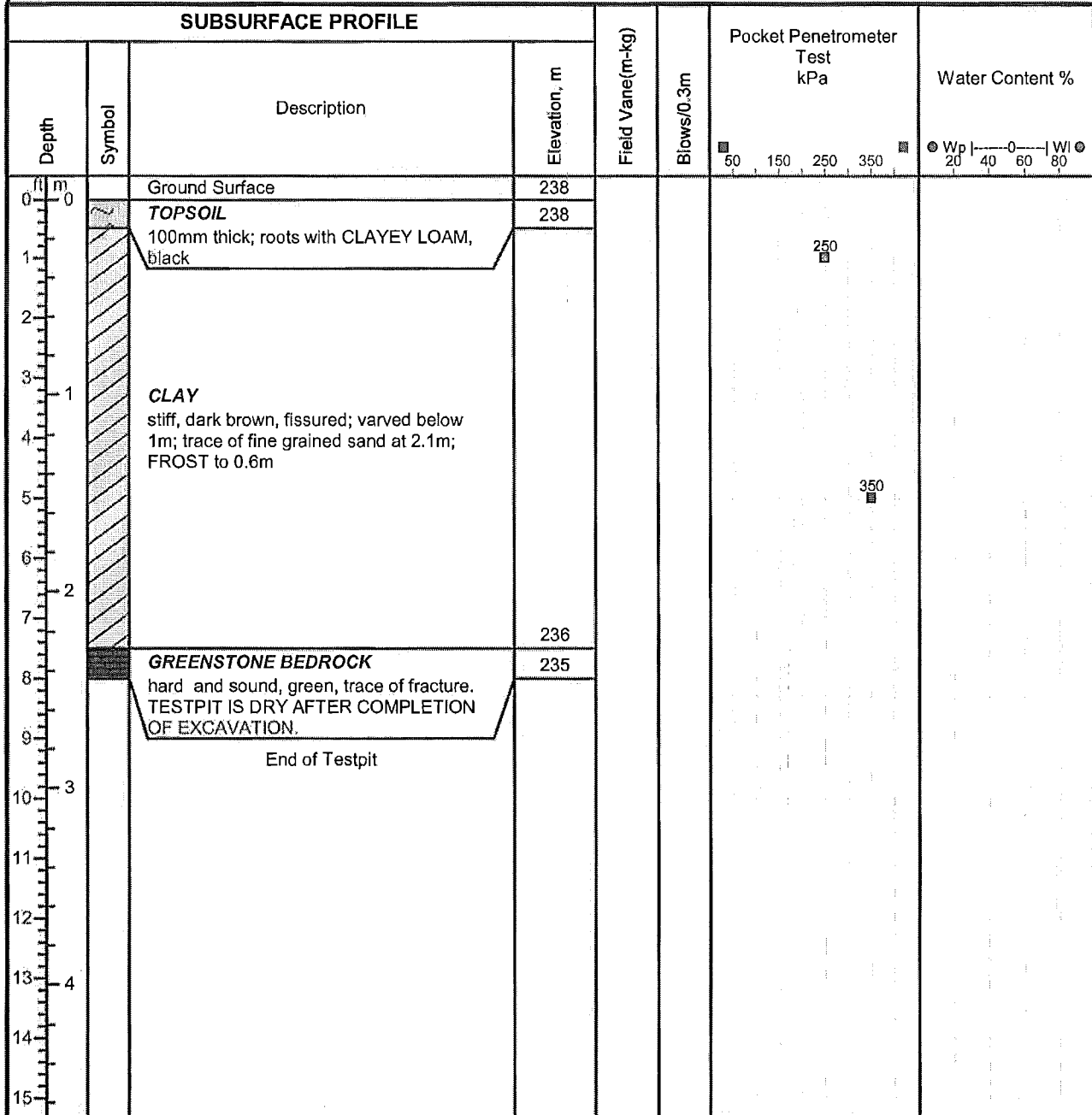
Project: ISLAND LAKE RCMP DETACHMENT

Client: CAN-TEC SERVICES LTD.

Enclosure:

Location: Island Lake, Manitoba

Engineer: SSU



Drill Method: Backhoe

Datum: 237.8m

Drill Date: 11/27/2013

Checked by: SSU

Hole Size: 0.6m x 1.8m

Sheet: 1 of 1

Project No: SU-13-125-00

TP4

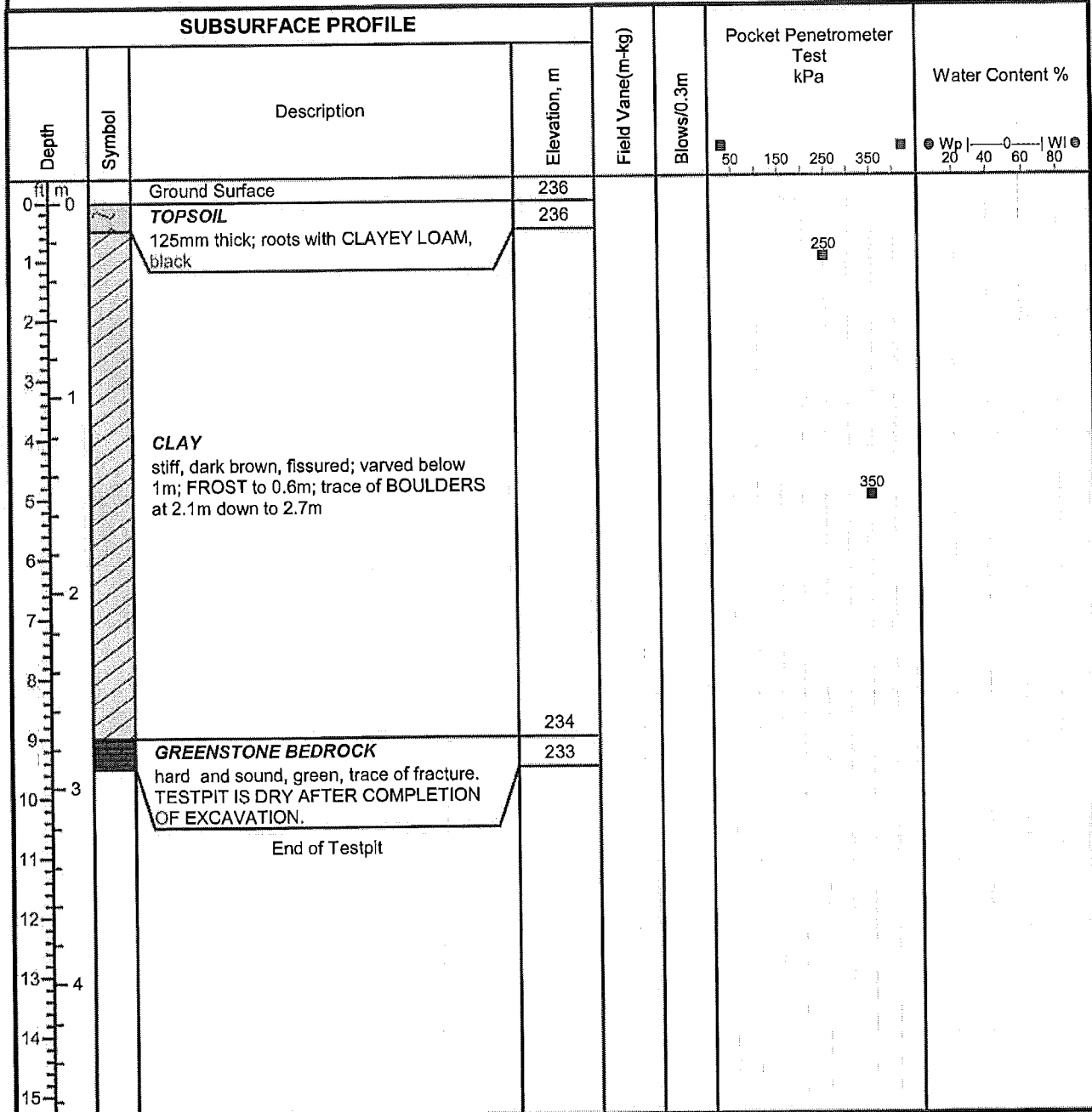
Project: ISLAND LAKE RCMP DETACHMENT

Client: CAN-TEC SERVICES LTD.

Enclosure:

Location: Island Lake, Manitoba

Engineer: SSU



Drill Method: Backhoe

Datum: 236.6m

Drill Date: 11/27/2013

Checked by: SSU

Hole Size: 0.6m x 1.8m

Sheet: 1 of 1