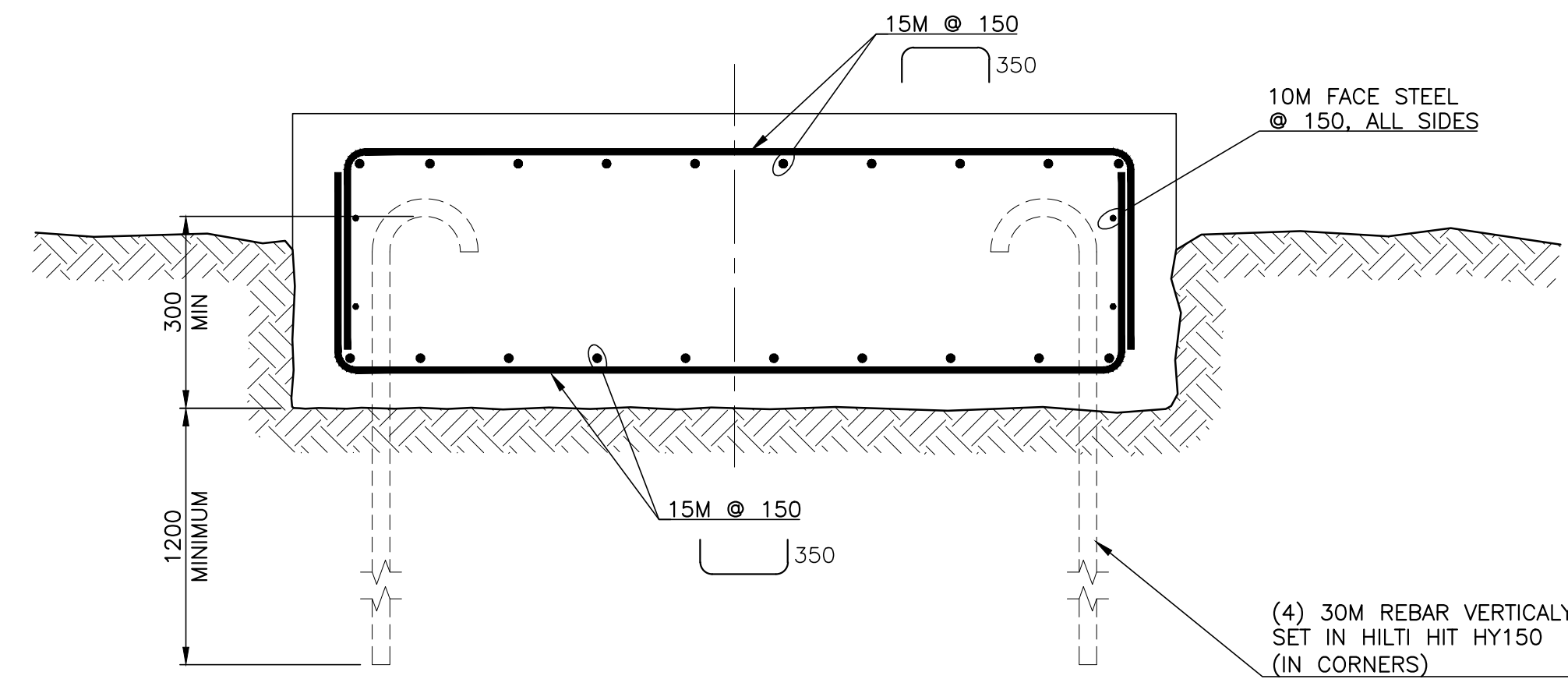
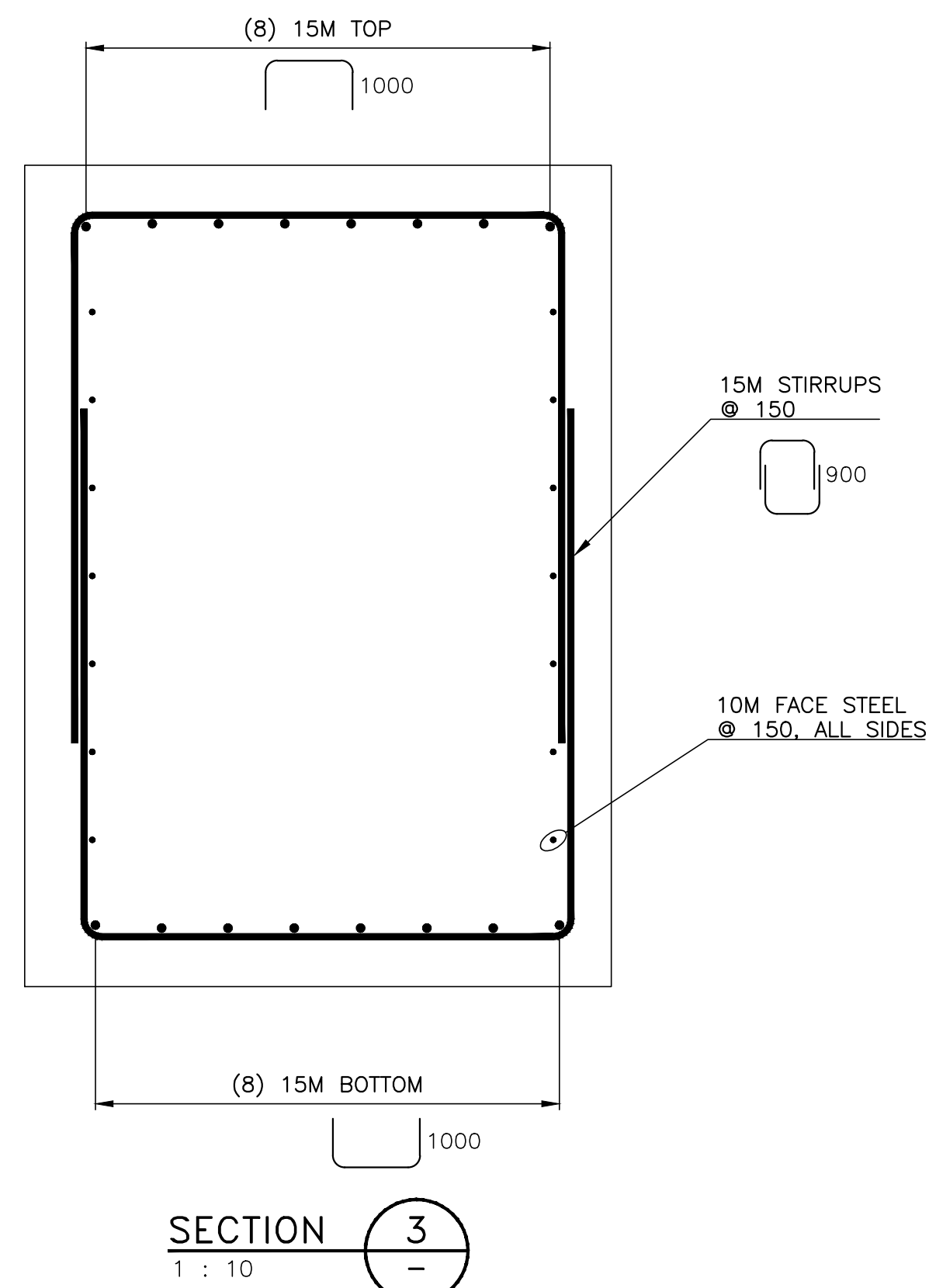


ABUTMENT REINFORCING - PLAN
1 : 10



TRESTLE POST REINFORCING - ELEVATION
1 : 10
[ANCHOR BOLTS NOT SHOWN FOR CLARITY]



SECTION 3
1 : 10

NOTES:
1. REFER TO DWG. -001 FOR GENERAL NOTES.

E				J						<small>THIS DRAWING IS THE PROPERTY OF VILLHOLTH JENSEN & ASSOCIATES LTD. AND SHALL ONLY BE USED FOR THE PURPOSE TO WHICH IT REFERS. THIS DRAWING IS PREPARED SOLELY FOR THE USE BY THE PARTY WITH WHOM VILLHOLTH JENSEN & ASSOCIATES LTD. HAS ENTERED INTO A CONTRACT AND THERE ARE NO REPRESENTATIONS OF ANY KIND MADE BY VILLHOLTH JENSEN & ASSOCIATES LTD. TO ANY PARTY WITH WHOM VILLHOLTH JENSEN & ASSOCIATES LTD. HAS NOT ENTERED INTO A CONTRACT.</small>	DESIGNED:	A.P.	SCALE:	AS NOTED			PORT HARDY - NEW CCG STATION	ABUTMENT & TRESTLE POSTS REINFORCING	DRAWING No. 212124-005	REV. B
D				I					DRAWN:		P.D.M.	FILE No.	212124-005							
C				H					CHECKED:		A.P.	CAD FILE NAME:	212124-005							
B	ISSUED FOR TENDER	06.13.14	A.P.	G					APPROVED:			PROJECT No.	212124							
A	ISSUED FOR REVIEW	05.30.14	A.P.	F																
REVISION				REVISION				REFERENCE DRAWINGS												