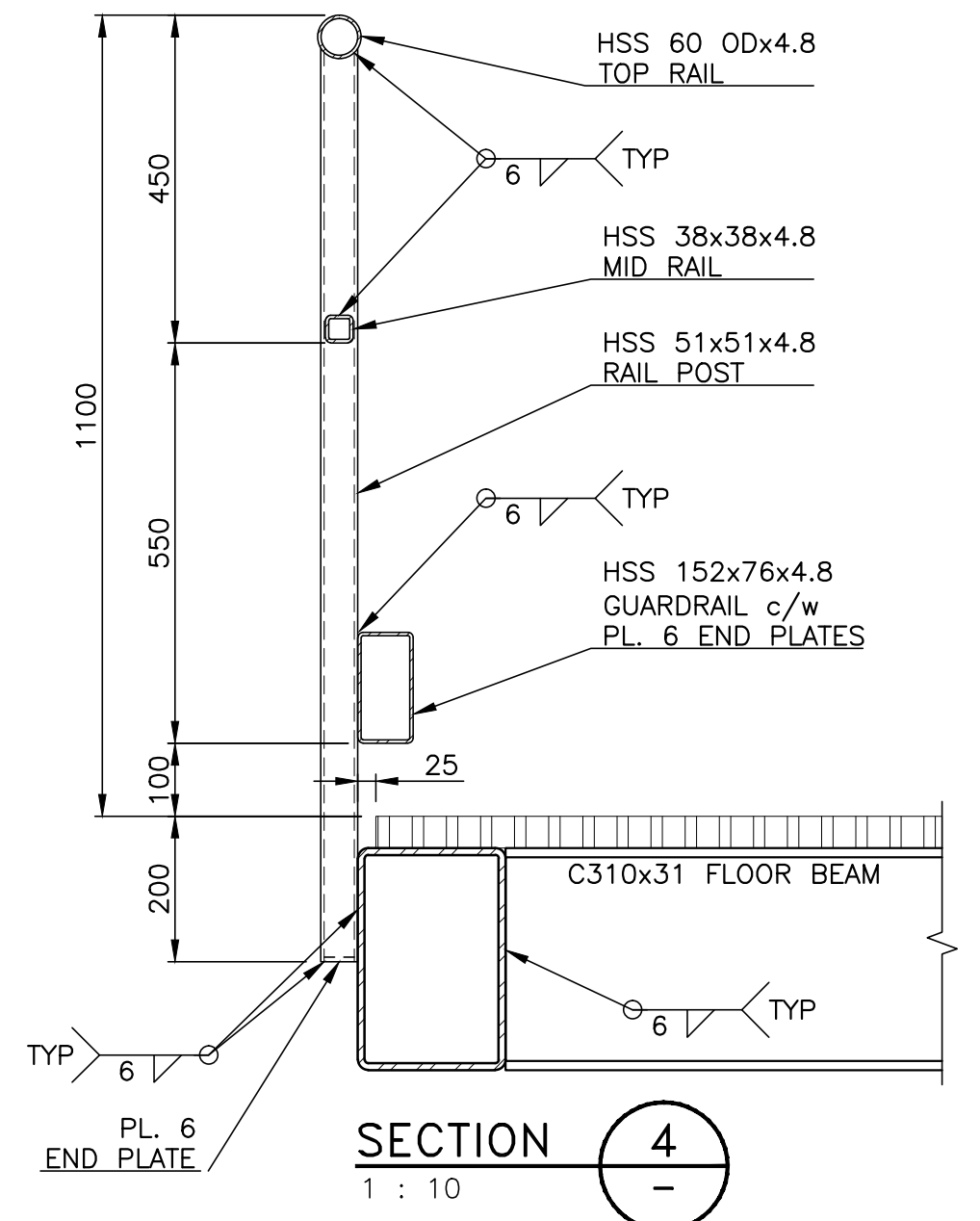
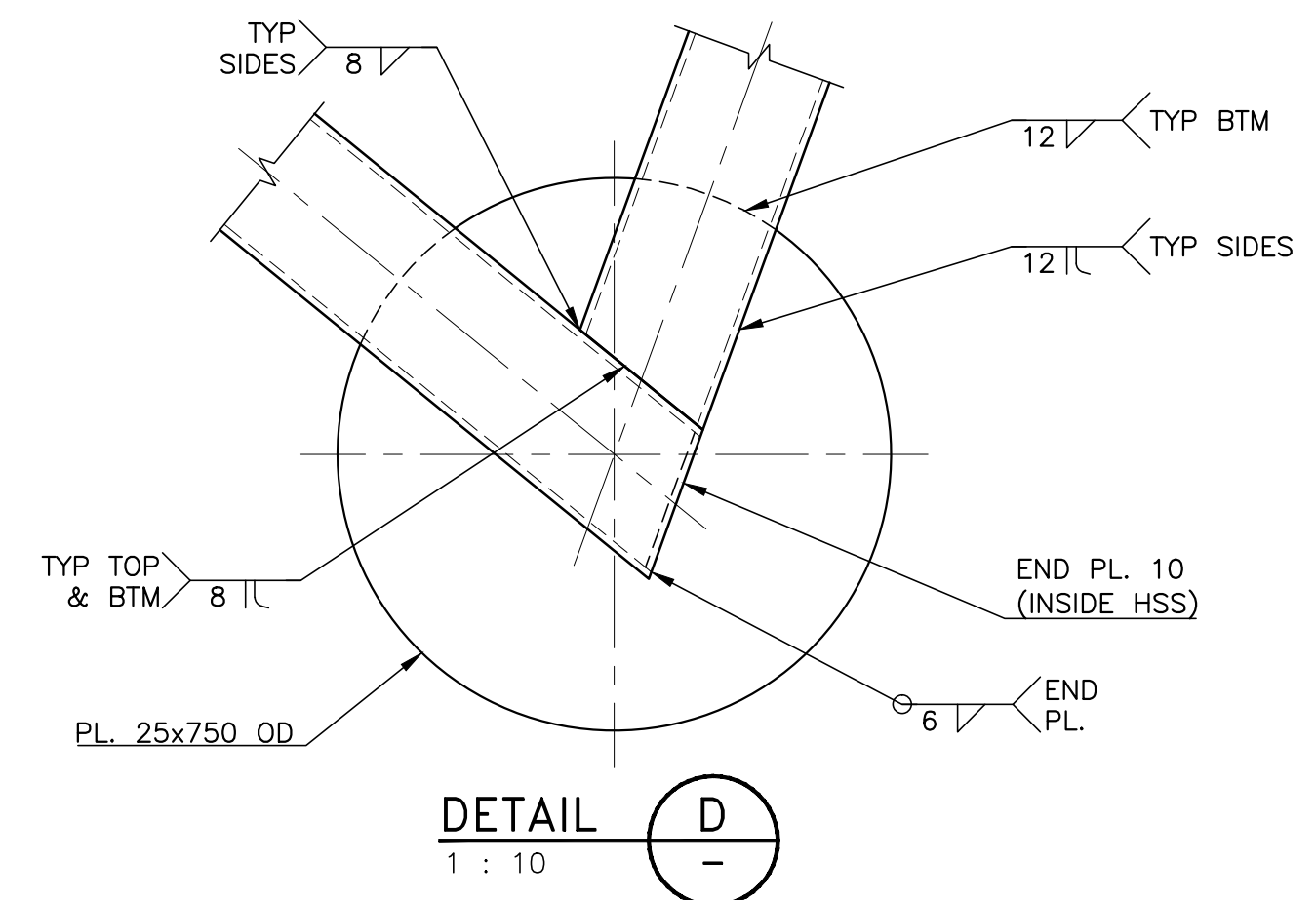


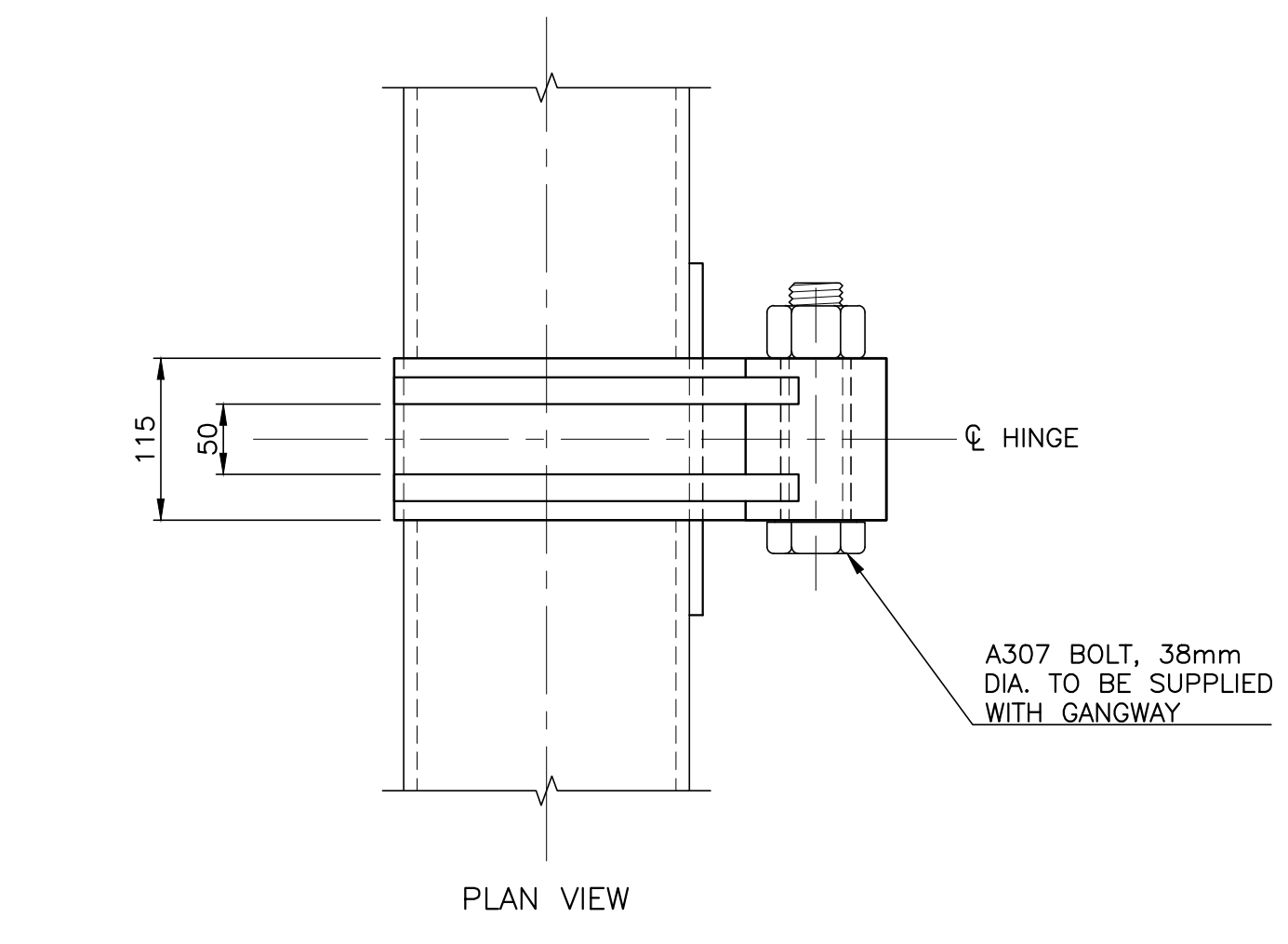
GANGWAY TRESTLE SECTION
1 : 25
ONE (1) REQ'D



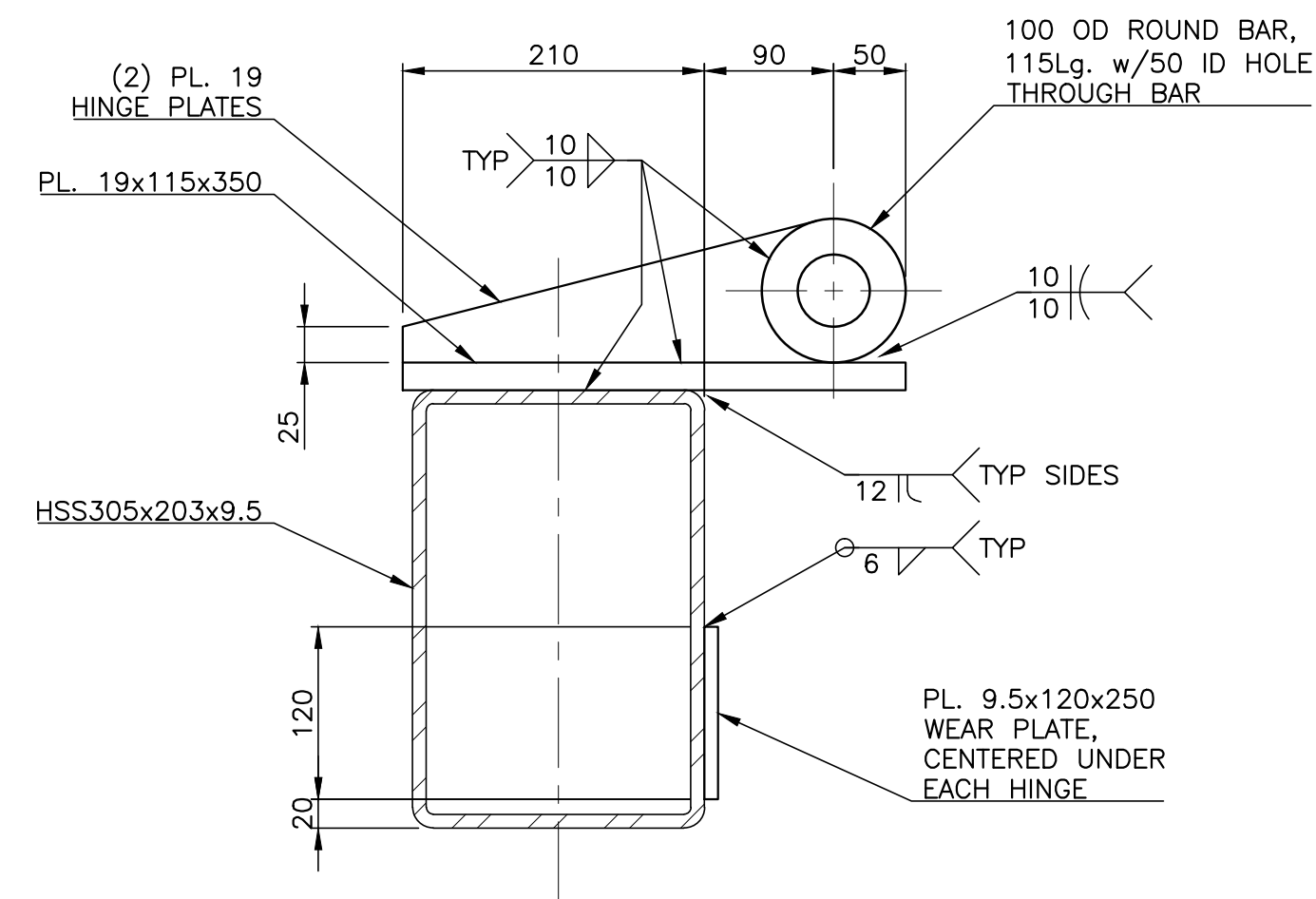
SECTION 4
1 : 10



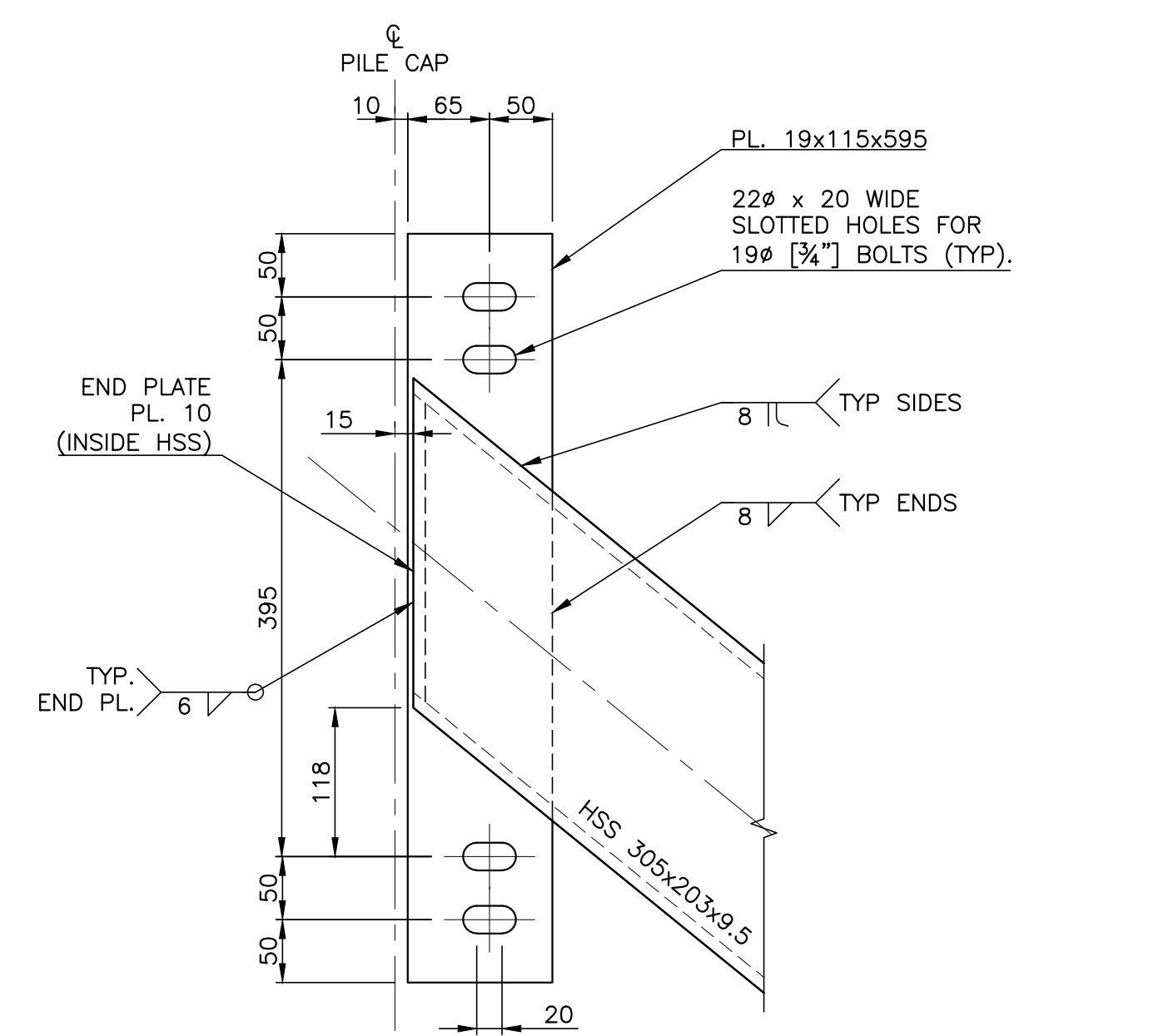
DETAIL D
1 : 10
[GRATING, RAIL POST & FLOOR BEAM NOT SHOWN]



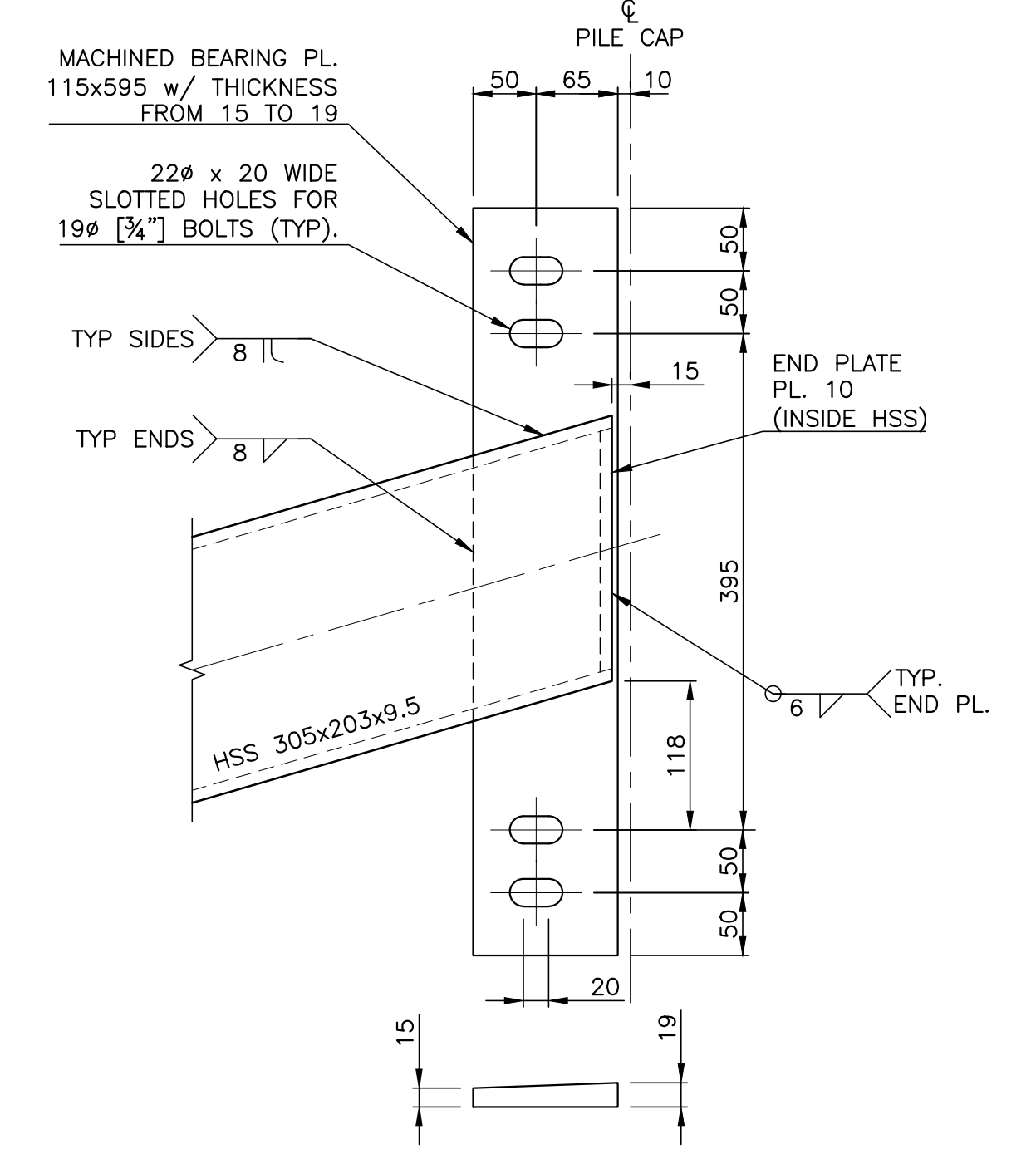
PLAN VIEW



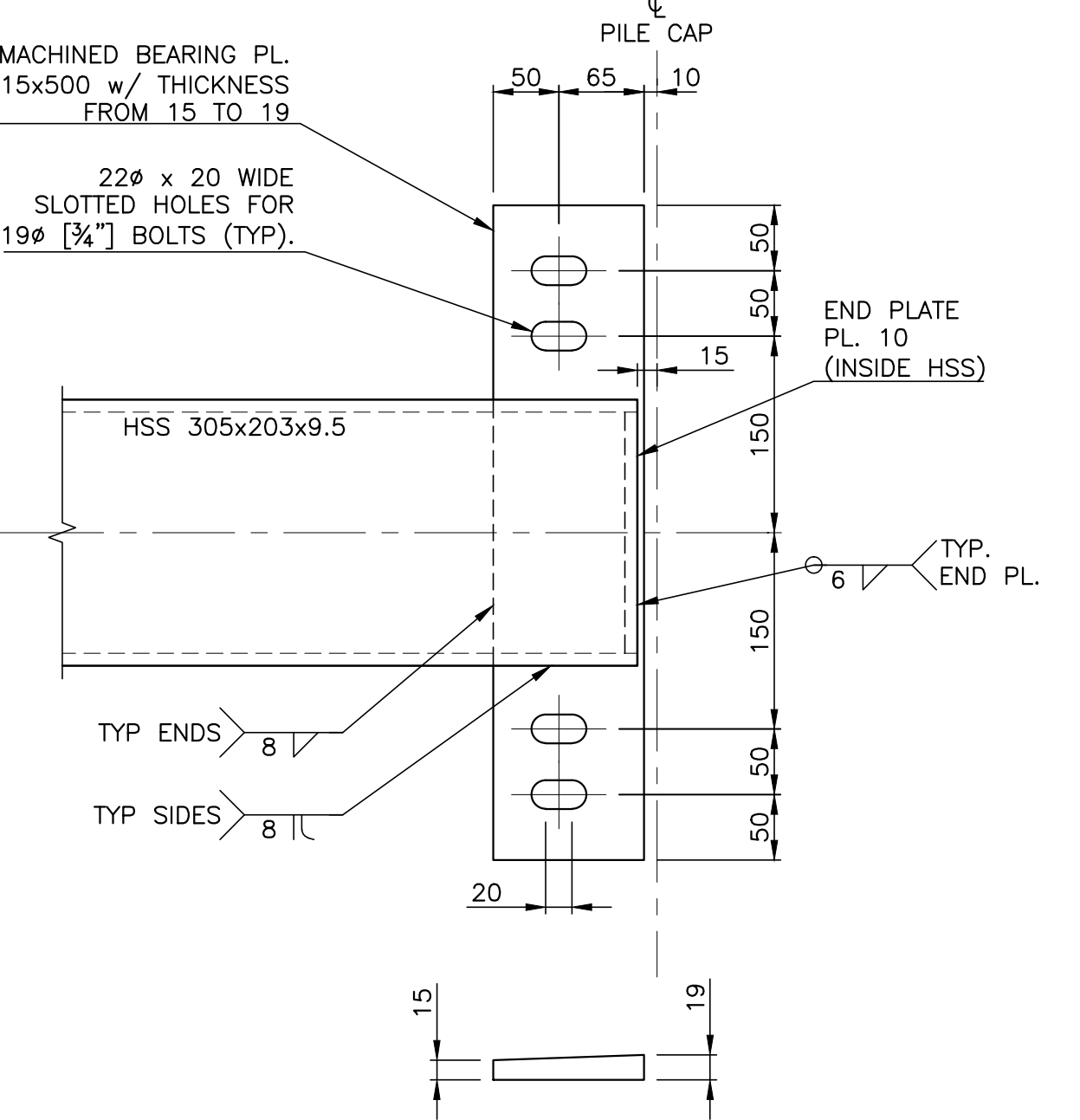
SECTION 5
1 : 5
TWO (2) REQUIRED



DETAIL G
1 : 5
[GRATING, RAIL POST & FLOOR BEAM NOT SHOWN]



DETAIL E
1 : 5
[GRATING, RAIL POST & FLOOR BEAM NOT SHOWN]



DETAIL F
1 : 5
[GRATING, RAIL POST & FLOOR BEAM NOT SHOWN]

NOTES:
1. REFER TO DWG. -001 FOR GENERAL NOTES.

E		J		THIS DRAWING IS THE PROPERTY OF VILLHOLTH JENSEN & ASSOCIATES LTD. AND SHALL ONLY BE USED FOR THE PURPOSE TO WHICH IT REFERS. THIS DRAWING IS PREPARED SOLELY FOR THE USE BY THE PARTY WITH WHOM VILLHOLTH JENSEN & ASSOCIATES LTD. HAS ENTERED INTO A CONTRACT AND THERE ARE NO REPRESENTATIONS OF ANY KIND MADE BY VILLHOLTH JENSEN & ASSOCIATES LTD. TO ANY PARTY WITH WHOM VILLHOLTH JENSEN & ASSOCIATES LTD. HAS NOT ENTERED INTO A CONTRACT.		DESIGNED: A.P.	SCALE: AS NOTED	<p>VILLHOLTH JENSEN & ASSOC. LTD. CONSULTING ENGINEERS VANCOUVER, B.C.</p>	<p>Fisheries and Oceans Pêches et Océans</p>	<p>PORT HARDY - NEW CCG STATION</p>	DRAWING No. 212124-011	REV. B			
D		I		<p>REVISION</p>	DRAWN: P.D.M.	FILE No. 212124-011	ACCESS TRESTLE SHEET 2 of 3						DRAWING No. 212124-011		
C		H			ISSUED FOR TENDER	06.13.14								A.P.	PROJECT No. 212124
B		G			ISSUED FOR REVIEW	05.30.14								A.P.	
A		F			REVISION	REVISION								REFERENCE DRAWINGS	