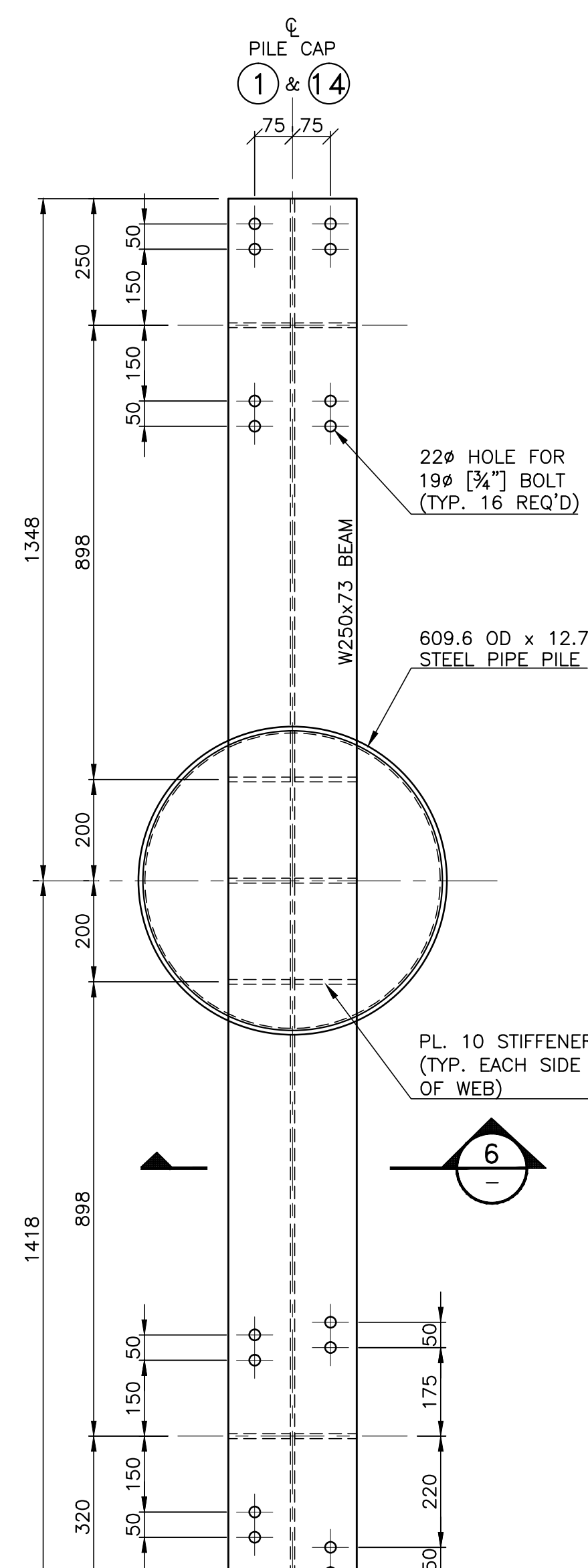
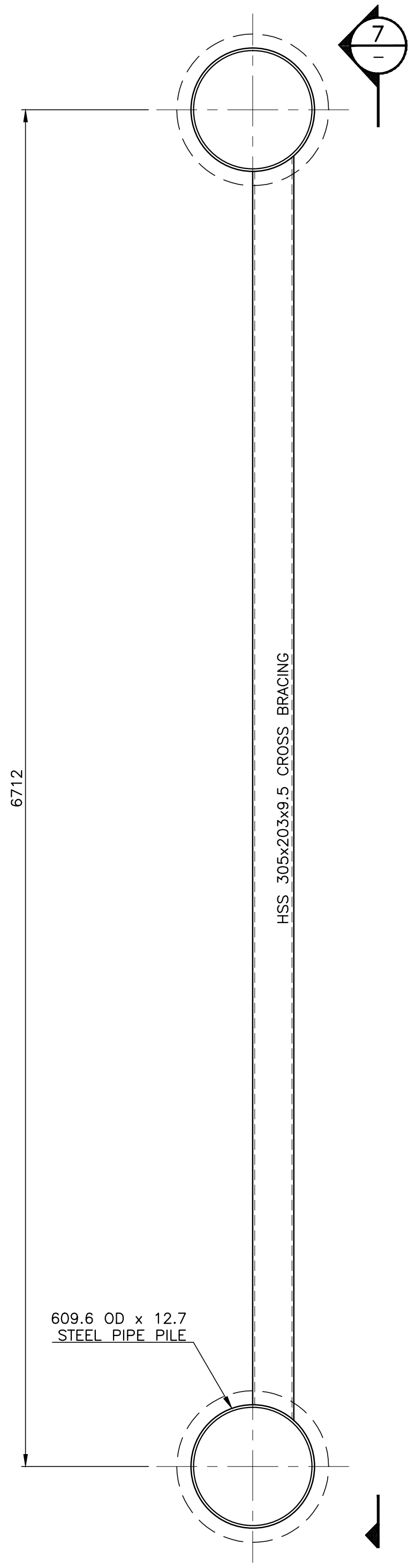


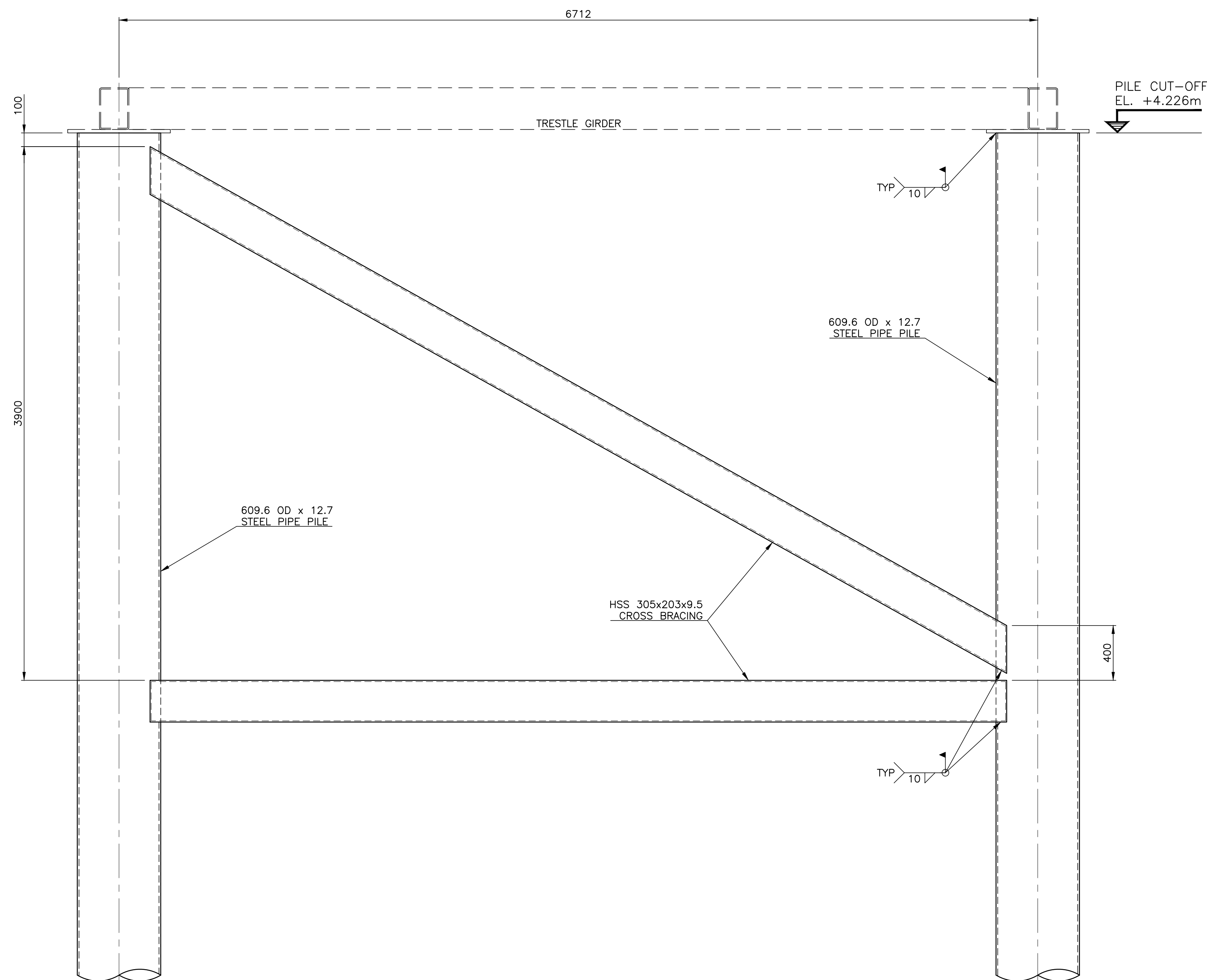
TYPICAL PILE CAP
1 : 10
TWELVE (12) REQ'D



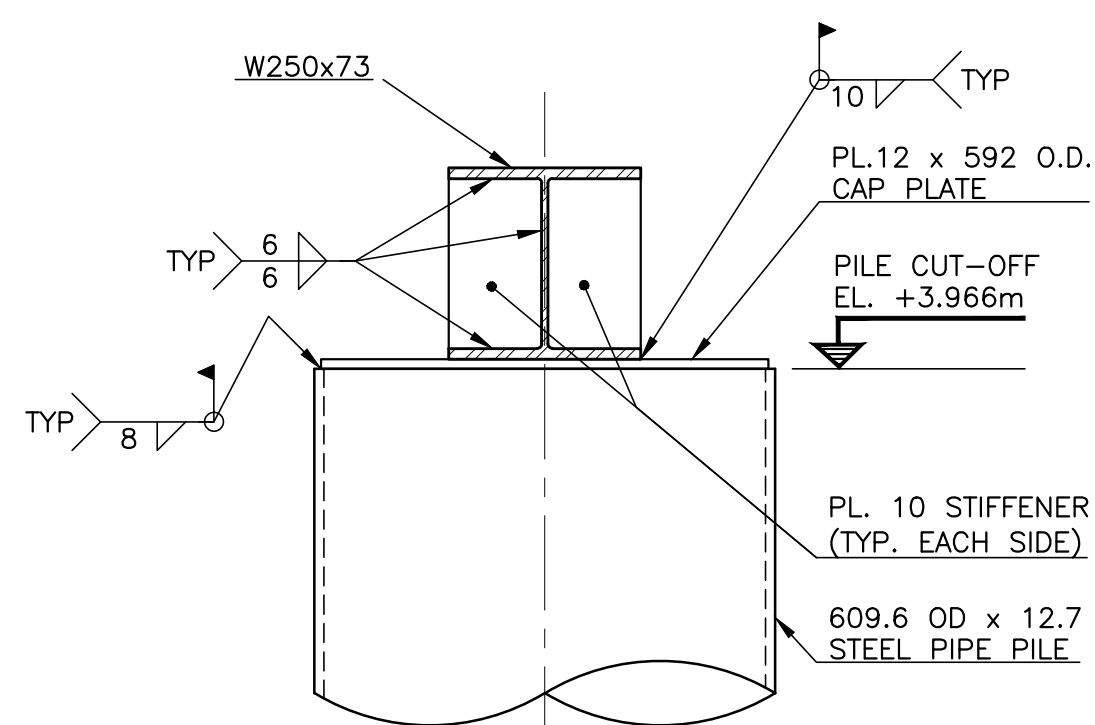
PILE CAP 1 & 14
1 : 10
[PILE CAP 14, AS SHOWN]
[PILE CAP 1, OPP. HAND]



PILE CAP 15
1 : 20



SECTION 7
1 : 20
[TRESTLE GRATING AND RAILING NOT SHOWN]



SECTION 6
1 : 10

NOTES:
1. REFER TO DWG. -001 FOR GENERAL NOTES.

REVISION	REVISION	REFERENCE DRAWINGS
E	J	
D	I	
C	H	
B	G	
A	F	

THIS DRAWING IS THE PROPERTY OF VILLHOLTH JENSEN & ASSOCIATES LTD. AND SHALL ONLY BE USED FOR THE PURPOSE TO WHICH IT REFERS. THIS DRAWING IS PREPARED SOLELY FOR THE USE BY THE PARTY WITH WHOM VILLHOLTH JENSEN & ASSOCIATES LTD. HAS ENTERED INTO A CONTRACT AND THERE ARE NO REPRESENTATIONS OF ANY KIND MADE BY VILLHOLTH JENSEN & ASSOCIATES LTD. TO ANY PARTY WITH WHOM VILLHOLTH JENSEN & ASSOCIATES LTD. HAS NOT ENTERED INTO A CONTRACT.

DESIGNED:	A.P.	SCALE:	AS NOTED
DRAWN:	P.D.M.	FILE No.	212124-012
CHECKED:	A.P.	CAD FILE NAME:	212124-012
APPROVED:		PROJECT No.	212124

VILLHOLTH JENSEN & ASSOC. LTD.
CONSULTING ENGINEERS
VANCOUVER, B.C.

	Fisheries and Oceans	Pêches et Océans
PORT HARDY - NEW CCG STATION		
ACCESS TRESTLE	DRAWING No.	REV.
SHEET 3 of 3	212124-012	B

June 11, 2014 12:00pm