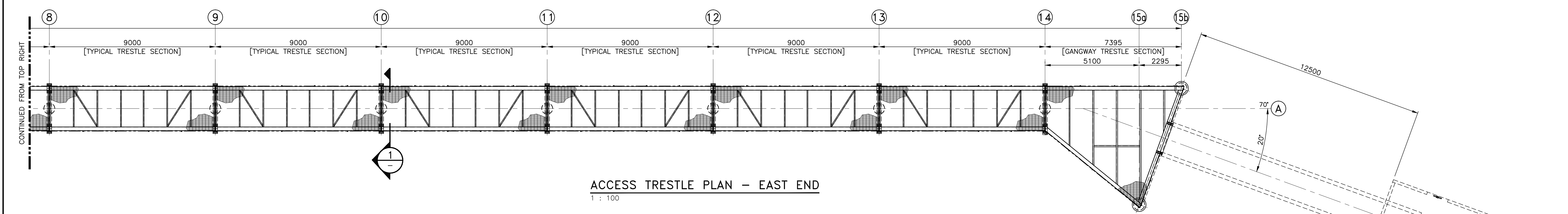
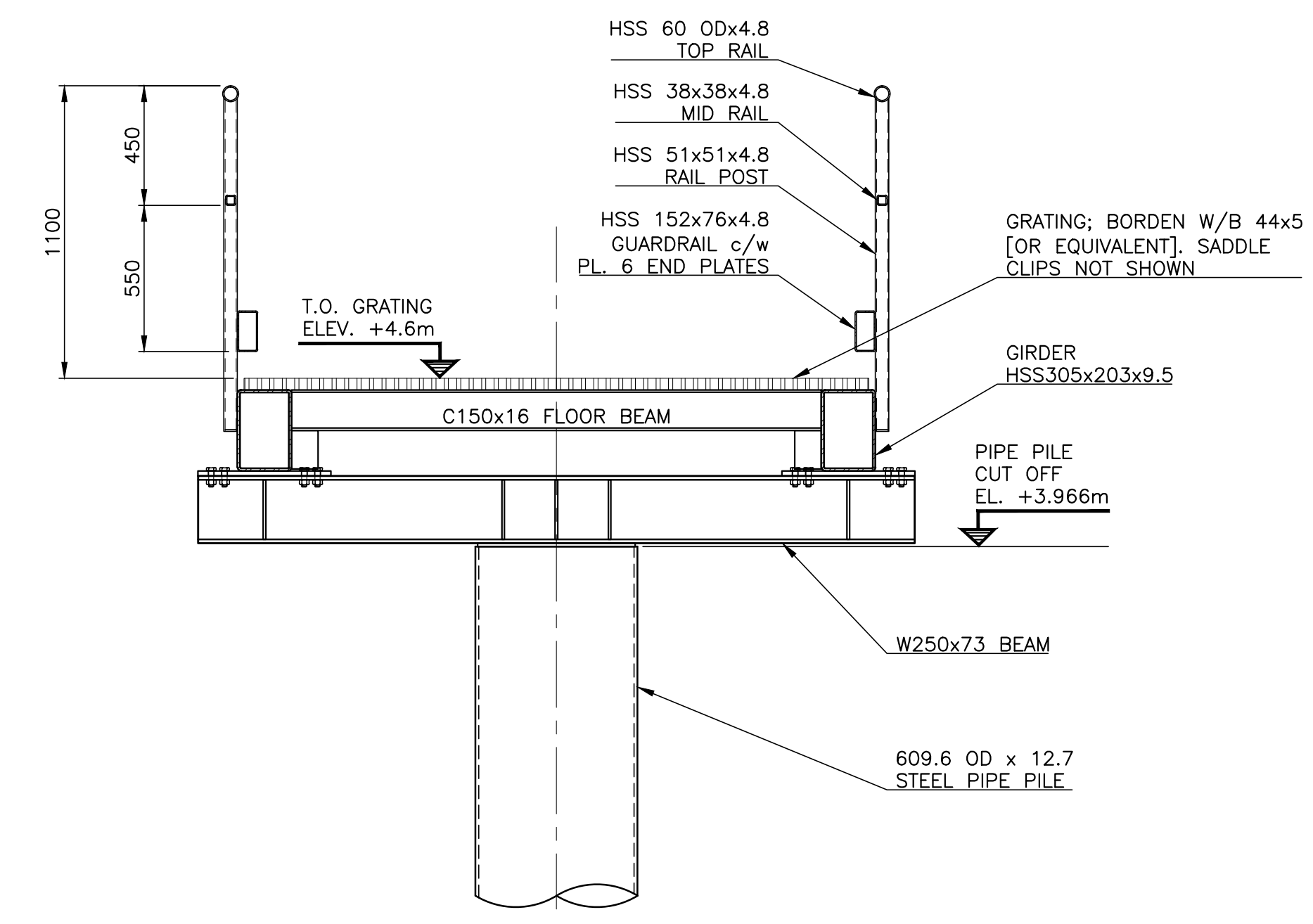


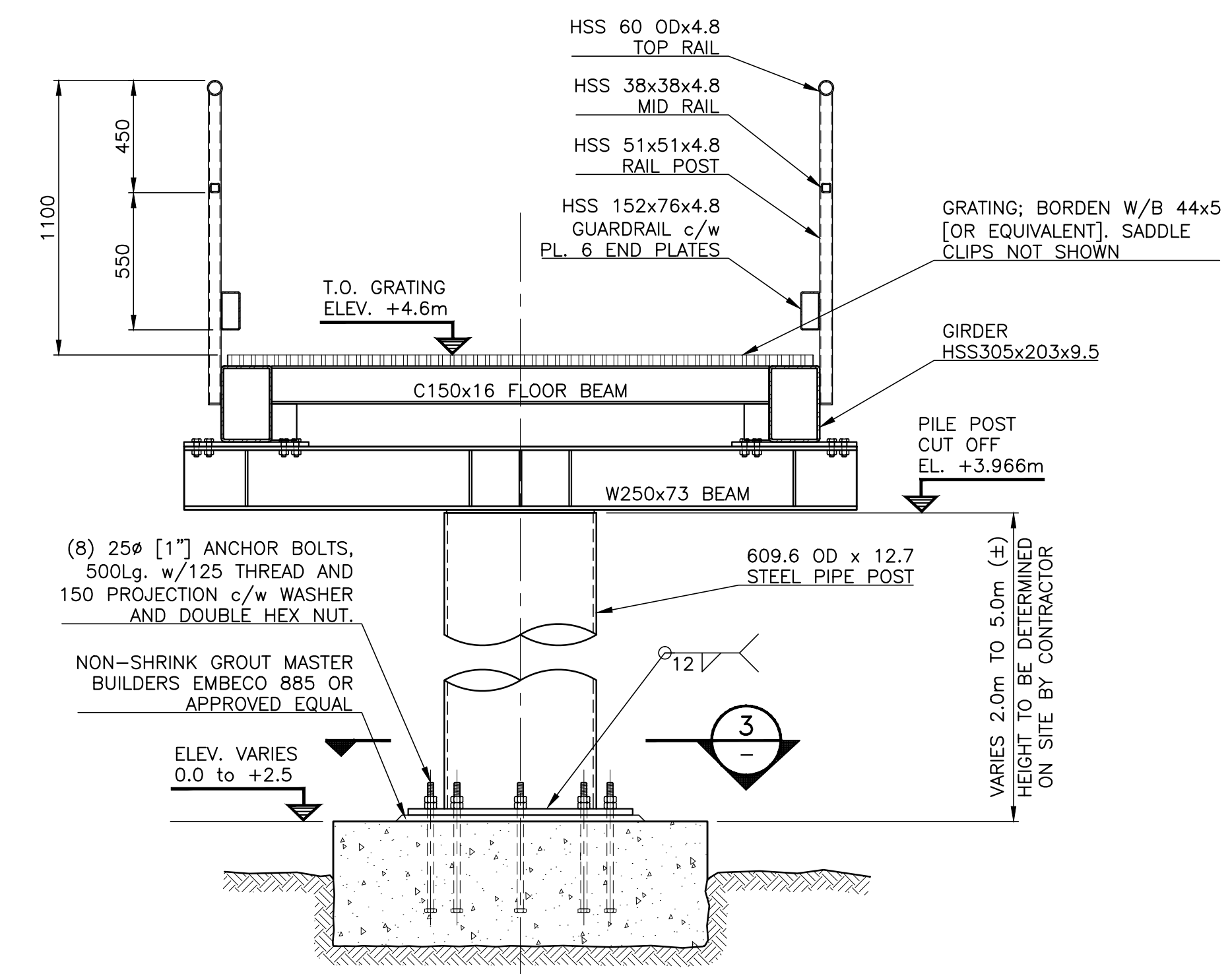
ACCESS TRESTLE PLAN - WEST END
1 : 100



ACCESS TRESTLE PLAN - EAST END
1 : 100

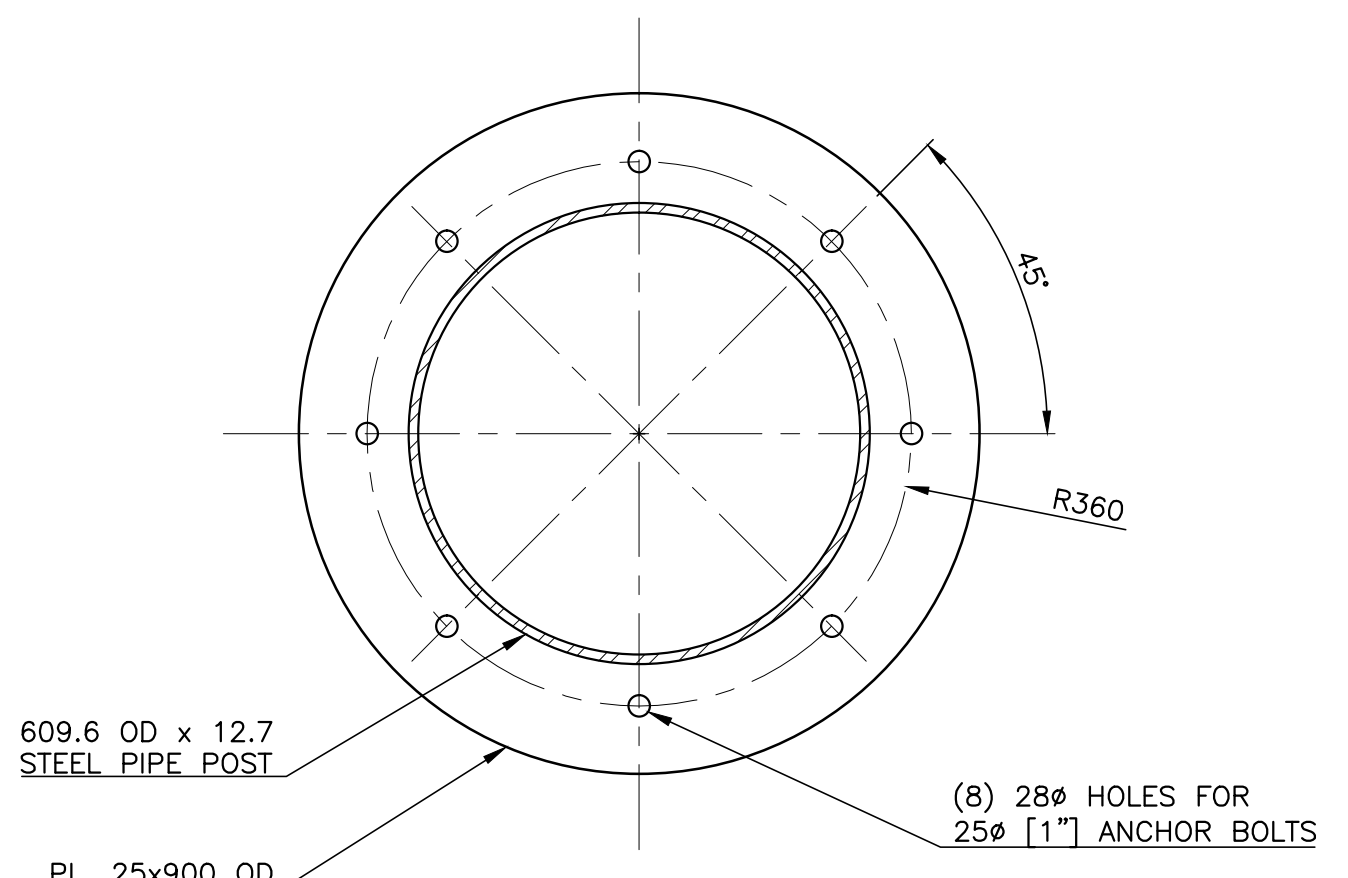


SECTION 1
1 : 20



SECTION 2
1 : 20

[PILE CAPS 1 THRU 5]



SECTION 3
1 : 10

NOTES:
1. REFER TO DWG. -001 FOR GENERAL NOTES.

REVISION	DATE	BY	APP.
E		J	
D		I	
C		H	
B	06.13.14	A.P.	G
A	05.30.14	A.P.	F

REVISION	DATE	BY	APP.

REFERENCE DRAWINGS

THIS DRAWING IS THE PROPERTY OF VILLHOLTH JENSEN & ASSOCIATES LTD. AND SHALL ONLY BE USED FOR THE PURPOSE TO WHICH IT REFERS. THIS DRAWING IS PREPARED SOLELY FOR THE USE BY THE PARTY WITH WHOM VILLHOLTH JENSEN & ASSOCIATES LTD. HAS ENTERED INTO A CONTRACT AND THERE ARE NO REPRESENTATIONS OF ANY KIND MADE BY VILLHOLTH JENSEN & ASSOCIATES LTD. TO ANY PARTY WITH WHOM VILLHOLTH JENSEN & ASSOCIATES LTD. HAS NOT ENTERED INTO A CONTRACT.

DESIGNED:	A.P.	SCALE:	AS NOTED
DRAWN:	P.D.M.	FILE No.	212124-002
CHECKED:	A.P.	CAD FILE NAME:	212124-002
APPROVED:		PROJECT No.	212124

VILLHOLTH JENSEN & ASSOC. LTD.
CONSULTING ENGINEERS
VANCOUVER, B.C.

Fisheries and Oceans Pêches et Océans	
PORT HARDY - NEW CCG STATION	
ACCESS TRESTLE PLAN AND SECTIONS	DRAWING No. 212124-002
	REV. B

June 9, 2014 12:00pm