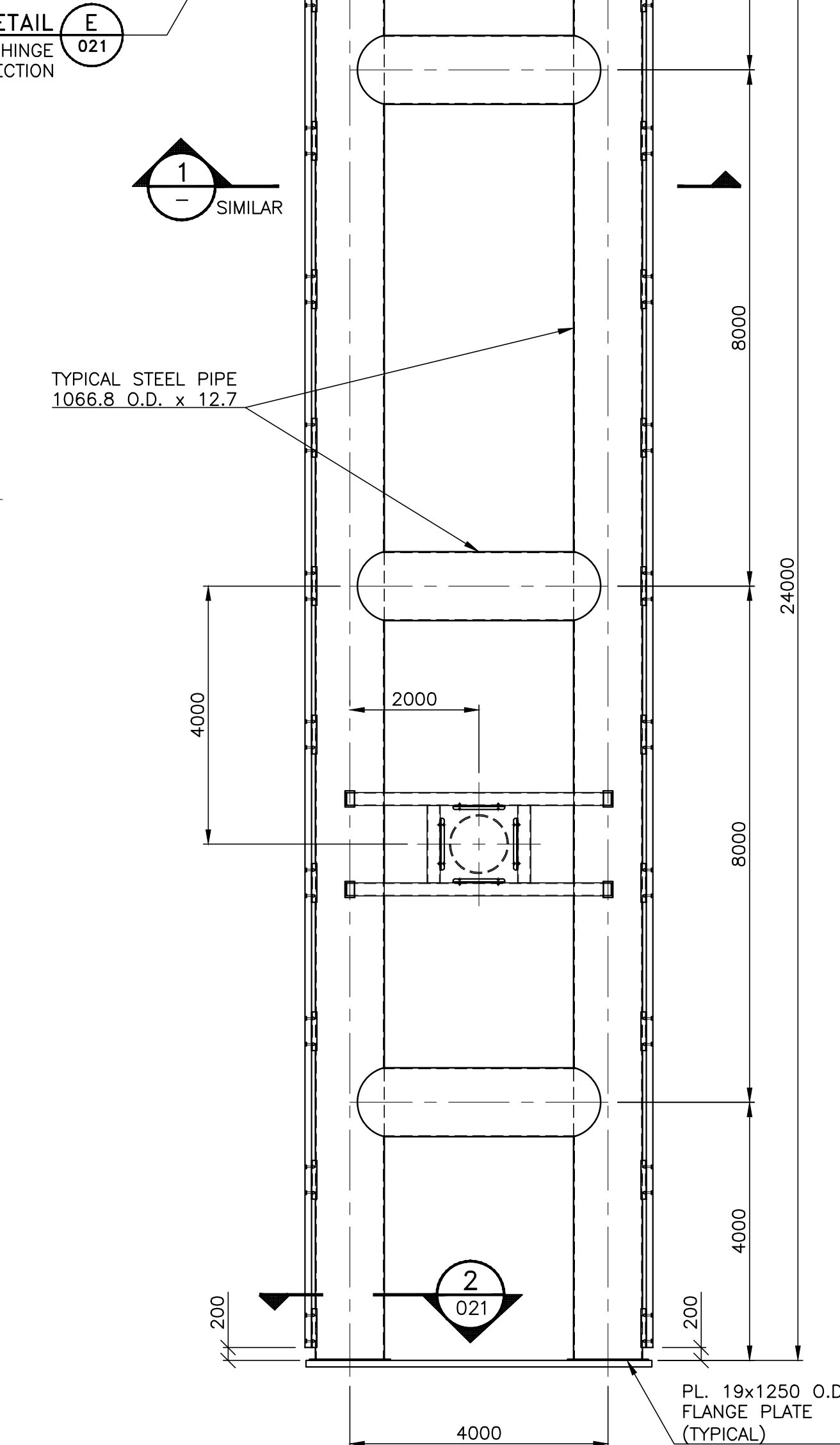
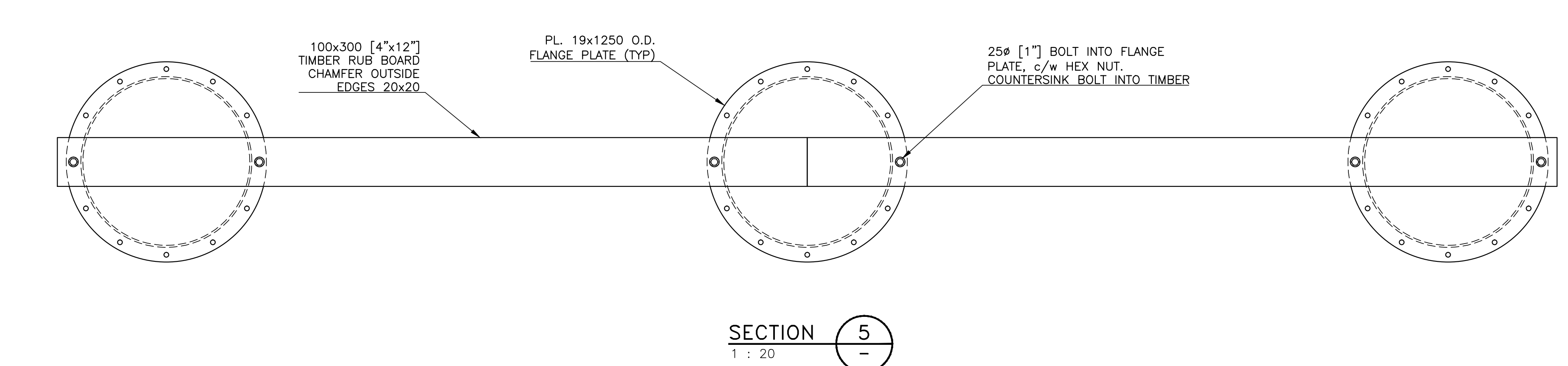
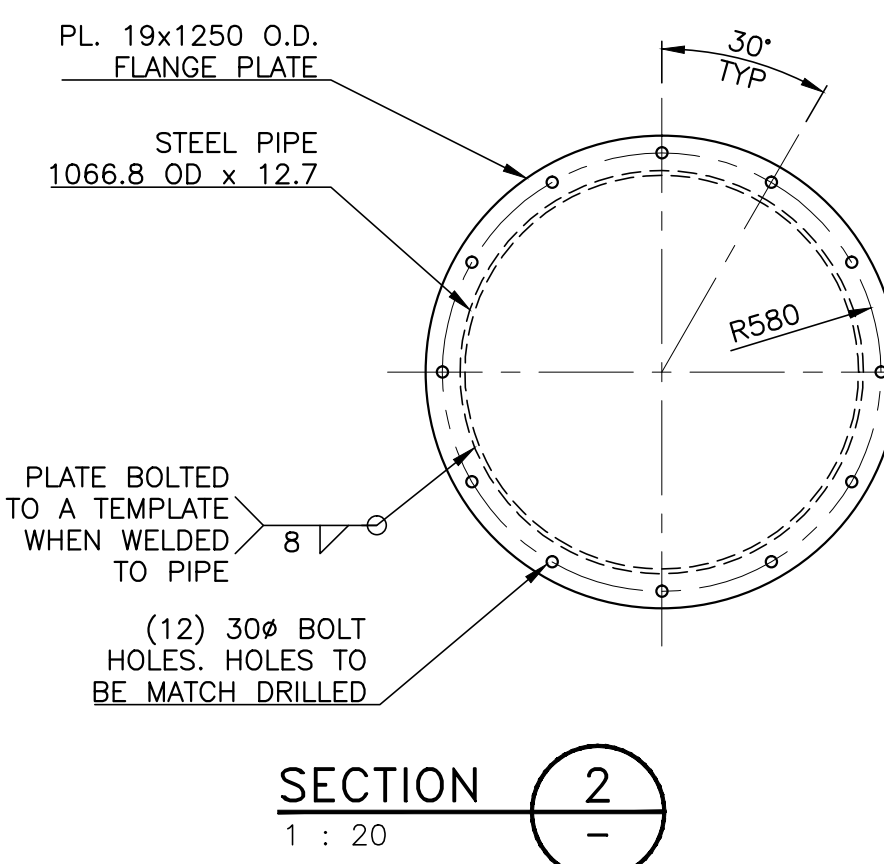
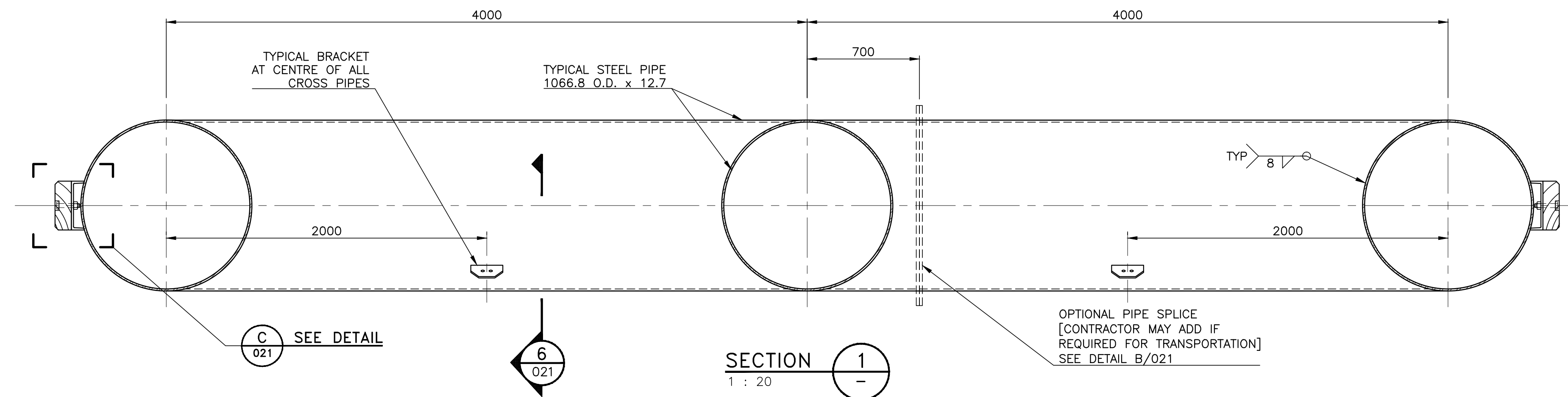
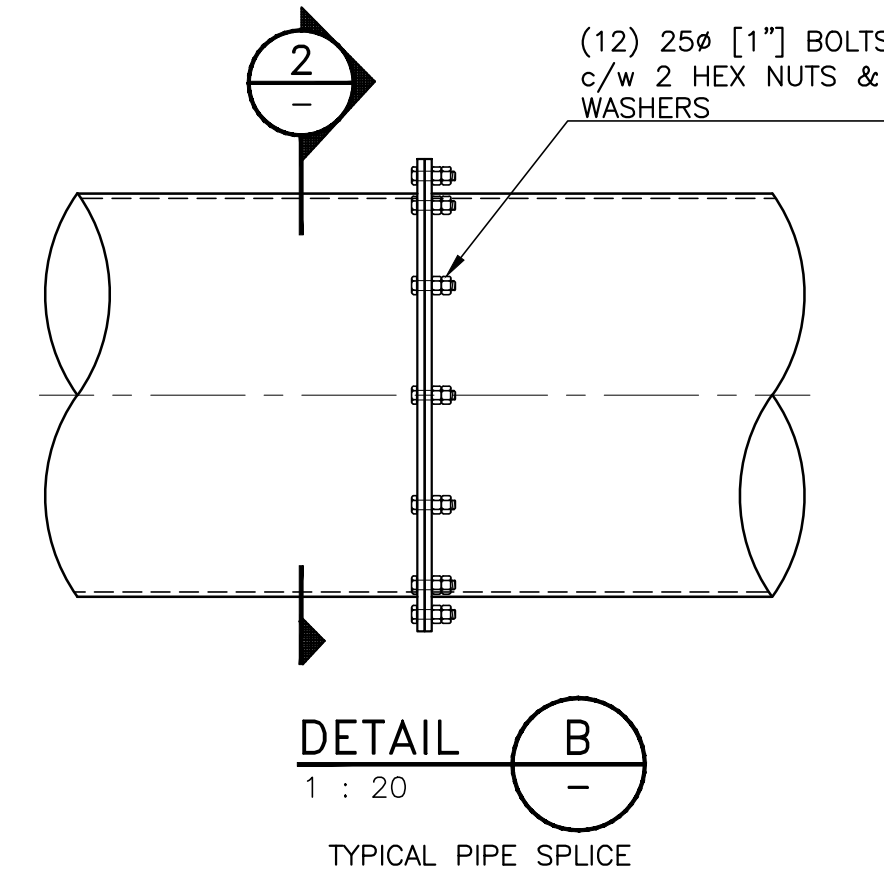


BREAKWATER PLAN
1 : 75



NOTES:
1. REFER TO DWG. -001 FOR GENERAL NOTES.

[RUB BOARD MOUNTING OPTION AT BREAKWATER ENDS]

<table border="1"> <tr><td>E</td><td></td><td></td><td></td><td>J</td></tr> <tr><td>D</td><td></td><td></td><td></td><td>I</td></tr> <tr><td>C</td><td></td><td></td><td></td><td>H</td></tr> <tr><td>B</td><td>ISSUED FOR TENDER</td><td>06.13.14</td><td>A.P.</td><td>G</td></tr> <tr><td>A</td><td>ISSUED FOR REVIEW</td><td>05.30.14</td><td>A.P.</td><td>F</td></tr> </table>		E				J	D				I	C				H	B	ISSUED FOR TENDER	06.13.14	A.P.	G	A	ISSUED FOR REVIEW	05.30.14	A.P.	F	<table border="1"> <tr><td></td><td></td><td></td><td></td><td></td></tr> <tr><td></td><td></td><td></td><td></td><td></td></tr> <tr><td></td><td></td><td></td><td></td><td></td></tr> <tr><td></td><td></td><td></td><td></td><td></td></tr> <tr><td></td><td></td><td></td><td></td><td></td></tr> </table>																											<table border="1"> <tr><td></td><td></td><td></td><td></td><td></td></tr> <tr><td></td><td></td><td></td><td></td><td></td></tr> <tr><td></td><td></td><td></td><td></td><td></td></tr> <tr><td></td><td></td><td></td><td></td><td></td></tr> <tr><td></td><td></td><td></td><td></td><td></td></tr> </table>																											<p>THIS DRAWING IS THE PROPERTY OF VILLHOLTH JENSEN & ASSOCIATES LTD. AND SHALL ONLY BE USED FOR THE PURPOSE TO WHICH IT REFERS. THIS DRAWING IS PREPARED SOLELY FOR THE USE BY THE PARTY WITH WHOM VILLHOLTH JENSEN & ASSOCIATES LTD. HAS ENTERED INTO A CONTRACT AND THERE ARE NO REPRESENTATIONS OF ANY KIND MADE BY VILLHOLTH JENSEN & ASSOCIATES LTD. TO ANY PARTY WITH WHOM VILLHOLTH JENSEN & ASSOCIATES LTD. HAS NOT ENTERED INTO A CONTRACT.</p>		<table border="1"> <tr><td>DESIGNED:</td><td>A.P.</td></tr> <tr><td>DRAWN:</td><td>P.D.M.</td></tr> <tr><td>CHECKED:</td><td>A.P.</td></tr> <tr><td>APPROVED:</td><td></td></tr> </table>		DESIGNED:	A.P.	DRAWN:	P.D.M.	CHECKED:	A.P.	APPROVED:		<table border="1"> <tr><td>SCALE:</td><td>AS NOTED</td></tr> <tr><td>FILE No.</td><td>212124-020</td></tr> <tr><td>CAD FILE NAME:</td><td>212124-020</td></tr> <tr><td>PROJECT No.</td><td>212124</td></tr> </table>		SCALE:	AS NOTED	FILE No.	212124-020	CAD FILE NAME:	212124-020	PROJECT No.	212124	<p>VILLHOLTH JENSEN & ASSOC. LTD. CONSULTING ENGINEERS VANCOUVER, B.C.</p>		<p>Fisheries and Oceans Pêches et Océans</p>		<p>PORT HARDY - NEW CCG STATION</p>		<table border="1"> <tr><td>BREAKWATER FLOATS PLAN, SECTIONS & DETAILS</td><td>DRAWING No.</td><td>REV.</td></tr> <tr><td></td><td>212124-020</td><td>B</td></tr> </table>		BREAKWATER FLOATS PLAN, SECTIONS & DETAILS	DRAWING No.	REV.		212124-020	B
E				J																																																																																																																
D				I																																																																																																																
C				H																																																																																																																
B	ISSUED FOR TENDER	06.13.14	A.P.	G																																																																																																																
A	ISSUED FOR REVIEW	05.30.14	A.P.	F																																																																																																																
DESIGNED:	A.P.																																																																																																																			
DRAWN:	P.D.M.																																																																																																																			
CHECKED:	A.P.																																																																																																																			
APPROVED:																																																																																																																				
SCALE:	AS NOTED																																																																																																																			
FILE No.	212124-020																																																																																																																			
CAD FILE NAME:	212124-020																																																																																																																			
PROJECT No.	212124																																																																																																																			
BREAKWATER FLOATS PLAN, SECTIONS & DETAILS	DRAWING No.	REV.																																																																																																																		
	212124-020	B																																																																																																																		