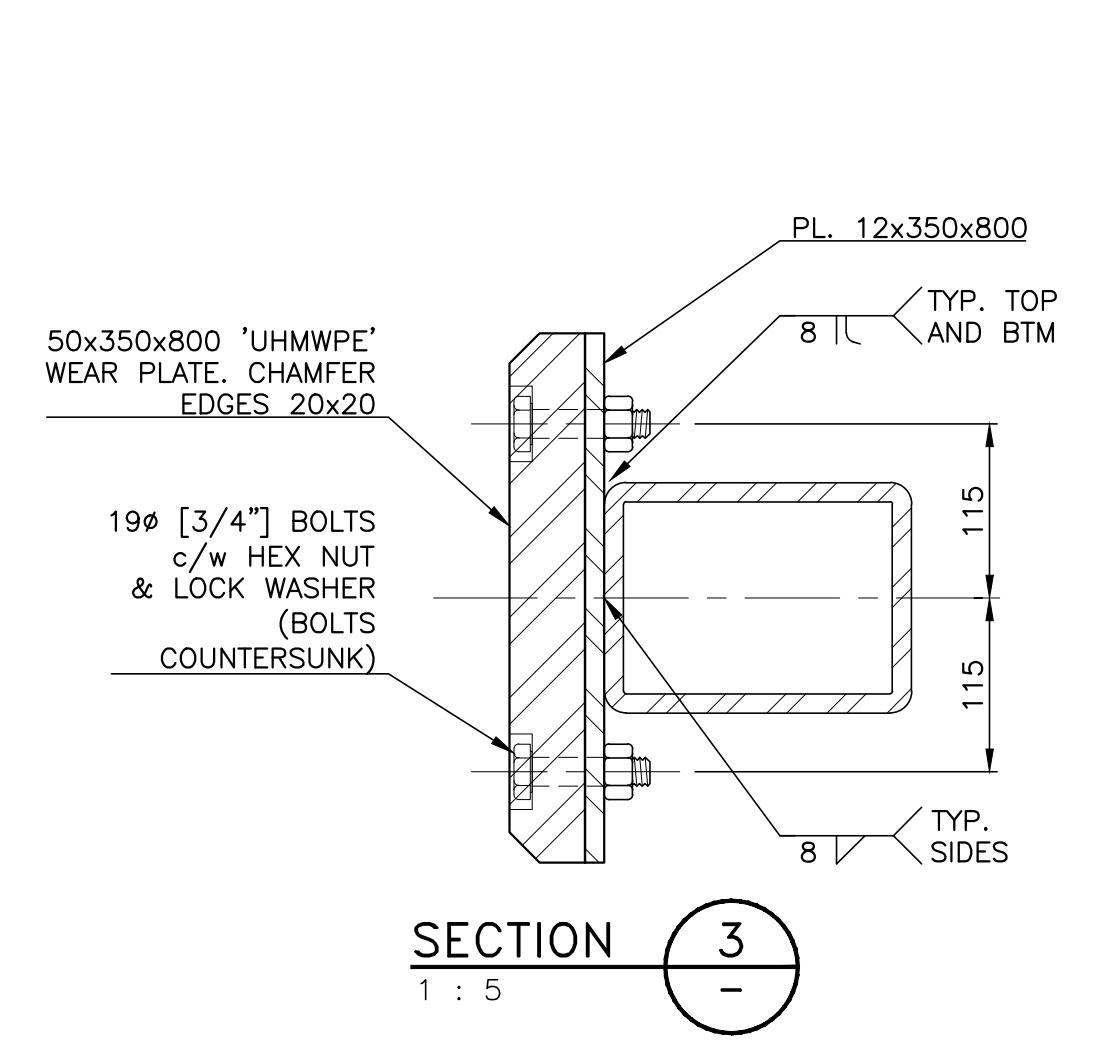
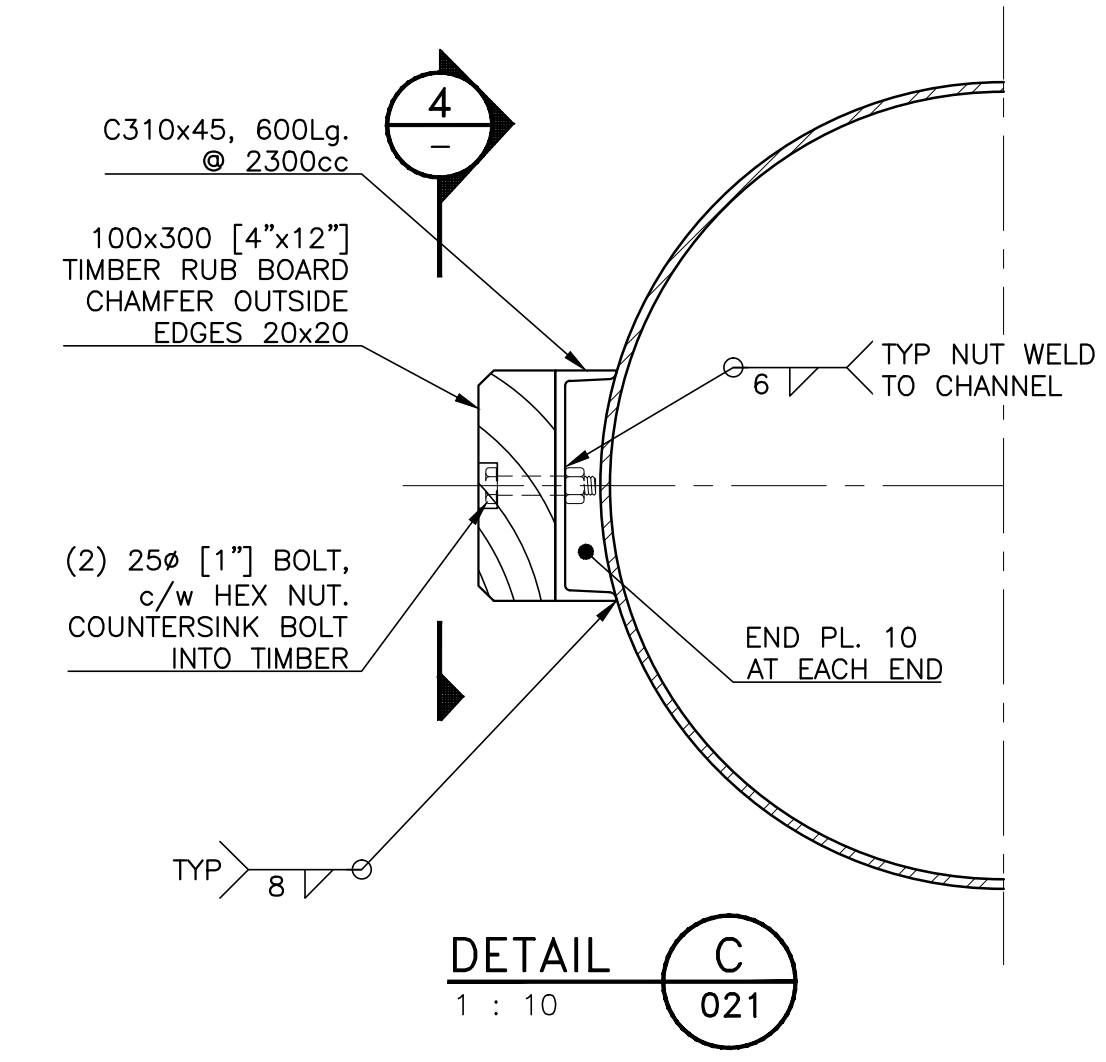


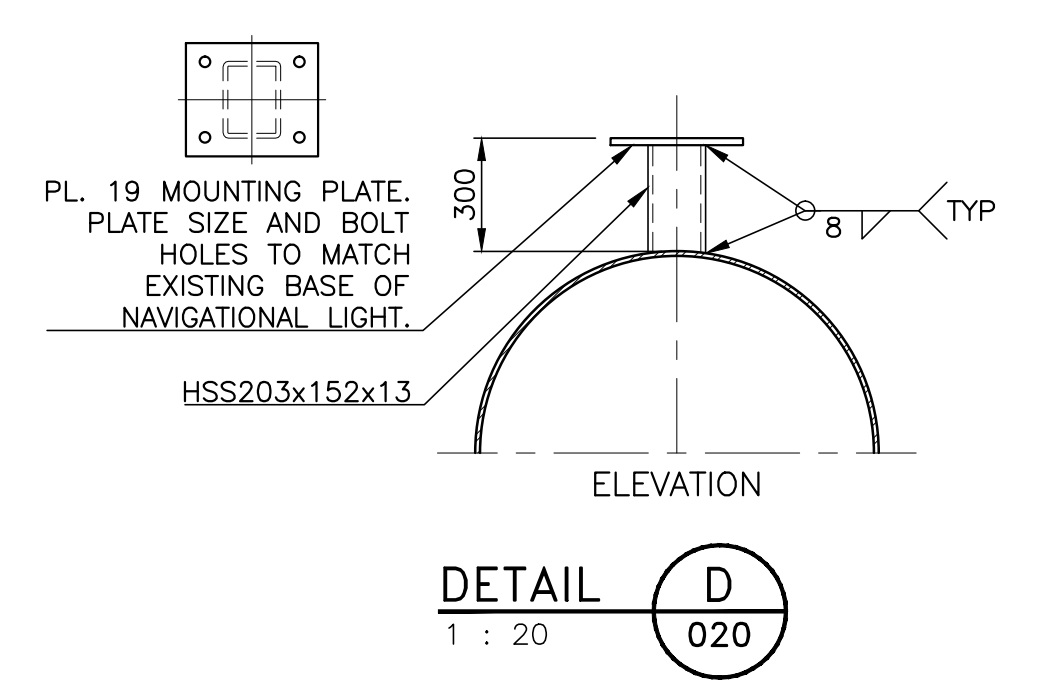
DETAIL A  
1 : 10 (021)



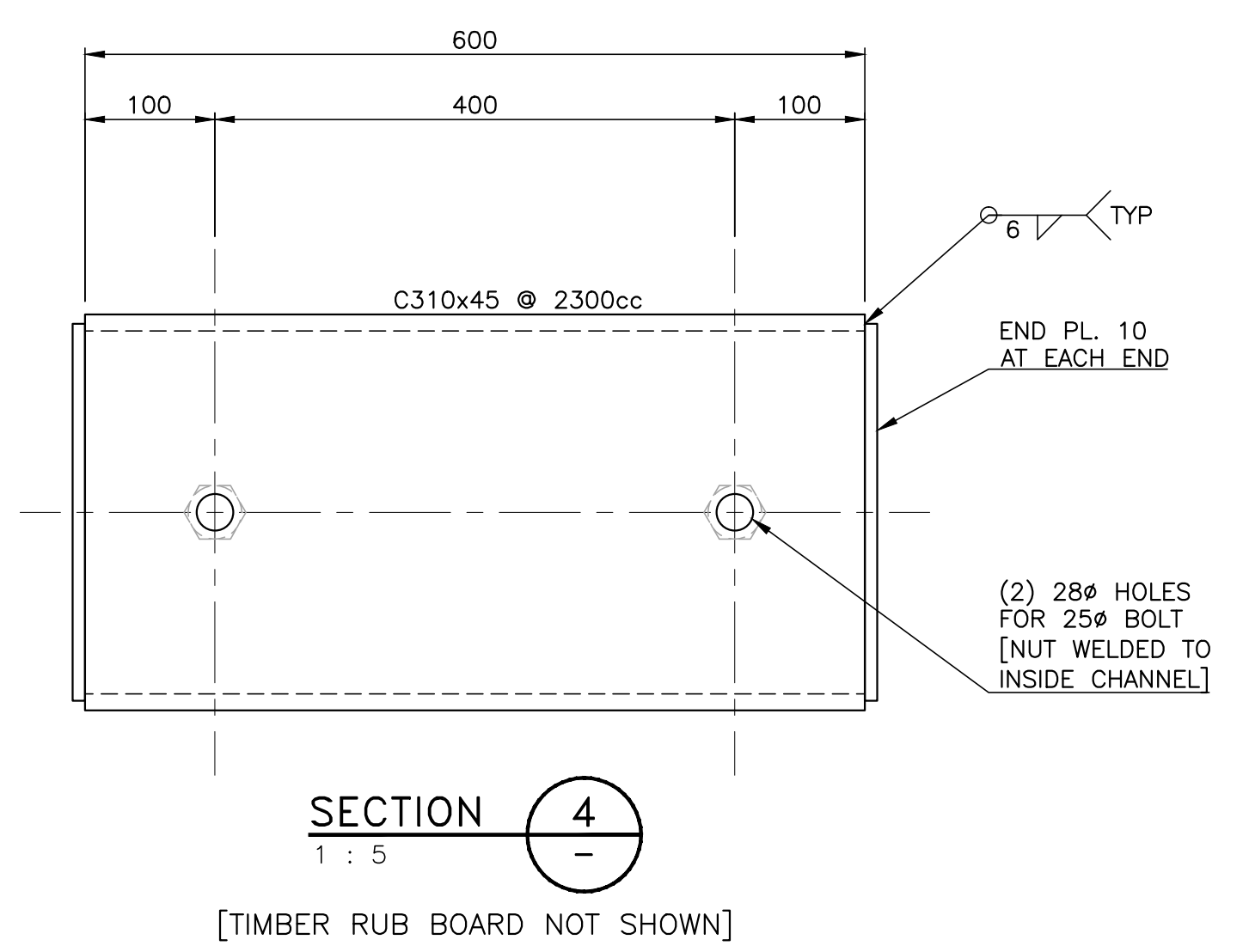
SECTION 3  
1 : 5 (020)



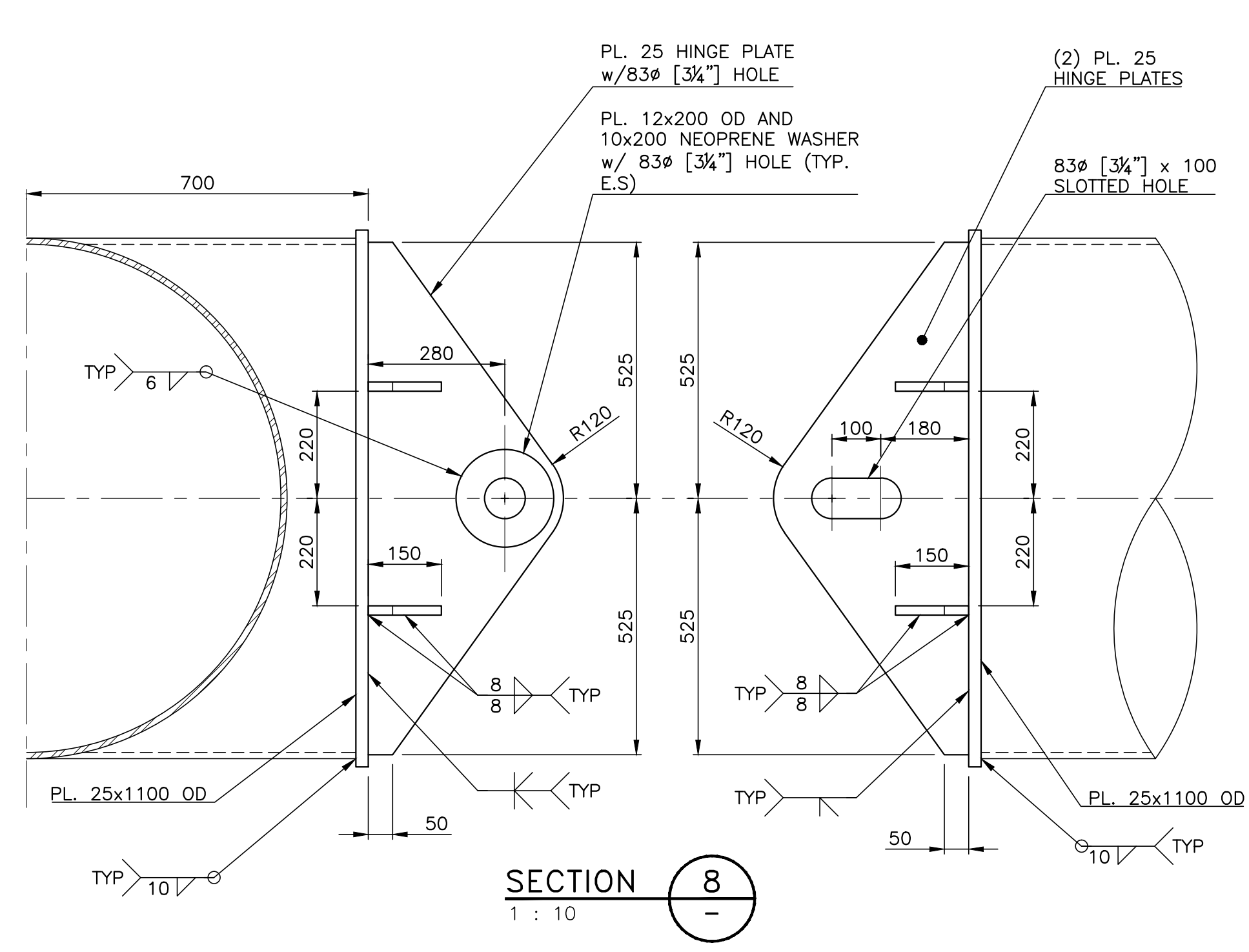
SECTION 4  
1 : 10 (021)



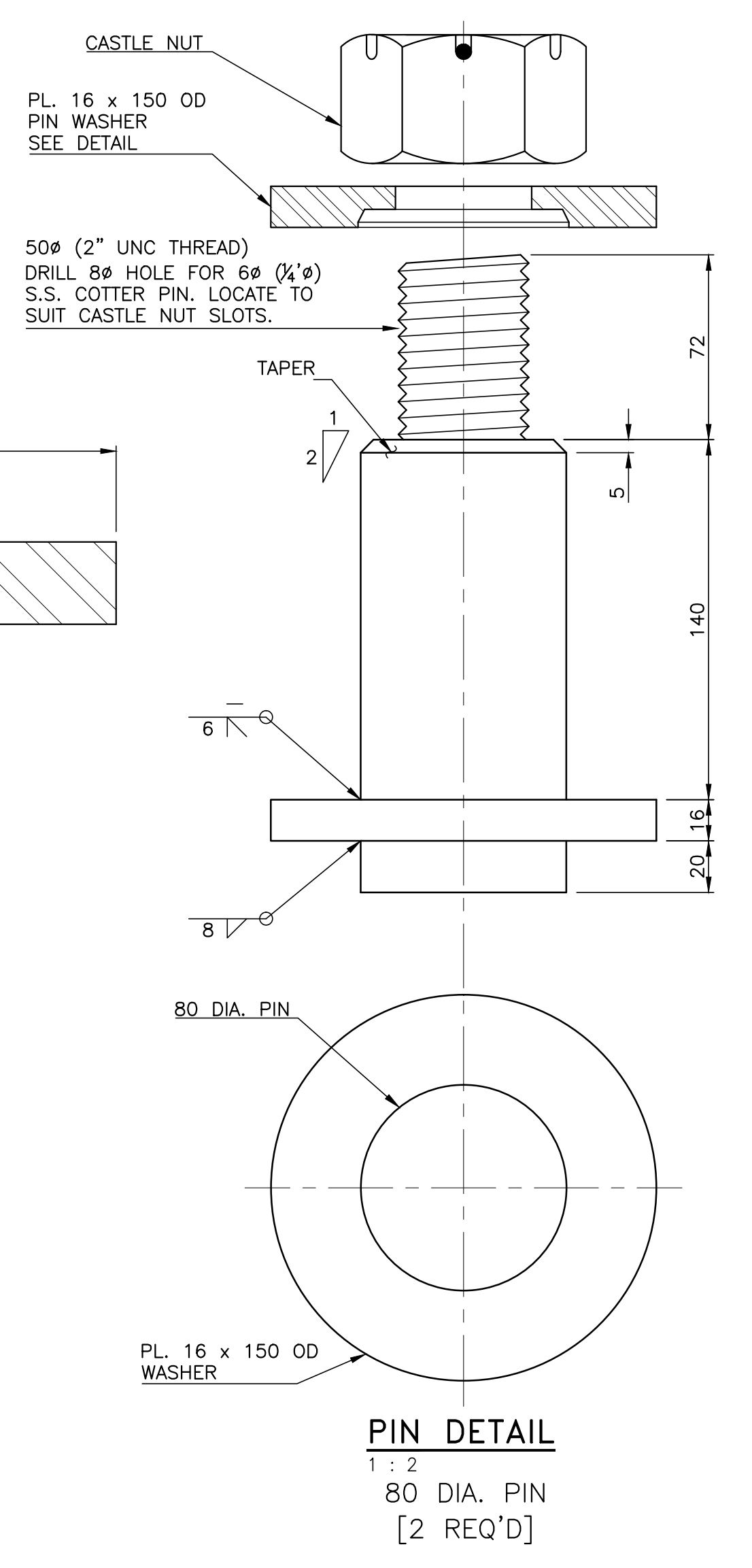
ELEVATION  
DETAIL D  
1 : 20 (020)



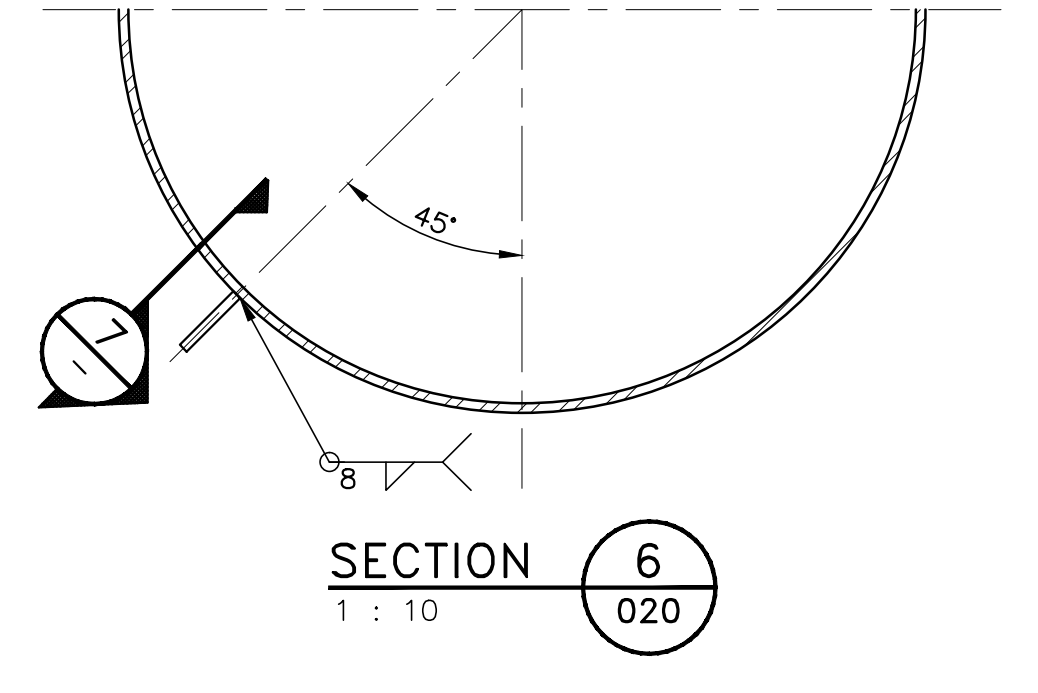
SECTION 4  
1 : 5 (020)



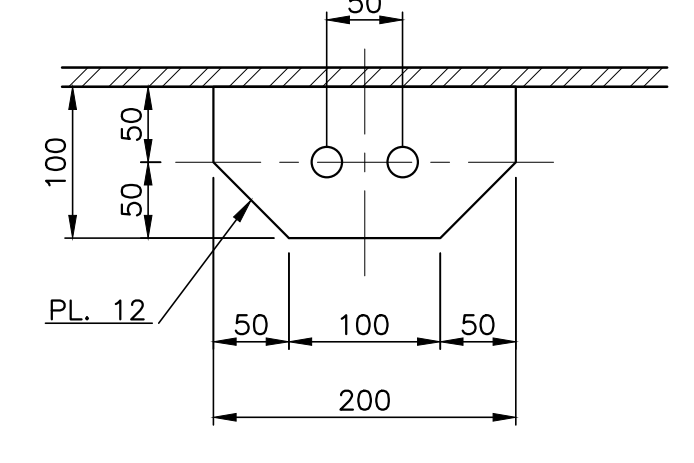
SECTION 8  
1 : 10 (020)



PIN DETAIL  
1 : 2 (020)



SECTION 6  
1 : 10 (020)



SECTION 7  
1 : 5 (020)

NOTES:  
1. REFER TO DWG. -001 FOR GENERAL NOTES.

REVISION	DATE	BY	APP.
E		J	
D		I	
C		H	
B	06.13.14	A.P.	G
A	05.30.14	A.P.	F

REVISION	DATE	BY	APP.

REFERENCE DRAWINGS

THIS DRAWING IS THE PROPERTY OF VILLHOLTH JENSEN & ASSOCIATES LTD. AND SHALL ONLY BE USED FOR THE PURPOSE TO WHICH IT REFERS. THIS DRAWING IS PREPARED SOLELY FOR THE USE BY THE PARTY WITH WHOM VILLHOLTH JENSEN & ASSOCIATES LTD. HAS ENTERED INTO A CONTRACT AND THERE ARE NO REPRESENTATIONS OF ANY KIND MADE BY VILLHOLTH JENSEN & ASSOCIATES LTD. TO ANY PARTY WITH WHOM VILLHOLTH JENSEN & ASSOCIATES LTD. HAS NOT ENTERED INTO A CONTRACT.

DESIGNED:	A.P.	SCALE:	AS NOTED
DRAWN:	P.D.M.	FILE No.	212124-021
CHECKED:	A.P.	CAD FILE NAME:	212124-021
APPROVED:		PROJECT No.	212124

VILLHOLTH JENSEN & ASSOC. LTD.  
CONSULTING ENGINEERS  
VANCOUVER, B.C.

PORT HARDY - NEW CCG STATION	
BREAKWATER FLOATS SECTIONS AND DETAILS	DRAWING No. 212124-021
	REV. B

June 11, 2014 10:00am