

# CANADIAN MUSEUM OF IMMIGRATION AT PIER 21

ISSUED FOR TENDER JULY 11 2014



IMPERIAL SCALE DRAWING  
FIRST FLOOR ELEV. 00.00m

1	ISSUED FOR REVIEW	15 JUN 2014
2	ISSUED FOR INFORMATION	30 JUN 2014
3	ISSUED FOR DESIGN	18 APR 2014
4	ISSUED FOR TENDER	13 JUN 2014
5	ISSUED FOR TENDER	11 JULY 2014

SYMBOL LEGEND	
	ELEVATION DETAIL REFERENCE
	INTERIOR ELEVATION REFERENCE
	SECTION DETAIL REFERENCE
	DETAIL REFERENCE
	DETAIL REFERENCE
	DETAIL REFERENCE
	ROOM TAG
	WALL TYPE
	PARTITION TYPE
	WINDOW / SCREEN TAG
	DOOR TAG
	MILLWORK TAG
	FLOOR MATERIAL CHANGE
	ELEVATION REFERENCE
	SPOT ELEVATION REFERENCE
	FIRE RATING / NOTE
	REVISION NUMBER
	GRID LINE REFERENCE
	DIMENSION (TAKEN TO FACE OF DRYWALL)
	EXISTING WALL
	ITEM TO BE DEMOLISHED

CONSULTANT LIST	
<b>ARCHITECTURAL CONSULTANTS</b>	Luc Bouliane Architect Inc. + David J Agro Architect Inc 1259 Dundas Street West, Toronto, M6J 1X6 Contact: David Agro Tel: 416 300 0656
<b>LOCAL ARCHITECTURAL CONSULTANT</b>	Michael Grunsky Architect Inc.
<b>MECHANICAL &amp; ELECTRICAL CONSULTANTS</b>	ONSA : F.C. O'Neill, Scriven & Assoc's Limited 5450 Cornwallis Street Halifax, N.S. B3K 1A9 Tel: 902 429 0701 Fax: 902 429 9729 Mechanical Contact: G. Scott Moore, P.Eng. Electrical Contact: Allan A. MacDonald, P.Eng.
<b>STRUCTURAL CONSULTANT</b>	BMR Structural Engineering 5413 Doyle Street Halifax, N.S. B3J 1H9 Tel: 902 429 3321 Fax: 902 422 8650 Contact: John Richardson, M.Sc., P.Eng.
<b>KITCHEN CONSULTANT</b>	JF George & Associates Food Service Consultants 7 Retreat Ave. Halifax, NS B3N 1Y1 Tel: 902 832 1795 Cell: 902 456 6270 Contact: Joe George
<b>LIGHTING CONSULTANT</b>	Alain Couture Light 1407-318 King St. E. Toronto, ON M5A 0C1 Tel: 416 709 7300 Contact: Alain Couture

WALL, FURRING, CEILING & FLOOR TYPE LEGEND:	
<b>WALL TYPES:</b>	
GENERAL NOTES: 1. PROVIDE ACOUSTIC SEAL ALL AROUND WALL TYPES WITH ACOUSTIC INSULATION. SEE DETAIL 5/A1.7.0 FOR 2. SEE S & 5A/A1.7.0 FOR DETAIL OF WALLS AT EXISTING MASONRY AND WOOD DECK.	
	Wall Type 1 (W1) 1 Hour Rated - Floor to Ceiling (Sim ULC Des W407 or W409) 5/8" Fire resistance Code C GWB 6" Steel Stud, Regular, Galvanized (Ø 16" O/C) 5/8" Fire resistance Code C GWB
	Wall Type 2 (W2) Tile (See interior elevations for locations) 5/8" Moisture and Mold resistant GWB 6" Structural Steel Stud, Galvanized (Ø 16" O/C) to Underside of Wood Deck Space as Required Sound Attenuation Batts to ceiling of WC 6" Structural Steel Stud, Galvanized (Ø 16" O/C) to Underside of Wood Deck 5/8" Moisture and Mold resistant GWB
	Wall Type 3 (W3) 5/8" GWB (Moisture and Mold resistant GWB on Bathroom Side) 6" Structural Steel Stud, Galvanized (Ø 16" O/C) to Underside of Wood Deck Sound Attenuation Batts to underside of Wood Deck 5/8" Regular GWB
	Wall Type 4 (W4) 5/8" Regular GWB 5/8" Plywood sheathing (Welcome Pavilion Side) 6" Structural Steel Stud, Galvanized (Ø 16" O/C) to Underside of Beam/Ceiling Deck Sound Attenuation Batts to underside of Ceiling / Beam 5/8" Regular GWB Surface Sound Treatment (See plan & interior elevations for locations)
	Wall Type 5 (W5) 5/8" Regular GWB 5/8" Plywood sheathing (Welcome Pavilion Side) 6" Structural Steel Stud, Galvanized (Ø 16" O/C) to Underside of Beam/Ceiling Deck Sound Attenuation Batts to underside of Ceiling / Beam 4" Space for sliding partitions 6" Structural Steel Stud, Galvanized (Ø 16" O/C) to Underside of Beam/Ceiling Deck 5/8" Regular GWB Surface Sound Treatment (See plan & interior elevations for locations)
	Wall Type 6 (W6) 5/8" Impact Resistant GWB to 4' AFF 5/8" Regular GWB above 4' to Ceiling 6" Structural Steel Stud, Galvanized (Ø 16" O/C) to Underside of Beam/Ceiling Deck 5/8" Regular GWB Surface Sound Treatment (See plan & interior elevations for locations)
	Wall Type 7 (W7) 5/8" Impact Resistant GWB to 4' AFF 5/8" Regular GWB above 4' to Ceiling 6" Structural Steel Stud, Galvanized (Ø 16" O/C) to Underside of Beam/Ceiling Deck 5/8" Regular GWB Surface Sound Treatment (See plan & interior elevations for locations)
	Wall Type 8 (W8) Tile (Around Sink) 5/8" Moisture and Mold resistant GWB (Sink Side) 6" Structural Steel Stud, Galvanized (Ø 16" O/C) to Underside of Wood Deck Sound Attenuation Batts to underside of Wood Deck 5/8" Regular GWB (Corridor Side)
	Wall Type 9 (W9) Tile (Bathroom Side) 5/8" Moisture and Mold resistant GWB (Bathroom Side) 6" Structural Steel Stud, Galvanized (Ø 16" O/C) to Underside of Wood Deck Sound Attenuation Batts to underside of Wood Deck 5/8" Regular GWB
	Wall Type 10 (between kitchen and stage) (W10) FRP Panel (Kitchen Side up 8') 5/8" Moisture and Mold resistant GWB (Kitchen side) 5/8" Regular GWB above 4' to Ceiling 6" Structural Steel Stud, Galvanized (Ø 16" O/C) to Underside of Wood Deck (second row / staggered) 6" Structural Steel Stud, Galvanized (Ø 16" O/C) to Underside of Wood Deck Sound Attenuation Batts to underside of Wood Deck within each row of studs. 5/8" Regular GWB 5/8" Regular GWB
	Wall Type 11 (existing exterior wall) (W11) Surface Sound Treatment (KCR Side) 5/8" Impact Resistant GWB to 4' AFF 5/8" Regular GWB above 4' to Ceiling 3 5/8" Structural Steel Stud, Galvanized (Ø 16" O/C) to Underside of Wood Deck OR as shown in interior elevations Existing steel framing & insulated wall panels by base building
	Wall Type 12 (W12) 5/8" Regular GWB 3 5/8" Steel Stud, Regular, Galvanized (Ø 16" O/C) 5/8" Regular GWB
	Wall Type 13 (W13) 8" Semi-Solid Concrete Block 2hr Fire Resistance Rating
	Wall Type 14 (W14) 1 Hour Rated - Floor to Ceiling (Sim ULC Des W407 or W409) 5/8" Fire resistance Code C GWB 3 5/8" Steel Stud, Regular, Galvanized (Ø 16" O/C) 5/8" Fire resistance Code C GWB
	Wall Type 15 (mechanical service space) (W15) 1 Hour Rated - Floor to Ceiling (Sim ULC Des W407 or W409) 5/8" Regular GWB 6" Structural Steel Stud - existing by base building Sound Attenuation Batts to underside of Wood Deck 5/8" Regular GWB
	Wall Type 16 (existing exterior wall - roof) (W16) 5/8" Regular GWB - interior side 6" Structural Steel Stud - existing by base building
	Wall Type 17 (existing exterior wall) (W17) Surface Sound Treatment (KCR Side) 5/8" Impact Resistant GWB to 4' AFF 5/8" Regular GWB above 4' to Ceiling 6" Structural Steel Stud, Galvanized (Ø 16" O/C) to Underside of Wood Deck

<b>FURRING TYPES:</b>	
	Furring 1 (F1) 5/8" Fire resistance Code C GWB 7/8" Steel Furring Channels, Galvanized (Ø 16" O/C)
	Furring 2 (F2) 5/8" Fire resistance Code C GWB 1 1/2" Steel Stud, Galvanized (Ø 16" O/C)
	Furring 3 (F3) 5/8" Fire resistance Code C GWB 3 5/8" Steel Stud, Galvanized (Ø 16" O/C)
	Furring 4 (F4) 5/8" Fire resistance Code C GWB 3 5/8" Steel Stud, Galvanized (Ø 16" O/C)
	Furring 5 (F5) 5/8" Fire resistance Code C GWB 6" Steel Stud, Galvanized (Ø 16" O/C)
<b>CEILING TYPES:</b>	
	Ceiling 1 (C1) 1 1/2" GWB 7/8" Steel Furring Channels, Galvanized (Ø 16" O/C) Metal Stud Framing as req'd suspended from wood deck
	Ceiling 2 (C2) Acoustic Ceiling Tile Ceiling Tile Grid System Suspended from Wood Deck
	Ceiling 3 (C3) Tectum Acoustic Panel - Site Painted Unistrut Grid System Suspended from Wood Deck
<b>FLOOR TYPES:</b>	
	Floor Type 1 (FL1) 1 1/2" GWB 2" Hardboard - painted 3/4" Plywood 3/4" Plywood 1 1/2" Wood Sleepers (Ø 16" O/C) 2x8" Wood Joists (Ø 16" O/C) 4x4" Wood Vertical Support Posts (Ø48" O.C.)

<b>FINISH &amp; WALL BASE LEGEND:</b>	<b>INTERIOR ELEVATION SYMBOL LEGEND:</b>
<b>WALL FINISH TYPES:</b>	<b>EDGE-LIT EXIT SIGN, SEE ELEC.</b>
RFP REINFORCED FIBREGLASS KITCHEN WALL PANELS. SEE INTERIOR ELEVATIONS FOR LOCATIONS & HEIGHTS.	RECESSED "PHANTOM" EMERGENCY LIGHT, SEE ELEC.
MWC PAINTED METAL WALL COVERING. SEE PLANS AND INTERIOR ELEVATIONS FOR LOCATIONS & HEIGHTS.	SURFACE MOUNTED EMERGENCY LIGHT, SEE ELEC.
GWB PAINTED DRYWALL	POWER AND DATA OUTLETS, SEE ELEC.
PLY PAINTED PLYWOOD BACKING ON WALLS	SPEAKER, EXISTING RELOCATED
<b>WALL BASE TYPES:</b>	FE FIRE EXTINGUISHER, RECESSED
B1 VINYL WALL BASE	FE FIRE EXTINGUISHER, WALL MOUNTED
B2 VINYL WALL BASE	
B3 COVE BASE OF FLOORING MATERIAL	

<b>WASHROOM ACCESSORY LEGEND:</b>	<b>WASHROOM ACCESSORY NOTES:</b>
CT RECESSED BABY CHANGE TABLE	1. PROVIDE BLOCKING AS REQ'D FOR ALL WASHROOM ACCESSORIES
GB GRAB BARS (AS PER NBC)	2. REFER TO AND COORDINATE WITH ELECTRICAL & MECHANICAL DRAWINGS
GR GARBAGE RECEPTACLE (RECESSED)	
HD ELECTRIC HAND DRYER, SEE ELEC.	
MIR MIRROR	
ND SANITARY NAPKIN DISPOSAL	
PT PAPER TOWEL DISPENSER **	
SD SOAP DISPENSER **	
SN SANITARY NAPKIN DISPENSER **	
TP TOILET PAPER DISPENSER **	
** SUPPLIED BY OWNER, INSTALLED BY CONTRACTOR	
<b>WASHROOM MOUNTING HEIGHTS:</b>	

MATERIALS/HATCH LEGEND:	
<b>SHEET MATERIALS</b>	<b>CONCRETE/MASONRY</b>
	PRESSURE TREATED PLYWOOD
	CEMENT PANEL
	STRUCTURAL STEEL/METAL SHEATHING
	DOUBLE-GLAZED WINDOW UNIT
	FIBRE BOARD
	SHEATHING BOARD
	ROOF MEMBRANE
	AIR/VAPOUR BARRIER
	SELF ADHERED AIR/VAPOUR MEMBRANE
	BREATHER MEMBRANE
<b>INTERIOR MATERIALS</b>	<b>SURFACE FINISHES</b>
	GYPSUM BOARD
	ACOUSTIC CEILING TILE WITH 152mm SCORING
	VINYL COATED ACOUSTIC CEILING TILE
	TECTUM BOARD
	ACOUSTIC WOOD PANEL
	ACOUSTIC FABRIC PANEL
	RESILIENT CHANNELS
	TEMPERED GLASS
<b>INSULATION</b>	<b>WOOD DECKING</b>
	SEMI-RIGID INSULATION
	RIGID INSULATION
	BATT INSULATION
	SPRAY FOAM INSULATION
	TAPERED (SLOPED) FIBREBOARD INSULATION
<b>SEALANTS</b>	
	SEALANT WITH BACKER ROD
	BACKER ROD
	AIR SEAL C/W BACKER ROD
	OPAQUE FLEXIBLE SEALANT
	FLEXIBLE SEALANT
	CAULKING / SEALANT
	PAINTABLE CAULKING
	FIRE STOPPING SEALANT
	COMPRESSIVE JOINT FILLER
	FIRE STOPPING
	SPRAY APPLIED MINERAL FIBRE FIRE PROTECTION
<b>SOLID WOOD</b>	
	SOLID HARDWOOD
	CONTINUOUS WOOD BLOCKING/STUD/JOIST
	INTERMITTENT WOOD BLOCKING/STUD/JOIST

## PHASE 1: KCR HALL

### DRAWING LIST:

<b>ARCHITECTURAL:</b>	<b>ELECTRICAL:</b>
A1.0.0 COVER SHEET & DRAWING LIST	E101 LEGEND
A1.1.0 OVERALL DEMOLITION PLAN	E102 LIGHTING DEMOLITION LEVEL 2
A1.1.1 RESERVED	E103 POWER DEMOLITION LEVEL 2
A1.1.2 RESERVED	E104 SYSTEMS DEMOLITION LEVEL 2
A1.1.3 RESERVED	E105 POWER AND SYSTEMS DEMOLITION MEZZANINE
A1.2.0 OVERALL FLOOR PLANS	E106 LIGHTING LEVEL 2
A1.2.1 KENNETH C ROWE HALL AND KITCHEN FLOOR PLAN	E107 LIGHTING MEZZANINE
A1.2.2 ENLARGED FLOOR PLANS & RCP	E108 POWER LEVEL 1
A1.2.3 ENLARGED FLOOR ROOF PLAN	E109 POWER LEVEL 2
A1.3.0 OVERALL RCP	E110 POWER MEZZANINE
A1.3.1 ENLARGED RCP	E111 POWER ROOF
A1.3.2 LIGHTING GRID	E112 POWER DEMOLITION & POWER ANNEX
A1.4.0 INTERIOR ELEVATIONS - KENNETH C ROWE HALL	E113 SYSTEMS LEVEL 1
A1.4.1 INTERIOR ELEVATIONS - NEW WELCOME PAVILION	E114 SYSTEMS LEVEL 2
A1.4.2 INTERIOR ELEVATIONS - STAGE	E115 SYSTEMS MEZZANINE
A1.4.3 INTERIOR ELEVATIONS - KITCHEN	E116 SYSTEMS LEVEL 2 ANNEX
A1.4.4 INTERIOR ELEVATIONS - WCS & GREEN ROOM	E601 SINGLE LINE DISTRIBUTION
A1.4.5 INTERIOR ELEVATIONS	E602 FIRE ALARM, SECURITY AND CCTV RISERS
A1.5.0 BUILDING SECTIONS	E603 MCC LAYOUT AND CONTROL SCHEMATICS
A1.5.1 BUILDING SECTIONS	E604 LUMINAIRE SCHEDULE AND LIGHTING DETAILS
A1.6.0 STAIRS - MECHANICAL & GREEN ROOM	E605 AUDIOVISUAL RISER
A1.6.1 STAIRS - STAGE & RAMP	<b>MECHANICAL:</b>
A1.7.0 DETAILS	P101 DOMESTIC WATER DEMOLITION - LEVEL 2
A1.7.1 DETAILS	P102 DOMESTIC WATER LEVEL 2 AND MEZZANINE
A1.8.0 MILLWORK	P103 SANITARY DEMOLITION LEVEL 2
A1.9.0 DOOR SCHEDULE	P104 SANITARY LAYOUT LEVEL 2
<b>STRUCTURAL:</b>	P501 PLUMBING SECTIONS, DETAILS AND SCHEDULES
S-1 NEW STAIR OPENING THROUGH EXISTING MEZZANINE	H101 HEATING DEMOLITION LEVEL 2
S-2 PARTIAL ROOF FRAMING PLAN	H102 HEATING LAYOUT LEVEL 2
S-3 SECTIONS AND DETAILS	H103 HEATING LAYOUT MEZZANINE
S-4 NEW FLOOR OPENINGS THROUGH EXISTING MEZZANINE	H104 HEATING RENOVATIONS ANNEX PENTHOUSE
<b>KITCHEN EQUIPMENT:</b>	H105 HEATING AND EQUIPMENT LAYOUT - ROOF
KE-0 KITCHEN EQUIPMENT LAYOUT & SCHEDULE (ISSUED FOR INFORMATION ONLY)	H501 HEATING DETAILS
	H502 HEATING SCHEDULES & DETAILS
	V101 VENTILATION DEMOLITION LEVEL 2 AND MEZZANINE
	V102 VENTILATION LAYOUT LEVEL 2
	V103 VENTILATION LAYOUT MEZZANINE
	V104 VENTILATION SECTIONS
	V501 VENTILATION DETAILS
	V502 VENTILATION SCHEDULES
	F101 SPRINKLER RENOVATIONS LEVEL 1
	F102 SPRINKLER RENOVATIONS LEVEL 2 - DEMOLITION
	F103 SPRINKLER RENOVATIONS LEVEL 2
	F104 SPRINKLER RENOVATIONS MEZZANINE - DEMOLITION
	F105 SPRINKLER RENOVATIONS - MEZZANINE
	F501 SPRINKLER DETAILS
	F502 SPRINKLER DETAILS
	C501 CONTROLS SCHEMATICS
	C502 CONTROLS SCHEMATICS
	C503 CONTROLS SCHEMATICS



Luc Bouliane Architect Inc + David J Agro Architect Inc  
1259 Dundas Street West, Toronto, M6J 1X6 Tel: 416 300 0656

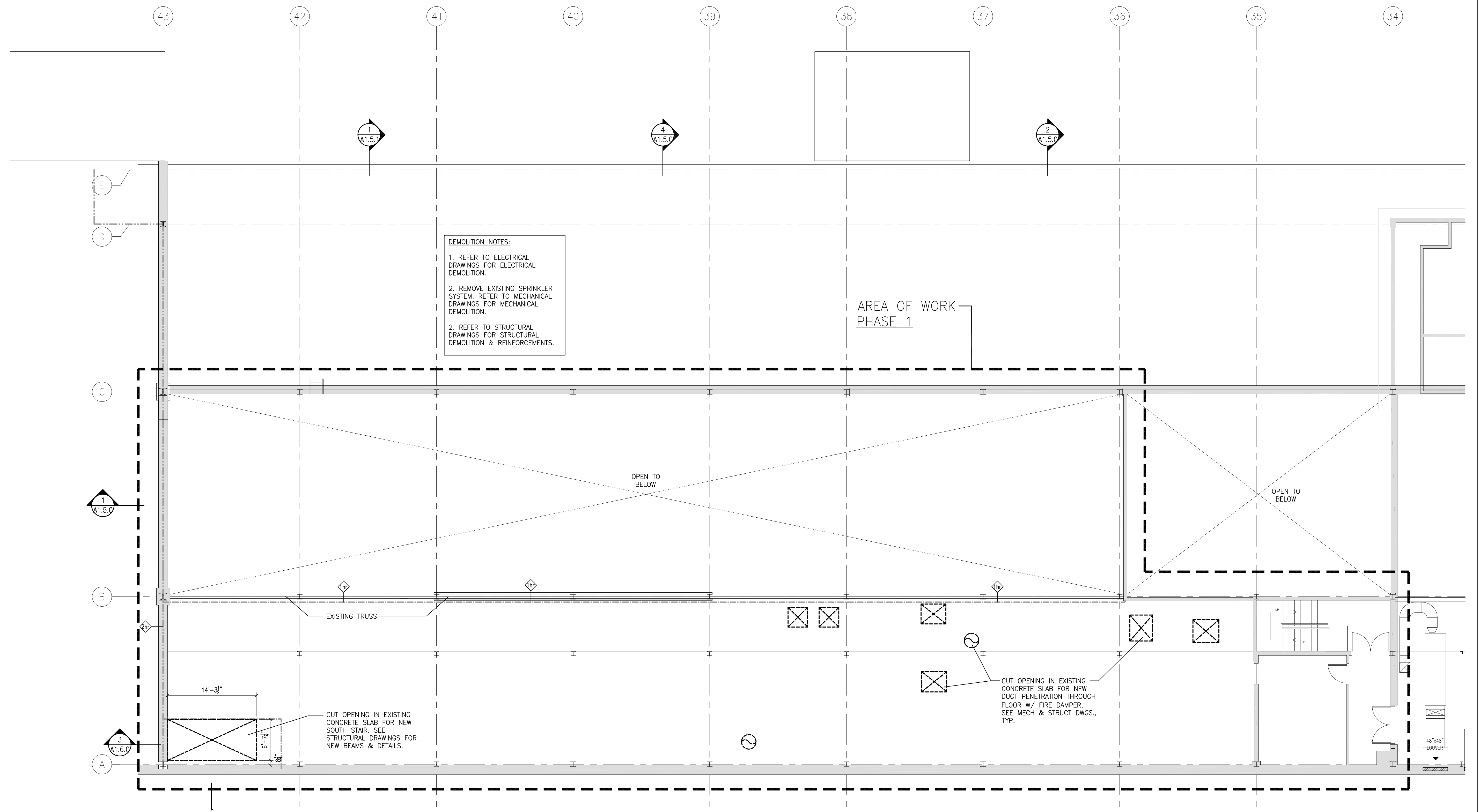
CANADIAN MUSEUM OF IMMIGRATION AT PEIR 21

project no: 13-005  
scale: N.T.S.  
drawn by: LB / GJA  
reviewed by: LB / GJA  
date: 2/14/11

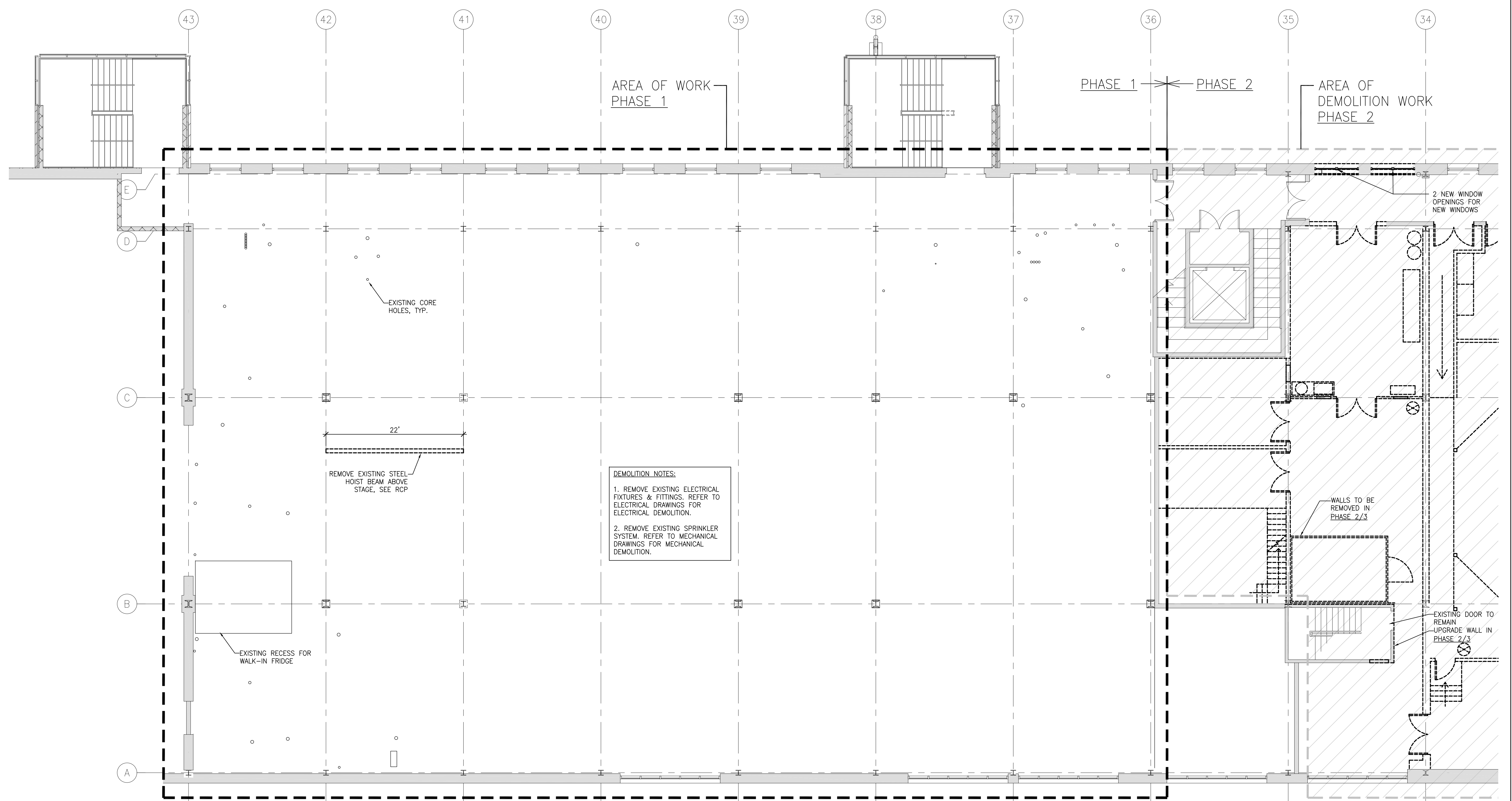
COVER SHEET & DRAWING LIST

A1.0.0





2 MECH SERVICE SPACE DEMOLITION PLAN  
A1.19



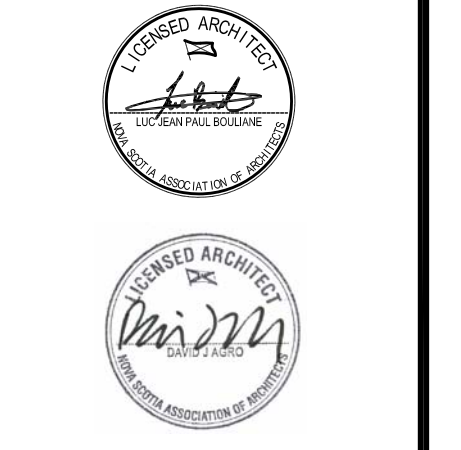
1 OVERALL FLOOR DEMOLITION PLAN  
A1.19

SYMBOL LEGEND	
	EXISTING WALL
	ITEM TO BE DEMOLISHED

NORTH

IMPERIAL SCALE DRAWING  
FIRST FLOOR ELEV. 00.00m

1 ISSUED FOR REVIEW 15 JAN 2014  
2 ISSUED FOR REVIEW 30 JAN 2014  
3 ISSUED FOR SCHEMATIC 05 FEB 2014  
4 ISSUED FOR DESIGN 11 APR 2014  
5 ISSUED FOR TENDER 13 JUNE 2014  
6 ISSUED FOR TENDER 11 JULY 2014



Luc Bouliane Architect Inc + David J Agro Architect Inc  
1259 Dundas Street West, Toronto, M6J 1X6 Tel: 416 300 0656

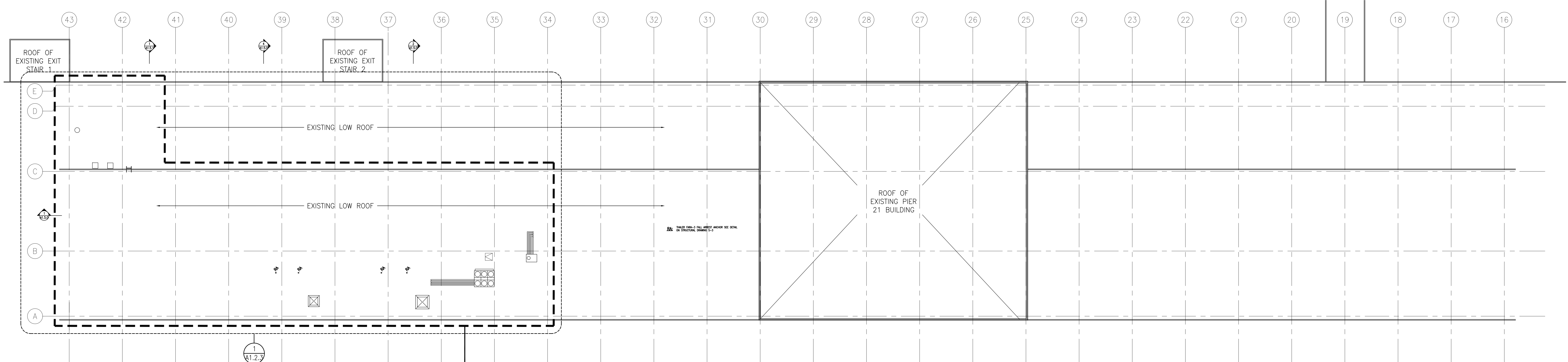
CANADIAN MUSEUM OF IMMIGRATION AT PEIR 21

project no: 13-005  
scale: 1/8" = 1'  
drawn by: LB / DJA  
reviewed by:  
date: 28/04/11

OVERALL DEMOLITION PLANS

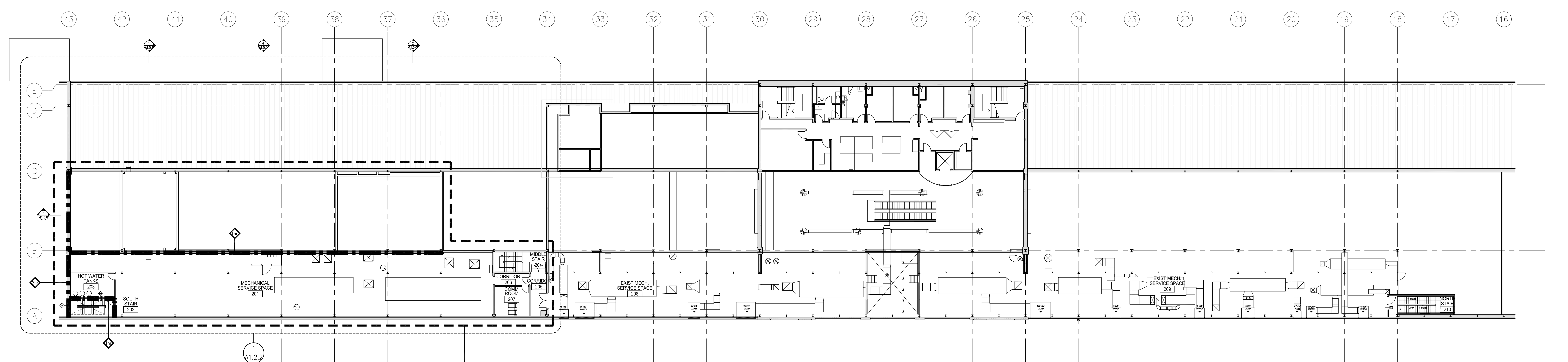
A1.1.0





AREA OF WORK PHASE 1

3 ROOF PLAN  
A1.2.0 IMP+T

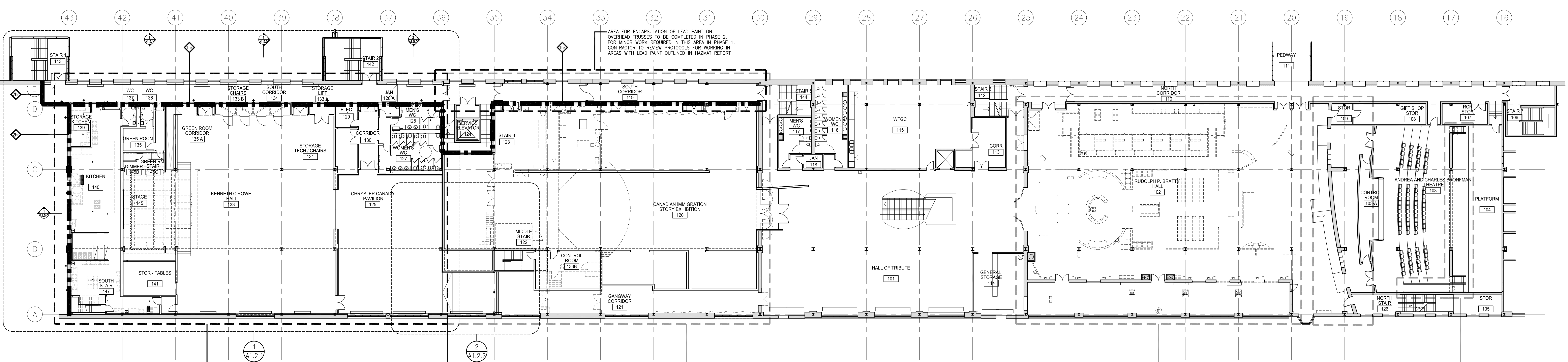


AREA OF WORK PHASE 1

LEGEND: FIRE RESISTANCE RATINGS

	1 HOUR FIRE RESISTANCE RATING
	2 HOUR FIRE RESISTANCE RATING

2 MECHANICAL SERVICE SPACE PLAN  
A1.2.0 IMP+T



AREA OF WORK PHASE 1

PHASE 1 PHASE 2/3

AREA OF WORK PHASE 2/3

AREA OF WORK PHASE 2/3

AREA OF WORK PHASE 2/3

1 OVERALL FLOOR PLAN  
A1.2.0 IMP+T

IMPERIAL SCALE DRAWING  
FIRST FLOOR ELEV. 00.00m

- 1 ISSUED FOR REVIEW 04 DEC 2013
- 2 ISSUED FOR REVIEW 05 DEC 2013
- 3 ISSUED FOR REVIEW 09 DEC 2013
- 4 ISSUED FOR REVIEW 17 DEC 2013
- 5 ISSUED FOR REVIEW 15 JAN 2014
- 6 ISSUED FOR REVIEW 05 FEB 2014
- 7 ISSUED FOR REVIEW 11 APR 2014
- 8 ISSUED FOR REVIEW 13 JUNE 2014
- 9 ISSUED FOR REVIEW 11 JULY 2014



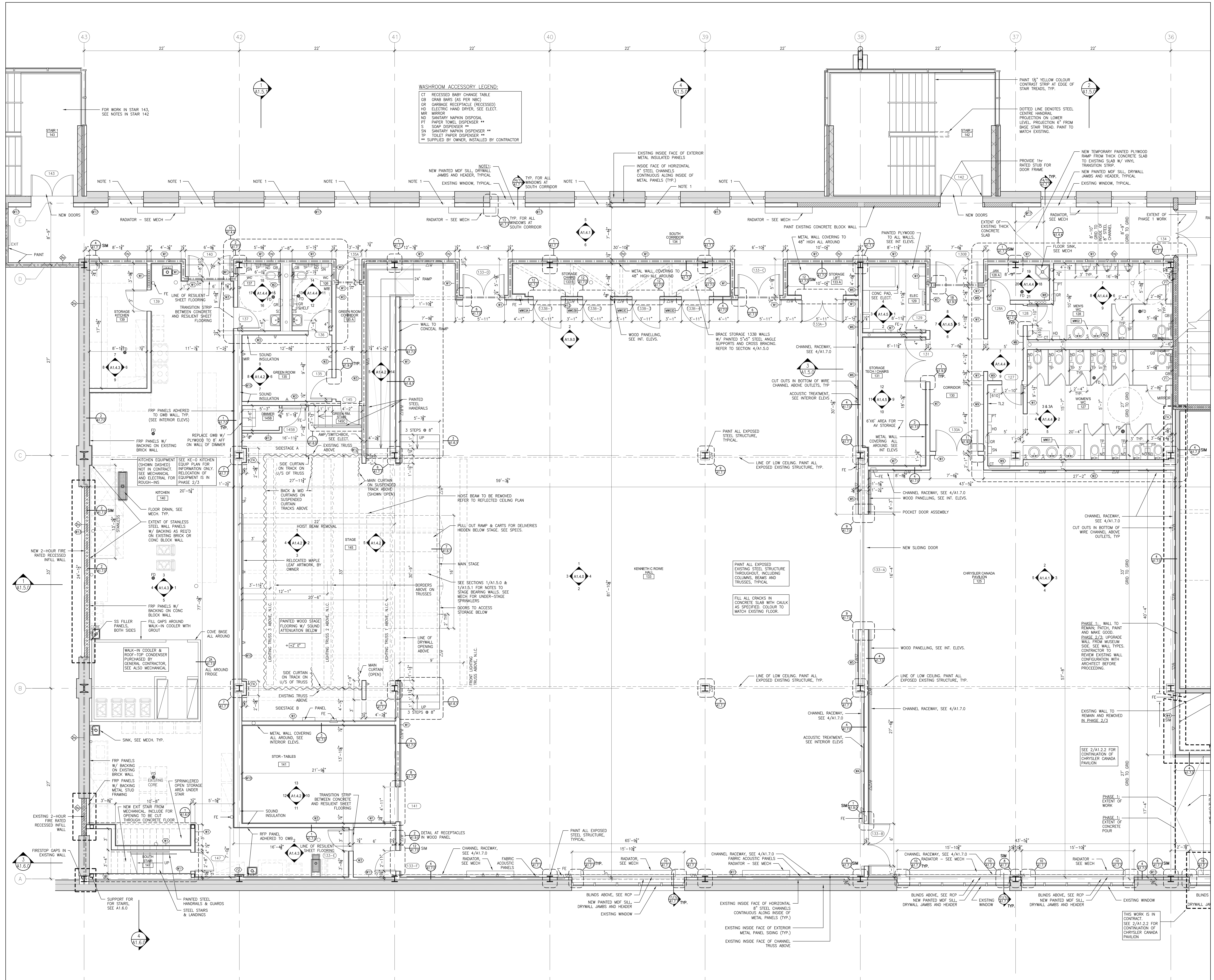
Luc Bouliane Architect Inc + David J Agro Architect Inc  
1259 Dundas Street West, Toronto, M6J 1X6 Tel: 416 300 0656

CANADIAN MUSEUM OF IMMIGRATION AT PEIR 21

project no: 13-005  
scale: 1/8" = 1'  
drawn by: LB / QUA  
reviewed by: 29/04/11  
date:

OVERALL FLOOR PLAN  
A1.2.0





**WASHROOM ACCESSORY LEGEND:**

- CT RECESSED BABY CHANGE TABLE
- GB GRAB BARS (AS PER NBC)
- GR GARBAGE RECEPTACLE (RECESSED)
- HD ELECTRIC HAND DRYER, SEE ELECT.
- MIR MIRROR
- ND SANITARY NAPKIN DISPOSAL
- PT PAPER TOWEL DISPENSER \*\*
- S SOAP DISPENSER \*\*
- SN SANITARY NAPKIN DISPENSER \*\*
- TP TOILET PAPER DISPENSER \*\*
- \*\* SUPPLIED BY OWNER, INSTALLED BY CONTRACTOR

**IMPERIAL SCALE DRAWING**  
FIRST FLOOR ELEV. 00.00m

- 1 ISSUED FOR REVIEW 04 DEC 2013
- 2 ISSUED FOR REVIEW 05 DEC 2013
- 3 ISSUED FOR REVIEW 09 DEC 2013
- 4 ISSUED FOR REVIEW 17 DEC 2013
- 5 ISSUED FOR REVIEW 15 JAN 2014
- 6 ISSUED FOR REVIEW 05 FEB 2014
- 7 ISSUED FOR REVIEW 11 APR 2014
- 8 ISSUED FOR REVIEW 13 JUN 2014
- 9 ISSUED FOR REVIEW 11 JULY 2014



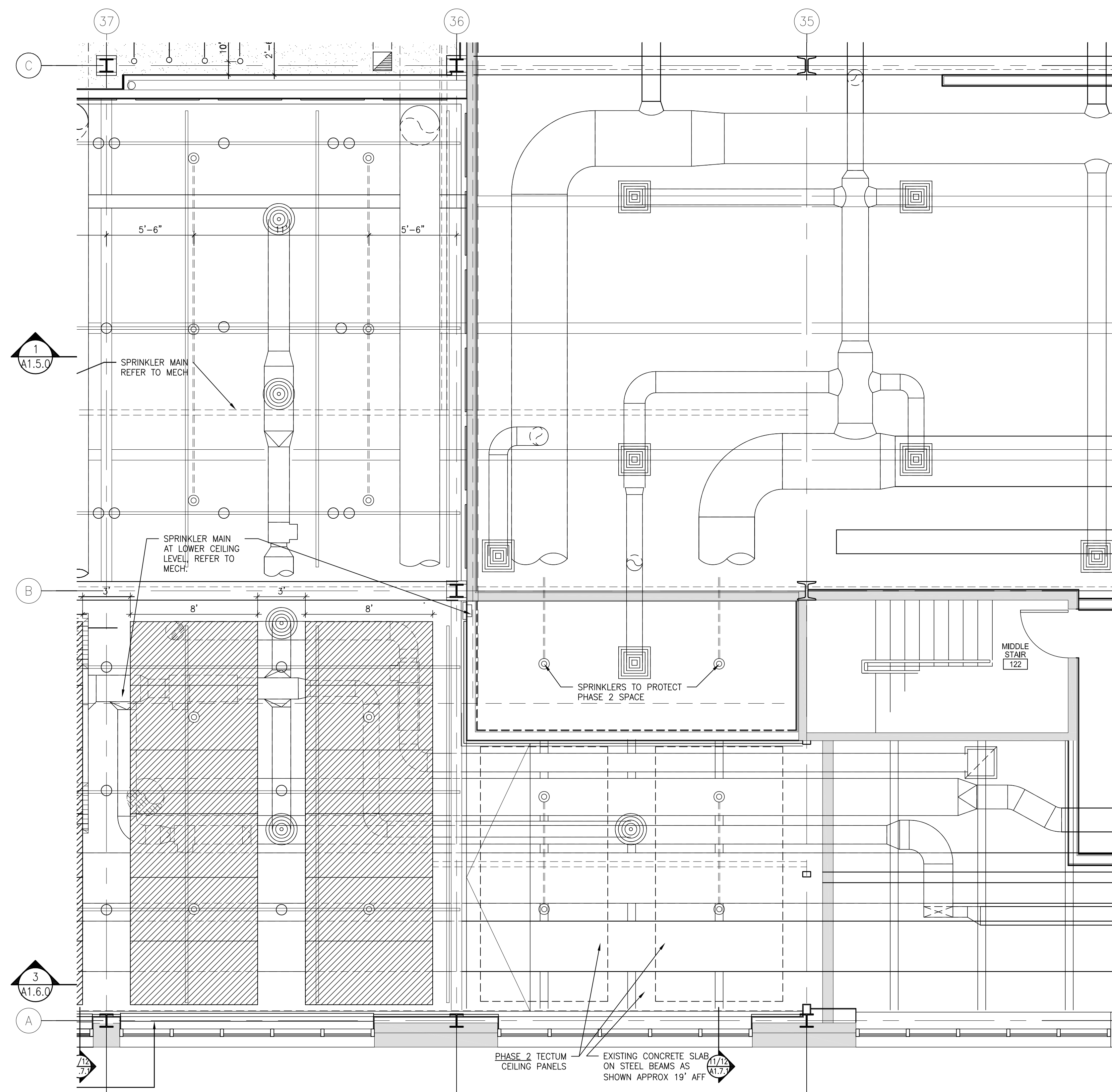
**Luc Bouliane Architect Inc + David J. Agro Architect Inc**  
1259 Dundas Street West, Toronto, M6J 1X6 Tel: 416 300 0656

**CANADIAN MUSEUM OF IMMIGRATION AT PEIR 21**

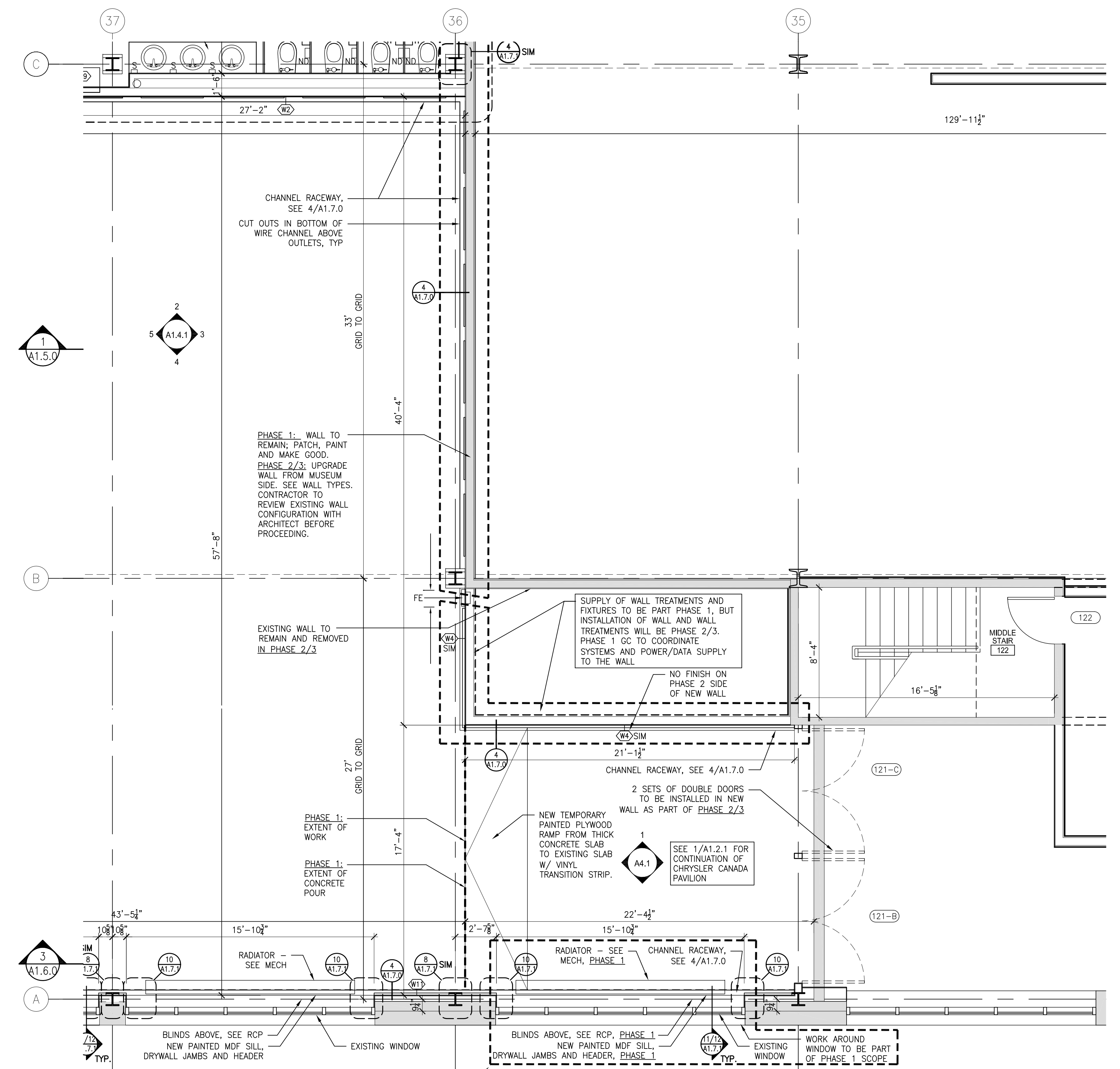
project no: 13-006  
scale: 1/4" = 1'-0"  
drawn by: LB / DJA  
reviewed by: LB / DJA  
date: 28/04/11

KENNETH C. ROWE HALL AND KITCHEN FLOOR PLAN  
**A1.2.1**

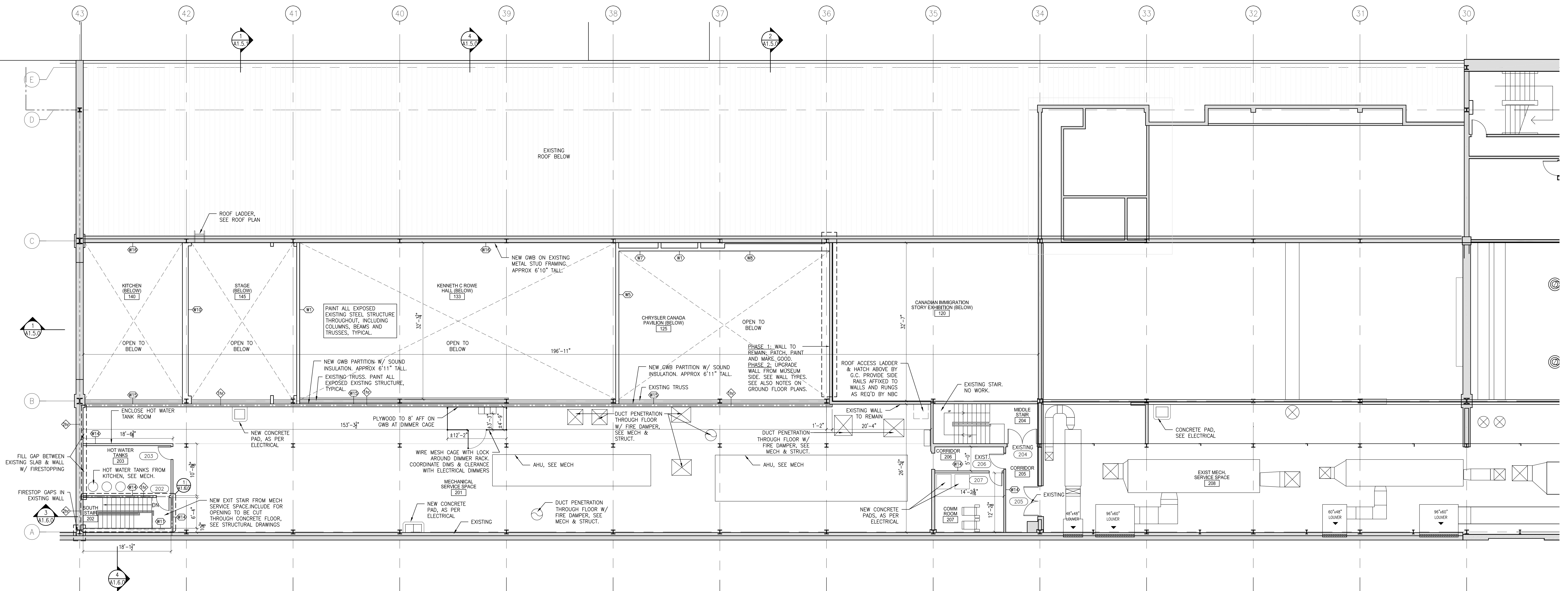




3 CHRYSLER CANADA PAVILION - PARTIAL RCP  
1/8" = 1'



2 CHRYSLER CANADA PAVILION - PARTIAL PLAN  
1/8" = 1'



1 MECHANICAL SERVICE SPACE FLOOR PLAN  
1/8" = 1'

IMPERIAL SCALE DRAWING  
FIRST FLOOR ELEV. 00.00m

1 ISSUED FOR REVIEW 15 JAN 2014  
2 ISSUED FOR CONSTRUCTION 05 FEB 2014  
3 ISSUED FOR CONSTRUCTION 13 APR 2014  
4 ISSUED FOR TENDER 13 JUNE 2014  
5 REVISED FOR TENDER 11 JULY 2014



Luc Bouliane Architect Inc + David J Agro Architect Inc  
1259 Dundas Street West, Toronto, M6J 1X6 Tel: 416 300 0656

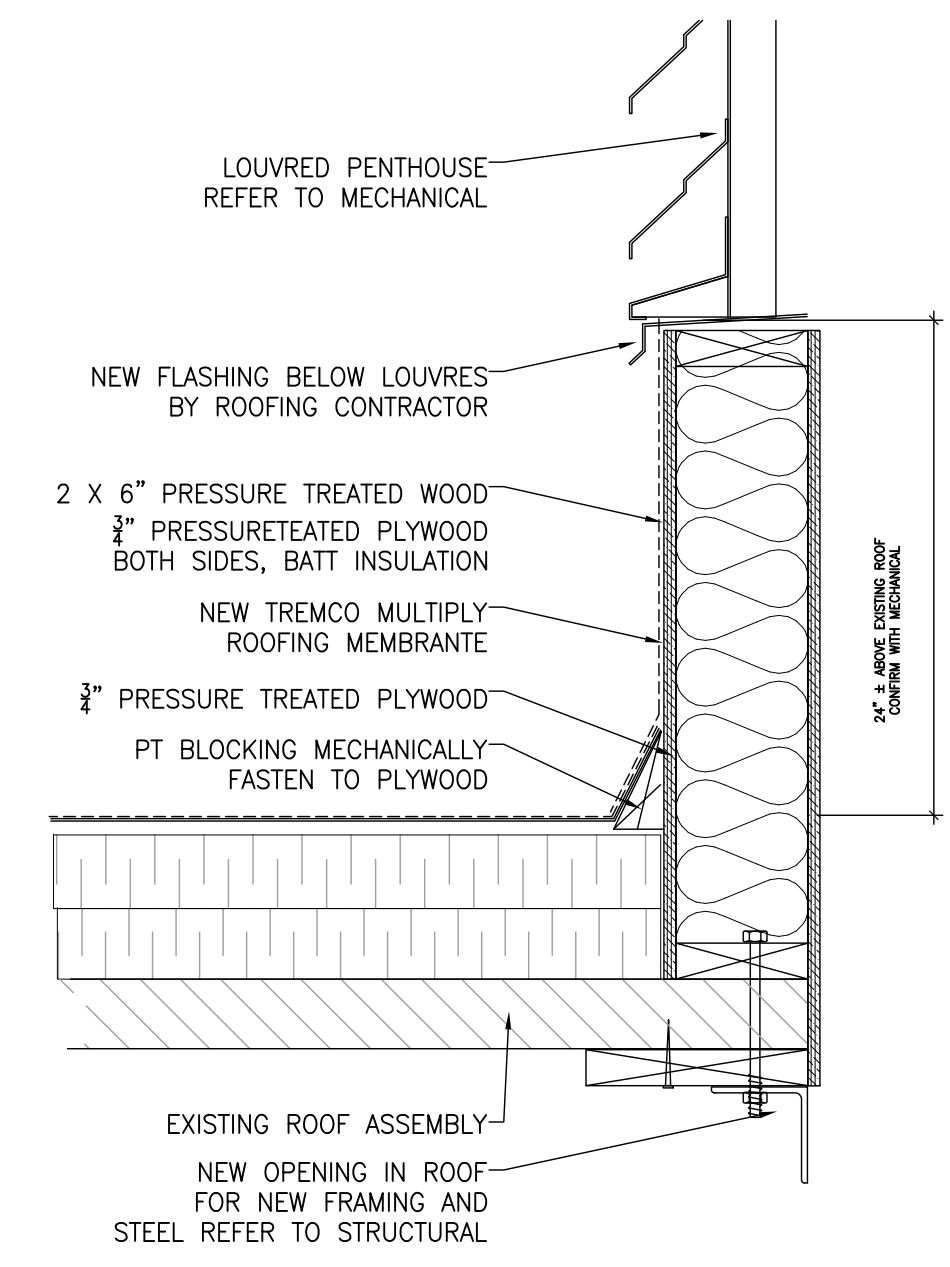
CANADIAN MUSEUM OF IMMIGRATION AT PEIR 21

project no: 13-005  
scale: 1/8" = 1'  
drawn by: LB / DJA  
date: 29/04/11

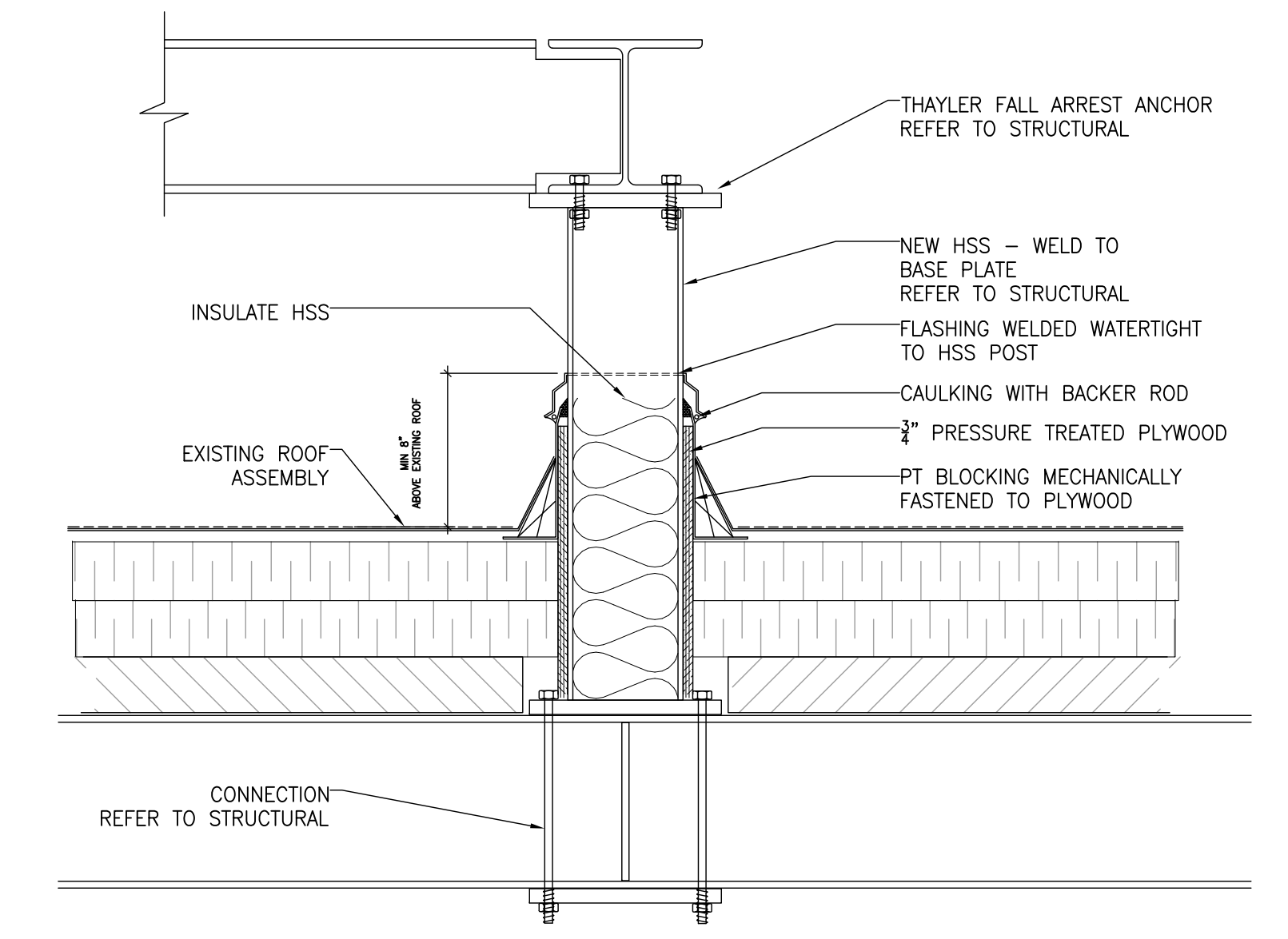
ENLARGED FLOOR PLANS & RCP

A1.2.2

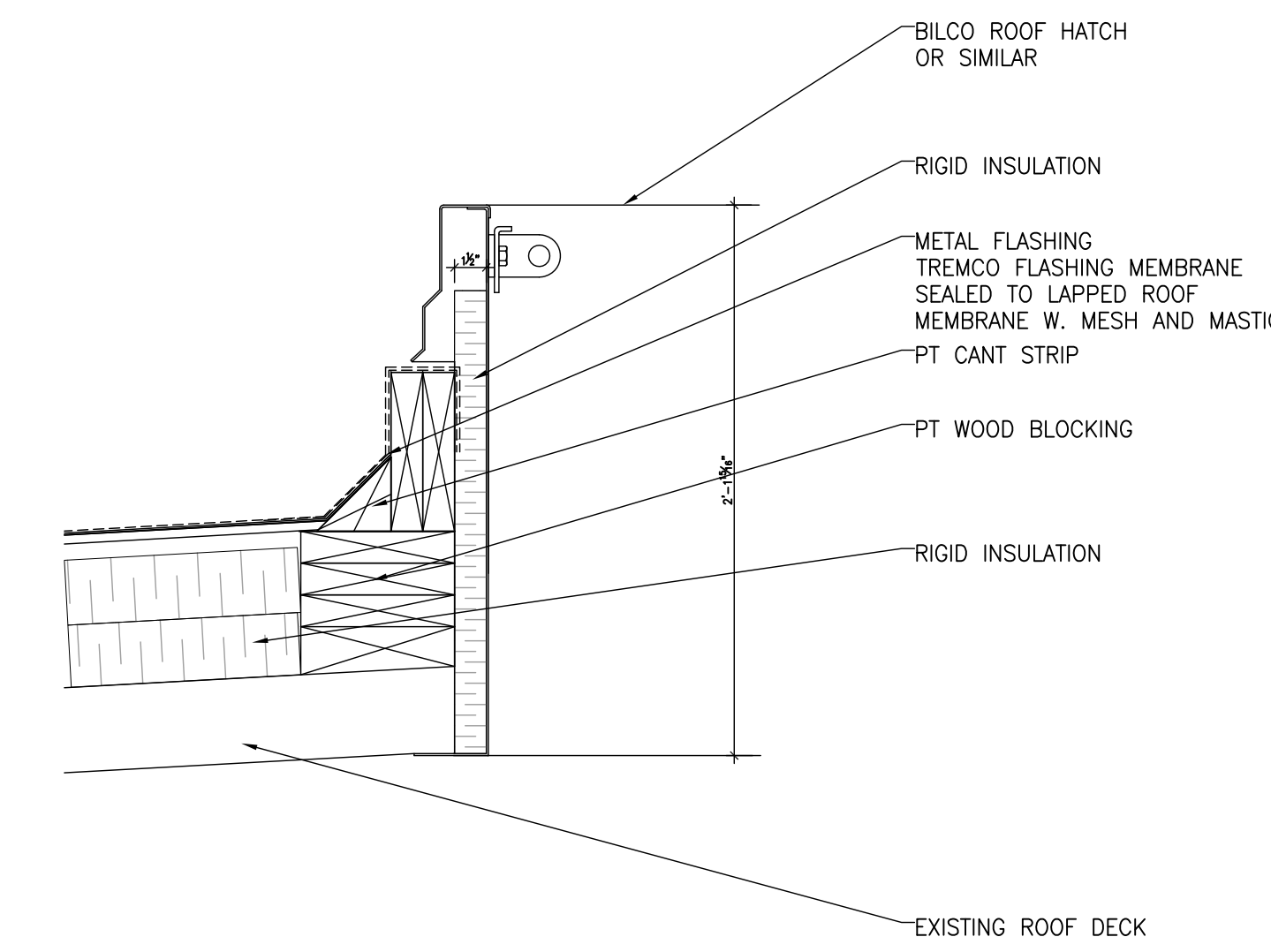




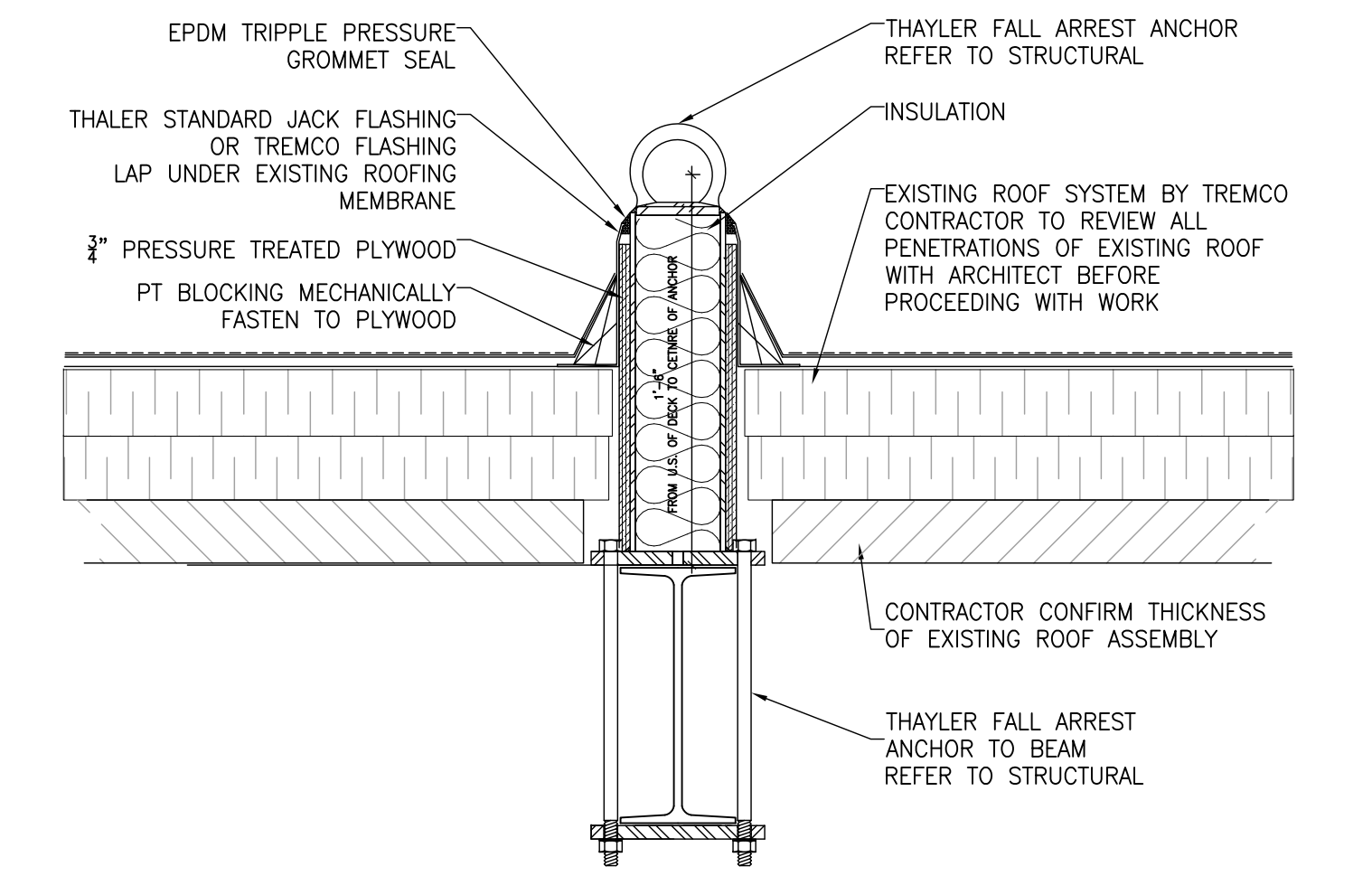
5 SECTION DETAIL OF MECHANICAL LOUVRE  
A1.2.3 1/8" = 1'



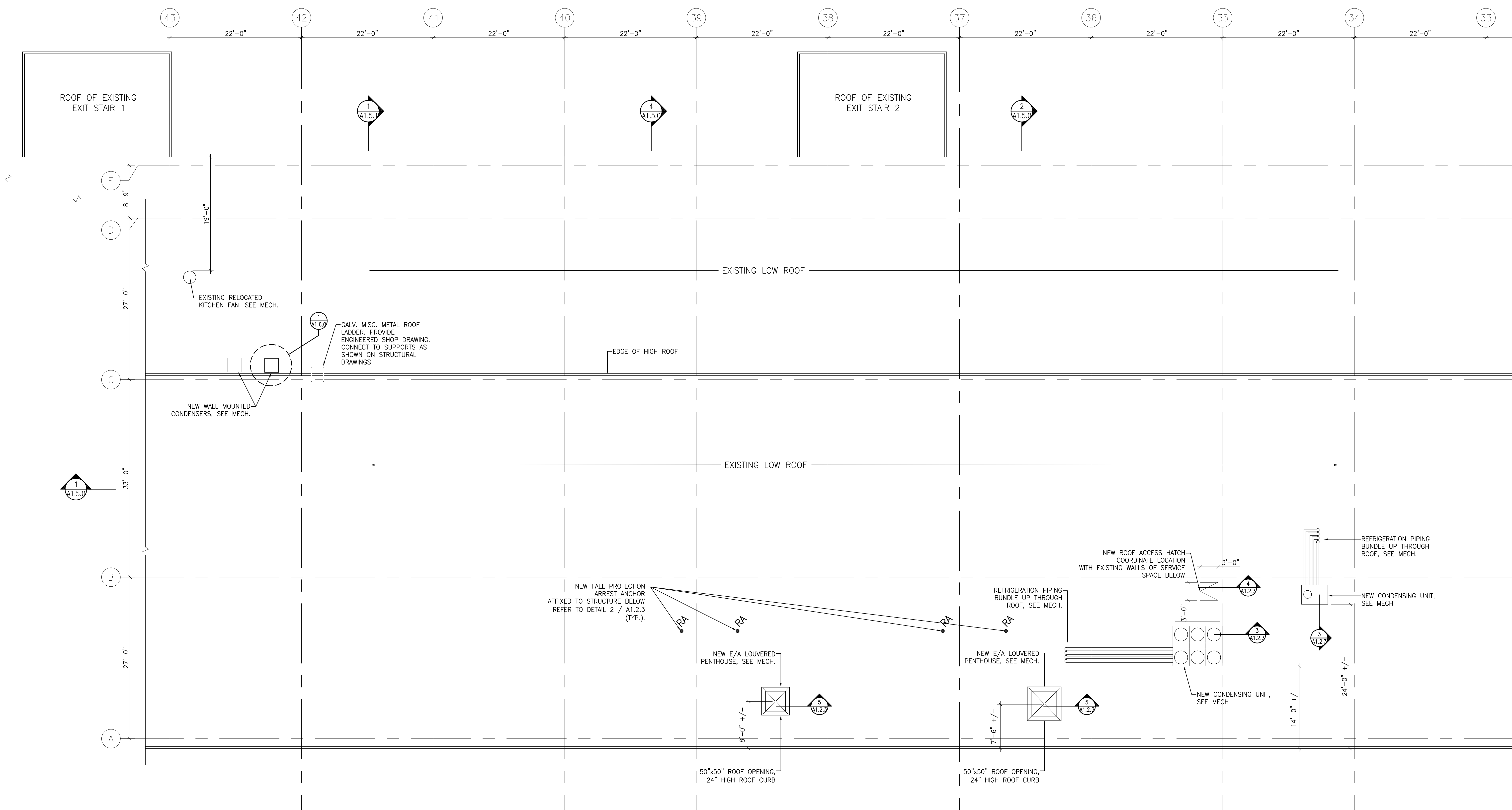
3 MECHANICAL UNIT SUPPORT  
A1.2.3 1/8" = 1'



4 DETAIL AT ROOF HATCH  
A1.2.3 1/8" = 1'

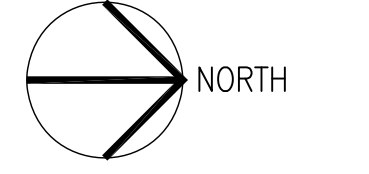


2 DETAIL AT FALL PROTECTION ANCHOR  
A1.2.3 1/8" = 1'



1 ROOF PLAN  
A1.2.3 1/8" = 1'

**GENERAL NOTES:**  
 EXISTING ROOF SYSTEM BY TREMCO - REFER TO INFORMATION PROVIDED IN SPECIFICATION  
 CONTRACTOR TO REVIEW ALL PENETRATIONS OF EXISTING ROOF WITH ARCHITECT AND HALIFAX PORT AUTHORITY (HPA) BEFORE PROCEEDING WITH WORK.  
 FOR ROOF PENETRATION DETAILS OF ANNEX REFER TO DETAILS FOR ROOF AT PIER 21  
 HPA REQUIRES A FIRE WATCH WHILE WELDING AND FOR 24 HOURS AFTERWARDS.



IMPERIAL SCALE DRAWING  
 FIRST FLOOR ELEV. 00.00m

1 ISSUED FOR TENDER 13 JUNE 2014  
 2 ISSUED FOR TENDER 11 JULY 2014



Luc Bouliane Architect Inc + David J Agro Architect Inc  
 1259 Dundas Street West, Toronto, M6J 1X6 Tel: 416 300 0656

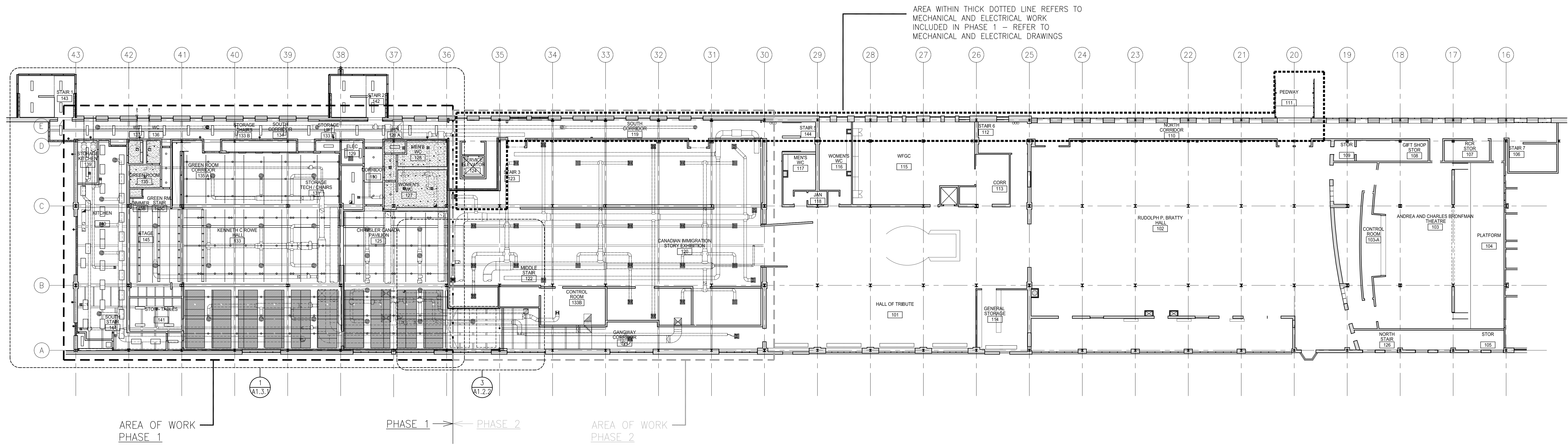
CANADIAN MUSEUM OF IMMIGRATION AT PEIR 21

project no: 13-005  
 scale: 1/8" = 1'  
 drawn by: LB / QUA  
 reviewed by: 20/04/11  
 date:

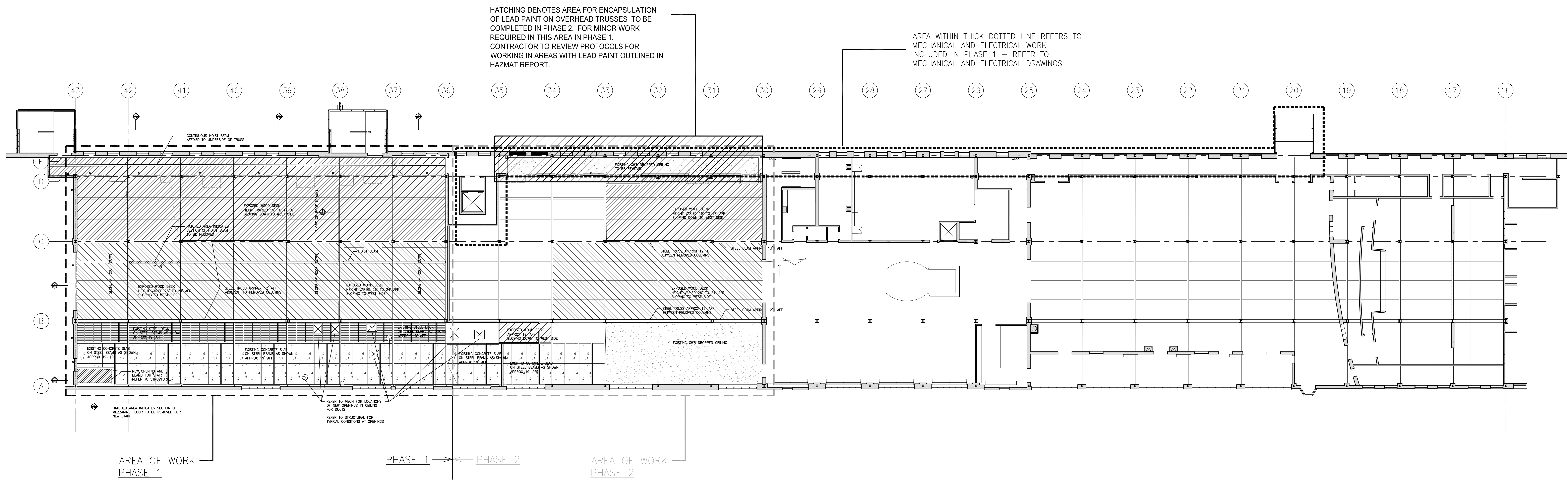
ENLARGED ROOF PLAN

A1.2.3





2 OVERALL PROPOSED RCP  
A1.3.0



1 OVERALL EXISTING RCP  
A1.3.0

IMPERIAL SCALE DRAWING  
FIRST FLOOR ELEV. 00.00m

1	ISSUED FOR REVIEW	17 DEC 2013
2	ISSUED FOR REVIEW	15 JAN 2014
3	ISSUED FOR REVIEW	05 FEB 2014
4	ISSUED FOR REVIEW	11 APR 2014
5	ISSUED FOR REVIEW	13 JUN 2014
6	ISSUED FOR REVIEW	11 JULY 2014



Luc Bouliane Architect Inc + David J Agro Architect Inc  
1259 Dundas Street West, Toronto, M6J 1X6 Tel: 416 300 0656

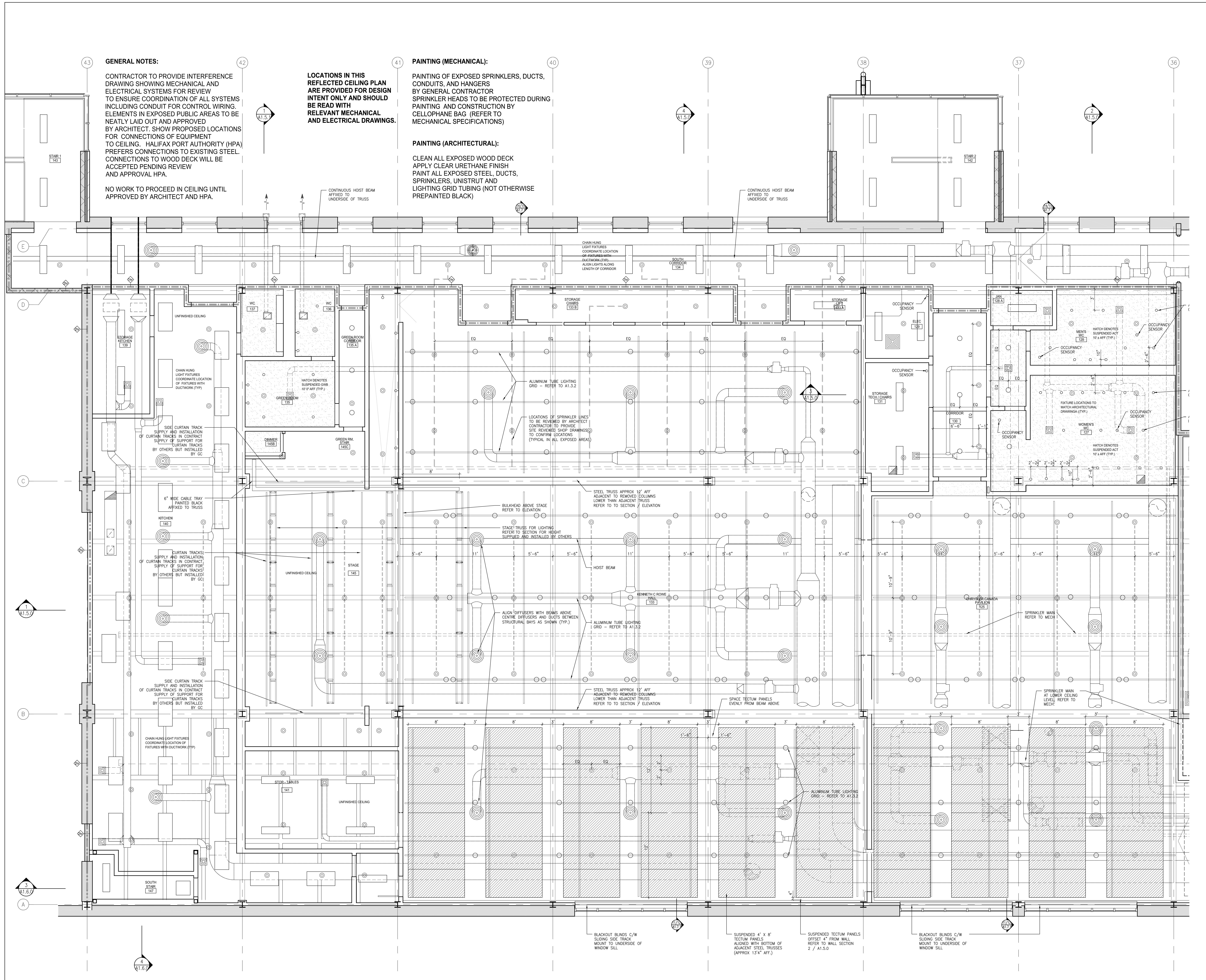
CANADIAN MUSEUM OF IMMIGRATION AT PEIR 21

project no: 13-005  
scale: 1/8" = 1'  
drawn by: LB / DUA  
reviewed by: LB / DUA  
date: 28/04/11

OVERALL RCP

A1.3.0





**GENERAL NOTES:**

CONTRACTOR TO PROVIDE INTERFERENCE DRAWING SHOWING MECHANICAL AND ELECTRICAL SYSTEMS FOR REVIEW TO ENSURE COORDINATION OF ALL SYSTEMS INCLUDING CONDUIT FOR CONTROL WIRING. ELEMENTS IN EXPOSED PUBLIC AREAS TO BE NEATLY LAID OUT AND APPROVED BY ARCHITECT. SHOW PROPOSED LOCATIONS FOR CONNECTIONS OF EQUIPMENT TO CEILING. HALIFAX PORT AUTHORITY (HPA) PREFERRED CONNECTIONS TO EXISTING STEEL CONNECTIONS TO WOOD DECK WILL BE ACCEPTED PENDING REVIEW AND APPROVAL HPA.

NO WORK TO PROCEED IN CEILING UNTIL APPROVED BY ARCHITECT AND HPA.

LOCATIONS IN THIS REFLECTED CEILING PLAN ARE PROVIDED FOR DESIGN INTENT ONLY AND SHOULD BE READ WITH RELEVANT MECHANICAL AND ELECTRICAL DRAWINGS.

**PAINTING (MECHANICAL):**

PAINTING OF EXPOSED SPRINKLERS, DUCTS, CONDUITS, AND HANGERS BY GENERAL CONTRACTOR. SPRINKLER HEADS TO BE PROTECTED DURING PAINTING AND CONSTRUCTION BY CELLOPHANE BAG (REFER TO MECHANICAL SPECIFICATIONS).

**PAINTING (ARCHITECTURAL):**

CLEAN ALL EXPOSED WOOD DECK. APPLY CLEAR URETHANE FINISH. PAINT ALL EXPOSED STEEL, DUCTS, SPRINKLERS, UNISTRUT AND LIGHTING GRID TUBING (NOT OTHERWISE PREPAINTED BLACK).

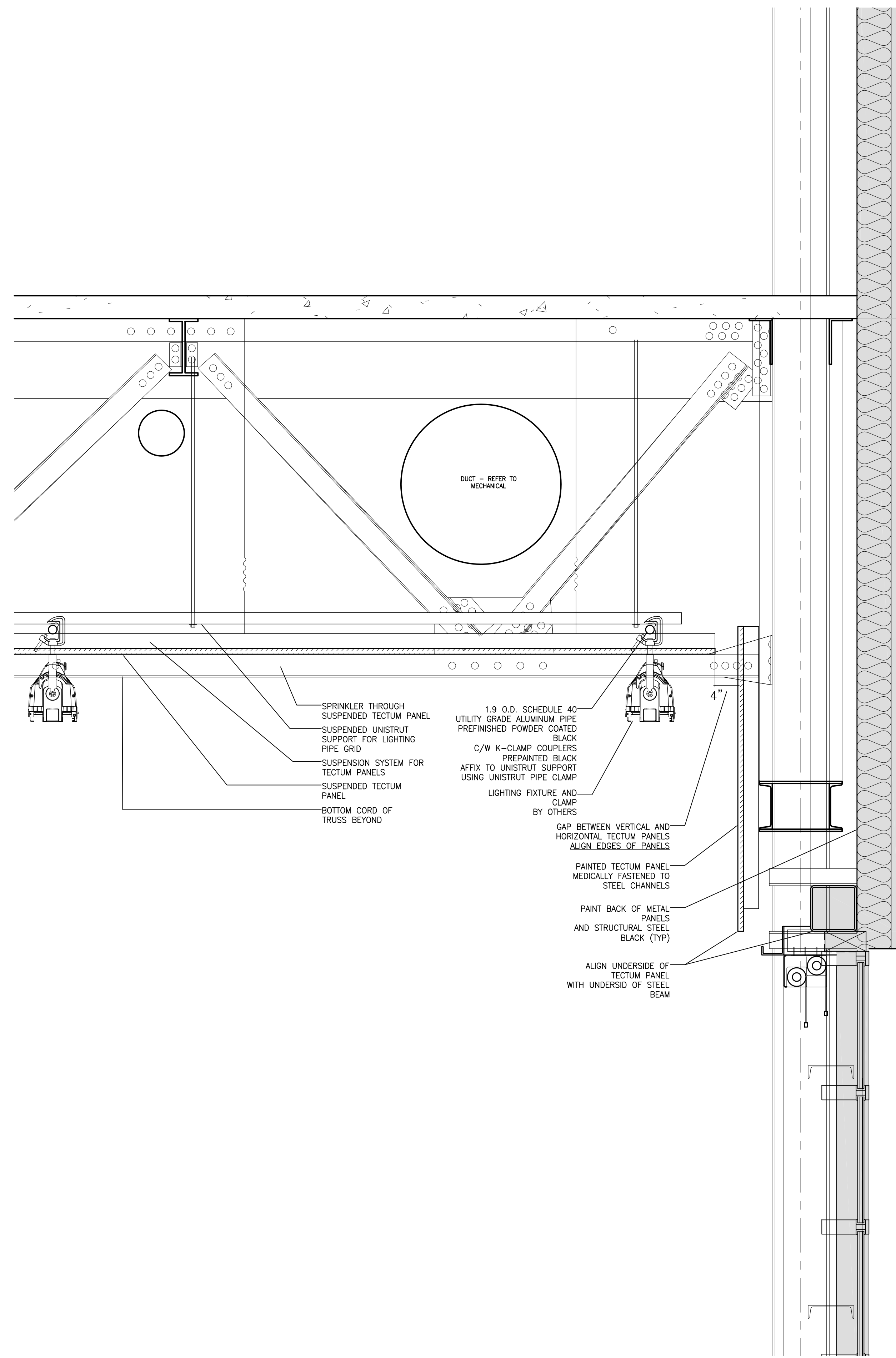
IMPERIAL SCALING DRAWING  
FIRST FLOOR ELEV. 00.00m

1	ISSUED FOR REVIEW	17 DEC 2013
2	ISSUED FOR REVIEW	15 JAN 2014
3	ISSUED FOR REVIEW	05 FEB 2014
4	ISSUED FOR REVIEW	11 APR 2014
5	ISSUED FOR REVIEW	13 JUN 2014
6	ISSUED FOR REVIEW	11 JULY 2014

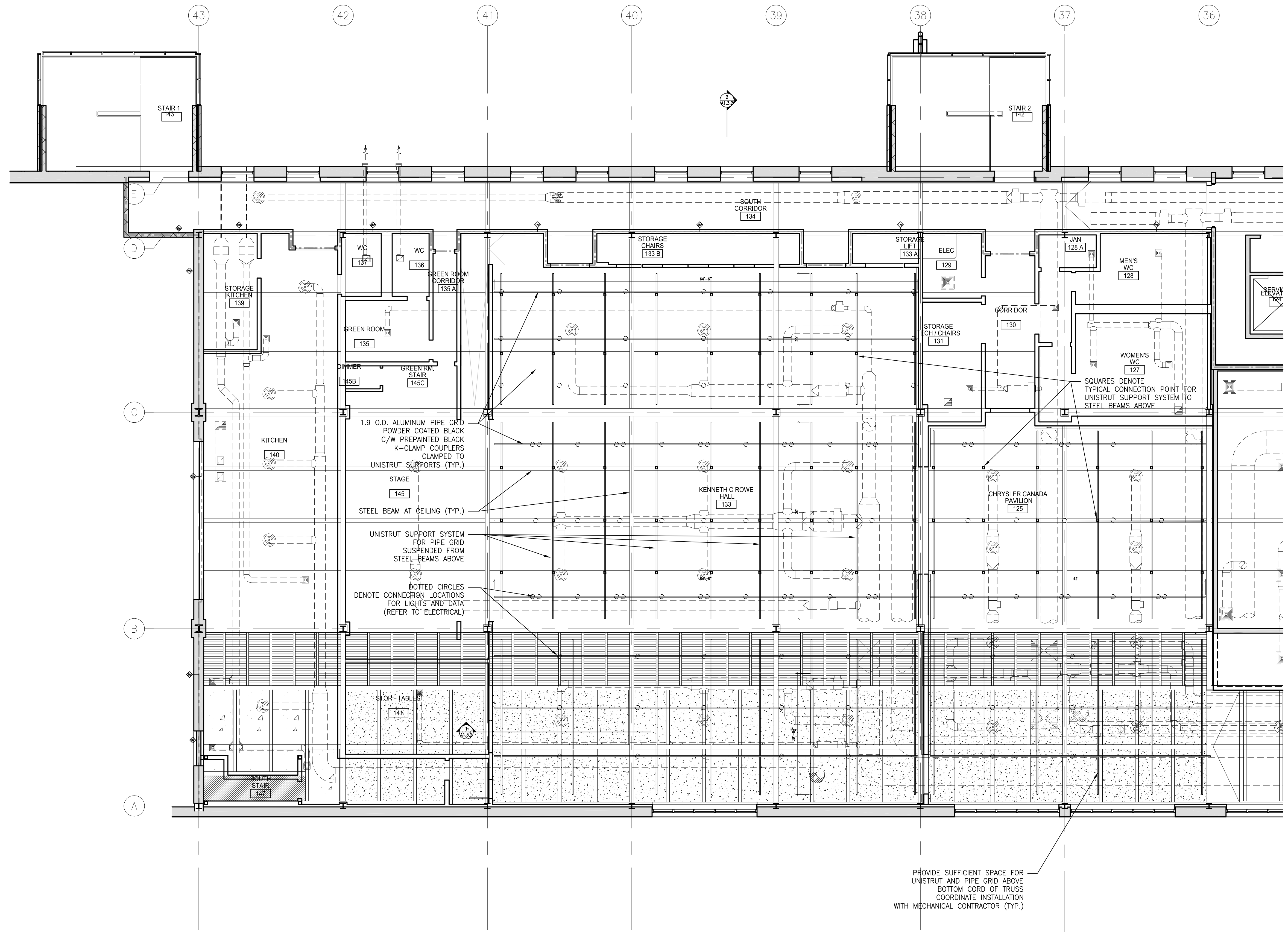


project no: 13-005  
scale: 1/16" = 1'  
drawn by: LB / QUA  
reviewed by: 28/KA/11  
date:

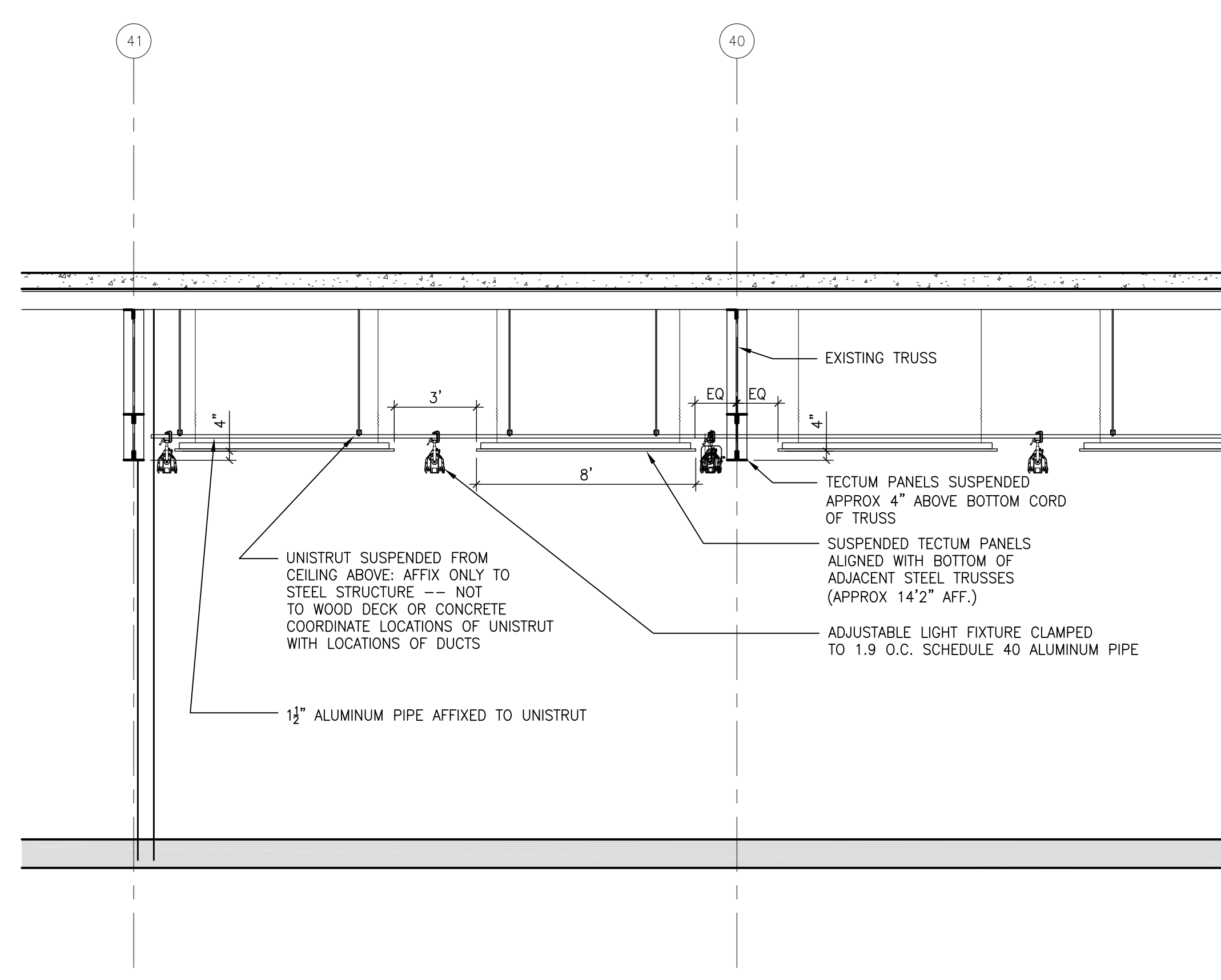




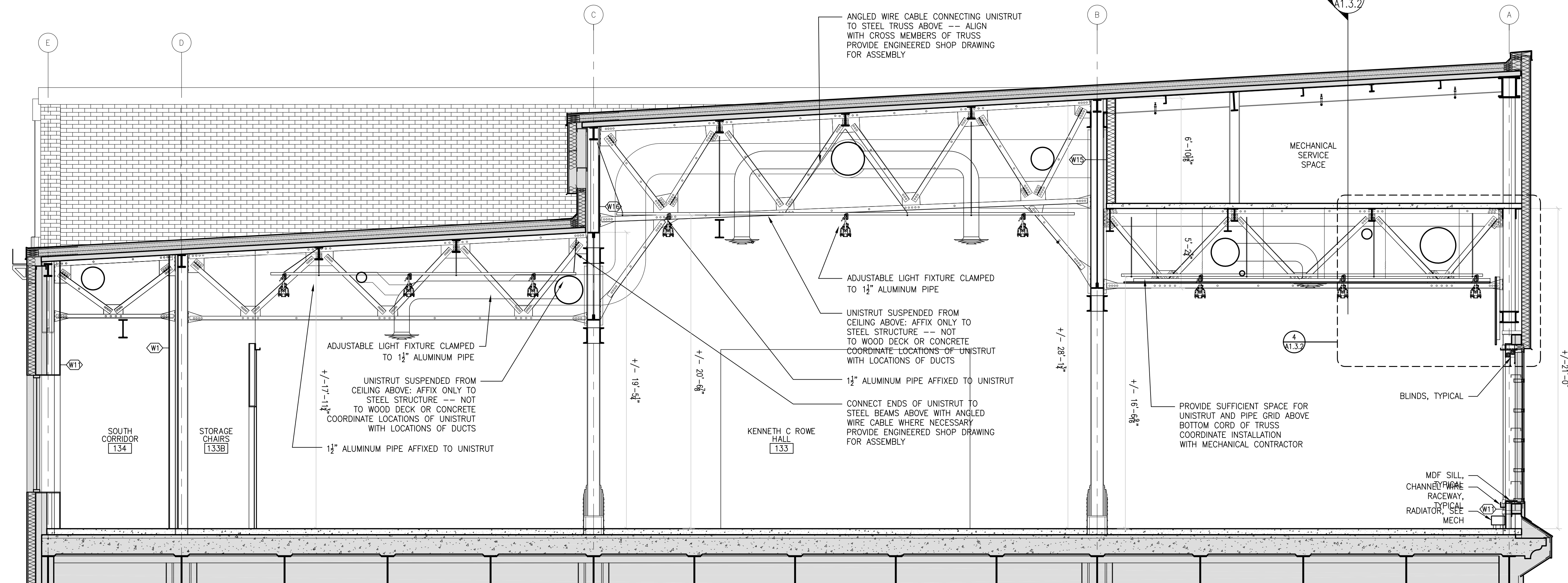
4 DETAILED SECTION THROUGH SUSPENDED LIGHTING GRID AND TECTUM  
A1.3.2 1/4" = 1'



3 REFLECTED CEILING PLAN DETAIL OF LIGHTING GRID  
A1.3.2 1/4" = 1'



1 SECTION THROUGH LOW CEILING ON EAST SIDE OF KCR  
A1.3.2 1/4" = 1'



2 BUILDING SECTION THROUGH KCR  
A1.3.2 1/4" = 1'

IMPERIAL SCALE DRAWING  
FIRST FLOOR ELEV. 00.00m

1	ISSUED FOR REVIEW	17 DEC 2013
2	ISSUED FOR REVIEW	15 JAN 2014
3	ISSUED FOR REVIEW	09 FEB 2014
4	ISSUED FOR REVIEW	11 APR 2014
5	ISSUED FOR REVIEW	13 JUN 2014
6	ISSUED FOR REVIEW	11 JULY 2014



Luc Bouliane Architect Inc + David J Agro Architect Inc  
1259 Dundas Street West, Toronto, M6J 1X6 Tel: 416 300 0656

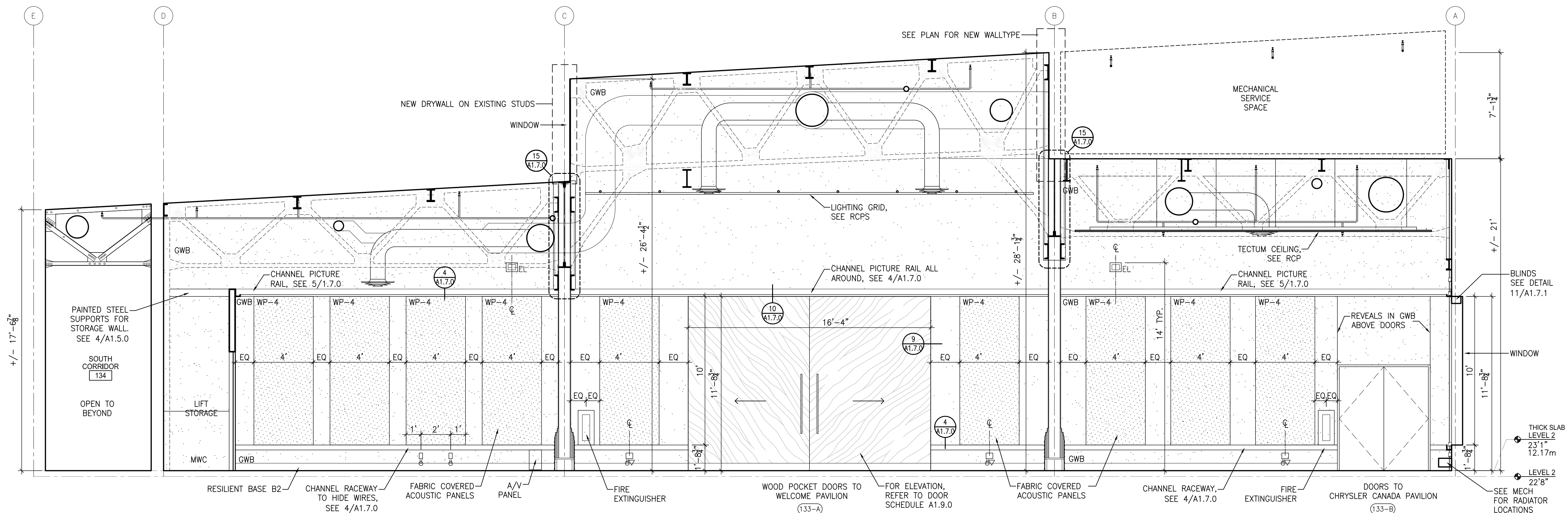
CANADIAN MUSEUM OF IMMIGRATION AT PEIR 21

project no: 13-005  
scale: AS NOTED  
drawn by: LB / QUA  
reviewed by: SEE  
date: 29 MAR 11

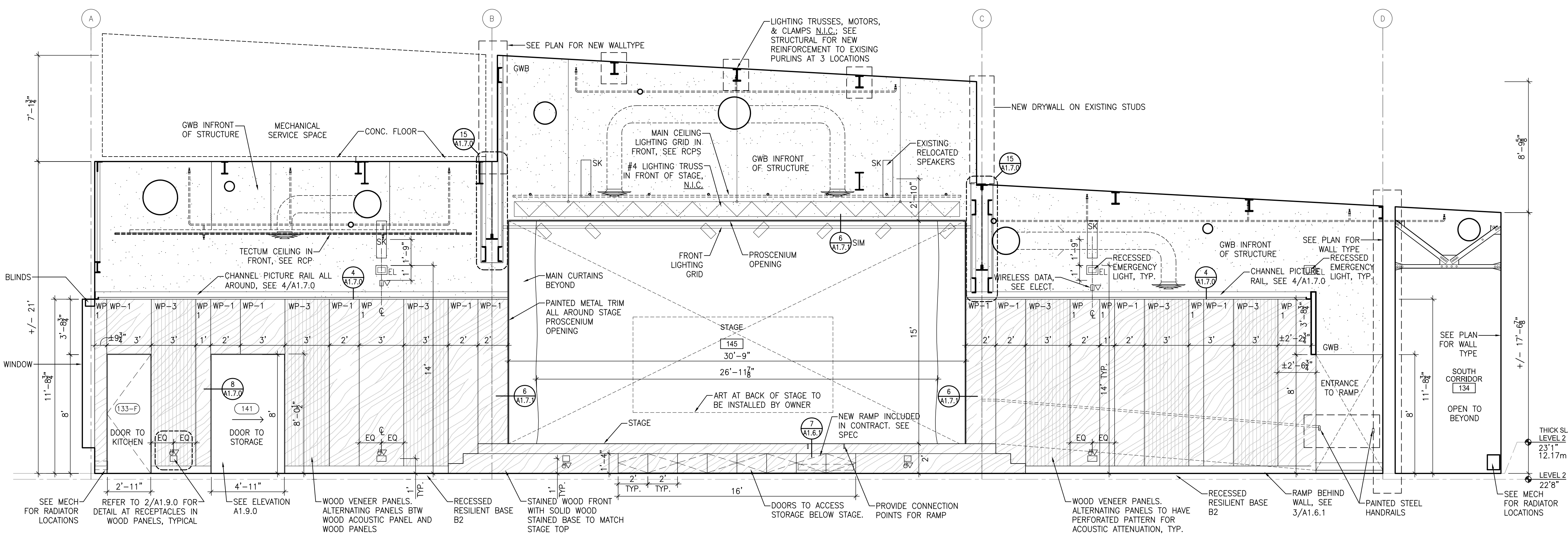
LIGHTING GRID

A1.3.2



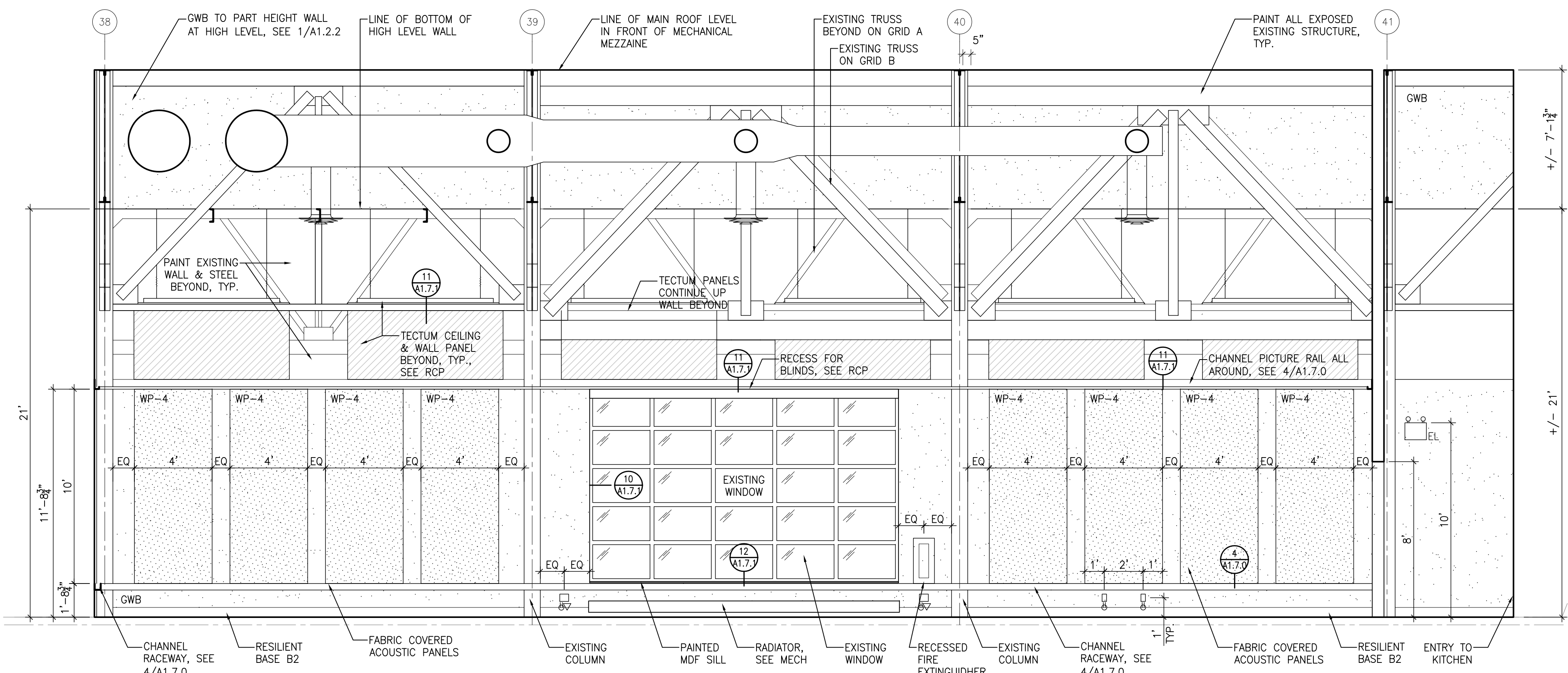


4 KENNETH C ROWE HALL - NORTH ELEVATION  
A4.0 1/4" = 1'

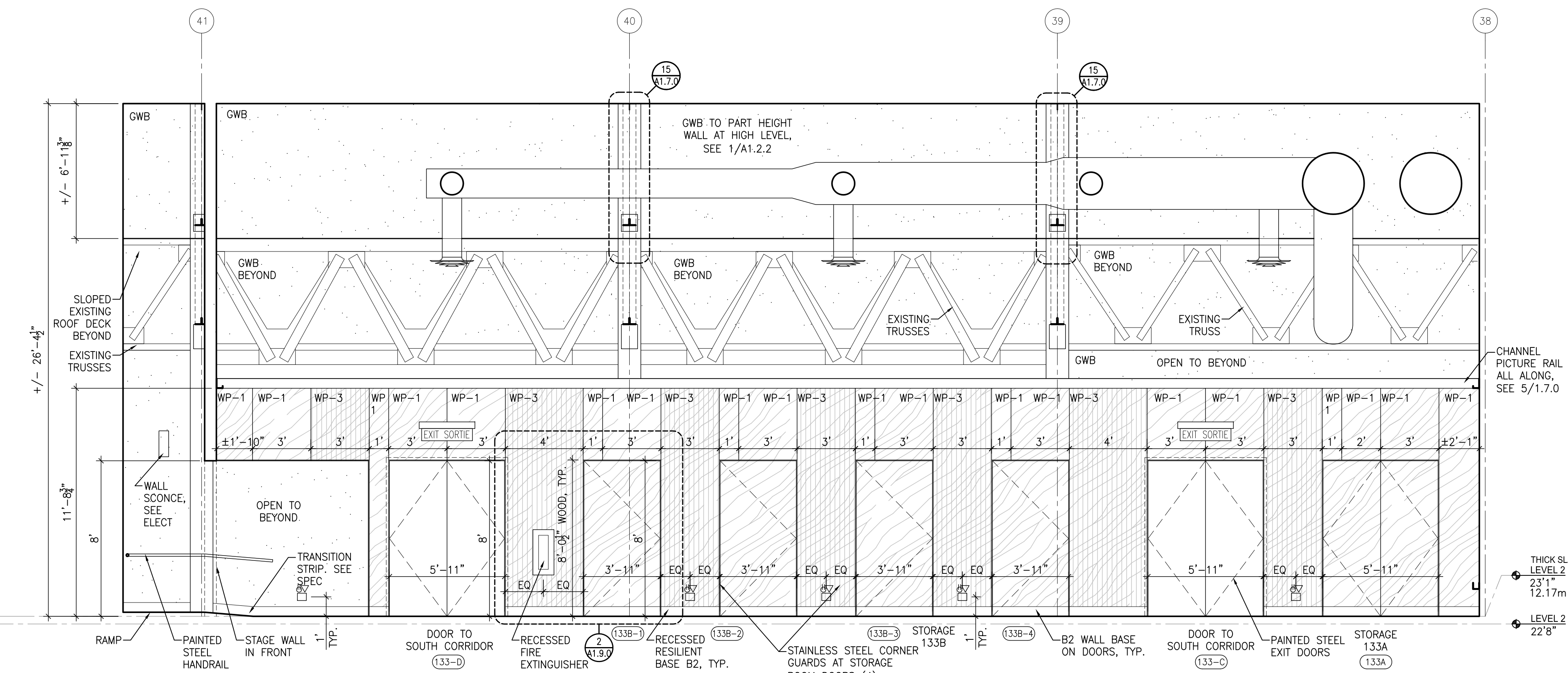


3 KENNETH C ROWE HALL - SOUTH ELEVATION  
A4.0 1/4" = 1'

**WOOD PANEL LEGEND:**  
 WP-1: 3/4" ASH VENEER PANEL W/ WOOD EDGING, VERTICAL GRAIN AND BEVEL AT PANEL EDGE. SIZE VARIES, SEE INTERIOR ELEVATIONS.  
 WP-2: RECESSED  
 WP-3: ASH VENEER WOOD ACOUSTIC PANEL W/ WOOD EDGING AND BEVELLED EDGE (SEE SPEC FOR SUPPLIER).  
 WP-4: FABRIC COVERED ACOUSTIC PANELS



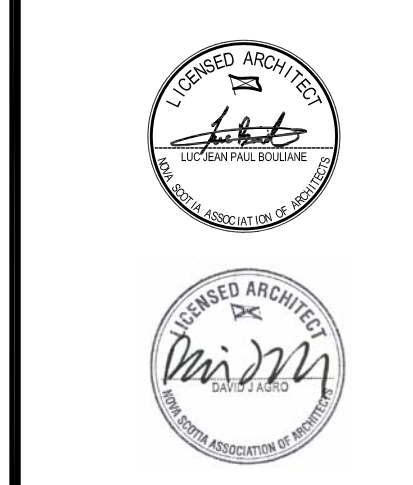
2 KENNETH C ROWE HALL - EAST ELEVATION  
A4.0 1/4" = 1'



1 KENNETH C ROWE HALL - WEST ELEVATION  
A4.0 1/4" = 1'

**IMPERIAL SCALE DRAWING**  
 FIRST FLOOR ELEV. 00.00m

1 ISSUED FOR REVIEW 11 DEC 2013  
 2 ISSUED FOR REVIEW 17 DEC 2013  
 3 ISSUED FOR REVIEW 15 JAN 2014  
 4 ISSUED FOR SCHEMATIC 30 JAN 2014  
 5 REVISED FOR PERMITS 11 APR 2014  
 6 REVISED FOR TENDER 15 JUNE 2014  
 7 REVISED FOR TENDER 11 JULY 2014



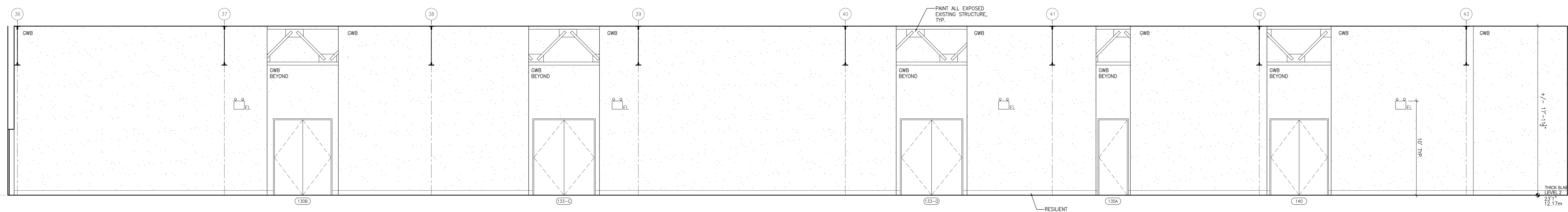
Luc Bouliane Architect Inc + David J Agro Architect Inc  
 1259 Dundas Street West, Toronto, M6J 1X6 Tel: 416 300 0656

CANADIAN MUSEUM OF IMMIGRATION AT PEIR 21

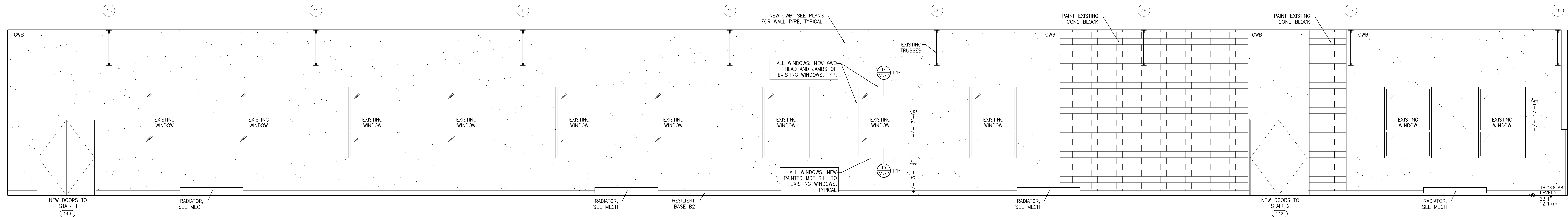
project no: 13-005  
 scale: 1/4" = 1'  
 drawn by: LB / QUA  
 reviewed by: 28/04/11  
 date:

INTERIOR ELEVATIONS  
 KENNETH C ROWE HALL  
**A1.4.0**

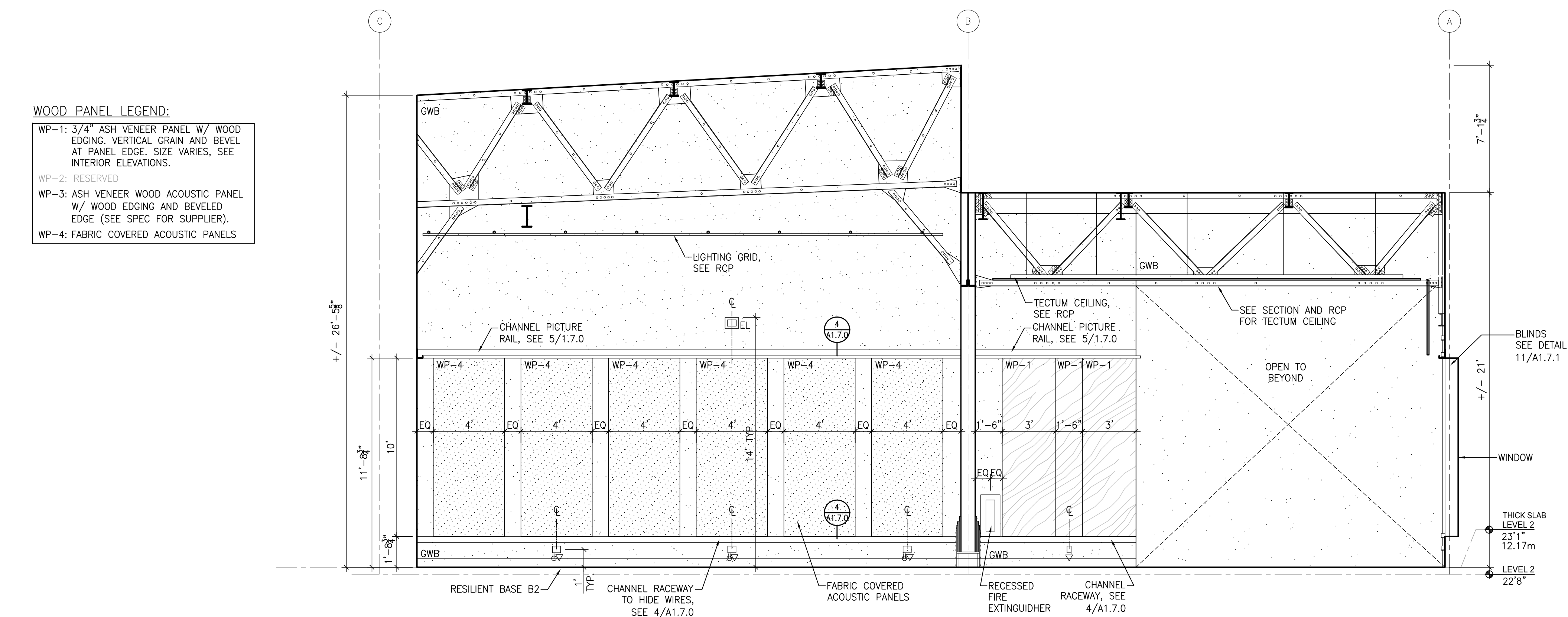




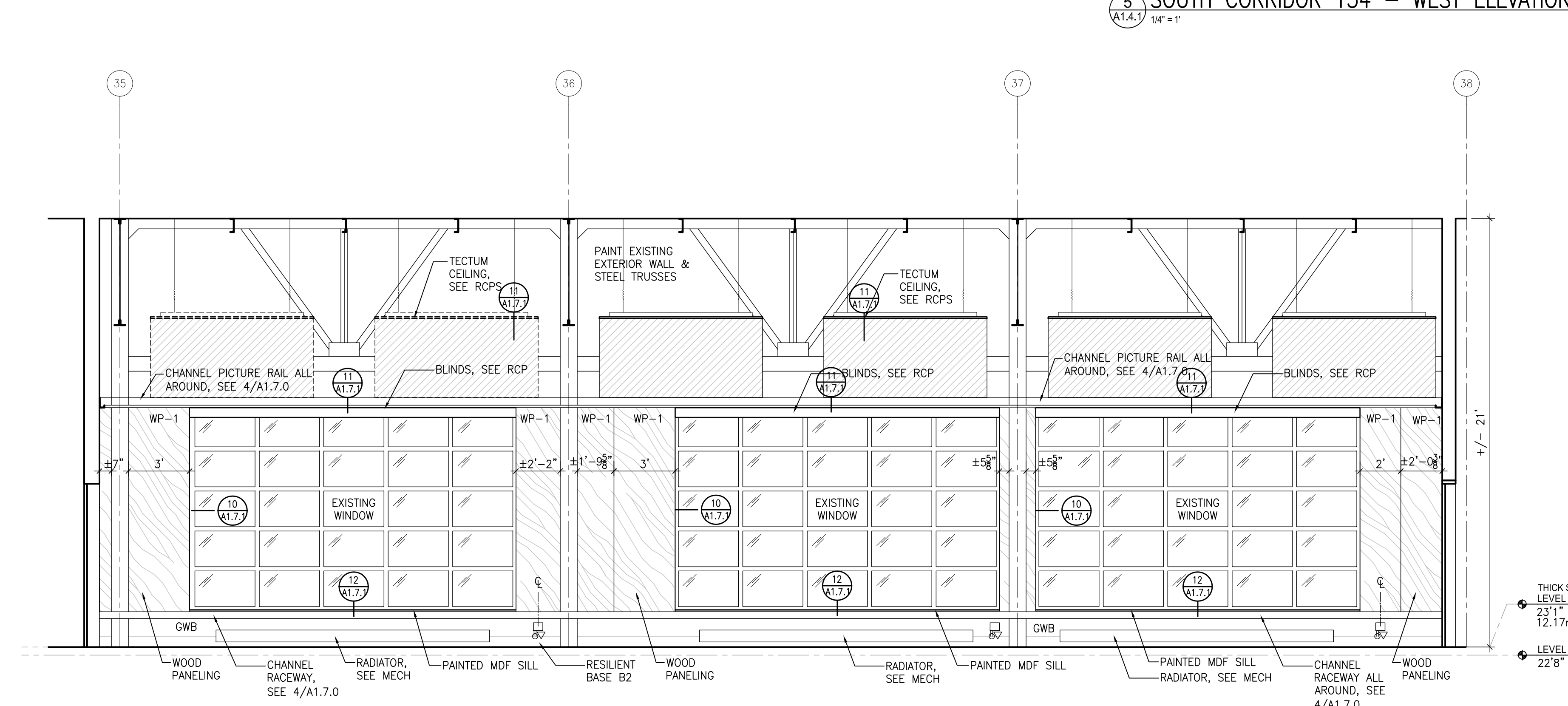
6 SOUTH CORRIDOR 134 - EAST ELEVATION  
A1.4.1 1/4" = 1'



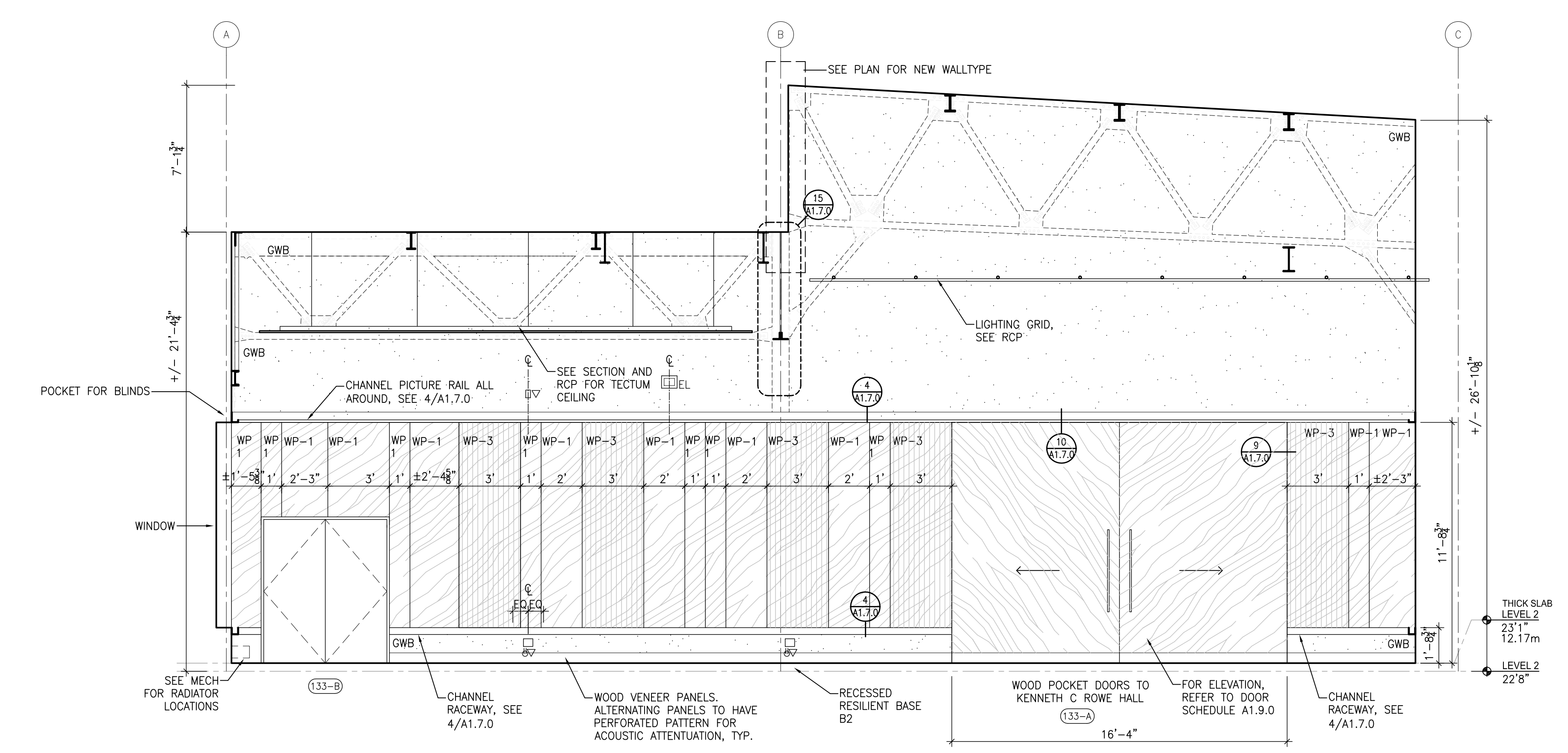
5 SOUTH CORRIDOR 134 - WEST ELEVATION  
A1.4.1 1/4" = 1'



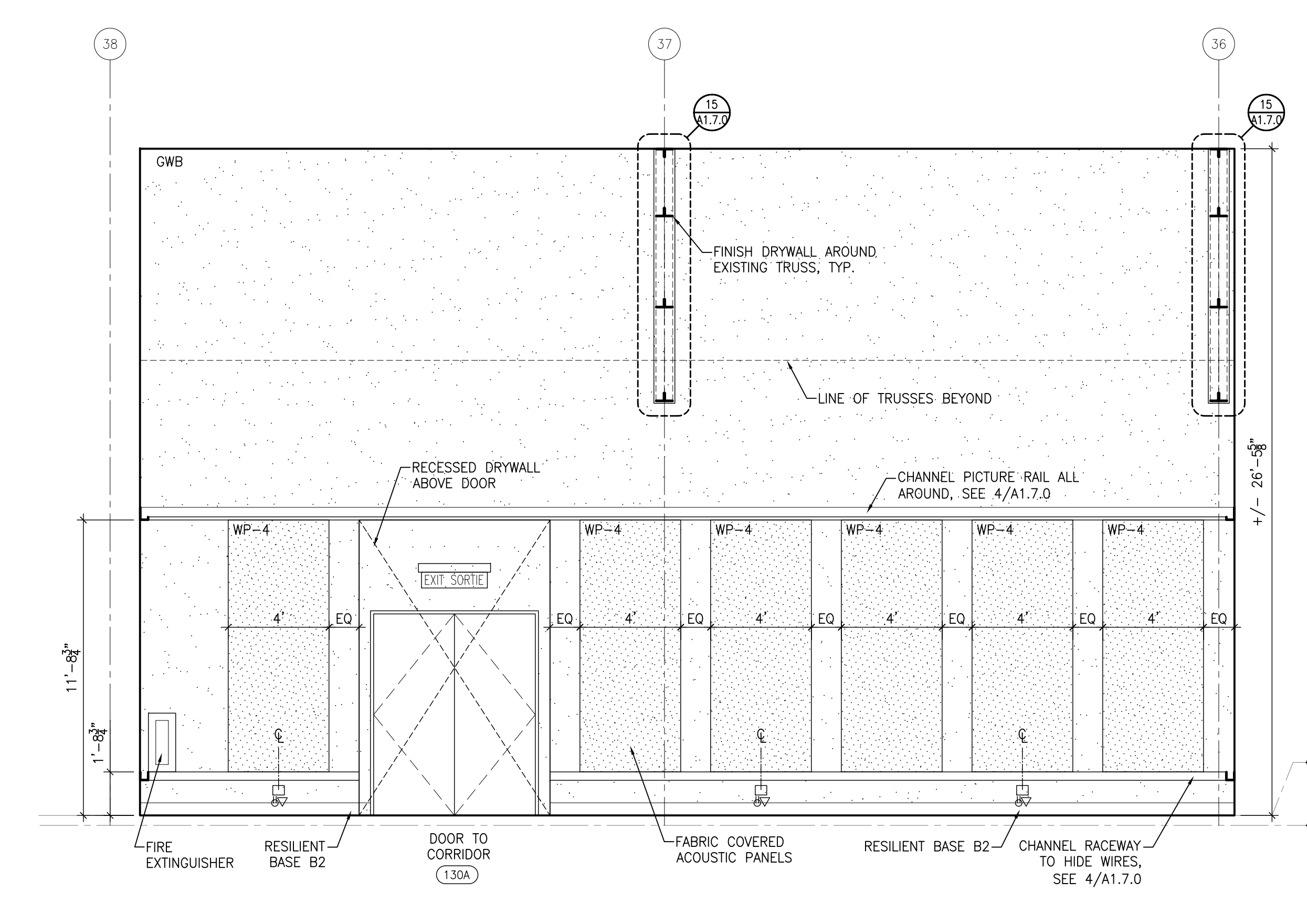
5 CHRYSLER CANADA PAVILION 125 - NORTH ELEVATION  
A1.4.1 1/4" = 1'



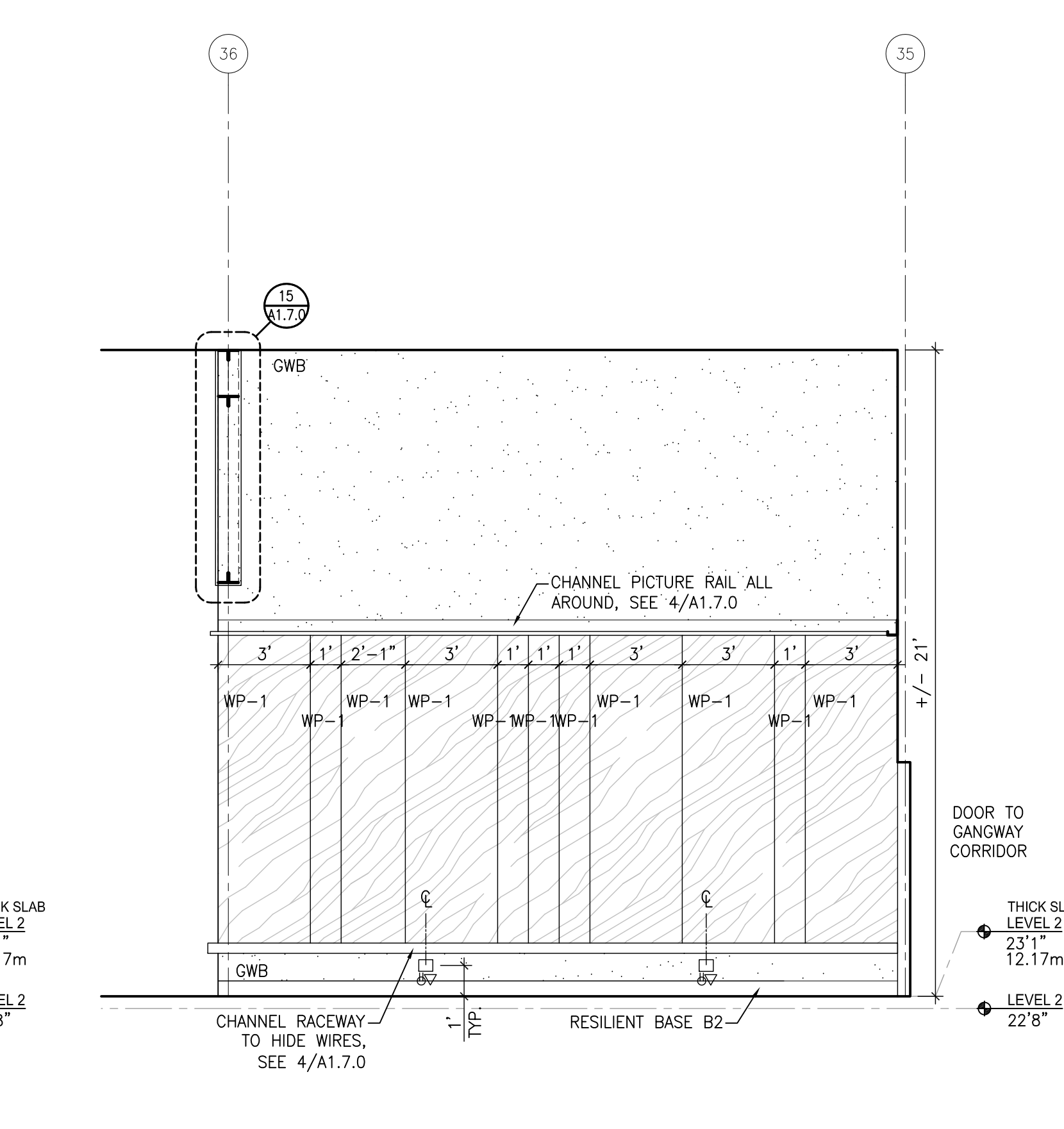
4 CHRYSLER CANADA PAVILION 125 - EAST ELEVATION  
A1.4.1 1/4" = 1'



3 CHRYSLER CANADA PAVILION 125 - SOUTH ELEVATION  
A1.4.1 1/4" = 1'



2 CHRYSLER CANADA PAVILION 125 - WEST ELEVATION  
A1.4.1 1/4" = 1'



1 CHRYSLER CANADA PAVILION 125 - WEST ELEVATION  
A1.4.1 1/4" = 1'

IMPERIAL SCALE DRAWING  
FIRST FLOOR ELEV. 00.00m

1	ISSUED FOR REVIEW	09 DEC 2013
2	ISSUED FOR REVIEW	17 DEC 2013
3	ISSUED FOR REVIEW	15 JAN 2014
4	ISSUED FOR REVIEW	30 JAN 2014
5	ISSUED FOR REVIEW	11 APR 2014
6	ISSUED FOR REVIEW	15 JUN 2014
7	ISSUED FOR REVIEW	15 JULY 2014



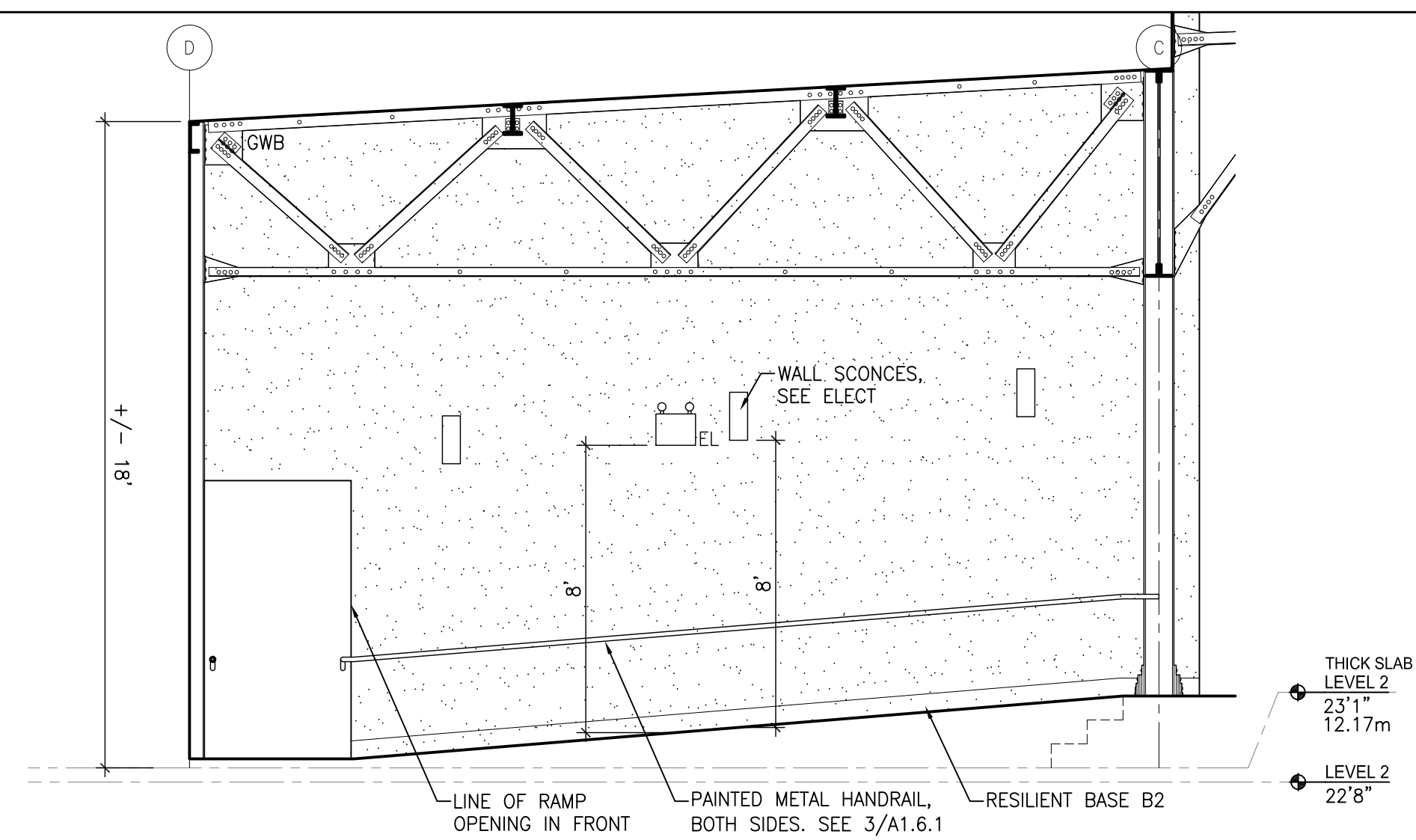
Luc Bouliane Architect Inc + David J Agro Architect Inc  
1259 Dundas Street West, Toronto, M6J 1X6 Tel: 416 300 0656

project no: 13-005  
scale: 1/4" = 1'  
drawn by: LB / DJA  
reviewed by: 20/KA/11  
date:

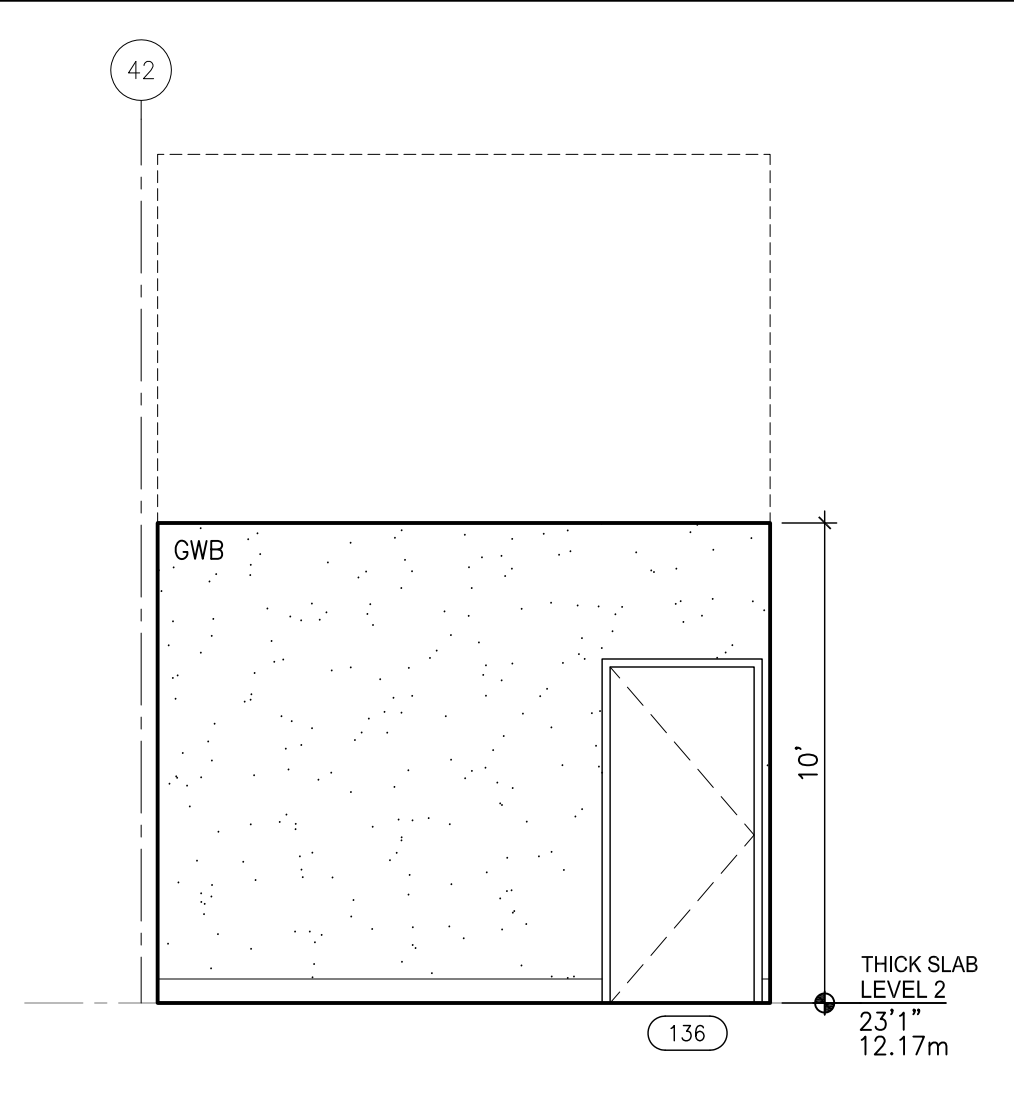
INTERIOR ELEVATIONS  
CHRYSLER CANADA PAVILION

CANADIAN MUSEUM OF IMMIGRATION AT PEIR 21  
A1.4.1

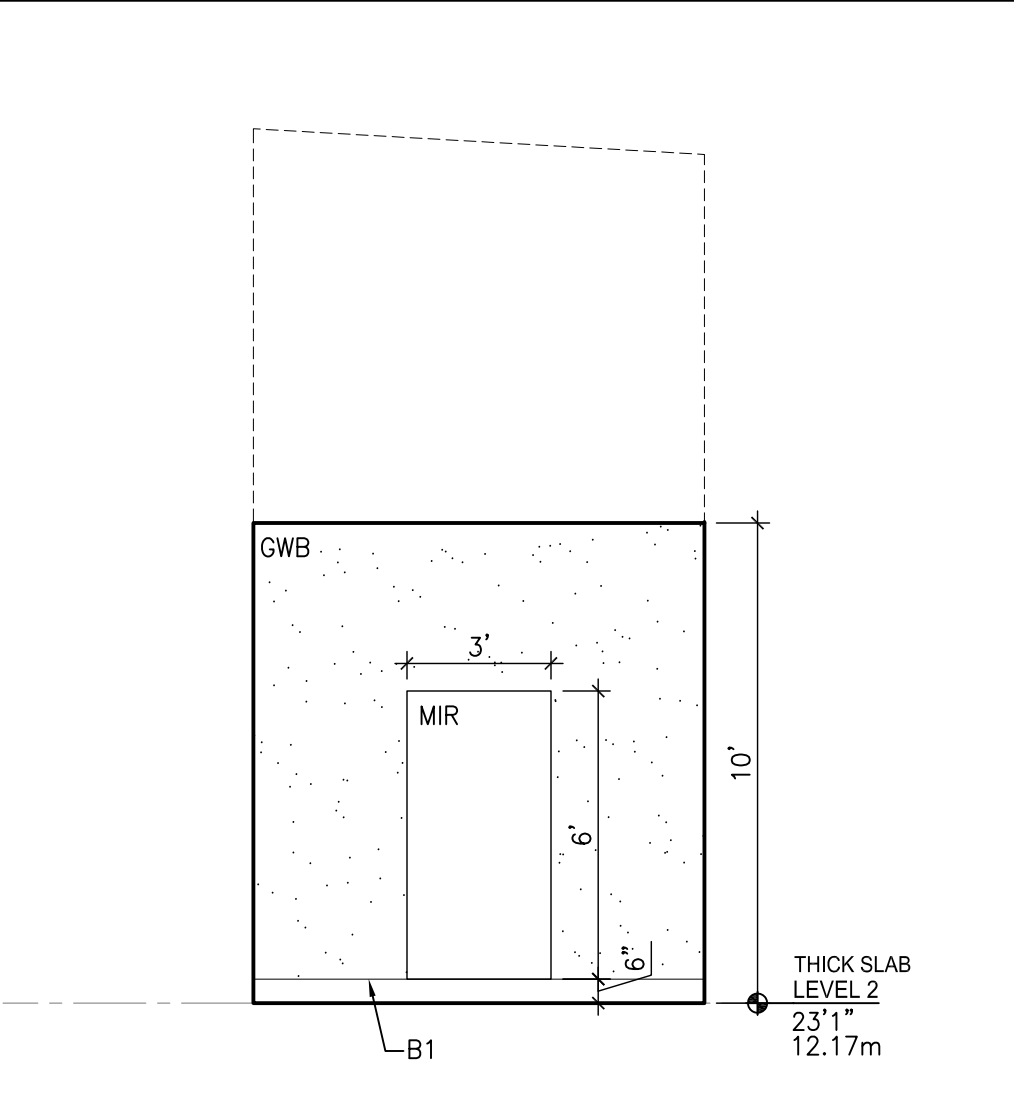




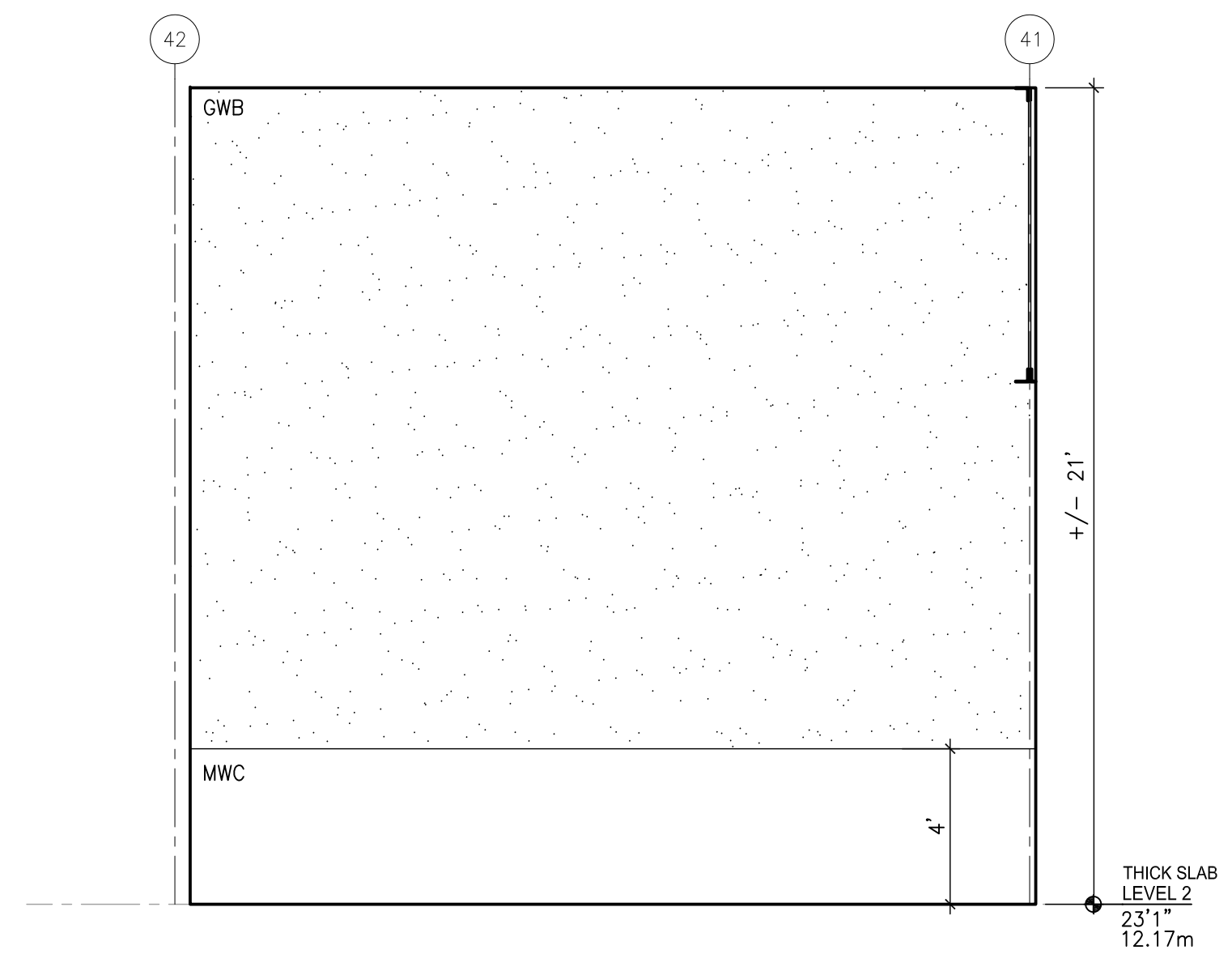
14 STAGE 145 - RAMP NORTH ELEVATION  
A1.4.2 1/4" = 1'



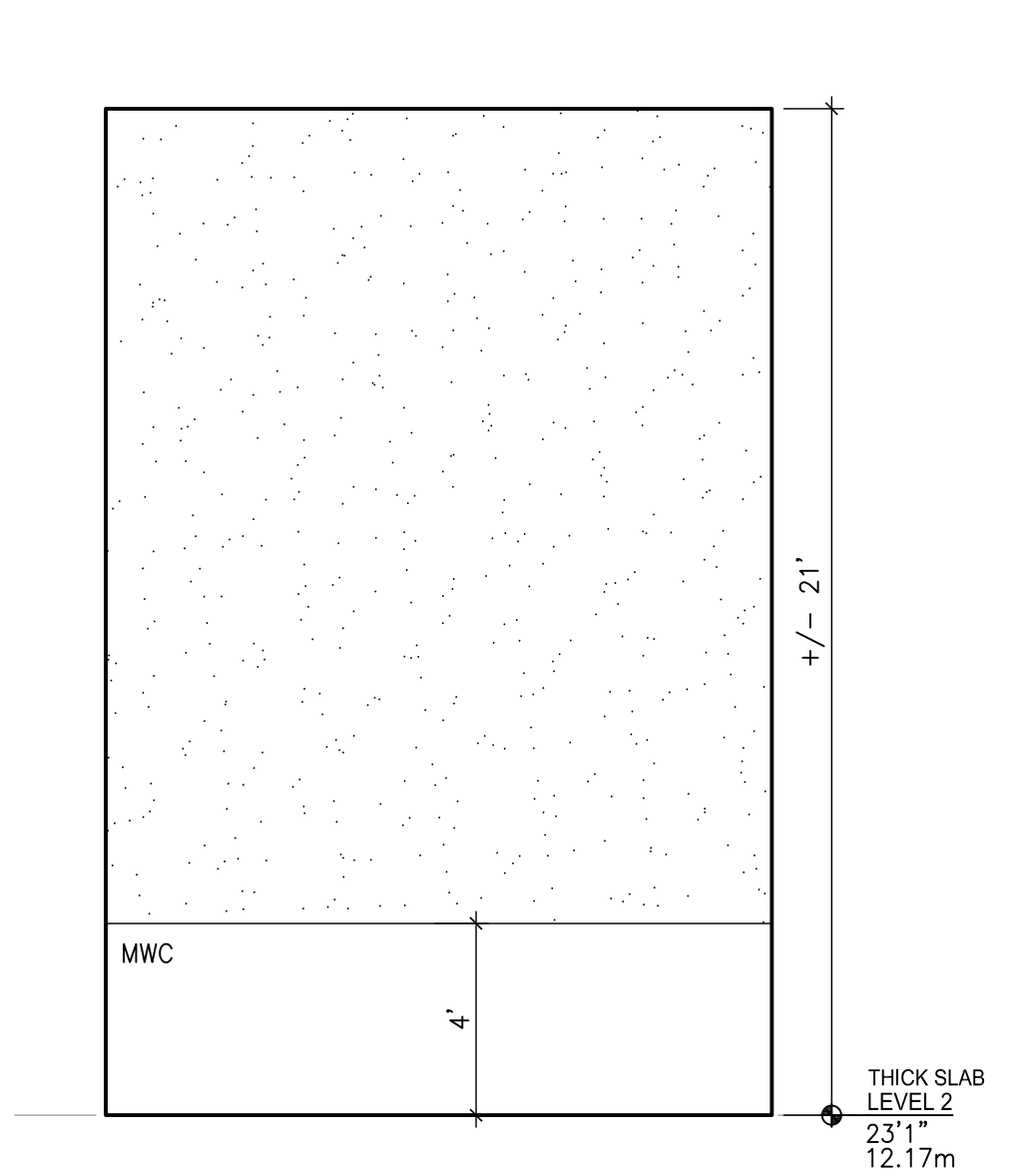
9 GREEN ROOM 135 - WEST ELEV.  
A1.4.2 1/4" = 1'



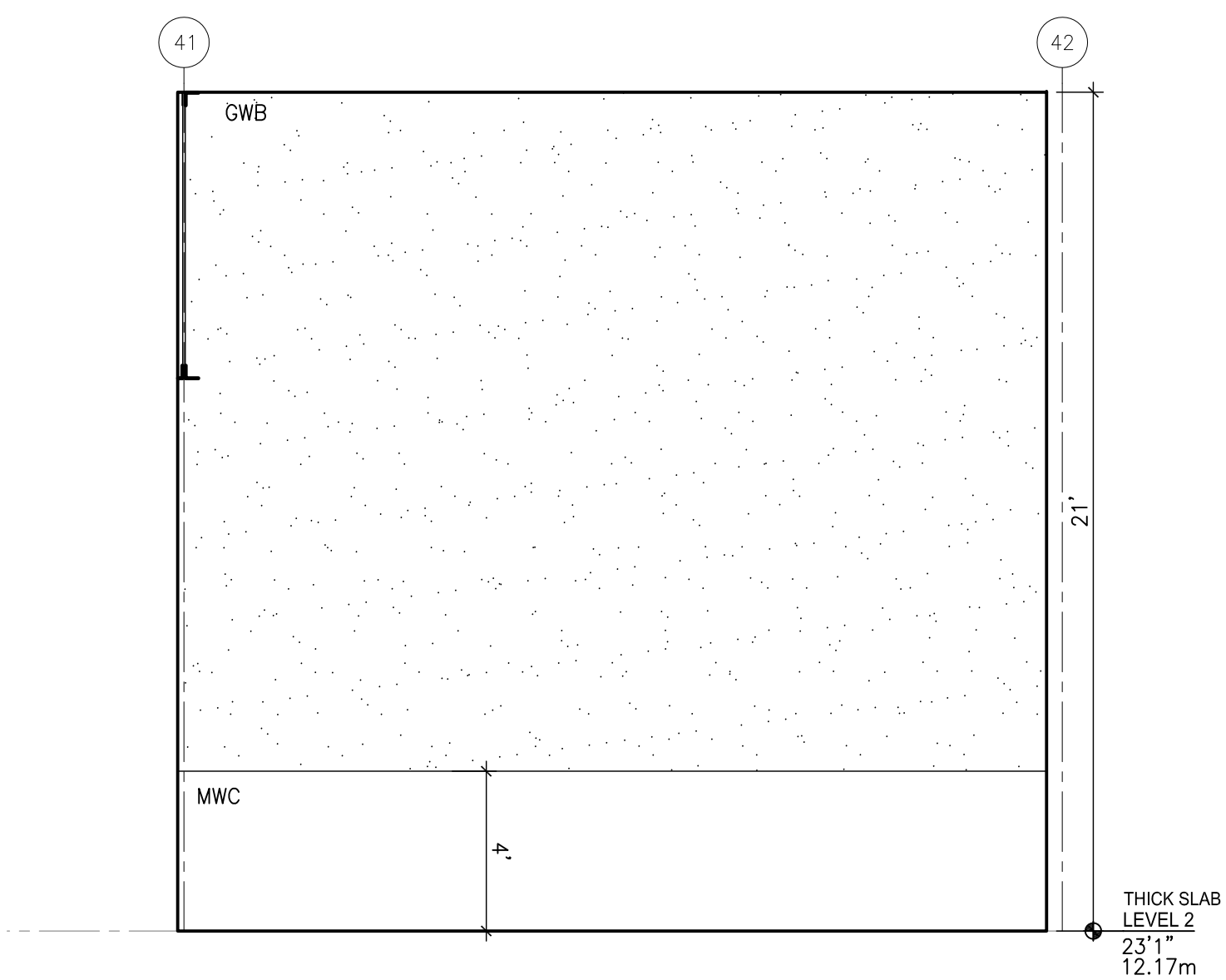
8 GREEN ROOM 135 - SOUTH ELEV.  
A1.4.2 1/4" = 1'



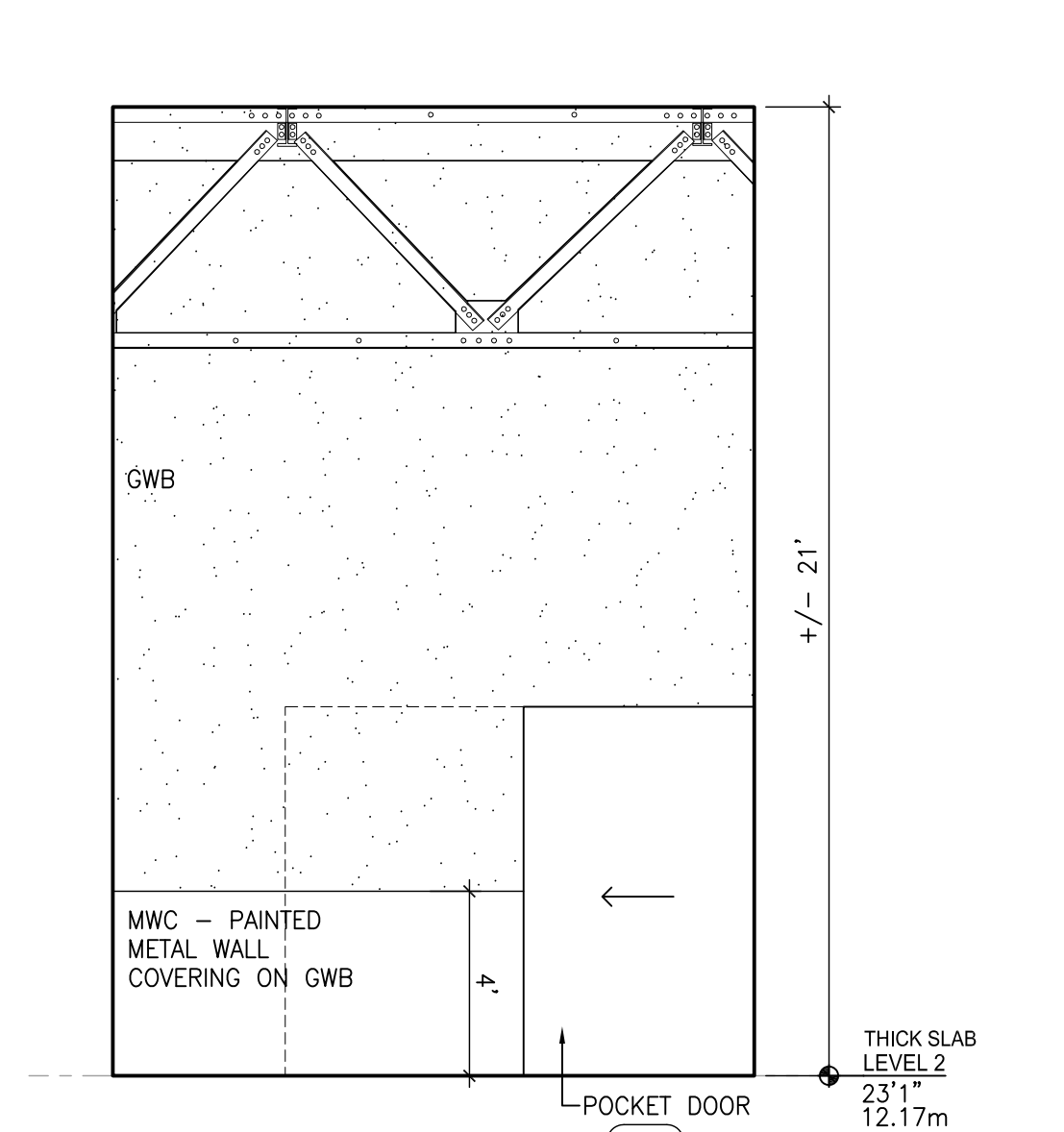
13 STORAGE 141 - WEST ELEV.  
A1.4.2 1/4" = 1'



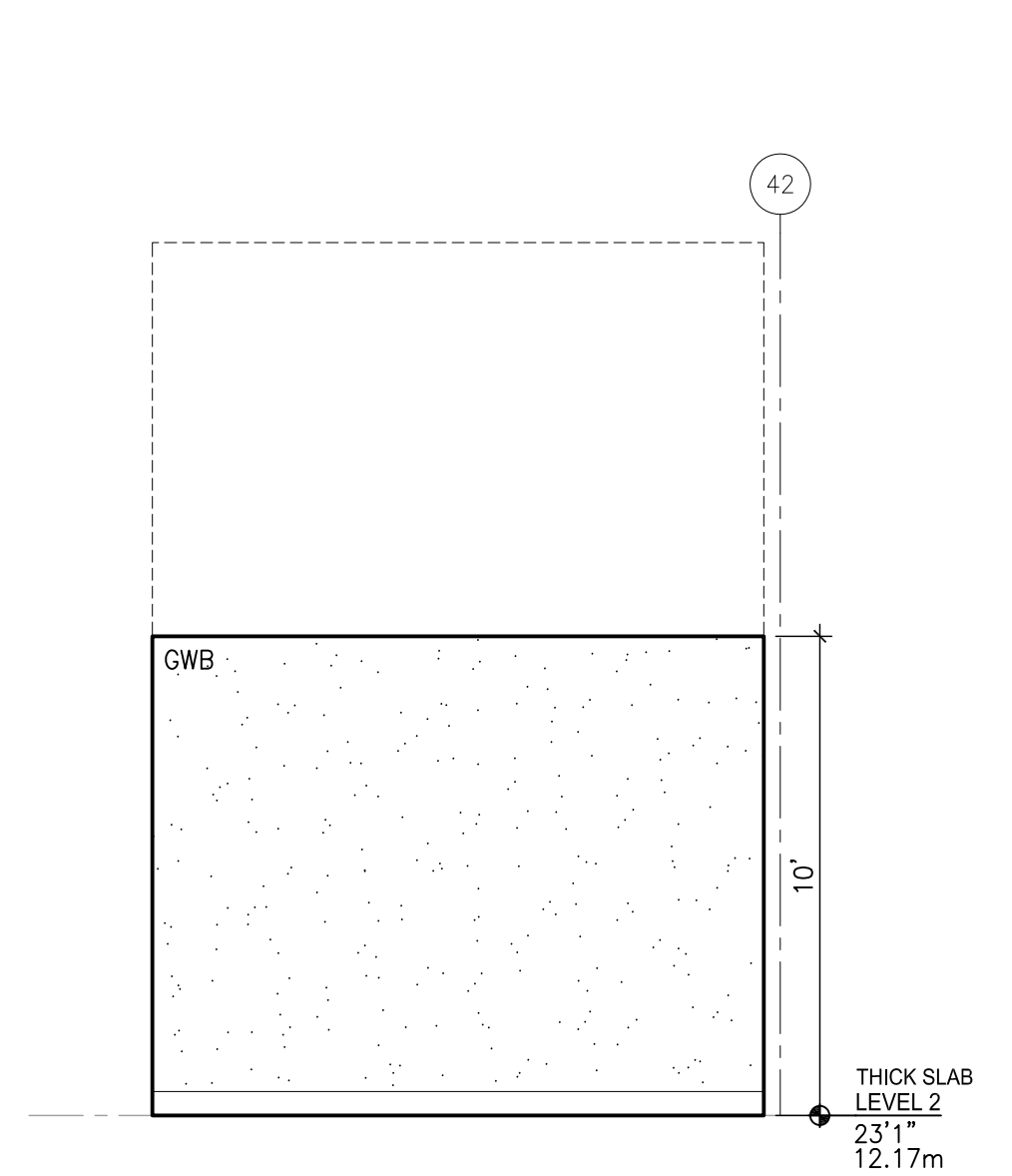
12 STORAGE 141 - SOUTH ELEV.  
A1.4.2 1/4" = 1'



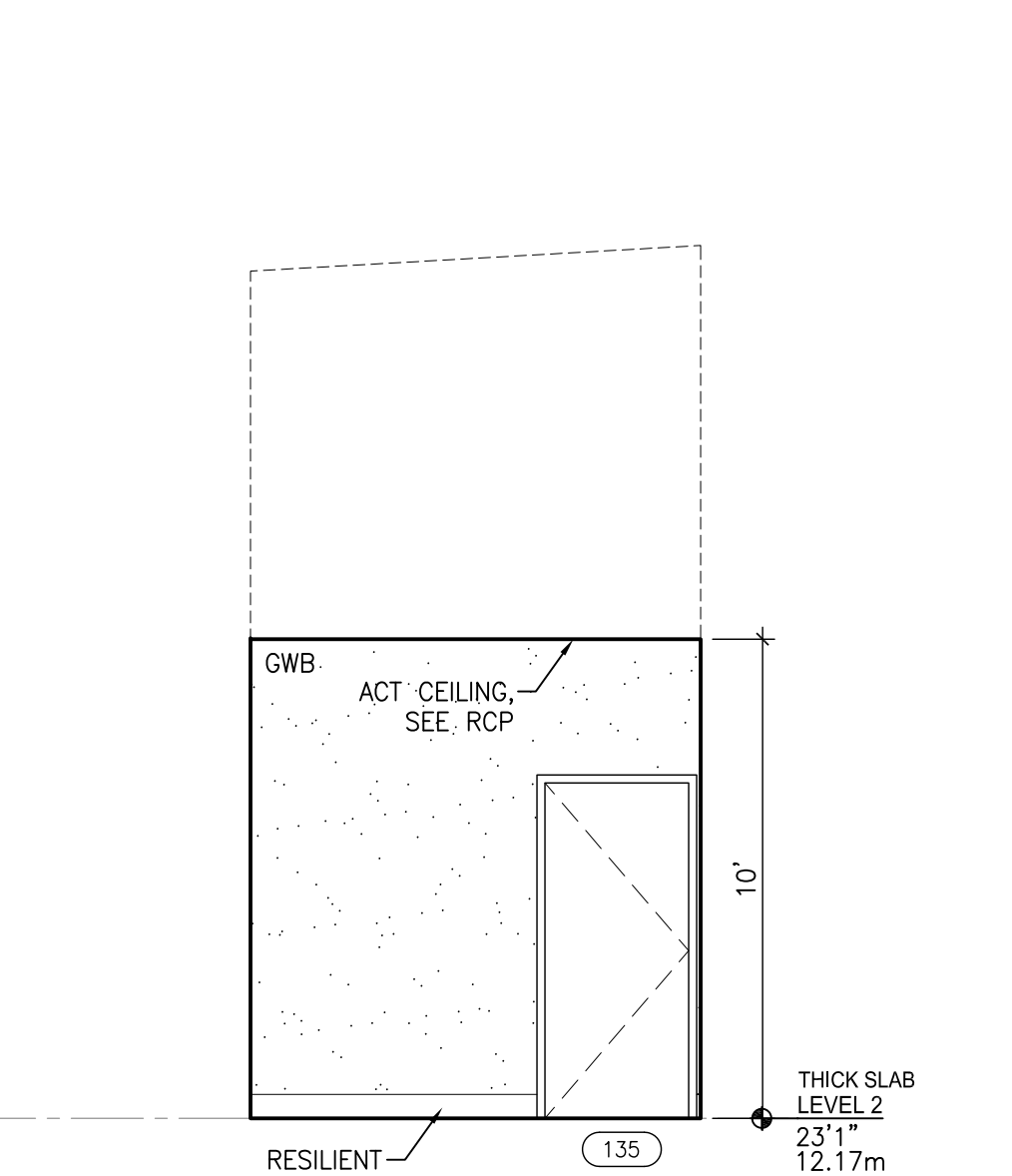
11 STORAGE 141 - EAST ELEV.  
A1.4.2 1/4" = 1'



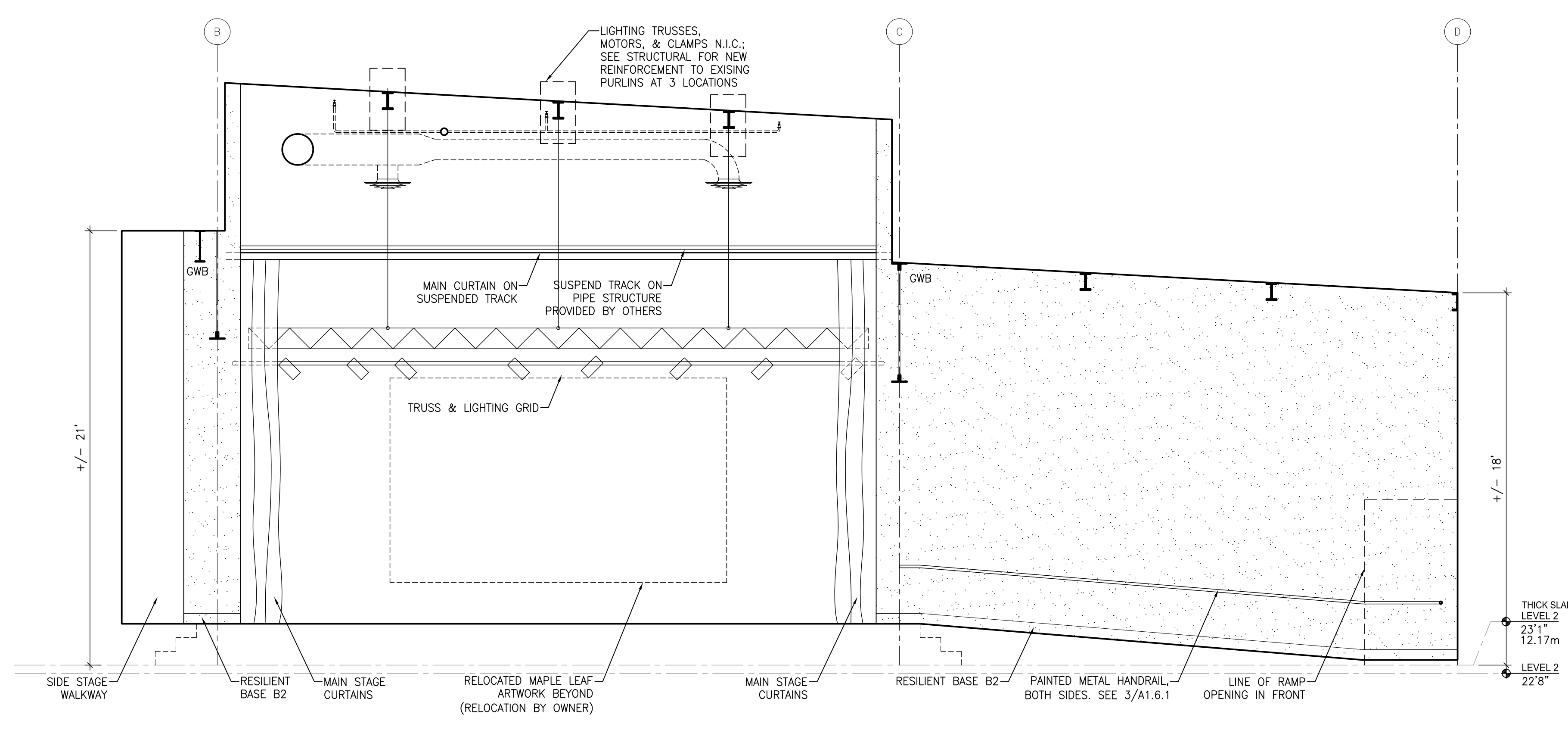
10 STORAGE 141 - NORTH ELEV.  
A1.4.2 1/4" = 1'



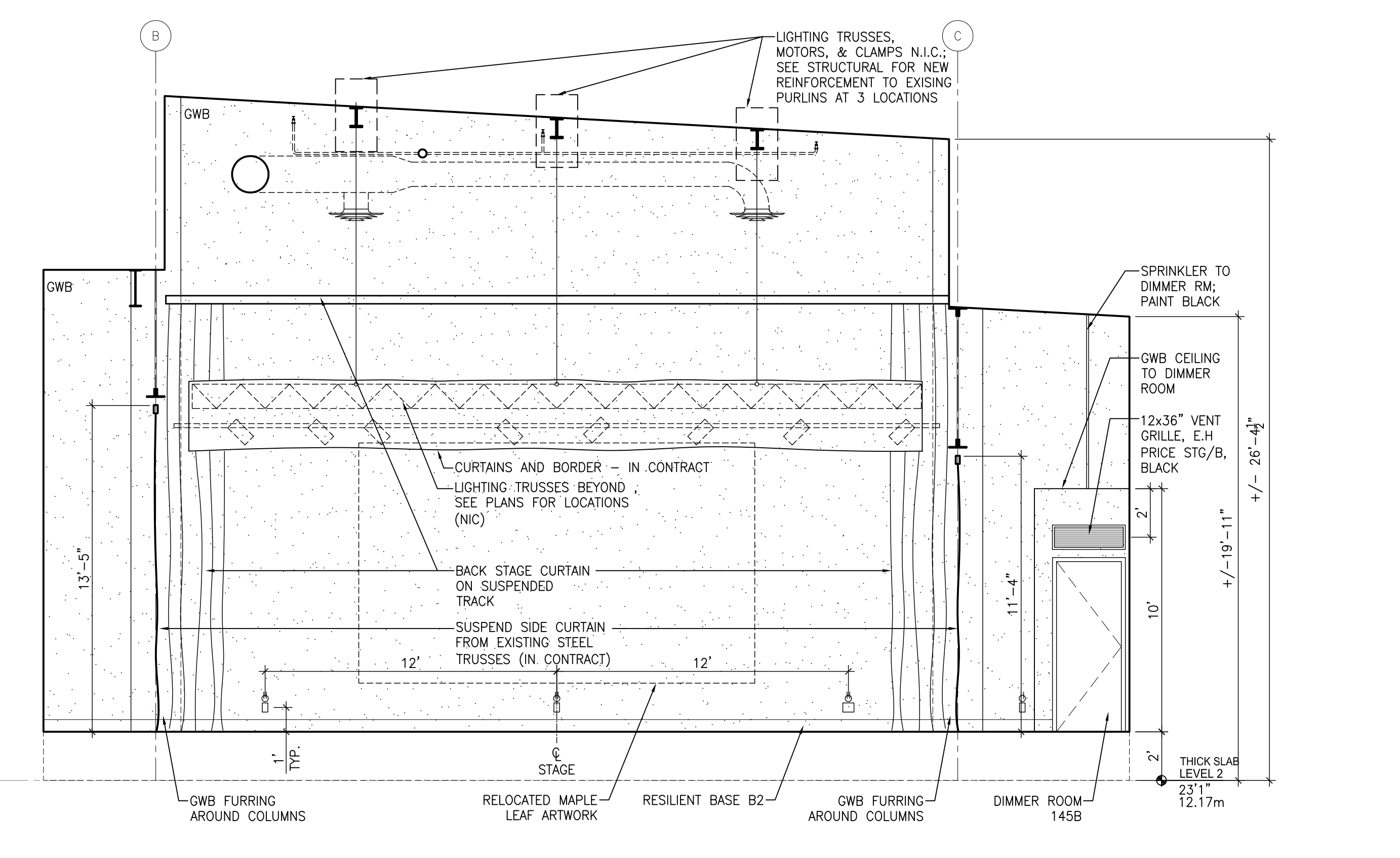
7 GREEN ROOM 135 - EAST ELEV.  
A1.4.2 1/4" = 1'



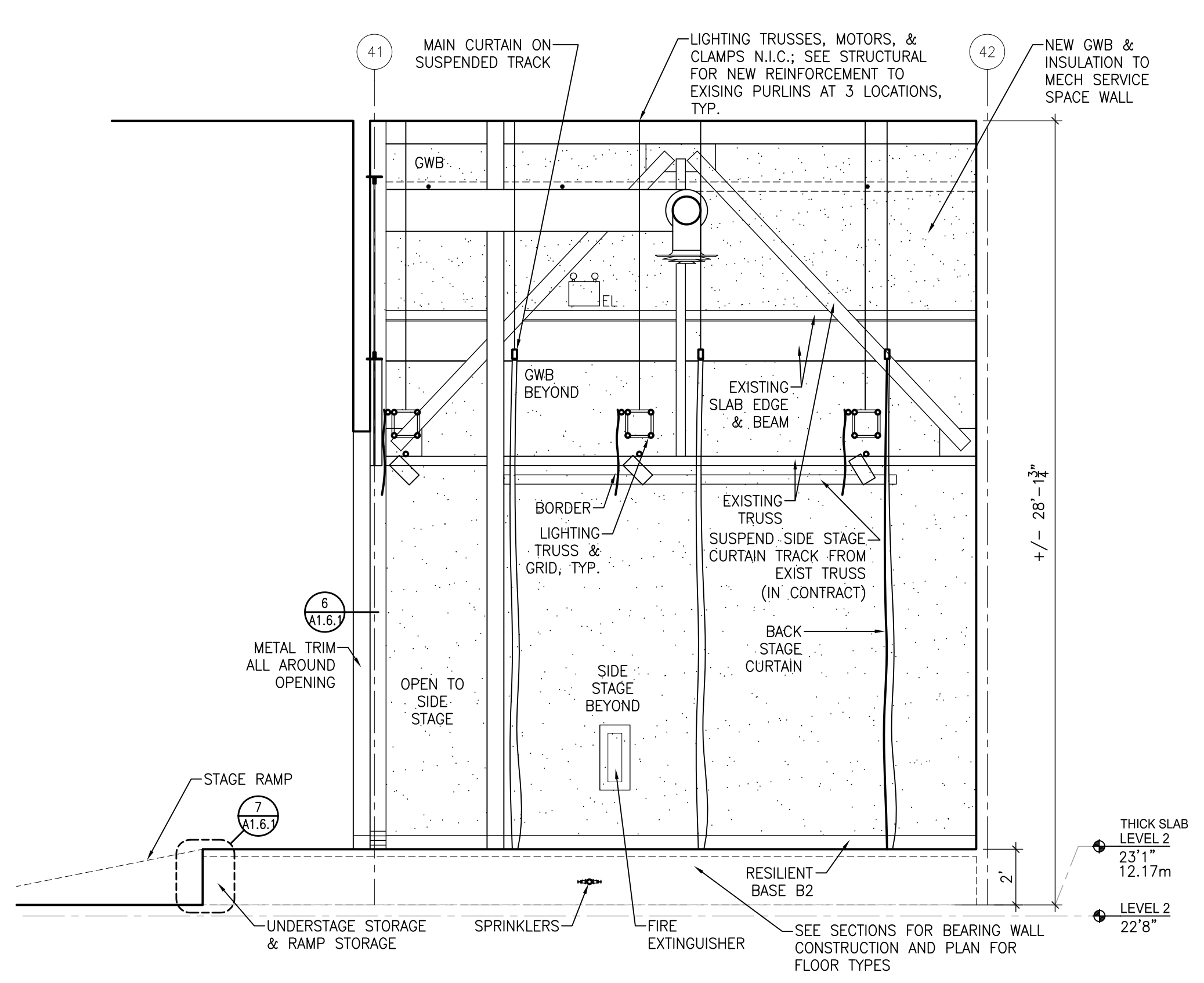
6 GREEN ROOM 135 - NORTH ELEV.  
A1.4.2 1/4" = 1'



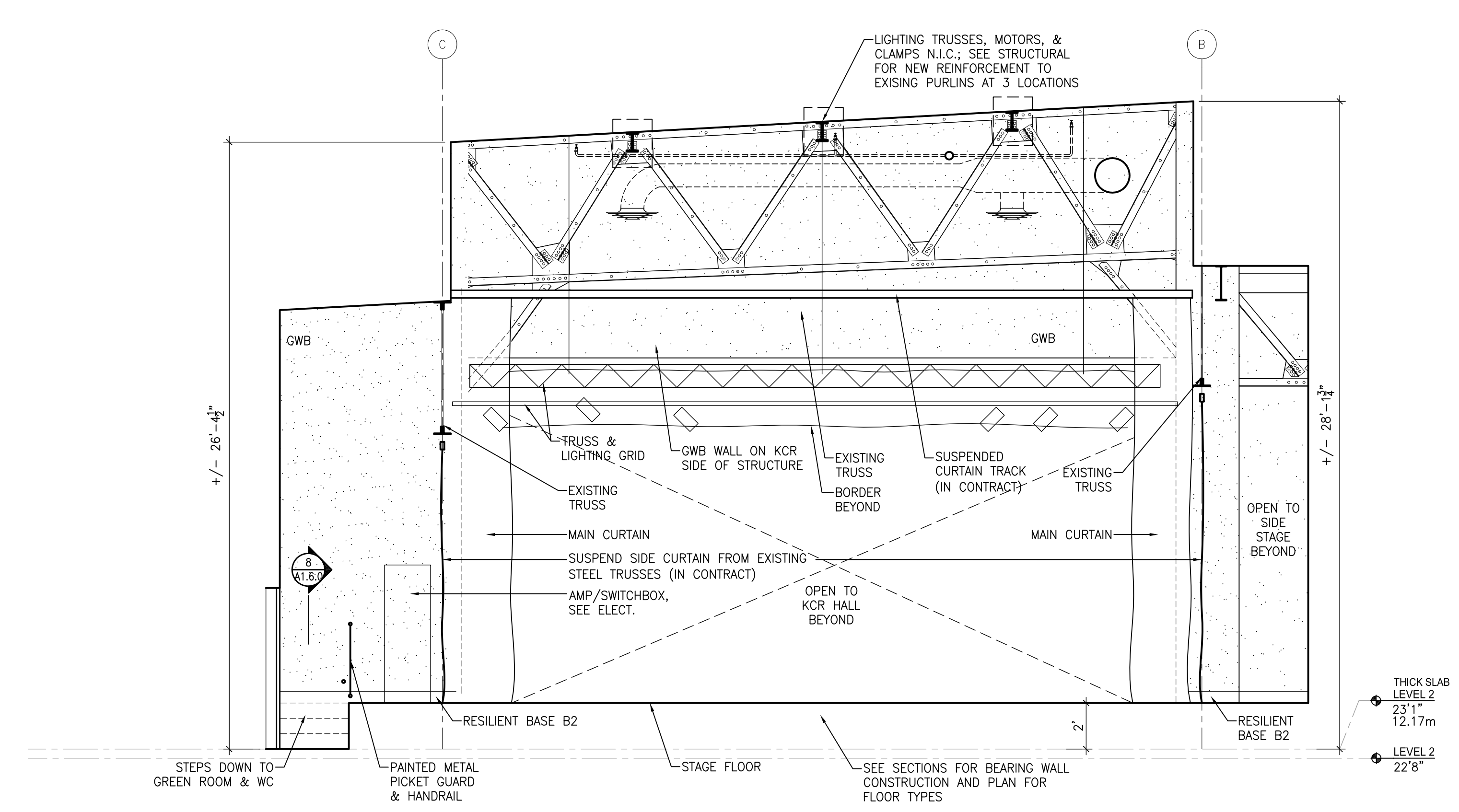
5 STAGE 145 - WEST ELEVATION - AT RAMP  
A1.4.2 1/4" = 1'



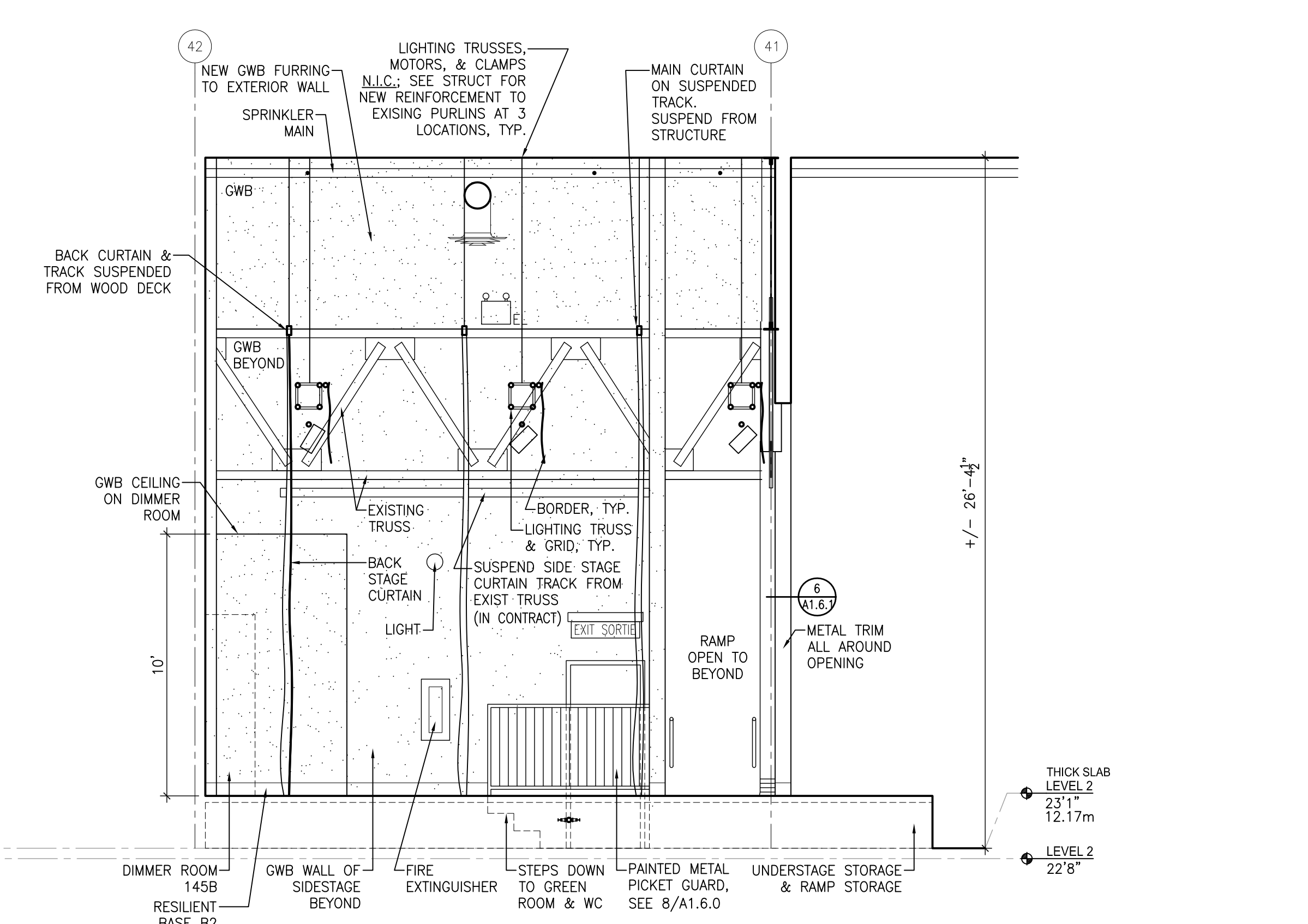
4 STAGE 145 - WEST ELEVATION - BACKSTAGE  
A1.4.2 1/4" = 1'



3 STAGE 145 - SOUTH ELEVATION - SIDE STAGE  
A1.4.2 1/4" = 1'



2 STAGE 145 - SOUTH ELEVATION - FRONT STAGE  
A1.4.2 1/4" = 1'



1 STAGE 145 - NORTH ELEVATION - SIDE STAGE  
A1.4.2 1/4" = 1'

IMPERIAL SCALE DRAWING  
FIRST FLOOR ELEV. 00.00m

1	ISSUED FOR REVIEW	11 DEC 2013
2	ISSUED FOR REVIEW	17 DEC 2013
3	ISSUED FOR REVIEW	15 JAN 2014
4	ISSUED FOR REVIEW	30 JAN 2014
5	ISSUED FOR REVIEW	11 APR 2014
6	ISSUED FOR REVIEW	13 JUN 2014
7	ISSUED FOR REVIEW	11 JULY 2014



Luc Bouliane Architect Inc + David J Agro Architect Inc  
1259 Dundas Street West, Toronto, M6J 1X6 Tel: 416 300 0656

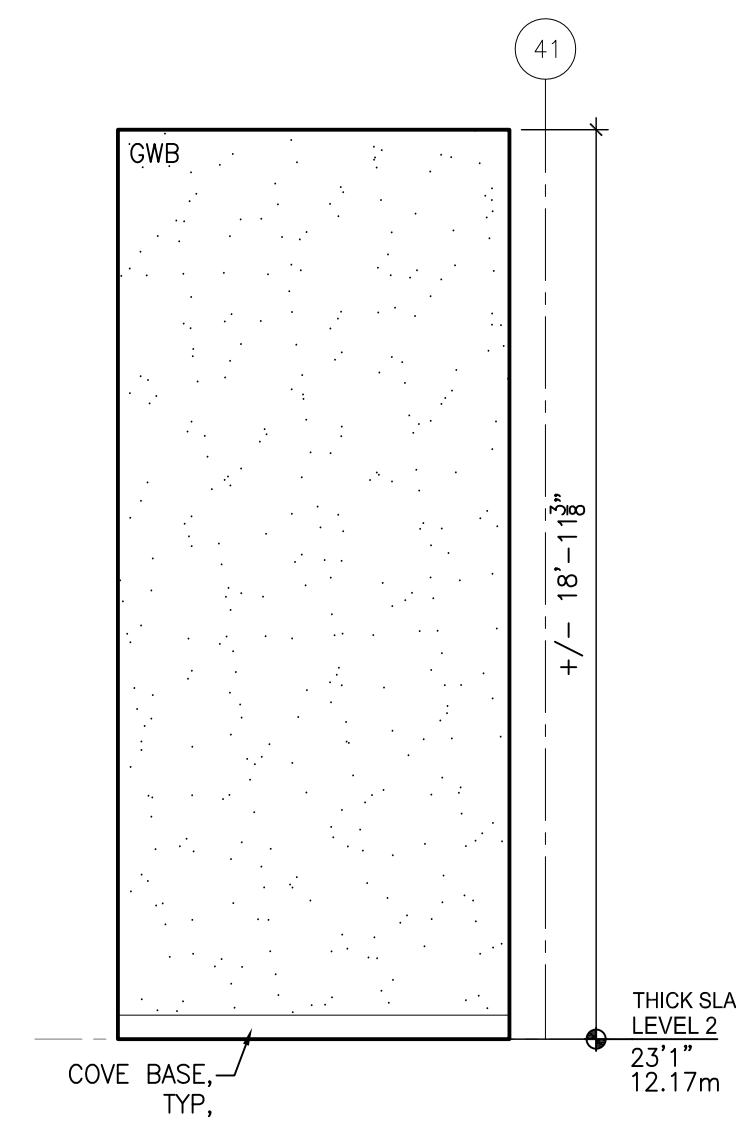
project no: 13-005  
scale: 1/4" = 1'  
drawn by: LB / DJA  
reviewed by: 2014.11  
date:

CANADIAN MUSEUM OF IMMIGRATION AT PEIR 21

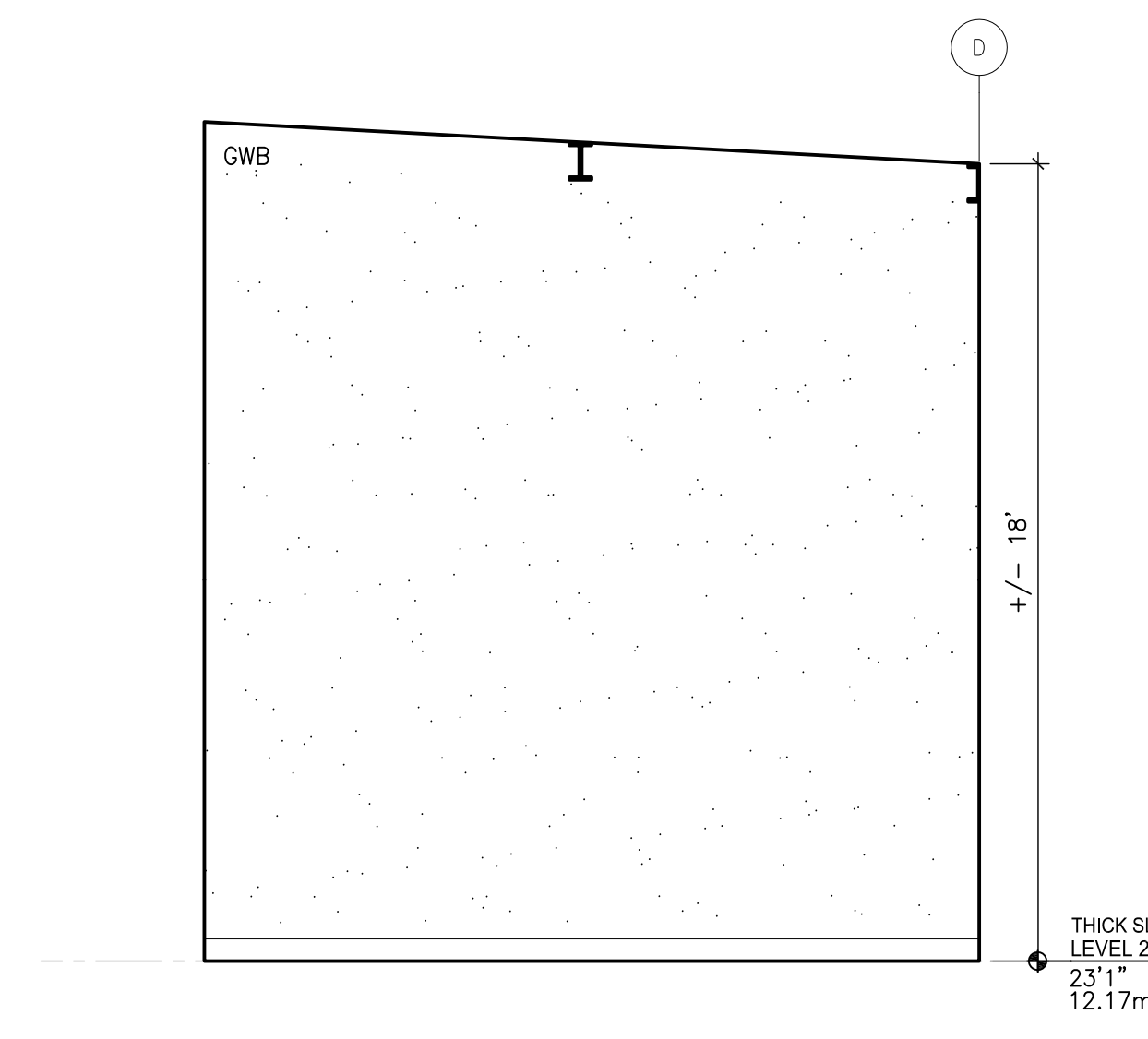


IMPERIAL SCALE DRAWING  
FIRST FLOOR ELEV. 00.00m

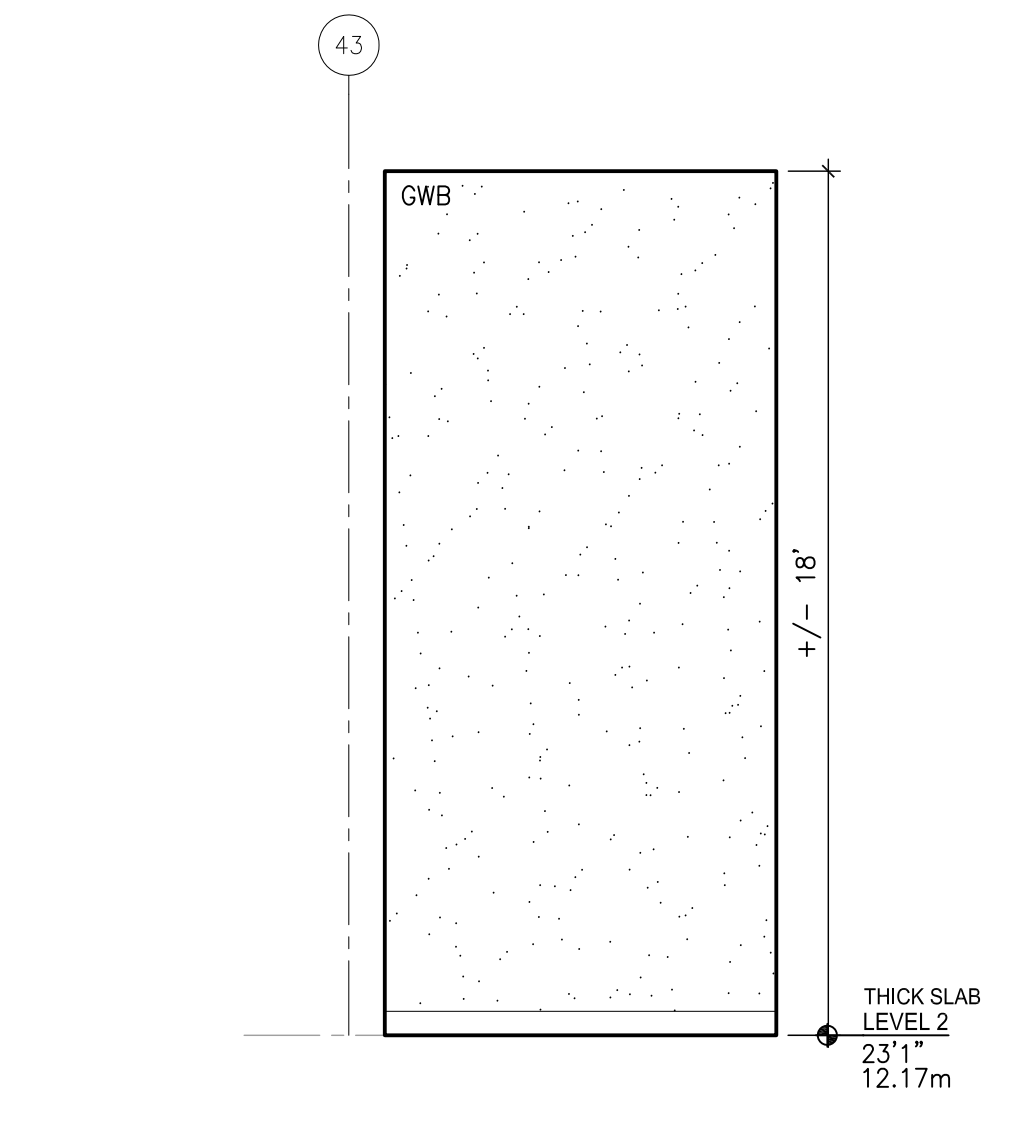
- 1 ISSUED FOR SCHEDULE 30 JAN 2014
- 2 REVISED FOR DESIGN DEVELOPMENT 11 APR 2014
- 3 REVISED FOR TENDER 13 JUNE 2014
- 4 ISSUED FOR TENDER 11 JULY 2014



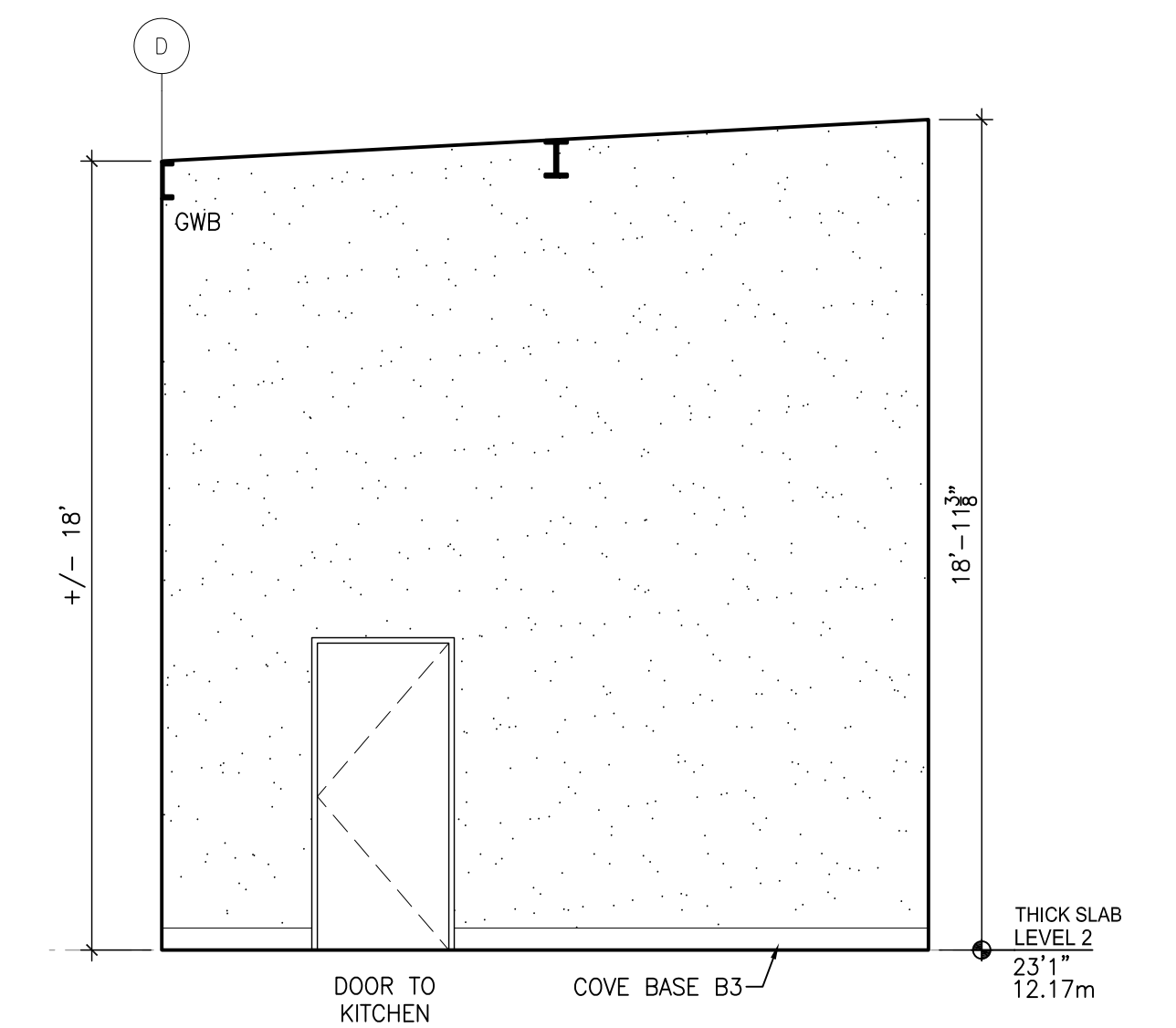
9 KITCHEN STORAGE 139 - EAST ELEV.  
A4.3 1/4" = 1'



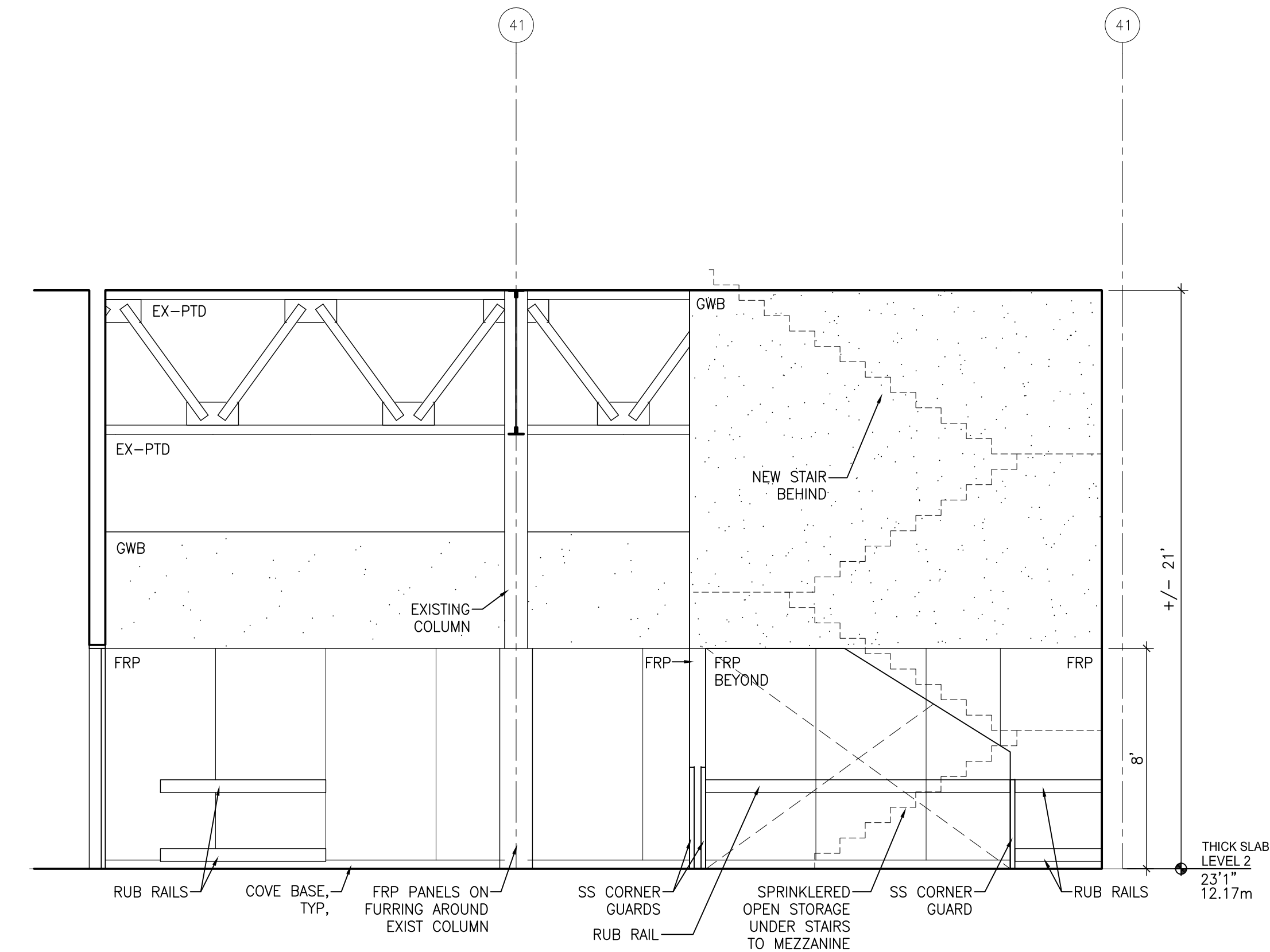
8 KITCHEN STORAGE 139 - SOUTH ELEV.  
A4.3 1/4" = 1'



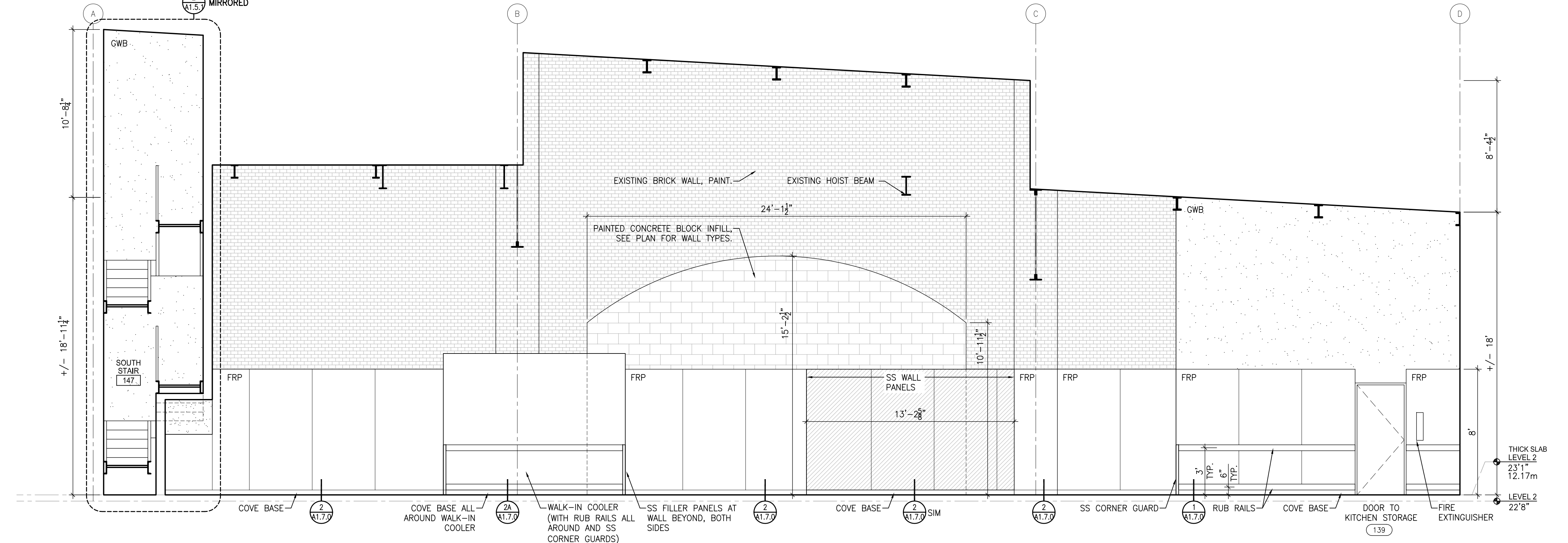
7 KITCHEN STORAGE 139 - WEST ELEV.  
A4.3 1/4" = 1'



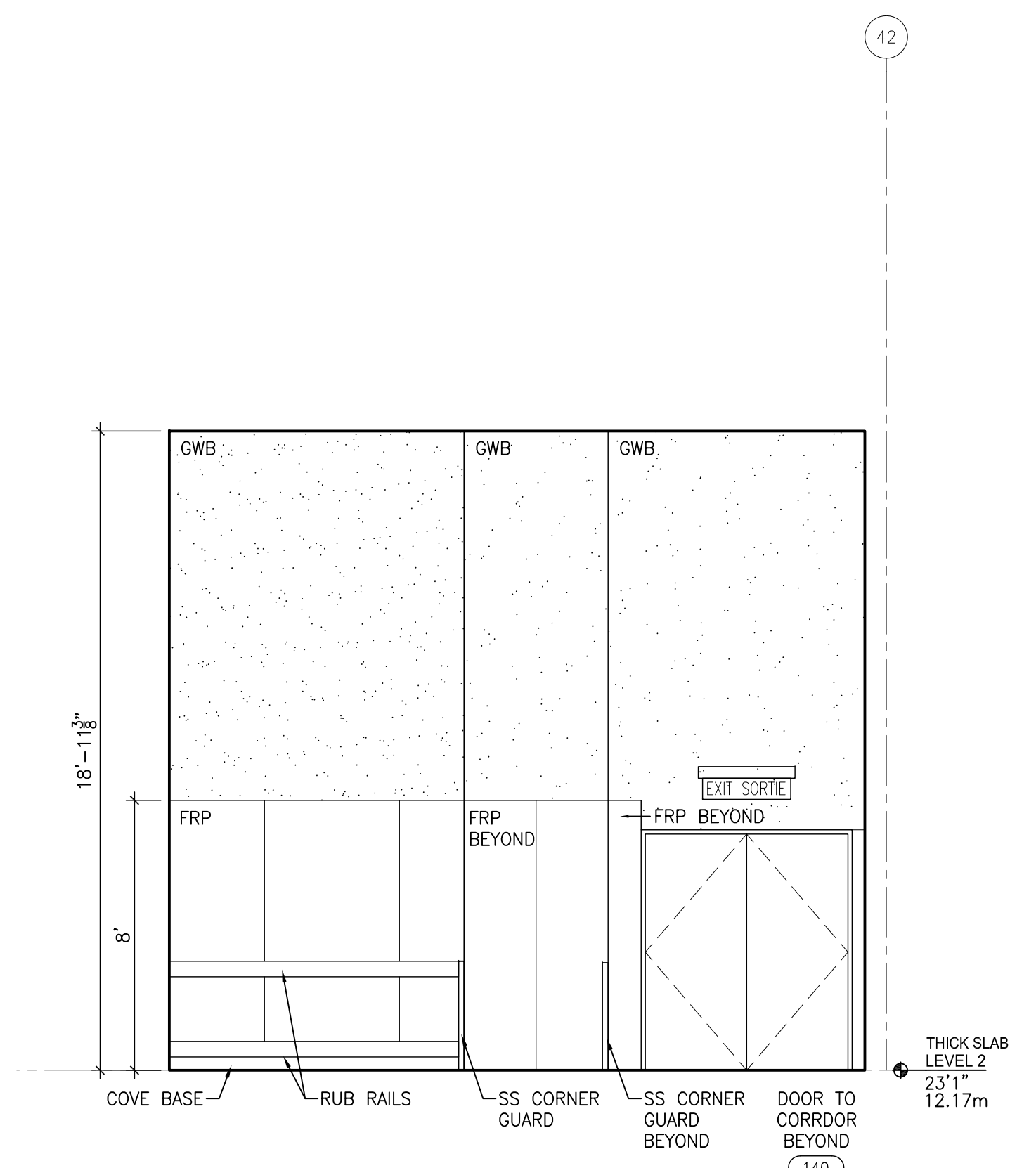
6 KITCHEN STORAGE 139 - NORTH ELEV.  
A4.3 1/4" = 1'



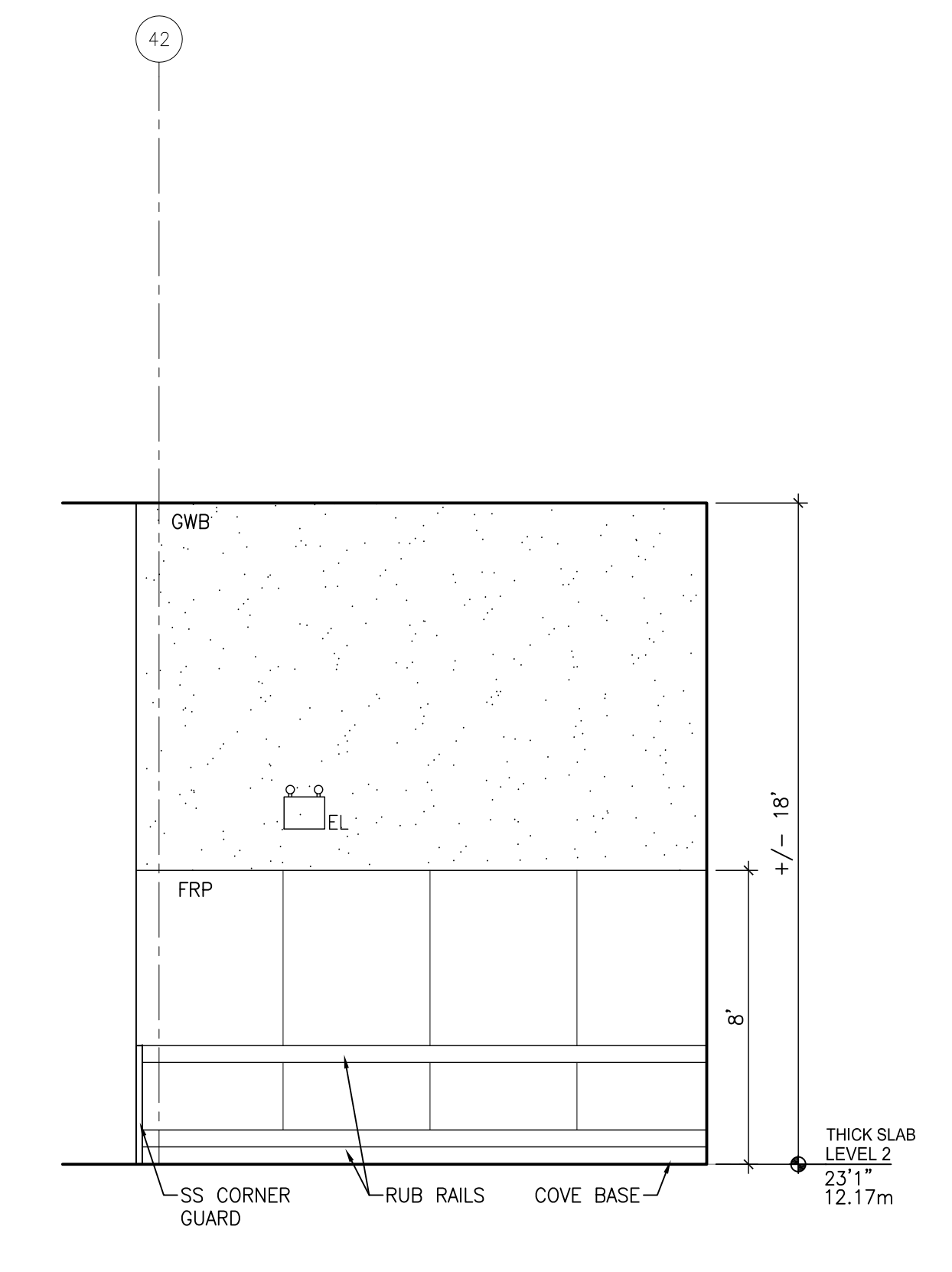
5 KITCHEN 140 - EAST ELEVATION  
A4.3 1/4" = 1'



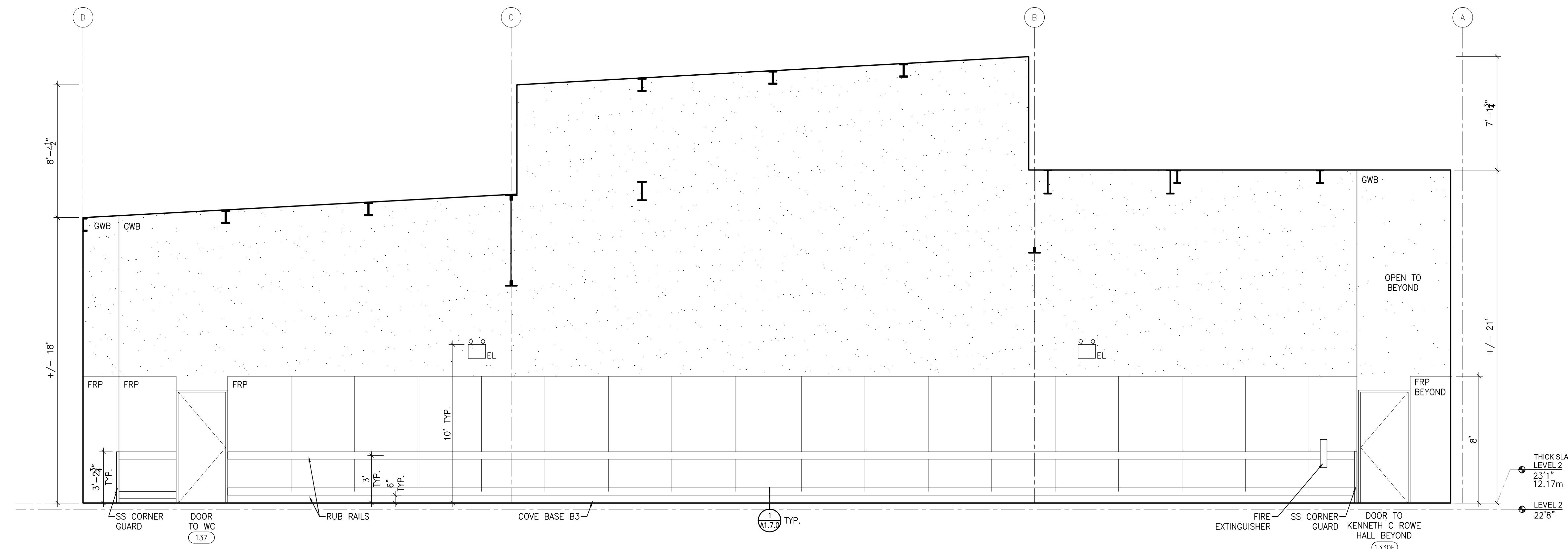
4 KITCHEN 140 - SOUTH ELEVATION  
A4.3 1/4" = 1'



3 KITCHEN 140 - WEST ELEVATION  
A4.3 1/4" = 1'



2 KITCHEN 140 - WEST ELEVATION  
A4.3 1/4" = 1'



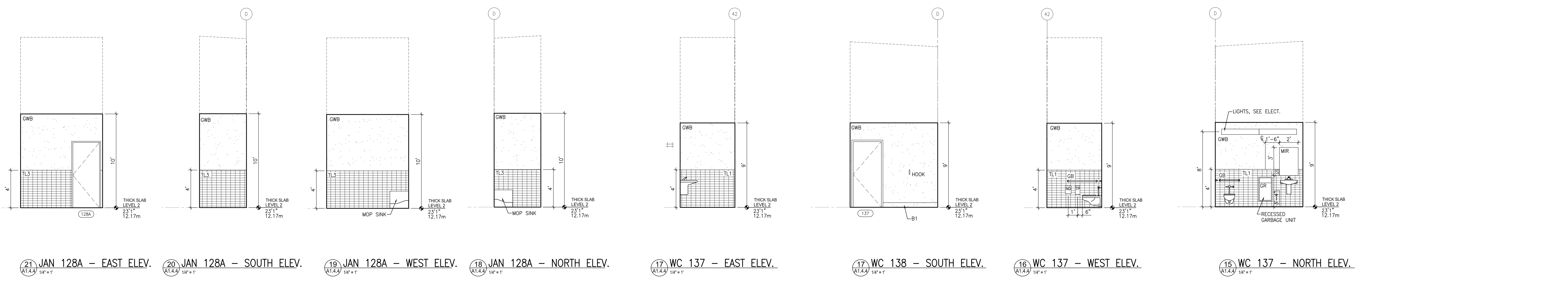
1 KITCHEN 140 - NORTH ELEVATION  
A4.3 1/4" = 1'



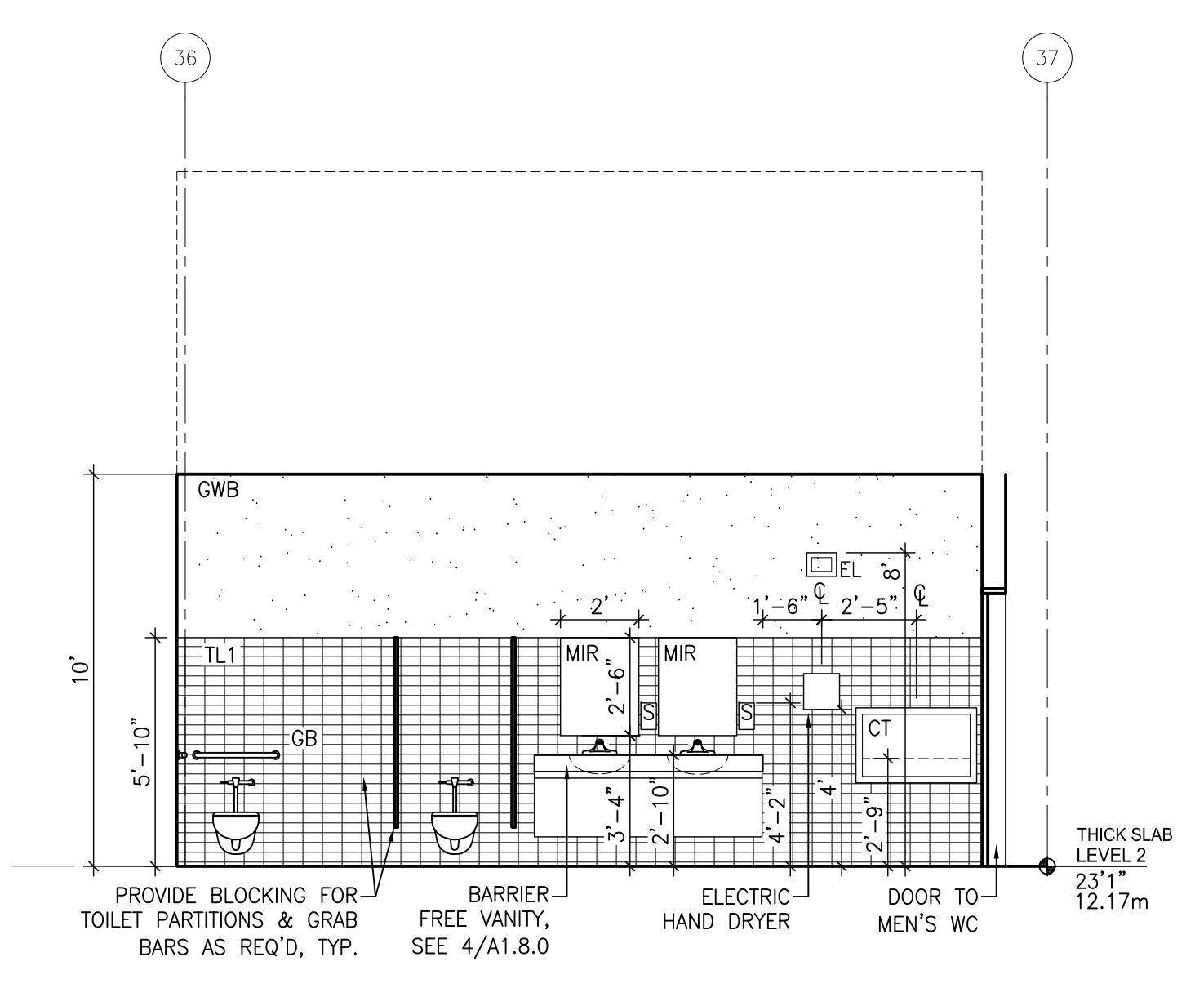
Luc Bouliane Architect Inc + David J Agro Architect Inc  
1259 Dundas Street West, Toronto, M6J 1X6 Tel: 416 300 0656  
CANADIAN MUSEUM OF IMMIGRATION AT PEIR 21

project no: 13-005  
scale: 1/4" = 1'  
drawn by: LB / DUA  
reviewed by: 28/04/11  
date:

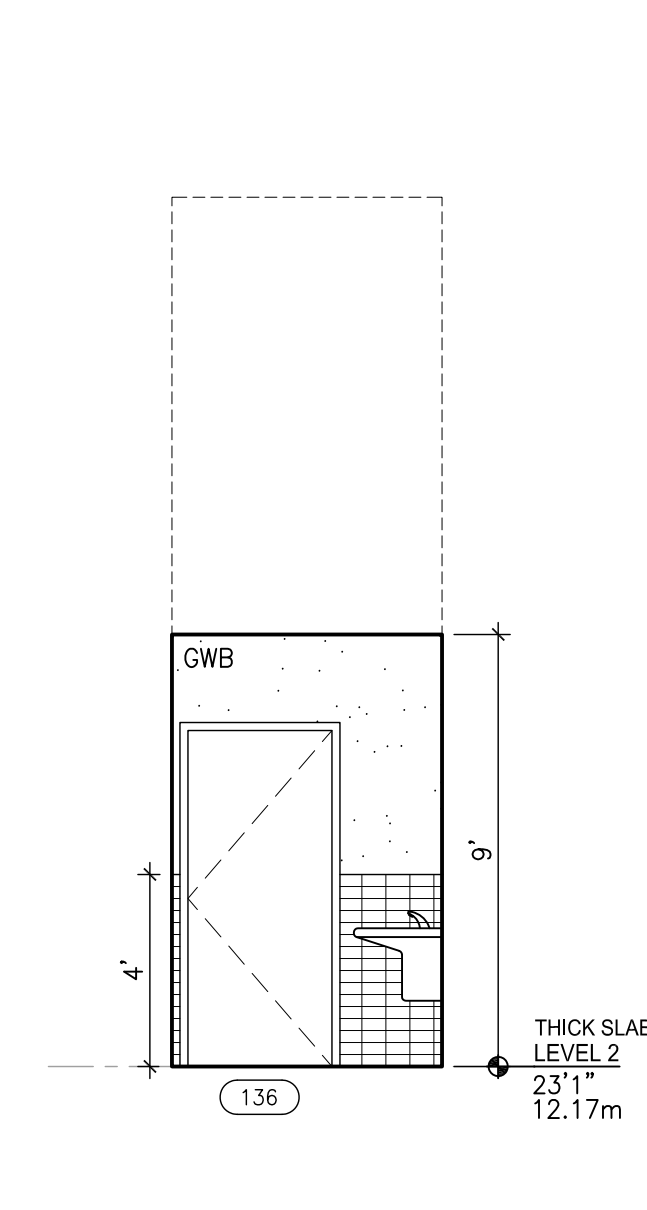




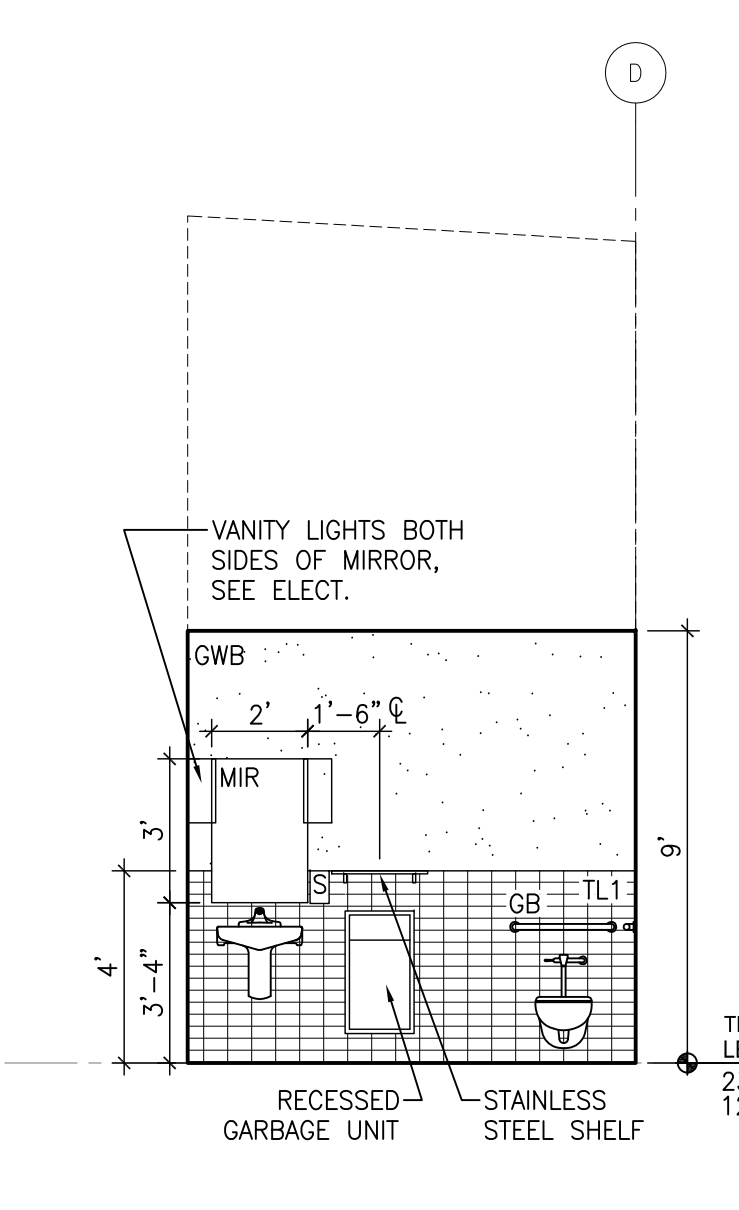
21 JAN 128A - EAST ELEV. 20 JAN 128A - SOUTH ELEV. 19 JAN 128A - WEST ELEV. 18 JAN 128A - NORTH ELEV. 17 WC 137 - EAST ELEV. 17 WC 138 - SOUTH ELEV. 16 WC 137 - WEST ELEV. 15 WC 137 - NORTH ELEV.



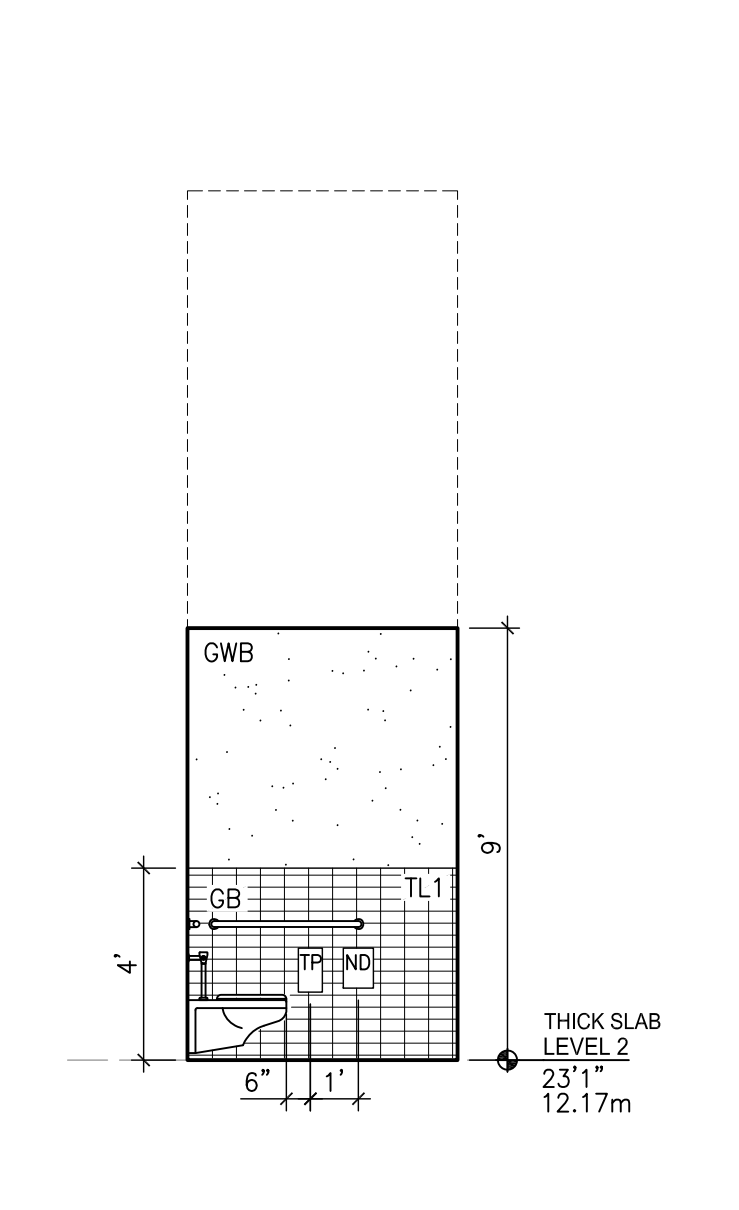
9 MEN'S WC 128 - EAST ELEV.



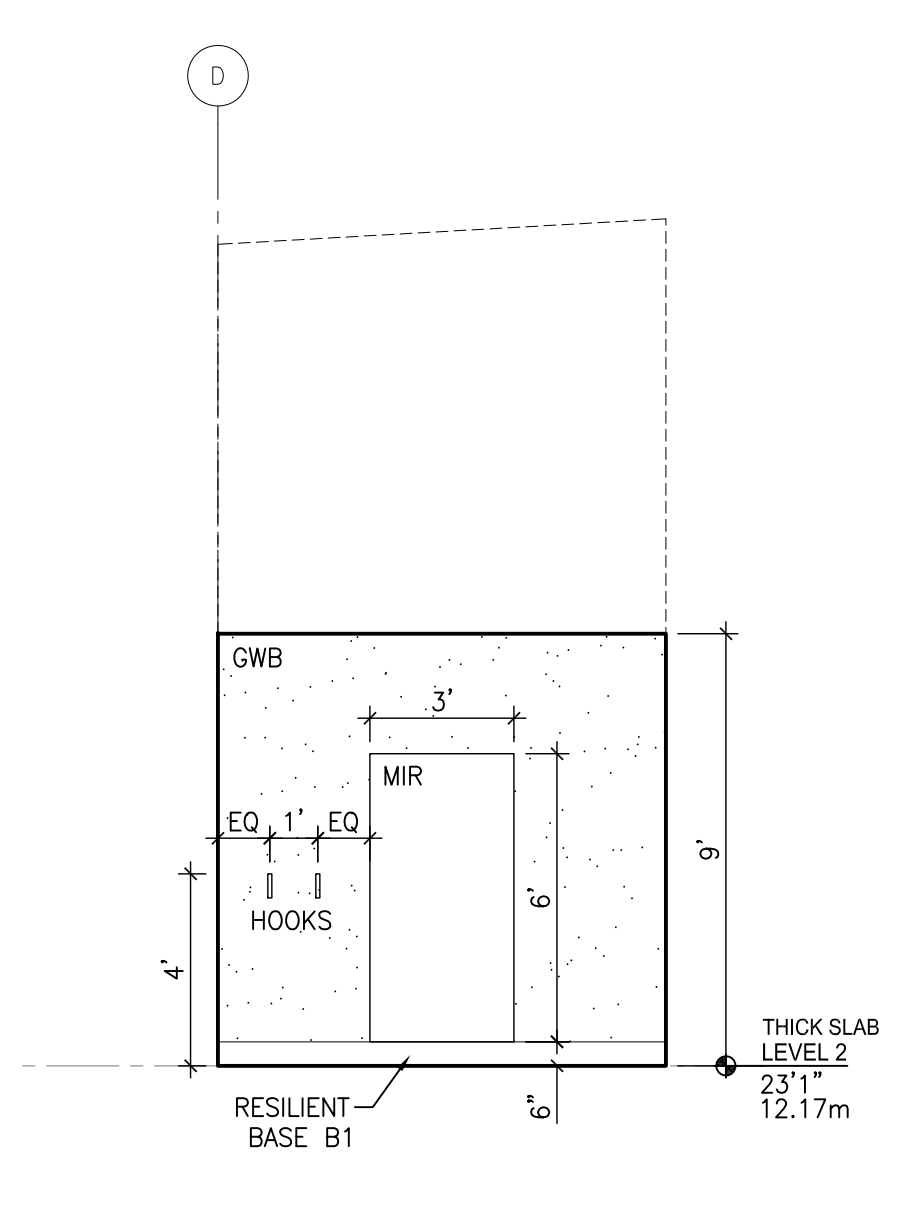
14 WC 136 - EAST ELEV.



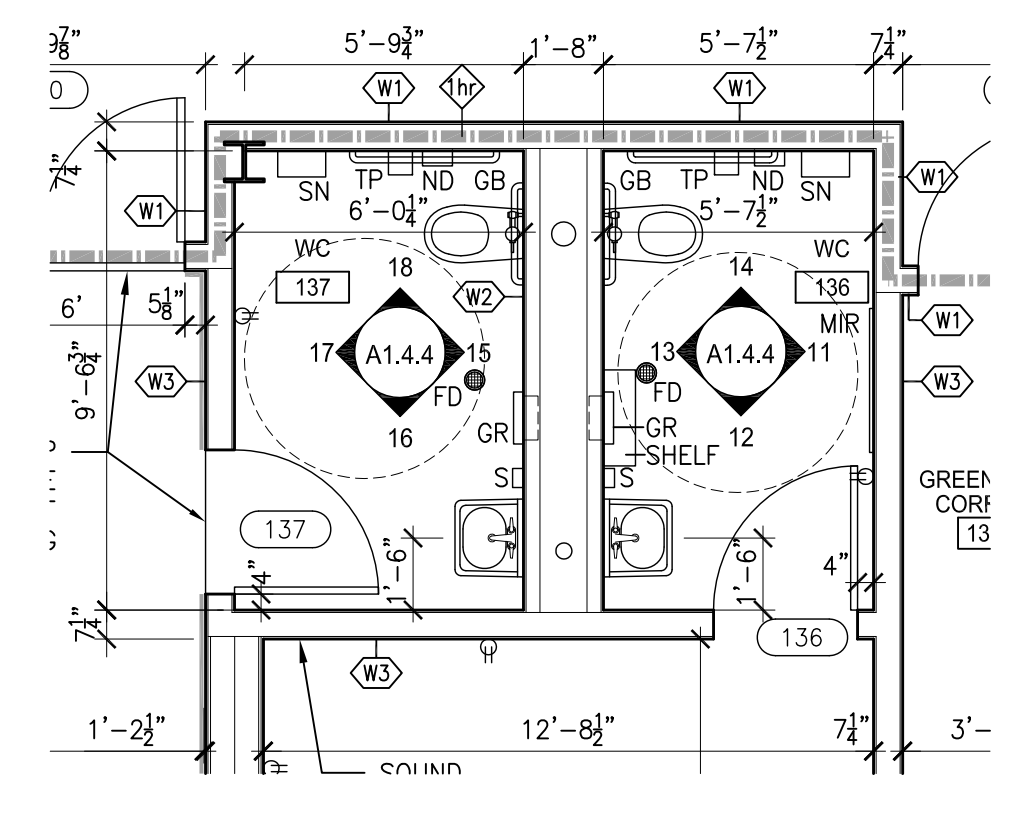
13 WC 136 - SOUTH ELEV.



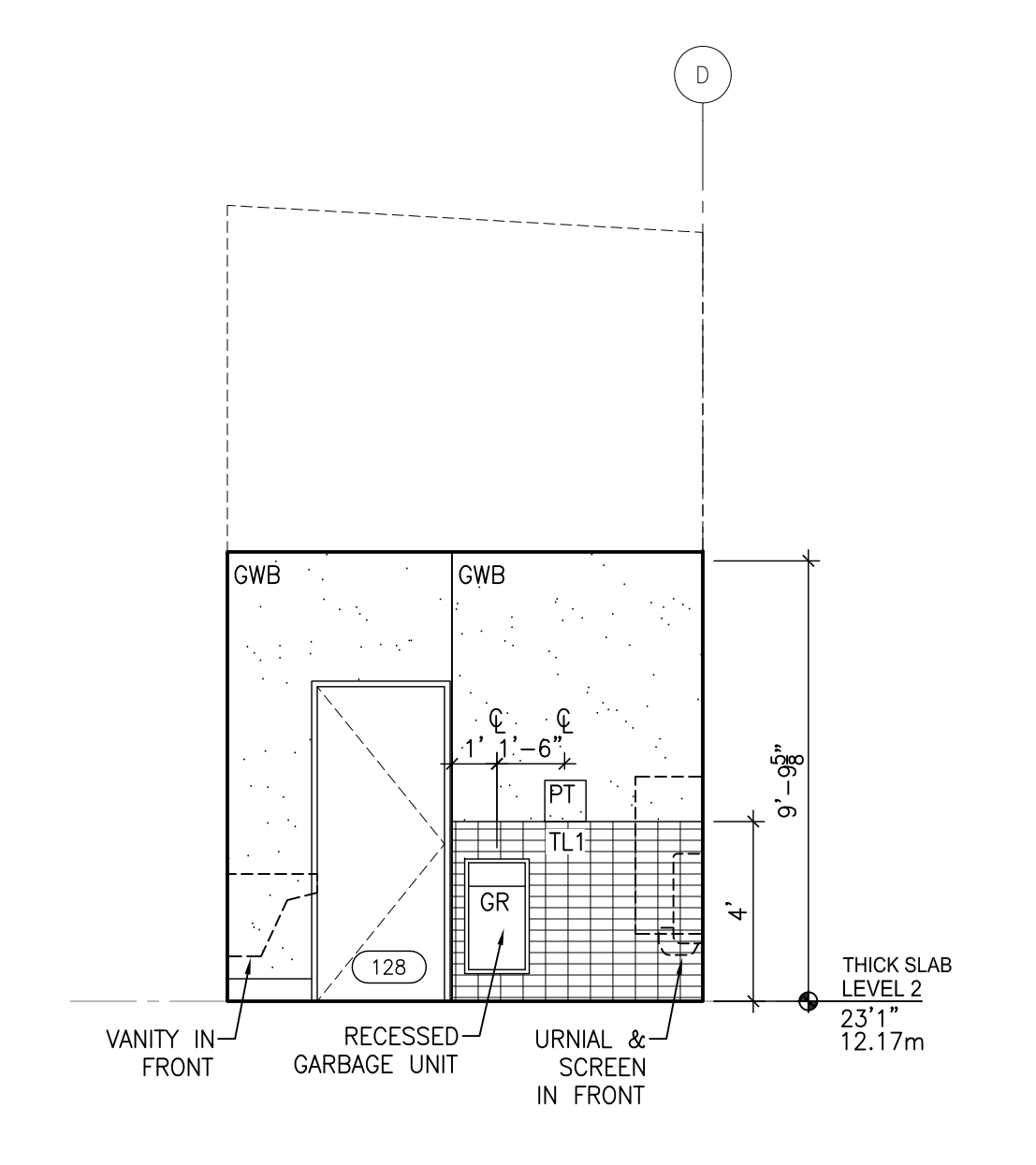
12 WC 136 - WEST ELEV.



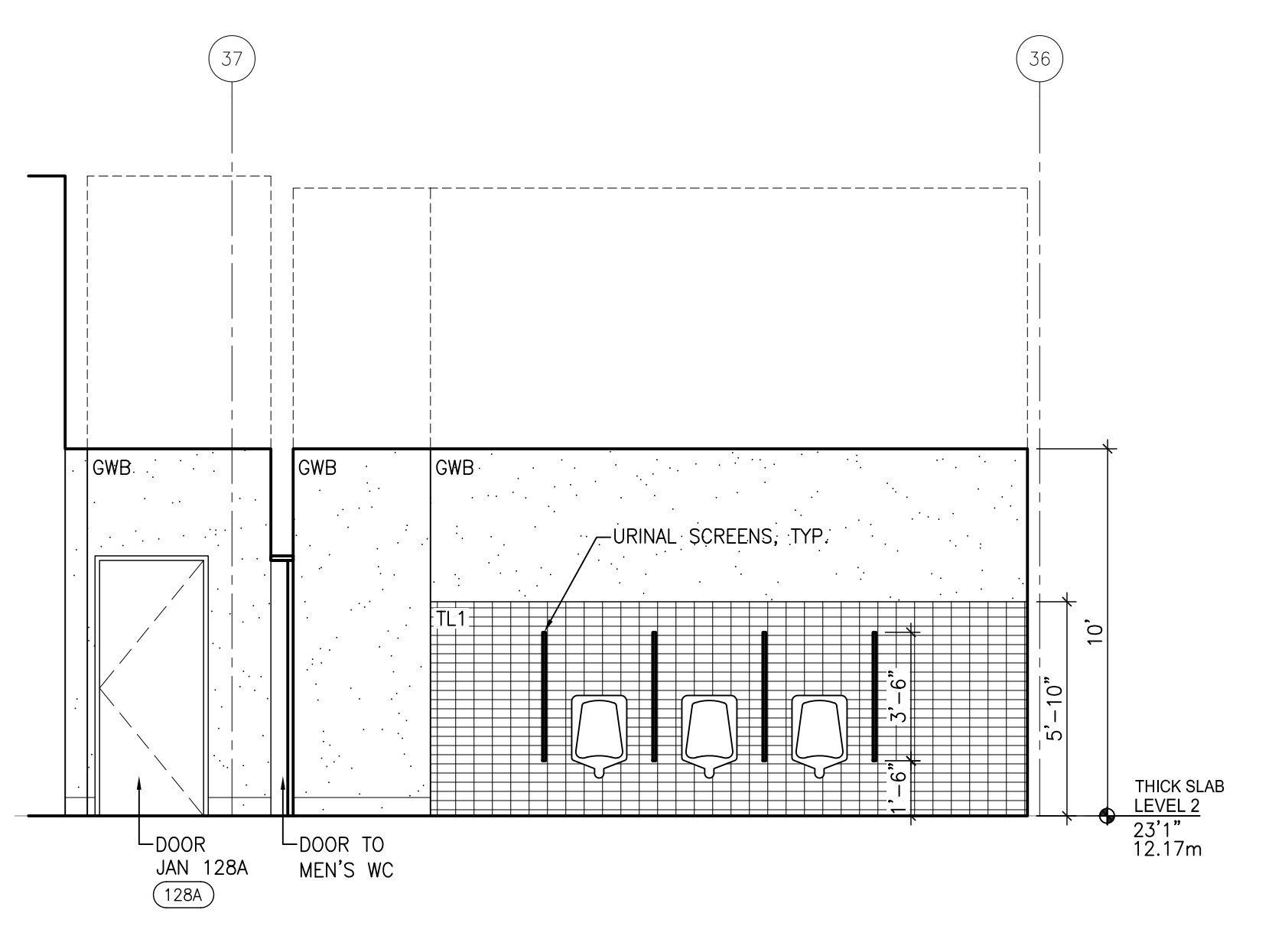
11 WC 136 - NORTH ELEV.



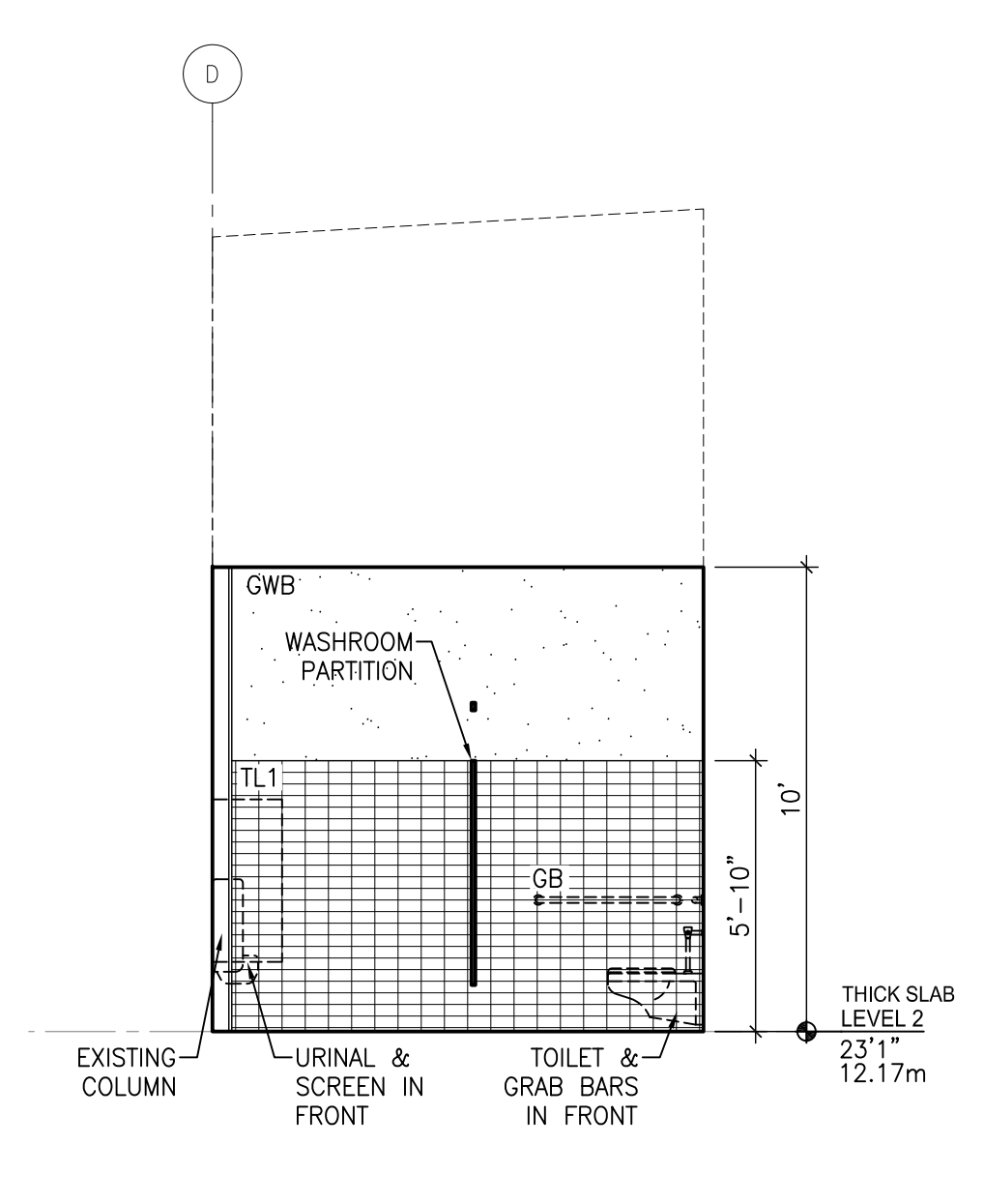
10 WC 136 & 137 - PLAN



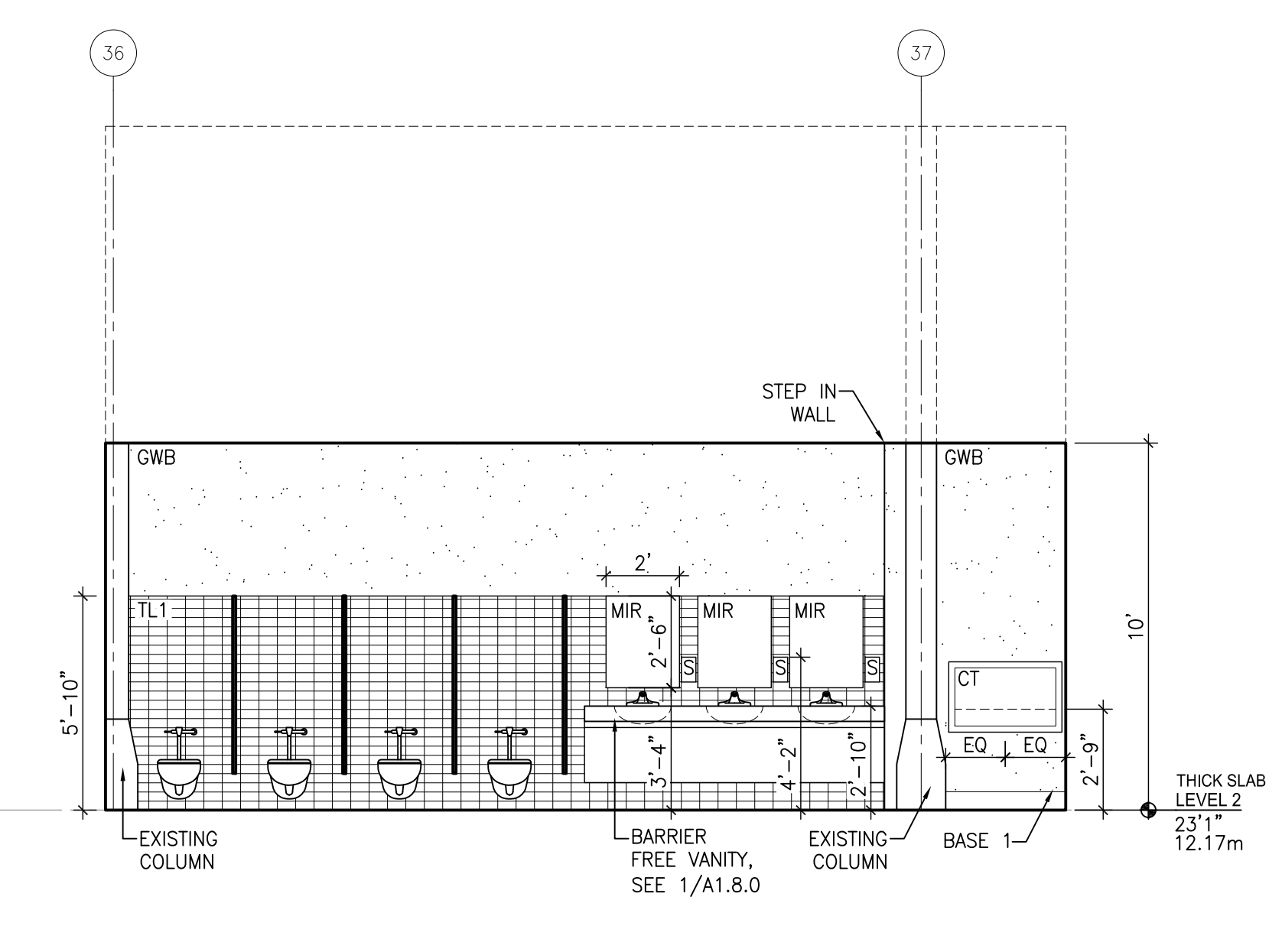
8 MEN'S WC 128 - SOUTH ELEV.



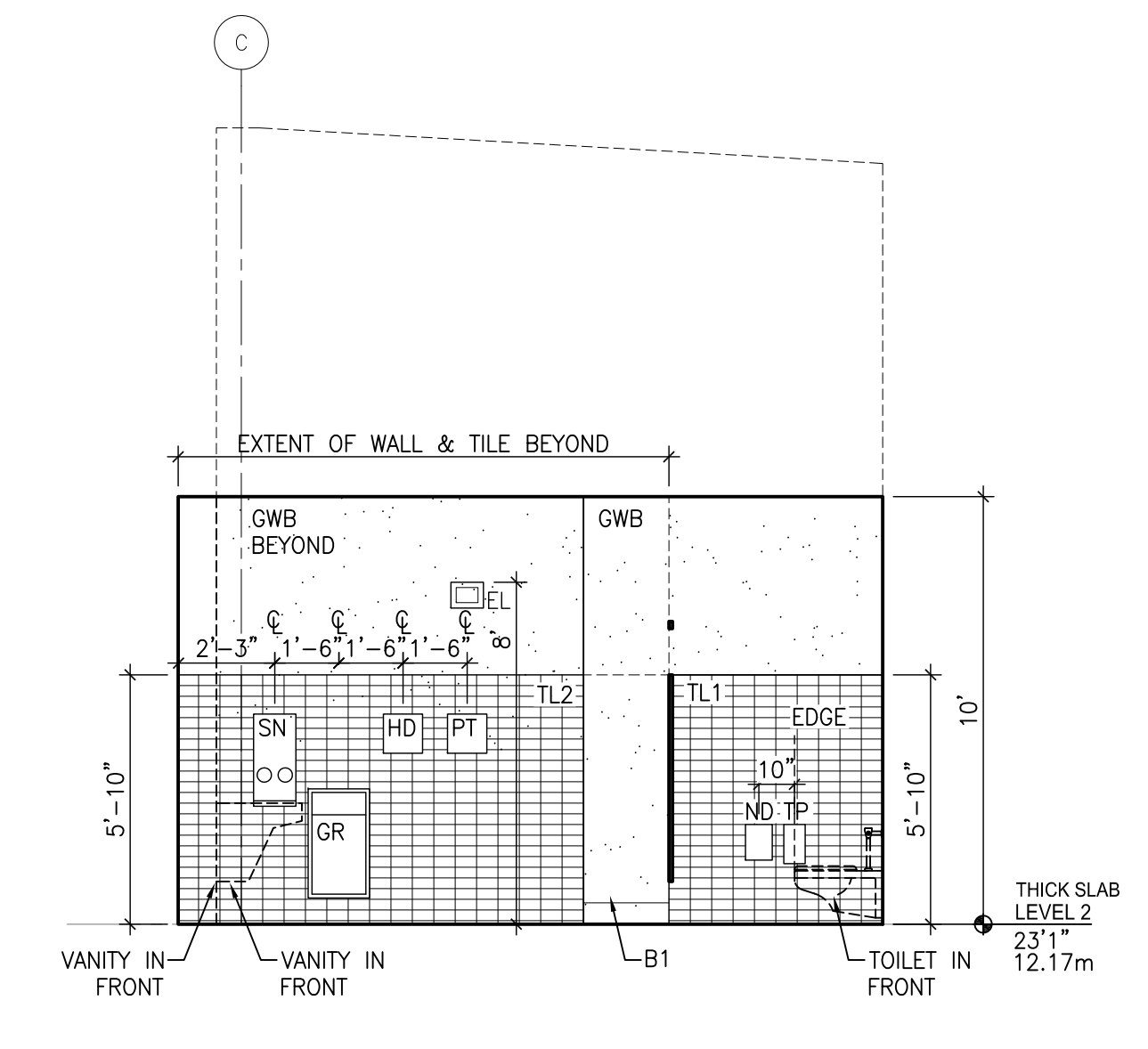
7 MEN'S WC 128 - WEST ELEV.



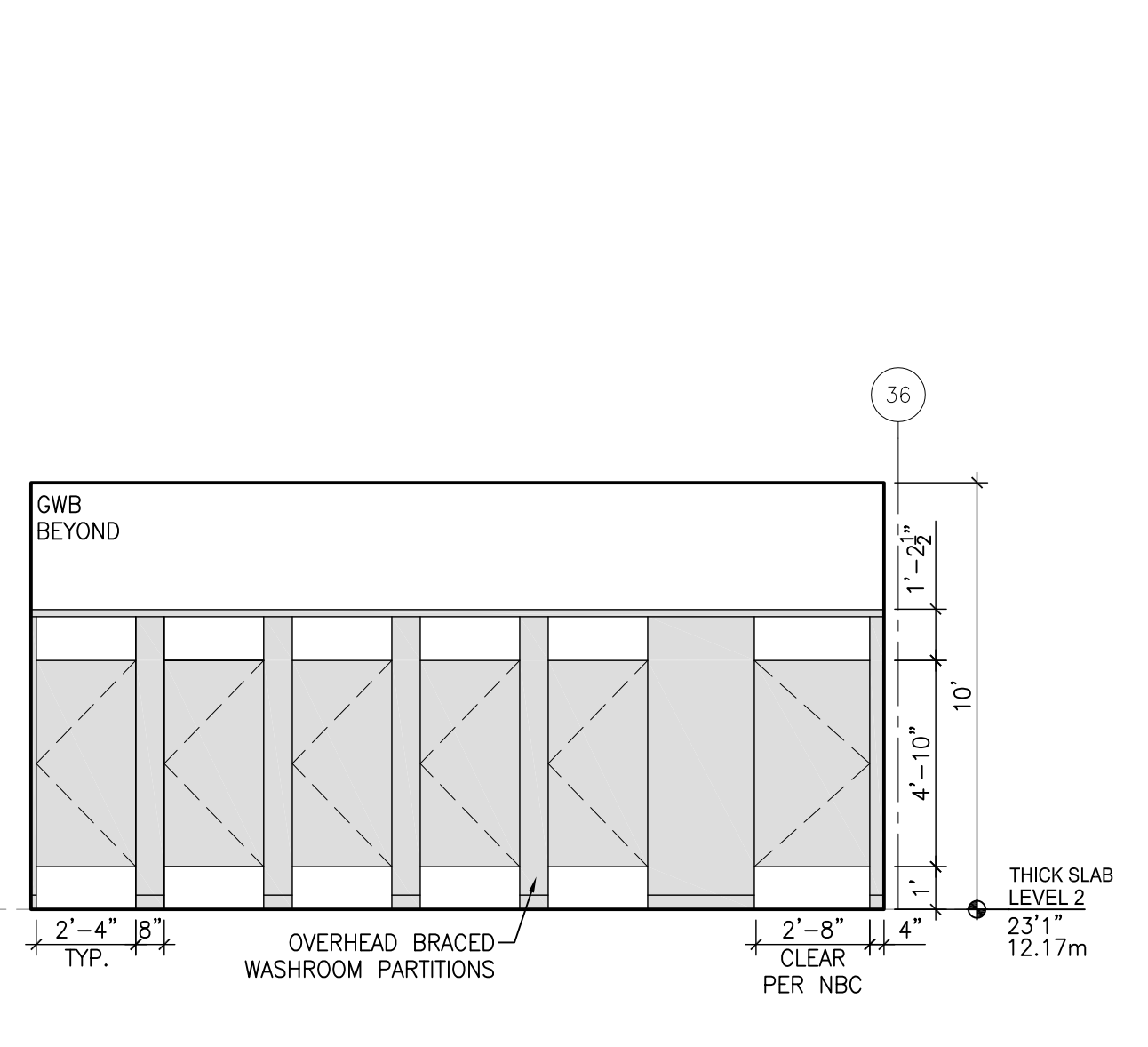
6 MEN'S WC 128 - NORTH ELEV.



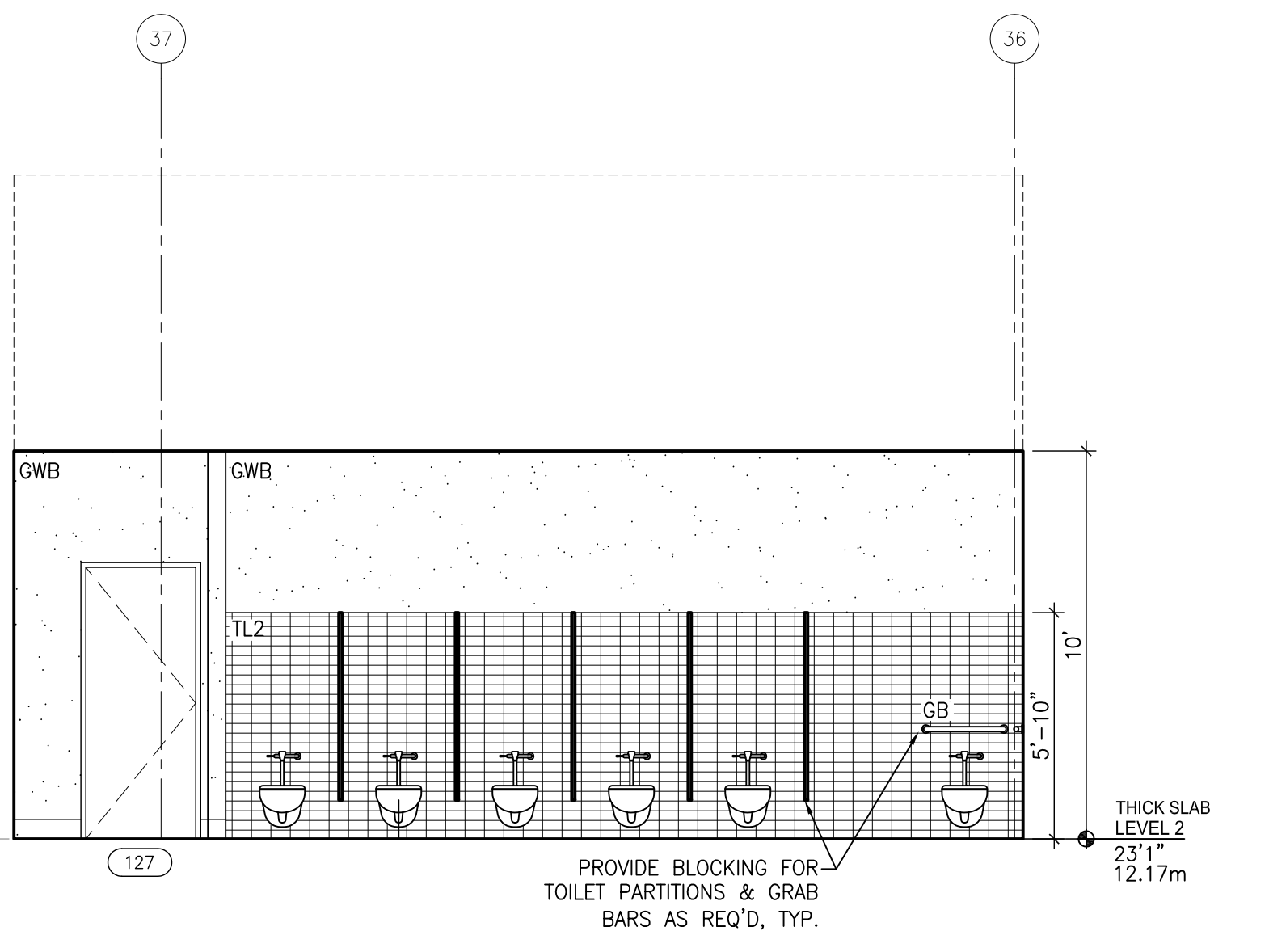
5 WOMEN'S WC 127 - EAST ELEV.



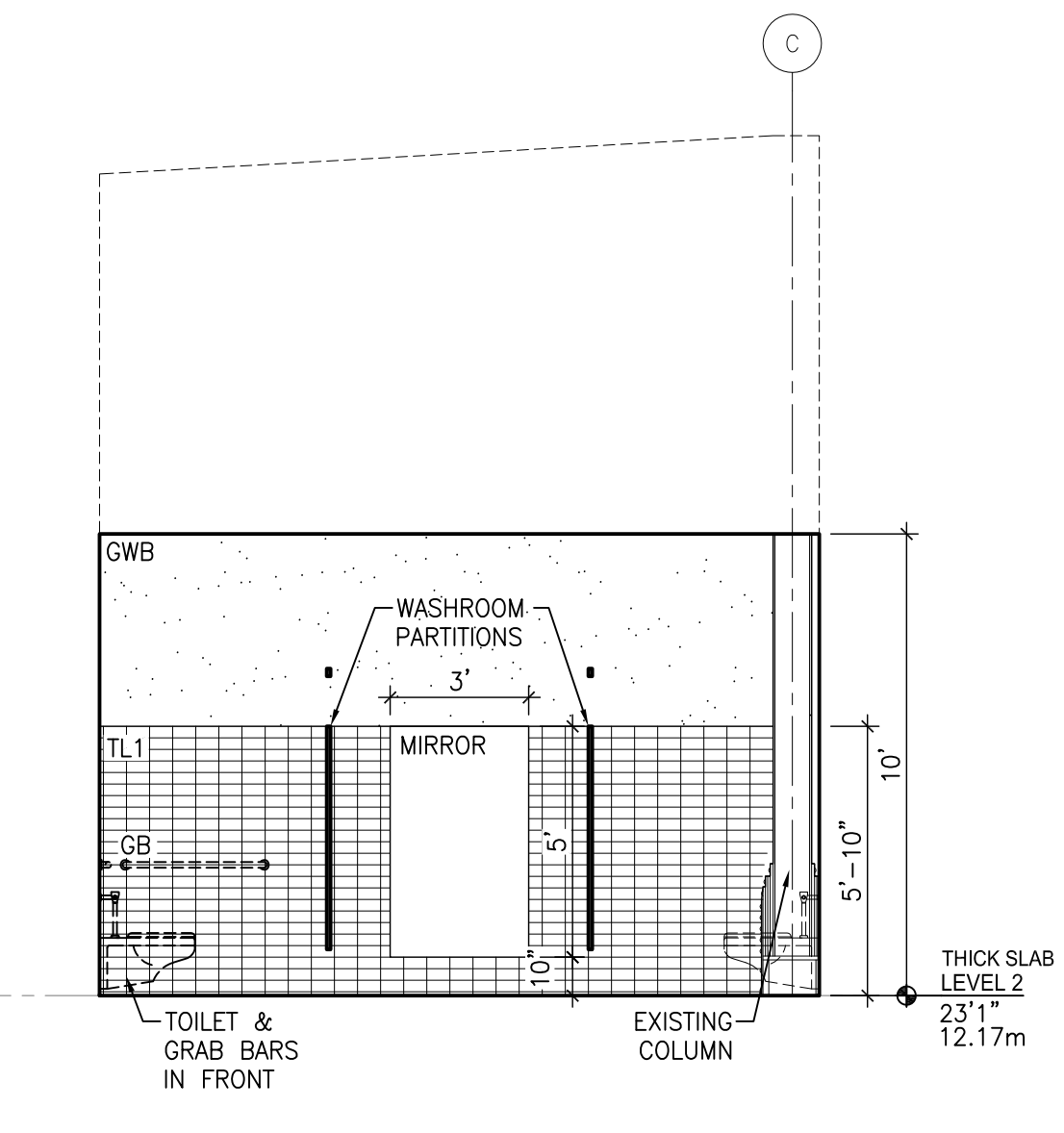
4 WOMEN'S WC 127 - SOUTH ELEV.



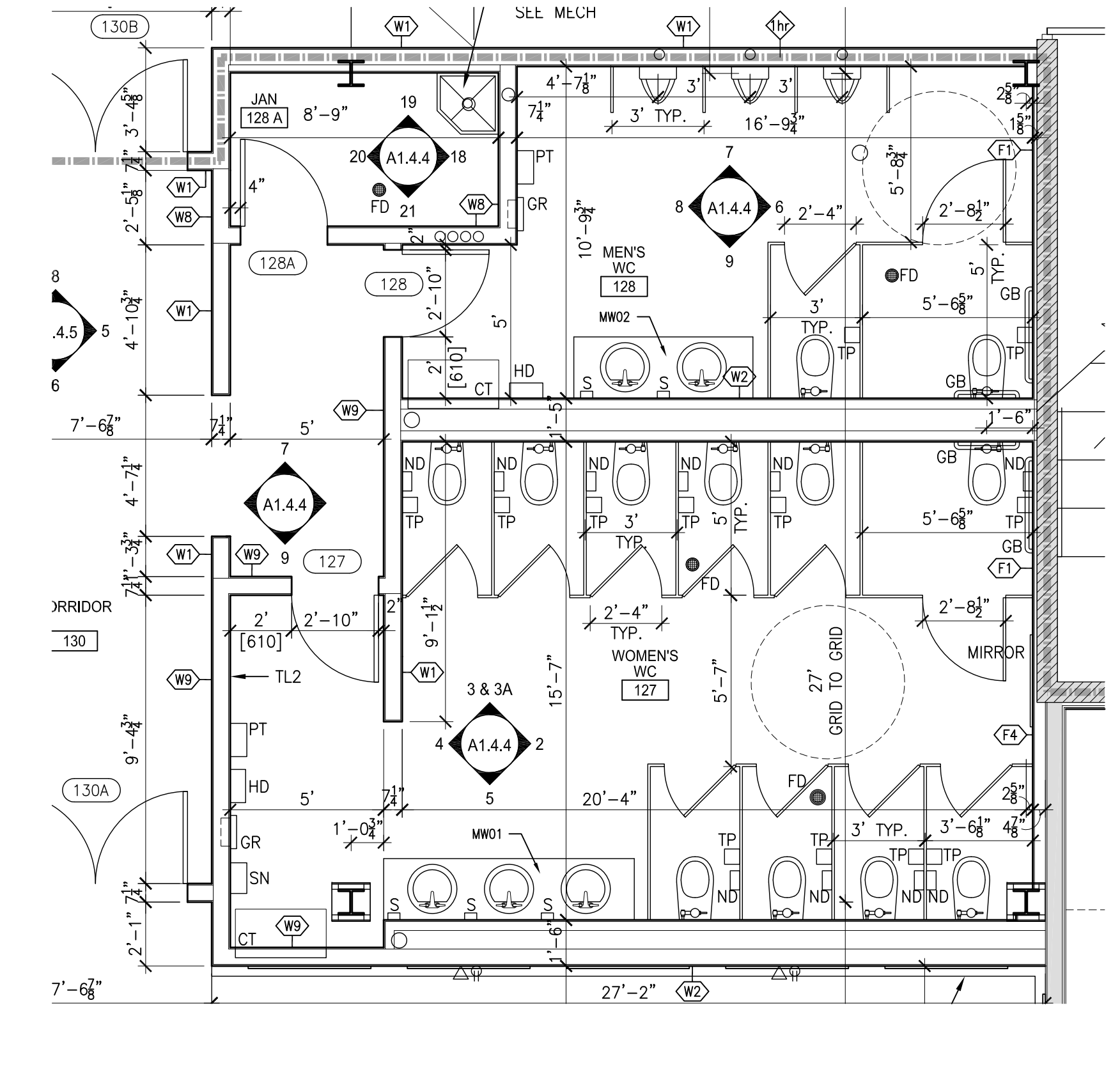
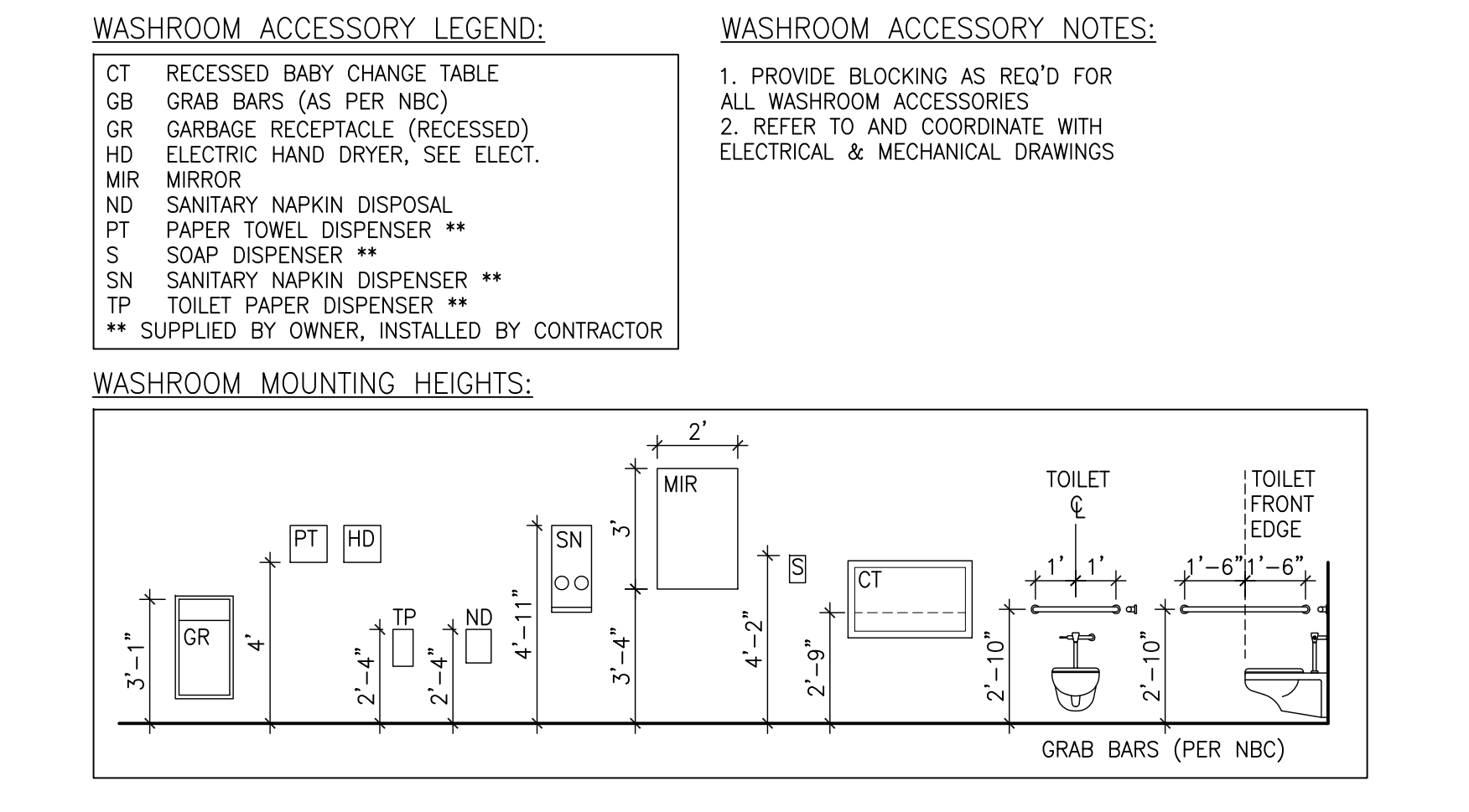
3A WOMEN'S WC 127 - WEST ELEV. - PARTITIONS



3 WOMEN'S WC 127 - WEST ELEV.



2 WOMEN'S WC 127 - NORTH ELEV.



1 WC 127 & 128 - PLAN

IMPERIAL SCALE DRAWING  
FIRST FLOOR ELEV. 00.00m

1 ISSUED FOR SCHEDULE 30 JAN 2014  
2 REVISIONS FOR DESIGN DEVELOPMENT 11 APR 2014  
3 REVISIONS FOR TENDER 13 JUNE 2014  
4 ISSUED FOR TENDER 11 JULY 2014

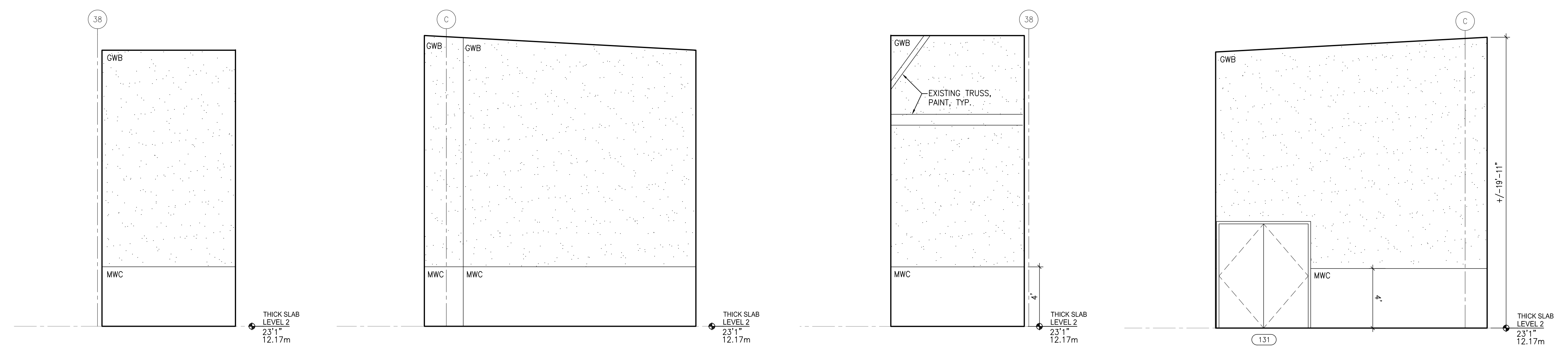


Luc Bouliane Architect Inc + David J Agro Architect Inc  
1259 Dundas Street West, Toronto, M6J 1X6 Tel: 416 300 0656

CANADIAN MUSEUM OF IMMIGRATION AT PEIR 21

project no: 13-005  
scale: 1/4" = 1'  
drawn by: LB / QJA  
reviewed by: 28/04/11  
date:



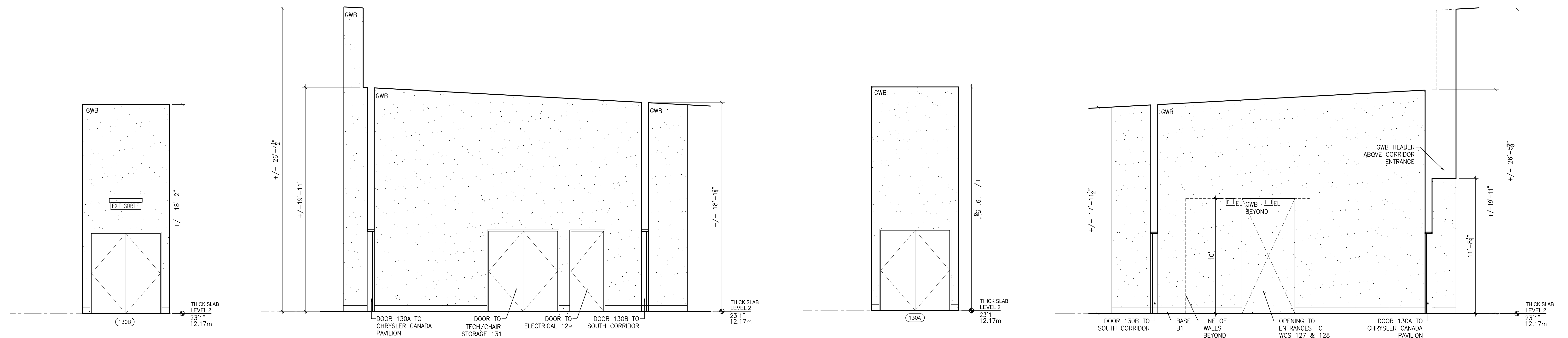


12 TECH/CHAIRS 131 - WEST ELEV.  
A1.4.5 1/4" = 1'

11 STORAGE - TECH/CHAIRS 131 - SOUTH ELEV.  
A1.4.5 1/4" = 1'

10 TECH/CHAIRS 131 - EAST ELEV.  
A1.4.5 1/4" = 1'

9 STORAGE - TECH/CHAIRS 131 - NORTH ELEV.  
A1.4.5 1/4" = 1'

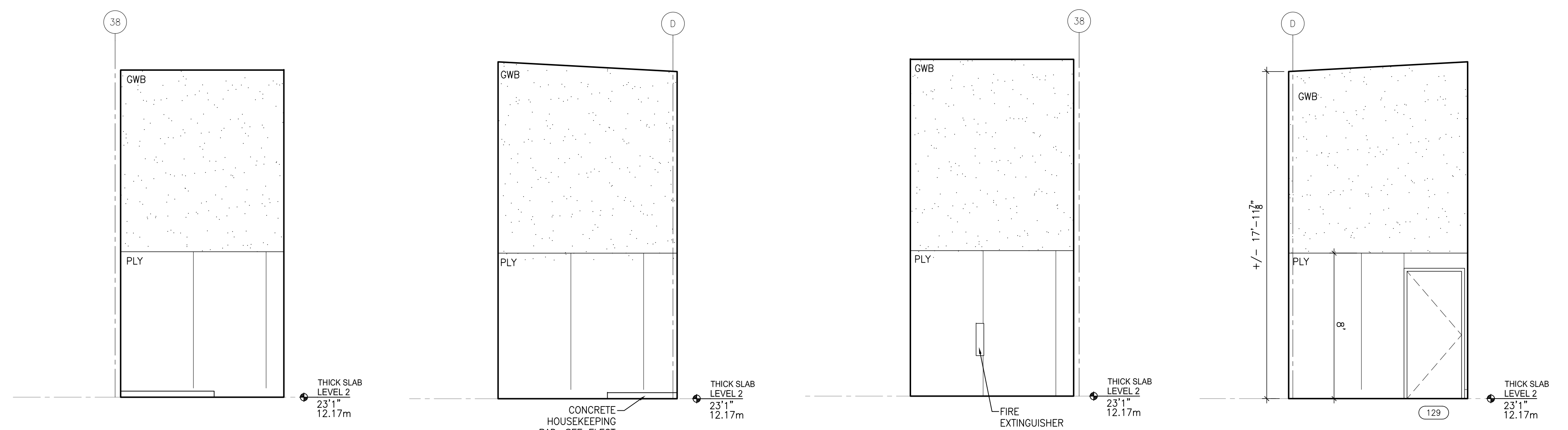


8 CORRIDOR 130 - WEST ELEV.  
A1.4.5 1/4" = 1'

7 CORRIDOR 130 - SOUTH ELEV.  
A1.4.5 1/4" = 1'

6 CORRIDOR 130 - EAST ELEV.  
A1.4.5 1/4" = 1'

5 CORRIDOR 130 - NORTH ELEV.  
A1.4.5 1/4" = 1'



4 ELECTRICAL 129 - WEST ELEV.  
A1.4.5 1/4" = 1'

3 ELECTRICAL 129 - SOUTH ELEV.  
A1.4.5 1/4" = 1'

2 ELECTRICAL 129 - EAST ELEV.  
A1.4.5 1/4" = 1'

1 ELECTRICAL 129 - NORTH ELEV.  
A1.4.5 1/4" = 1'



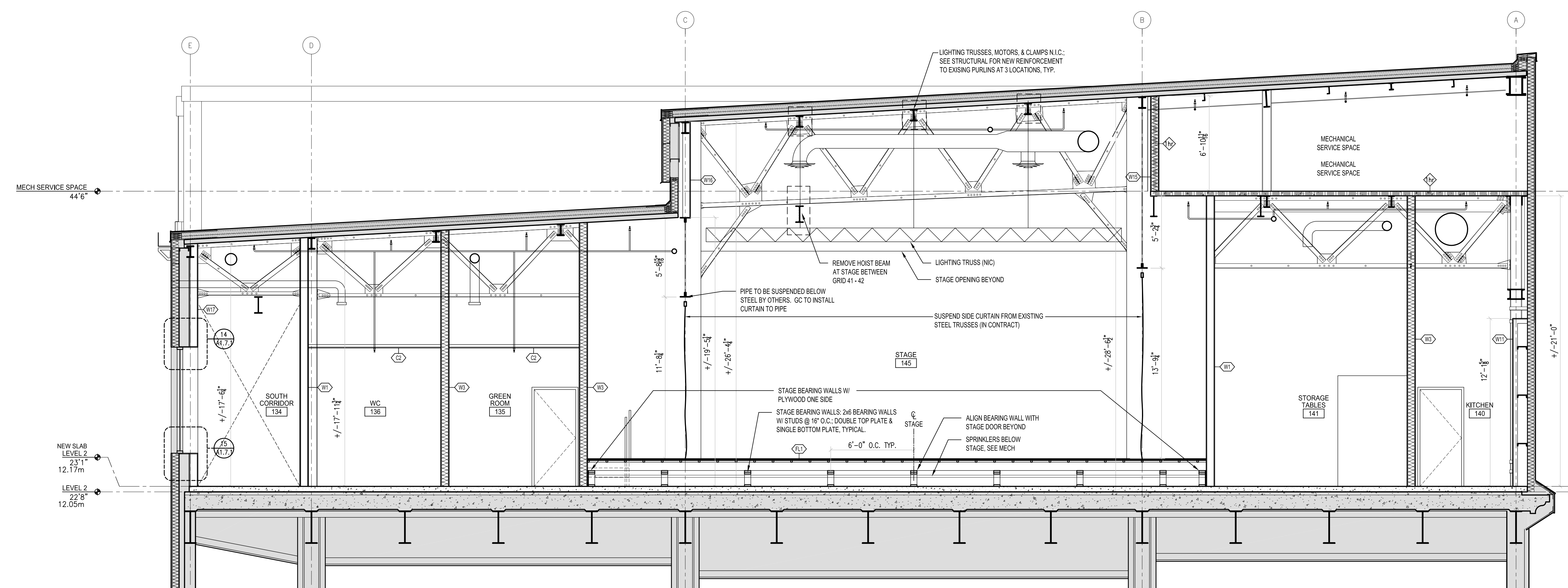
Luc Bouliane Architect Inc + David J Agro Architect Inc  
1259 Dundas Street West, Toronto, M6J 1X6 Tel: 416 300 0656

CANADIAN MUSEUM OF IMMIGRATION AT PEIR 21









SECTION 5  
1/8" = 1'

IMPERIAL SCALE DRAWING  
FIRST FLOOR ELEV. 00.00m

- 1. REVISED FOR DESIGN 11 APR 2014
- 2. REVISED FOR TENDER 13 JUNE 2014
- 3. REVISED FOR TENDER 11 JULY 2014



Luc Bouliane Architect Inc + David J Agro Architect Inc  
1259 Dundas Street West, Toronto, M6J 1X6 Tel: 416 300 0656

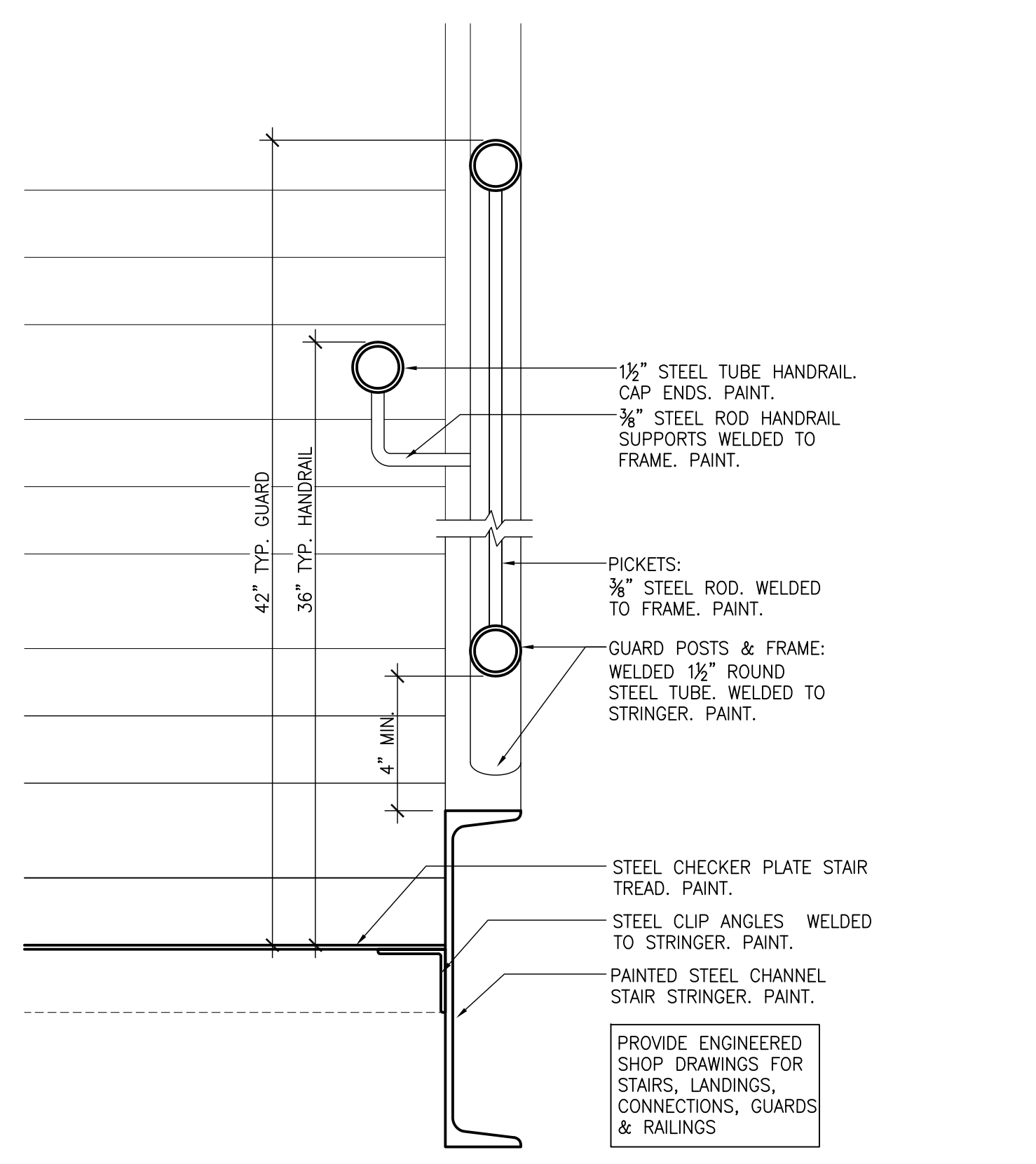
CANADIAN MUSEUM OF IMMIGRATION AT PEIR 21

project no: 13-005  
scale: 1/8" = 1'  
drawn by: LB / DUA  
reviewed by: 2014.04.11  
date:

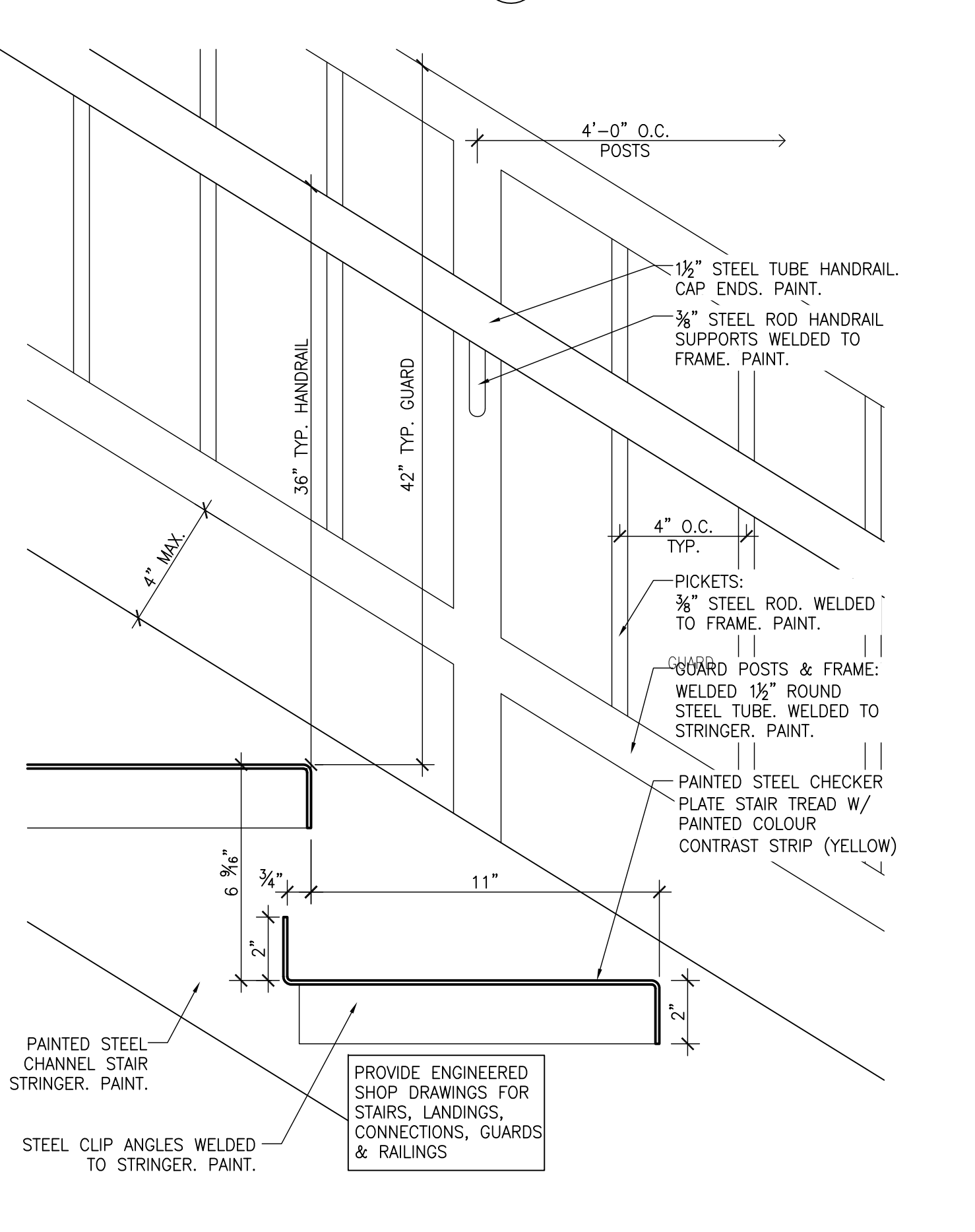
BUILDING SECTIONS

A1.5.1

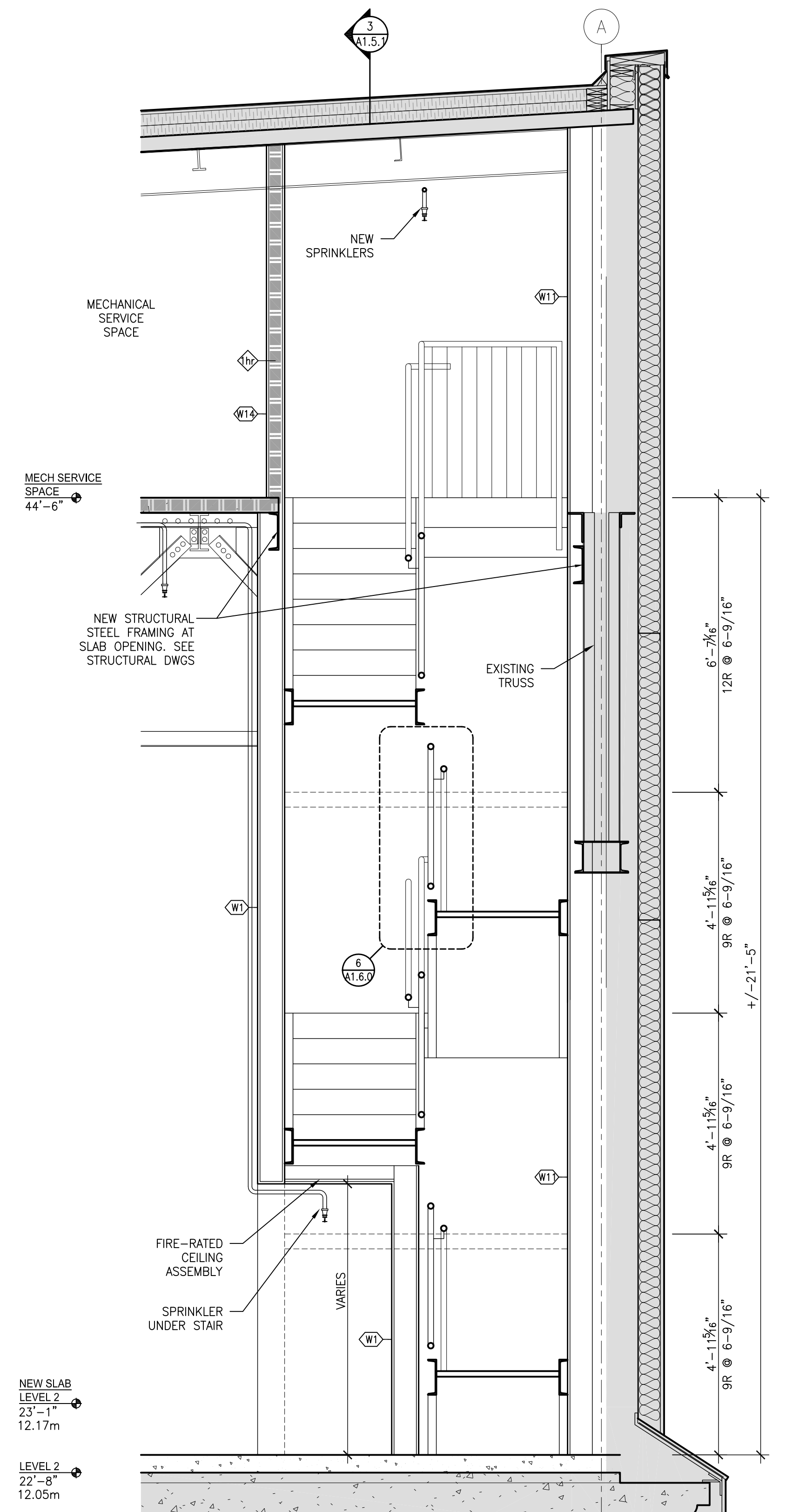




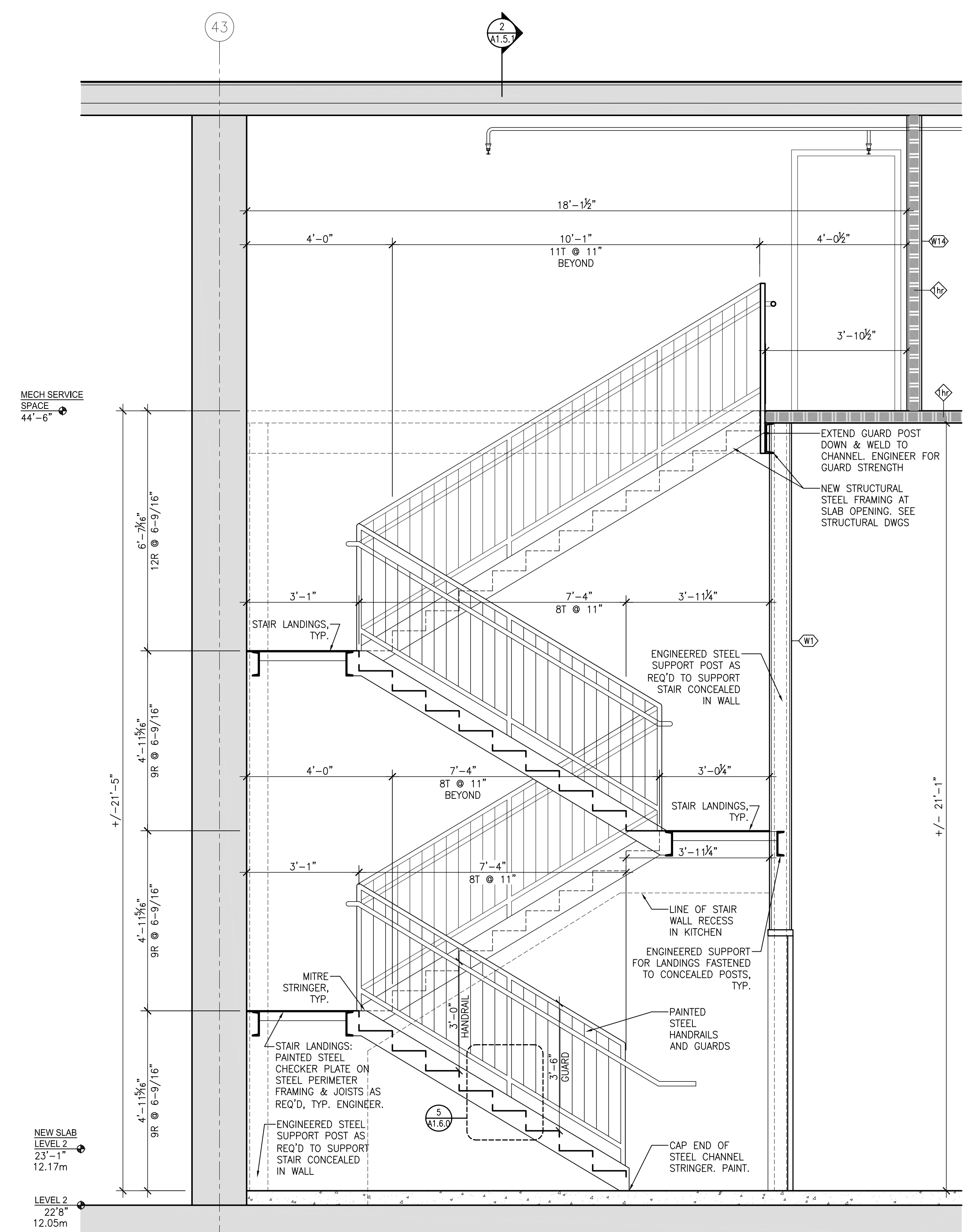
5 SECTION DETAIL AT GUARD  
 A1.6.0 3/4" = 1"



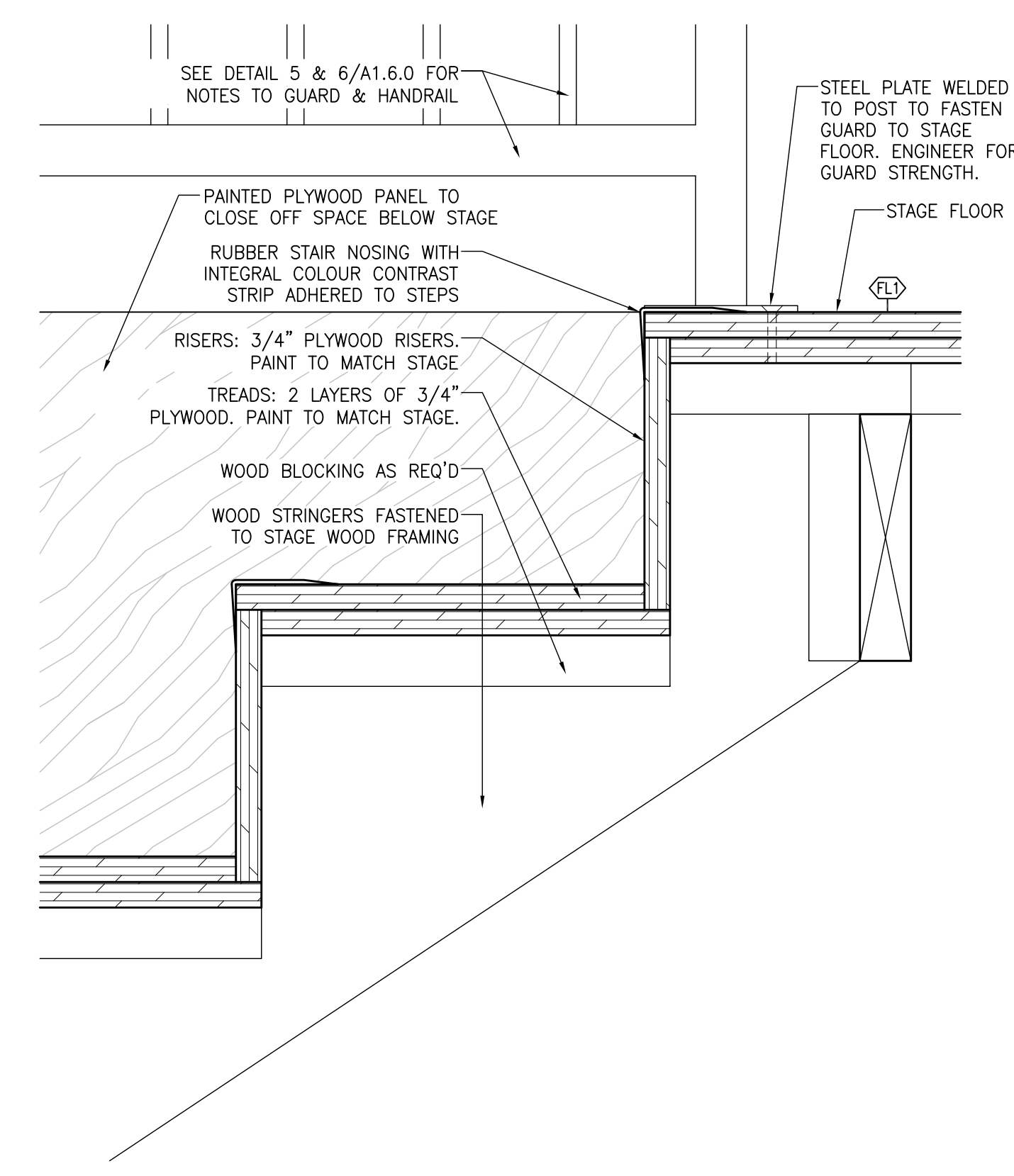
5 SECTION DETAIL AT TREAD  
 A1.6.0 3/4" = 1"



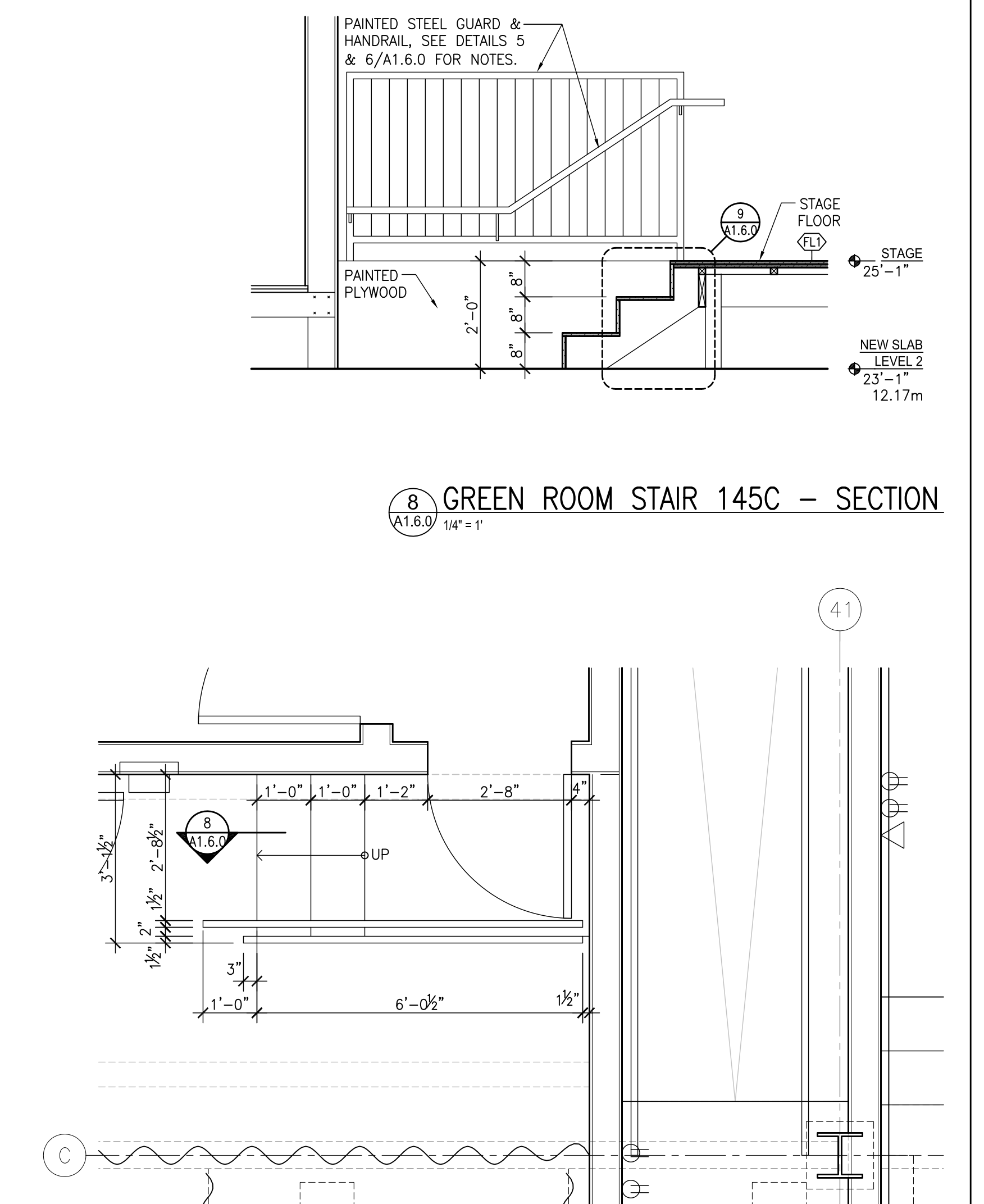
4 SOUTH STAIR 147 - SECTION 2  
 A1.6.0 1/2" = 1"



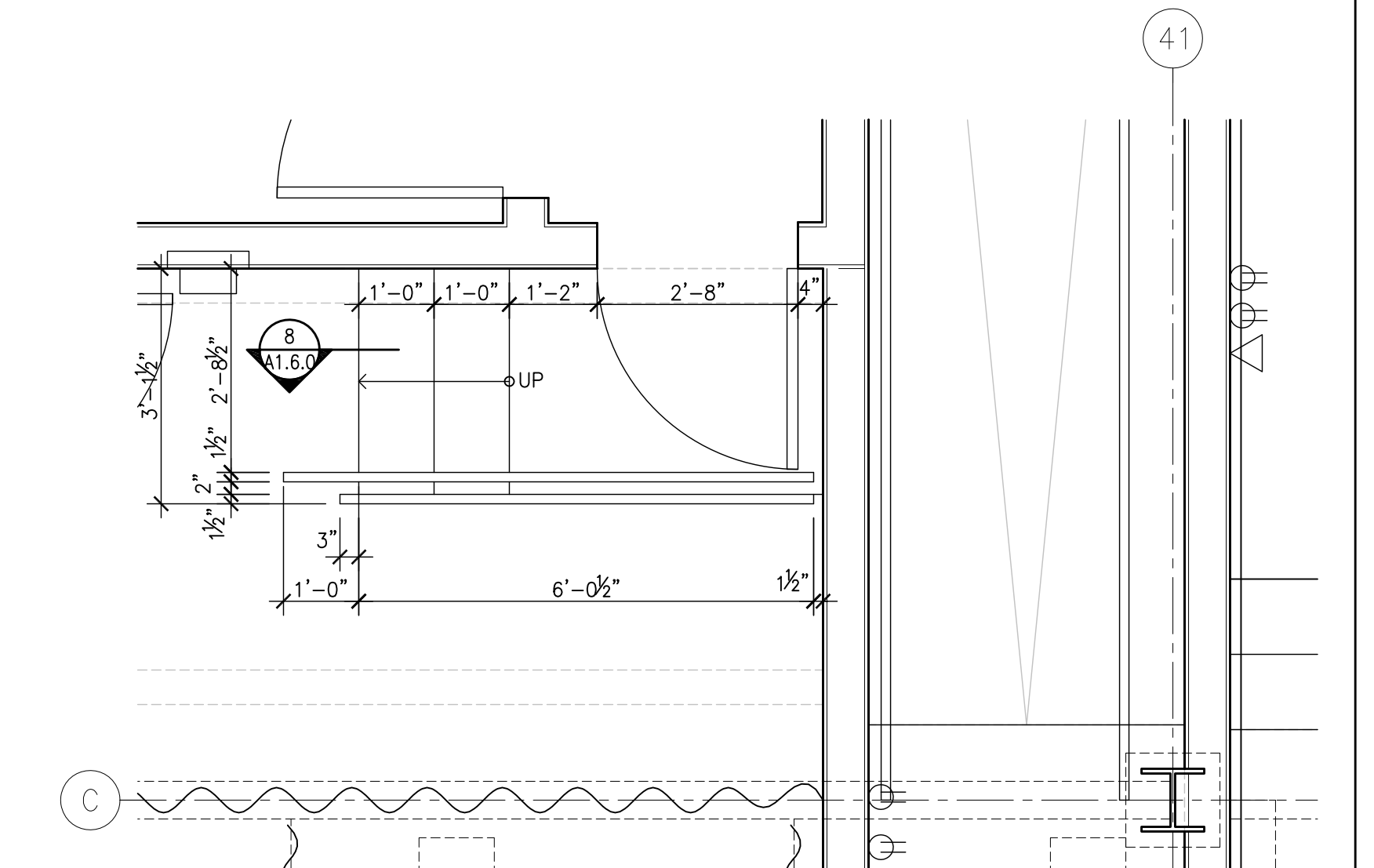
3 SOUTH STAIR 147 - SECTION 1  
 A1.6.0 1/2" = 1"



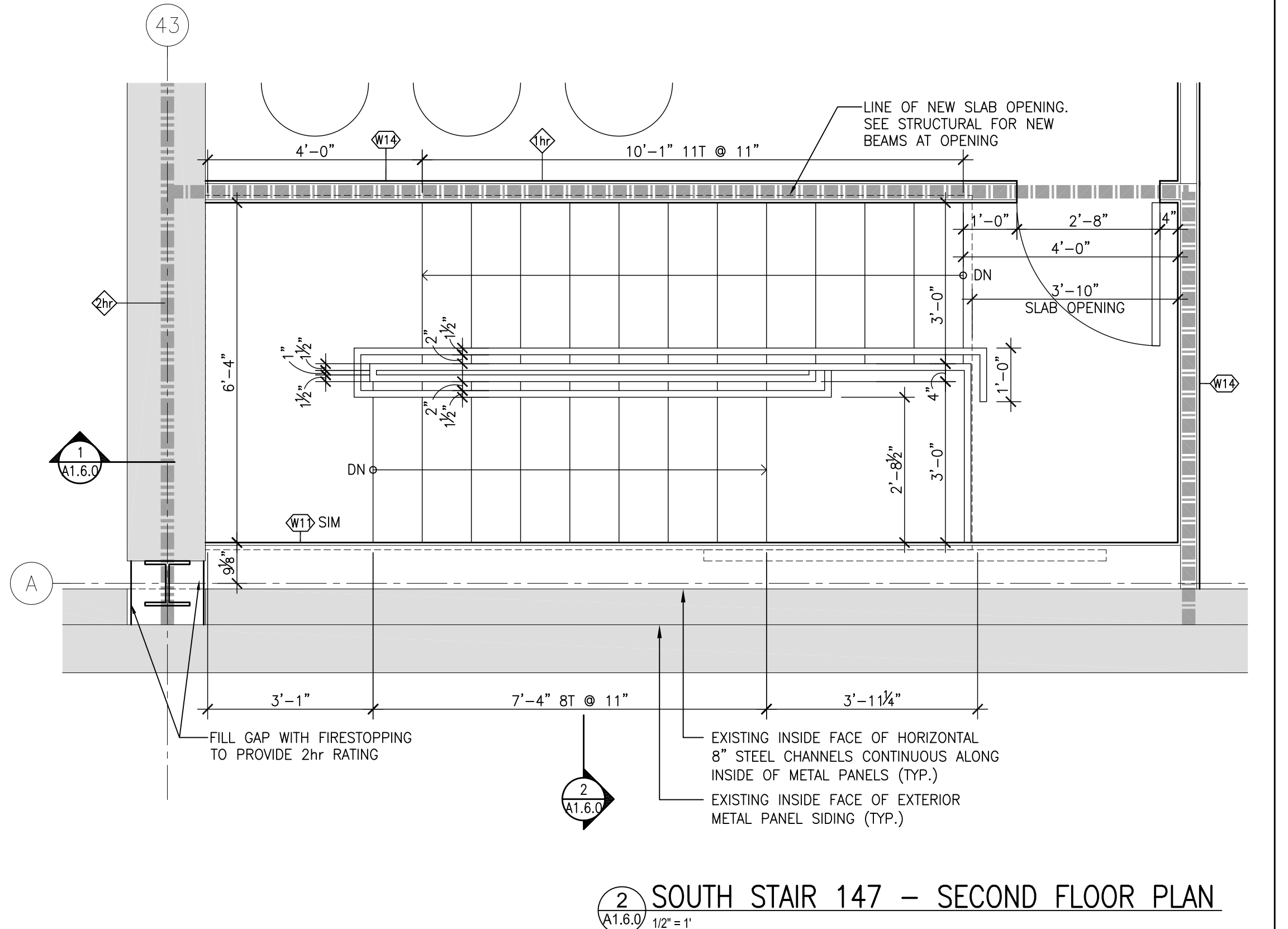
9 SECTION DETAIL AT TREAD  
 A1.6.0 3/4" = 1"



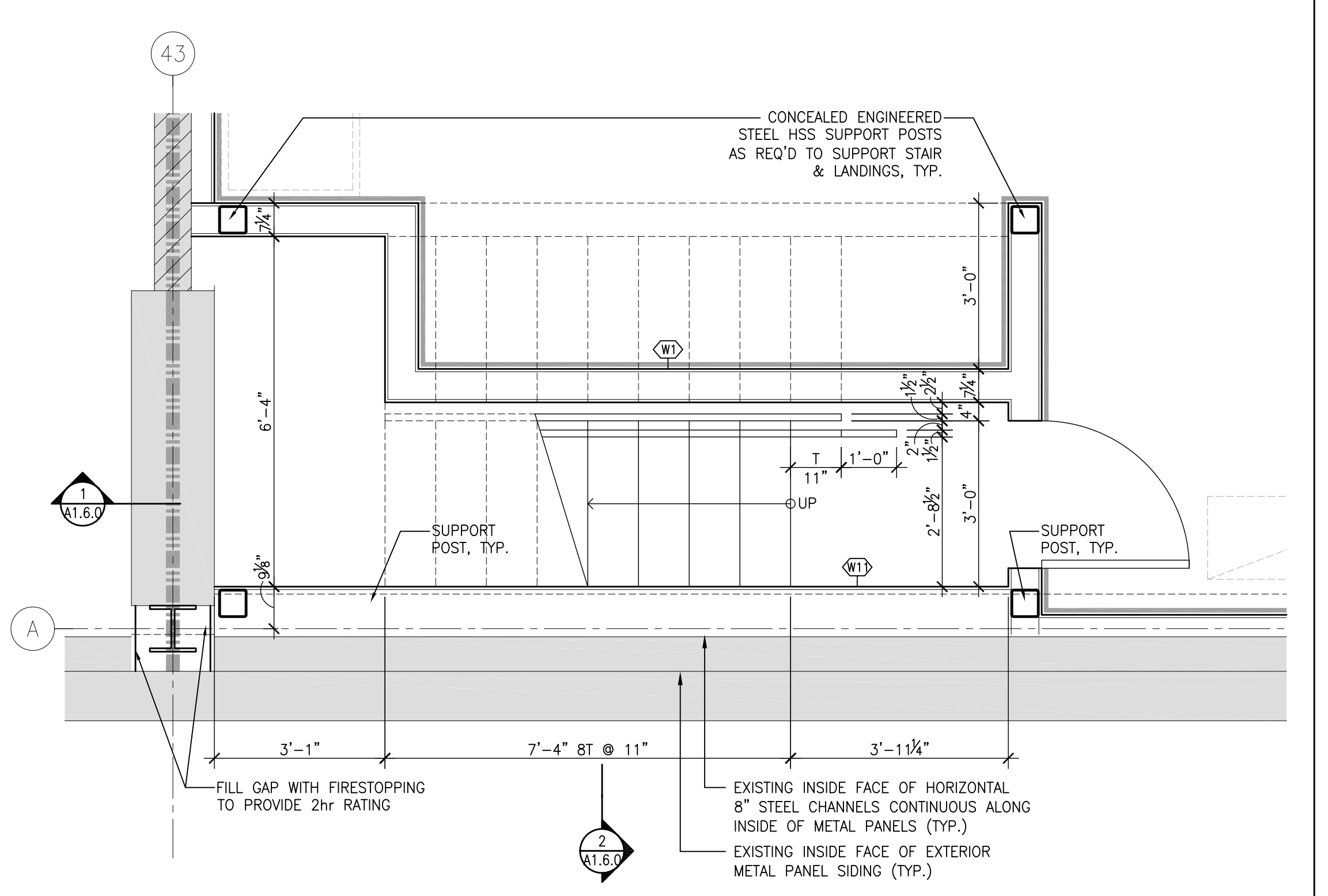
8 GREEN ROOM STAIR 145C - SECTION  
 A1.6.0 1/4" = 1"



7 GREEN ROOM STAIR 145C - PLAN  
 A1.6.0 1/2" = 1"



2 SOUTH STAIR 147 - SECOND FLOOR PLAN  
 A1.6.0 1/2" = 1"



1 SOUTH STAIR 147 - GROUND FLOOR PLAN  
 A1.6.0 1/2" = 1"

IMPERIAL SCALE DRAWING  
 FIRST FLOOR ELEV. 00.00m

- 1. REVISED FOR DESIGN 11 APR 2014
- 2. REVISED FOR TENDER 13 JUNE 2014
- 3. REVISED FOR TENDER 11 JULY 2014



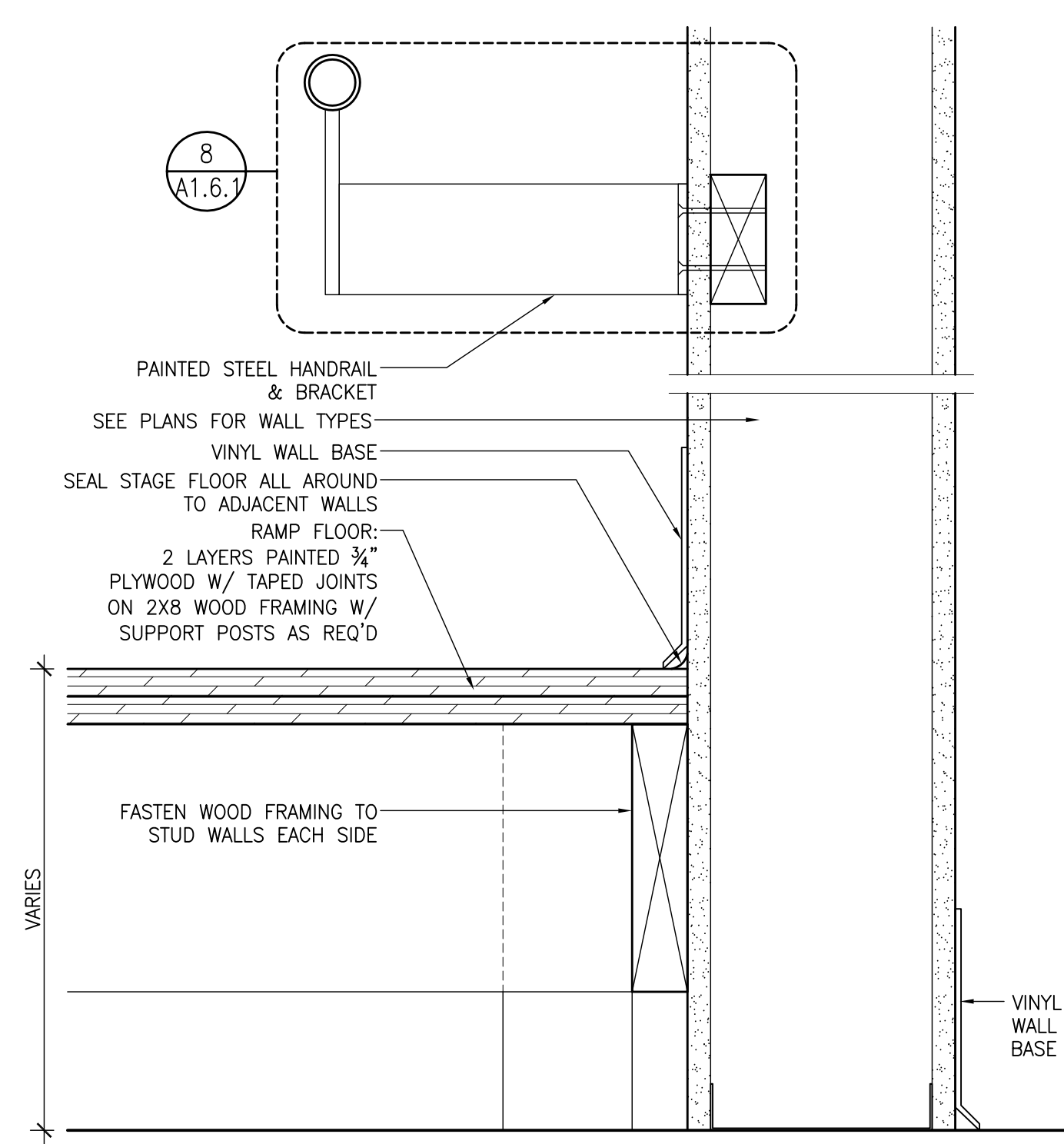
Luc Bouliane Architect Inc + David J Agro Architect Inc  
 1259 Dundas Street West, Toronto, M6J 1X6 Tel: 416 300 0656

CANADIAN MUSEUM OF IMMIGRATION AT PEIR 21

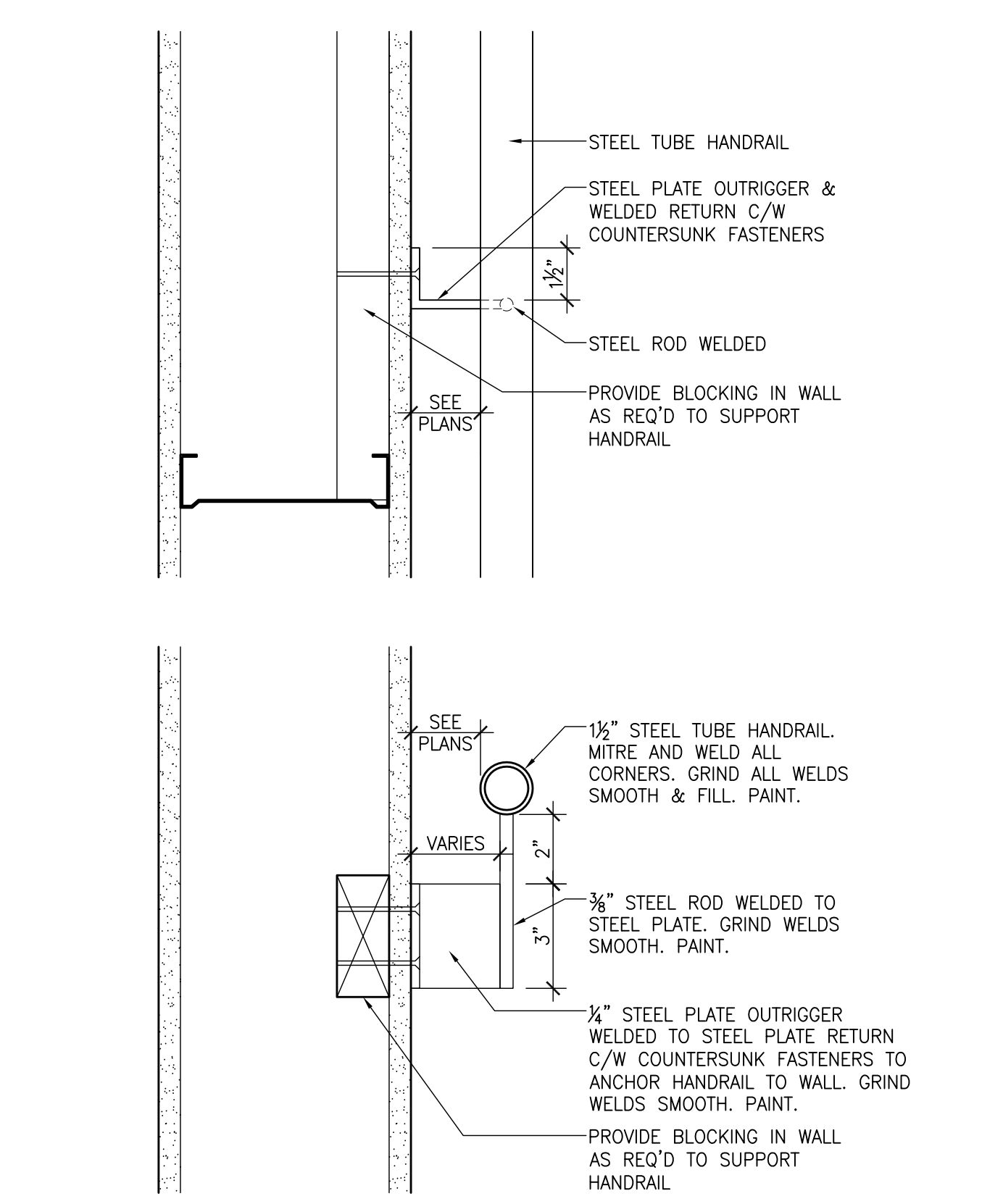
project no: 13-005  
 scale: AS NOTED  
 drawn by: LB / DUA  
 reviewed by: 28/04/11  
 date:

STAIRS  
 MECH & GREEN ROOM  
 A1.6.0

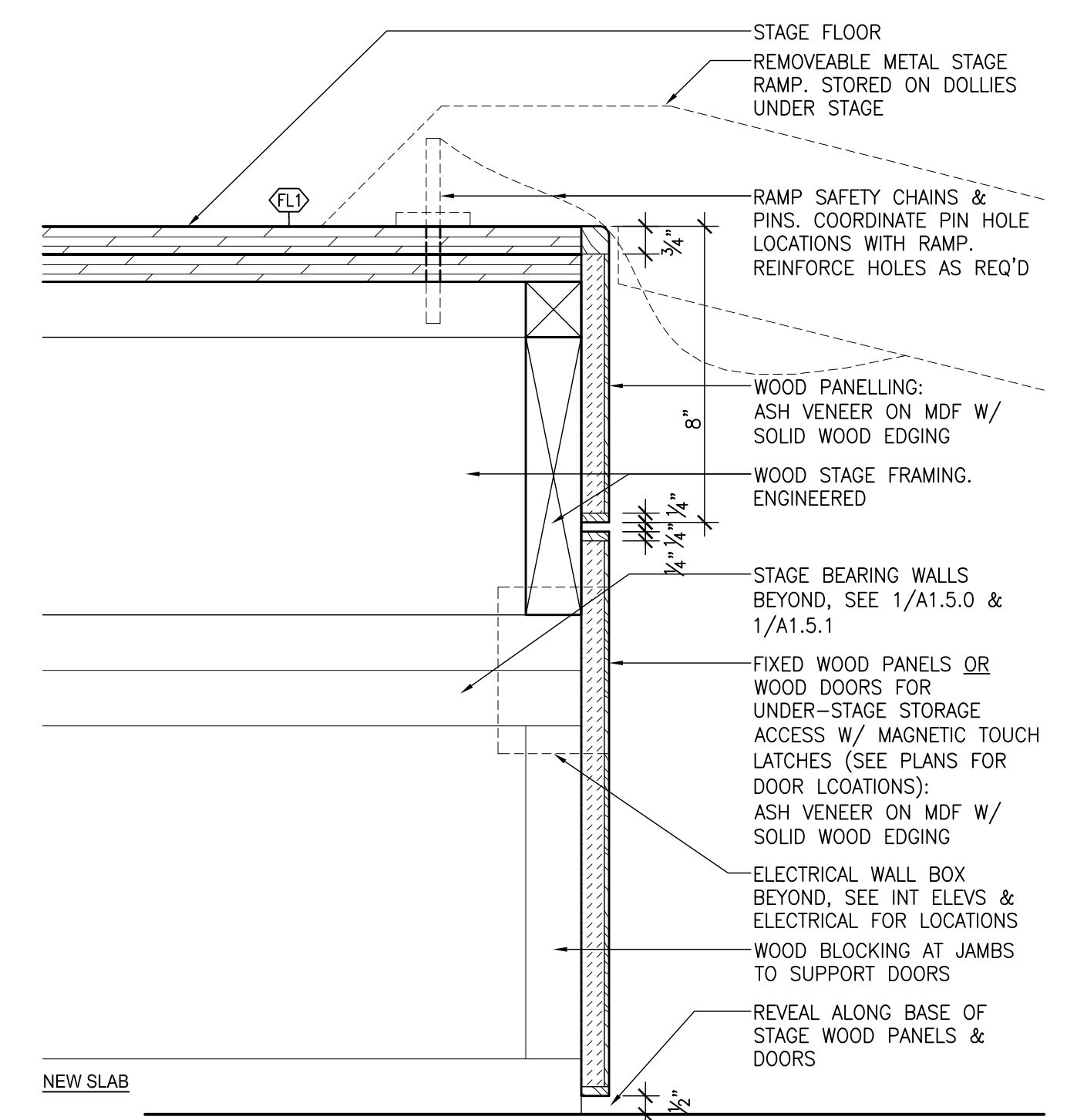




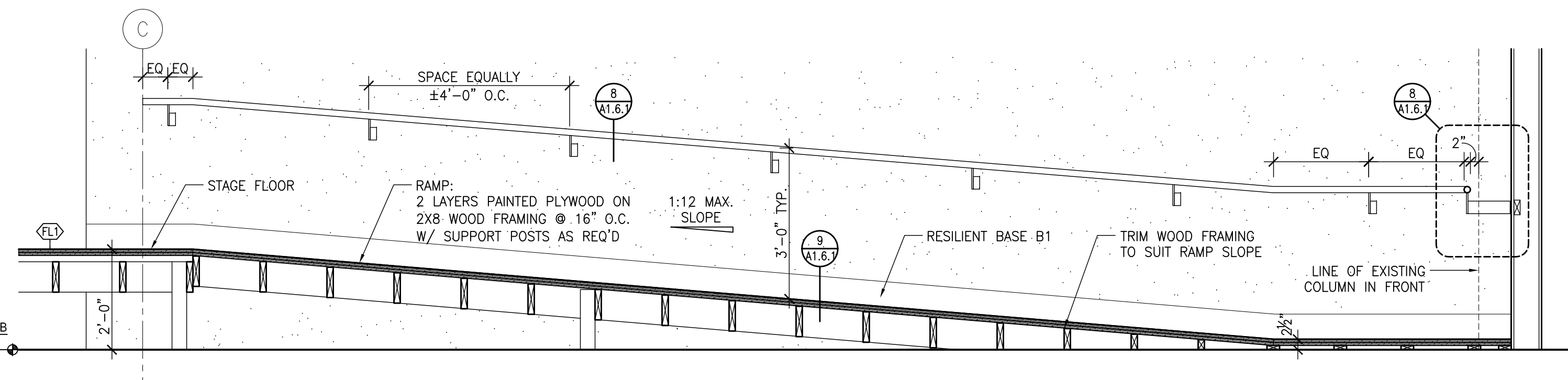
SECTION DETAIL AT RAMP & HANDRAIL  
A1.6.1 1/2" = 1'



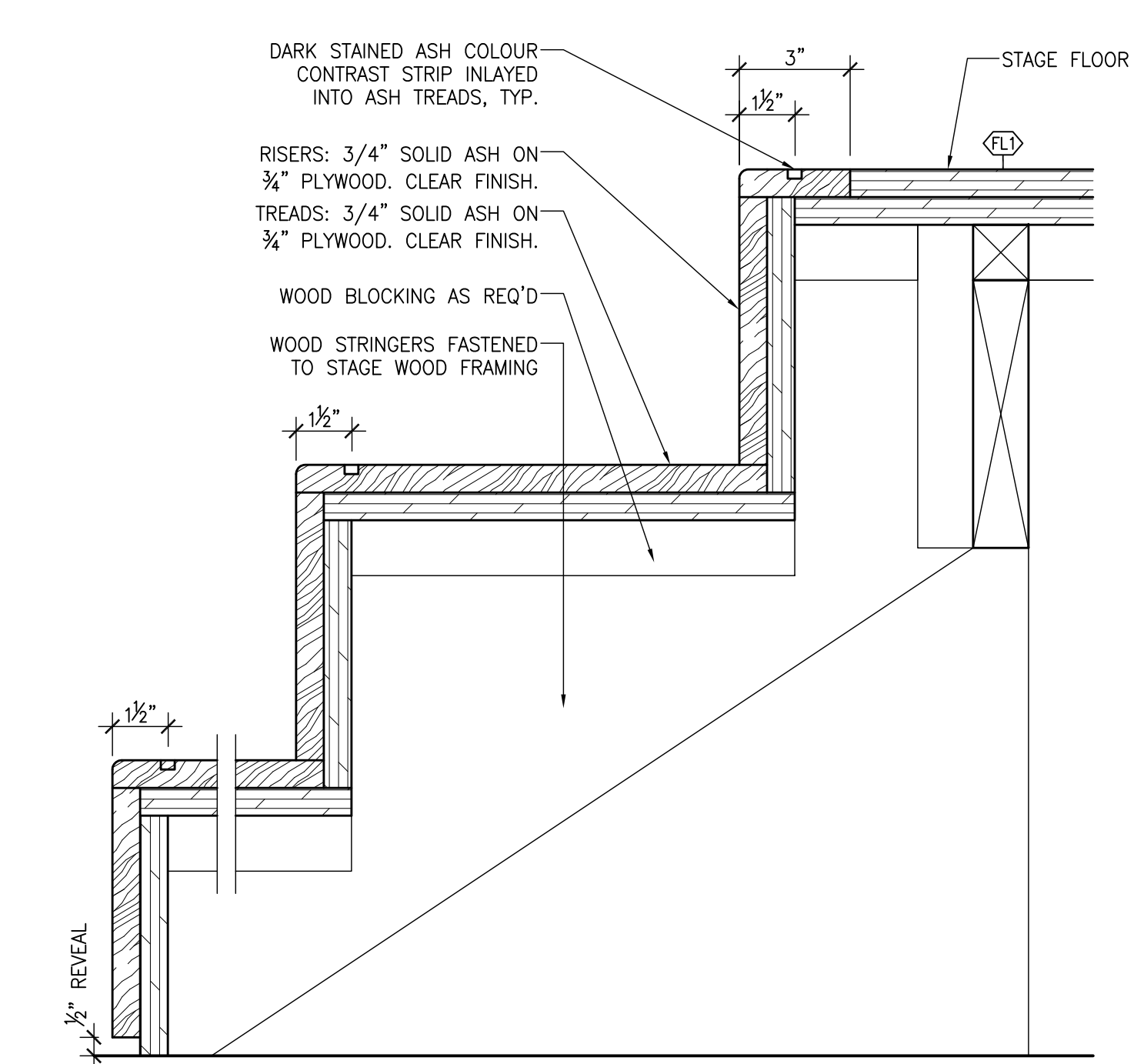
SECTION DETAIL AT HANDRAIL  
A1.6.1 1/2" = 1'



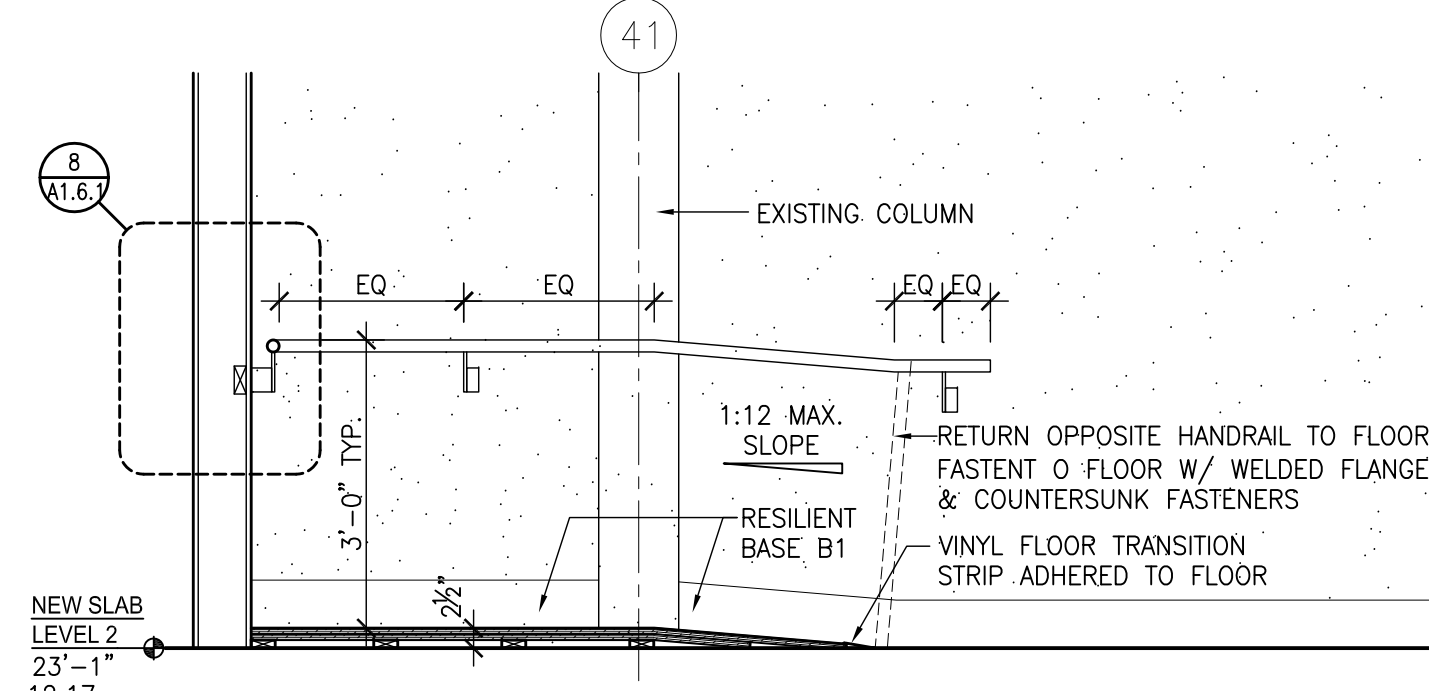
SECTION DETAIL AT STAGE DOORS & EQUIPMENT RAMP  
A1.6.1 1/2" = 1'



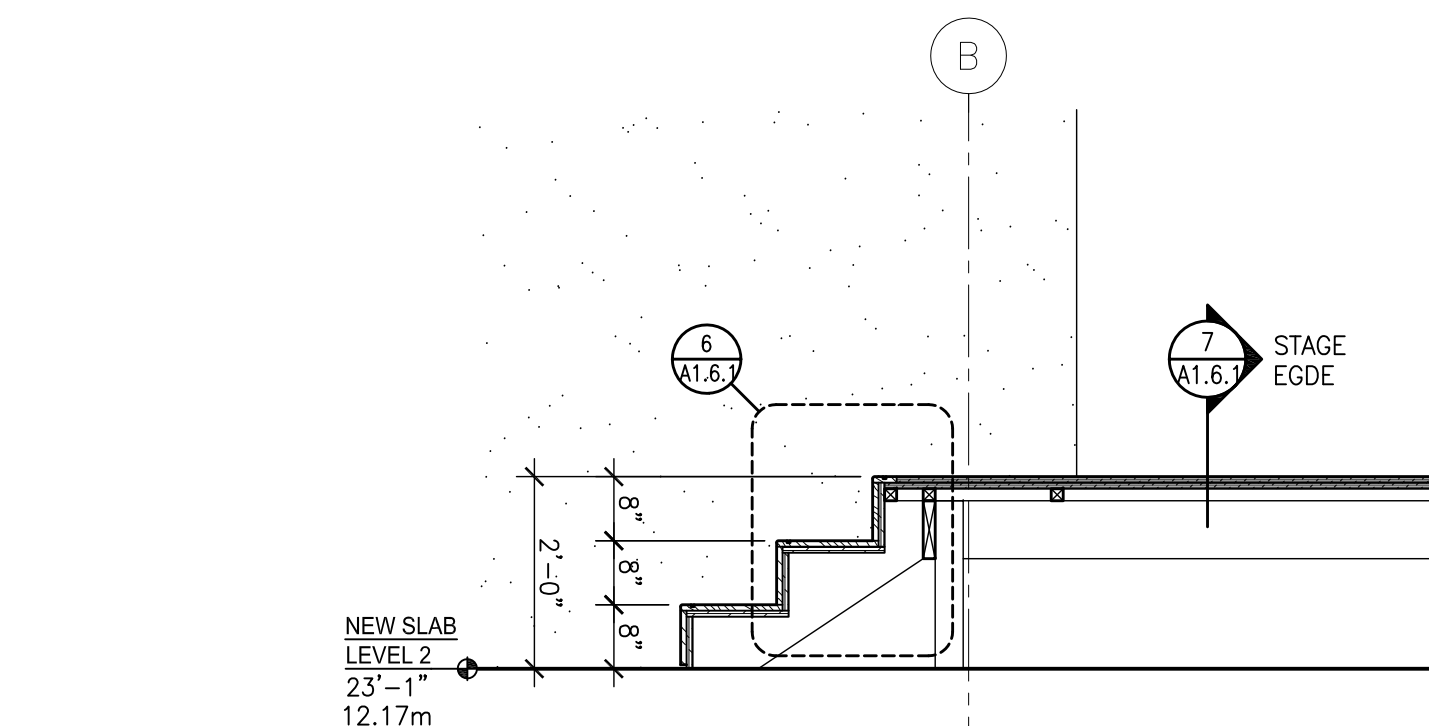
STAGE RAMP - SECTION  
A1.6.1 1/2" = 1'



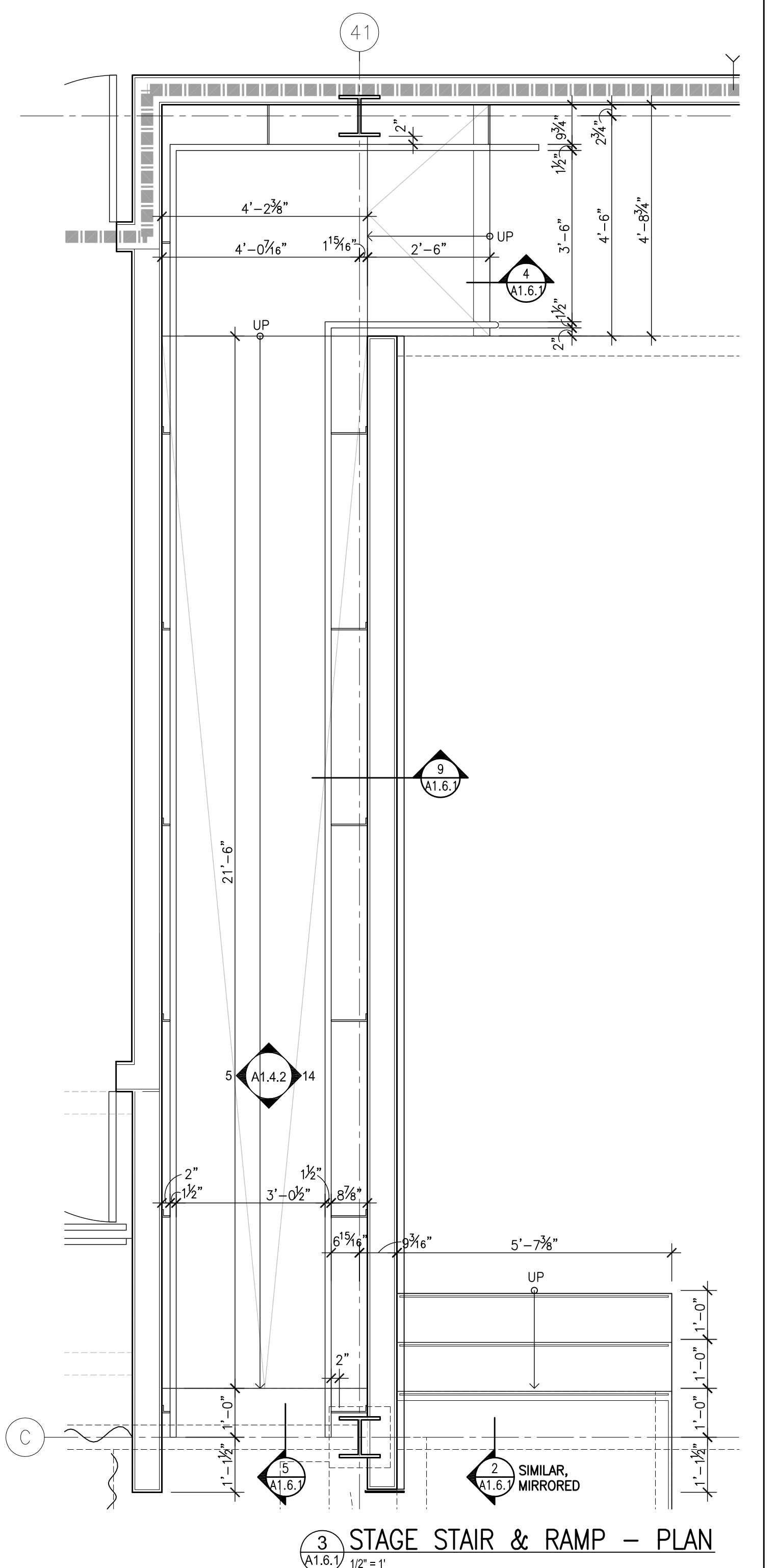
SECTION DETAIL AT STEP  
A1.6.1 1/2" = 1'



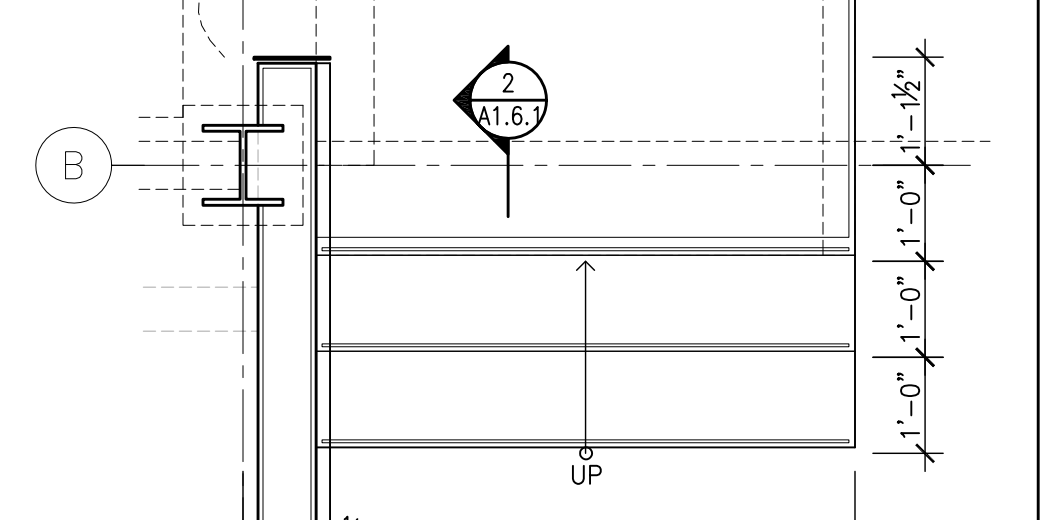
STAGE RAMP - SECTION  
A1.6.1 1/2" = 1'



STAGE STAIR - SECTION  
A1.6.1 1/2" = 1'

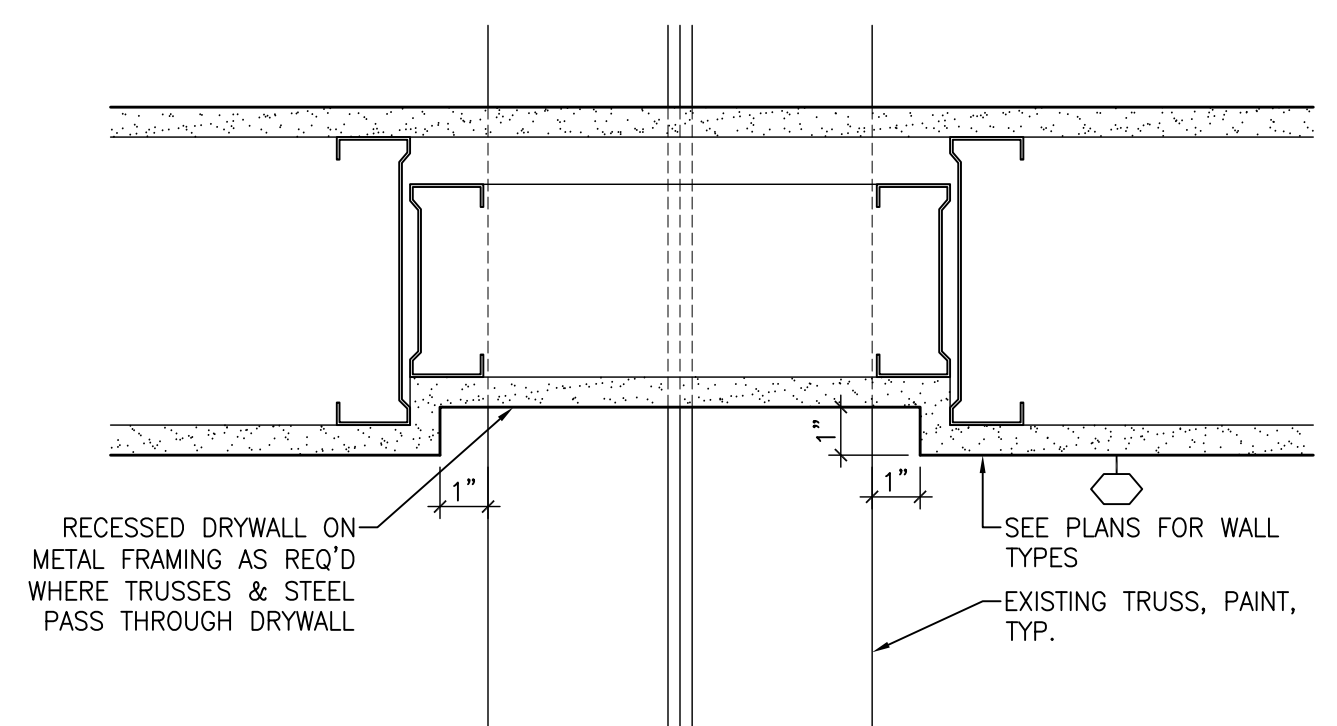


STAGE STAIR & RAMP - PLAN  
A1.6.1 1/2" = 1'

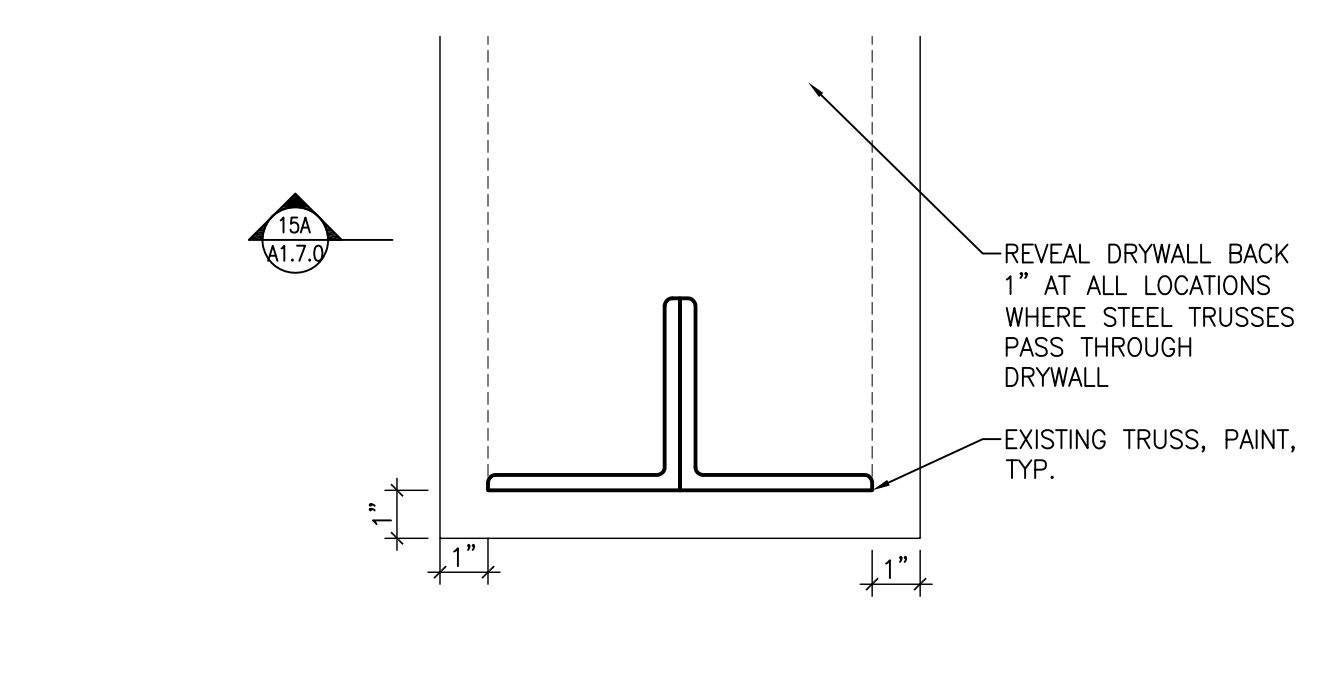


STAGE STAIR - PLAN  
A1.6.1 1/2" = 1'

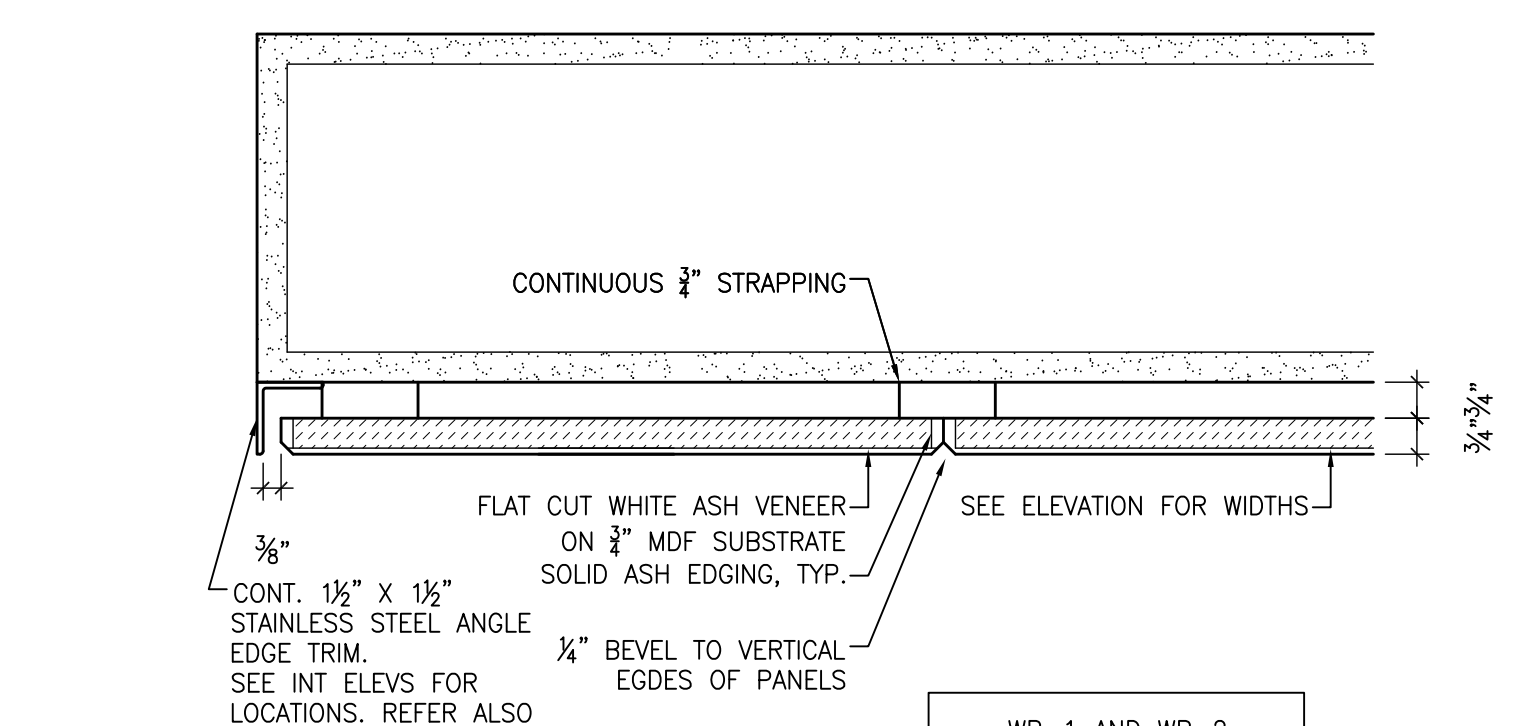




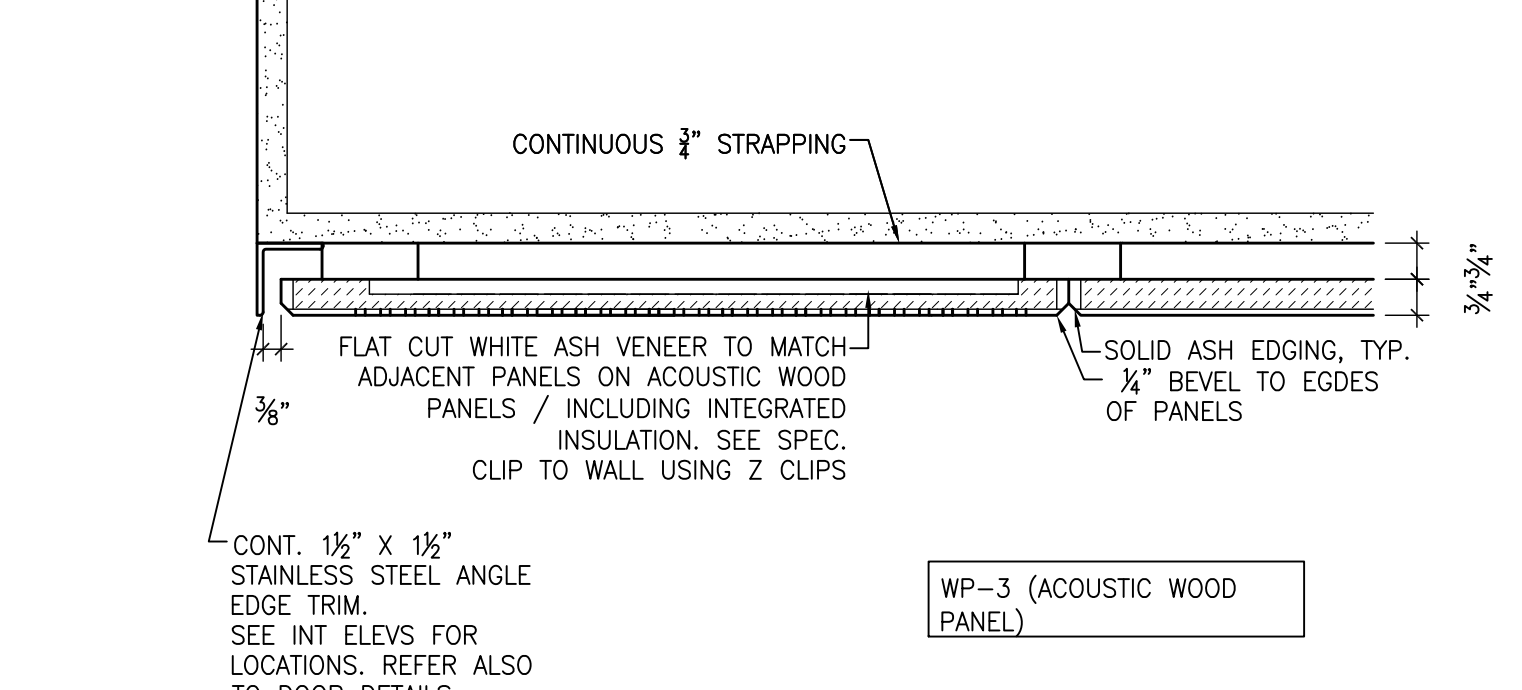
15A ELEVATION DETAIL AT TRUSS / WALL  
R17.0 2+1



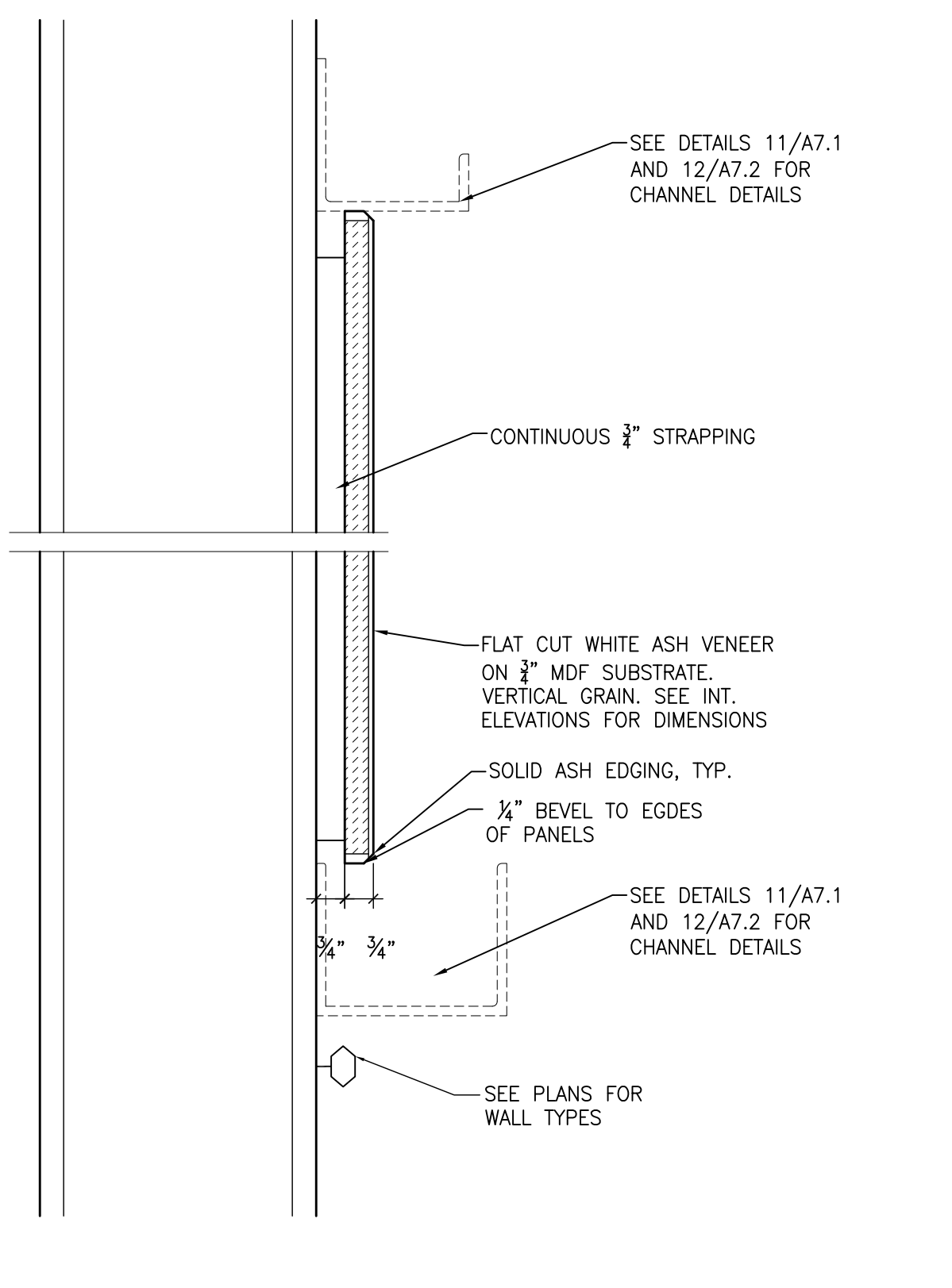
15B ELEVATION DETAIL AT TRUSS / WALL  
R17.0 2+1



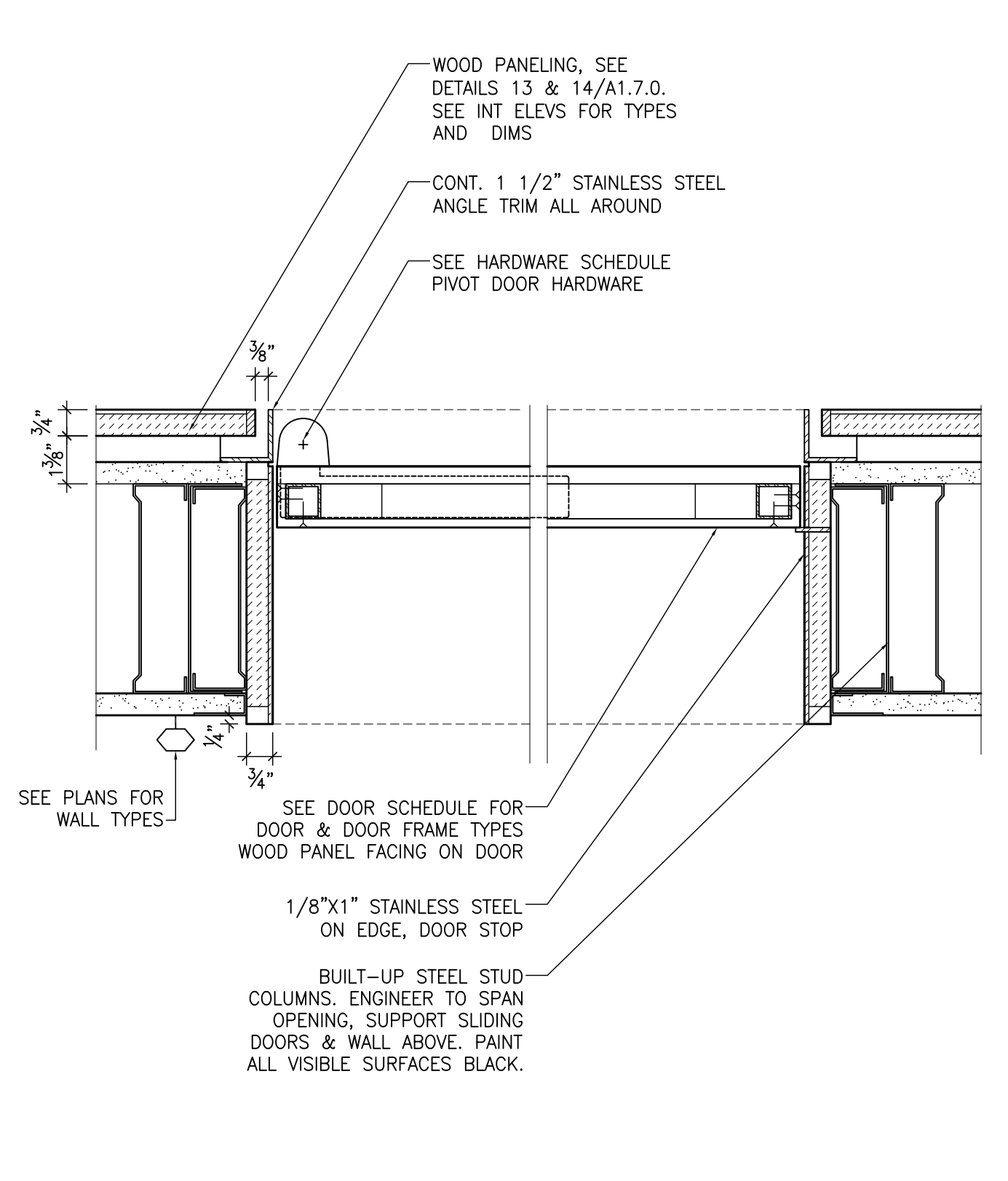
16A PLAN DETAIL AT WOOD PANELS  
R17.0 2+1



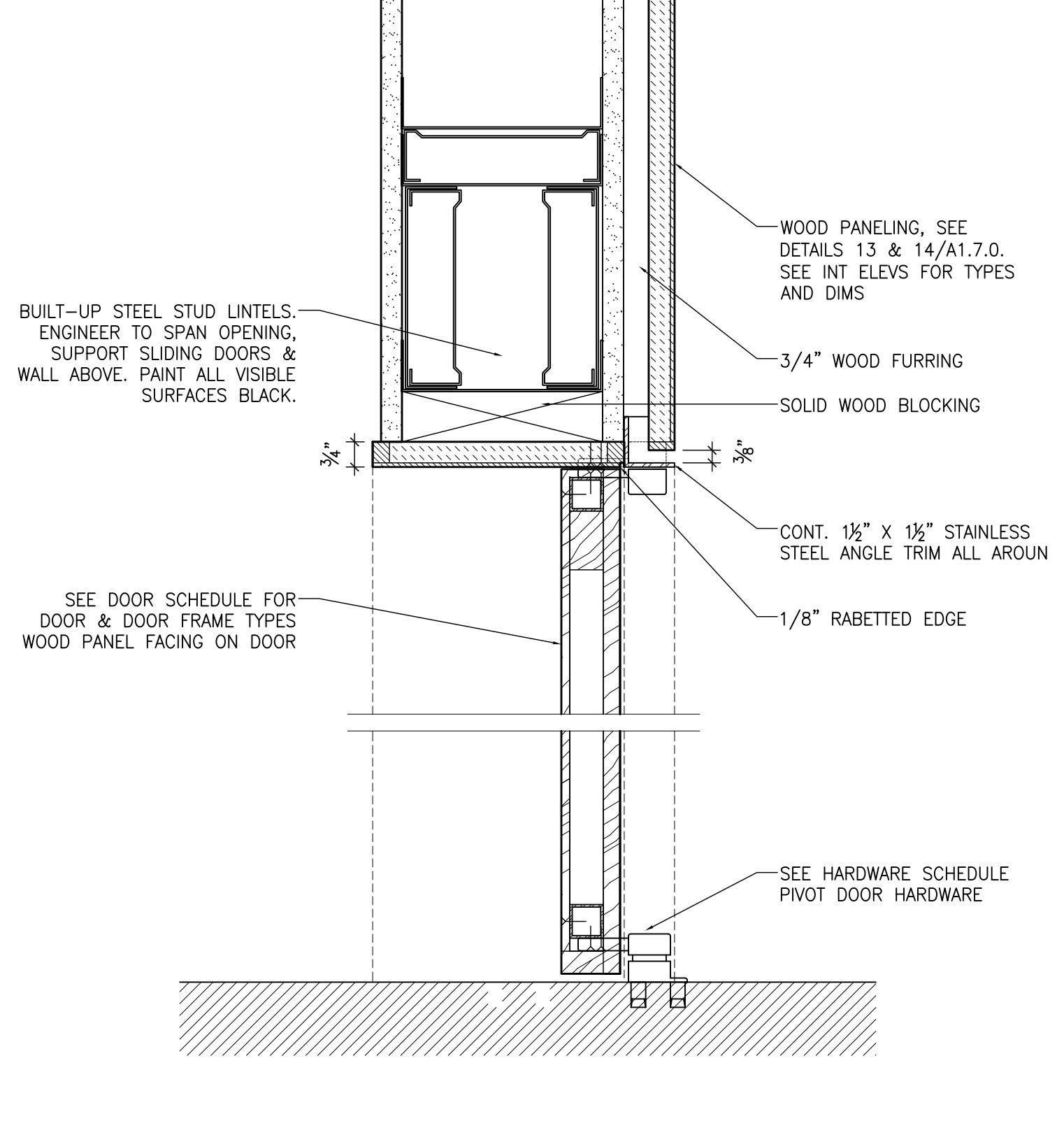
16B PLAN DETAIL AT WOOD PANELS  
R17.0 2+1



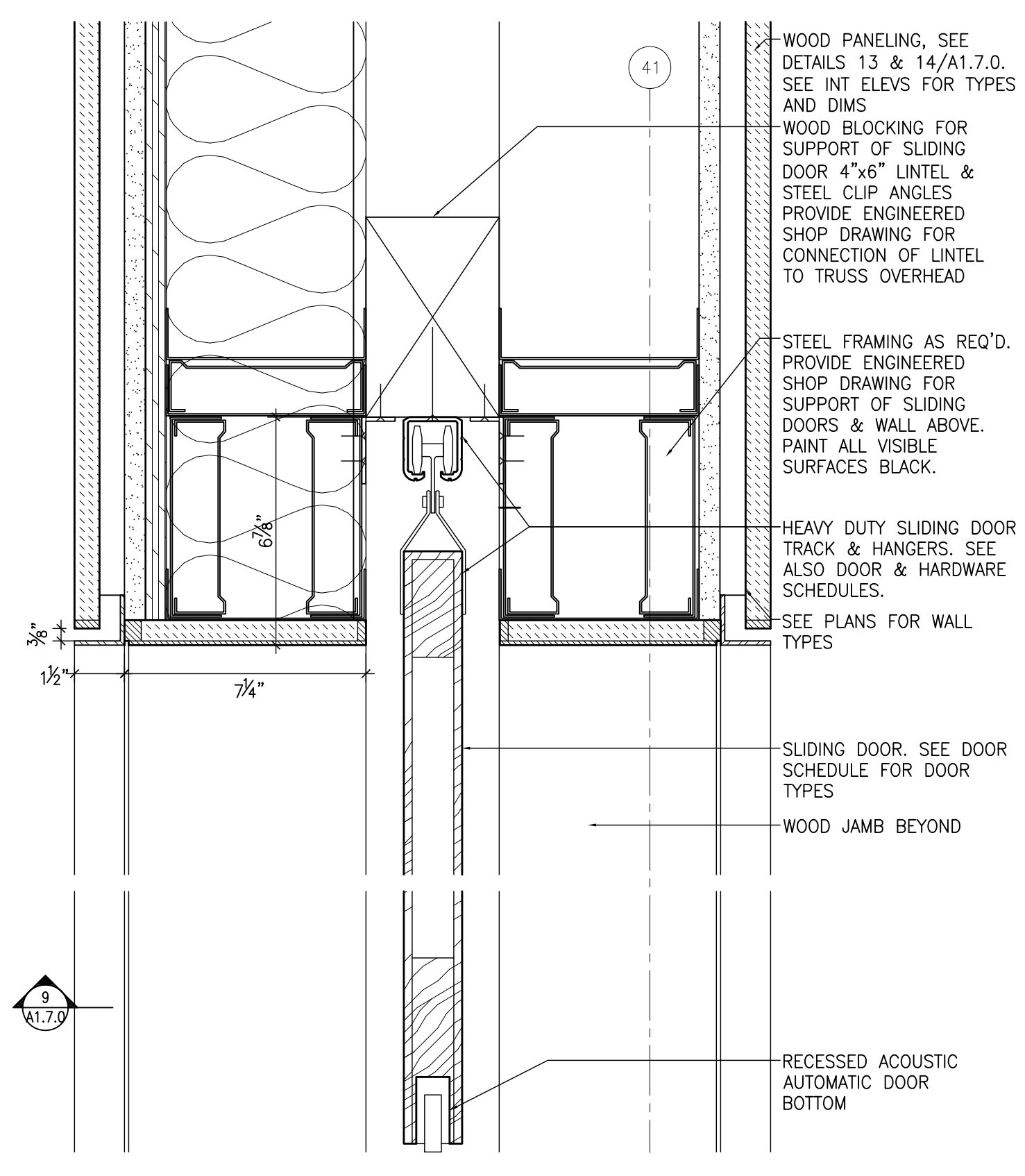
17A SECTION DETAIL AT WOOD WALL PANEL  
R17.0 2+1



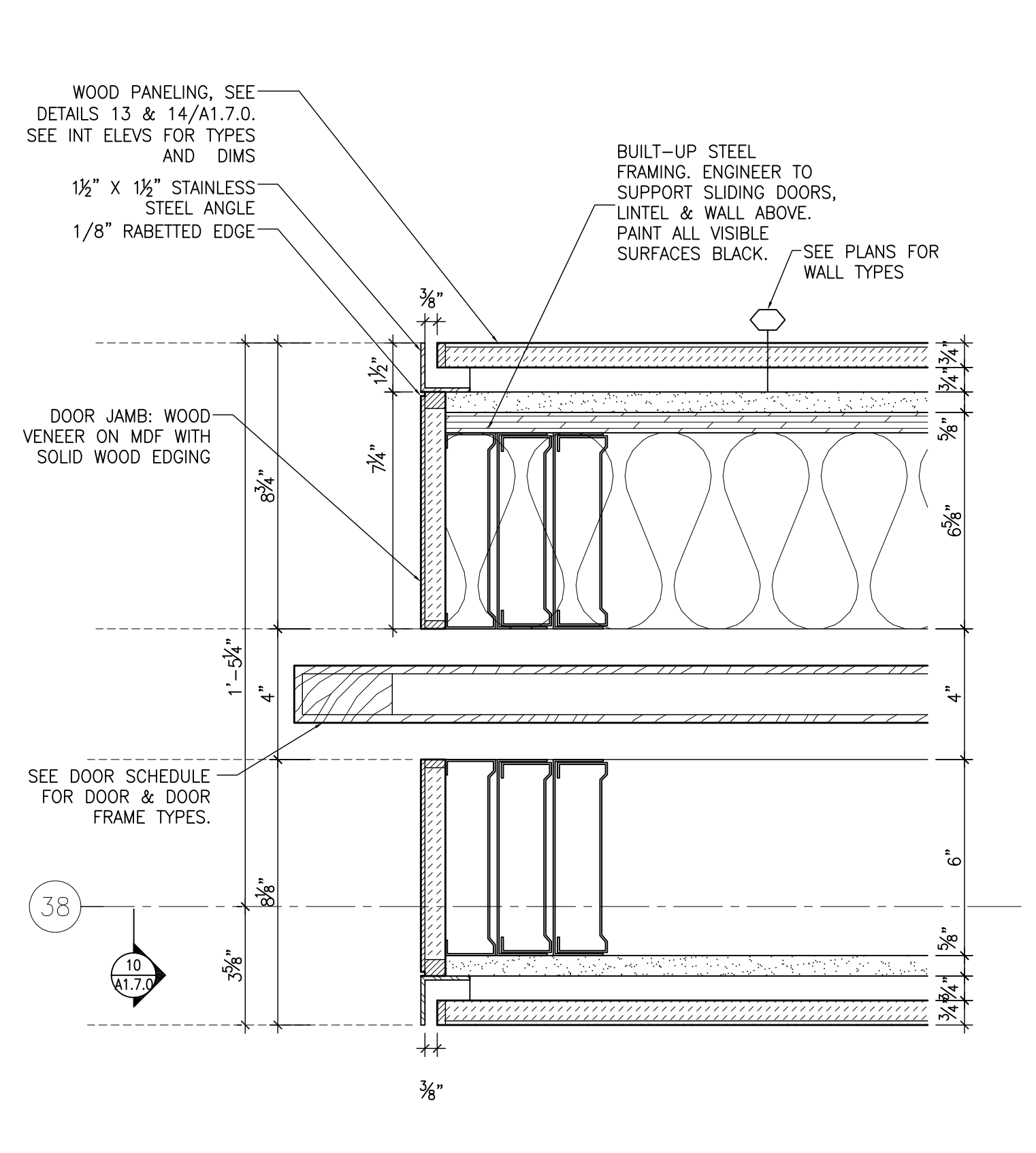
17B PLAN DETAIL PIVOT DOORS  
R17.0 2+1



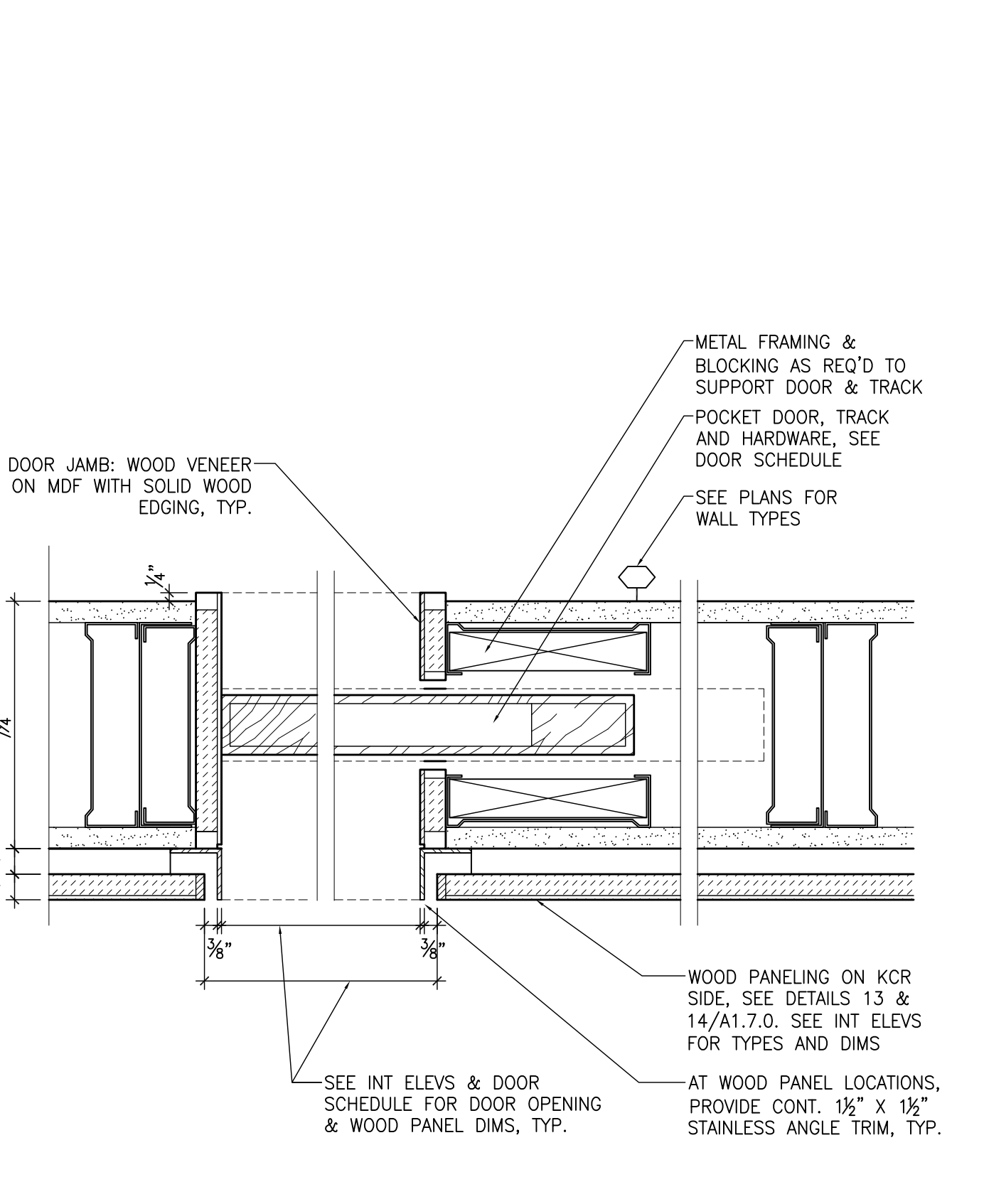
17C SECTION DETAIL PIVOT DOORS  
R17.0 2+1



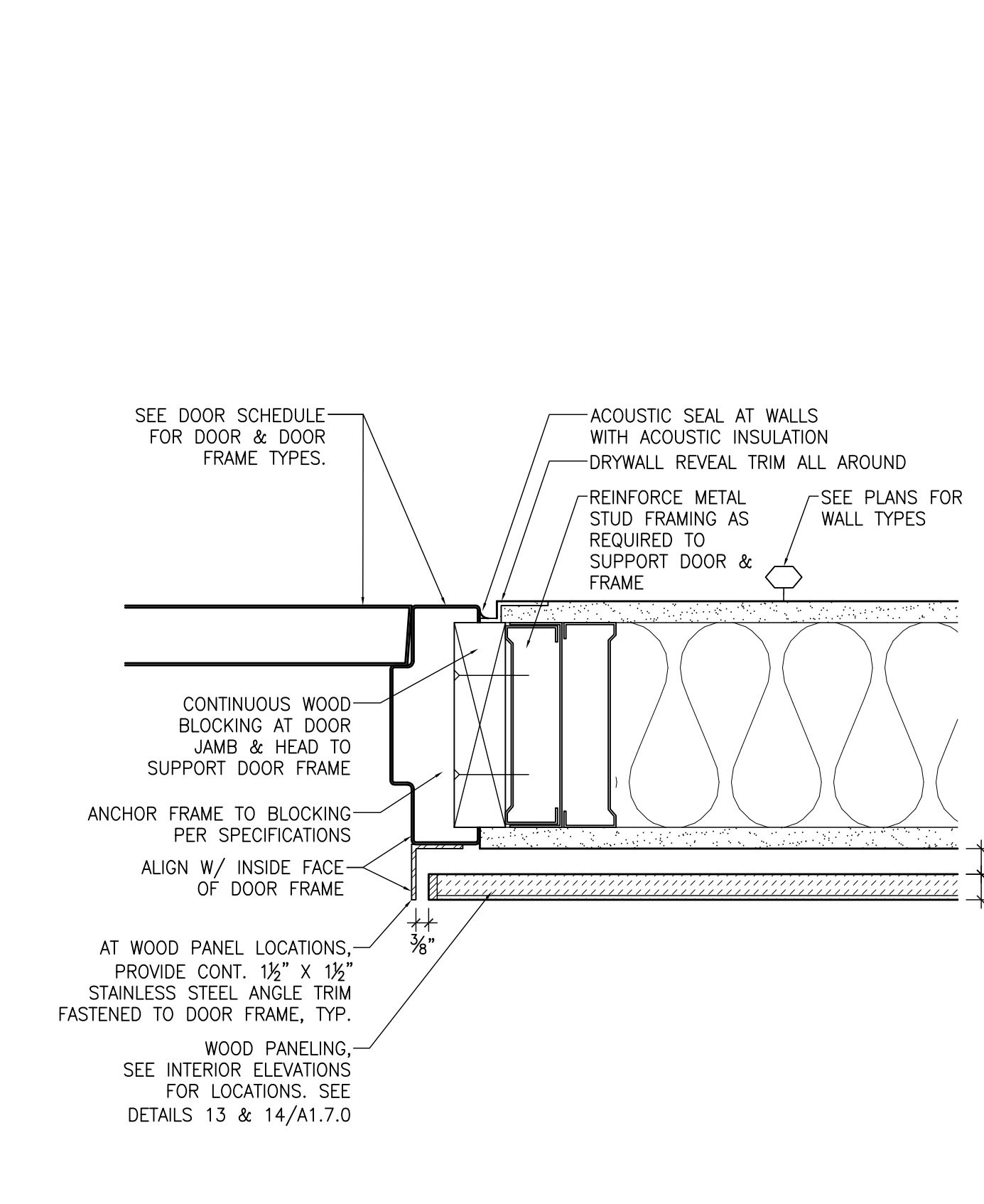
18 SECTION DETAIL AT SLIDING DOOR  
R17.0 2+1



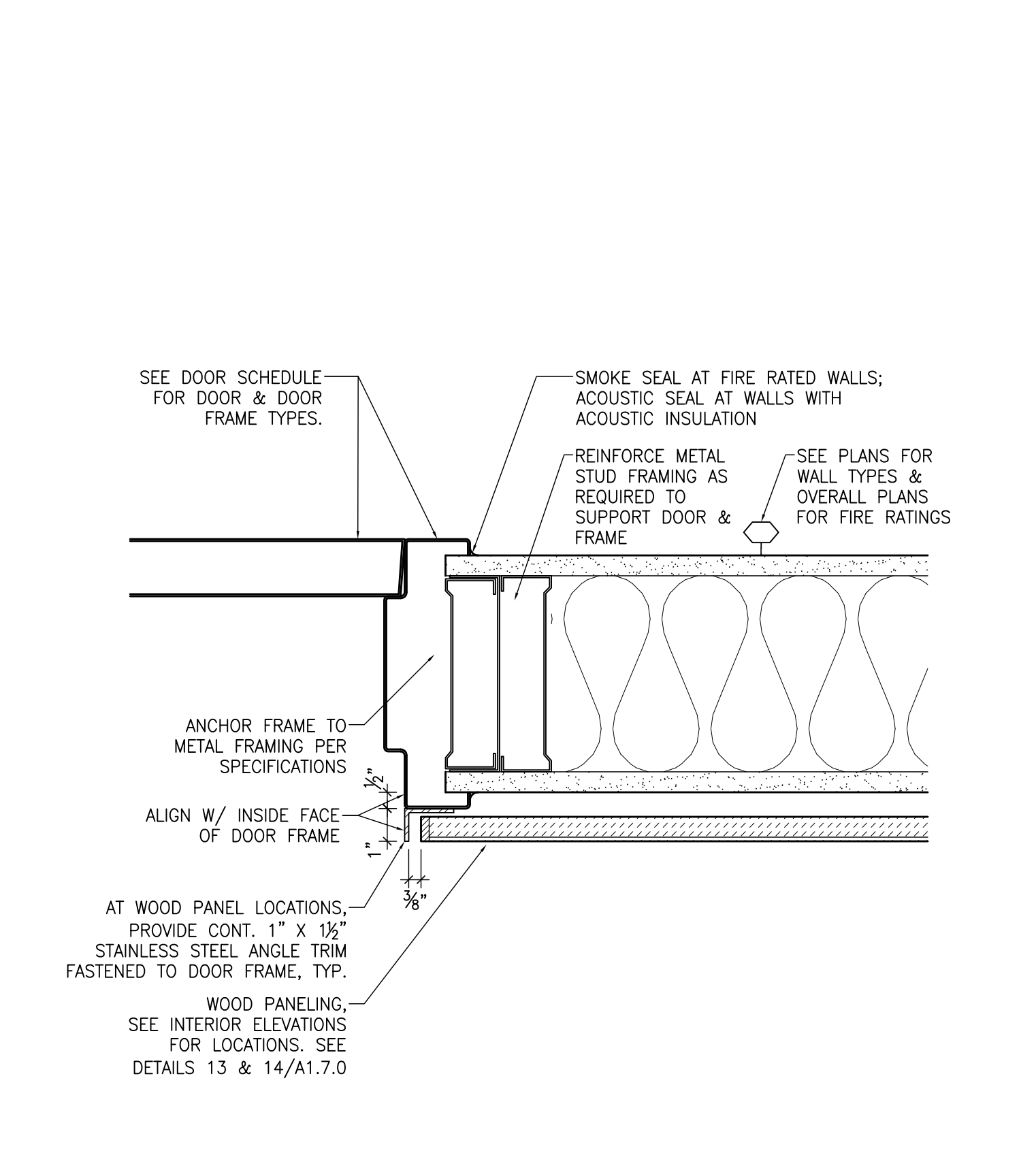
19 PLAN DETAIL AT SLIDING DOOR  
R17.0 2+1



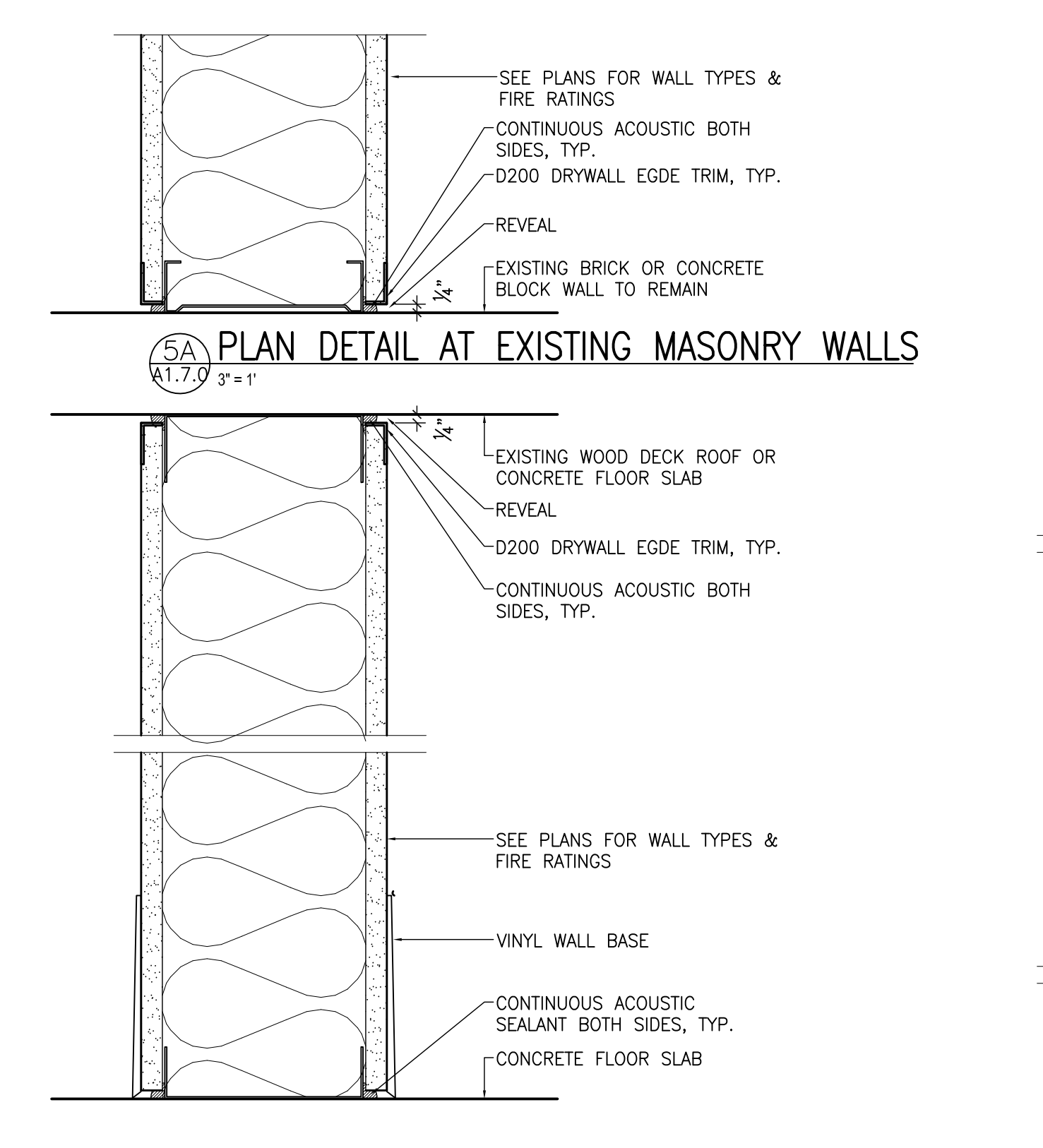
20 PLAN DETAIL AT POCKET DOOR  
R17.0 2+1



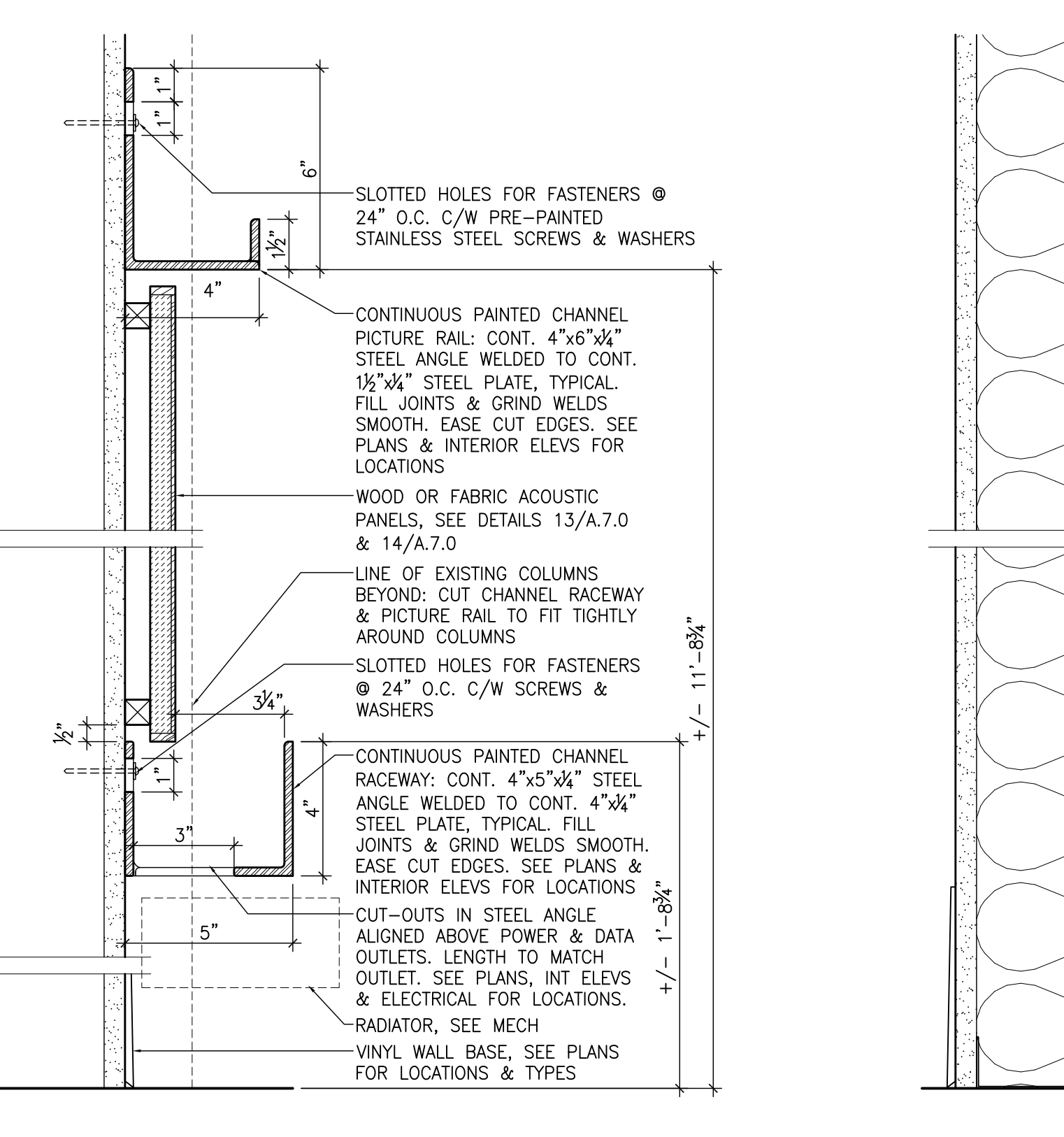
21 PLAN DETAIL AT TYPICAL DOOR  
R17.0 2+1



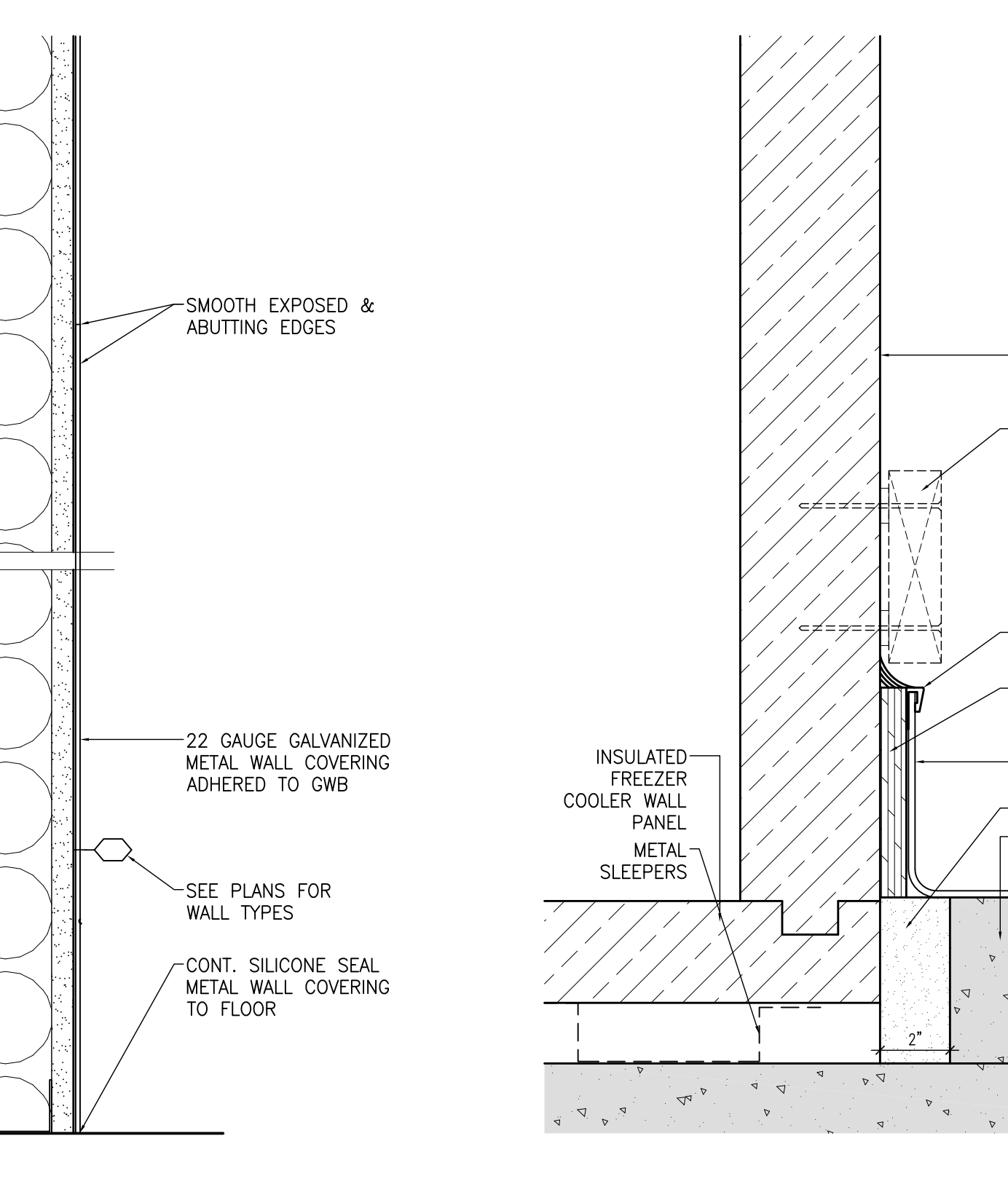
22 PLAN DETAIL AT FIRE-RATED DOOR  
R17.0 2+1



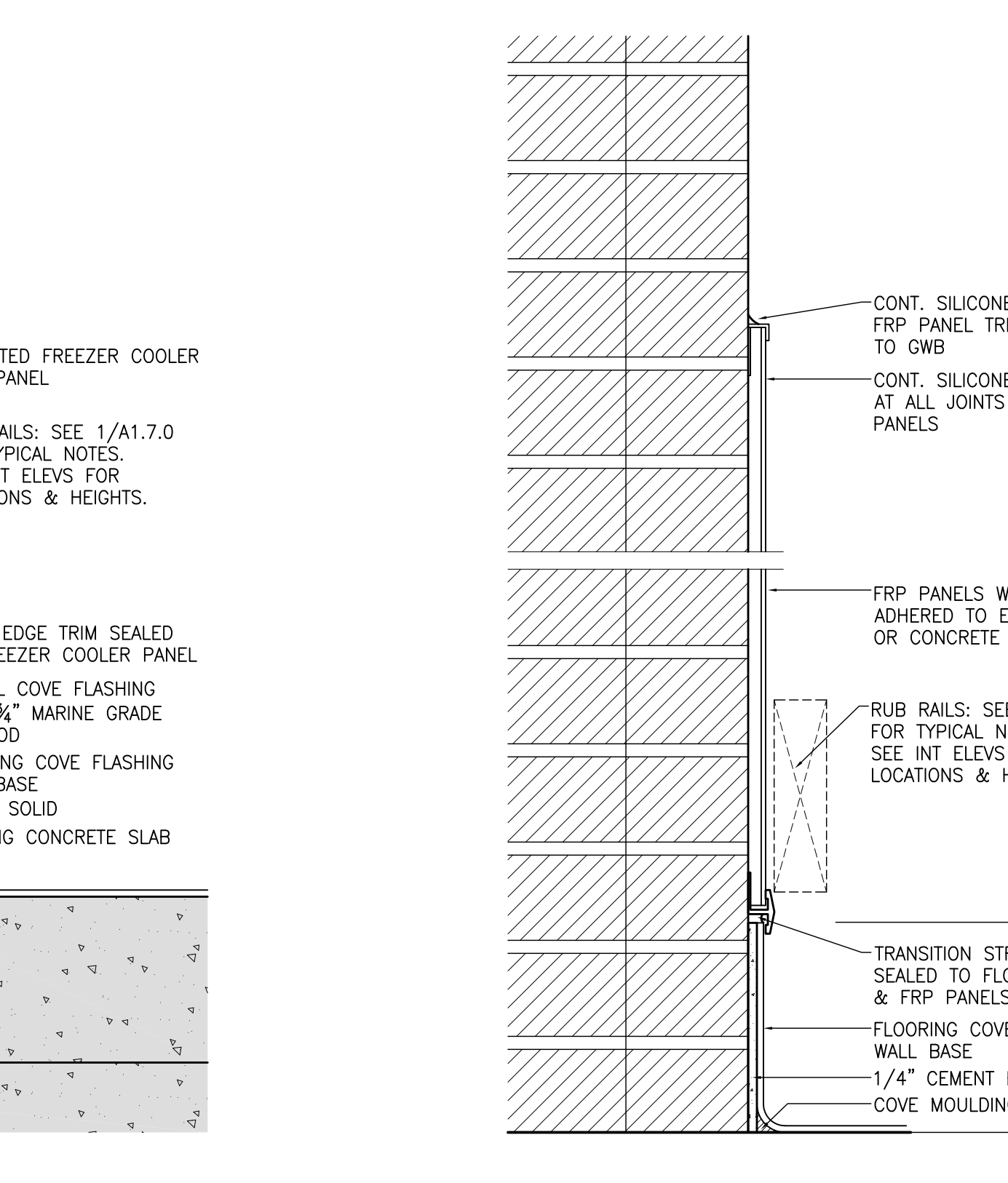
23 SECTION DETAIL AT ACOUSTIC WALL  
R17.0 2+1



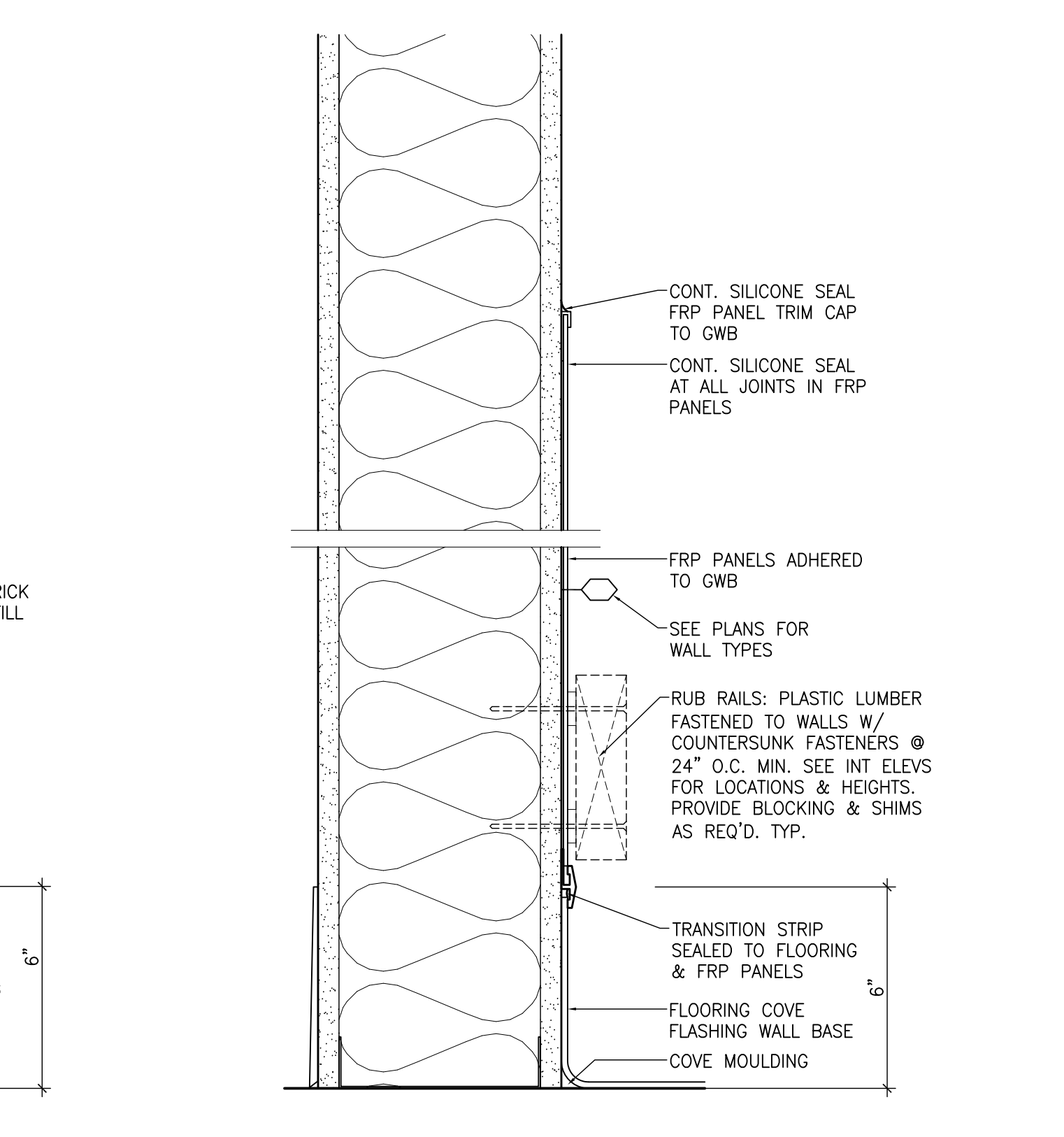
24 SECTION DETAIL AT CHANNELS  
R17.0 2+1



25 SECTION DETAIL AT METAL WALL COVERING  
R17.0 2+1



26 SECTION DETAIL AT FRIDGE  
R17.0 2+1



27 SECTION DETAIL AT FRP PANEL  
R17.0 2+1

IMPERIAL SCALE DRAWING  
FIRST FLOOR ELEV. 00.00m

1 ISSUED FOR TENDER 13 JUNE 2014  
2 ISSUED FOR TENDER 11 JULY 2014



project no: 13-005  
scale: AS NOTED  
drawn by: LB / QUA  
reviewed by: 28/KA/11  
date:

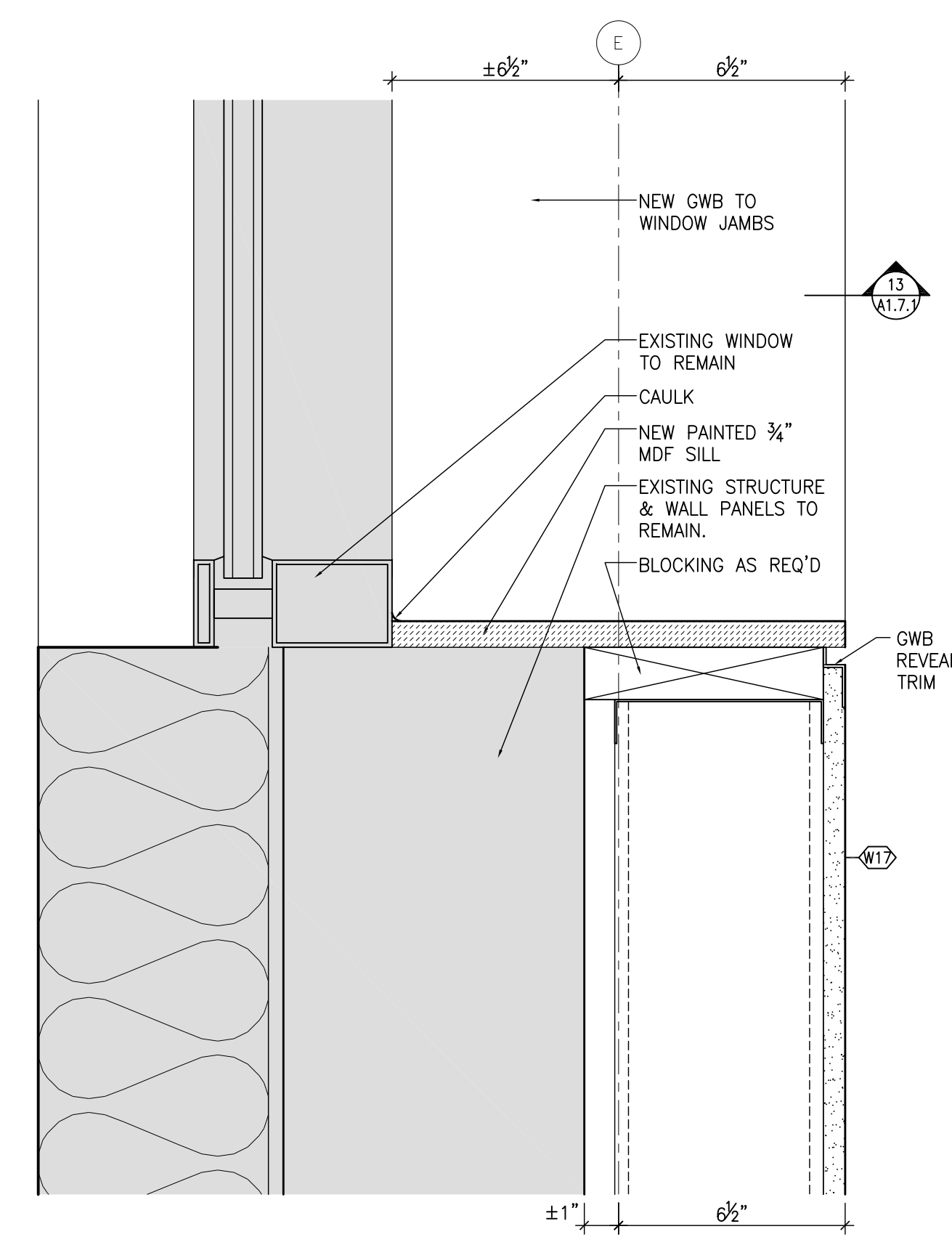
Luc Bouliane Architect Inc + David J Agro Architect Inc  
1259 Dundas Street West, Toronto, M6J 1X6 Tel: 416 300 0656

CANADIAN MUSEUM OF IMMIGRATION AT PEIR 21

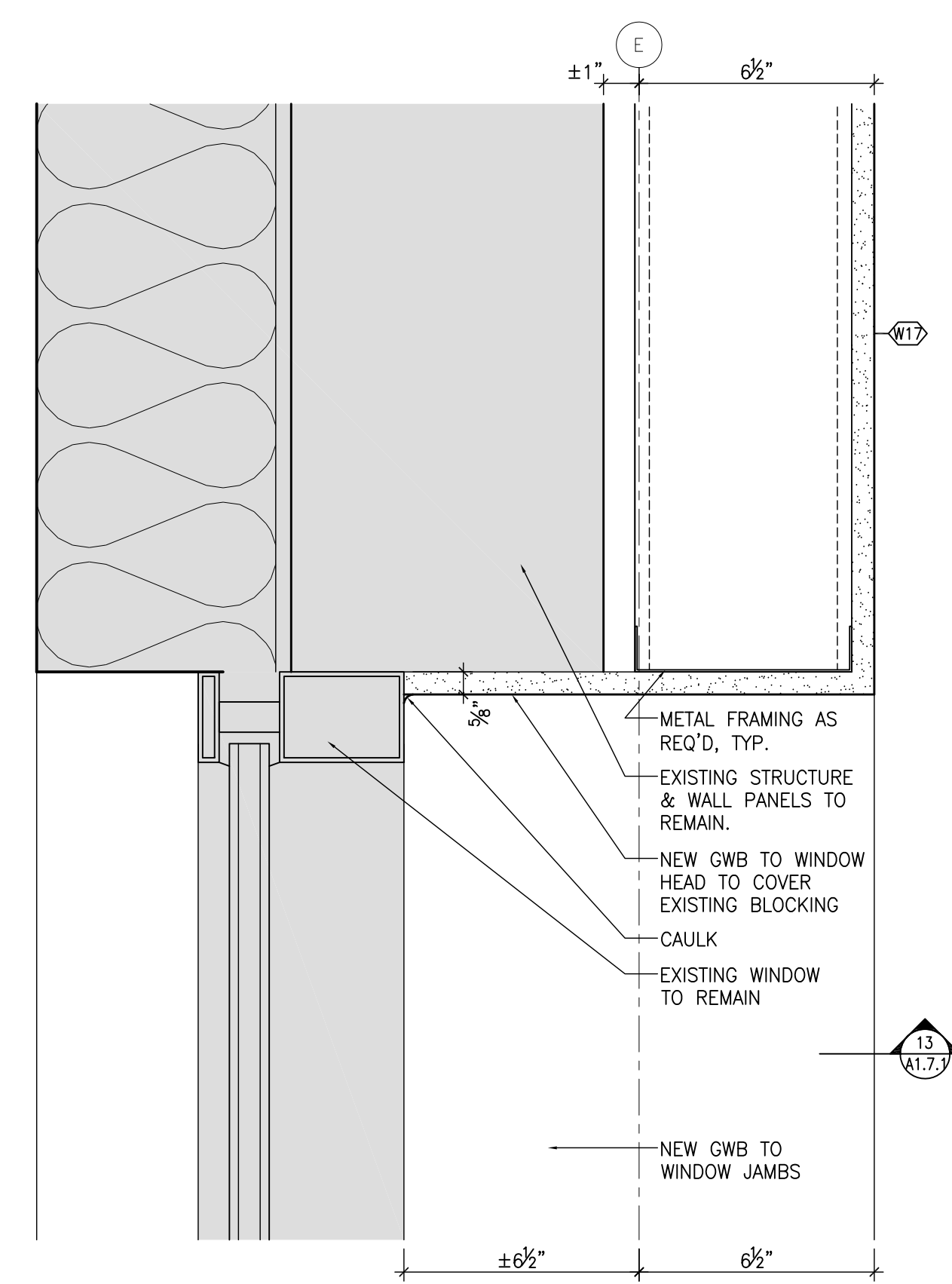
PLAN & SECTION DETAILS

A1.7.0

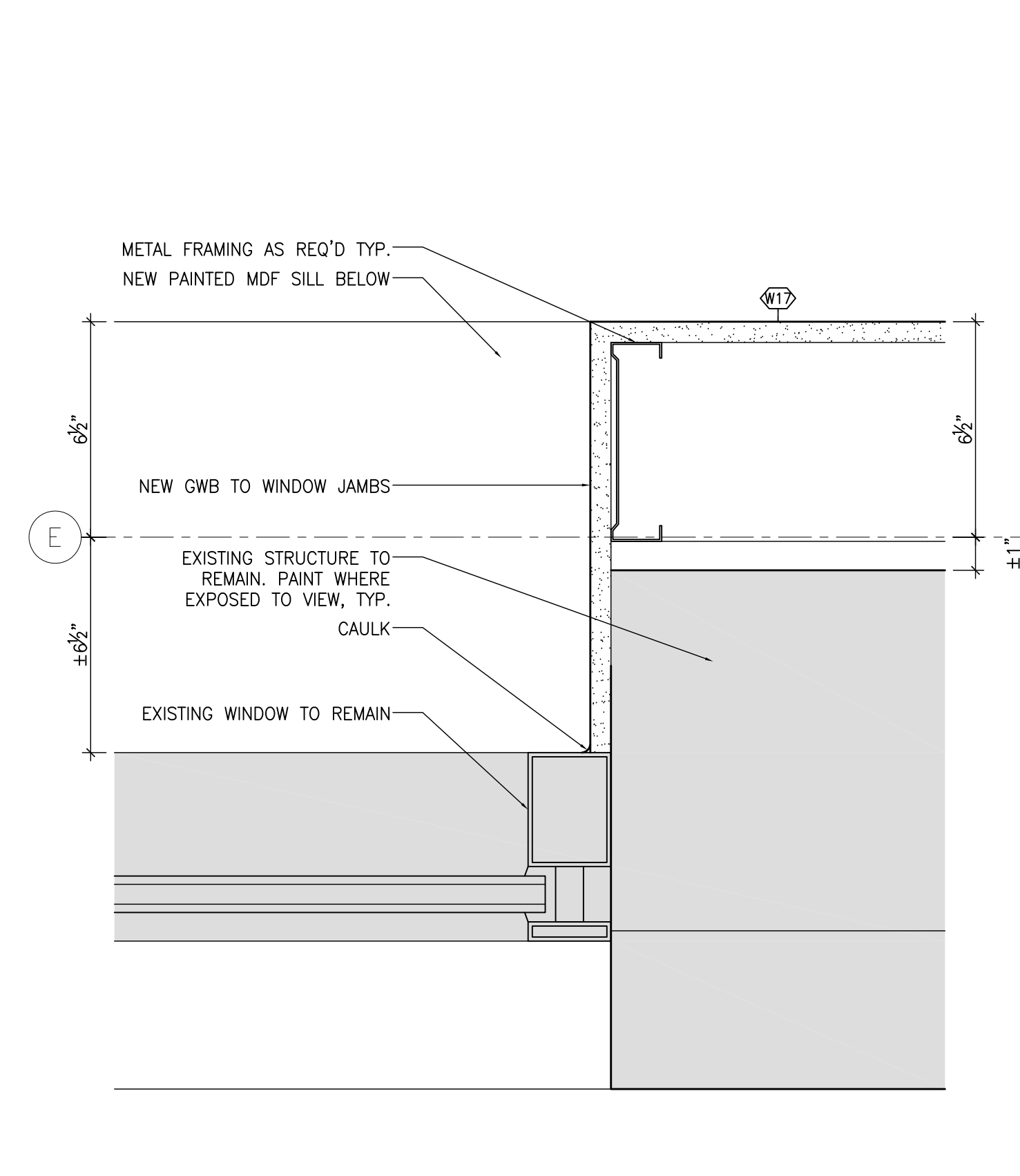




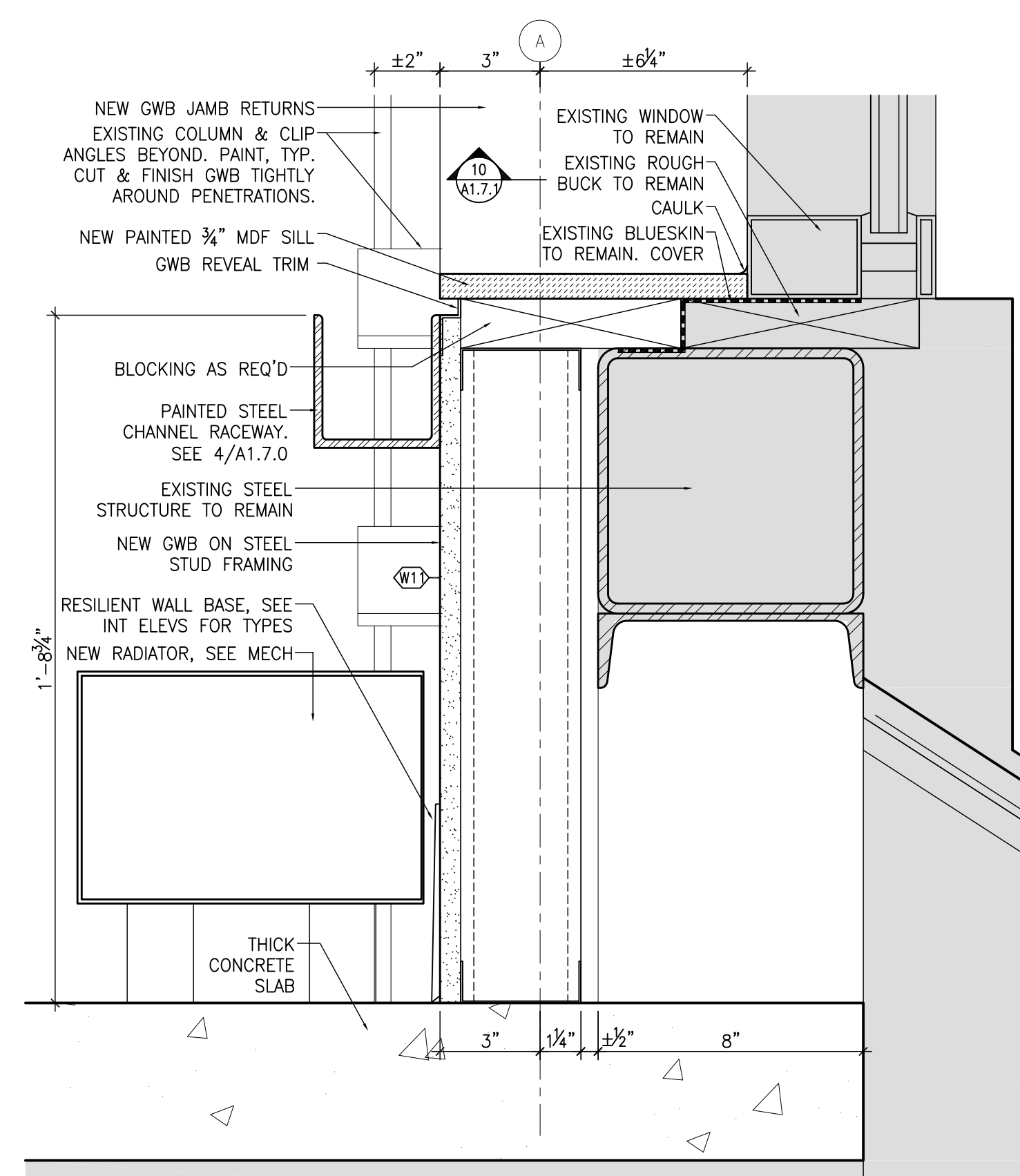
SECTION DETAIL AT EXISTING WINDOWS ON GRID E



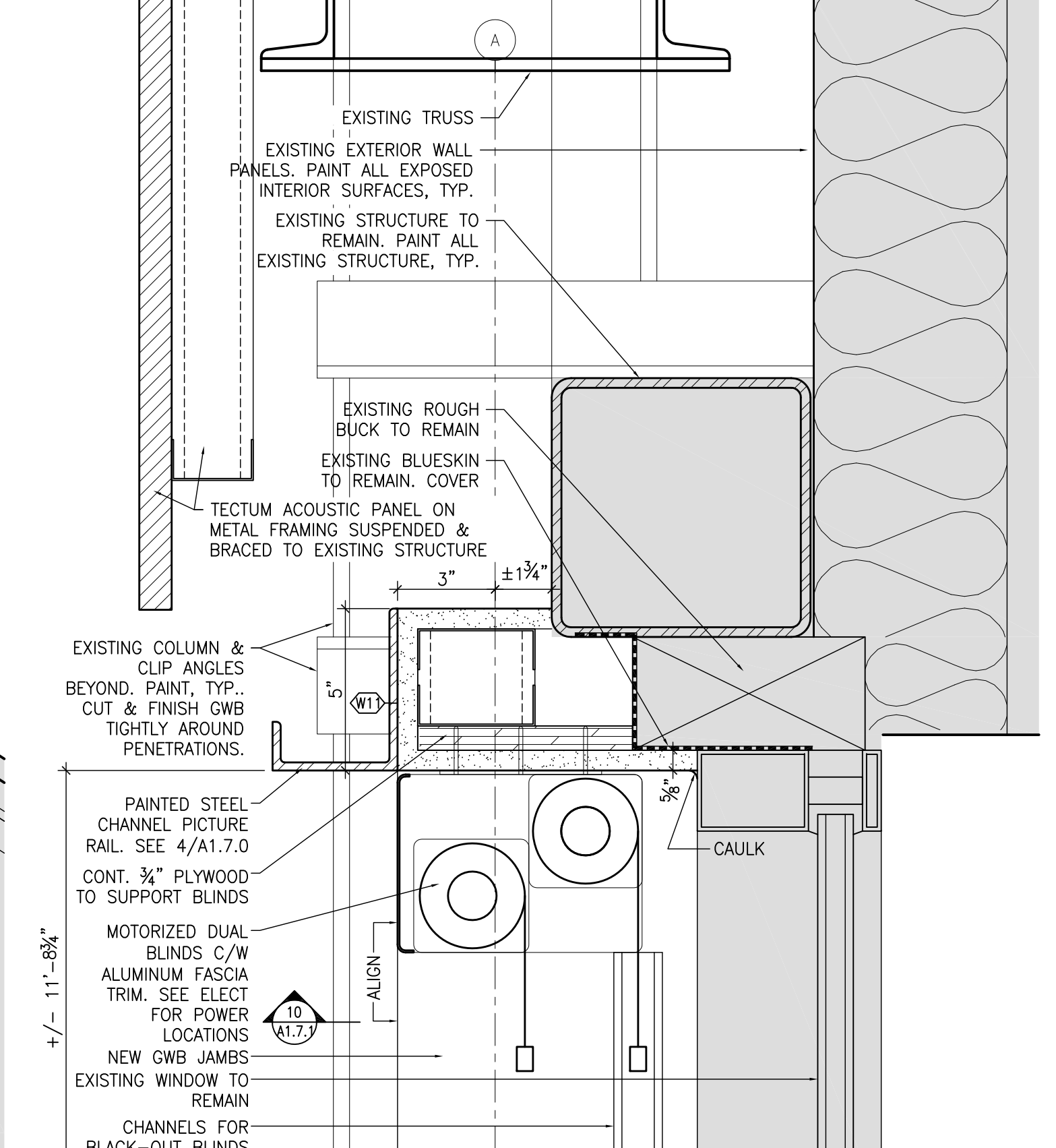
SECTION DETAIL AT EXISTING WINDOWS ON GRID E



PLAN DETAIL AT EXISTING WINDOWS ON GRID E

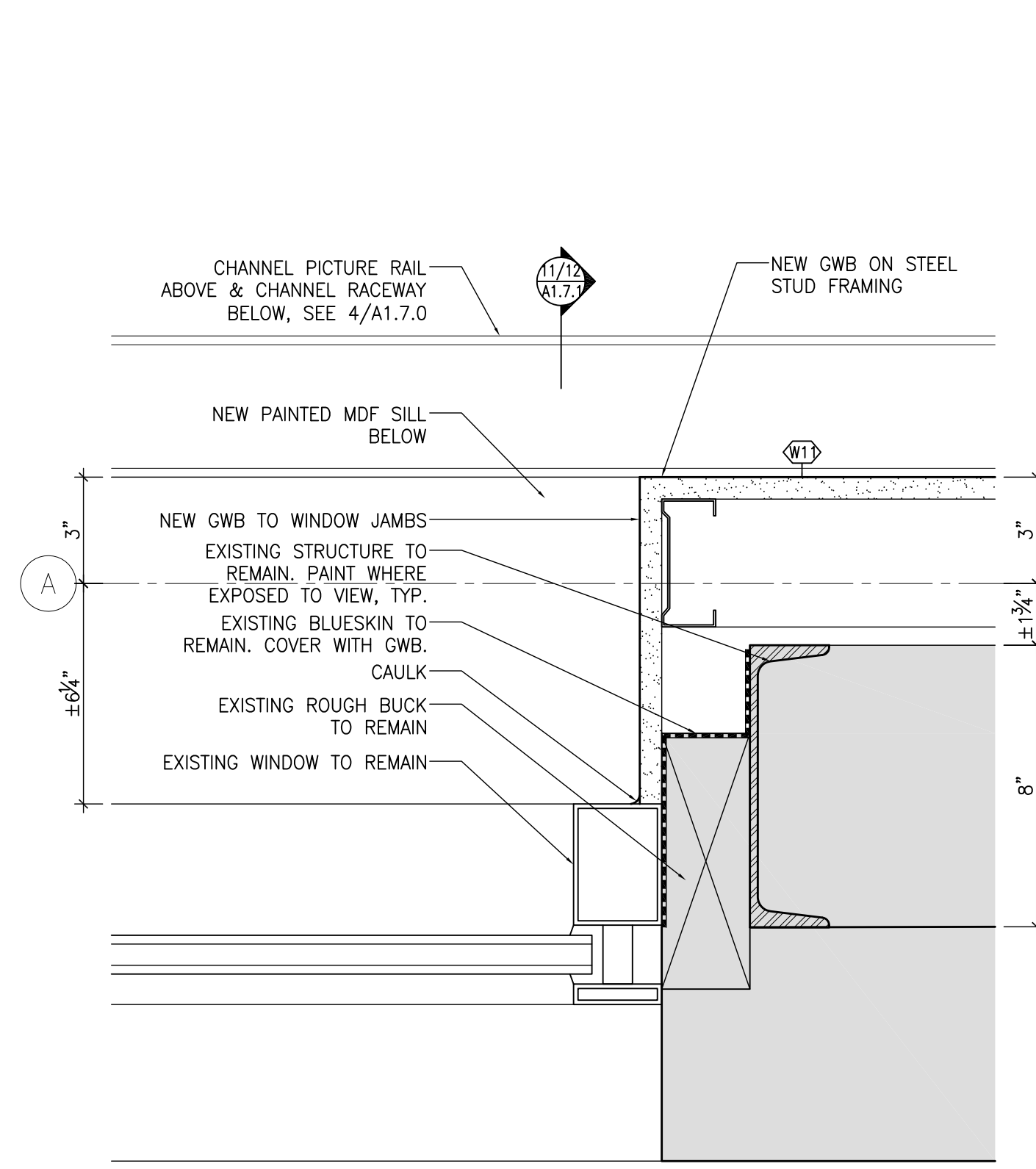


SECTION DETAIL AT EXISTING WINDOWS ON GRID A

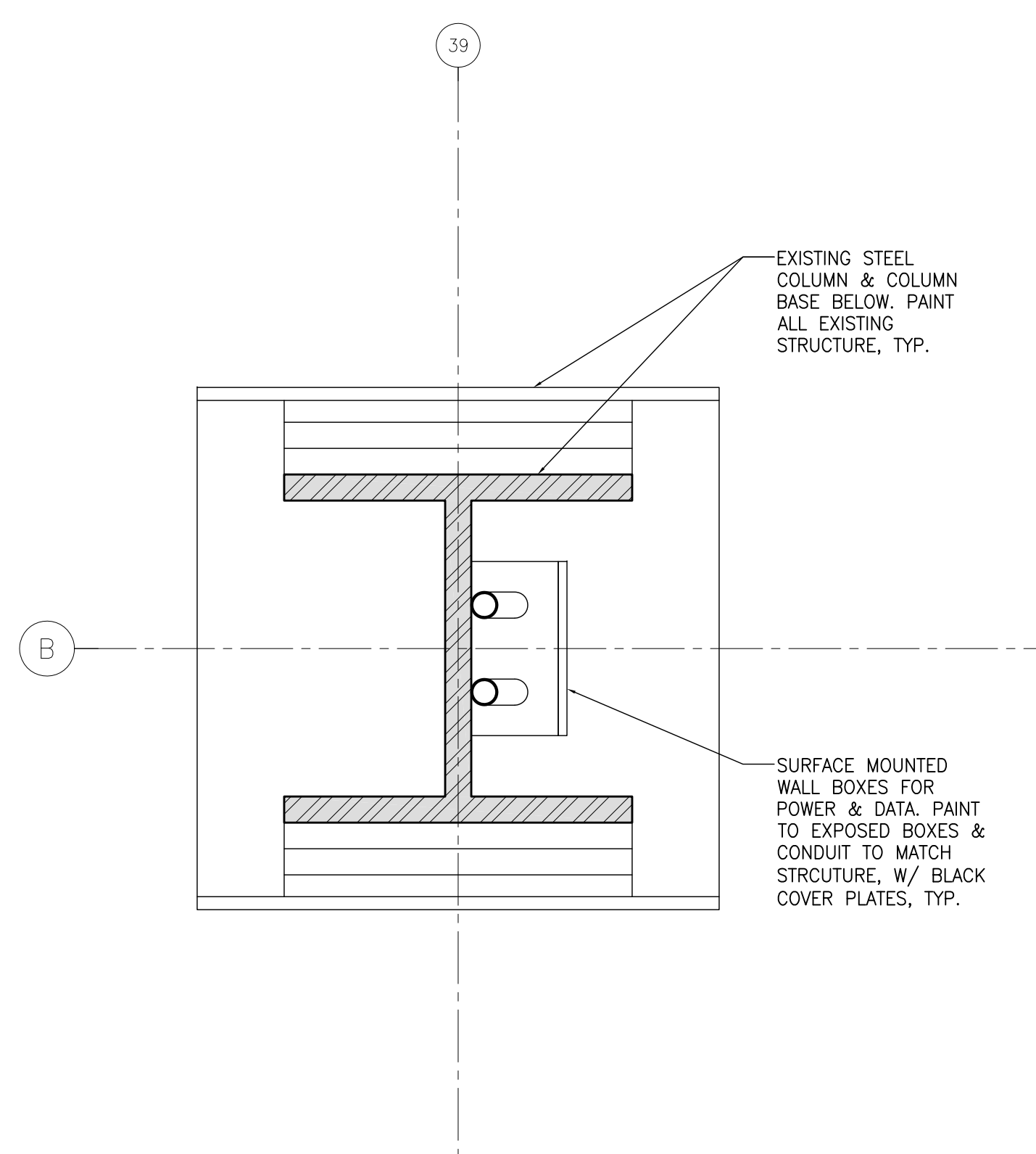


SECTION DETAIL AT EXISTING WINDOWS ON GRID A

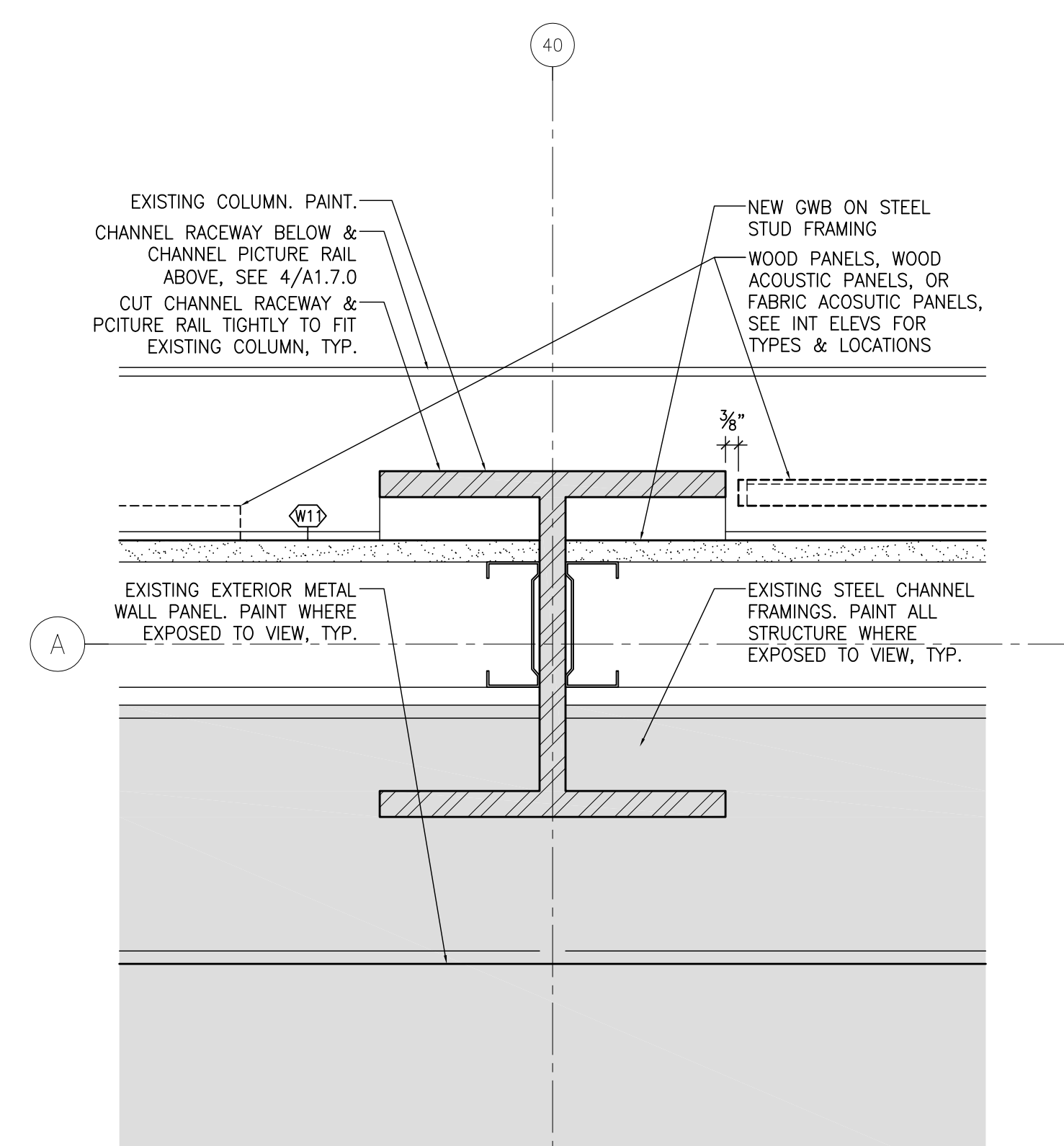
IMPERIAL SCALE DRAWING  
FIRST FLOOR ELEV. 00.00m  
1 ISSUED FOR TENDER 13 JUNE 2014  
2 ISSUED FOR TENDER 11 JULY 2014



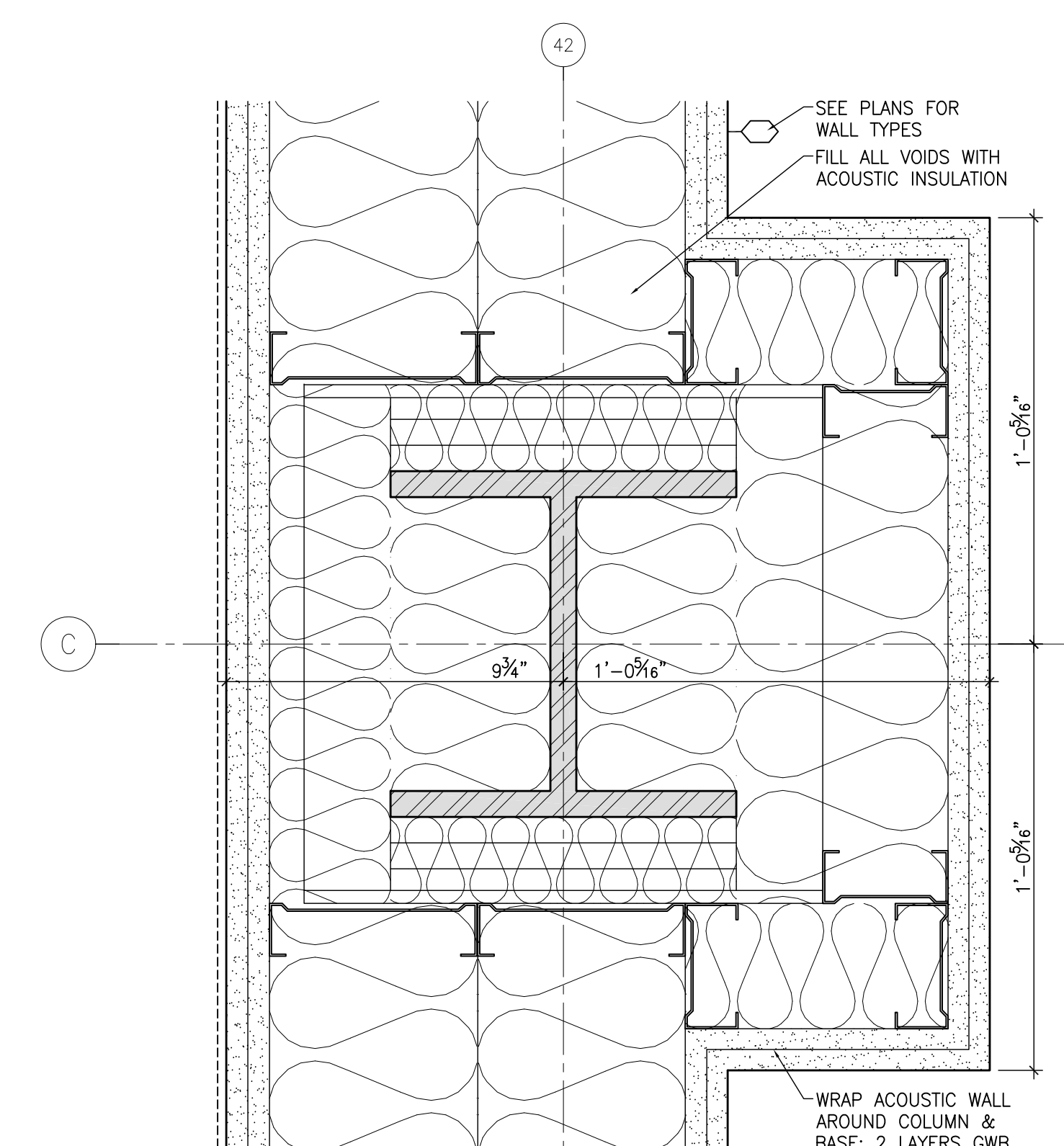
PLAN DETAIL AT EXISTING WINDOWS ON GRID A



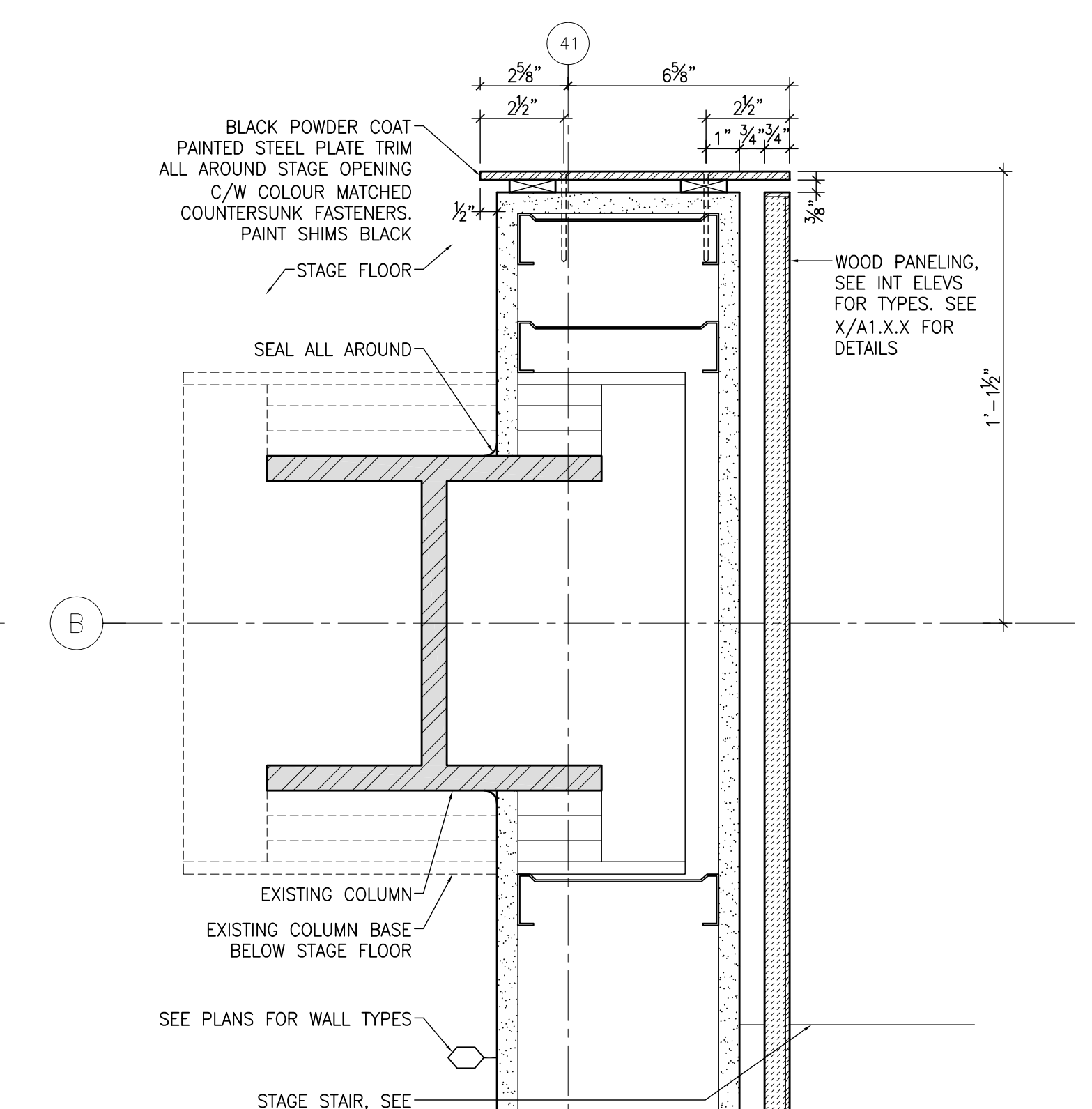
PLAN DETAIL AT COLUMN B-39



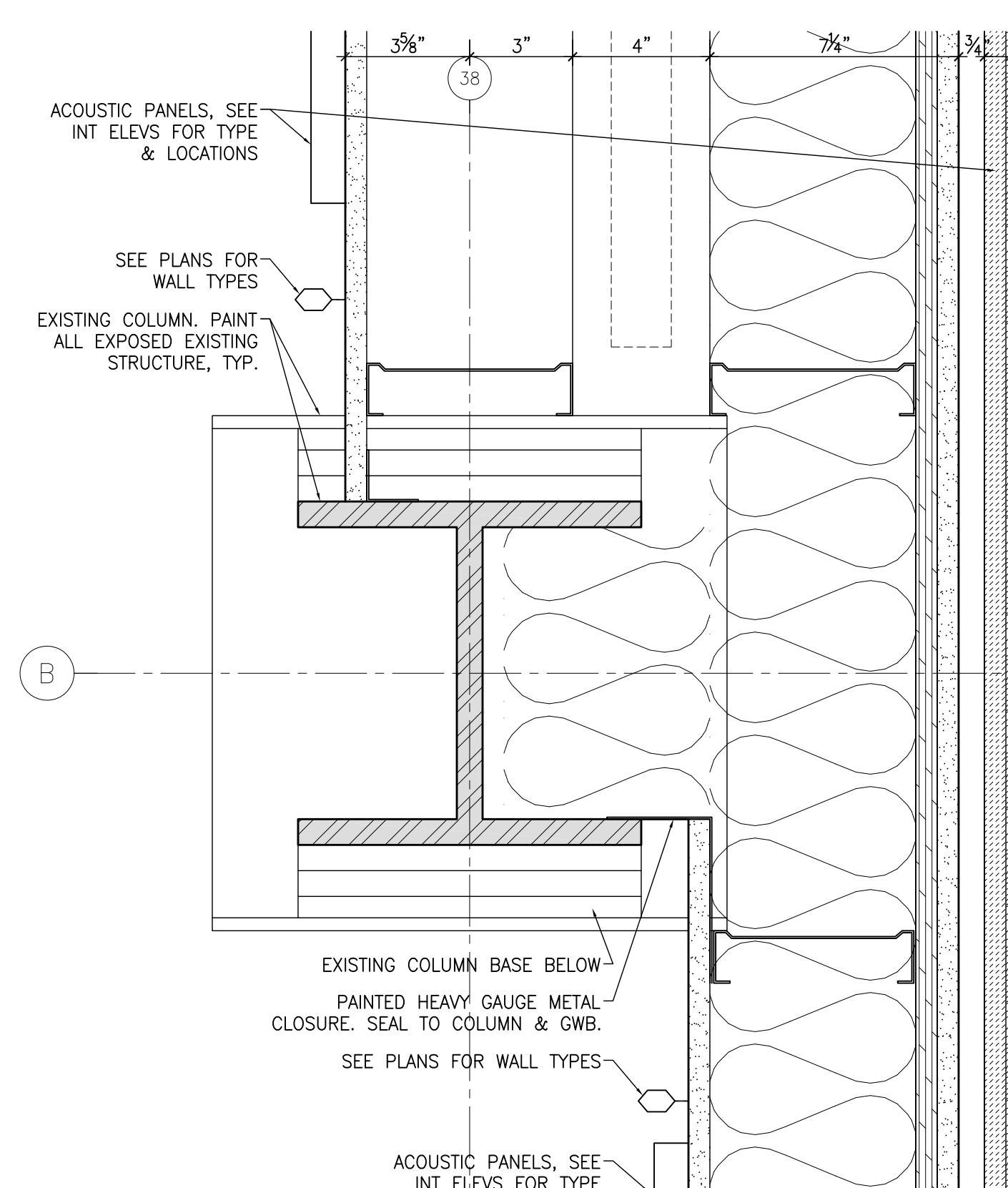
PLAN DETAIL AT COLUMN A-40



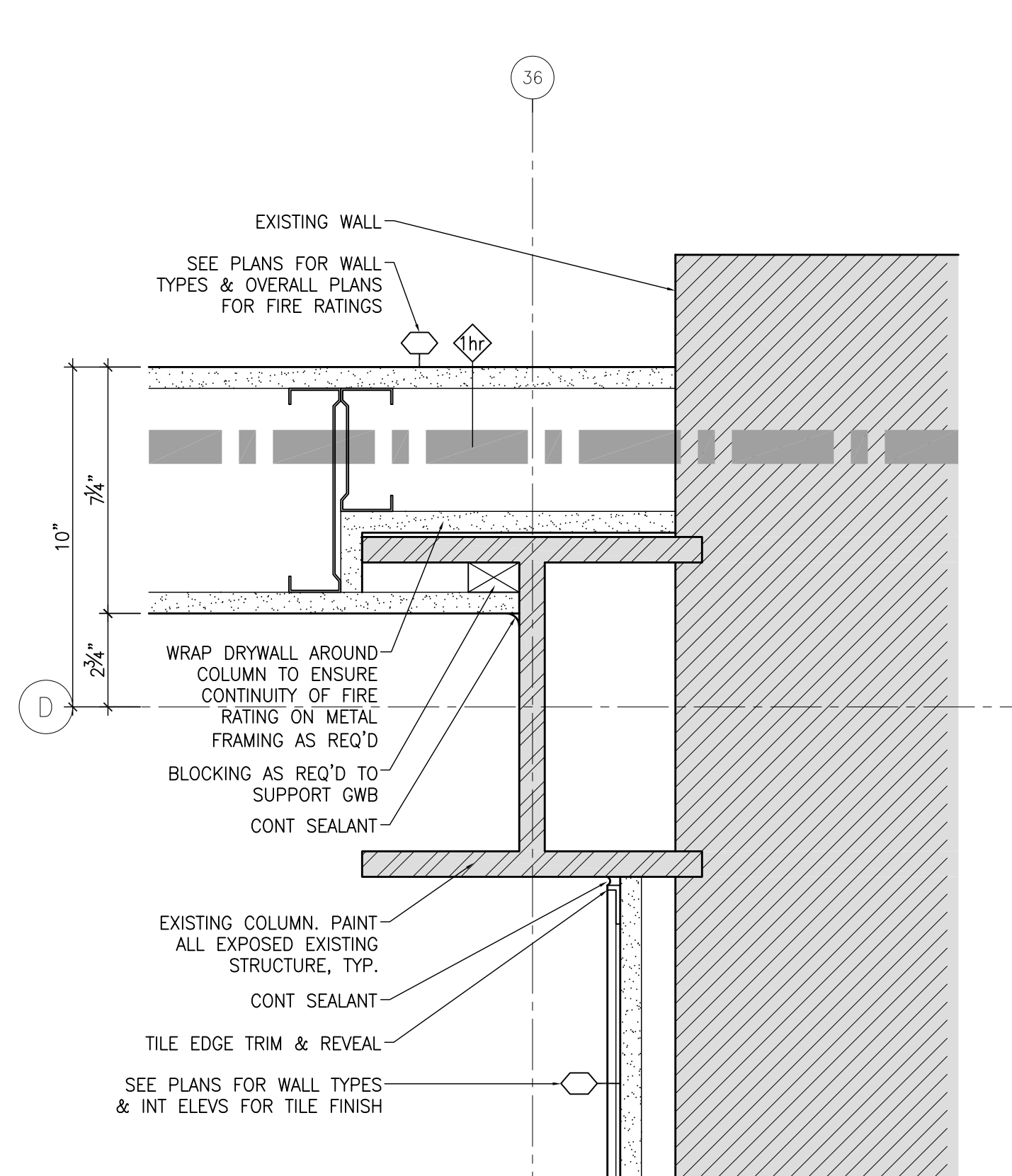
PLAN DETAIL AT COLUMN C-42



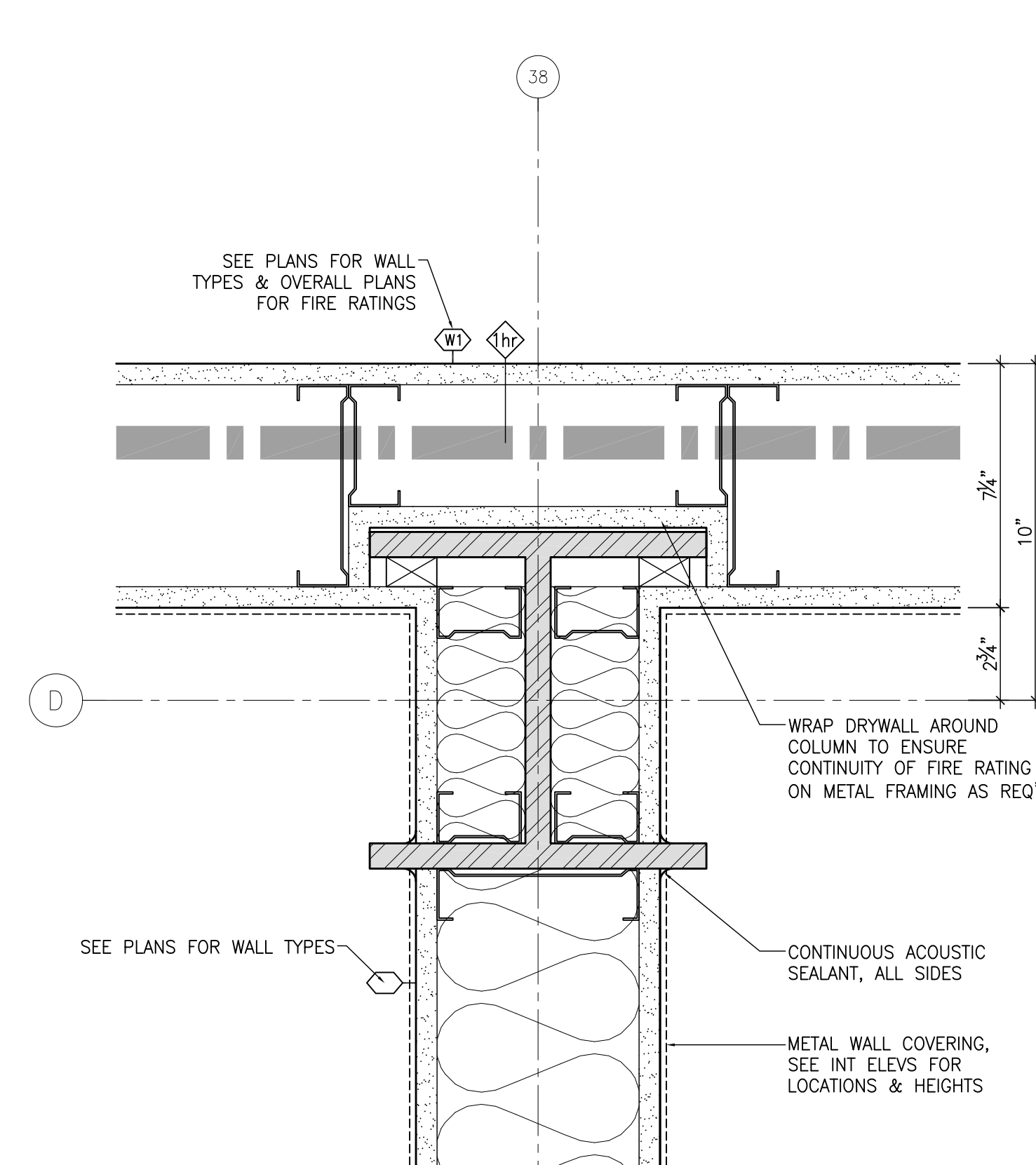
PLAN DETAIL AT COLUMN B-38



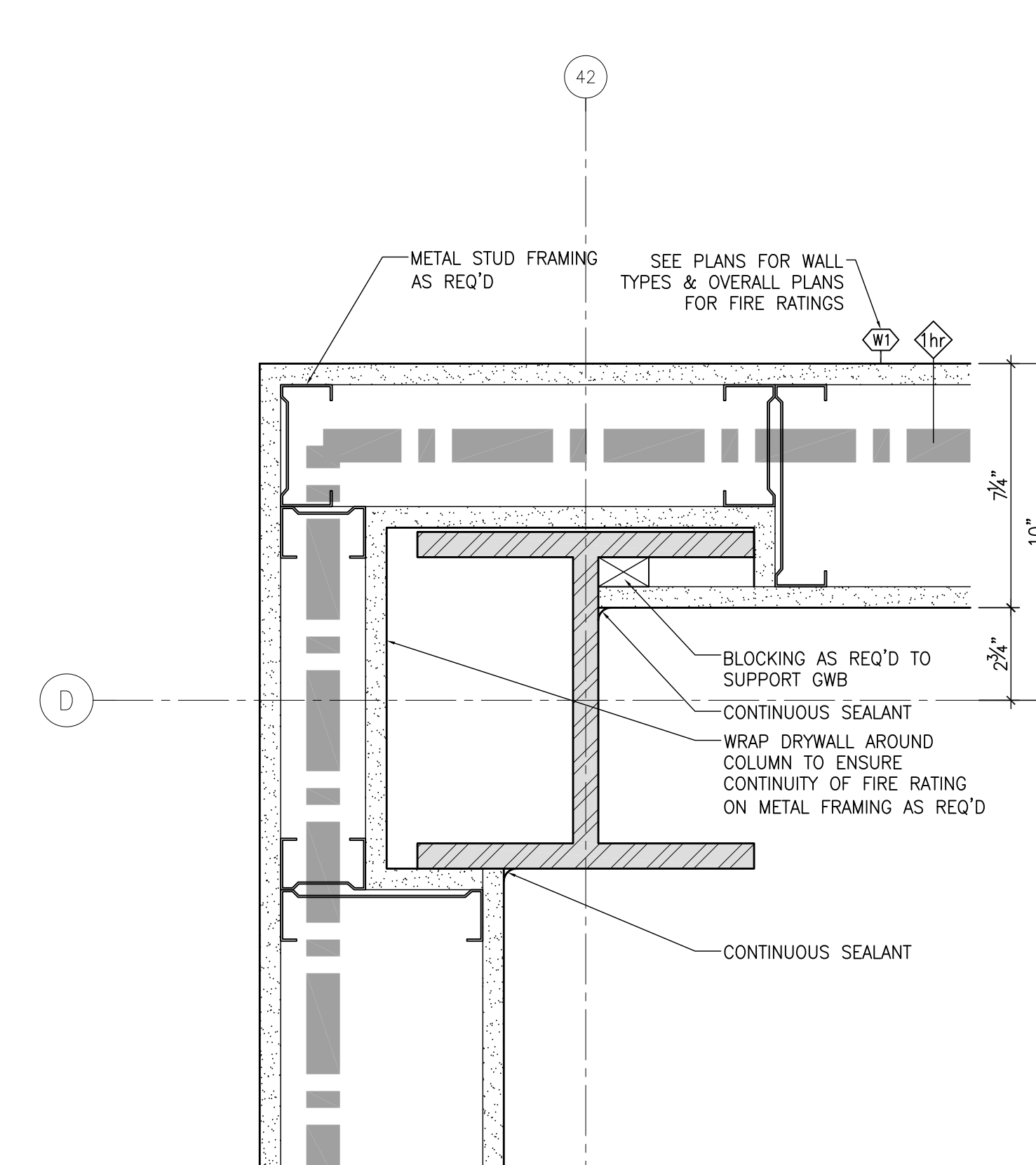
PLAN DETAIL AT COLUMN B-38



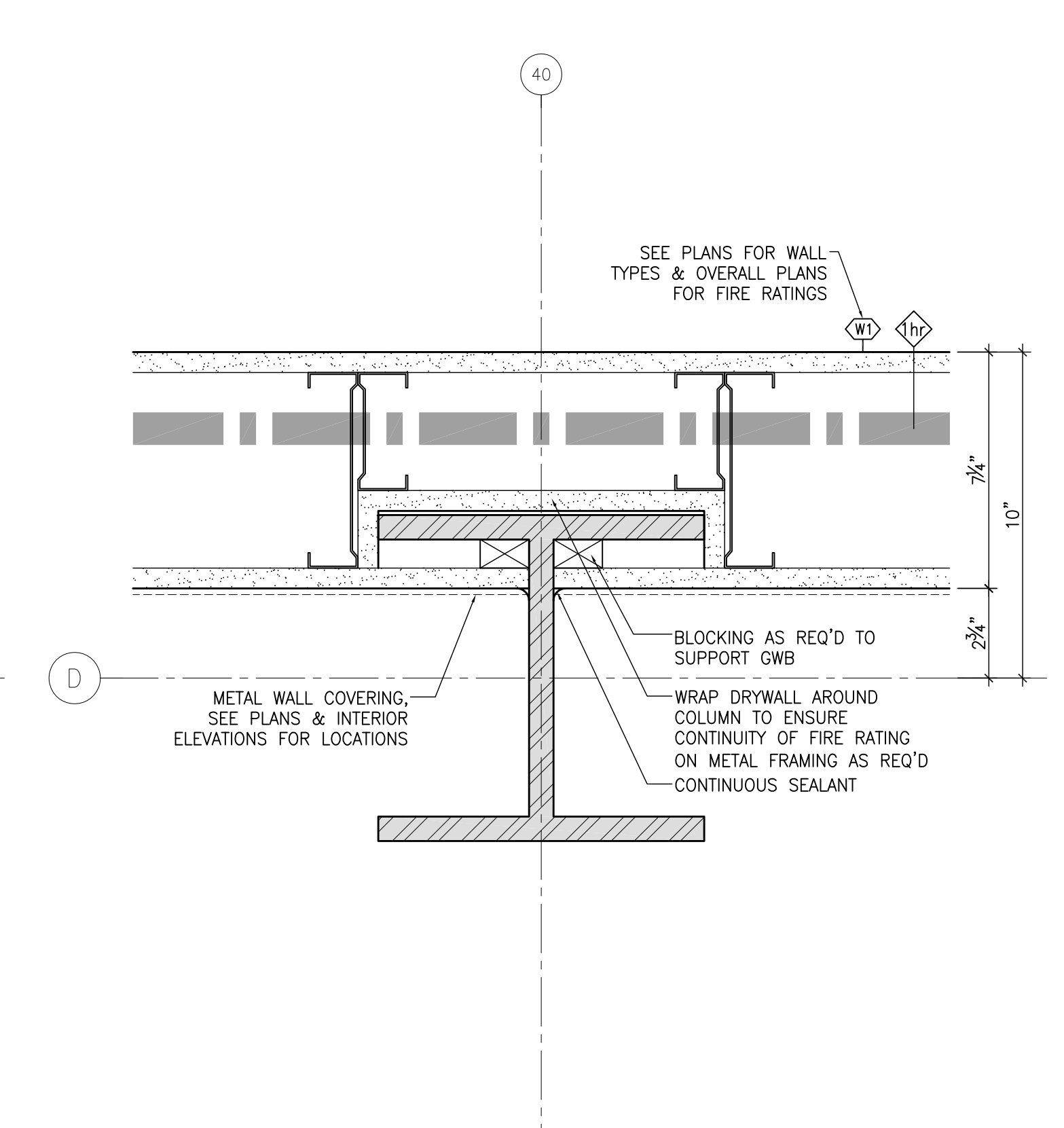
PLAN DETAIL AT COLUMN D-36



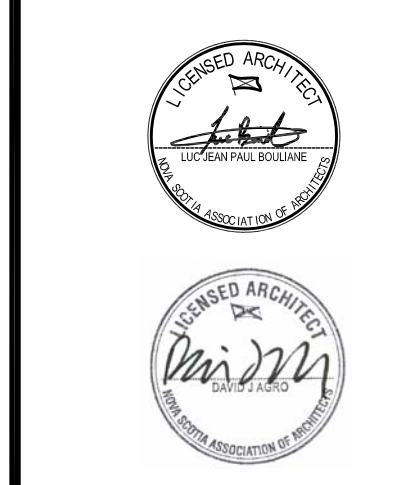
PLAN DETAIL AT COLUMN D-38



PLAN DETAIL AT COLUMN D-42



PLAN DETAIL AT COLUMN D-40



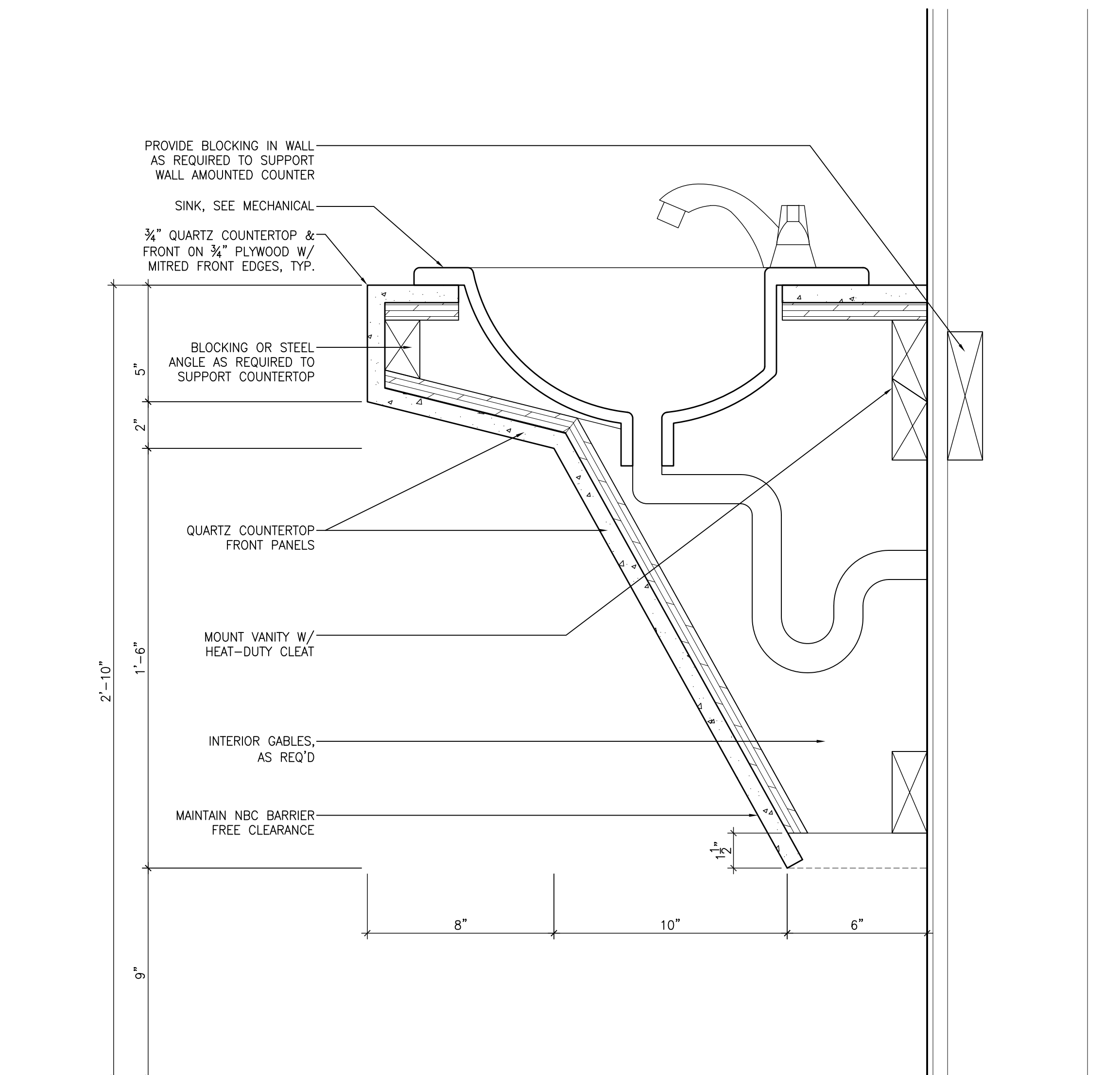
Luc Bouliane Architect Inc + David J Agro Architect Inc  
1259 Dundas Street West, Toronto, M6J 1X6 Tel: 416 300 0656  
CANADIAN MUSEUM OF IMMIGRATION AT PEIR 21

project no: 13-005  
scale: AS NOTED  
drawn by: LB / GJA  
reviewed by: 28/04/11  
date:

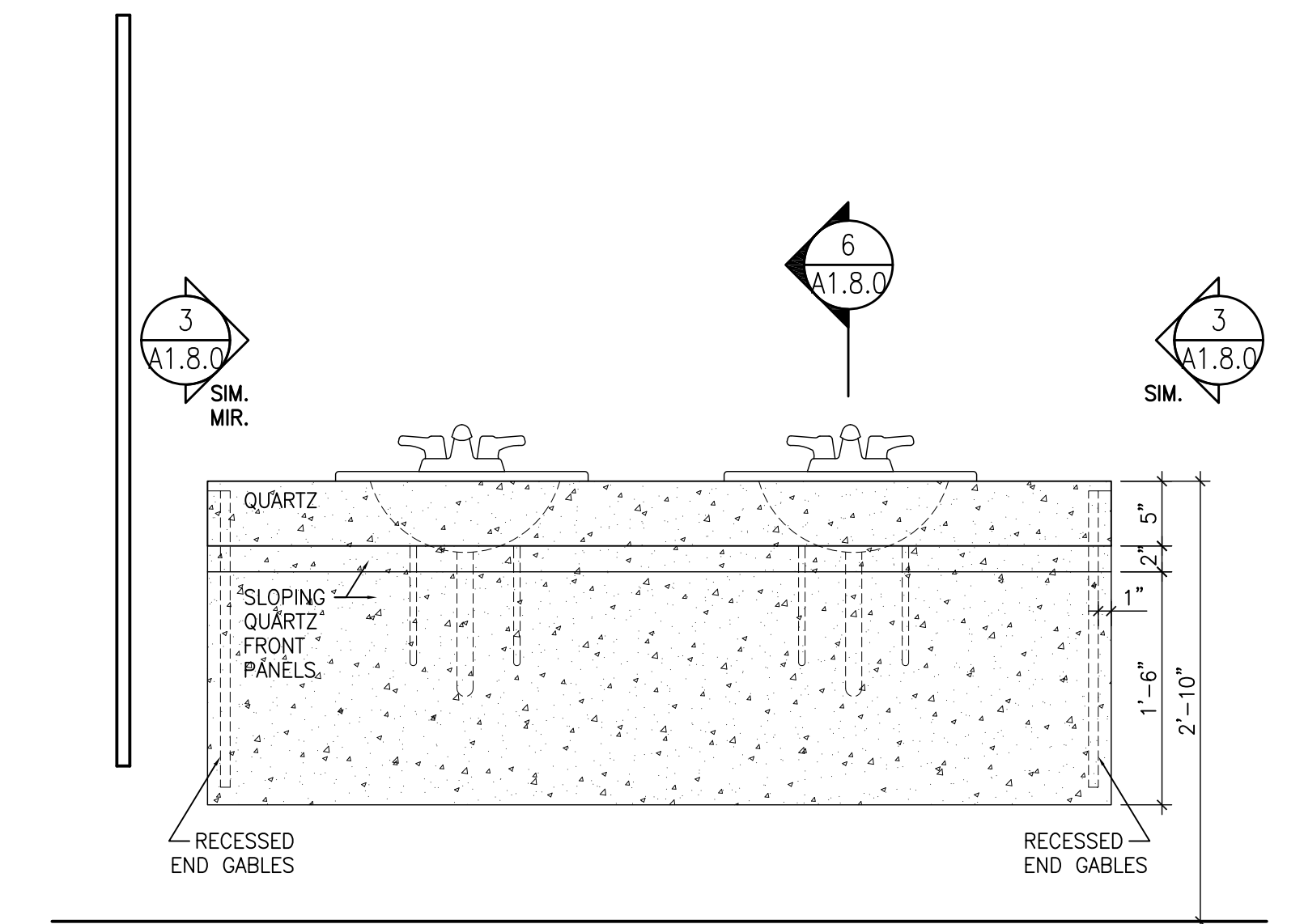
PLAN & SECTION DETAILS

A1.7.1

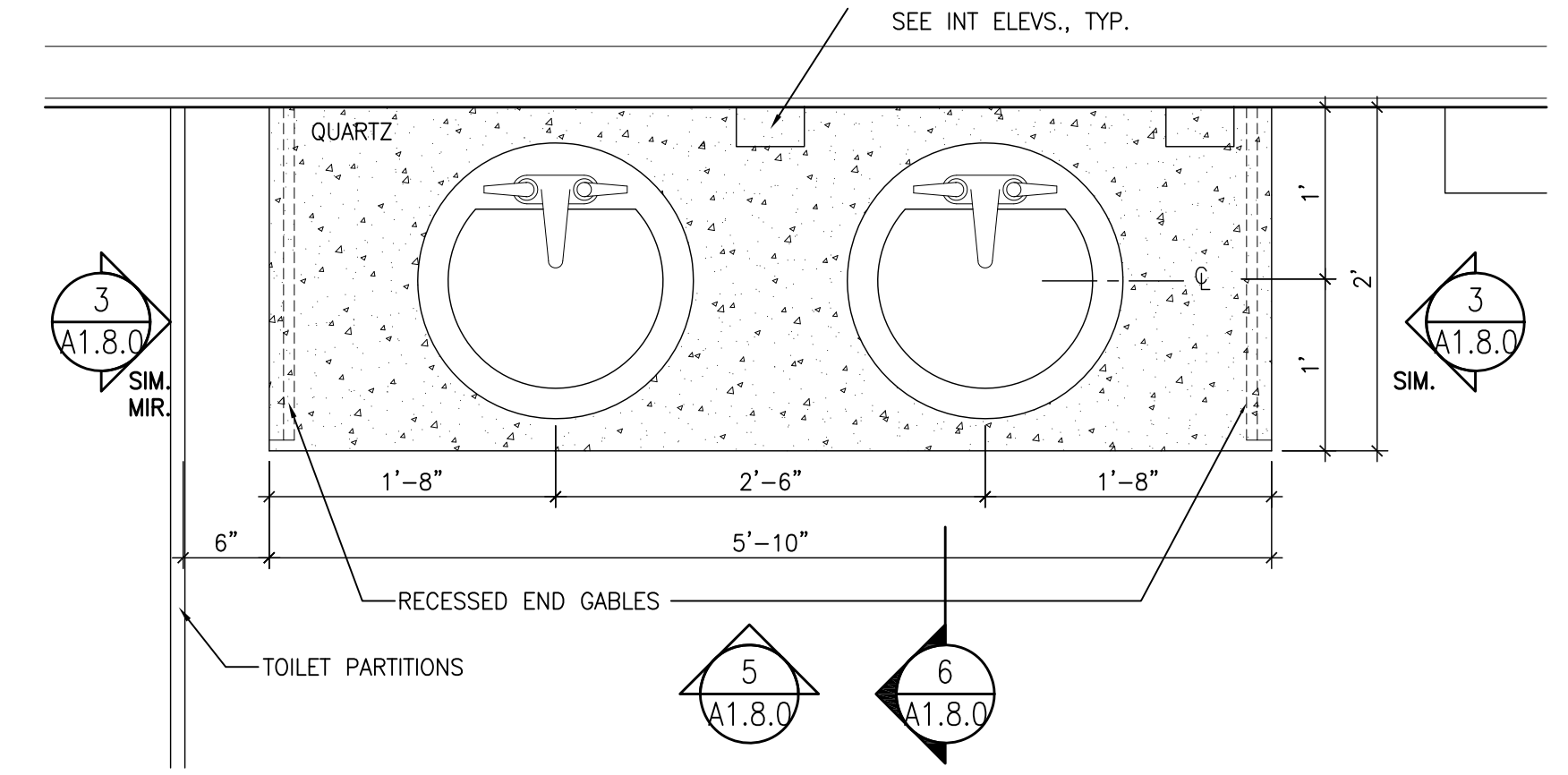




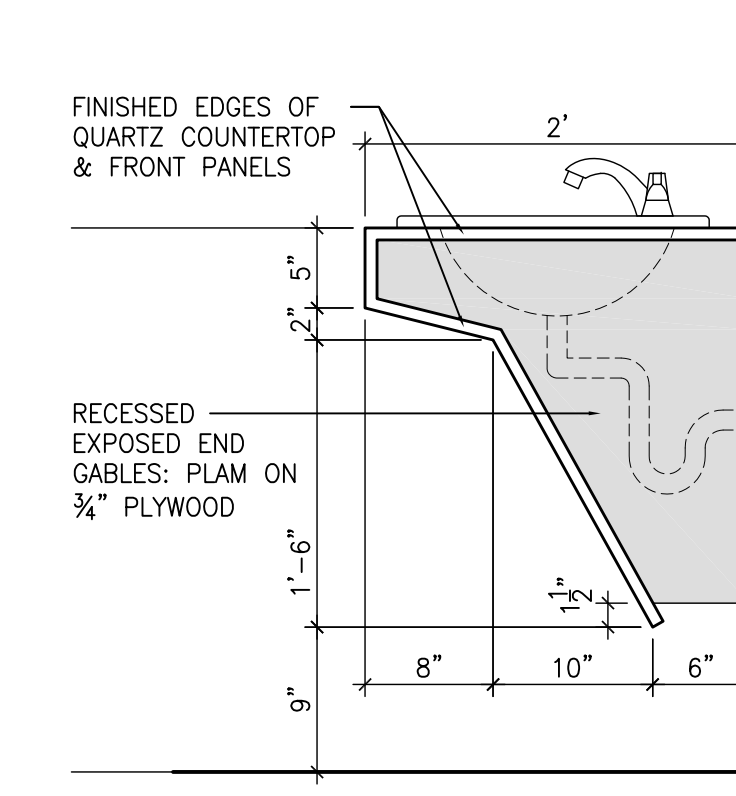
6 VANITY - SECTION  
1/8" = 1'-0"



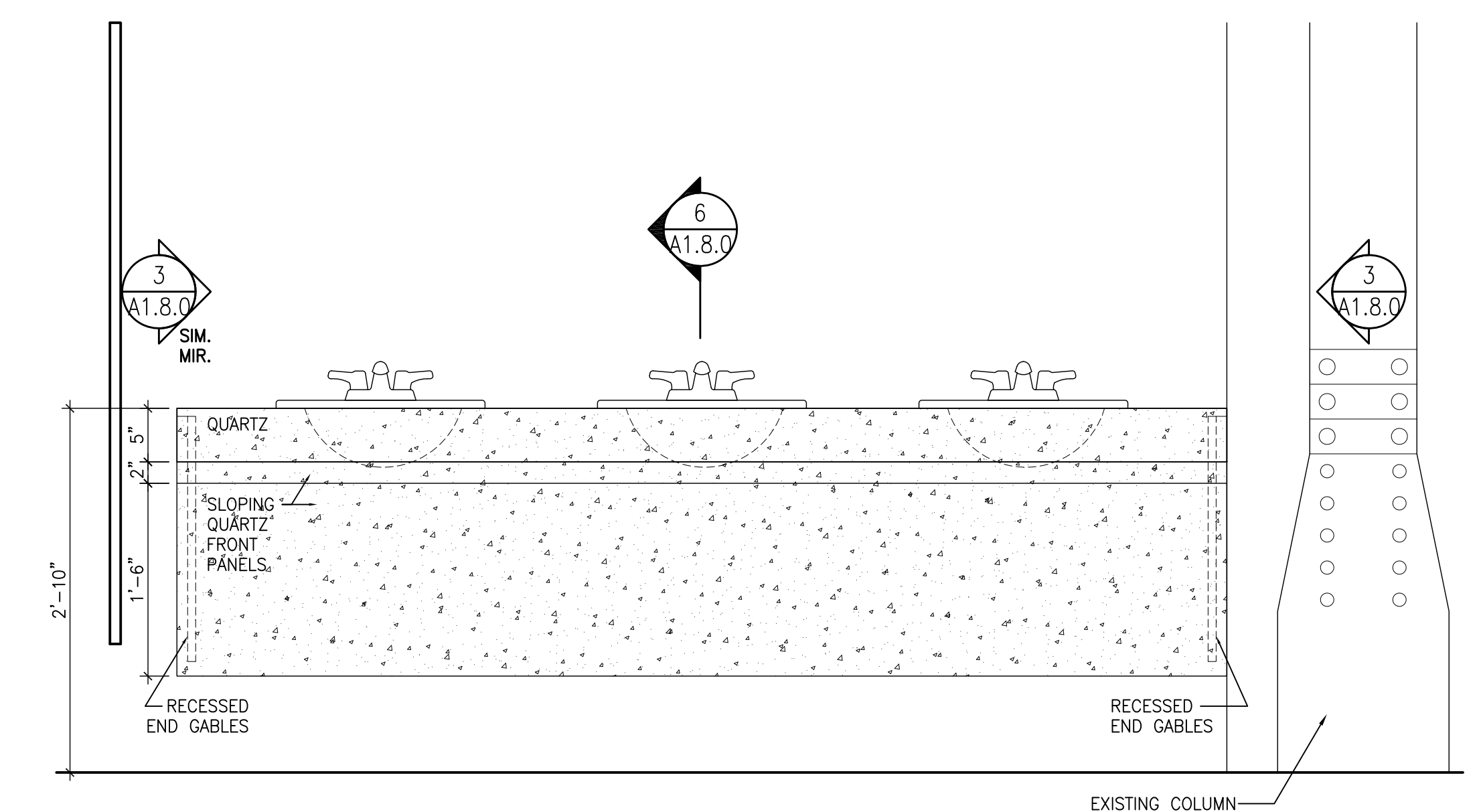
5 MW02 - MEN'S VANITY - ELEVATION  
1/8" = 1'-0"



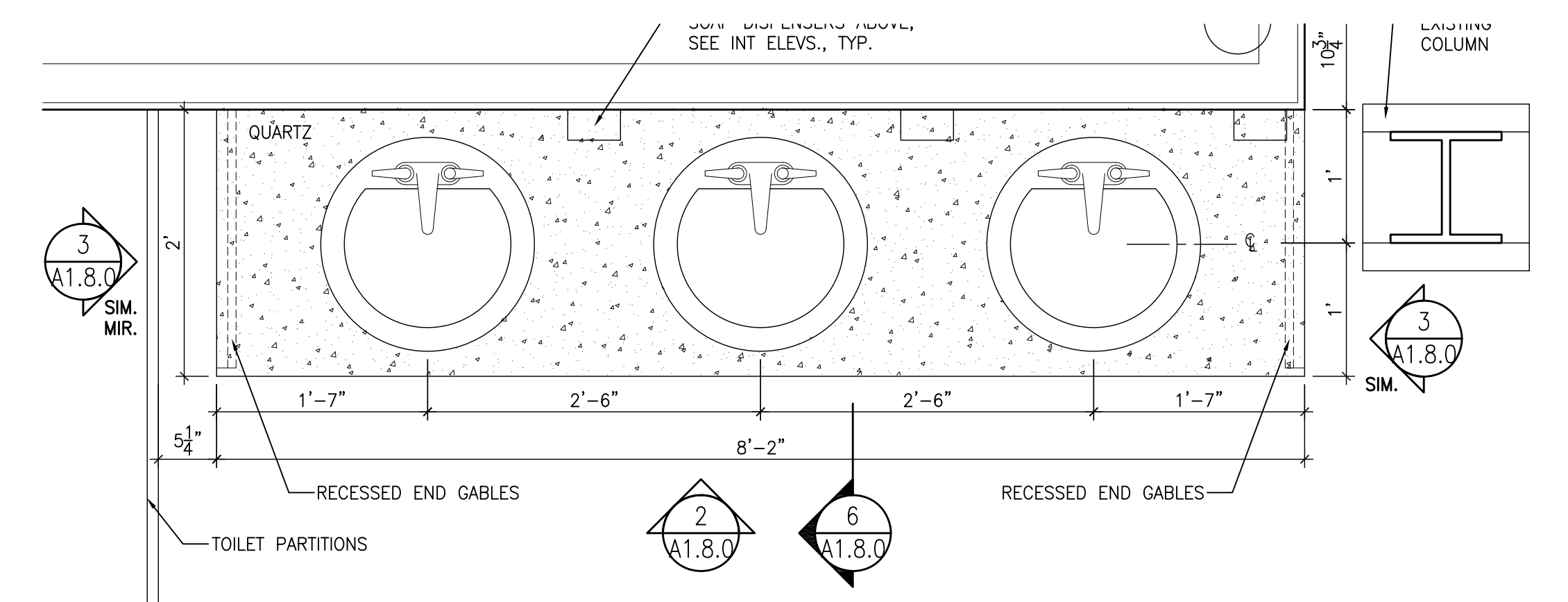
4 MW02 - MEN'S VANITY - PLAN  
1/8" = 1'-0"



3 MW01 - END ELEVATION  
1/8" = 1'-0"



2 MW01 - WOMEN'S VANITY - ELEVATION  
1/8" = 1'-0"



1 MW01 - WOMEN'S VANITY - PLAN  
1/8" = 1'-0"



Luc Bouliane Architect Inc + David J Agro Architect Inc  
1259 Dundas Street West, Toronto, M6J 1X6 Tel: 416 300 0656

CANADIAN MUSEUM OF IMMIGRATION AT PEIR 21

project no: 13-005  
scale: AS NOTED  
drawn by: LB / QUA  
reviewed by: 2014.04.11  
date:

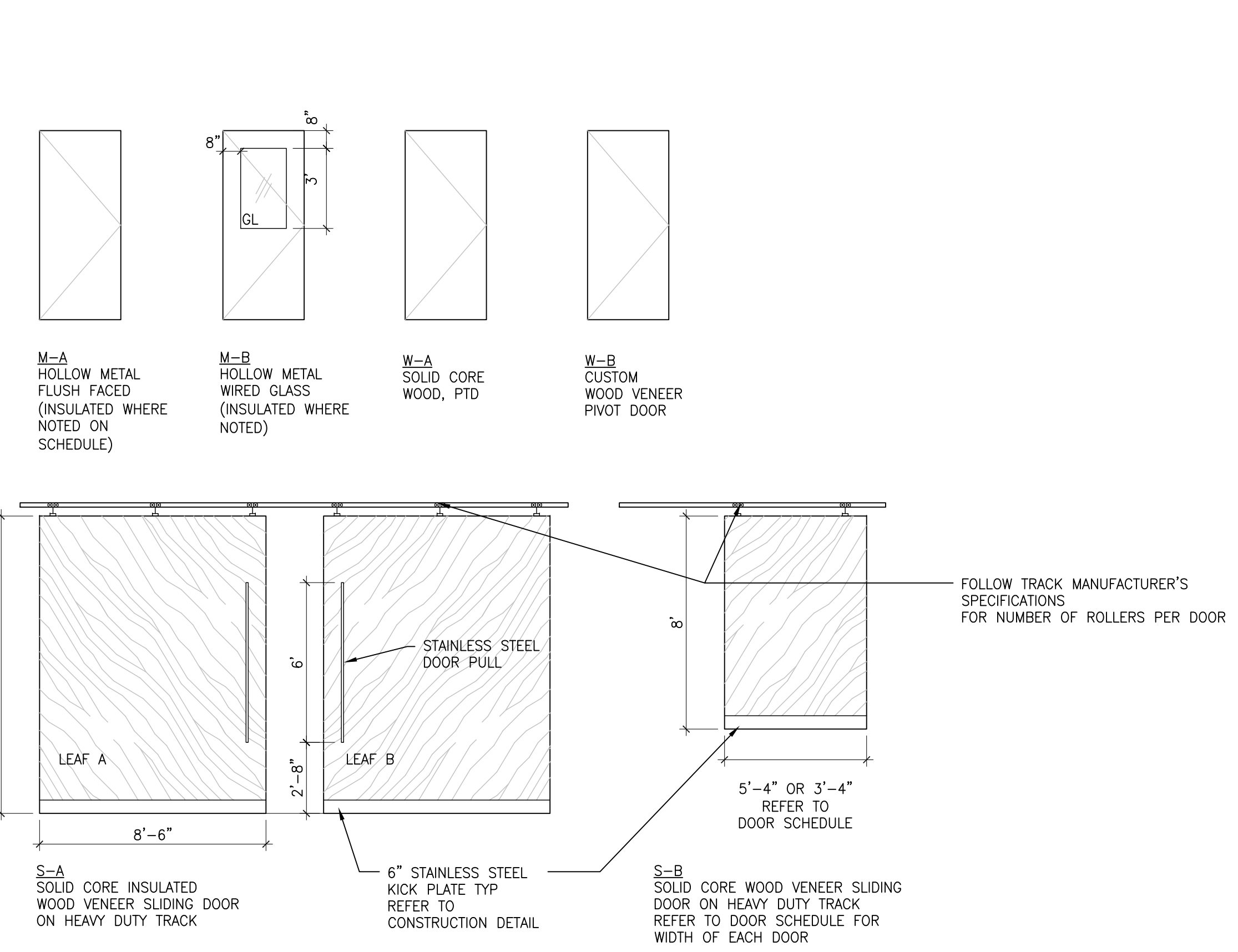
MILLWORK

A1.8.0

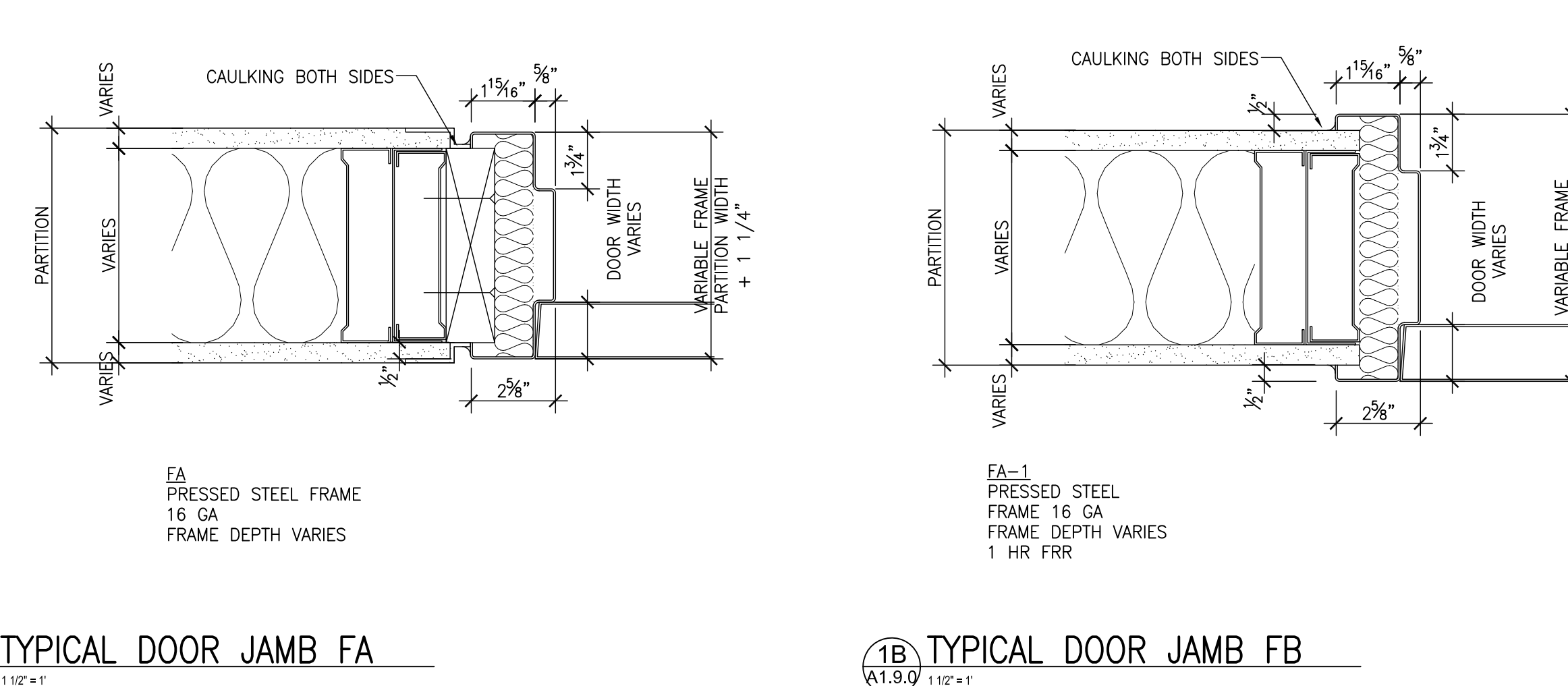


Door Number	DOOR / CLOSURE PANELS							FIRE RATINGS	DOOR CONTACT	GENERAL NOTES								
	TYPE	DIMENSIONS (")			MATERIAL	FINISH	GLAZING TYPE				WIDTH	HEIGHT	MATERIAL	FINISH	FRAME TYPE	PARTITION TYPE	PARTITION THICKNESS	
		THICK.	WIDTH 1	WIDTH 2	HEIGHT													
127	M-A	1-3/4"	36		96	HM/NS	PT			40	98	ST/PS	PT	FA W9	7-1/4"			Hold Open Device SS Kick Plate
128	M-A	1-3/4"	36		96	HM/NS	PT			40	98	ST/PS	PT	FA W9	7-1/4"			Hold Open Device SS Kick Plate
128A	M-A	1-3/4"	36		96	HM	PT			40	98	ST/PS	PT	FA W8	7-1/4"			Hold Open Device SS Kick Plate
129	M-A	1-3/4"	36		96	HM	PT			40	98	ST/PS	PT	FA W7	7-1/4"			Hold Open Device SS Kick Plate
130-A	M-A	1-3/4"	36	36	96	HM/INS	PT			76	98	ST/PS	PT	FA W1	7-1/4"			This door is not lockable - no panic hardware required Insulated for sound control Provide Mechanical Hold-open device
130-B	M-A	1-3/4"	36	36	96	HM/FR INS	PT	n/a		76	98	ST/PS	PT	FA-1 W1	7-1/4"	1 hr	Yes	Lockable Exit Door with panic hardware Insulated for sound control Maglock
131	M-A	1-3/4"	36	36	96	HM	PT	n/a		76	98	ST/PS	PT	FA W7	7-1/4"			
133-A	S-A	2"	102	102	134	SCW INS	UR	n/a		196	132							Custom Door Prefinished with 2 Part Catadytic Laquer Finish Spray Coated and Shop Applied Sliding Door Hardware Insulated for Sound Control
133-B	W-A	1-3/4"	36	36	96	SCW	PT	n/a		76	98	ST/PS	PT	FA W4	7-4/8"			Hold Open Device These doors need to open and close quietly
133-C	M-A	1-3/4"	35 1/2	35 1/2	96	HM/FR INS	PT	n/a		76	98	ST/PS	PT	FA-1 W1	7-1/4"	1 hr	Yes	Lockable Exit Door with panic hardware Insulated for sound control
133-D	M-A	1-3/4"	35 1/2	35 1/2	96	HM/FR INS	PT	n/a		76	98	ST/PS	PT	FA-1 W1	7-1/4"	1 hr	Yes	Lockable Exit Door with panic hardware Insulated for sound control
133-E	M-A	1-3/4"	36		96	HM/NS	PT			40	98	ST/PS	PT	FA W1	7-1/4"			Hold Open Device
133A-1	W-B	1-3/4"	36	36	96	SCW	PT			76	98			W1	7-1/4"			Custom Pivot Door Rixon Pivot Hinge Wood Veneer Sound Panels Double doors with lock - one door to be pinned to floor and frame
133B-1	W-B	1-3/4"	46		94	AP/WD	UR							W1	7-1/4"			Custom Pivot Door Rixon Pivot Hinge Wood Veneer Sound Panels
133B-2	W-B	1-3/4"	46		94	AP/WD	UR							W1	7-1/4"			Custom Pivot Door Rixon Pivot Hinge Wood Veneer Sound Panels
133B-3	W-B	1-3/4"	46		94	AP/WD	UR							W1	7-1/4"			Custom Pivot Door Rixon Pivot Hinge Wood Veneer Sound Panels
133C-4	W-B	1-3/4"	46		94	AP/WD	UR							W1	7-1/4"			Custom Pivot Door Rixon Pivot Hinge Wood Veneer Sound Panels
133F	W-B	1-3/4"	34		94	SCW/INS	UR	ASH VENEER		35	98			W1	7-1/4"			Custom Pivot Door Rixon Pivot Hinge Wood Veneer Sound Panels
134							PT							N/A				Existing Door Add Maglock
135	W-A	1-3/4"	36		96	SCW INS	PT			40	98	ST/PS	PT	W3	7-1/4"			Lockable
135A	M-A	1-3/4"	36		96	HM/FR INS	PT	n/a		40	98	ST/PS	PT	FA-1 W1	7-1/4"	1 hr	Yes	Lockable Exit Door with panic hardware Insulated for sound control
136	W-A	1-3/4"	36		96	SCW	PT			40	98	ST/PS	PT	FA W3	7-1/4"			
137	W-A	1-3/4"	36		96	SCW	PT			40	98	ST/PS	PT	FA W3	7-1/4"			
138																		RESERVED
139	M-A	1-3/4"	76		96	HM INS	PT			40	98	ST/PS	PT	FA W1	7-1/4"			Lockable
140	M-B	1-3/4"	36	36	96	HM/FR INS	PT	GW		76	98	ST/PS	PT	FA-1 W1	7-1/4"	1 hr	Yes	Lockable Exit Door with panic hardware Insulated for sound control
141	S-B	1-3/4"	62		96	SCW INS	UR	ASH VENEER		59	98							Pocket Door - Sliding Door Hardware Lockable
142	M-B	1-3/4"	36	36	96	HM INS	GW					ST/PS	PT	FA-1		1 hr		Door to Exterior Stair Lockable
143	M-B	1-3/4"	36	36	96*	HM INS	GW					ST/PS	PT	FA-1		1 hr		Door to Exterior Stair Lockable * Current Rough Opening is 97" Will be larger when floor is adjusted Contractor to review existing condition on site with architect
144																		RESERVED
145	W-A	1-3/4"	36		96	SCW INS				40	98	ST/PS	PT	FA W3	7-1/4"			Sound Insulated Door
145-B	W-B	1-3/4"	32		96	HCV				36	98	ST/PS	PT	FA W12	4-7/8"			Door to be lockable
147	M-A	1-3/4"	36		96	HM INS				40	98	ST/PS	PT	FA W1	7-1/4"			Lockable
201																		RESERVED
202	M-A	1-3/4"	36		96	SCW	PT			40	98	ST/PS	PT	FA-1 W14	4-7/8"	1hr		
203	M-A	1-3/4"	36		96	SCW	PT			40	98	ST/PS	PT	FA W14	4-7/8"			
204																		Existing Door - No Action Required
205																		Existing Door - No Action Required
206	M-A	1-3/4"	36		96	SCW	PT			40	98	ST/PS	PT	FA-1 W14	4-7/8"	1hr		Replace Existing Door with Fire Rated Door
207	M-A	1-3/4"	36		96	SCW	PT			40	98	ST/PS	PT	FA W14	4-7/8"			

DOOR TYPES:



FRAME TYPES:

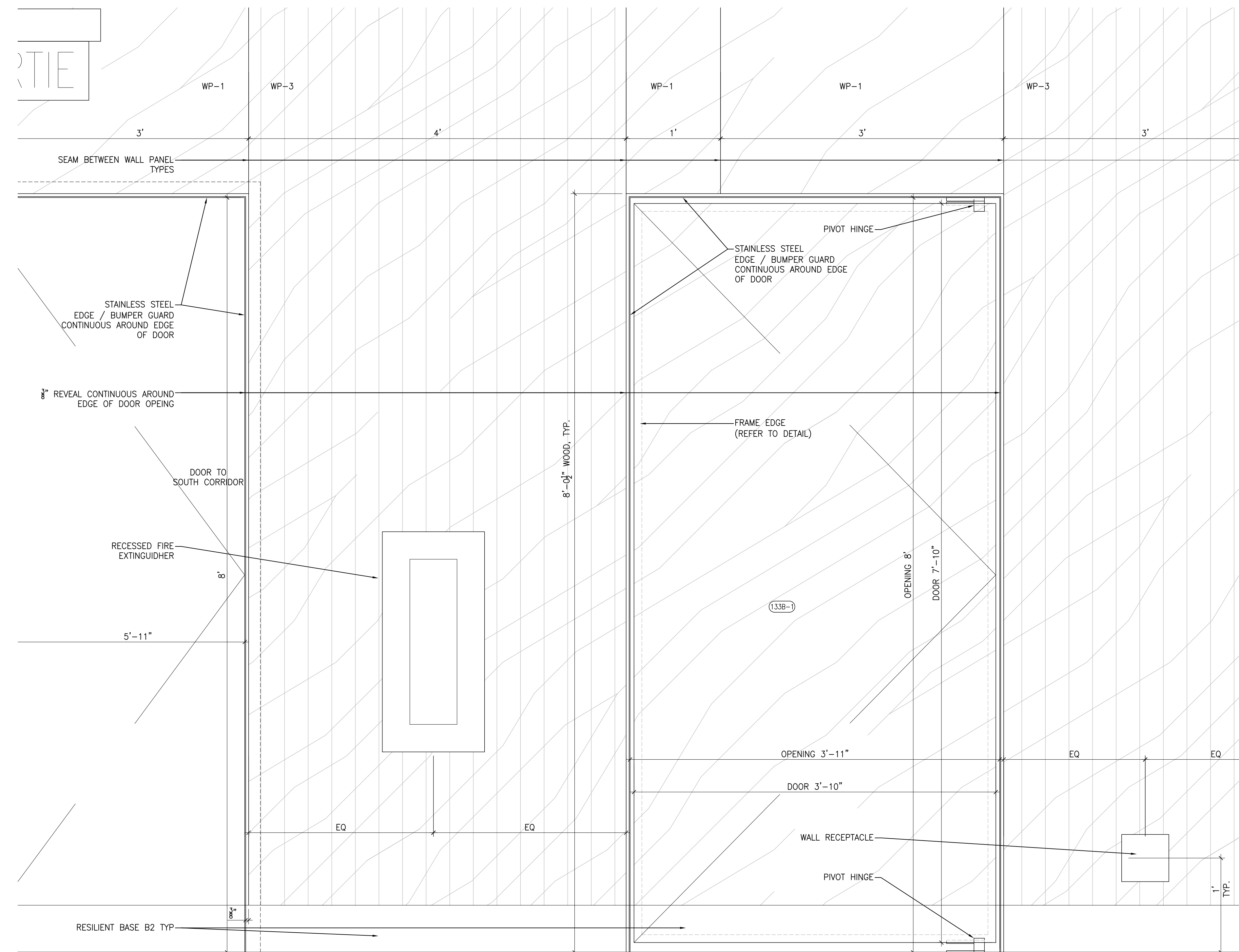


MATERIAL LEGEND

- AP ACOUSTIC PANEL
- FR FIRE RESISTANT
- FRR FIRE RESISTANCE RATING
- GW GEORGIAN WIRE GLASS
- HM HOLLOW METAL
- INS INSULATED
- PT PAINTED
- PS PRESSED STEEL
- ST STEEL
- UR URETHANE
- WD WOOD

1A TYPICAL DOOR JAMB FA

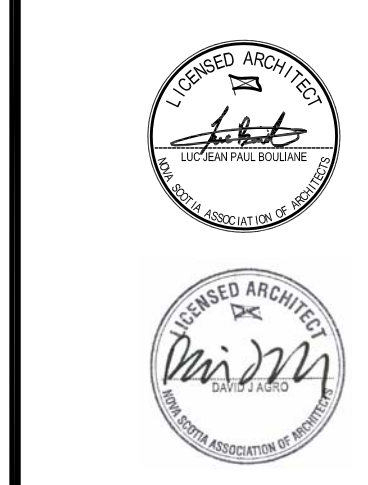
1B TYPICAL DOOR JAMB FB



2 ELEVATION DETAIL OF KCR DOORS AND WOOD PANELS

IMPERIAL SCALE DRAWING  
FIRST FLOOR ELEV. 00.00m

- 1 ISSUED FOR REVIEW 28 MAY 2014
- 2 ISSUED FOR TENDER 13 JUNE 2014
- 3 ISSUED FOR TENDER 11 JULY 2014

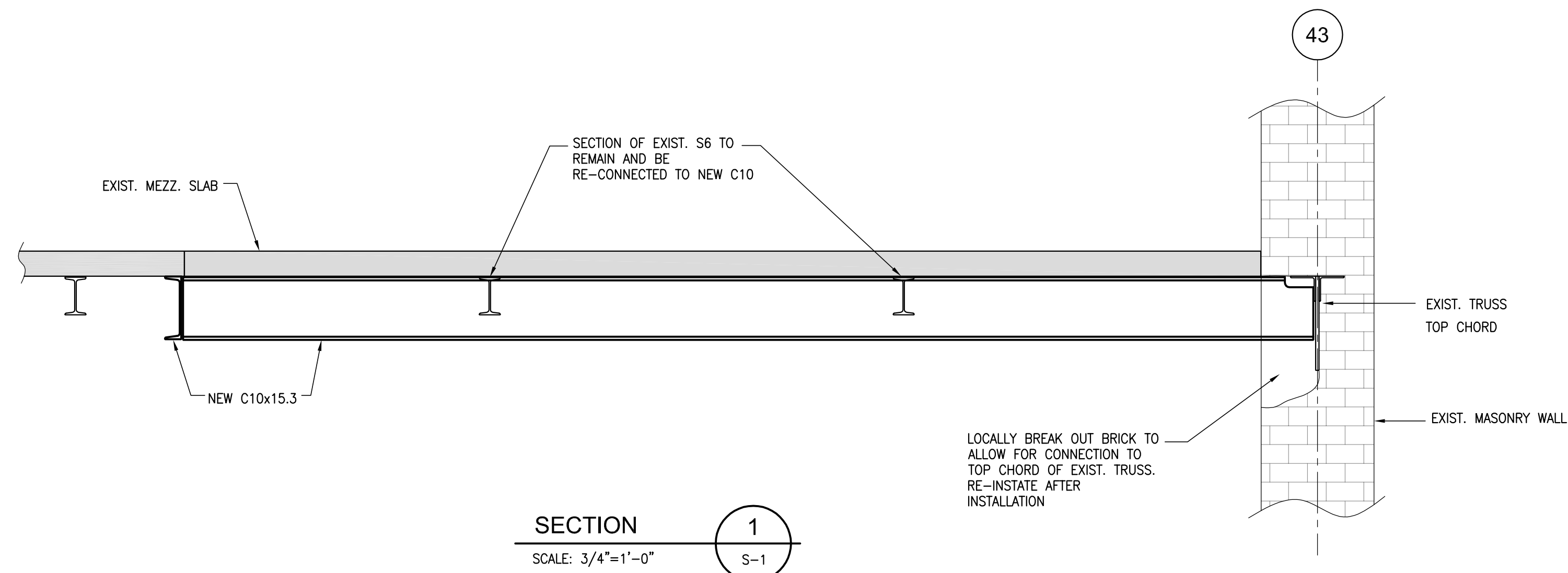


Luc Bouliane Architect Inc + David J Agro Architect Inc  
1259 Dundas Street West, Toronto, M6J 1X6 Tel: 416 300 0656

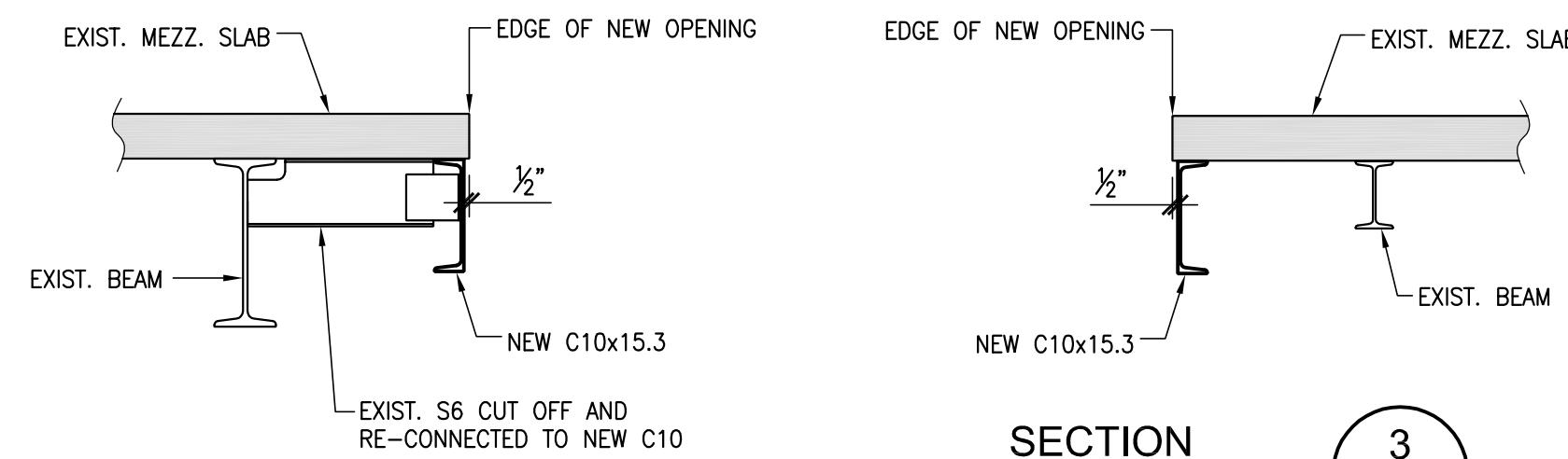
CANADIAN MUSEUM OF IMMIGRATION AT PEIR 21

project no: 13-005  
scale: 1/8" = 1'-0"  
drawn by: GJA  
reviewed by: LB / GJA  
date: 2013/04



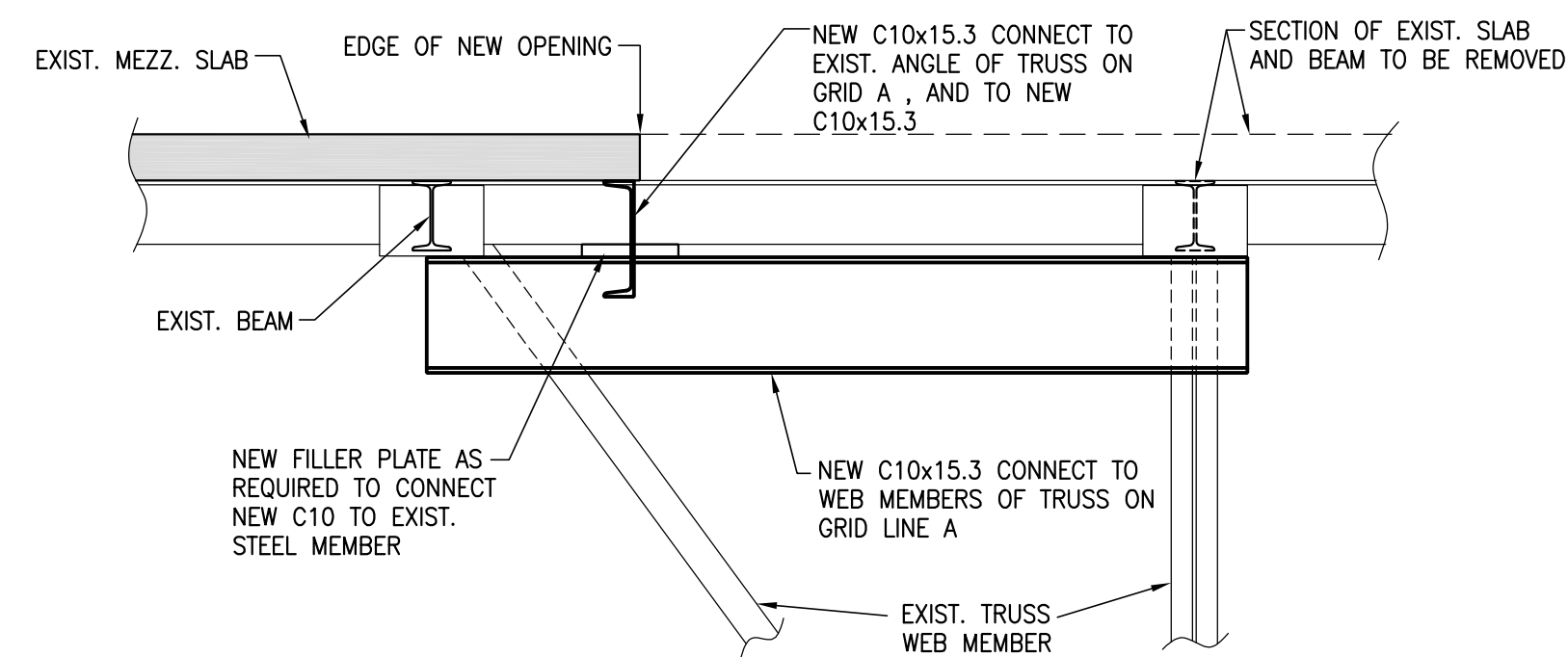


SECTION 1  
SCALE: 3/4"=1'-0"

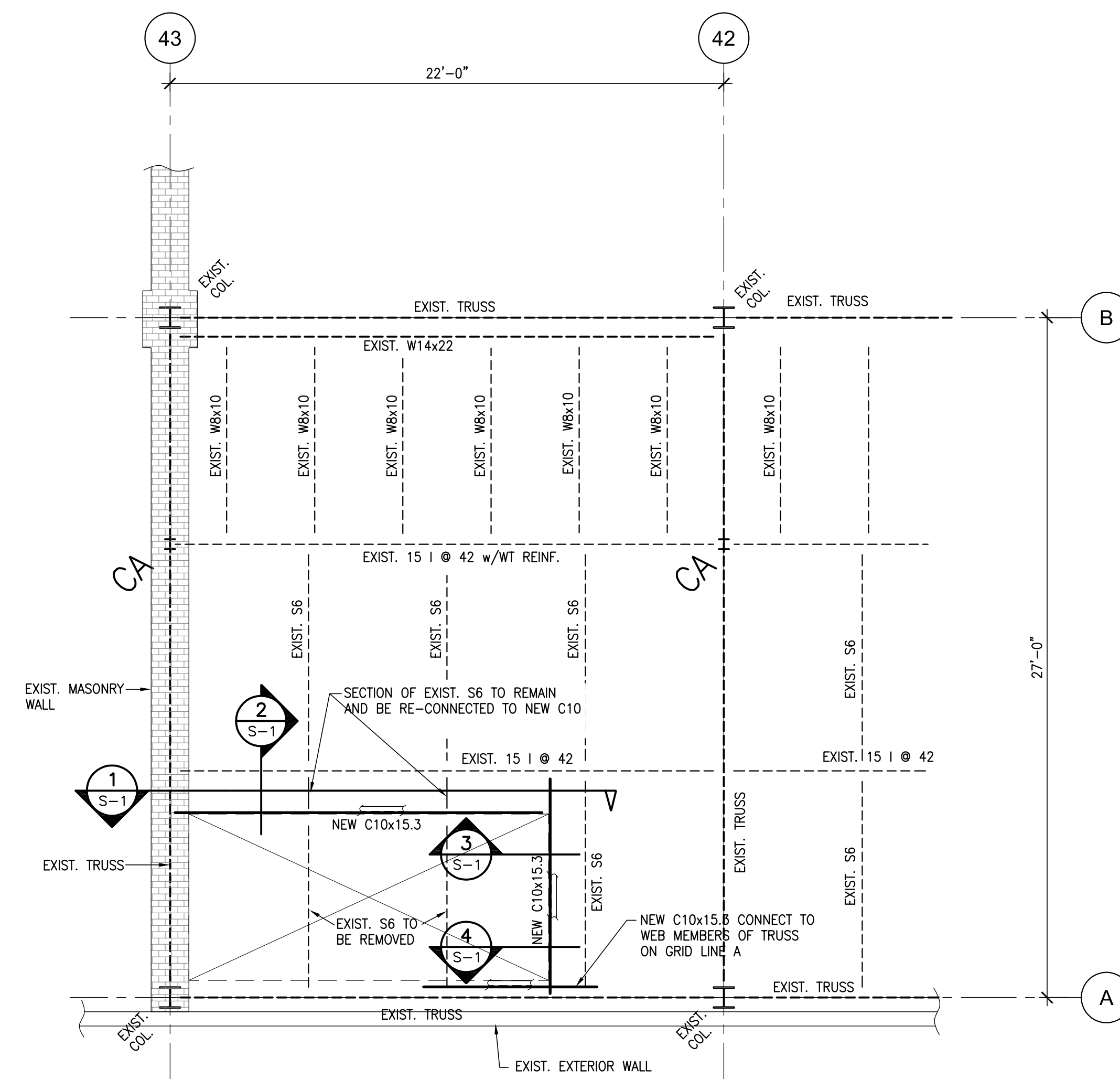


SECTION 2  
SCALE: 3/4"=1'-0"

SECTION 3  
SCALE: 3/4"=1'-0"



SECTION 4  
SCALE: 3/4"=1'-0"



PARTIAL MEZZANINE FRAMING PLAN

SCALE: 1/4"=1'-0"

GENERAL NOTES

- ALL WORK AND MATERIALS SHALL CONFORM TO THE 2010 EDITION OF THE NATIONAL BUILDING CODE.
- THE CONTRACTOR SHALL EXAMINE ALL DRAWINGS AND CHECK ALL DIMENSIONS AGAINST SITE CONDITIONS AND REPORT ANY DISCREPANCIES BEFORE PROCEEDING WITH WORK.
- CONTRACTOR SHALL DESIGN, INSTALL AND MAINTAIN ADEQUATE TEMPORARY BRACING AND SHORING OF ALL STRUCTURAL ELEMENTS FOR STABILITY AND SAFETY WHERE REQUIRED DURING CONSTRUCTION. (THE ABOVE WORK IS BEYOND THE SCOPE OF BMR STRUCTURAL ENGINEERING).

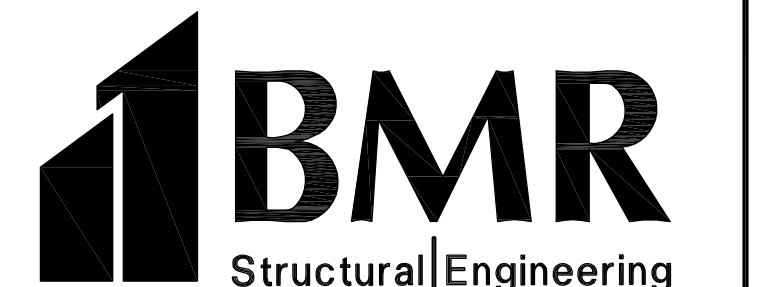
STRUCTURAL STEEL NOTES

- ALL STRUCTURAL STEEL SHALL BE FABRICATED AND ERECTED IN ACCORDANCE WITH CSA S16.
- ALL STRUCTURAL STEEL SHALL BE NEW STOCK AND CONFORM TO THE FOLLOWING GRADES AND STANDARDS:
  - CSA-G40.21 TYPE 350W UNLESS NOTED.
  - HOLLOW STRUCTURAL SECTIONS : ASTM A500 GRADE C.
  - COLD FORMED SECTIONS : CSA S136, 350 MPa MIN. YIELD STRENGTH.
  - CHANNELS, ANGLES, PLATE & ROD MATERIAL TYPE 300W.
- ALL WELDING SHALL BE CARRIED OUT IN ACCORDANCE WITH CSA W59 AND W55.3 BY A FABRICATOR FULLY APPROVED UNDER CSA W47.1 DIVISION No.1 OR No.2.
- ALL BOLTS, NUTS AND WASHERS FOR STRUCTURAL STEEL CONNECTIONS SHALL CONFORM TO ASTM A325.
- SPLICES IN STEEL MEMBERS, OTHER THAN THOSE SHOWN ON THE DRAWINGS, SHALL NOT BE PERMITTED WITHOUT THE PERMISSION OF THE ENGINEER.
- SHOP PAINT TO CISC/CPMA 1-73a EXCEPT AS NOTED IN SPECIFICATIONS. TOUCH UP SCRATCHES, BOLTS AND WELDS AFTER ALL STEEL IS ERECTED.
- ALL FABRICATORS SHALL SUBMIT SHOP DRAWINGS STAMPED BY A PROFESSIONAL ENGINEER REGISTERED IN THE PROVINCE OF CONSTRUCTION PRIOR TO COMMENCEMENT OF FABRICATION.
- DESIGN ALL BEAM TO BEAM AND BEAM TO COLUMN CONNECTIONS FOR SHEAR CALCULATED FROM BEAM LOADED TO FLEXURAL CAPACITY WITH UDL LOAD BASED ON SPAN OF BEAM U/NOTED. BEAMS WITH SIGNIFICANT CONCENTRATED LOADS SHALL BE DESIGNED FOR ADDITIONAL SHEAR CONNECTIONS AS REQUIRED.

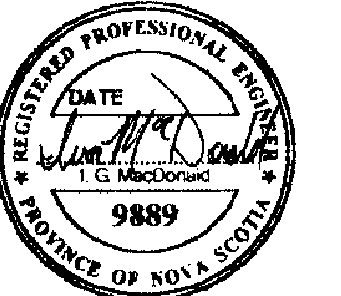
REVISIONS		
No.	DESCRIPTION	DATE
1	ISSUED FOR REVIEW	JUNE:10:2014
2	ISSUED FOR TENDER	JULY:11:2014

THE GENERAL CONTRACTOR SHALL CHECK AND VERIFY ALL DIMENSIONS AND REPORT ANY DISCREPANCIES OR OMISSIONS TO ENGINEER

DO NOT SCALE DRAWINGS



5413 Doyle Street  
Halifax, Nova Scotia B3J 1H9  
ph. (902) 429-3321 fax (902) 422-8650



PROJECT

CANADIAN MUSEUM OF IMMIGRATION AT PIER 21

HALIFAX, NOVA SCOTIA

A SECTION or DETAIL No.  
B SHEET No. WHERE DETAILED

DESIGNED BY I. MacDONALD

DRAWN BY R. LANDRY

CHECKED BY I. MacDONALD

DRAWING

NEW STAIR OPENING THROUGH EXISTING MEZZANINE

SCALE AS NOTED

DATE JUNE 2014

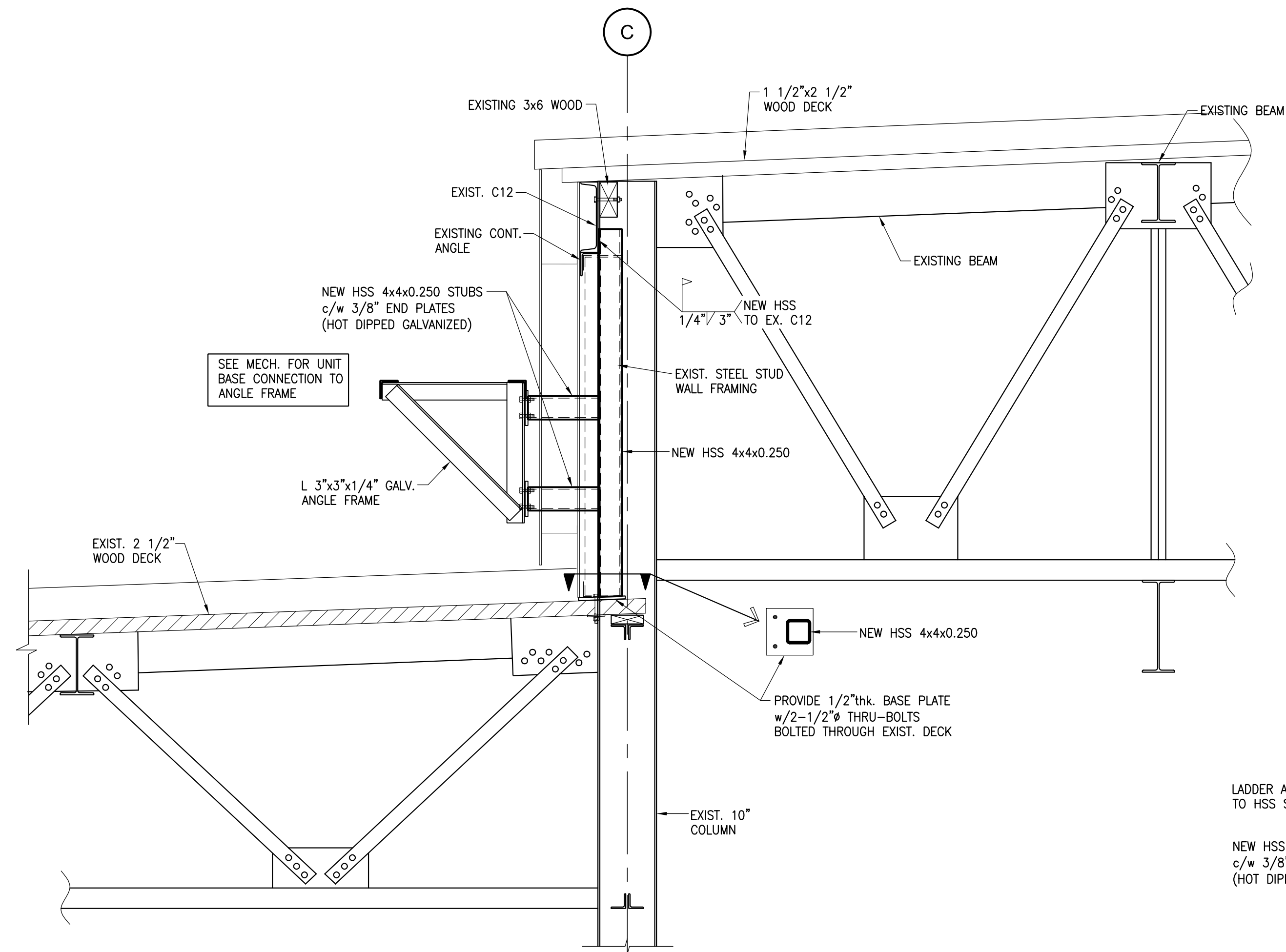
PROJECT No. 2014-007

SHEET No. S-1

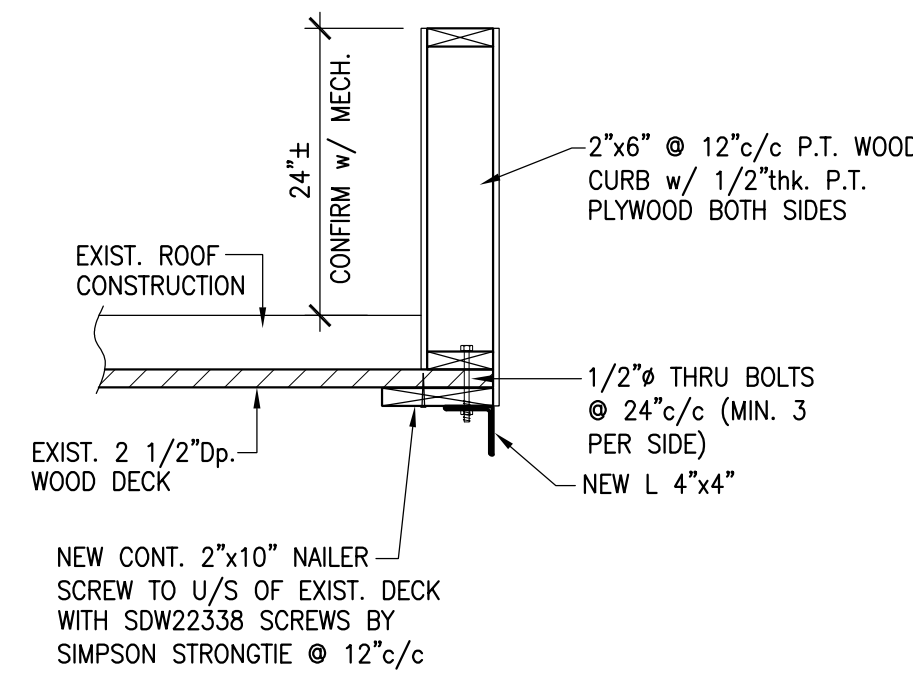




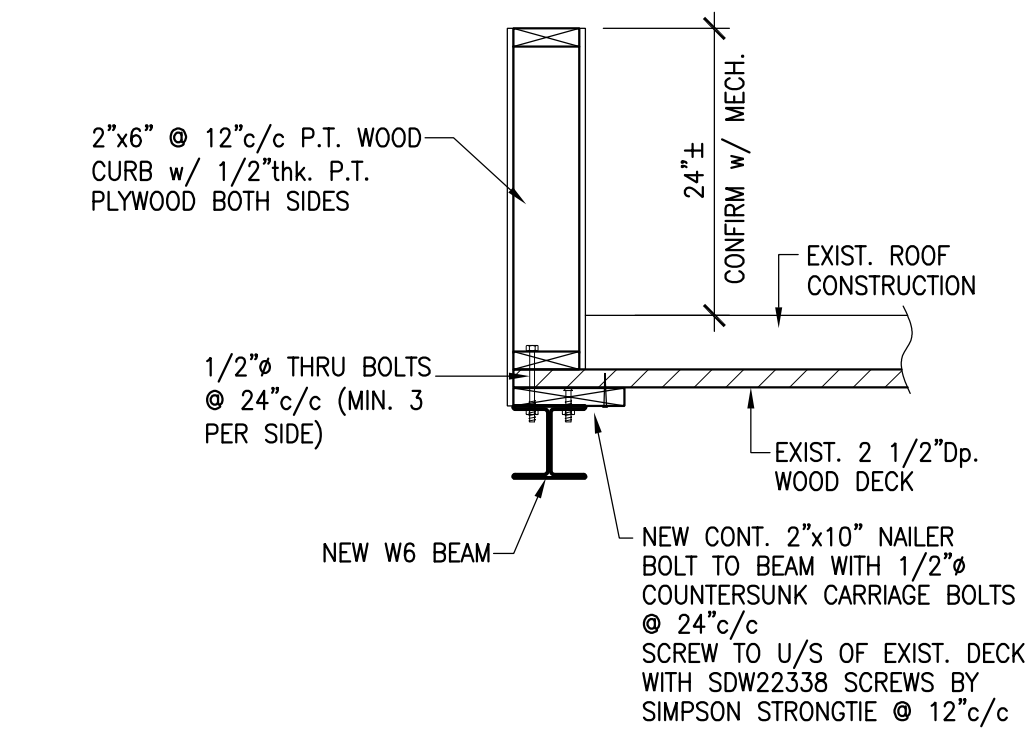




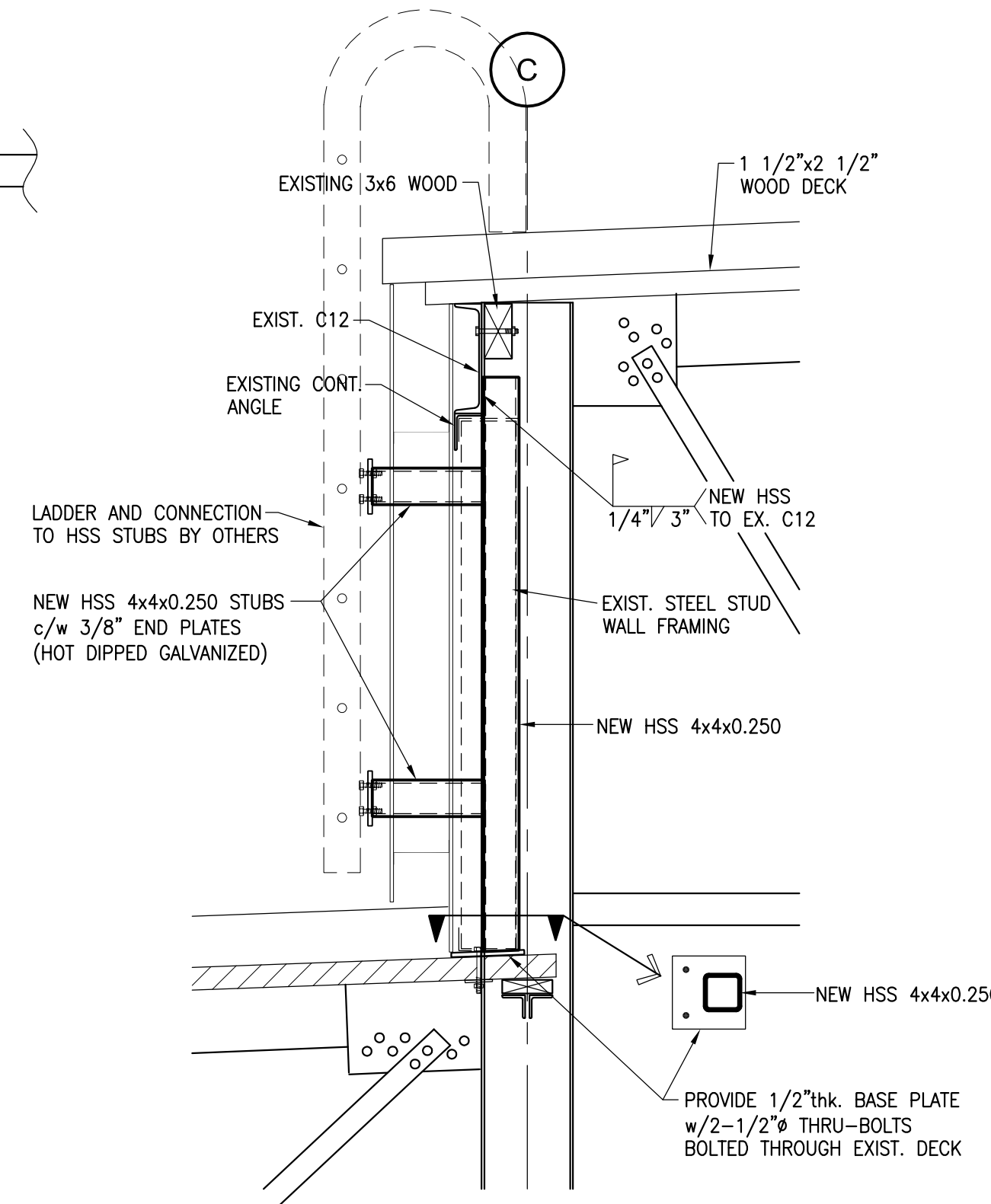
SECTION 4  
SCALE: 3/4"=1'-0"  
S2



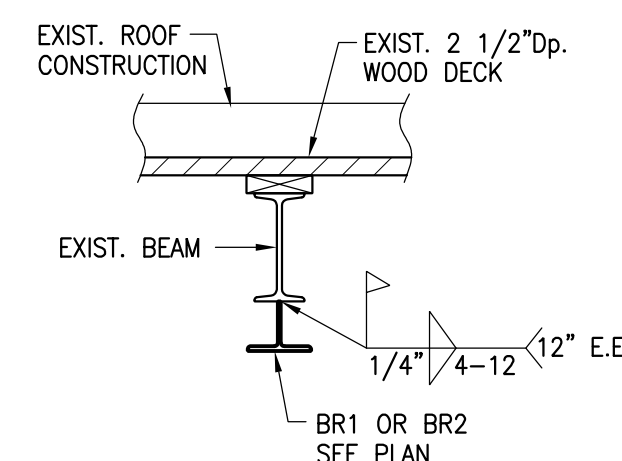
SECTION 2  
SCALE: 3/4"=1'-0"  
S2



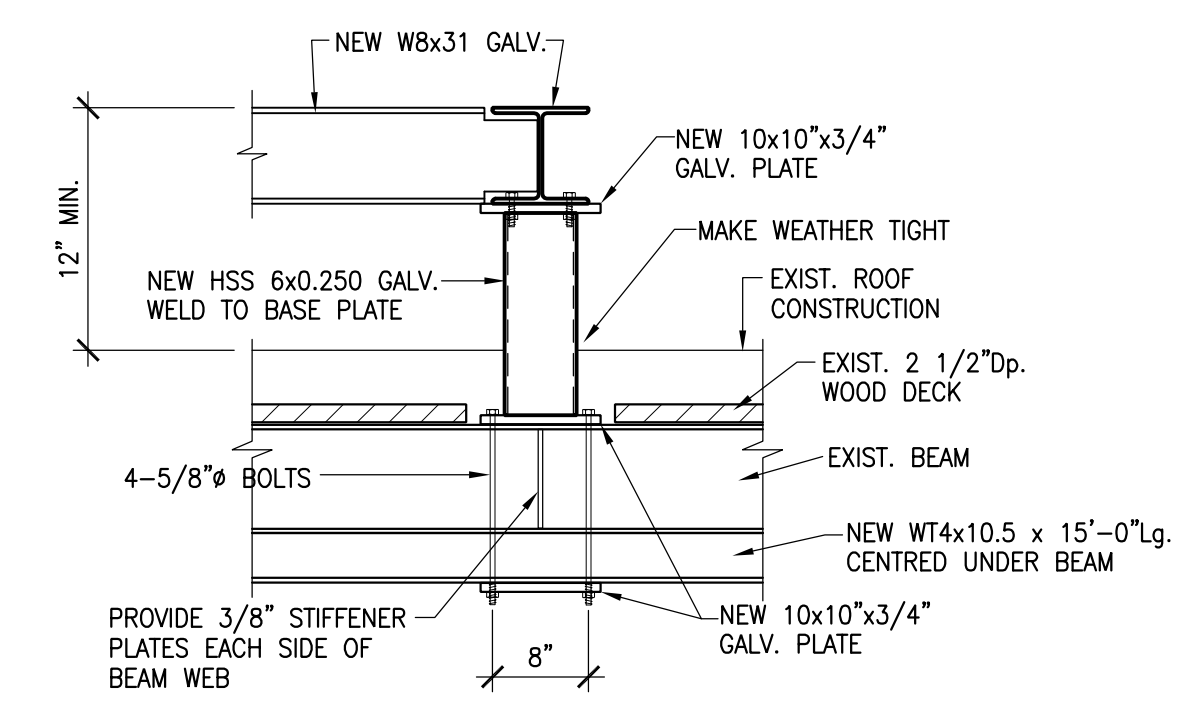
SECTION 1  
SCALE: 3/4"=1'-0"  
S2



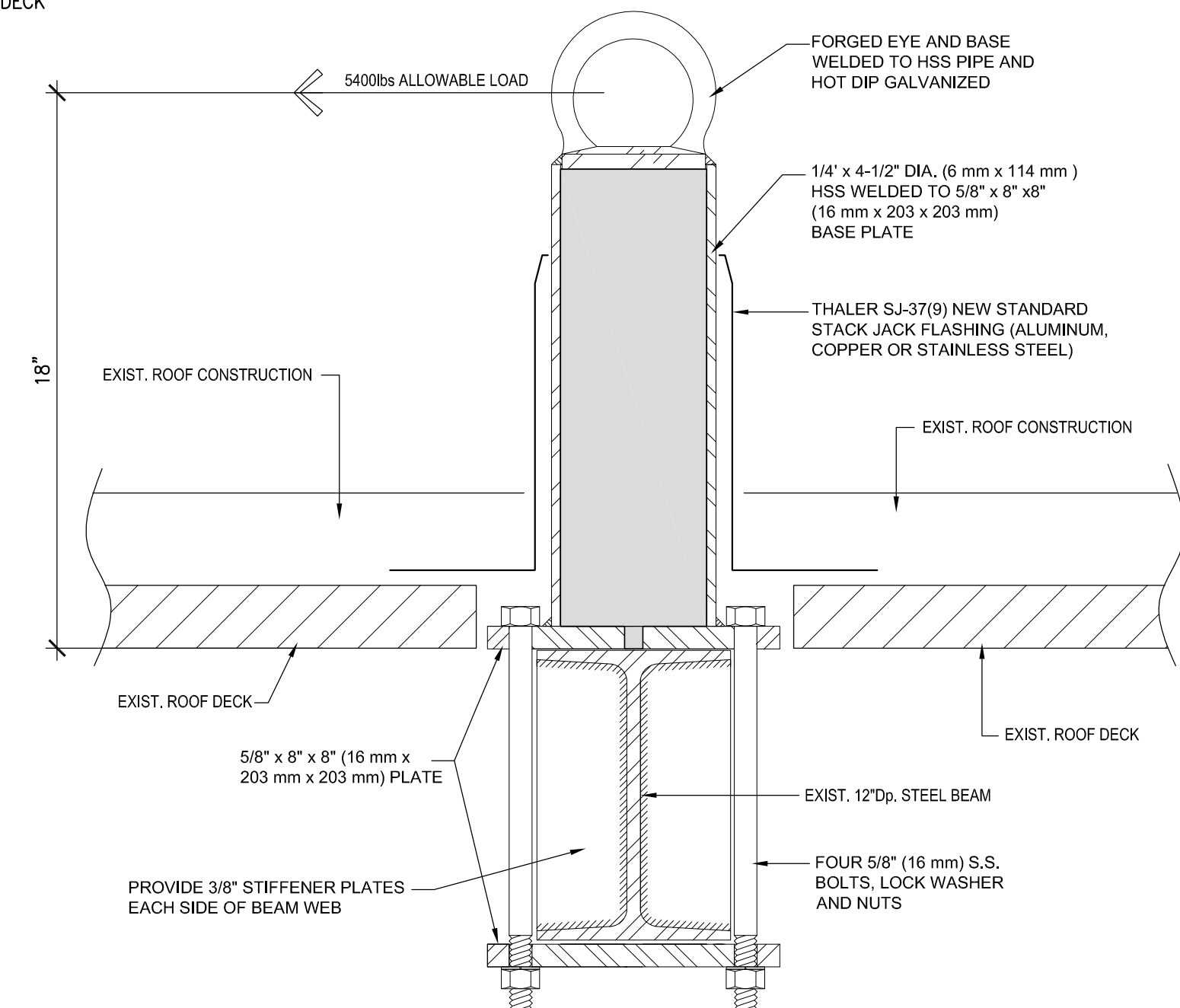
SECTION 5  
SCALE: 3/4"=1'-0"  
S2



SECTION 6  
SCALE: 3/4"=1'-0"  
S2



SECTION 3  
SCALE: 3/4"=1'-0"  
S2

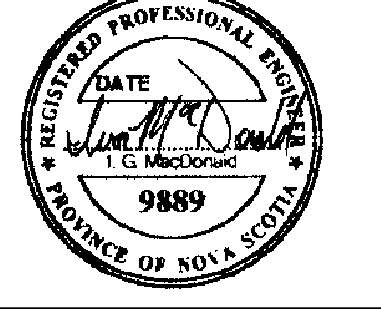


FARA-3 FALL ARREST ROOF ANCHOR (Bolt Around Beam) RA

REVISIONS		
No.	DESCRIPTION	DATE
1	ISSUED FOR REVIEW	JUNE:10:2014
2	ISSUED FOR TENDER	JULY:11:2014

THE GENERAL CONTRACTOR SHALL CHECK AND VERIFY ALL DIMENSIONS AND REPORT ANY DISCREPANCIES OR OMISSIONS TO ENGINEER  
**DO NOT SCALE DRAWINGS**

**BMR**  
Structural Engineering  
5413 Doyle Street  
Halifax, Nova Scotia B3J 1H9  
ph. (902) 429-3321 fax (902) 422-8650



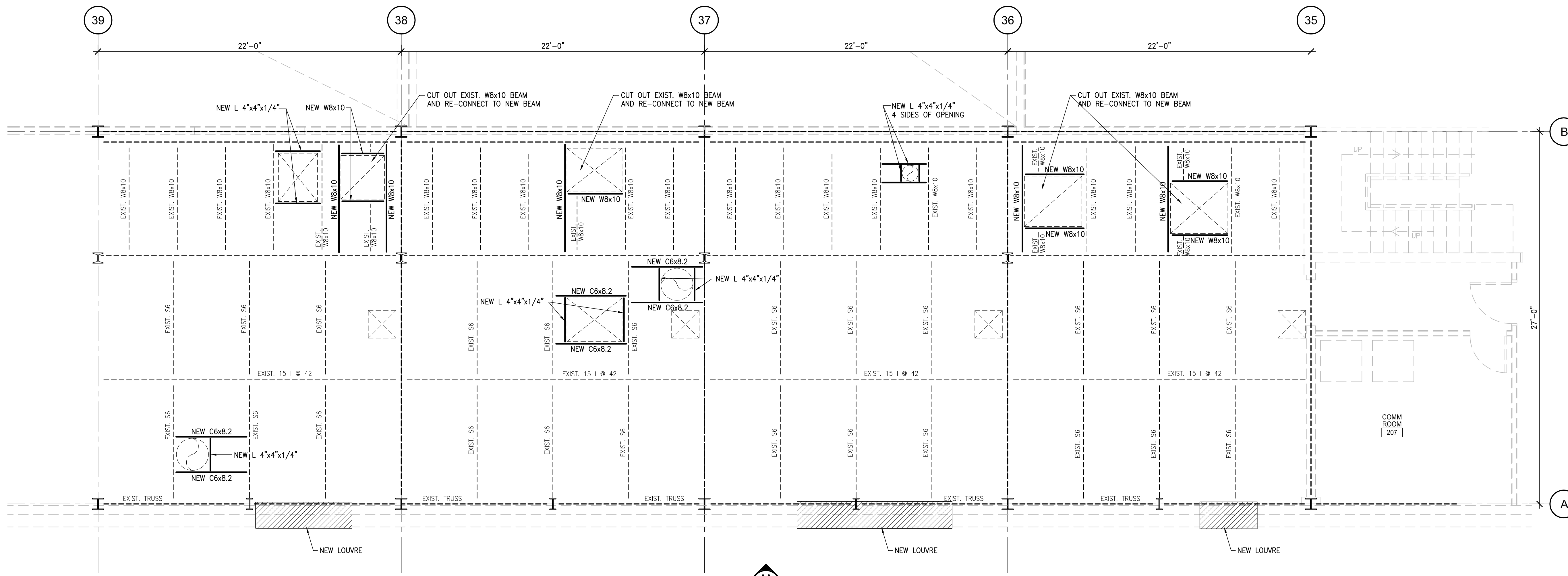
PROJECT  
**CANADIAN MUSEUM OF IMMIGRATION AT PIER 21**  
HALIFAX, NOVA SCOTIA

DESIGNED BY: I. MacDONALD  
DRAWN BY: R. LANDRY  
CHECKED BY: I. MacDONALD  
DRAWING

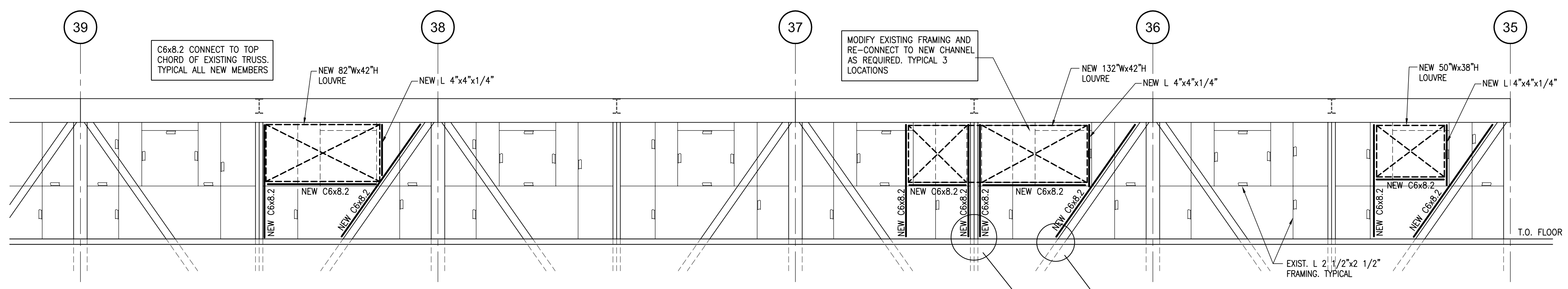
SECTIONS AND DETAILS

SCALE: AS NOTED  
DATE: JUNE 2014  
PROJECT No.: 2014-007  
SHEET No.: S-3

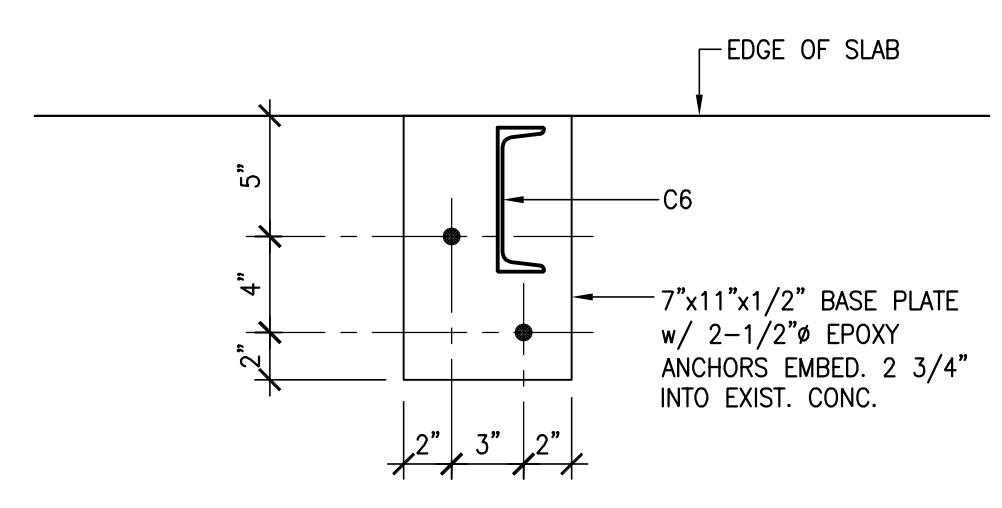




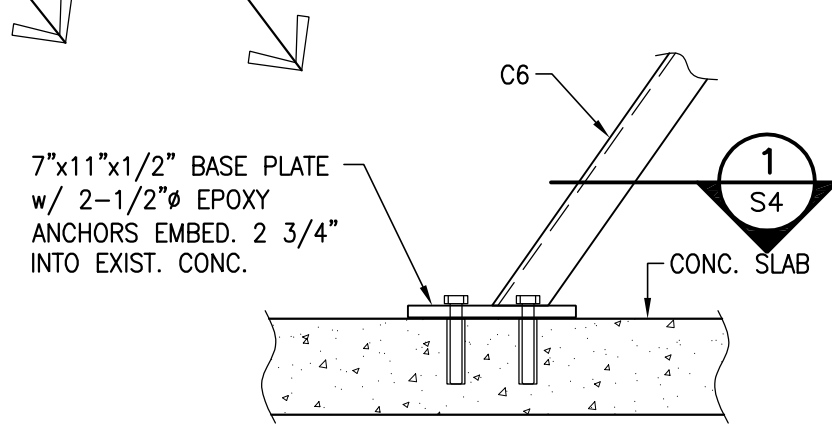
**PARTIAL EXISTING MEZZANINE FRAMING PLAN**  
SCALE: 1/4"=1'-0"



**ELEVATION AA ALONG GRID LINE(A)**  
SCALE: 1/4"=1'-0"



**PLAN SECTION 1**  
SCALE: 1 1/2"=1'-0"



**DETAIL A**  
SCALE: 1 1/2"=1'-0"

REVISIONS		
No.	DESCRIPTION	DATE
1	ISSUED FOR REVIEW	JUNE:10:2014
2	ISSUED FOR TENDER	JULY:11:2014

THE GENERAL CONTRACTOR SHALL CHECK AND VERIFY ALL DIMENSIONS AND REPORT ANY DISCREPANCIES OR OMISSIONS TO ENGINEER.  
**DO NOT SCALE DRAWINGS**

**BMR**  
Structural Engineering  
5413 Doyle Street  
Halifax, Nova Scotia B3J 1H9  
ph. (902) 429-3321 fax (902) 422-8650

PROJECT  
**CANADIAN MUSEUM OF IMMIGRATION AT PIER 21**  
HALIFAX, NOVA SCOTIA

DESIGNED BY: I. MacDONALD  
DRAWN BY: R. LANDRY  
CHECKED BY: I. MacDONALD  
DRAWING

**NEW FLOOR OPENINGS THROUGH EXISTING MEZZANINE**

SCALE: AS NOTED  
DATE: JUNE 2014  
PROJECT No.: 2014-007  
SHEET No.: S-4

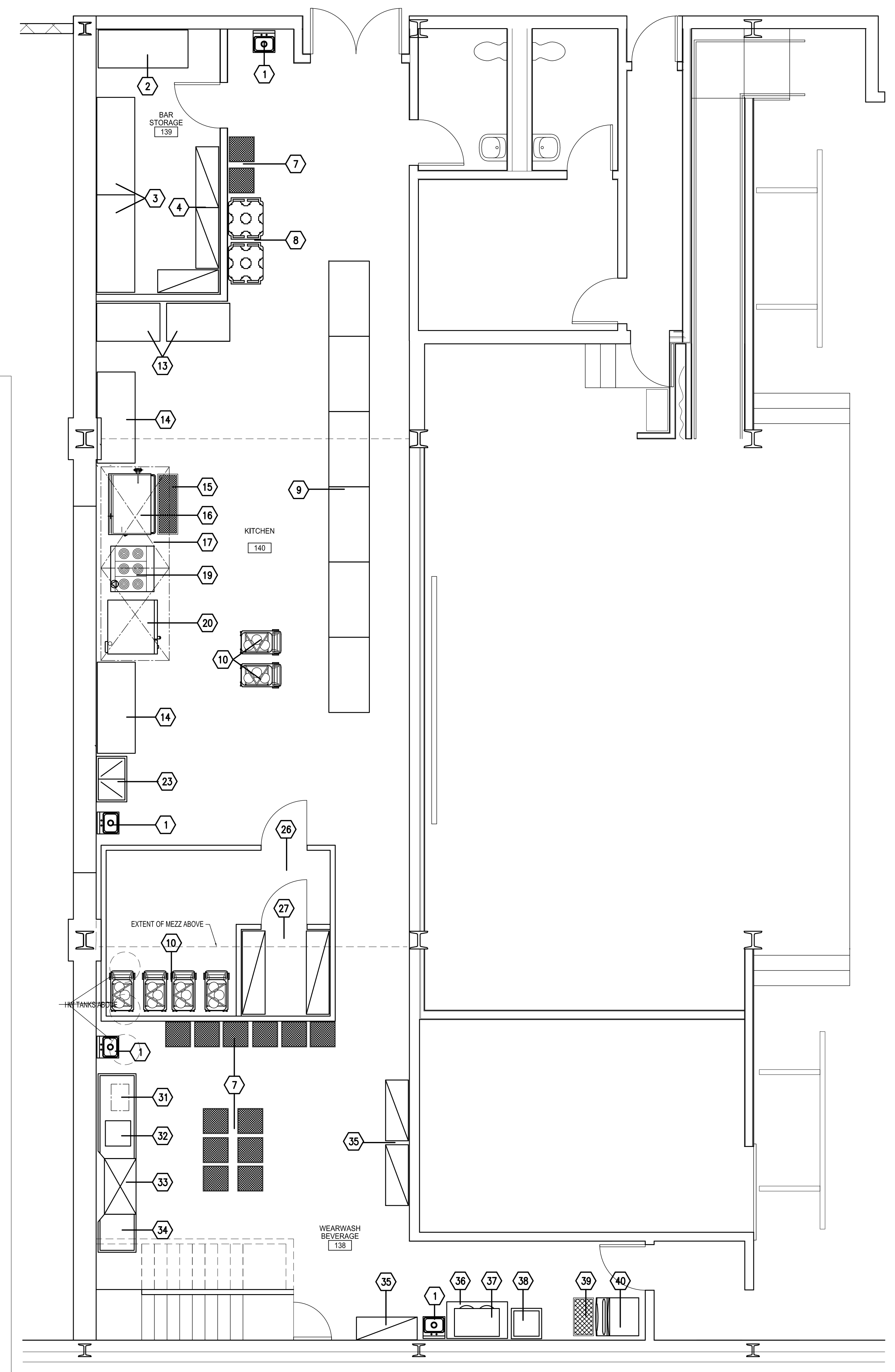


IF GEORGE ASSOCIATES  
FOOD SERVICE CONSULTANT

PIER 21  
KITCHEN EQUIPMENT SCHEDULE  
HALIFAX NS

JUNE 04, 2014

ITEM	DESCRIPTION	QTY	MANUFACTURER	MODEL NO.	SUPPLIER	MECHANICAL SERVICES					ELECTRICAL SERVICES					REMARKS	
						HWS	CWS	DI	DI	BTU	CONN.	VOLTS	PHASE	CONN.	HP		KW
1	HAND SINKS	4	DIV. 15		DIV 15												
2	SLIDING GLASS DOOR REFRIGERATOR	1	ORO	DC80ST	EXISTING	1/2"	1/2"	1 1/2"			120	1	C&P			11.8	
3	SLIDING GLASS DOOR REFRIGERATOR	2	H.A.A. BROWN	H-68	EXISTING						120	1	C&P	1/2		12	
4	SHELVING UNITS	3	METRO	1648-4T	EXISTING												
5	SPARE NUMBER																
6	SPARE NUMBER																
7	DISH RACK DOLLIES	1 LOT	CAMBRO		EXISTING												
8	PLATE DOLLIES	1 LOT	CAMBRO		EXISTING												
9	ASSEMBLY TABLES	1 LOT	CUSTOM		EXISTING												
10	RATIONAL PLATE RACKS	1 LOT	RATIONAL		EXISTING												
11	SPARE NUMBER																
12	SPARE NUMBER																
13	HOT CARTS	3	FEW	P-120	EXISTING						120	1	C&P		1.45	12	ONE AT 1.3KW 10AMPS
14	WORK TABLES	2	CUSTOM		EXISTING												
15	FLOOR DRAIN GRATE	1	CUSTOM	FDT 1648	EXISTING												
16	SKILLET	1	SOUTHBEND	BELM40	EXISTING	1/2"	1/2"	3"			208	3	DIR		16	41.6	
17	EXHAUST HOODS	2	CAPTIVEAIR		EXISTING						120	1	DIR				LIGHTS
18	RANGE	1	GARLAND	S688-2	EXISTING						208	3	DIR		16	48	
19	SPARE NUMBER																
20	COMBI-OVEN	1	RATIONAL	SCC-202	EXISTING			3/4"	2"		208	3	DIR		62	186	
21	FIRE PROTECTION SYSTEM	1	BRENTONS	DIR15	EXISTING												
22	EXHAUST FAN	1	CARNES	VRBK 18-S1	EXISTING						120	1	DIR	1		12.8	
23	DOUBLE COMPARTMENT SINK	1	CUSTOM		EXISTING	1/2"	1/2"	1 1/2"									
24	SPARE NUMBER																
25	SPARE NUMBER																
26	WALK-IN COOLER	1	NORBEC		FSC						120	1	DIR				LIGHTS, FLOOR INCLUDED
26A	EVAPORATOR	1	NORBEC	KLP211MA-S1B	FSC			1"			120	1	DIR		3.6		INTELLIREF COOLER KIT INC
26B	COMPRESSOR	1	NORBEC	ROU-OHA-C11900-2-4TT	FSC						208	1	DIR	1 1/4	14.8		OUTDOOR AIR COOLED UNIT
27	WALK-IN FREEZER	1	NORBEC		FSC						120	1	DIR				LIGHTS AND DOOR HEATER, FLOOR INCLUDED
27A	EVAPORATOR	1	NORBEC	KLP106LE-S2B	FSC			1"			208	1	DIR		9.8		INTELLIREF COOLER KIT INC
27B	COMPRESSOR	1	NORBEC	ROU-OHA-F08500-2-4TT	FSC						208	1	DIR	1 1/2	16.9		OUTDOOR AIR COOLED UNIT
28	SPARE NUMBER																
29	SPARE NUMBER																
30	SPARE NUMBER																
31	RINSE WATER BOOSTER	1	SUPERHOT		EXISTING	1/2"		1"			208	3	DIR				MORE INFO REQUIRED
32	SOILED DISTABLING	1	CUSTOM		EXISTING	1/2"	1/2"	1 1/2"									
33	DISHWASHER	1	QIA	5AGES	EXISTING	3/4"		2"			120	1	DIR	1	18		30 breaker
34	CLEAN DISTABLING	1	CUSTOM		EXISTING												
35	SHELVING UNITS	3	METRO	2448-4T	EXISTING												
36	S/S STAND	1	HABCO		EXISTING												
37	COFFEE MAKER	1	BUNN		EXISTING						120/208	1	DIR		12	33.4	4 WIRE
38	MOBILE ICE WELL	1	CUSTOM	TITAN DUAL	EXISTING		1/2"	1"									
39	FLOOR DRAIN GRATE	1	CUSTOM		EXISTING			3"									
40	ICE MAKER	1	MANITOWOC	QDO803W	EXISTING		1/2"	1"			208	1	DIR			6.7	
41	HOT WATER TANKS	3			EXISTING		3/4"	1"			208	1	DIR				



2 KITCHEN EQUIPMENT SCHEDULE - FOR INFORMATION ONLY

1 KITCHEN EQUIPMENT LAYOUT - FOR INFORMATION ONLY

IMPERIAL SCALE DRAWING  
FIRST FLOOR ELEV. 00.00m

1 ISSUED FOR INFORMATION 13 JUN 2014  
2 ISSUED FOR INFORMATION 11 JUL 2014

Luc Bouliane Architect Inc + David J Agro Architect Inc  
1259 Dundas Street West, Toronto, M6J 1X6 Tel: 416 300 0656

CANADIAN MUSEUM OF IMMIGRATION AT PEIR 21

project no: 13-005  
scale: N.T.S.  
drawn by: LB / QUA  
reviewed by: 2014.06.13  
date:

KITCHEN EQUIPMENT PLAN  
(INFORMATION ONLY)

KE-0



Drawing No. 17-0288 (ELECTRICAL) - Legend.dwg was plotted 2014-01-28, at time 1:52:29 PM

### ELECTRICAL LEGEND

	LINE VOLTAGE WIRING AS PER SPECIFICATIONS, RUN 2#12#12 BOND - 1/2" C. CONDUIT RUN SHALL BE CONCEALED IN CEILING AND WALL SYSTEMS.		5-15R DUPLEX U-GROUND RECEPTACLE FLUSH WALL MOUNTED 18" A.F.F. WITH STAINLESS STEEL COVERPLATE, UNLESS INDICATED OTHERWISE.
	LOW VOLTAGE WIRING AS PER SPECIFICATIONS (2#14TEW#14TEW BOND-1/2" C. MINIMUM.)		5-15R DUPLEX U-GROUND RECEPTACLE FLUSH WALL MOUNTED 6" ABOVE COUNTER BACKSPASH, OR 46" A.F.F., UNLESS INDICATED OTHERWISE.
	FLUORESCENT FIXTURE ON CIRCUIT "1" FROM PANEL "311". FIXTURE TYPE "21" AS PER SPECIFICATIONS.		5-15R DUPLEX U-GROUND RECEPTACLE FLUSH WALL MOUNTED 6" ABOVE COUNTER BACKSPASH, OR 46" A.F.F., UNLESS INDICATED OTHERWISE.
	INCANDESCENT OR LED FIXTURE, CEILING AND WALL MOUNTED RESPECTIVELY, WITH SYMBOL INTERPRETATION AS ABOVE.		LS-20R SINGLE RECEPTACLE FLUSH WALL MOUNTED 18" A.F.F. WITH STAINLESS STEEL COVERPLATE, UNLESS INDICATED OTHERWISE.
	CHANNEL MOUNT OR UNISTRUT FOR THEATRICAL LIGHT FIXTURES ROD HUNG FROM CEILING WITH QUANTITY OF LS-20R RECEPTACLE AS INDICATED ON THE DRAWINGS. SEE DETAILS.		LS-20R SINGLE RECEPTACLE FLUSH WALL MOUNTED 18" A.F.F. WITH STAINLESS STEEL COVERPLATE, UNLESS INDICATED OTHERWISE. CONTROLLED BY DIMMER IN DIMMER RACK.
	TRACK LIGHTING UNIT WITH DETAIL AS INDICATED IN THE SPECIFICATIONS.		LS-20R SINGLE RECEPTACLE FLUSH WALL MOUNTED 18" A.F.F. WITH STAINLESS STEEL COVERPLATE, UNLESS INDICATED OTHERWISE. CONTROLLED BY RELAY IN DIMMER RACK.
	EXISTING FLUORESCENT FIXTURE.		LS-20R SINGLE RECEPTACLE MOUNTED ON PIPE GRID WITH STAINLESS STEEL COVERPLATE, UNLESS INDICATED OTHERWISE. CONTROLLED BY DIMMER IN DIMMER RACK.
	EXISTING TRACK LIGHTING.		LS-20R SINGLE RECEPTACLE MOUNTED ON PIPE GRID WITH STAINLESS STEEL COVERPLATE, UNLESS INDICATED OTHERWISE. CONTROLLED BY RELAY IN DIMMER RACK.
	EXIT LIGHT CEILING OR WALL MOUNTED, SINGLE OR DOUBLE FACED, WITH ARROWS AS INDICATED.		SPECIALTY OUTLET. SEE FLOOR PLANS FOR ADDITIONAL INFORMATION.
	EMERGENCY LIGHTING UNIT WITH BATTERY AND CHARGER, WALL MOUNTED 7'-6" A.F.F. UNLESS NOTED OTHERWISE.		5-15R DUPLEX U-GROUND RECEPTACLE SUPPLIED FROM GFCI CIRCUIT BREAKER FLUSH WALL MOUNTED 18" A.F.F. WITH STAINLESS STEEL COVERPLATE, UNLESS INDICATED OTHERWISE.
	EMERGENCY LIGHTING UNIT REMOTE HEAD, WALL MOUNTED 7'-6" A.F.F. UNLESS NOTED OTHERWISE.		5-15R DUPLEX U-GROUND RECEPTACLE SUPPLIED FROM GFCI CIRCUIT BREAKER FLUSH WALL MOUNTED 6" ABOVE COUNTER BACKSPASH, OR 46" A.F.F., UNLESS INDICATED OTHERWISE.
	SINGLE POLE TWO (2) GANG AND THREE WAY SWITCHES RESPECTIVELY, FLUSH WALL MOUNTED 48" A.F.F., WITH STAINLESS STEEL COVER PLATE, UNLESS INDICATED OTHERWISE. VOLTAGE RATING OF SWITCHES SHALL BE AS INDICATED BY THE CIRCUIT DESCRIPTION.		5-20R DUPLEX U-GROUND RECEPTACLE FLUSH WALL MOUNTED 18" A.F.F. WITH STAINLESS STEEL COVERPLATE, UNLESS INDICATED OTHERWISE.
	INCANDESCENT OR WALLBOX DIMMER FLUSH MOUNTED 48" A.F.F. TYPE OF DIMMER SHALL BE INDICATED BY THE CIRCUIT AND THE FIXTURE TYPE AS PER SPECIFICATIONS.		DUPLEX U-GROUND RECEPTACLE FLUSH MOUNTED IN WALKERDOUT SOURCE I OR SOURCE II PRESET. SEE DRAWINGS FOR ADDITIONAL INFORMATION.
	DIGITAL WALL-MOUNTED PASSIVE INFRARED OCCUPANCY SENSOR MOUNTED 10'-0" A.F.F. UNLESS NOTED OTHERWISE.		TWO DUPLEX U-GROUND RECEPTACLES MOUNTED WITHIN A COMMON BACKBOX 18" A.F.F. WITH A COMMON STAINLESS STEEL COVERPLATE, UNLESS INDICATED OTHERWISE.
	DIGITAL WALL-MOUNTED PASSIVE INFRARED OCCUPANCY SENSOR MOUNTED 10'-0" A.F.F. UNLESS NOTED OTHERWISE.		ELECTRIC HEATING UNIT TYPE "1" AS SPECIFIED. HEATING SCHEDULE. "CT+R" INDICATES CONTROL TRANSFORMER AND RELAY, "CT" INDICATES CONTROL TRANSFORMER AND "R" INDICATES RELAY ONLY, "A" INDICATES BUILT IN THERMOSTAT.
	DIGITAL CEILING-MOUNTED DUAL TECHNOLOGY OCCUPANCY SENSOR.		THERMOSTAT WALL MOUNTED AT HEIGHT TO BE CO-ORDINATED ON SITE. (LOW VOLTAGE)
	DIGITAL CEILING-MOUNTED PASSIVE INFRARED OCCUPANCY SENSOR.		REVERSE ACTING THERMOSTAT, SUPPLIED BY DIV. 15000, INSTALLED AND WIRED BY DIV. 16000.
	DIGITAL LIGHTING CONTROL RELAY MOUNTED IN ACCESSIBLE CEILING SPACE UNLESS NOTED OTHERWISE.		DMX OUTPUT RECEPTACLE SURFACE MOUNTED ADJACENT TO PIPE GRID.
	DIGITAL ISOLATED RELAY INTERFACE MOUNTED IN ACCESSIBLE CEILING SPACE UNLESS NOTED OTHERWISE.		DMX INPUT RECEPTACLE FLUSH WALL MOUNTED IN 2-1/2" DEEP SINGLE GANG BOX 18" A.F.F., UNLESS INDICATED OTHERWISE.
	1 VOICE/1 DATA OUTLET, FLUSH WALL MOUNTED 18" A.F.F. UNLESS OTHERWISE NOTED (DUPLEX OUTLET).		PUBLIC ADDRESS LOUDSPEAKER, SURFACE WALL MOUNTED 12'-0" A.F.F.
	1 VOICE/1 DATA OUTLET, FLUSH WALL MOUNTED 48" A.F.F. OR 6" ABOVE COUNTER BACKSPASH (DUPLEX OUTLET).		MICROPHONE OUTLET (XLR JACK) FLUSH WALL MOUNTED 18" A.F.F.
	2 VOICE/2 DATA OUTLET, FLUSH WALL MOUNTED 18" A.F.F. UNLESS OTHERWISE NOTED (QUADRUPLUX OUTLET).		ADDRESSABLE FIRE ALARM PULL STATION MOUNTED 48" A.F.F.
	WIRELESS ACCESS POINT DATA OUTLET, FLUSH WALL MOUNTED 12'-0" A.F.F. (SIMPLEX OUTLET).		ADDRESSABLE CEILING MOUNTED IONIZATION-TYPE, PRODUCTS-OF-COMBUSTION DETECTOR.
	4" SQUARE BACKBOX C/W SINGLE GANG TILE RING, FLUSH WALL MOUNTED 18" A.F.F. UNLESS NOTED OTHERWISE.		ADDRESSABLE DUCT TYPE IONIZATION-TYPE PRODUCT-OF-COMBUSTION DETECTOR
	TELEPHONE OUTLET, FLUSH WALL MOUNTED 18" A.F.F. (SINGLE OUTLET ONLY).		ADDRESSABLE CEILING MOUNTED HEAT DETECTOR.
	TELEPHONE OUTLET, FLUSH WALL MOUNTED 54" A.F.F. (SINGLE OUTLET ONLY).		FIRE ALARM ADDRESSABLE INPUT MODULE.
	PAYPHONE OUTLET, WALL MOUNTED AT 47" A.F.F. PROVIDE 4" SQUARE BACKBOX C/W SINGLE GANG TILE RING (SINGLE OUTLET ONLY).		FIRE ALARM ADDRESSABLE CONTROL RELAY MODULE.
	MANUAL STARTER WITH THERMAL OVERLOAD PROTECTION AND PILOT LIGHT, FLUSH WALL MOUNTED 54" A.F.F., UNLESS INDICATED OTHERWISE.		SUPERVISED GATE VALVE SUPPLIED AND INSTALLED BY DIV. 21, PROVIDE FIRE ALARM SUPERVISION.
	120V OR 208V, 1 PHASE, 1/4 HP MOTOR SUPPLIED AND INSTALLED BY DIV. 23 AND WIRED BY DIV. 26.		FLOW SWITCH SUPPLIED AND INSTALLED BY DIV. 21, PROVIDE FIRE ALARM SUPERVISION.
	120V, 1 PHASE, FRACTIONAL EXHAUST FAN SUPPLIED AND INSTALLED BY DIV. 23 AND WIRED BY DIV. 26.		FIRE ALARM BELL MOUNTED 7'-6" A.F.F., UNLESS INDICATED OTHERWISE.
	120V, 1 PHASE, FRACTIONAL UNIT HEATER SUPPLIED AND INSTALLED BY DIV. 23 AND WIRED BY DIV. 26.		PRESSURE SWITCH SUPPLIED AND INSTALLED BY DIV. 21, PROVIDE FIRE ALARM SUPERVISION.
	120V, 1 PHASE, FRACTIONAL FORCE FLOW HEATER SUPPLIED AND INSTALLED BY DIV. 23 AND WIRED BY DIV. 26.		END OF LINE RESISTOR MOUNTED 6'-0" A.F.F.
	208V, THREE (3) PHASE OR 600V, 3 PHASE, 3 HP MOTOR SUPPLIED AND INSTALLED BY DIV. 23 AND WIRED BY DIV. 26.		MAGNETIC DOOR HOLD-OPEN DEVICE PROVIDED BY DIVISION 08, ELECTRICAL CONTRACTOR TO PROVIDE CONDUIT AND WIRING.
	TYPE "A" DISCONNECT SWITCH OF DETAIL AS INDICATED ON THE DRAWINGS.		INTRUSION ALARM DEVICE, MOTION SENSOR, WALL MOUNTED, PROVIDED BY OWNER. ELECTRICAL CONTRACTOR TO PROVIDE CONDUIT AND WIRING.
	DISCONNECT SWITCH PROVIDED BY DIVISION 23.		RECESSED DOOR CONTACT, PROVIDED BY OWNER. ELECTRICAL CONTRACTOR TO PROVIDE CONDUIT AND WIRING.
	VARIABLE FREQUENCY DRIVE SUPPLIED BY DIV. 25, INSTALLED NAD WIRED BY DIV. 26.		CCTV SECURITY CAMERA, PROVIDED BY OWNER. ELECTRICAL CONTRACTOR TO PROVIDE CONDUIT AND WIRING.
	MAGNETIC STARTER OF DETAIL AS INDICATED ON THE DRAWINGS.		
	COMBINATION STARTER OF DETAIL AS INDICATED ON THE DRAWINGS.		
	PULL BOX, JUNCTION BOX, DIRECT CONNECTION, OR EQUIPMENT AS INDICATED ON THE DRAWINGS.		
	347/600V AND 120/208V PANELS, SURFACE MOUNTED.		
	347/600V AND 120/208V PANELS, FLUSH MOUNTED.		

**DISCONNECT SWITCH LEGEND:**

	30A/600V/3P NON-FUSIBLE DISCONNECT SWITCH EQUAL TO EATON CAT. No. 1HD361NF. *WP* INDICATES WEATHERPROOF, CAT. No. 3HD361NF.
	60A/600V/3P NON-FUSIBLE DISCONNECT SWITCH EQUAL TO EATON CAT. No. 1HD362NF. *WP* INDICATES WEATHERPROOF, CAT. No. 3HD362NF.
	100A/600V/3P NON-FUSIBLE DISCONNECT SWITCH EQUAL TO EATON CAT. No. 1HD363NF. *WP* INDICATES WEATHERPROOF, CAT. No. 3HD363NF.
	200A/600V/3P NON-FUSIBLE DISCONNECT SWITCH EQUAL TO EATON CAT. No. 1HD364NF. *WP* INDICATES WEATHERPROOF, CAT. No. 3HD364NF.
	400A/600V/3P NON-FUSIBLE DISCONNECT SWITCH EQUAL TO EATON CAT. No. 1HD365NF. *WP* INDICATES WEATHERPROOF, CAT. No. 3HD365NF.
	30A/600V/3P MANUAL CONTROLLER EQUAL TO PASS & SEYMOUR CAT. No. 7813P. *WP* INDICATES WEATHERPROOF, CAT. No. 7803.

IMPERIAL SCALE DRAWING  
FIRST FLOOR ELEV. 00.00mm

No.	Issued / revised	Date:
1	Issued for Review	15 Jan 2014
2	Issued for Schematic Design	05 Feb 2014
3	Issued for Design Development	11 Apr 2014
4	Issued for Tender Review	13 Jun 2014
5	Issued for Tender	11 July 2014

PROFESSIONAL ENGINEER  
A.A. McDONALD  
6804  
ON  
S.A.  
E.C. O'Neill, Steven S. Asacco's Limited  
Consulting Engineers  
Professional Engineers  
1100 SHEPPARD AVENUE EAST, SUITE 200  
SCARBOROUGH, ONTARIO M1S 1T6  
Tel: (416) 291-1111 Fax: (416) 291-1112  
www.asacco.com

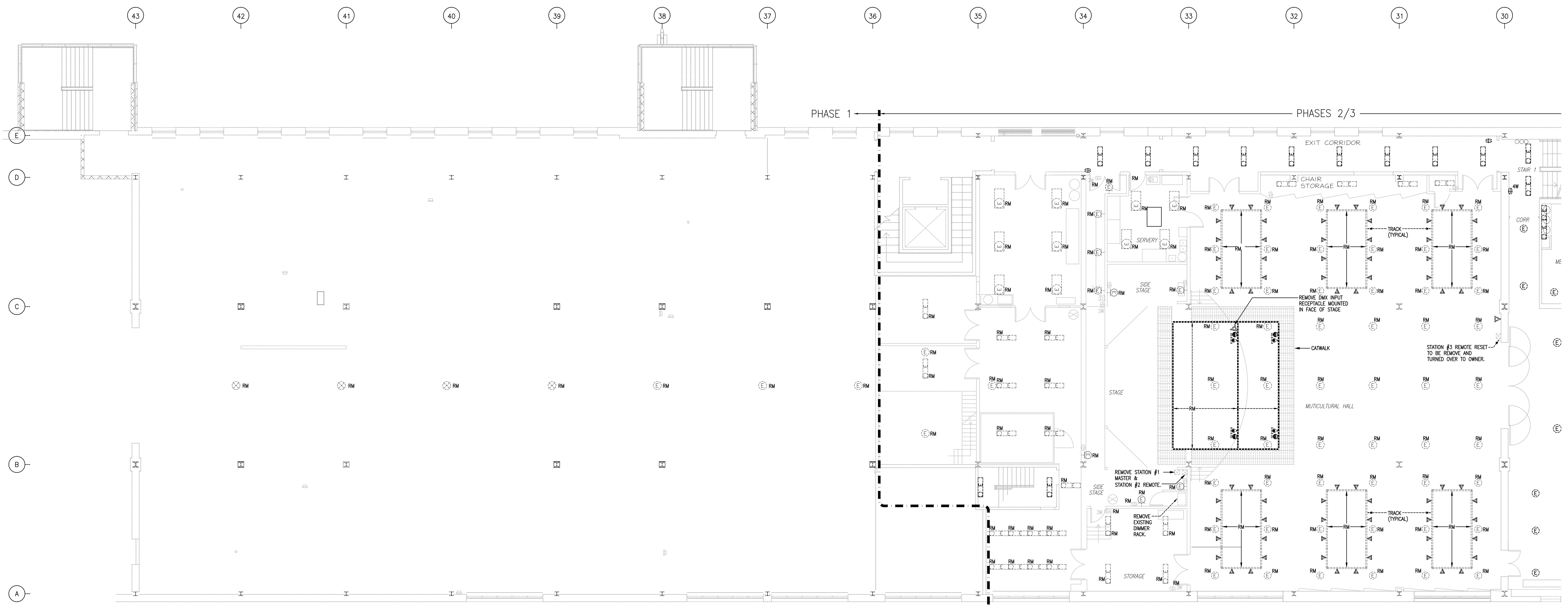
Luc Bouliane Architect Inc + David J Agro Architect Inc + Michael Grunsky Architect Inc  
1259 Dundas Street West, Toronto, M6J 1X6 Tel: 416 300 0656  
CANADIAN MUSEUM OF IMMIGRATION AT PIER 21

project no: 13-006  
scale: AS NOTED  
drawn by: RJT  
reviewed by: RJT  
date: Jan. 15/2014

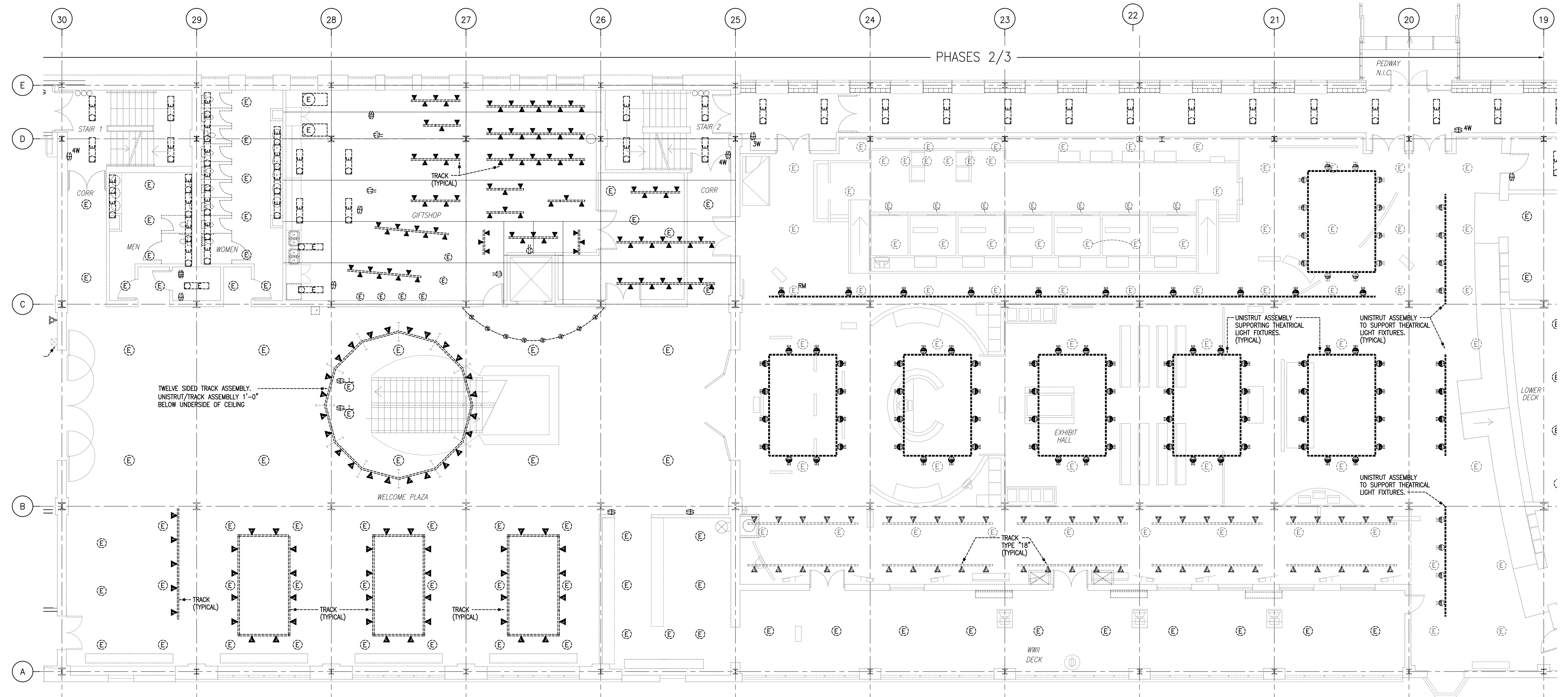
PIER 21  
ELECTRICAL LEGEND

E101





LIGHTING DEMOLITION LAYOUT - LEVEL 2 SOUTH  
1/8"=1'-0"



LIGHTING DEMOLITION LAYOUT - LEVEL 2 NORTH  
1/8"=1'-0"

IMPERIAL SCALE DRAWING  
FIRST FLOOR ELEV. 00.00m

No.	Issued / revised	date
1	Issued for Review	15 Jan 2014
2	Issued for Schematic Design	05 Feb 2014
3	Issued for Design Development	11 Apr 2014
4	Issued for Tender	13 June 2014
5	Issued for Tender	11 July 2014

PROFESSIONAL ENGINEER  
**Luc Bouliane**  
 A.A. McCORDALE  
 6604  
 REG. NO. OF ONT.  
 REG. NO. OF ONT.

E.C. O'Neill, Scireen & Assoc's Limited  
 Consulting Engineers  
 1100 SHEPPARD AVENUE EAST, SUITE 200  
 SCARBOROUGH, ONTARIO M1S 1T6  
 TEL: (416) 291-1111 FAX: (416) 291-1112  
 WWW.ECSA.COM

**on sa**

Luc Bouliane Architect Inc + David J Agro Architect Inc + Michael Grunsky Architect Inc  
 1259 Dundas Street West, Toronto, M6J 1X6 Tel. 416 300 0656

**CANADIAN MUSEUM OF IMMIGRATION AT PIER 21**

project no: 13-005  
 scale: AS NOTED  
 drawn by: RUT  
 reviewed by: RUT  
 date: Jan. 15/2014

PIER 21  
 LIGHTING DEMOLITION  
 LEVEL 2

**E102**

Drawing A1112881.E102 (DWG) Level 2.dwg was plotted 2014-01-28, at time 14:52:26 PM

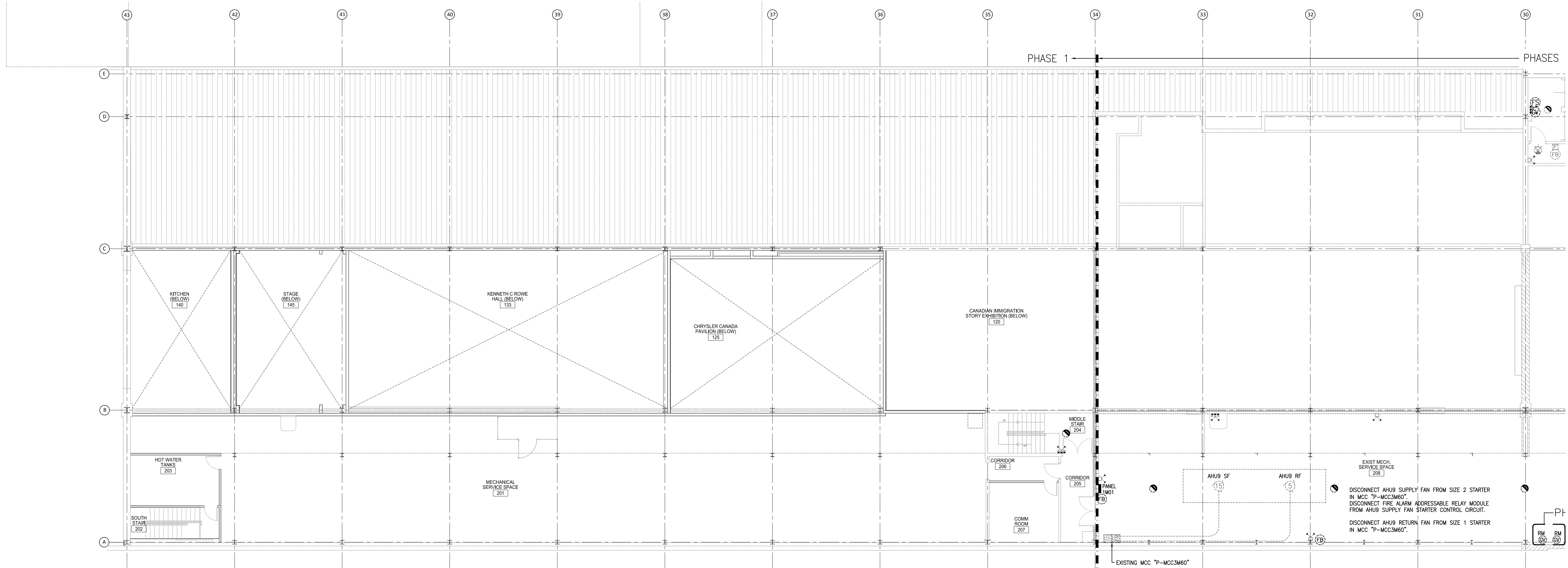




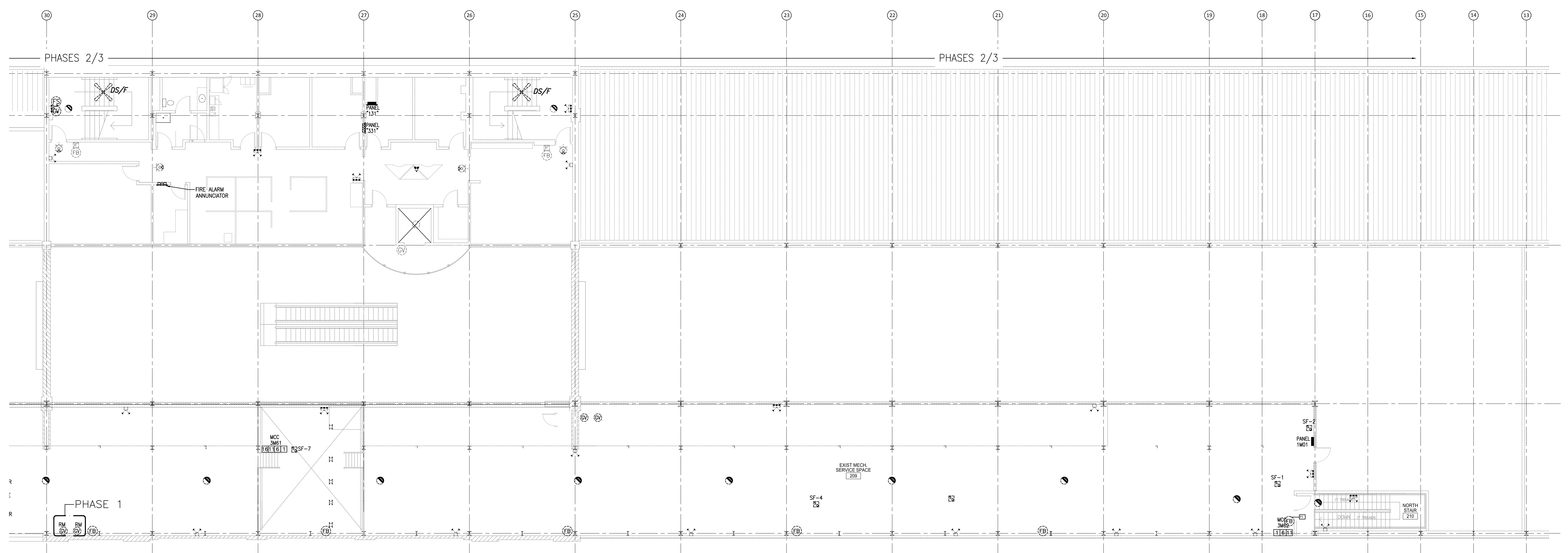








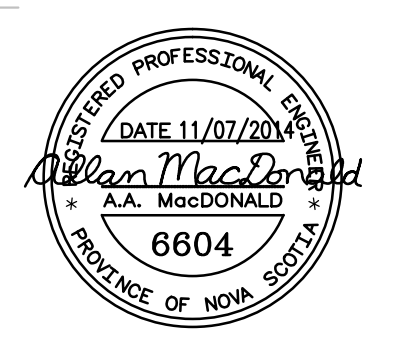
SYSTEMS DEMOLITION LAYOUT – MEZZANINE SOUTH  
1/8"=1'-0"



SYSTEMS DEMOLITION LAYOUT – MEZZANINE NORTH  
1/8"=1'-0"

IMPERIAL SCALE DRAWING  
FIRST FLOOR ELEV. 00.00m

NO.	Issued / revised	DATE
1	Issued for Review	15 Jan 2014
2	Issued for Schematic Design	05 Feb 2014
3	Issued for Design Development	11 Apr 2014
4	Issued for Tender Review	13 June 2014
5	Issued for Tender	11 July 2014



F.C. O'Neill, Steven S. Asacco's Limited  
Consulting Engineers  
Professional Engineers  
1100 SHEPPARD AVENUE EAST, SUITE 200, SCARBOROUGH, ONTARIO M1S 1T6  
TEL: (416) 291-8888 FAX: (416) 291-8889  
WWW.FCSA.COM



Luc Bouliane Architect Inc + David J Agro Architect Inc + Michael Grunsky Architect Inc  
1259 Dundas Street West, Toronto, M6J 1X6 Tel: 416 300 0656

CANADIAN MUSEUM OF IMMIGRATION AT PIER 21

project no: 13-005  
scale: AS NOTED  
drawn by: RUT  
reviewed by: RUT  
date: Jan. 15/2014

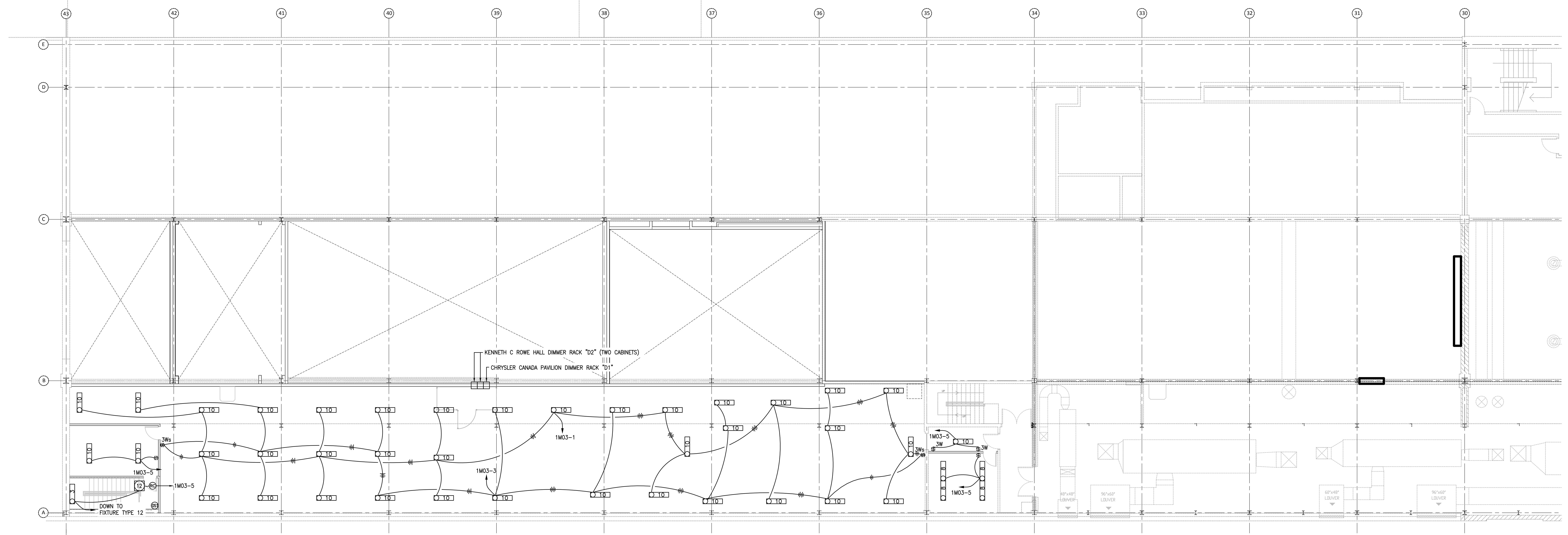
PIER 21  
POWER AND  
SYSTEMS DEMOLITION  
MEZZANINE

Drawing A1 (1/8"=1'-0") - Power and Systems Demolition Mezzanine, Rev. 01-20, of Date 1/15/2014

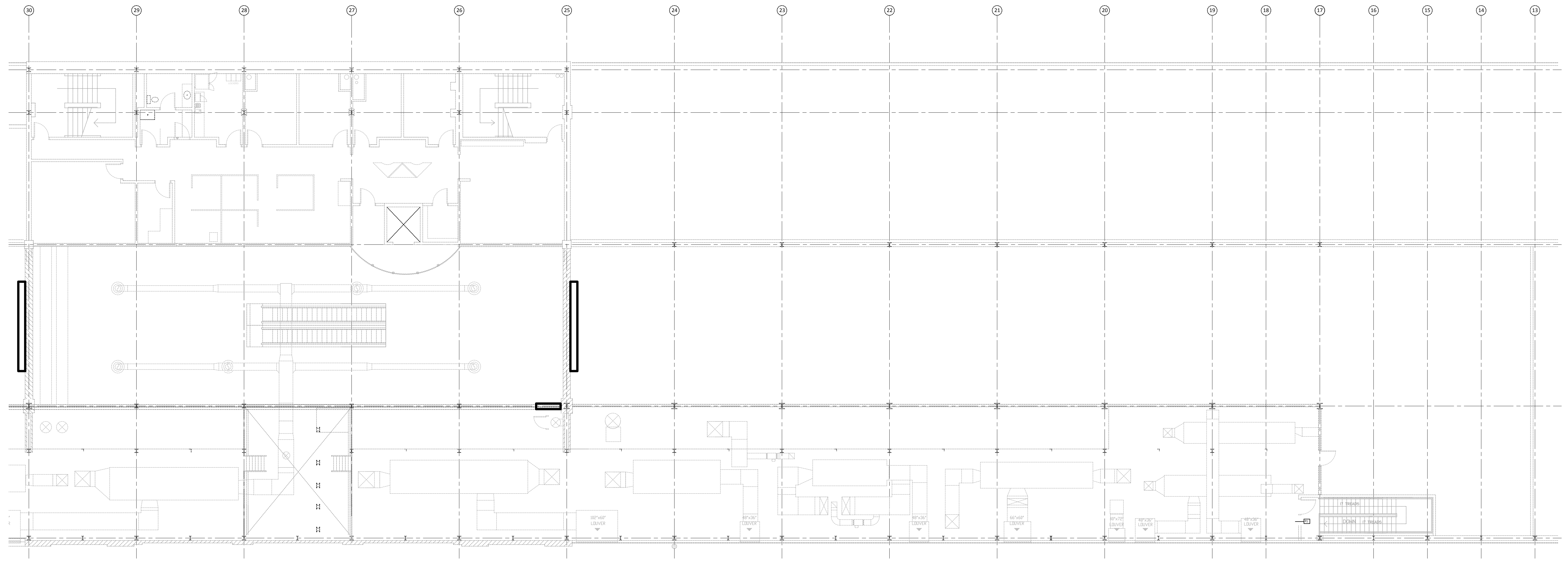








LIGHTING LAYOUT – MEZZANINE SOUTH  
1/8"=1'-0"



LIGHTING LAYOUT – MEZZANINE NORTH  
1/8"=1'-0"

PHASING OF WORK:  
ALL WORK DETAILED ON THIS DRAWING SHALL FALL UNDER SCOPE OF WORK DEFINED AS PHASE 1 UNLESS OTHERWISE NOTED ON THE PLAN.

IMPERIAL SCALE DRAWING  
FIRST FLOOR ELEV. 00.00m

NO.	Issued / revised	DATE
1	Issued for Review	15 Jan 2014
2	Issued for Schematic Design	05 Feb 2014
3	Issued for Design Development	11 Apr 2014
4	Issued for Tender Review	13 Jun 2014
5	Issued for Tender	11 July 2014

PROFESSIONAL ENGINEER  
A.A. McDONALD  
6804  
E.C. O'Neill, Steven S. Asacco's Limited  
Consulting Engineers  
Professional Engineers  
1100 SHEPPARD AVENUE EAST, SUITE 200, SCARBOROUGH, ONTARIO M1S 1T6  
TEL: (416) 291-1111 FAX: (416) 291-1112  
www.onlinet.com

on sa

Luc Bouliane Architect Inc + David J Agro Architect Inc + Michael Grunsky Architect Inc  
1259 Dundas Street West, Toronto, M6J 1X6 Tel: 416 300 0656

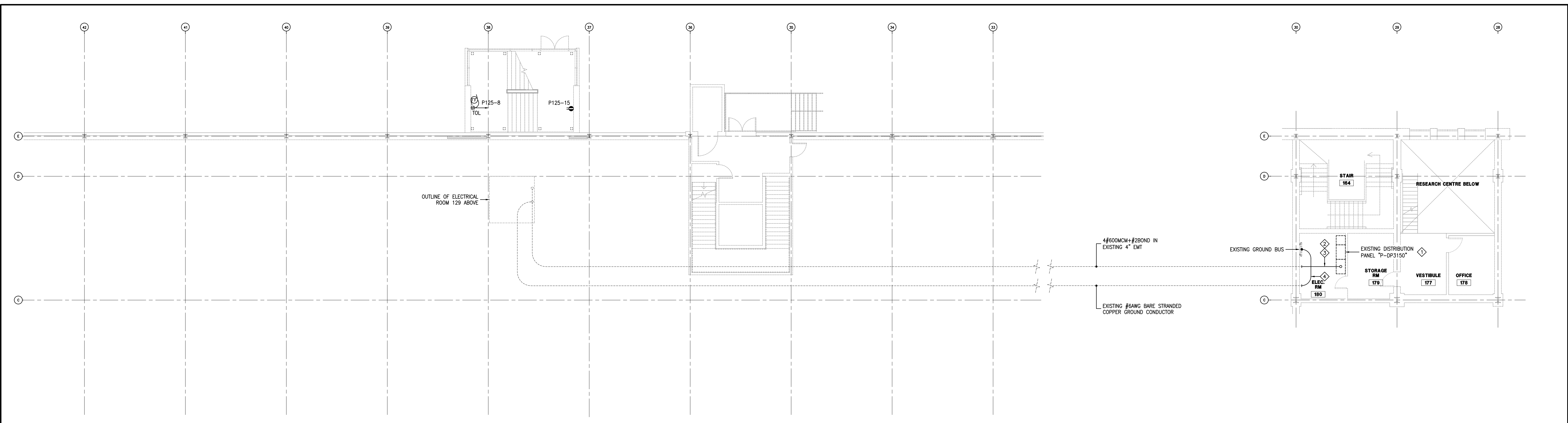
CANADIAN MUSEUM OF IMMIGRATION AT PIER 21

project no: 13-066  
scale: AS NOTED  
drawn by: RUT  
reviewed by: RUT  
date: Jan. 15/2014

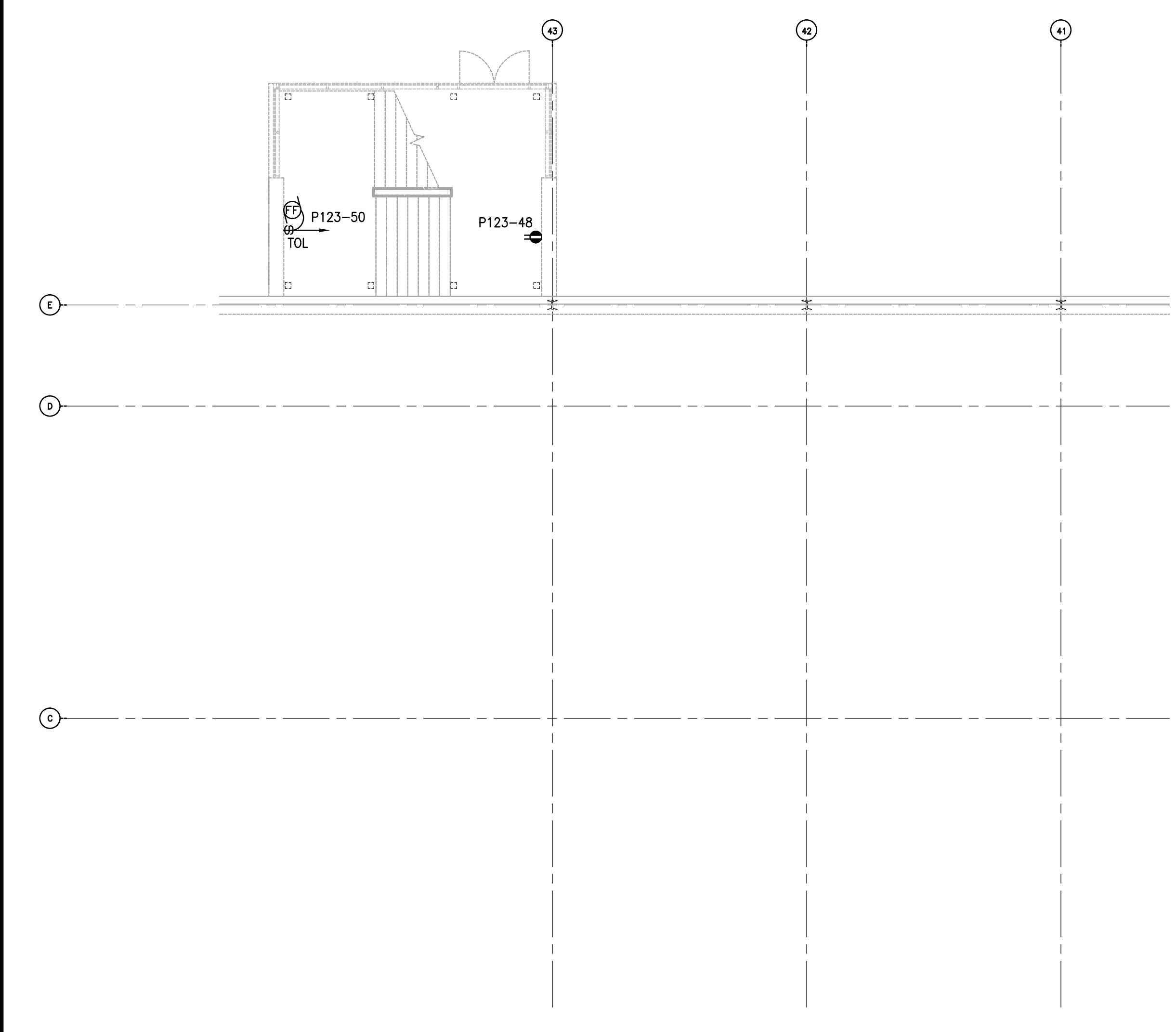
PIER 21  
LIGHTING  
MEZZANINE  
E107

Drawing No. 13-066 (L107) - Lighting Mezzanine was plotted 2014-01-17, at time 4:25:40 PM





POWER LAYOUT – PARTIAL LEVEL 1 SOUTH  
1/8"=1'-0"



POWER LAYOUT – PARTIAL LEVEL 1 SOUTH  
1/8"=1'-0"

**LEVEL 1 POWER NOTES:**

INDICATED BY THE  $\diamond$  SYMBOL ON THE DRAWINGS. (I.E.  $\diamond$  INDICATES NOTE 1)

**NOTE 1:** PROVIDE ONE 400A-3P 100% RATED CIRCUIT BREAKER IN EXISTING 347/600V DISTRIBUTION PANEL "P-DP3150", COMPLETE WITH ALL REQUIRED MOUNTING HARDWARE (INTERRUPTING CAPACITY TO MATCH EXISTING).

**NOTE 2:** EXTEND EXISTING 4" EMT FROM GRID LINE 30 TO EXISTING 347/600V DISTRIBUTION PANEL "P-DP3150".

**NOTE 3:** PROVIDE NEW CONDUCTORS FROM NEW 400A-3P CIRCUIT BREAKER TO NEW 347/600V DISTRIBUTION PANEL "P-DP3201" IN ELECTRICAL ROOM 129.

**NOTE 4:** TERMINATE EXISTING #6 BARE STRANDED COPPER CONDUCTOR (COILED UP ON WALL) ON EXISTING GROUND BUS.

**PHASING OF WORK:**  
ALL WORK DETAILED ON THIS DRAWING SHALL FALL UNDER SCOPE OF WORK DEFINED AS PHASE 1 UNLESS OTHERWISE NOTED ON THE PLAN.

IMPERIAL SCALE DRAWING  
FIRST FLOOR ELEV. 00.00m

NO.	ISSUED / REVISED	DATE
1	Issued for Review	15 Jan 2014
2	Issued for Schematic Design	05 Feb 2014
3	Issued for Design Development	11 April 2014
4	Issued for Tender Review	13 June 2014
5	Issued for Tender	11 July 2014

Luc Bouliane Architect Inc + David J Agro Architect Inc + Michael Grunsky Architect Inc  
1259 Dundas Street West, Toronto, M6J 1X6 Tel: 416 300 0656

CANADIAN MUSEUM OF IMMIGRATION AT PIER 21

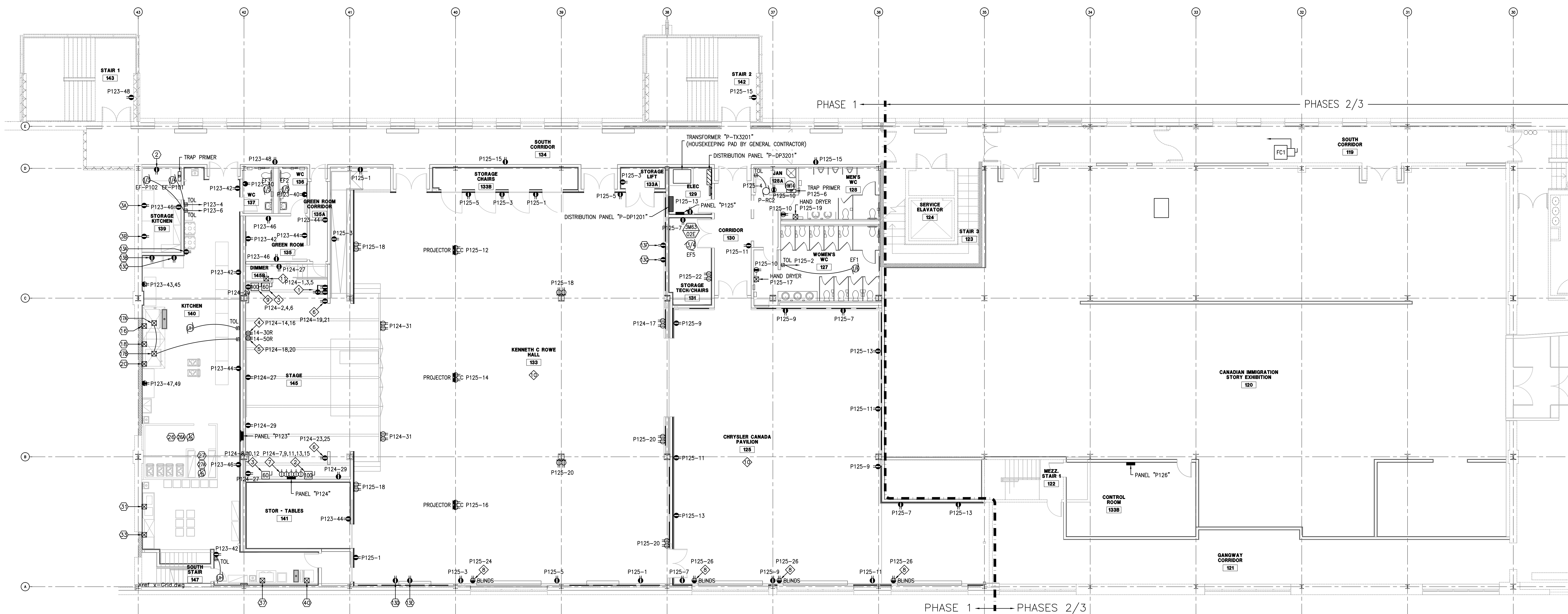
project no: 13-005  
scale: AS NOTED  
drawn by: R.J.  
reviewed by: A.M.  
date: Jan 15 2014

PIER 21  
POWER  
LEVEL 1

E108

Drawing No: 13005/ELEC/DWG/ELEV108 - Power Level 1.dwg was plotted 2014-01-17, at time 2:26:42 PM





POWER LAYOUT - LEVEL 2 SOUTH  
1/8"=1'-0"

ITEM	DESCRIPTION	LOAD	VOLTS	PHASE	BREAKER	CIRCUIT No.	FEEDER	CONNECTION
2	REFRIGERATOR	11.8 A	120	1	20-1P	P123-34	2#12+1#12BOND-1/2"	5-20R DUPLEX RECEPTACLE
3A	REFRIGERATOR	12 A	120	1	20-1P	P123-36	2#12+1#12BOND-1/2"	5-20R DUPLEX RECEPTACLE
3B	REFRIGERATOR	12 A	120	1	20-1P	P123-38	2#12+1#12BOND-1/2"	5-20R DUPLEX RECEPTACLE
4	HOT CART	12 A	120	1	20-1P	P123-25	2#12+1#12BOND-1/2"	5-20R DUPLEX RECEPTACLE
5	HOT CART	12 A	120	1	20-1P	P123-27	2#12+1#12BOND-1/2"	5-20R DUPLEX RECEPTACLE
6	HOT CART	12 A	120	1	20-1P	P123-29	2#12+1#12BOND-1/2"	5-20R DUPLEX RECEPTACLE
7	HOT CART	12 A	120	1	20-1P	P123-31	2#12+1#12BOND-1/2"	5-20R DUPLEX RECEPTACLE
8	HOT CART	12 A	120	1	20-1P	P123-33	2#12+1#12BOND-1/2"	5-20R DUPLEX RECEPTACLE
9	HOT CART	12 A	120	1	20-1P	P123-35	2#12+1#12BOND-1/2"	5-20R DUPLEX RECEPTACLE
10	HOT CART	12 A	120	1	20-1P	P123-37	2#12+1#12BOND-1/2"	5-20R DUPLEX RECEPTACLE
11	SKILLET	41.6 A	208	3	60A-3P	P123-1,3,5,7	3#6+1#8BOND-1"	DIRECT CONNECTION
12	EXHAUST HOOD	120	120	1	15A-1P	P123-39	2#12+1#12BOND-1/2"	DIRECT CONNECTION
13	EXHAUST HOOD	120	120	1	15A-1P	P123-39	2#12+1#12BOND-1/2"	DIRECT CONNECTION
14	RANGE	48 A	208	3	60A-3P	P123-13,15,17,19	2#6+1#8BOND-1"	DIRECT CONNECTION
15	COMB-OVEN	62 KW	208	3	225A-3P	DP1201-19,21,23	2#4/0+1#4BOND-2"	DIRECT CONNECTION
16	WALK-IN COOLER	120	120	1	15A-1P	P123-28	2#12+1#12BOND-1/2"	DIRECT CONNECTION
17	EVAPORATOR	3.6 A	120	1	15A-1P	P123-30	2#12+1#12BOND-1/2"	DIRECT CONNECTION
18	COMPRESSOR	14.6 A	208	1	40A-2P	P123-16,18	2#12+1#12BOND-1/2"	DIRECT CONNECTION
19	WALK-IN FREEZER	120	120	1	15A-1P	P123-32	2#12+1#12BOND-1/2"	DIRECT CONNECTION
20	EVAPORATOR	9.8 A	208	1	30A-2P	P123-20,22	2#12+1#12BOND-1/2"	DIRECT CONNECTION
21	COMPRESSOR	16.9 A	208	1	40A-2P	P123-24,26	2#12+1#12BOND-1/2"	DIRECT CONNECTION
22	RINSE WATER BOOSTER	6 KW	208	1	40A-2P	P123-9,11	2#8+1#10BOND-1/2"	DIRECT CONNECTION
23	DISHWASHER	18 A	120	1	30A-1P	P123-41	2#10+1#12BOND-1/2"	DIRECT CONNECTION
24	COFFEE MAKER	33.4 A	120/208	1	40A-2P	P123-8,10	3#8+1#10BOND-3/4"	DIRECT CONNECTION
25	ICE MAKER	6.7 A	208	1	15A-2P	P123-12,14	2#12+1#12BOND-1/2"	DIRECT CONNECTION
26	HOT WATER TANK	3380 W	208	1	20A-2P	1M03-2,4	2#12+1#12BOND-1/2"	DIRECT CONNECTION
27	HOT WATER TANK	3380 W	208	1	20A-2P	1M03-6,8	2#12+1#12BOND-1/2"	DIRECT CONNECTION
28	HOT WATER TANK TOP ELEMENT	3380 W	208	1	20A-2P	1M03-10,12	2#12+1#12BOND-1/2"	DIRECT CONNECTION
29	HOT WATER TANK BOTTOM ELEMENT	3380 W	208	1	20A-2P	1M03-14,16	2#12+1#12BOND-1/2"	DIRECT CONNECTION

**LEVEL 2 POWER NOTES:**

INDICATED BY THE  $\diamond$  SYMBOL ON THE DRAWINGS. (I.E.  $\diamond$  INDICATES NOTE 1)

NOTE 1: PROVIDE THREE 5-20R DUPLEX RECEPTACLES IN EXISTING AUDIO EQUIPMENT RACK RELOCATED FROM FORMER STAGE AT GRID LINE 33.

NOTE 2: RELOCATE EXISTING 100A DISCONNECT SWITCH AND CAM-LOCKS FROM FORMER STAGE AT GRID LINE 33. REFER TO SINGLE LINE DIAGRAM FOR FEEDER (RELOCATION ONLY IN PHASE 2).

NOTE 3: RELOCATE EXISTING 60A DISCONNECT SWITCH AND CAM-LOCKS FROM FORMER STAGE AT GRID LINE 33. FEEDER: 4#6+1#8BOND-1" (RELOCATION ONLY IN PHASE 2).

NOTE 4: FEED 14-30R SINGLE RECEPTACLE WITH 3#10+1#10BOND-1/2".

NOTE 5: FEED 14-50R SINGLE RECEPTACLE WITH 3#8+1#10BOND-3/4".

NOTE 6: PROVIDE EIGHT 5-20R DUPLEX RECEPTACLES AT THIS LOCATION.

NOTE 7: PROVIDE FIVE 15-20R SINGLE RECEPTACLES BENEATH PANEL "P124".

NOTE 8: RECEPTACLE FOR WINDOW BLIND. COORDINATE EXACT LOCATION WITH DIVISION 12.

NOTE 9: DISCONNECT SWITCH WITH CAM-LOCKS EQUAL TO CROUSE-HINDS CAT. No. SEV-2-4. UNIT SHALL BE COMPLETE WITH NEMA 1 ENCLOSURE, 100A NON-FUSIBLE DISCONNECT SWITCH, AND CROUSE-HINDS E1016 SERIES FEMALE CONNECTORS (GREEN, WHITE, BLACK, RED, BLUE). REFER TO SINGLE LINE DIAGRAM FOR FEEDER.

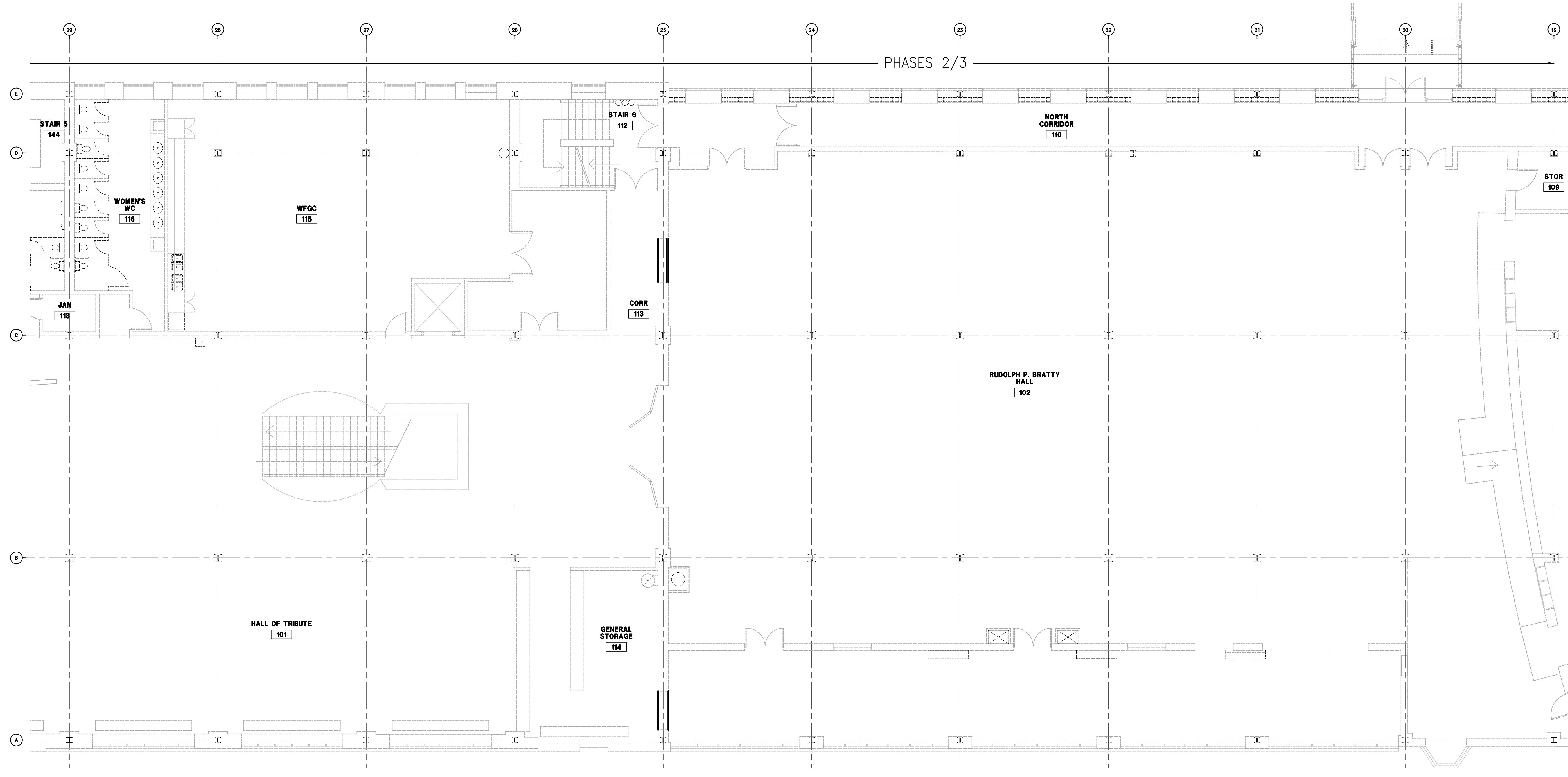
NOTE 10: RECEPTACLES IN CHRYSLER CANADA PAVILION 125 AND KENNETH C ROWE HALL SHALL BE MOUNTED 12" A.F.F.

NOTE 11: PROVIDE JUNCTION BOX AND BRANCH CIRCUIT WIRING FOR ELECTRIC HOIST MOTORS.

**GENERAL NOTES:**

REFER TO ENLARGED REFLECTED CEILING PLAN A1.3.1 FOR PAINTING OF EXPOSED CONDUIT AND HANGERS.

HANGERS SHALL BE CONNECTED TO STRUCTURAL STEEL. REFER TO ENLARGED REFLECTED CEILING PLAN A1.3.1 FOR DETAILS.



POWER LAYOUT - LEVEL 2 NORTH  
1/8"=1'-0"

**PHASING OF WORK:**

ALL WORK DETAILED ON THIS DRAWING SHALL FALL UNDER SCOPE OF WORK DEFINED AS PHASE 1 UNLESS OTHERWISE NOTED ON THE PLAN.

IMPERIAL SCALE DRAWING  
FIRST FLOOR ELEV. 00.00m

No.	Issued / revised	Date
1	Issued for Review	15 Jan 2014
2	Issued for Schematic Design	05 Feb 2014
3	Issued for Design Development	11 Apr 2014
4	Issued for Tender	13 June 2014
5	Issued for Tender	11 July 2014

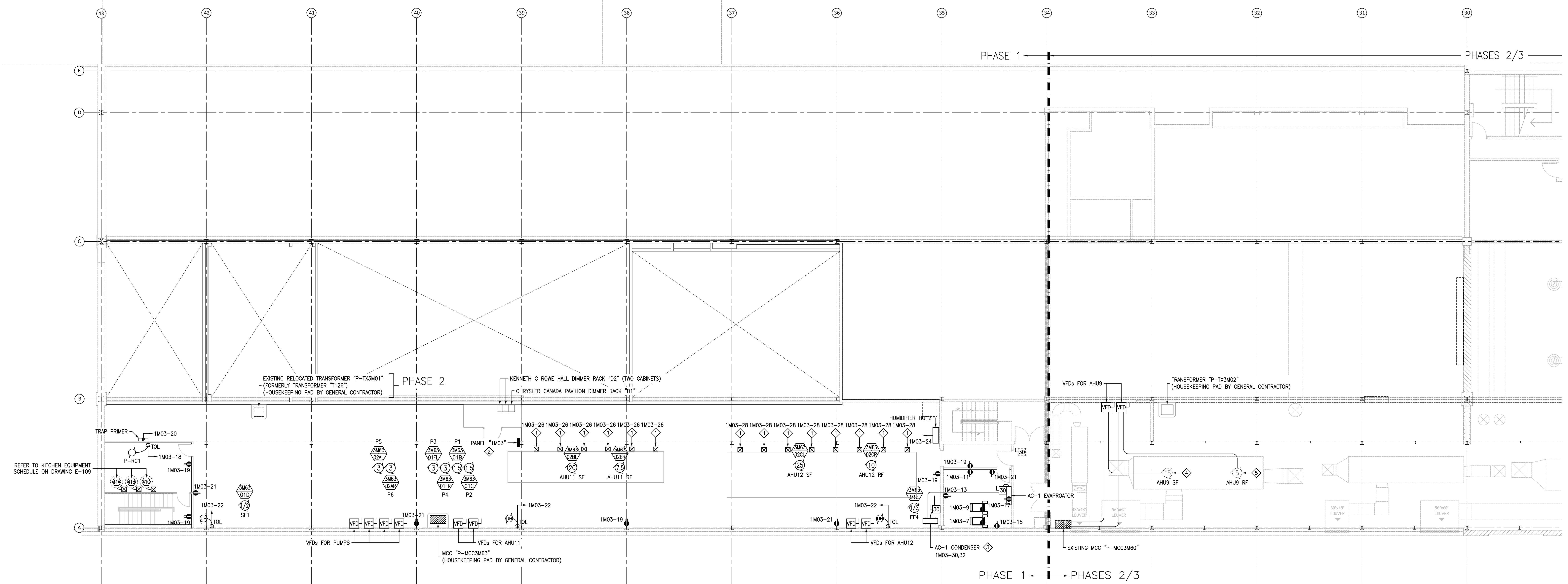
PROFESSIONAL ENGINEER  
A.A. McDONALD  
6804  
E.C. O'Neill, Steven S. Asacco's Limited  
Consulting Engineers  
Professional Engineers  
1000 SHEPPARD AVENUE EAST, SUITE 100  
SCARBOROUGH, ONTARIO M1S 1T6  
Tel: (416) 291-1111 Fax: (416) 291-1112  
www.on.ca

Luc Bouliane Architect Inc + David J Agro Architect Inc + Michael Grunsky Architect Inc  
1259 Dundas Street West, Toronto, M6J 1X6 Tel: 416 300 0656

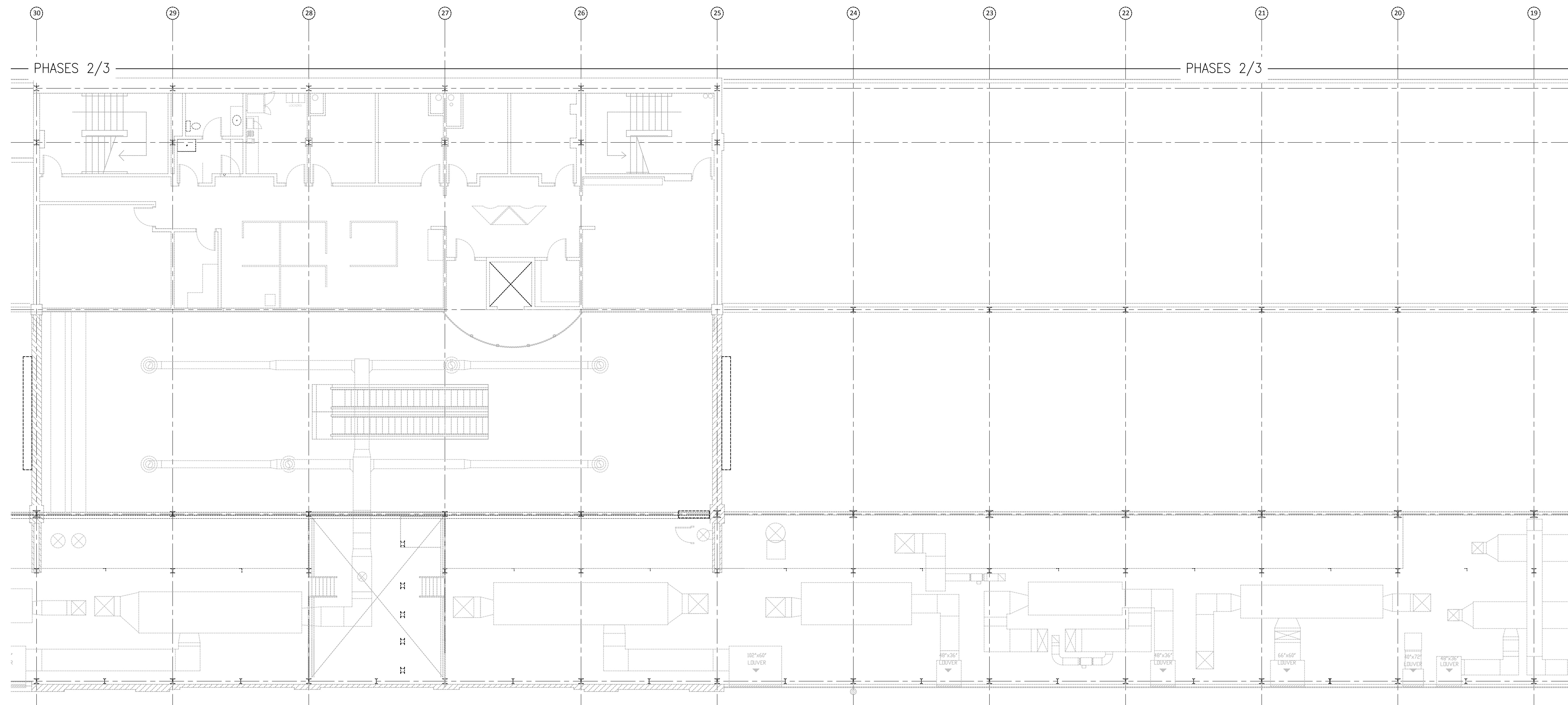
CANADIAN MUSEUM OF IMMIGRATION AT PIER 21

project no: 13-005  
scale: AS NOTED  
drawn by: RUT  
reviewed by: RUT  
date: Jan. 15/2014





POWER LAYOUT - MEZZANINE SOUTH  
1/8"=1'-0"



POWER LAYOUT - MEZZANINE NORTH  
1/8"=1'-0"

**MEZZANINE POWER NOTES:**

INDICATED BY THE  $\diamond$  SYMBOL ON THE DRAWINGS. (I.E.  $\diamond$  INDICATES NOTE 1)

NOTE 1: DIRECT CONNECTION FOR AIR HANDLING UNIT FACTORY-INSTALLED LIGHTING.

NOTE 2: PROVIDE UNISTRUT SUPPORT AS REQUIRED FOR PANEL "1M03".

NOTE 3: FEED AC-1 CONDENSER FROM 20A-2P GFCI CIRCUIT BREAKER IN PANEL "1M03" WITH 2#12+1#2BOND-1/2". FEED EVAPORATOR FROM CONDENSER WITH 3#12+1#2BOND-1/2". DISCONNECT SWITCHES SHALL BE EQUAL TO PASS & SEYMOUR CAT. NO. 7802P AND 7803P. REFER TO DRAWING H501.

NOTE 4: PROVIDE 1-40A-3P CIRCUIT BREAKER IN EXISTING MCC "P-MCC3M60" (FRAME TO MATCH EXISTING) COMPLETE WITH REQUIRED MOUNTING HARDWARE. EXTEND EXISTING WIRING FOR AHU9 SUPPLY FAN TO THIS CIRCUIT BREAKER (3#10+1#2BOND-1/2"). INSTALL AND WIRE NEW VARIABLE FREQUENCY DRIVE (SUPPLIED BY DIVISION 23).

NOTE 5: PROVIDE 1-15A-3P CIRCUIT BREAKER IN EXISTING MCC "P-MCC3M60" (FRAME TO MATCH EXISTING) COMPLETE WITH REQUIRED MOUNTING HARDWARE. EXTEND EXISTING WIRING FOR AHU9 RETURN FAN TO THIS CIRCUIT BREAKER (3#10+1#2BOND-1/2"). INSTALL AND WIRE NEW VARIABLE FREQUENCY DRIVE (SUPPLIED BY DIVISION 23).

**GENERAL NOTES:**

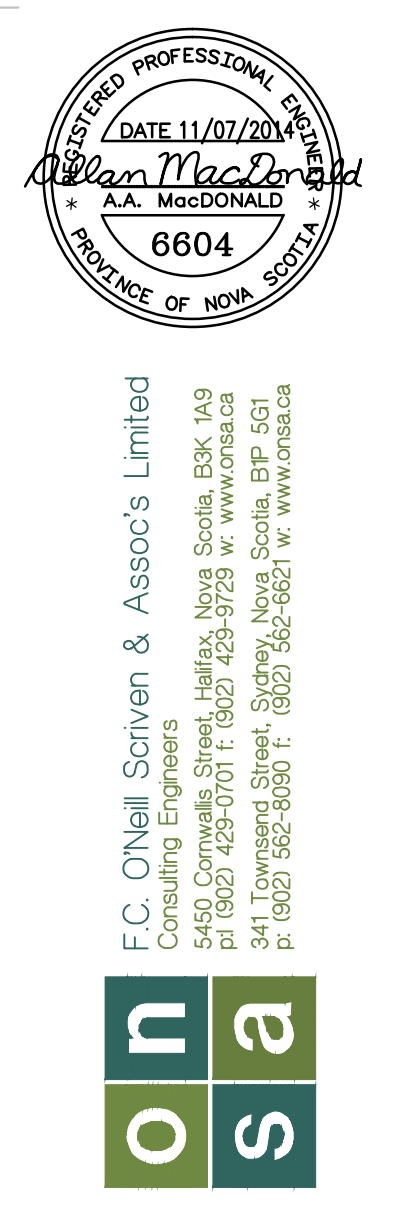
COORDINATE EXACT LOCATIONS OF VARIABLE FREQUENCY DRIVES WITH DIVISION 25.

**PHASING OF WORK:**

ALL WORK DETAILED ON THIS DRAWING SHALL FALL UNDER SCOPE OF WORK DEFINED AS PHASE 1 UNLESS OTHERWISE NOTED ON THE PLAN.

IMPERIAL SCALE DRAWING  
FIRST FLOOR ELEV. 00.00m

NO.	Issued / revised	DATE
1	Issued for Review	15 Jan 2014
2	Issued for Schematic Design	05 Feb 2014
3	Issued for Design Development	11 April 2014
4	Issued for Tender Review	13 June 2014
5	Issued for Tender	11 July 2014



Luc Bouliane Architect Inc + David J Agro Architect Inc + Michael Grunsky Architect Inc  
1259 Dundas Street West, Toronto, M6J 1X6 Tel: 416 300 0656

CANADIAN MUSEUM OF IMMIGRATION AT PIER 21

project no: 13-005  
scale: AS NOTED  
drawn by: RUT  
reviewed by: RUT  
date: Jan. 15/2014

PIER 21  
POWER  
MEZZANINE

E110

Drawing No: 130881-01-01-17, at time 4:25:40 PM

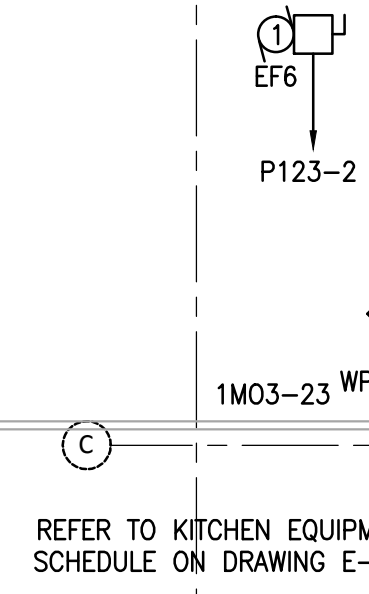


ROOF OF  
EXISTING EXIT  
STAIR 1

ROOF OF  
EXISTING EXIT  
STAIR 2

EXISTING LOW ROOF

EXISTING  
HIGH ROOF



REFER TO KITCHEN EQUIPMENT  
SCHEDULE ON DRAWING E-109

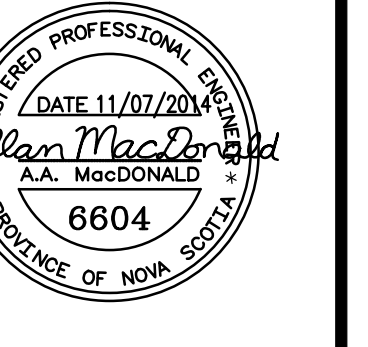


**ROOF POWER NOTES:**  
 INDICATED BY THE  $\diamond$  SYMBOL ON THE DRAWINGS. (I.E.  $\diamond$  INDICATES NOTE 1)  
**NOTE 1:** 5-20R DUPLEX RECEPTACLE MOUNTED ON EXTERIOR WALL 36" ABOVE LOW ROOF.  
**NOTE 2:** 5-20R DUPLEX RECEPTACLE ON THALER CAT. No. MERS-750A ALUMINUM ELECTRICAL OUTLET SUPPORT. INSTALL IN ACCORDANCE WITH MANUFACTURER'S RECOMMENDATIONS.

POWER LAYOUT - MEZZANINE SOUTH  
1/8"=1'-0"

IMPERIAL SCALE DRAWING  
FIRST FLOOR ELEV. 00.00m

No.	Issued / revised	Date
1	Issued for Review	15 Jan 2014
2	Issued for Schematic Design	05 Feb 2014
3	Issued for Design Development	11 April 2014
4	Issued for Tender Review	13 June 2014
5	Issued for Tender	11 July 2014



E.C. O'Neill, Steven S. Asso's Limited  
 Consulting Engineers  
 1100 SHEPPARD AVENUE EAST, SUITE 100  
 SCARBOROUGH, ONTARIO M1S 1T6  
 TEL: (416) 291-1111 FAX: (416) 291-1112  
 WWW.ECSA.COM



Luc Bouliane Architect Inc + David J Agro Architect Inc + Michael Grunsky Architect Inc  
 1259 Dundas Street West, Toronto, M6J 1X6 Tel: 416 300 0656  
**CANADIAN MUSEUM OF IMMIGRATION AT PIER 21**

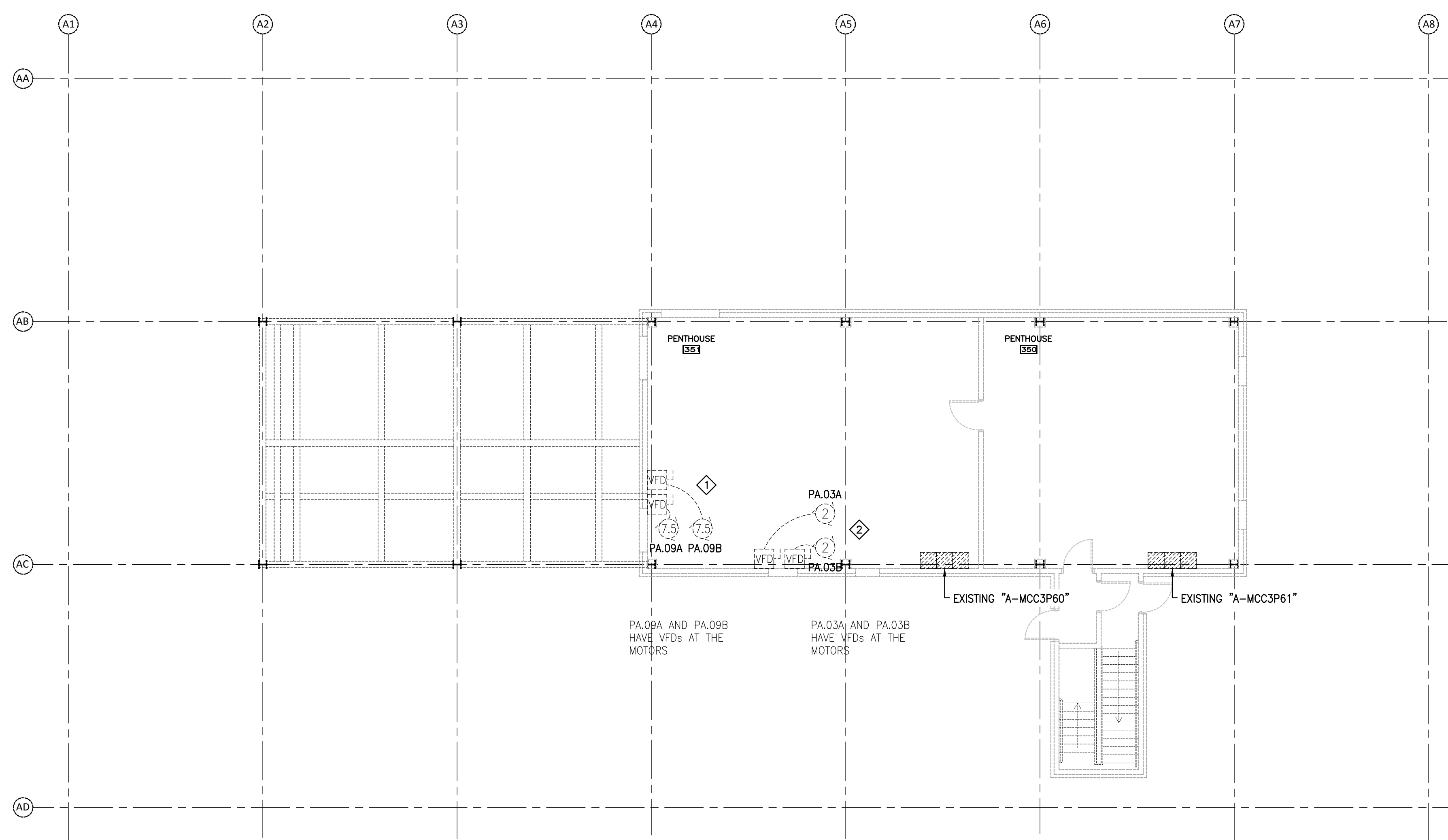
project no: 13-006  
 scale: AS NOTED  
 drawn by: RJT  
 reviewed by: RJT  
 date: Jan. 15/2014

**PHASING OF WORK:**  
 ALL WORK DETAILED ON THIS DRAWING SHALL FALL UNDER SCOPE OF WORK DEFINED AS PHASE 1 UNLESS OTHERWISE NOTED ON THE PLAN.

PIER 21  
POWER  
ROOF

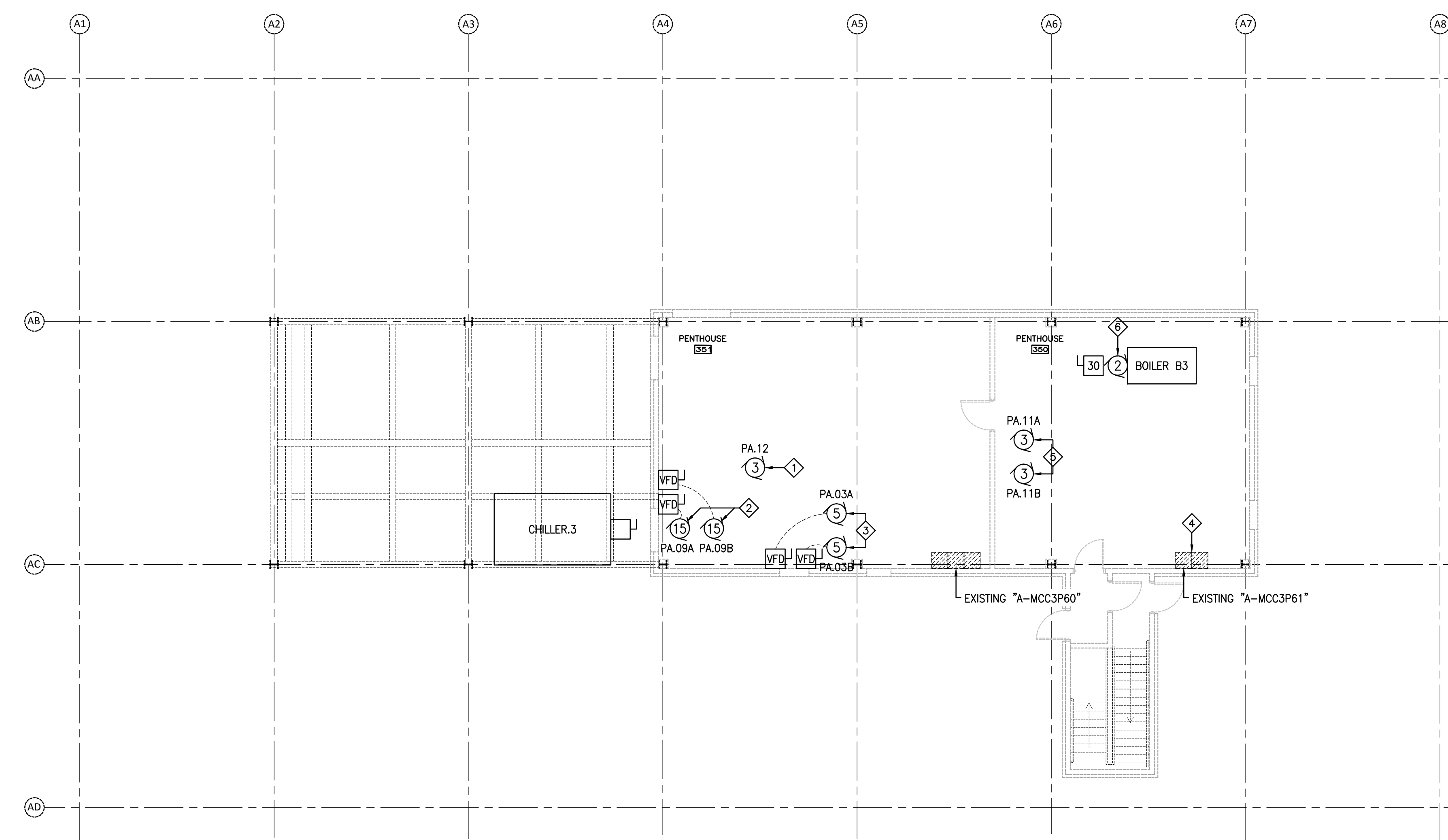
E111





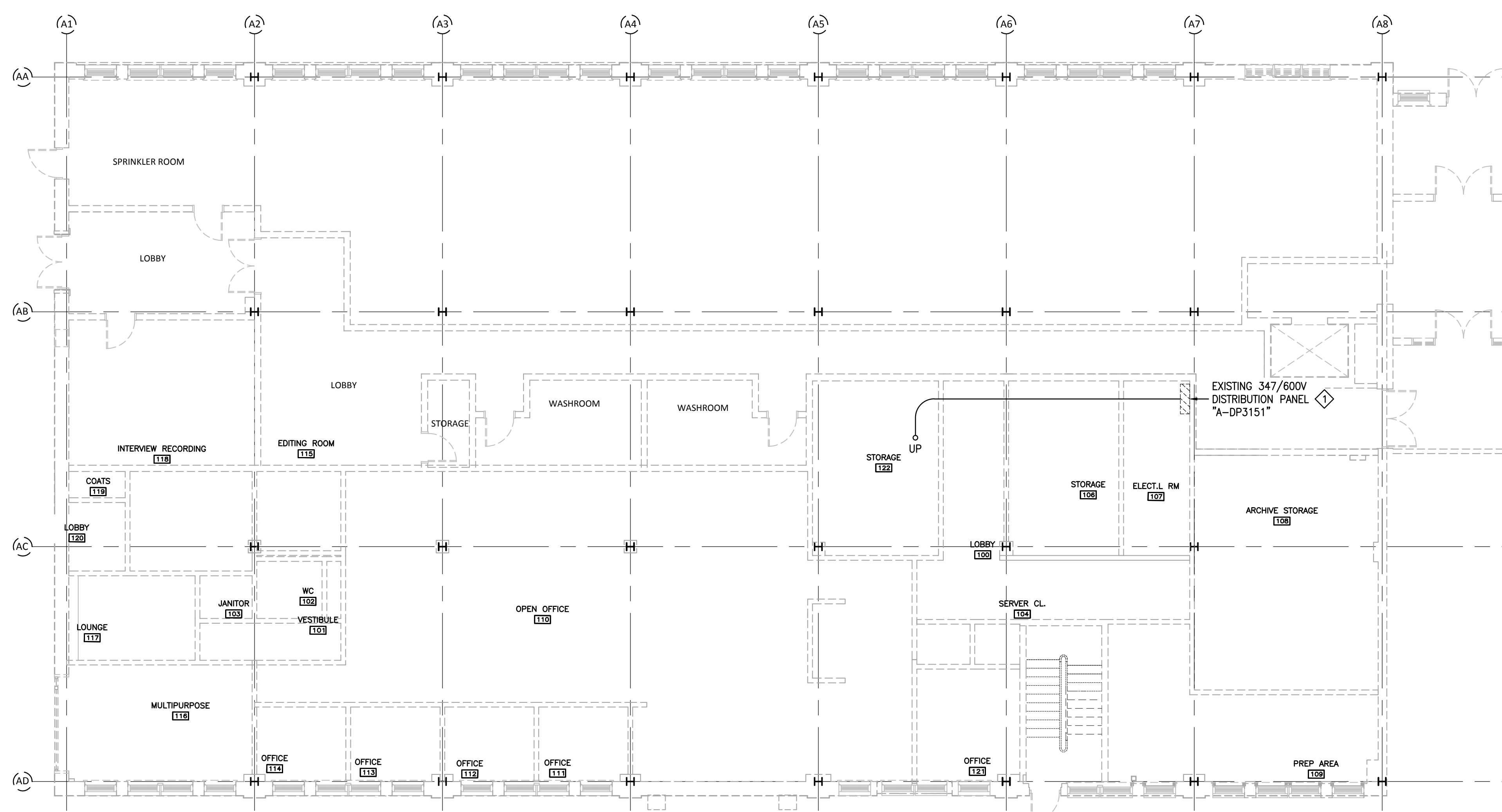
**ANNEX PENTHOUSE POWER DEMOLITION NOTES:**  
 INDICATED BY THE ◊ SYMBOL ON THE DRAWINGS. (I.E. ◊ INDICATES NOTE 1)  
**NOTE 1:** DISCONNECT EXISTING VARIABLE FREQUENCY DRIVES AND BRANCH CIRCUIT WIRING FROM PUMPS P-09A AND P-09B.  
**NOTE 2:** DISCONNECT EXISTING VARIABLE FREQUENCY DRIVES AND BRANCH CIRCUIT WIRING FROM PUMPS P-03A AND P-03B.  
**GENERAL NOTES:**  
 COORDINATE EXACT LOCATIONS OF VARIABLE FREQUENCY DRIVES WITH DIVISION 25.

POWER DEMOLITION LAYOUT - ANNEX PENTHOUSE  
 1/8"=1'-0"



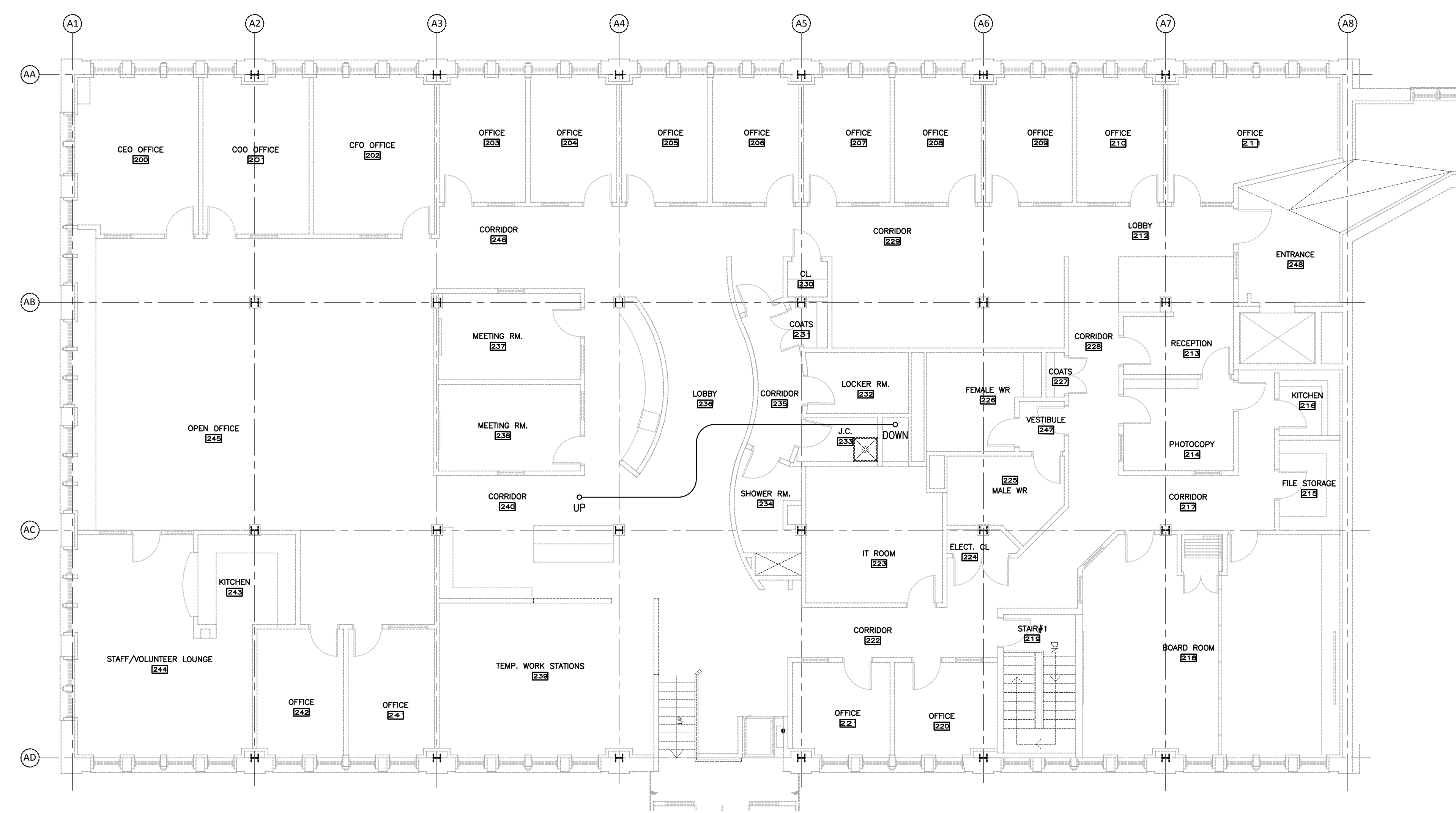
**ANNEX PENTHOUSE POWER NOTES:**  
 INDICATED BY THE ◊ SYMBOL ON THE DRAWINGS. (I.E. ◊ INDICATES NOTE 1)  
**NOTE 1:** CONNECT NEW PUMP PA.12 TO SPARE SIZE 1 STARTER IN EXISTING MCC 'A-MCC3P60' WITH 4#12+1#2BOND-1/2". SET OVERLOADS TO SUIT MOTOR RUNNING CURRENT.  
**NOTE 2:** INSTALL NEW VARIABLE FREQUENCY DRIVES (SUPPLIED BY DIVISION 25) FOR NEW PUMPS P.09A AND P.09B. CONNECT TO NEW PUMPS USING EXISTING CONDUIT AND WIRING.  
**NOTE 3:** INSTALL NEW VARIABLE FREQUENCY DRIVES (SUPPLIED BY DIVISION 25) FOR NEW PUMPS P.03A AND P.03B. CONNECT TO NEW PUMPS USING EXISTING CONDUIT AND WIRING.  
**NOTE 4:** PROVIDE ONE NEW SIZE 1 STARTER (TO MATCH EXISTING) IN EXISTING MCC 'A-MCC3P61'.  
**NOTE 5:** CONNECT NEW PUMPS PA.11A AND P.11B TO SPARE SIZE 1 STARTERS IN EXISTING MCC 'A-MCC3P61' WITH 4#12+1#2BOND-1/2". SET OVERLOADS TO SUIT MOTOR RUNNING CURRENTS.  
**NOTE 6:** CONNECT NEW BURNER OF BOILER B3 TO NEW SIZE 1 STARTER IN EXISTING MCC 'A-MCC3P61' WITH 4#12+1#2BOND-1/2". SET OVERLOADS TO SUIT MOTOR RUNNING CURRENT.  
**GENERAL NOTES:**  
 COORDINATE EXACT LOCATIONS OF VARIABLE FREQUENCY DRIVES WITH DIVISION 25.

POWER LAYOUT - ANNEX PENTHOUSE  
 1/8"=1'-0"



**ANNEX LEVEL 1 POWER NOTES:**  
 INDICATED BY THE ◊ SYMBOL ON THE DRAWINGS. (I.E. ◊ INDICATES NOTE 1)  
**NOTE 1:** FEED NEW CHILLER.3 FROM SPARE 225A-3P CIRCUIT BREAKER IN EXISTING DISTRIBUTION PANEL 'A-DP3151' WITH 3#5/0+4#BOND-2".

POWER LAYOUT - ANNEX LEVEL 1  
 1/8"=1'-0"



POWER LAYOUT - ANNEX LEVEL 2  
 1/8"=1'-0"

**PHASING OF WORK:**  
 ALL WORK DETAILED ON THIS DRAWING SHALL FALL UNDER SCOPE OF WORK DEFINED AS PHASE 1 UNLESS OTHERWISE NOTED ON THE PLAN.

IMPERIAL SCALE DRAWING  
 FIRST FLOOR ELEV. 00.00m

NO.	Issued / revised	DATE
1	Issued for Review	15 Jan 2014
2	Issued for Schematic Design	05 Feb 2014
3	Issued for Design Development	11 Apr 2014
4	Issued for Tender Review	13 June 2014
5	Issued for Tender	11 July 2014

PROFESSIONAL ENGINEER  
 A. A. McDONALD  
 6604  
 E.C. O'Neill, Steven S. Assoco's Limited  
 Consulting Engineers  
 1100 SHEPPARD AVENUE EAST, SUITE 200  
 SCARBOROUGH, ONTARIO M1S 1T6  
 TEL: (416) 291-1111 FAX: (416) 291-1112  
 WWW.ECSA.CA

Luc Bouliane Architect Inc + David J Agro Architect Inc + Michael Grunsky Architect Inc  
 1259 Dundas Street West, Toronto, M6J 1X6 Tel: 416 300 0656  
**CANADIAN MUSEUM OF IMMIGRATION AT PIER 21**

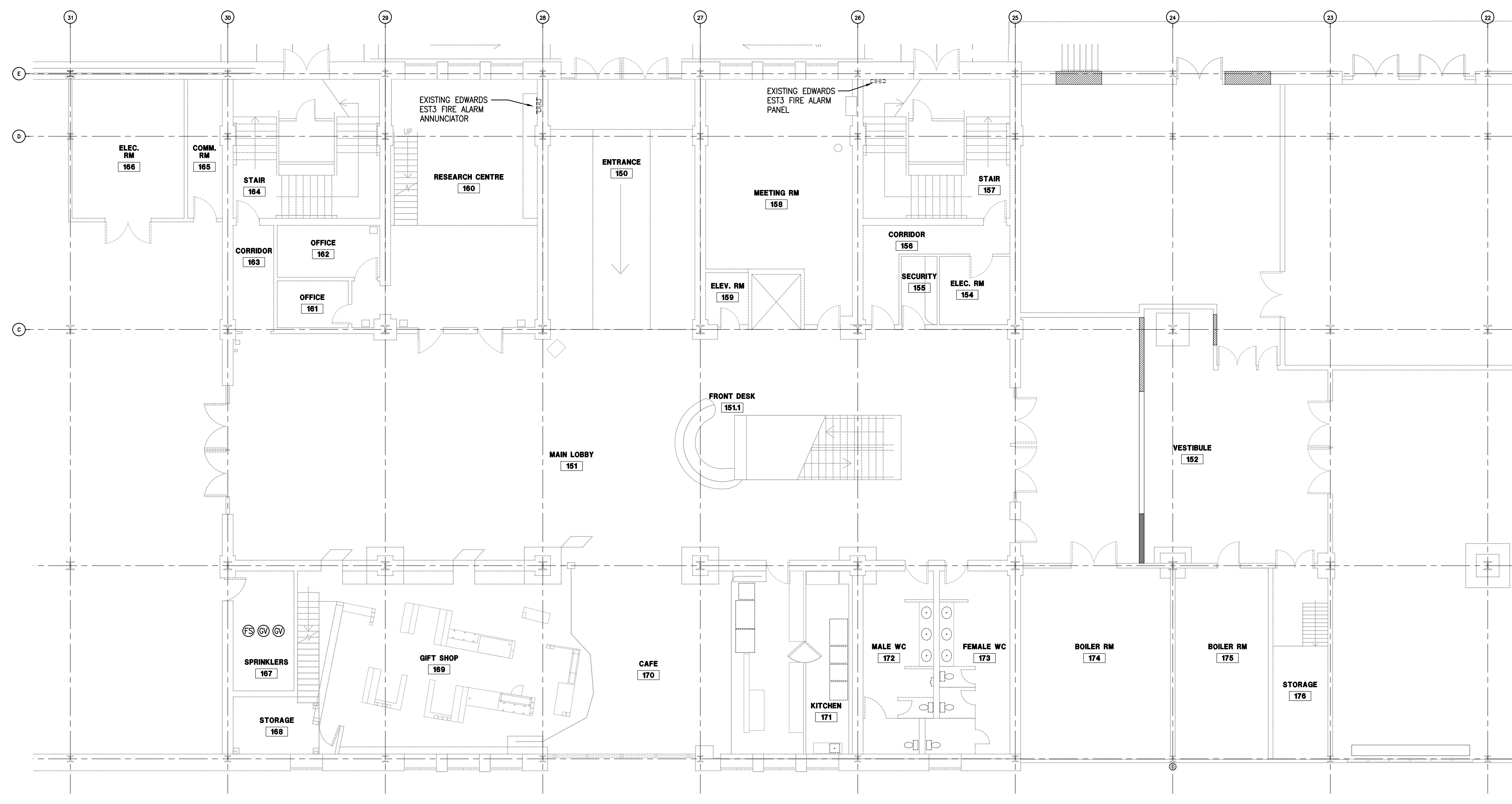
project no: 13-005  
 scale: AS NOTED  
 drawn by: RUT  
 reviewed by: RUT  
 date: Jan. 15/2014

PIER 21  
 POWER DEMOLITION & POWER ANNEX

Drawing A112881.E112 - Power Demolition and Power Layout 2014-01-17, at time 3:26:42 PM



PHASING OF WORK:  
 ALL WORK DETAILED ON THIS DRAWING SHALL FALL UNDER SCOPE OF WORK DEFINED AS PHASE 1 UNLESS OTHERWISE NOTED ON THE PLAN.



SYSTEMS LAYOUT - PARTIAL LEVEL 1  
 1/8"=1'-0"

IMPERIAL SCALE DRAWING  
 FIRST FLOOR ELEV. 00.00m

NO.	Issued / revised	DATE
1	Issued for Review	15 Jan 2014
2	Issued for Schematic Design	05 Feb 2014
3	Issued for Design Development	11 April 2014
4	Issued for Tender Review	13 June 2014
5	Issued for Tender	11 July 2014

PROFESSIONAL ENGINEER  
 A.A. McDONALD  
 6604  
 F.C. O'Neill, Steven S. Asacco's Limited  
 Consulting Engineers  
 11100 SHEPPARD AVENUE EAST, SUITE 100  
 SCARBOROUGH, ONTARIO M1S 1T6  
 TEL: (416) 291-1111 FAX: (416) 291-1112  
 WWW.ONSA.COM

Luc Bouliane Architect Inc + David J Agro Architect Inc + Michael Grunsky Architect Inc  
 1259 Dundas Street West, Toronto, M6J 1X6 Tel: 416 300 0656

CANADIAN MUSEUM OF IMMIGRATION AT PIER 21

project no: 13-005  
 scale: AS NOTED  
 drawn by: RJT  
 reviewed by: RJT  
 date: Jan. 15/2014

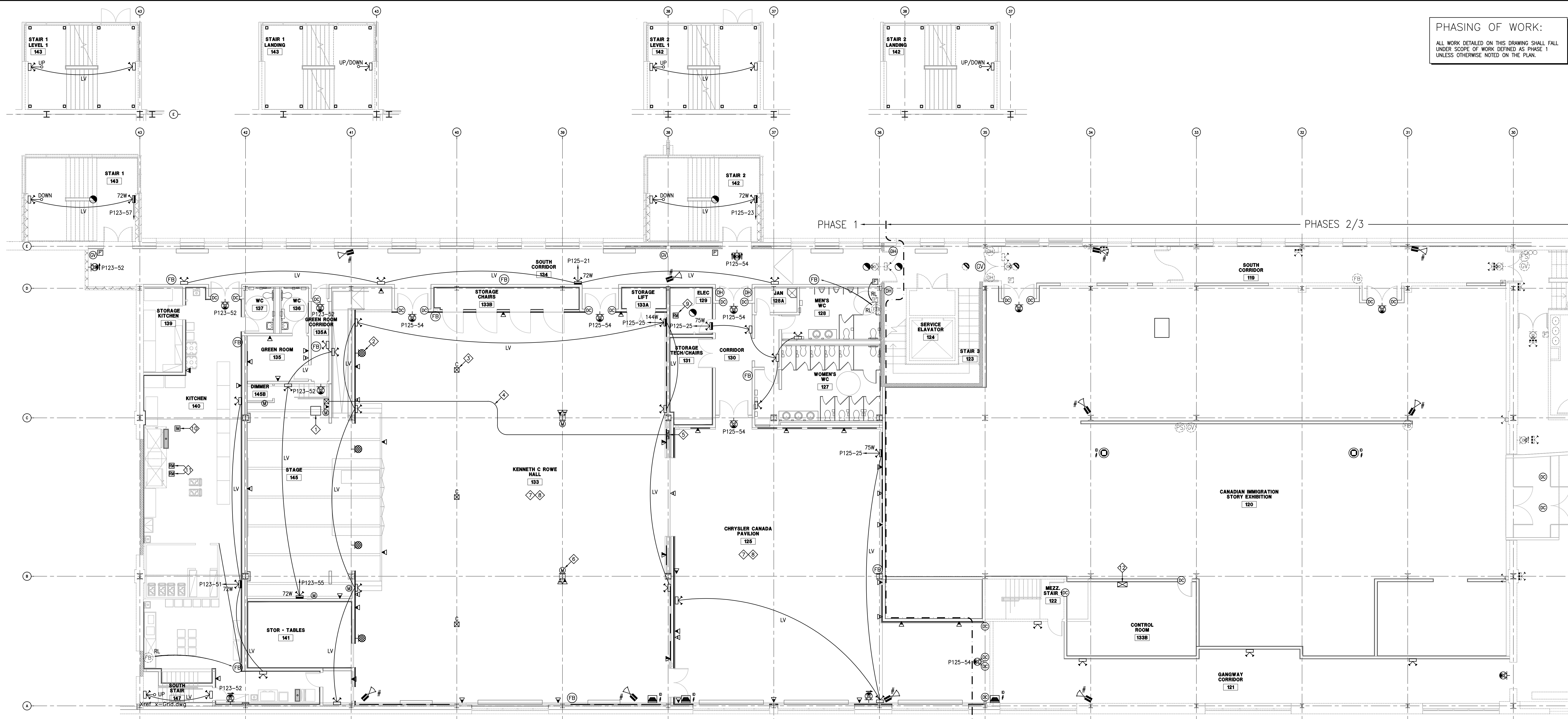
PIER 21  
 SYSTEMS  
 LEVEL 1

E113

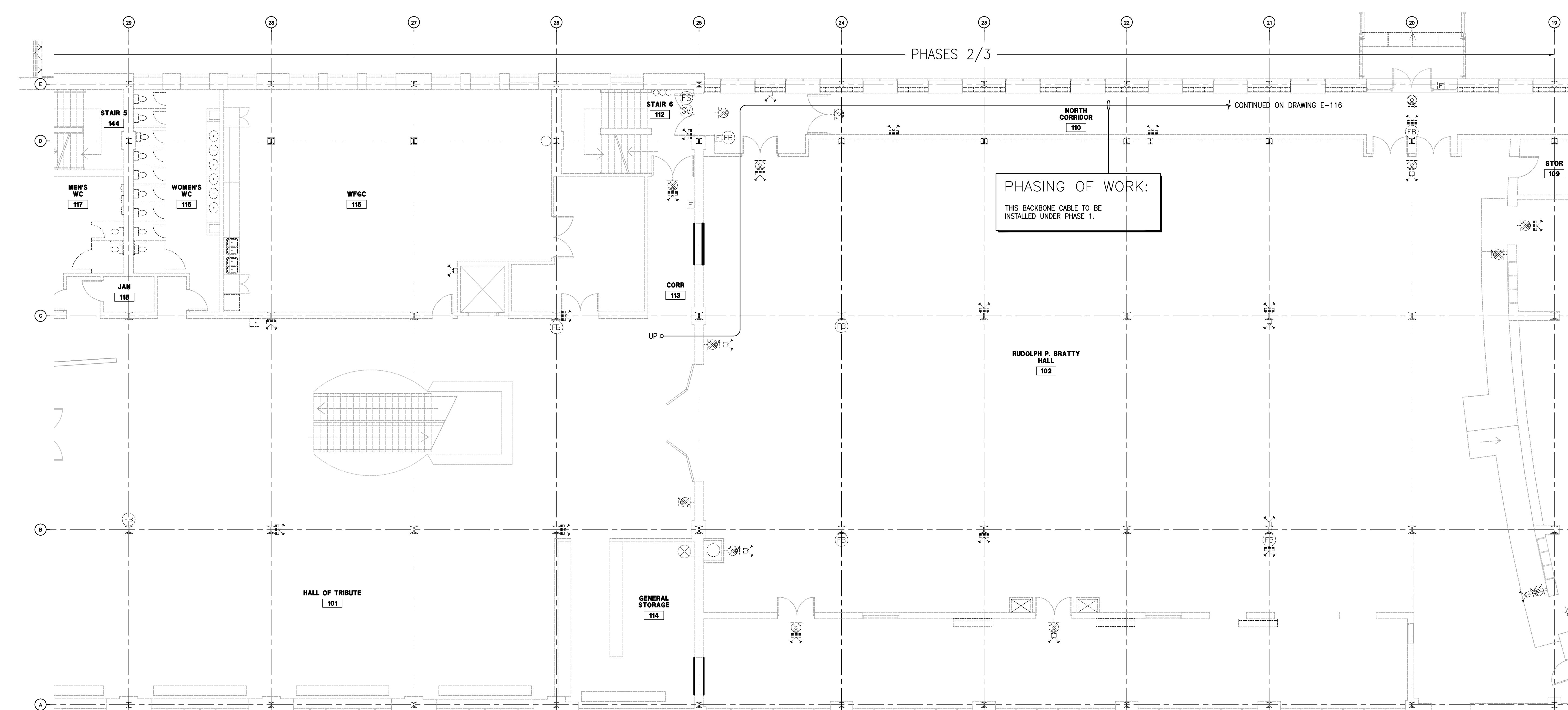
Drawing A1 (1288) (ELEC) (DWG) 1:12 - Systems Level 1.dwg auto plotted, 2014-01-17, at time 12:27:19 PM



**PHASING OF WORK:**  
 ALL WORK DETAILED ON THIS DRAWING SHALL FALL UNDER SCOPE OF WORK DEFINED AS PHASE 1 UNLESS OTHERWISE NOTED ON THE PLAN.



SYSTEMS LAYOUT - LEVEL 2 SOUTH  
 1/8"=1'-0"



SYSTEMS LAYOUT - LEVEL 2 NORTH  
 1/8"=1'-0"

**LEVEL 2 SYSTEMS NOTES:**

INDICATED BY THE  $\diamond$  SYMBOL ON THE DRAWINGS. (I.E.  $\diamond$  INDICATES NOTE 1)

NOTE 1: EXISTING SOUND SYSTEM RACK RELOCATED FROM FORMER STAGE NEAR GRID LINE 33. COORDINATE EXACT LOCATION ON SITE WITH OWNER (RELOCATION ONLY IN PHASE 2).

NOTE 2: EXISTING SOUND SYSTEM SPEAKER RELOCATED FROM FORMER KENNETH C ROWE HALL NEAR GRID LINE 33 (TYPICAL FOR 4). MOUNT SPEAKER 13'-0" A.F.F. (RELOCATION ONLY IN PHASE 2).

NOTE 3: CONNECTION FOR DATA PROJECTOR (TYPICAL FOR 3). REFER TO DETAIL ON DRAWING E-605.

NOTE 4: EXISTING SOUND SYSTEM SNAKE CABLE RELOCATED FROM FORMER KENNETH C ROWE HALL. INSTALL IN 1-1/2" CONDUIT. INSTALLATION OF CONDUIT AND ENCLOSURE ONLY SHALL BE IN PHASE 1.

NOTE 5: AUDIOVISUAL EQUIPMENT AT THIS LOCATION TO INCLUDE:  
 - ONE ENCLOSURE FOR XLR CONNECTORS FLUSH-MOUNTED 18" A.F.F. EQUAL TO WIEGMANN CAT. No. WA181806FM. COMPLETE WITH CAT. No. NP1818 BACK PANEL AND CAT. No. WAJCDPK SWING-OUT PANEL KIT. INSTALL SWING-OUT PANEL BEFORE INSTALLING ENCLOSURE IN WALL.  
 - ONE ENCLOSURE FOR XLR CONNECTORS AND RCA CONNECTORS FLUSH-MOUNTED 18" A.F.F. EQUAL TO WIEGMANN CAT. No. WA181806FM. COMPLETE WITH CAT. No. NP1818 BACK PANEL AND CAT. No. WAJCDPK SWING-OUT PANEL KIT. INSTALL SWING-OUT PANEL BEFORE INSTALLING ENCLOSURE IN WALL.  
 - THREE 2-1/2" DEEP SINGLE GANG BOXES FOR HDMI TRANSMITTERS FLUSH-MOUNTED 12" A.F.F.  
 - ONE 2-1/8" DEEP 4-11/16" SQUARE BOX FOR REMOTE AUDIO CONTROLLER FLUSH-MOUNTED 48" A.F.F. REFER TO DRAWING E-605 FOR DETAILS.

NOTE 6: MICROPHONE OUTLET MOUNTED 12" A.F.F. (TYPICAL FOR 6).

NOTE 7: IN ROOMS 125 AND 133, VOICE AND DATA OUTLETS SHALL BE MOUNTED 12" A.F.F.

NOTE 8: IN ROOMS 125 AND 133, EMERGENCY LIGHTING UNITS AND FIRE ALARM BELLS SHALL BE MOUNTED 13'-0" A.F.F.

NOTE 9: ADDRESSABLE RELAY MODULE FOR SHUNT TRIP BREAKER IN PANEL "9P-DP1201" FOR KITCHEN EQUIPMENT ITEM #20.

NOTE 10: ADDRESSABLE INPUT MODULE FOR KITCHEN HOOD FIRE SUPPRESSION (PHASE 2).

NOTE 11: ADDRESSABLE RELAY MODULES FOR SHUNT TRIP BREAKERS IN PANEL "P123" FOR KITCHEN EQUIPMENT ITEM #16 AND ITEM #18.

NOTE 12: DOOR CONTROL POWER SUPPLY IN ACCESSIBLE CEILING SPACE, PROVIDED BY OWNER. (PHASE 2)

**GENERAL NOTES:**  
 REFER TO ENLARGED REFLECTED CEILING PLAN A1.3.1 FOR PAINTING OF EXPOSED CONDUIT AND HANGERS.  
 HANGERS SHALL BE CONNECTED TO STRUCTURAL STEEL. REFER TO ENLARGED REFLECTED CEILING PLAN A1.3.1 FOR DETAILS.

IMPERIAL SCALE DRAWING  
 FIRST FLOOR ELEV. 00.00m

NO.	Issued / revised	DATE
1	Issued for Review	15 Jan 2014
2	Issued for Schematic	05 Feb 2014
3	Issued for Design Development	11 April 2014
4	Issued for Tender	13 June 2014
5	Issued for Tender	11 July 2014

PROFESSIONAL ENGINEER  
**Alan Macdonald**  
 6604  
 REG. NO. 10000  
 ENGINEER  
 E.C. O'Neill, Steven S. Assoco's Limited  
 Consulting Engineers  
 1100 SHEPPARD AVENUE EAST, SUITE 100  
 SCARBOROUGH, ONTARIO M1S 1T6  
 TEL: (416) 291-1111  
 WWW.ASSOCO.COM

**onsa**

Luc Bouliane Architect Inc + David J Agro Architect Inc + Michael Grunsky Architect Inc  
 1259 Dundas Street West, Toronto, M6J 1X6 Tel: 416 300 0656

**CANADIAN MUSEUM OF IMMIGRATION AT PIER 21**

project no: 13-005  
 scale: AS NOTED  
 drawn by: RUT  
 reviewed by: RUT  
 date: Jan. 15/2014

PIER 21  
 SYSTEMS  
 LEVEL 2

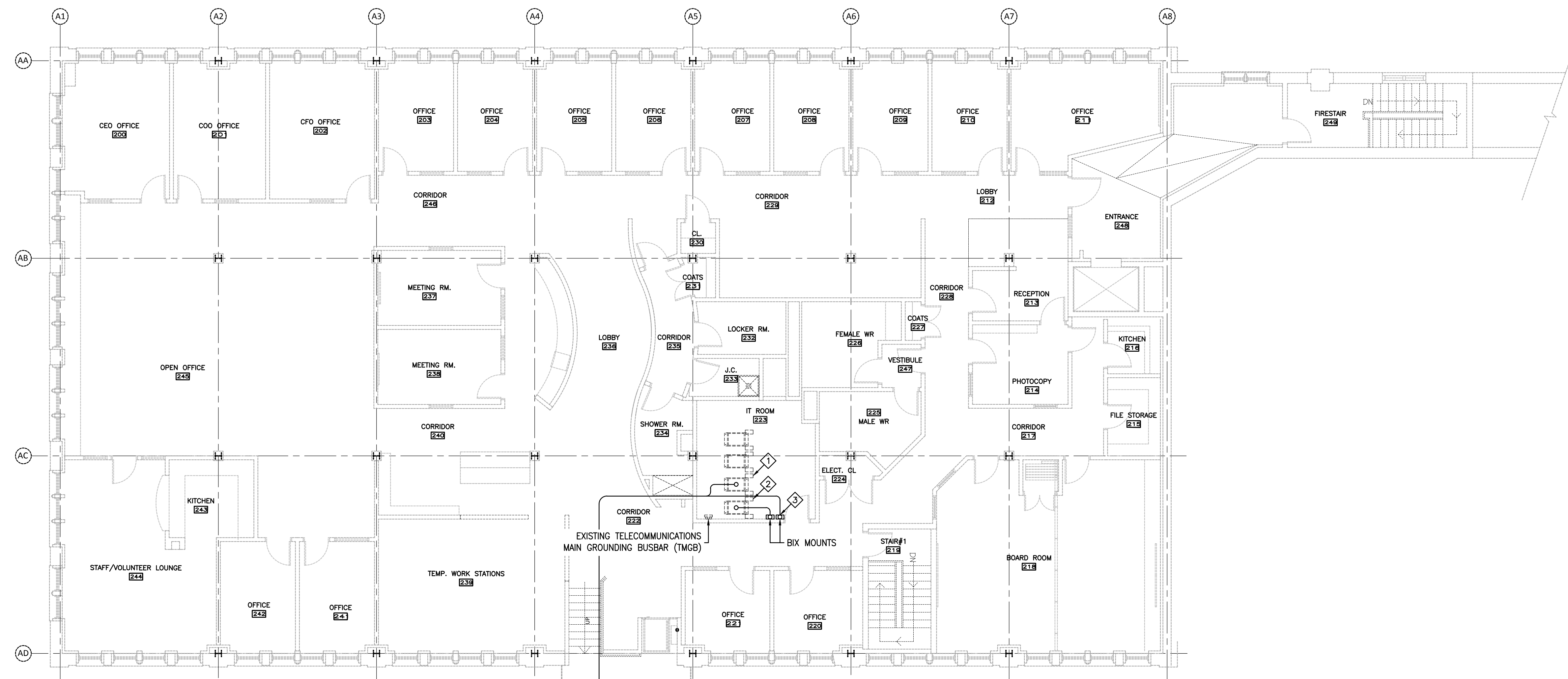
E114

Drawing No. 130891-01-01-01-17, at Rev. 1/27/14 PH









**ANNEX SYSTEMS NOTES:**

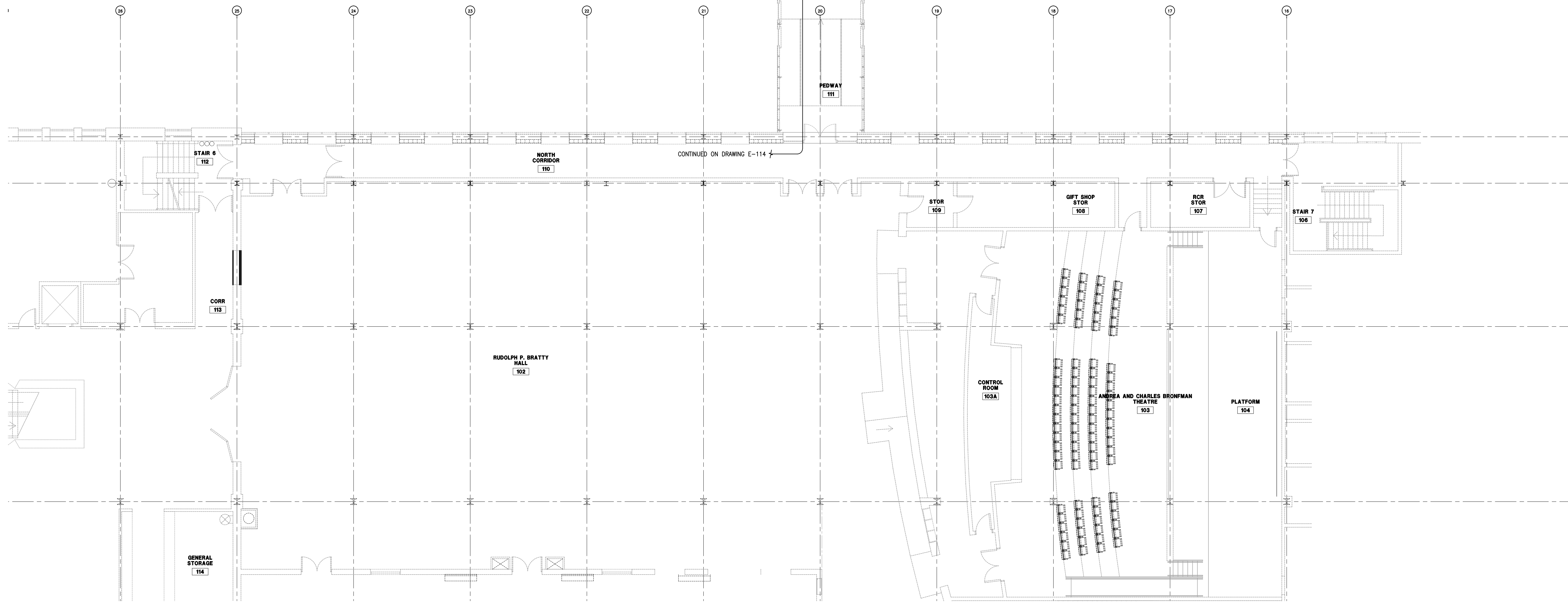
INDICATED BY THE  $\diamond$  SYMBOL ON THE DRAWINGS. (I.E.  $\diamond$  INDICATES NOTE 1)

**NOTE 1:** TERMINATE NEW 12-STRAND FIBRE OPTIC DATA BACKBONE CABLE ON EXISTING FIBRE PATCH PANEL. PROVIDE:  
 - ONE FIBRE ADAPTER PANEL WITH SIX DUPLEX SC CONNECTORS, PANDUIT CAT. No. FAP6WAGDSCZ.  
 - SIX 6' DUPLEX FIBRE OPTIC PATCH CORDS, PANDUIT CAT. No. FXD3-3M1Y.  
 - TWELVE PATCH CORD LABELS, PANDUIT CAT. No. S100X220YAJ.

**NOTE 2:** TERMINATE NEW 50-PAIR COPPER VOICE BACKBONE CABLE ON NEW 24-PORT COPPER PATCH PANEL. PROVIDE:  
 - ONE 24-PORT CATEGORY 5e PATCH PANEL, PANDUIT CAT. No. DP24SEB8TGY.  
 - TWENTY-FOUR PATCH PANEL LABELS, PANDUIT CAT. No. C378X30RJJ.  
 - TWENTY-FOUR 5' CATEGORY 5e PATCH CORDS, PANDUIT CAT. No. UTPCH3YS.  
 - FORTY-EIGHT PATCH CORD LABELS, PANDUIT CAT. No. S100X150YAJ.

**NOTE 3:** TERMINATE NEW 50-PAIR COPPER VOICE BACKBONE CABLE ON NEW BIX FIELD. COORDINATE EXACT LOCATION ON SITE. PROVIDE:  
 - ONE 50-PAIR BIX MOUNT, PANDUIT CAT. No. PXMT50.  
 - TWO 25-PAIR IDC TERMINAL STRIPS, PANDUIT CAT. No. PXDR.

**NOTE 4:** FIBRE OPTIC DATA BACKBONE CABLE AND COPPER VOICE BACKBONE CABLE AND ELECTRONIC ACCESS CONTROL CABLES IN 3" EMT TO NEW COMMUNICATIONS ROOM 207. INSTALL EMT ON EXISTING SUPPORTS FOR GLYCOL PIPING AND PROVIDE ADDITIONAL SUPPORTS AS REQUIRED. PROVIDE 24"x24"x4" TYPE "C" PULL BOXES SUCH THAT THERE IS NOT MORE THAN 100' OF CONDUIT AND NOT MORE THAN TWO 90 DEGREE BENDS BETWEEN PULL BOXES. PROVIDE:  
 - ONE (1) FIBRE OPTIC DATA BACKBONE CABLE, PANDUIT CAT. No. F00R12Y.  
 - ONE (1) COPPER VOICE BACKBONE CABLE, PANDUIT CAT. No. PUC3050WH-A.  
 - TWO (2) CATEGORY 6A CABLES FOR ELECTRONIC ACCESS CONTROL.

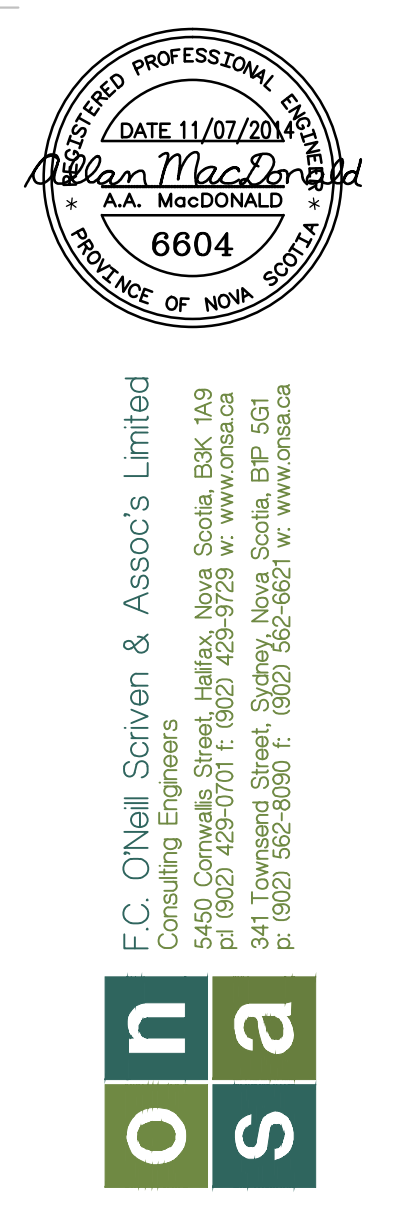


SYSTEMS LAYOUT - LEVEL 2 SOUTH  
 1/8" = 1'-0"

**PHASING OF WORK:**  
 ALL WORK DETAILED ON THIS DRAWING SHALL FALL UNDER SCOPE OF WORK DEFINED AS PHASE 1 UNLESS OTHERWISE NOTED ON THE PLAN.

IMPERIAL SCALE DRAWING  
 FIRST FLOOR ELEV. 00.00m

NO.	Issued / revised	DATE
1	Issued for Review	15 Jan 2014
2	Issued for Schematic Design	05 Feb 2014
3	Issued for Design Development	11 Apr 2014
4	Issued for Tender Review	13 June 2014
5	Issued for Tender	11 July 2014



Luc Bouliane Architect Inc + David J Agro Architect Inc + Michael Grunsky Architect Inc  
 1259 Dundas Street West, Toronto, M6J 1X6 Tel: 416 300 0656

CANADIAN MUSEUM OF IMMIGRATION AT PIER 21

project no: 13-005  
 scale: AS NOTED  
 drawn by: RJT  
 reviewed by: RJT  
 date: Jan. 15/2014

PIER 21  
 SYSTEMS  
 LEVEL 2 ANNEX

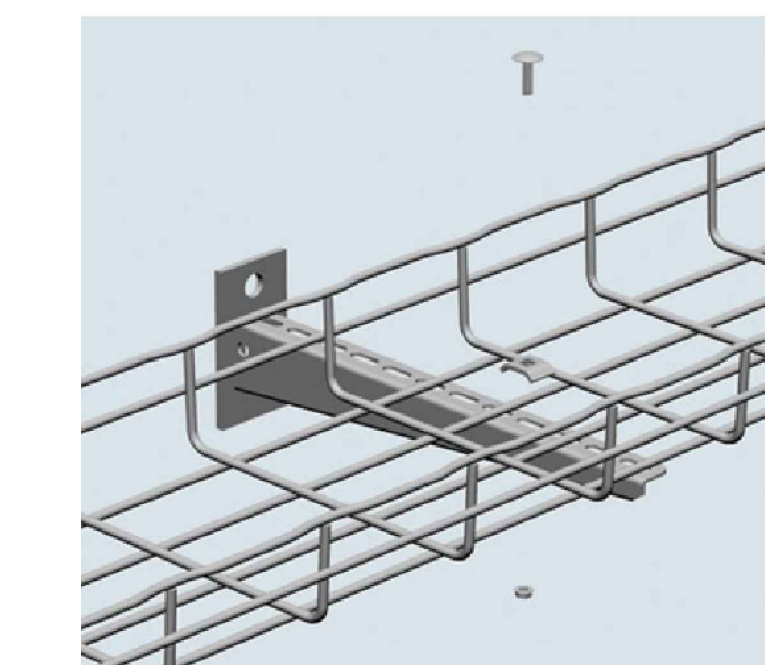
E116

Drawing No. 130891-0102 (DWG) E116 - Systems Annex Level 2.dwg was plotted 2014-01-17, at time 1:22:19 PM

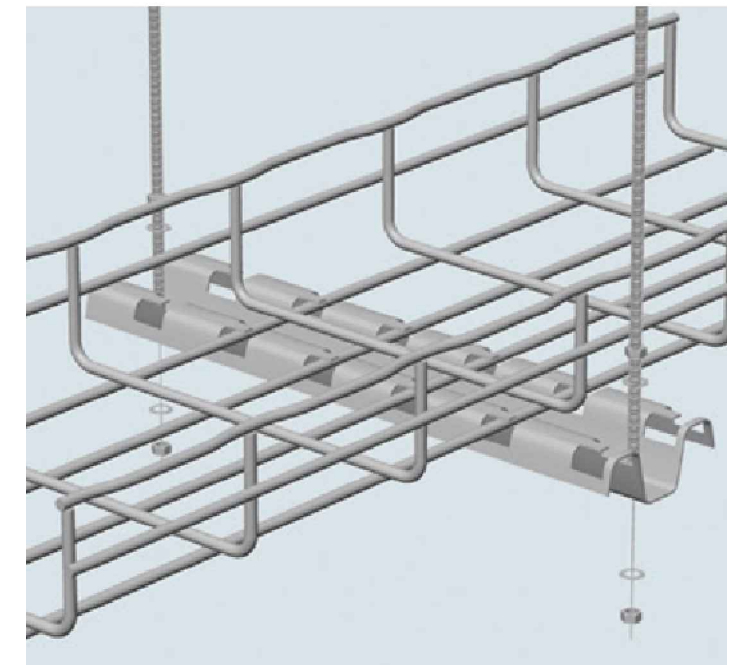




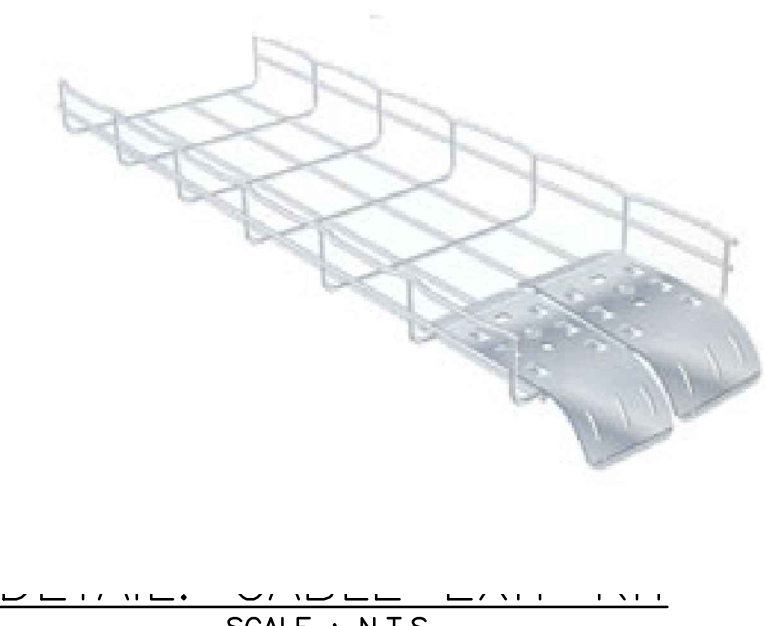




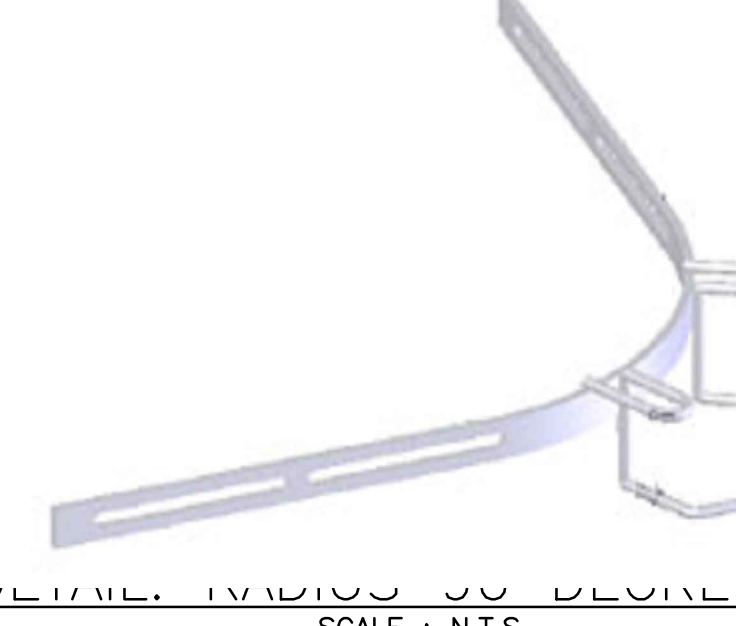
DETAIL: CRP WALL MOUNT  
SCALE: N.T.S.



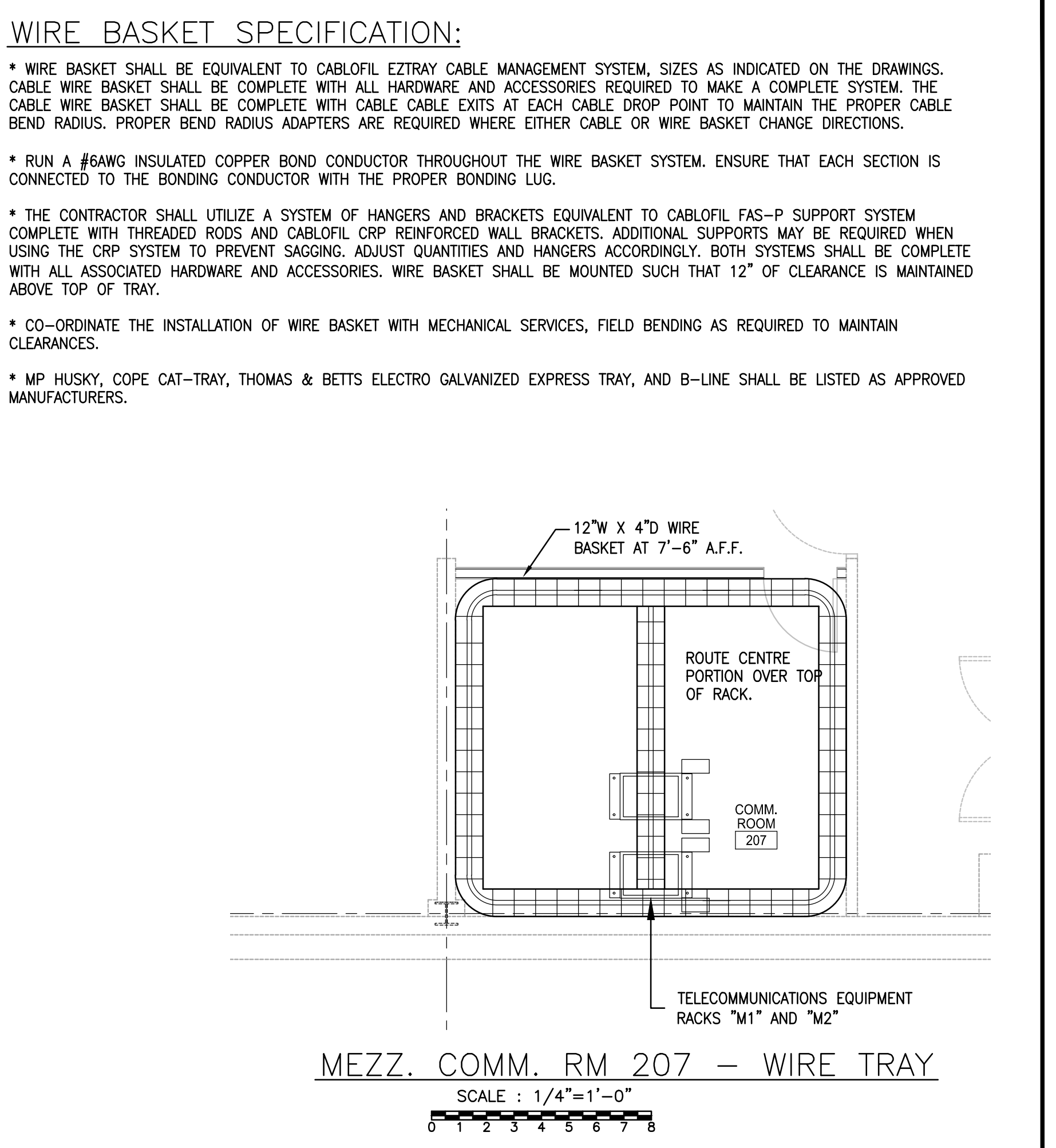
DETAIL: FAS-P PROFILE MOUNT  
SCALE: N.T.S.



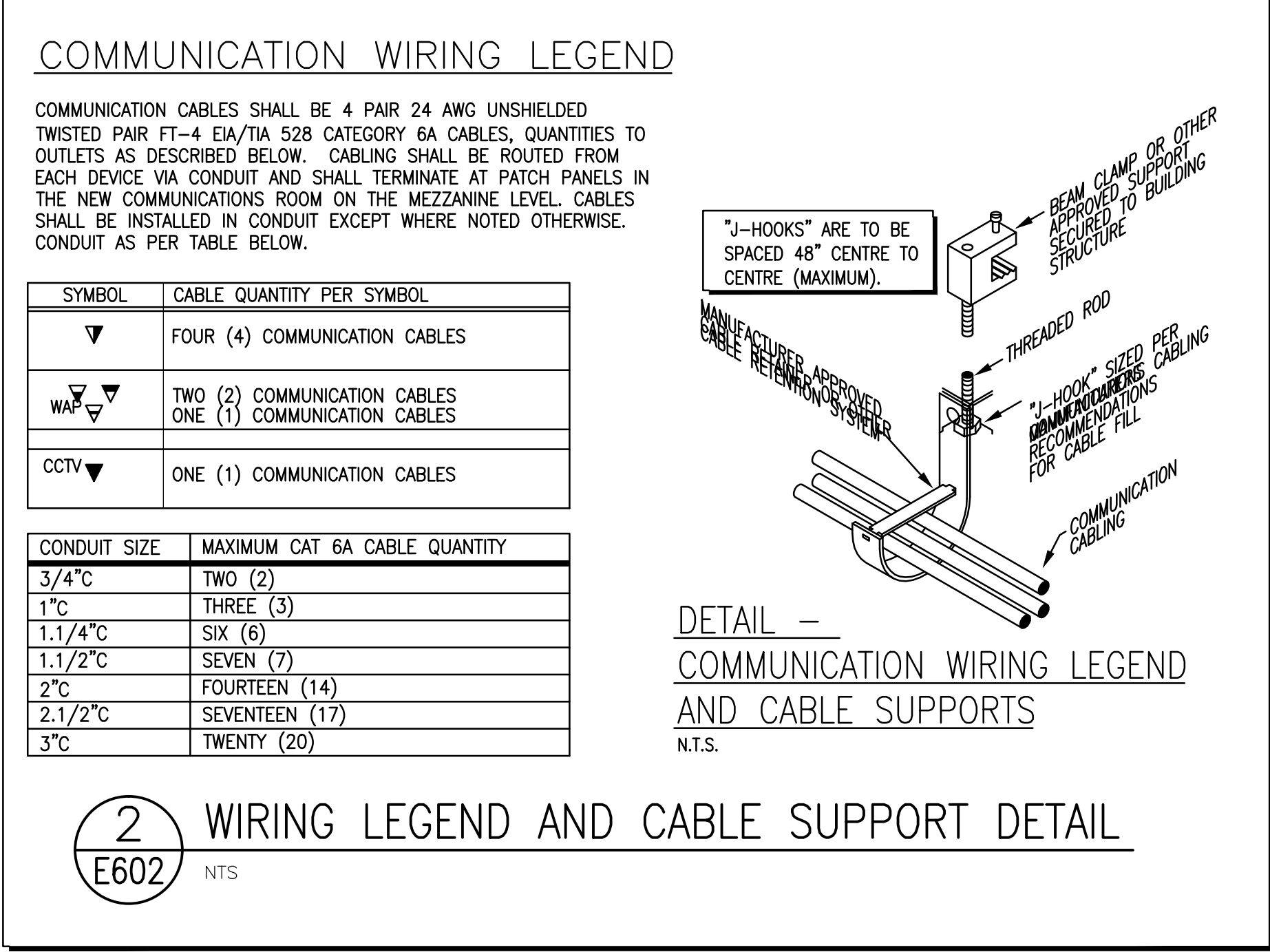
SCALE: N.T.S.



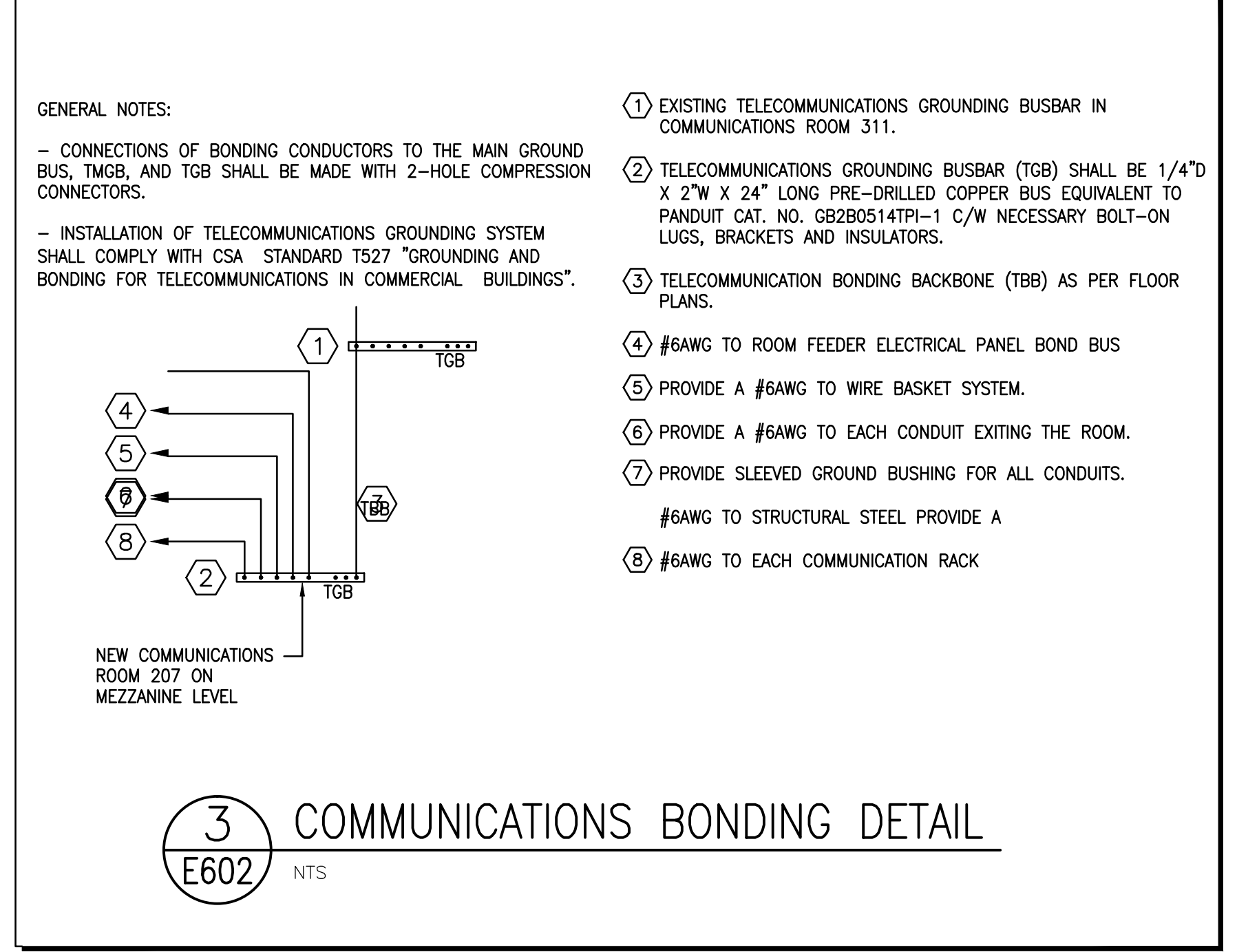
SCALE: N.T.S.



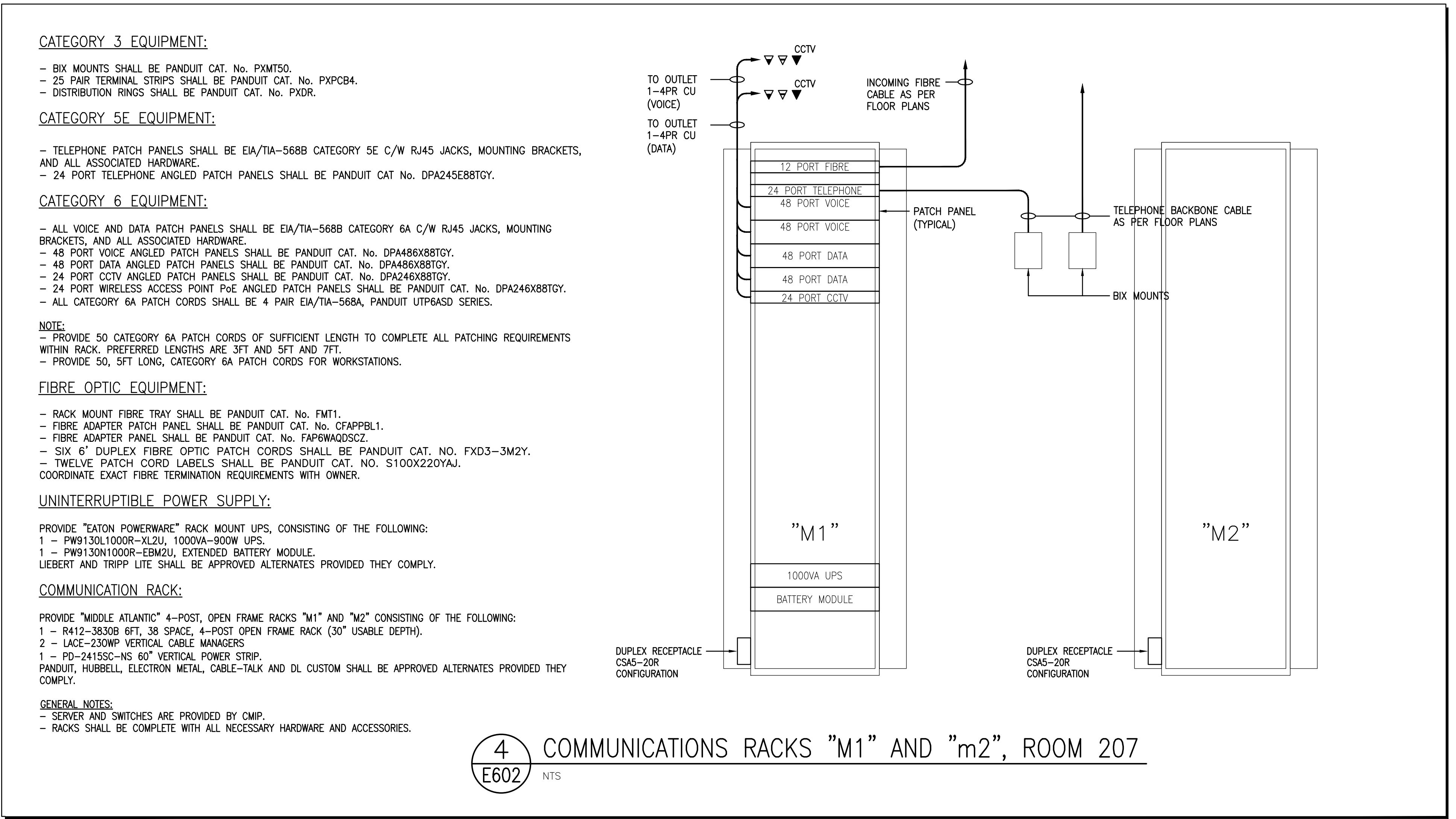
1 WIRE BASKET TRAY DETAILS AND SPECIFICATIONS  
E602 NTS



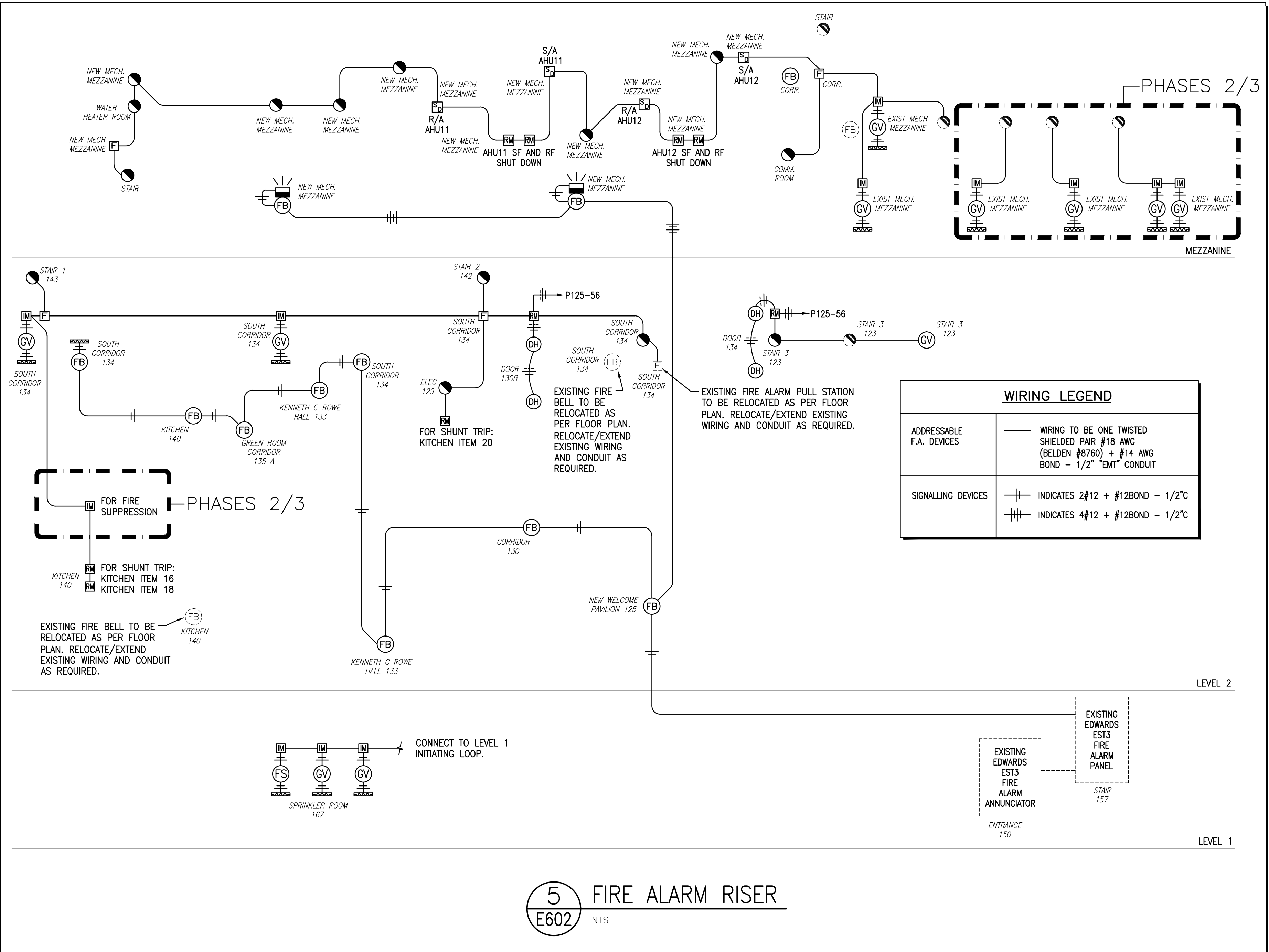
2 WIRING LEGEND AND CABLE SUPPORT DETAIL  
E602 NTS



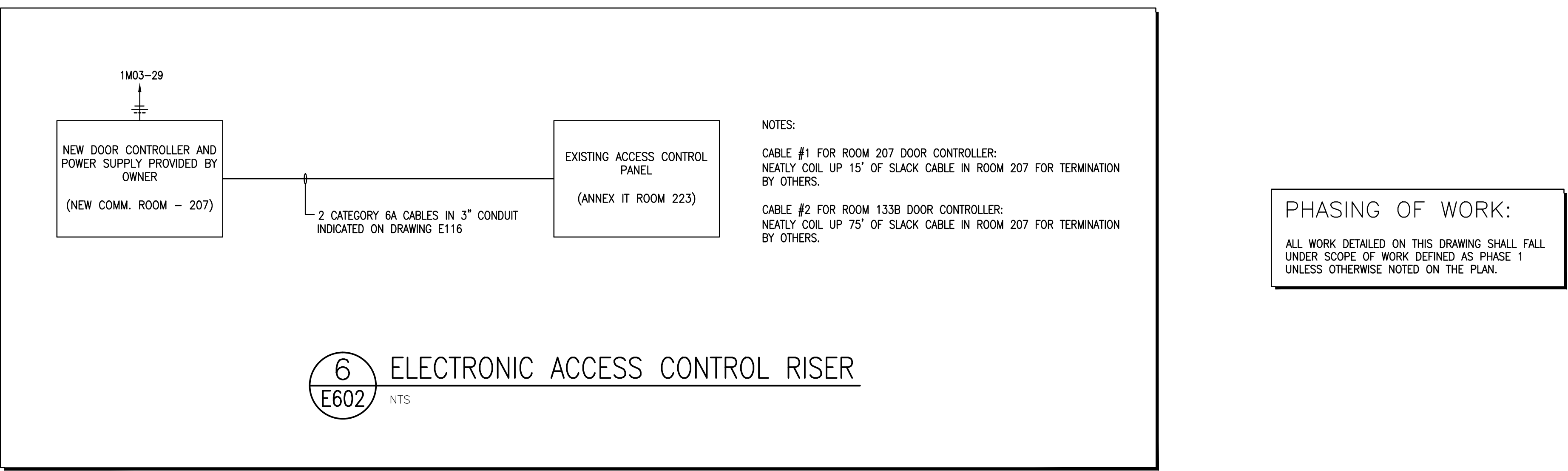
3 COMMUNICATIONS BONDING DETAIL  
E602 NTS



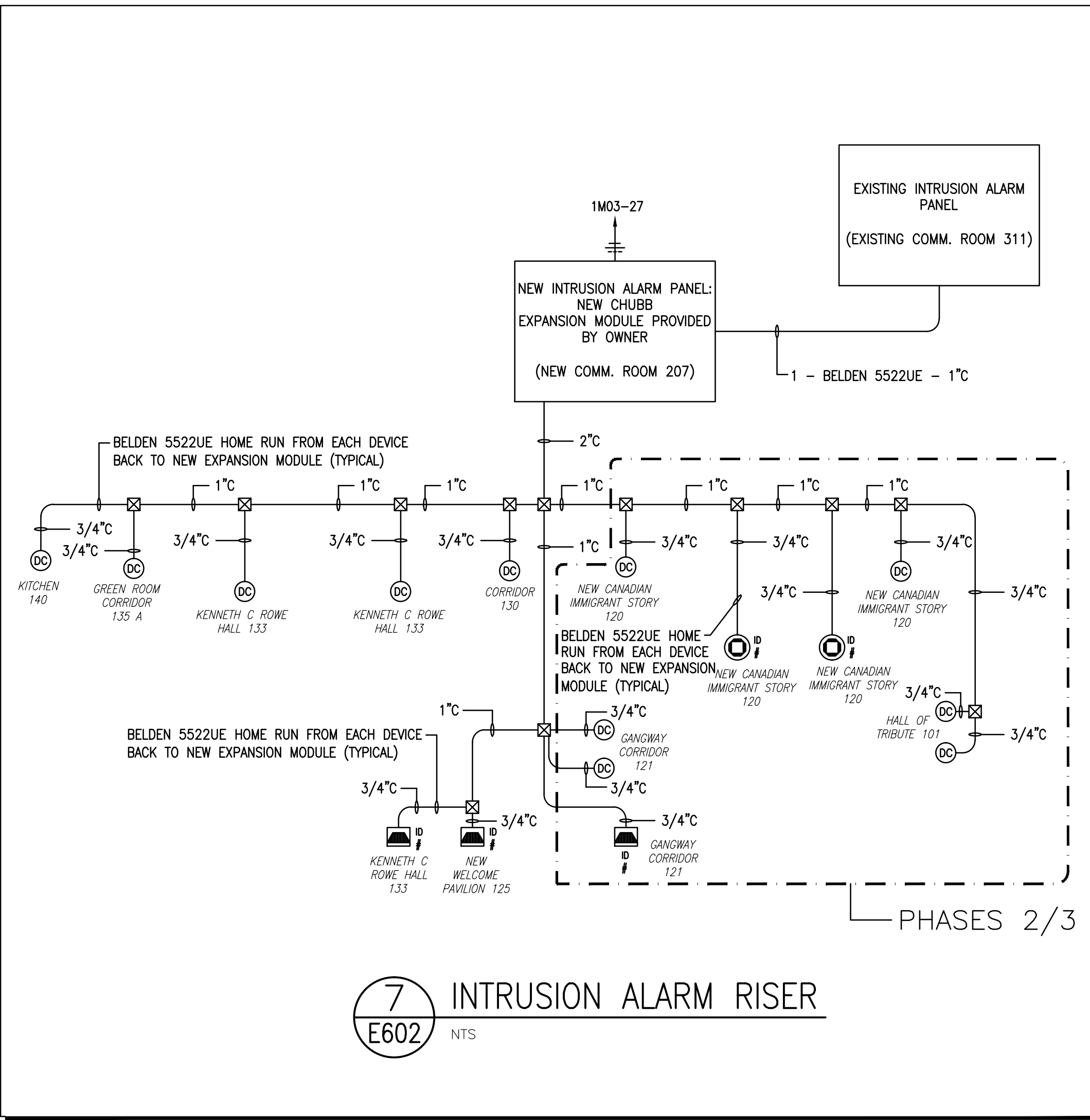
4 COMMUNICATIONS RACKS "M1" AND "M2", ROOM 207  
E602 NTS



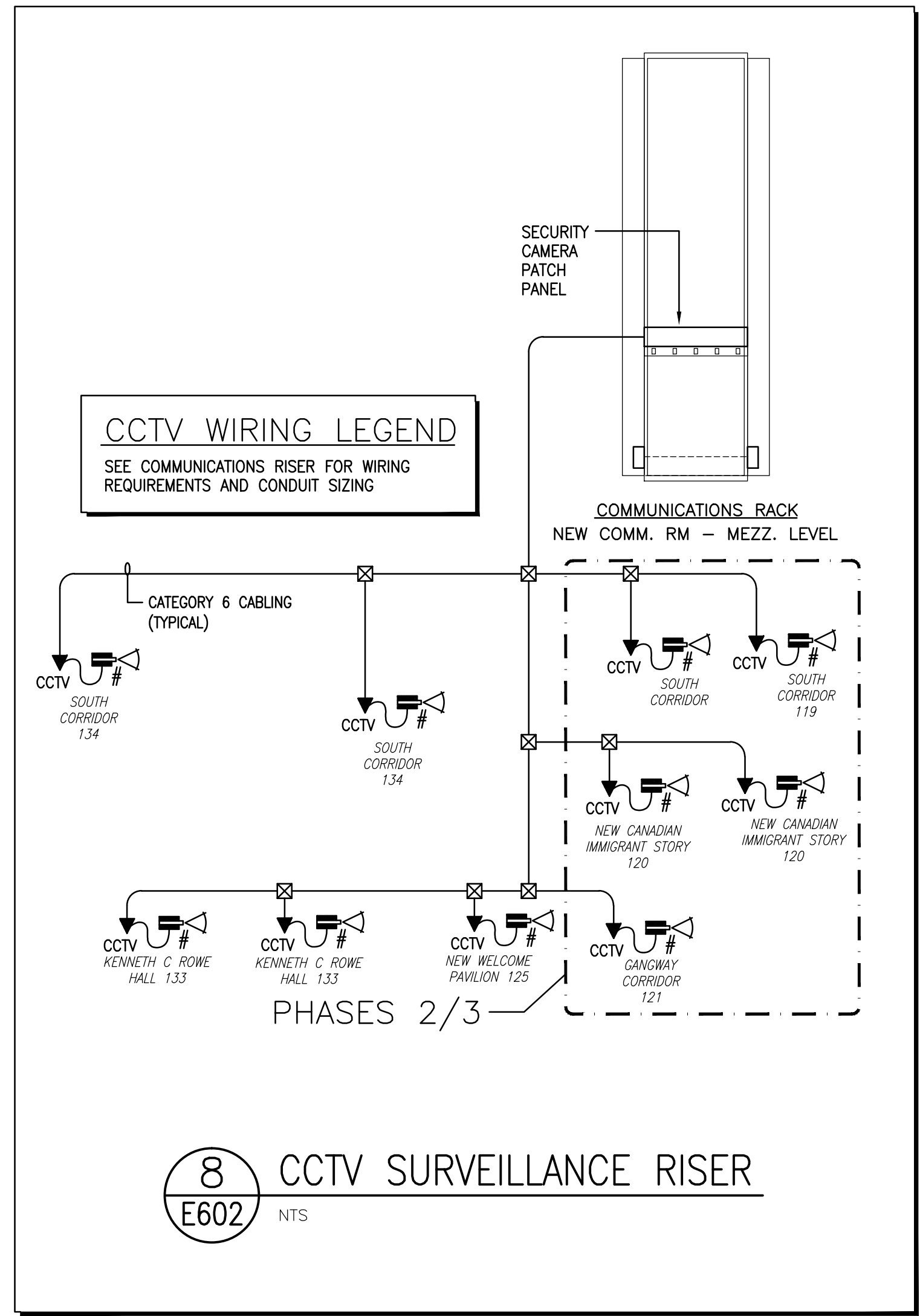
5 FIRE ALARM RISER  
E602 NTS



6 ELECTRONIC ACCESS CONTROL RISER  
E602 NTS



7 INTRUSION ALARM RISER  
E602 NTS



8 CCTV SURVEILLANCE RISER  
E602 NTS

IMPERIAL SCALE DRAWING  
FIRST FLOOR ELEV. 00.00m

No.	Issued / revised	Date
1	Issued for Review	15 Jan 2014
2	Issued for Schematic Design	05 Feb 2014
3	Issued for Design Development	11 Apr 2014
4	Issued for Tender Review	13 June 2014
5	Issued for Tender	11 July 2014

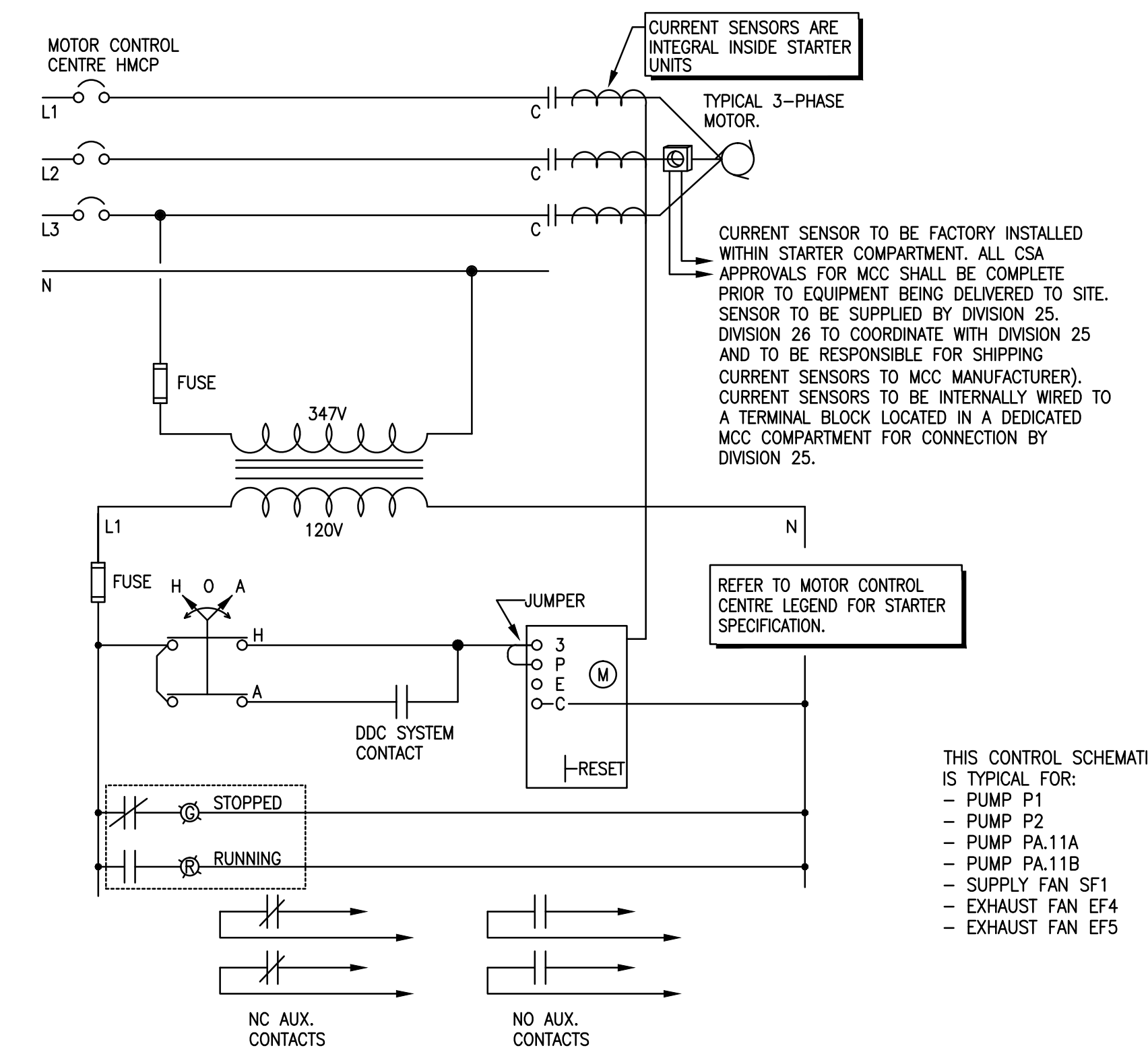
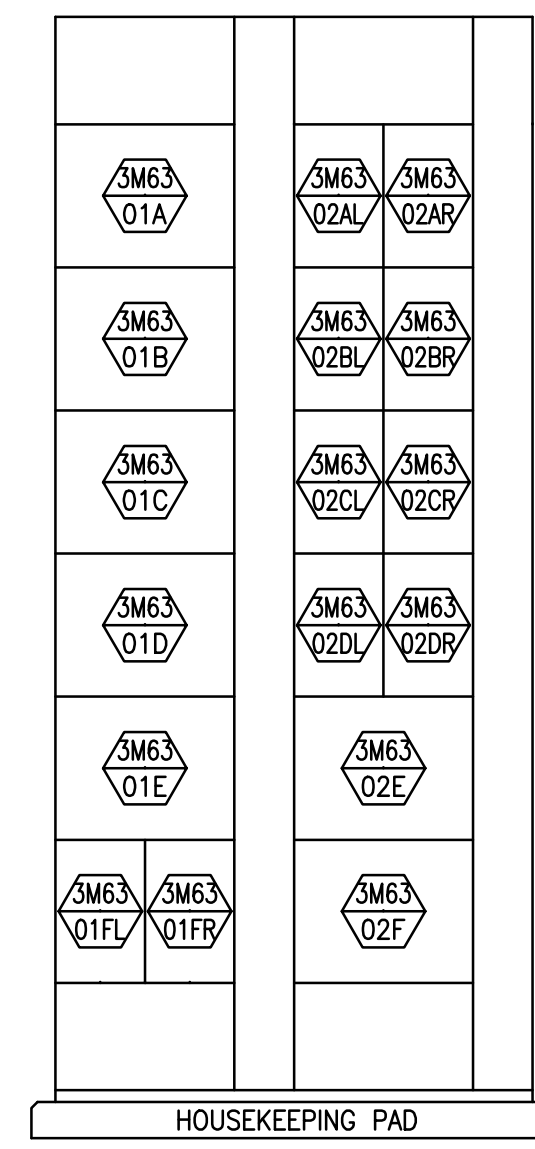


Luc Bouliane Architect Inc + David J Agro Architect Inc + Michael Grunsky Architect Inc  
1259 Dundas Street West, Toronto, M6J 1X6 Tel: 416 300 0656  
CANADIAN MUSEUM OF IMMIGRATION AT PIER 21

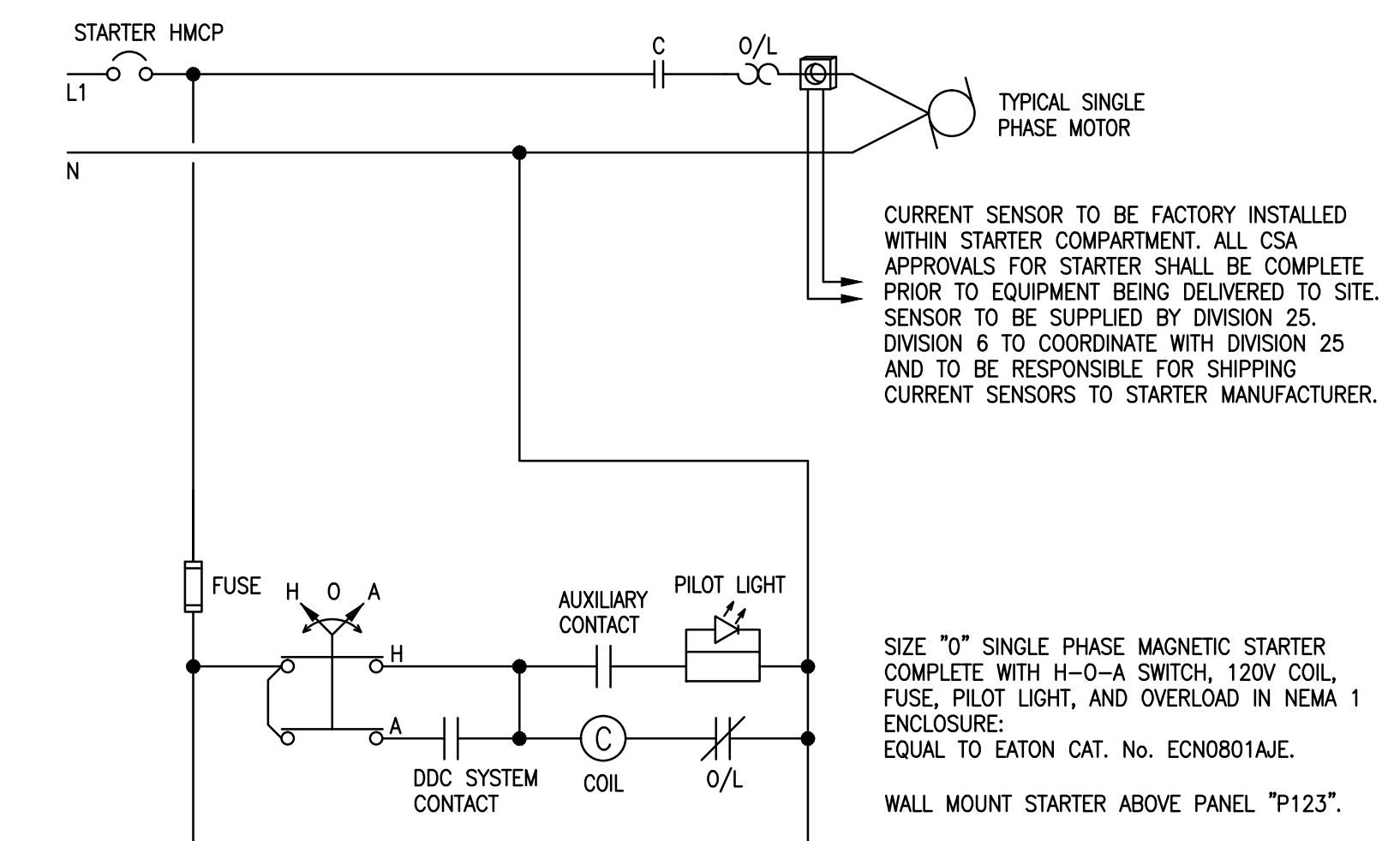
project no: 13-006  
scale: AS NOTED  
drawn by: RUT  
reviewed by: JUT  
date: Jan. 15/2014



2" - MCC NUMBER "01" - MCC SECTION "A" - STARTER COMPARTMENT		MOTOR CONTROL CENTRE LEGEND					
No.	UNIT	STARTER	BREAKER	ACCESSORIES	POWER FEED	REMARKS	MOTOR
	INCOMING LUGS	-	-	-	SEE SINGLE LINE DIAGRAM	-	
01A	PUMP P1	W200 - SIZE 1	3A-3P HMCP	347/120V CONTROL TRANSFORMER, PILOT LIGHT, H-O-A SWITCH, 2 N.O. AND 2 N.C. AUX. CONTACTS	4#12+1#2BOND-1/2"	-	1.5
01B	PUMP P2	W200 - SIZE 1	3A-3P HMCP	347/120V CONTROL TRANSFORMER, PILOT LIGHT, H-O-A SWITCH, 2 N.O. AND 2 N.C. AUX. CONTACTS	4#12+1#2BOND-1/2"	-	1.5
01C	SUPPLY FAN SF1	W200 - SIZE 1	3A-3P HMCP	347/120V CONTROL TRANSFORMER, PILOT LIGHT, H-O-A SWITCH, 2 N.O. AND 2 N.C. AUX. CONTACTS	4#12+1#2BOND-1/2"	-	1.7
01D	EXHAUST FAN EF4	W200 - SIZE 1	3A-3P HMCP	347/120V CONTROL TRANSFORMER, PILOT LIGHT, H-O-A SWITCH, 2 N.O. AND 2 N.C. AUX. CONTACTS	4#12+1#2BOND-1/2"	-	1.7
01E	PUMP P3	-	15A-3P FD	-	3#12+1#2BOND-1/2"	-	3
01F	PUMP P4	-	15A-3P FD	-	3#12+1#2BOND-1/2"	-	3
01G	PUMP P5	-	15A-3P FD	-	3#12+1#2BOND-1/2"	-	3
01H	PUMP P6	-	15A-3P FD	-	3#12+1#2BOND-1/2"	-	3
01I	AHU11 SUPPLY FAN	-	50A-3P FD	-	3#10+1#0BOND-1/2"	-	20
01J	AHU11 RETURN FAN	-	20A-3P FD	-	3#12+1#2BOND-1/2"	-	17.5
01K	AHU12 SUPPLY FAN	-	70A-3P FD	-	3#10+1#0BOND-1/2"	-	25
01L	AHU12 RETURN FAN	-	30A-3P FD	-	3#12+1#2BOND-1/2"	-	10
01M	AHU12 CONDENSER	-	125A-3P FD	-	3#3+1#6BOND-1.1/4"	-	4 x 15 6 x 1
01N	SPACE	-	-	-	-	-	-
01O	EXHAUST FAN EF5	W200 - SIZE 1	3A-3P HMCP	347/120V CONTROL TRANSFORMER, PILOT LIGHT, H-O-A SWITCH, 2 N.O. AND 2 N.C. AUX. CONTACTS	4#12+1#2BOND-1/2"	-	1.7
01P	SPACE	-	-	-	3#12+1#2BOND-1/2"	-	-

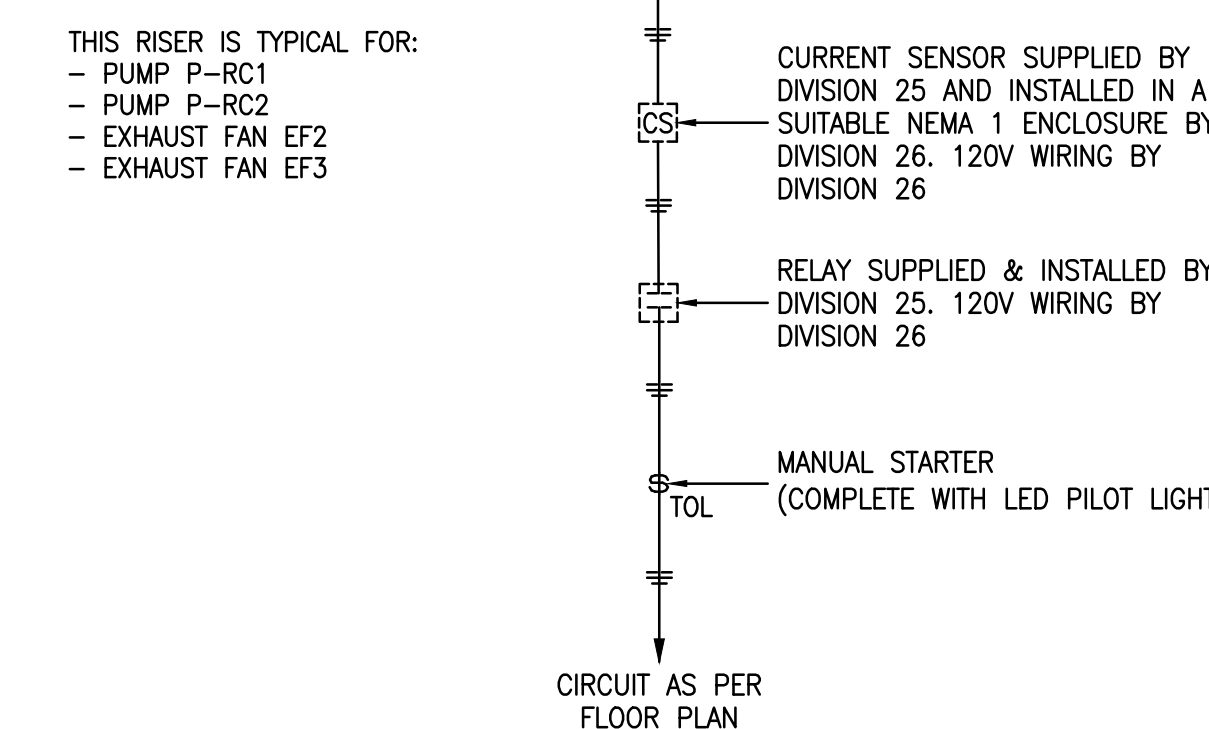


X E603 CONTROL SCHEMATIC: PUMPS AND FANS

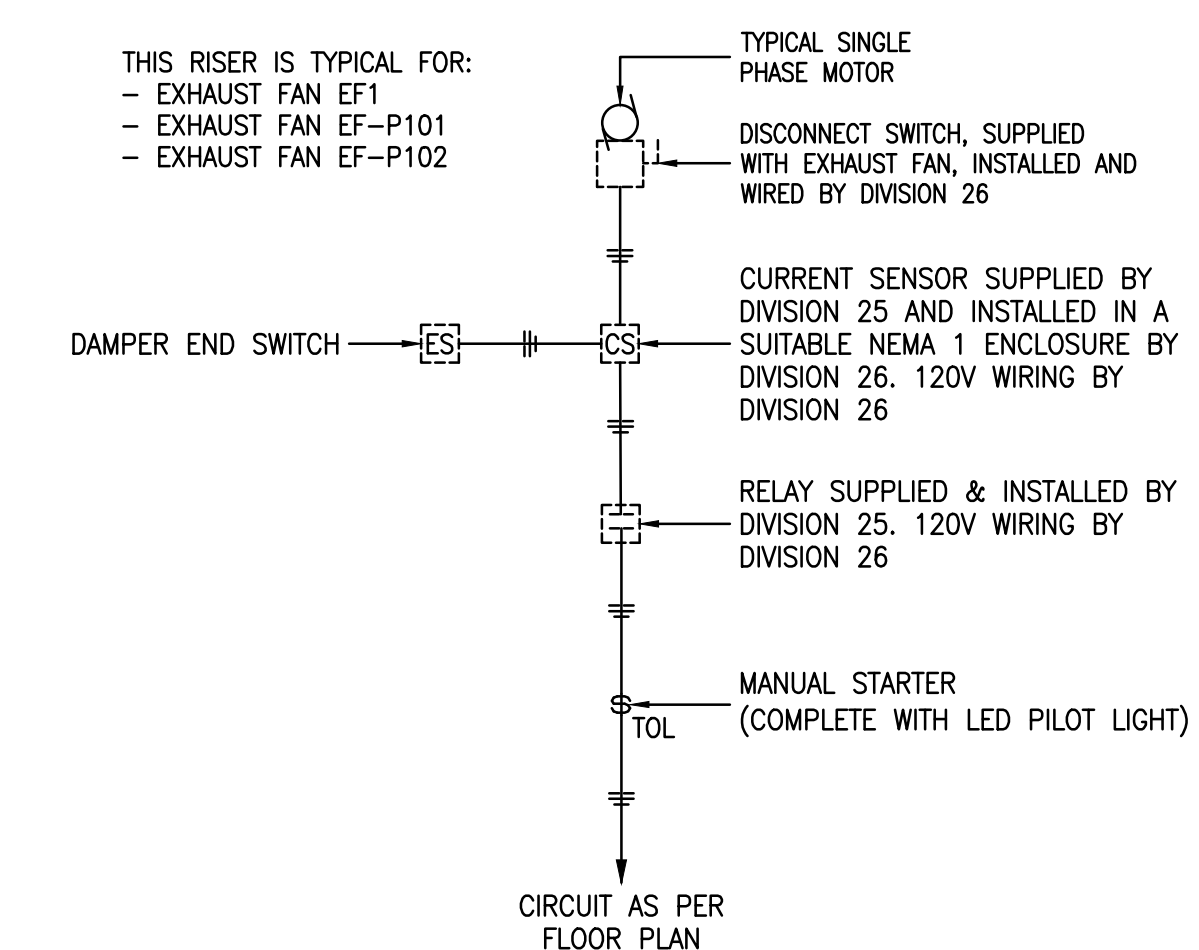


X E603 CONTROL SCHEMATIC: EXHAUST FAN EF6

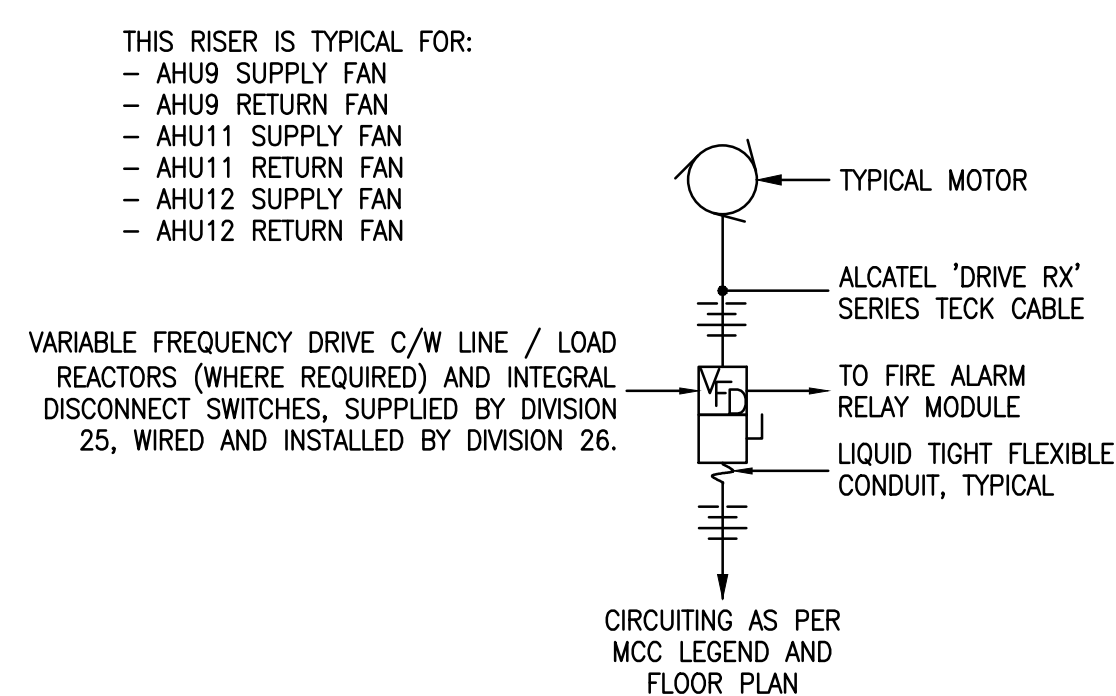
1 E603 "P-MCC3M63" LEGEND AND ELEVATION



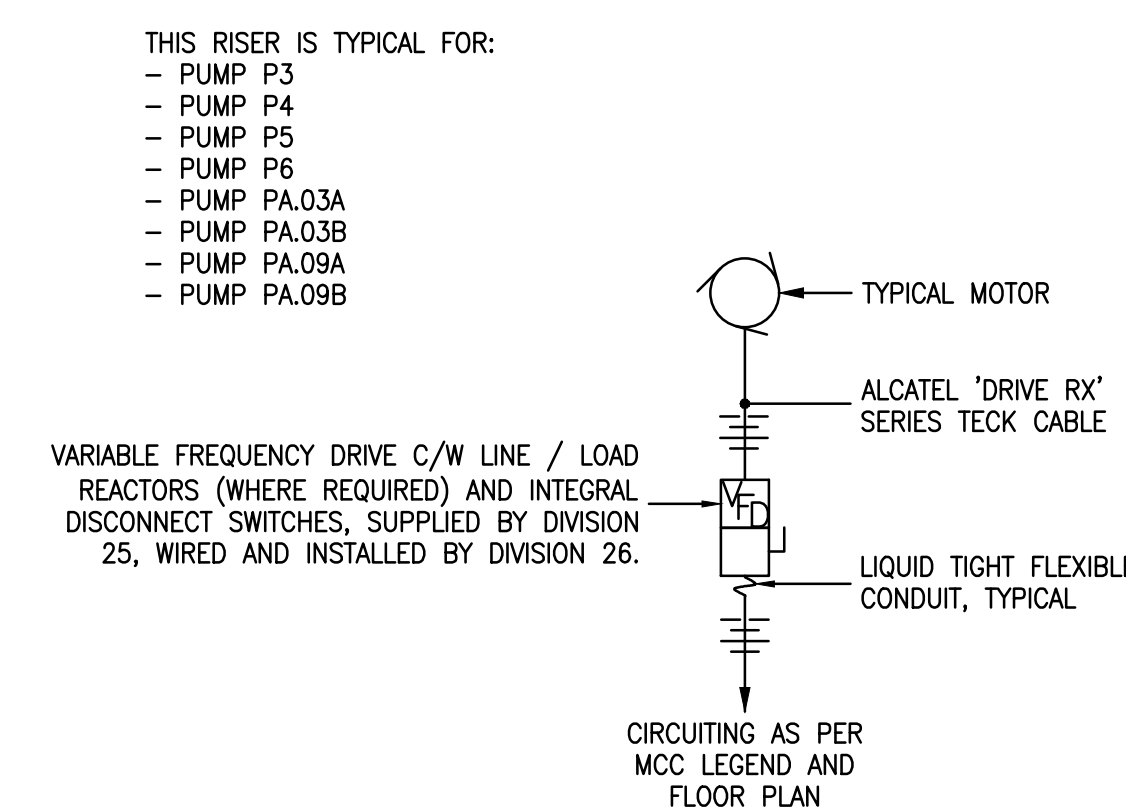
X E603 RISER: SINGLE PHASE PUMPS AND FANS



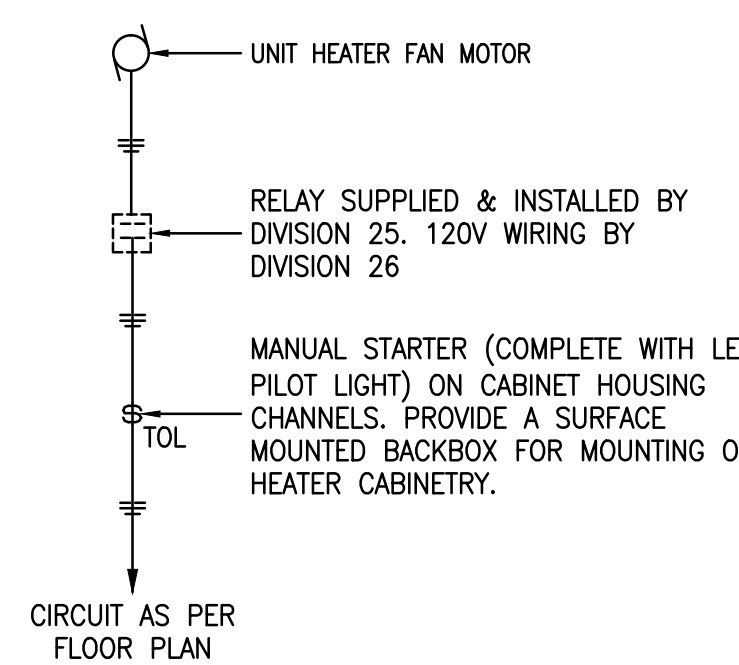
X E603 RISER: SINGLE PHASE FANS



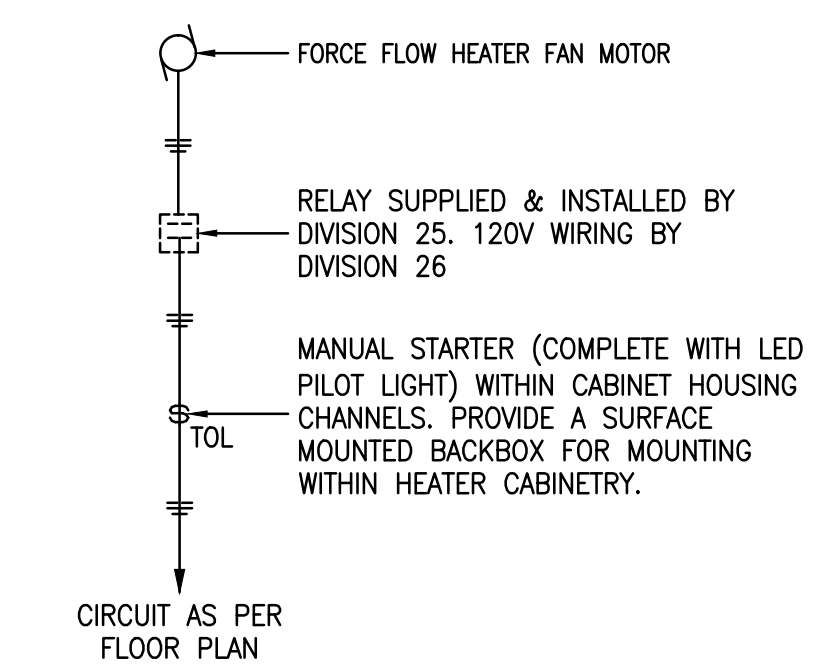
X E603 RISER: AIR HANDLING UNIT FANS



X E603 RISER: THREE PHASE PUMPS AND FANS



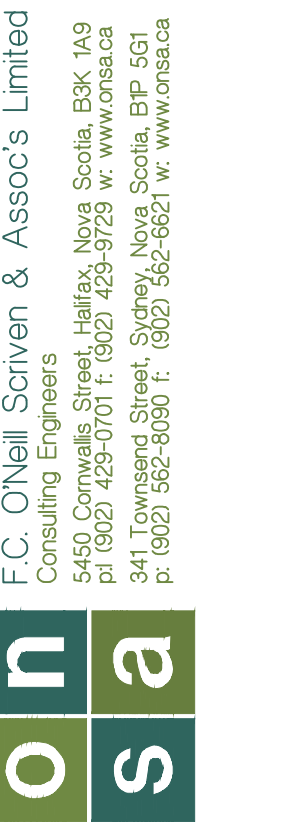
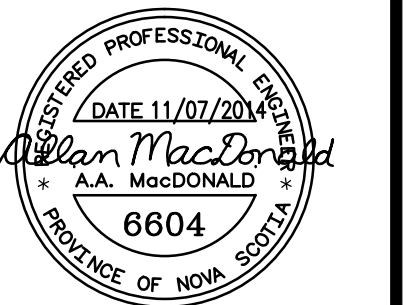
X E603 RISER: UNIT HEATER



X E603 RISER: FORCE FLOW HEATER

PHASING OF WORK:  
 ALL WORK DETAILED ON THIS DRAWING SHALL FALL UNDER SCOPE OF WORK DEFINED AS PHASE 1 UNLESS OTHERWISE NOTED ON THE PLAN.

IMPERIAL SCALE DRAWING  
 FIRST FLOOR ELEV. 00.00m



Luc Bouliane Architect Inc + David J Agro Architect Inc + Michael Grunsky Architect Inc  
 1259 Dundas Street West, Toronto, M6J 1X6 Tel: 416 300 0656

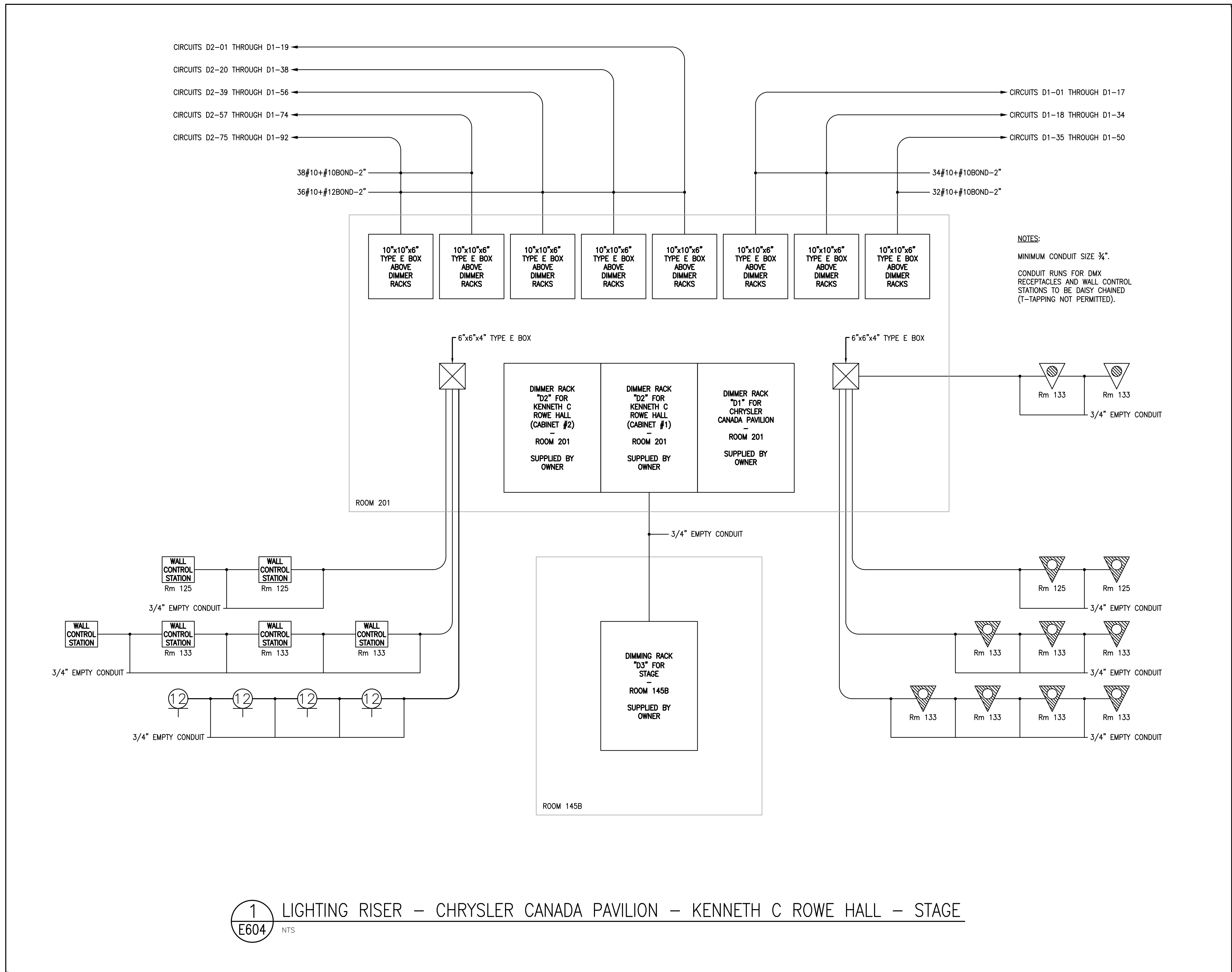
CANADIAN MUSEUM OF IMMIGRATION AT PIER 21

project no: 13-005  
 scale: AS NOTED  
 drawn by: AUT  
 reviewed by: AM  
 date: Jan. 15/2014

PIER 21  
 MCC LAYOUT AND  
 CONTROL SCHEMATICS

E603





- LUMINAIRE SCHEDULE:**
- TYPE 1: 2'x4', 3 LAMP, FLUORESCENT UNIT CHAIN HUNG TO 9'-0" A.F.F. ONE BALLAST SHALL OPERATE THE OUTER TWO LAMPS ON ONE SWITCH LEG, A SECOND BALLAST SHALL OPERATE THE CENTRE LAMP ON A SECOND SWITCH LEG. UNIT SHALL INCLUDE GASKETING BETWEEN THE LENS AND DOOR FRAME, DOOR FRAME AND FIXTURE HOUSING.  
 LAMP(S): 3 - F032/830XPS/ECCO  
 SPECIFIED UNIT(S):  
 - METALUX CAT. NO. 2M-RA-1332A125-120-TEB82-C2  
 - CFI CAT. NO. SLB2SRWB332-120-H1 WITH TWO GASKETS  
 - LITHONIA CAT. NO. 2M 332 RW A12125 MVOLT GEB10IS ABC CSA
- TYPE 2: 2 LAMP, STRIP FLUORESCENT UNIT C/W WIRE GUARD AND CHAIN HANGER SUSPENDED TO 9'-0" A.F.F.  
 LAMP(S): 2 - F032/830XPS/ECCO  
 SPECIFIED UNIT(S):  
 - METALUX CAT. NO. SSF-232-120V-EB81 WITH WG/SSF-4FT AND AYC-CHAIN/SET  
 - CFI CAT. NO. SB248-120-H WITH SB8G-48 AND EESHG  
 - LITHONIA CAT. NO. C 232 MVOLT GEB10IS CSA WITH WGLUN NST AND HC36
- TYPE 3: 4' LONG, 2 LAMP, FLUORESCENT, WALL MOUNTED TO 8'-0" A.F.F. OR ABOVE MIRROR.  
 LAMP(S): 2 - F032/830XPS/ECCO  
 SPECIFIED UNIT(S):  
 - METALUX CAT. NO. BEU-232-120-EB81  
 - CFI CAT. NO. LWB232-120-H  
 - LITHONIA CAT. NO. WP 232 MVOLT GEB10IS CSA
- TYPE 4: LED DECORATIVE WALL SCONCE WALL MOUNTED 6'-0" A.F.F.  
 SPECIFIED UNIT(S):  
 - TERON CAT. NO. TGR - L12.0 - 100-27V - LE350 - SM - 30K  
 - ECLIPSE CAT. NO. AP-FB-AL-3K-120-SGR-LDM  
 - XTC CAT. NO. WS-2236-16-LED12-BN-OP-30K
- TYPE 5: 4" LED MEDIUM BEAM DOWNLIGHT RECESSED IN ACOUSTIC TILE OR GYPSUM BOARD CEILING.  
 SPECIFIED UNIT(S):  
 - PORTFOLIO CAT. NO. LD4A090010TE-ERM4A09830-4LMOL  
 - SPECTRUM CAT. NO. R8704-2015W-30K-MD-DS101-H12-RD4-SGF  
 - GOTHAM CAT. NO. EVO 30/10 4AR 120 TRW
- TYPE 6: 4" LED MEDIUM BEAM DOWNLIGHT RECESSED IN ACOUSTIC TILE OR GYPSUM BOARD CEILING.  
 SPECIFIED UNIT(S):  
 - PORTFOLIO CAT. NO. LD4A130010TE-ERM4A13830-4LMOL  
 - SPECTRUM CAT. NO. R8704-2015W-30K-MD-DS101-H12-RD4-SGF  
 - GOTHAM CAT. NO. EVO 30/14 4AR 120 TRW
- TYPE 7: 4" LED MEDIUM BEAM DOWNLIGHT RECESSED IN ACOUSTIC TILE OR GYPSUM BOARD CEILING.  
 SPECIFIED UNIT(S):  
 - PORTFOLIO CAT. NO. LD4A180010TE-ERM4A18830-4LMOL  
 - SPECTRUM CAT. NO. R8704-2015W-30K-MD-DS101-H12-RD4-SGF  
 - GOTHAM CAT. NO. EVO 30/18 4AR 120 TRW
- TYPE 8: 1'x4', TWO LAMP FLUORESCENT UNIT CHAIN HUNG TO 8'-0" A.F.F.  
 LAMP(S): 2 - F032/830XPS/ECCO  
 SPECIFIED UNIT(S):  
 - METALUX CAT. NO. M-232A125-120-EB81  
 - CFI CAT. NO. SLB1SF5V332-120-S0  
 - LITHONIA CAT. NO. M232A12125120GEB-CSA
- TYPE 9: 6" LED MEDIUM BEAM CYLINDRICAL DOWNLIGHT SUSPENDED ON AIRCRAFT CABLE 12'-0" A.F.F.  
 SPECIFIED UNIT(S):  
 - PORTFOLIO CAT. NO. LCR6A200010TEB-ERM6A20930-6LMOL-LB0XP  
 - CALCULITE CAT. NO. C7L-20-C-B-30K-210V-M-CL-U-VB-C7-CP-B  
 - GOTHAM CAT. NO. EVO CYL 30/22 6AR 120 PM DBL
- TYPE 10: FLUORESCENT (4' LONG) TWO LAMP MEDIUM DUTY INDUSTRIAL FLUORESCENT FIXTURE WITH APERTURE REFLECTOR AND WIRE GUARD CHAIN HUNG TO 10'-0" A.F.F., OR SURFACE MOUNTED TO STRUCTURE TO CLEAR MECHANICAL EQUIPMENTS.  
 LAMP(S): 2 - F032/830XPS/ECCO  
 SPECIFIED UNIT(S):  
 - METALUX CAT. NO. DF-232-120-EB81 WITH WG/DF4FT-U  
 - CFI CAT. NO. FF248-120-H WITH EESGA  
 - LITHONIA CAT. NO. EGA 232 MVOLT GEB10IS CSA WITH WIRE GUARD --- CHECK WITH JEFF
- TYPE 11: 1'x4', TWO LAMP FLUORESCENT UNIT SURFACE CEILING MOUNTED.  
 LAMP(S): 2 - F032/830XPS/ECCO  
 SPECIFIED UNIT(S):  
 - METALUX CAT. NO. M-232A125-120-EB81  
 - CFI CAT. NO. SLB1SF5V232-120-H  
 - LITHONIA CAT. NO. M 232 A12125 MVOLT GEB10IS CSA
- TYPE 12: 6" CYLINDRICAL WALL BRACKET WALL MOUNTED 8'-0" A.F.F.  
 SPECIFIED UNIT(S):  
 - PORTFOLIO CAT. NO. LCR6A200-DSLT-MB-ERM6A20830-6LMOL-ELDLED-BDD10101 (QUANTITY OF 4)  
 - GOTHAM CAT. NO. EVO CYL 30/22 6AR 120 DMX ELDOLED WM DBL (QUANTITY OF 4)  
 - SPECTRUM CAT. NO. SPO0618UDLEDX1-7WMD-20WMD-30K-645X1-CY-GL-WM-MB, COMPLETE WITH REMOTE DMX DRIVER (QUANTITY OF 6)
- TYPE 13: 6" LED CYLINDRICAL WALL BRACKET WALL MOUNTED 8'-0" A.F.F.  
 LAMP(S): 1 - 12PAR30L/END/F36 3000 DIM 6/1  
 SPECIFIED UNIT(S):  
 - PORTFOLIO CAT. NO. LCR6A200DL3MB-ERM6A20930-6LMOL  
 - CALCULITE CAT. NO. C7L-20-C-B-30K-210V-M-CL-U-VB-C7-CW-B  
 - GOTHAM CAT. NO. EVO CYL 30/22 6AR 120 WM DBL
- TYPE 14: LED WALL BRACKET WITH BLUE LAMP AND MATTE BLACK FINISH WALL MOUNTED 8'-0" A.F.F.  
 SPECIFIED UNIT(S):  
 - SPECTRUM CAT. NO. W11LEDGV 14W 30K DD101 / BLJ1 CG1 / CP104 / MB  
 - CANLEY CAT. NO. 88-03-L-W-F-8.7W-G-15 (BLUE GLOBE)  
 - BARN LIGHT ELECTRIC CAT. NO. BLE-WWGG-PC-XXX\*\*Blue Glass Jor\*\*\*-LED-27K

IMPERIAL SCALE DRAWING  
FIRST FLOOR ELEV. 00.00m

13-005  
15 Jan 2014  
05 Feb 2014  
11 Apr 2014  
13 June 2014  
11 July 2014

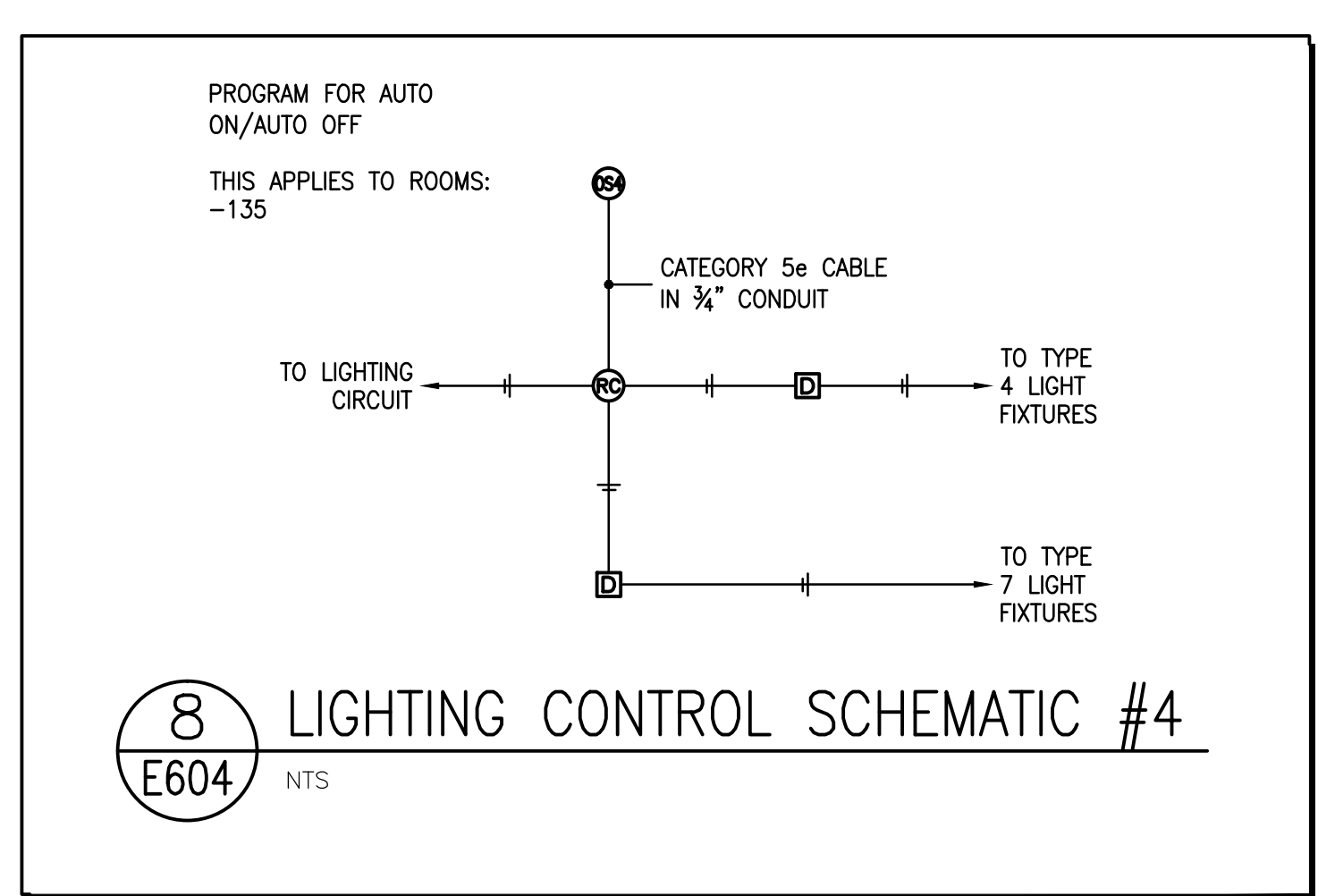
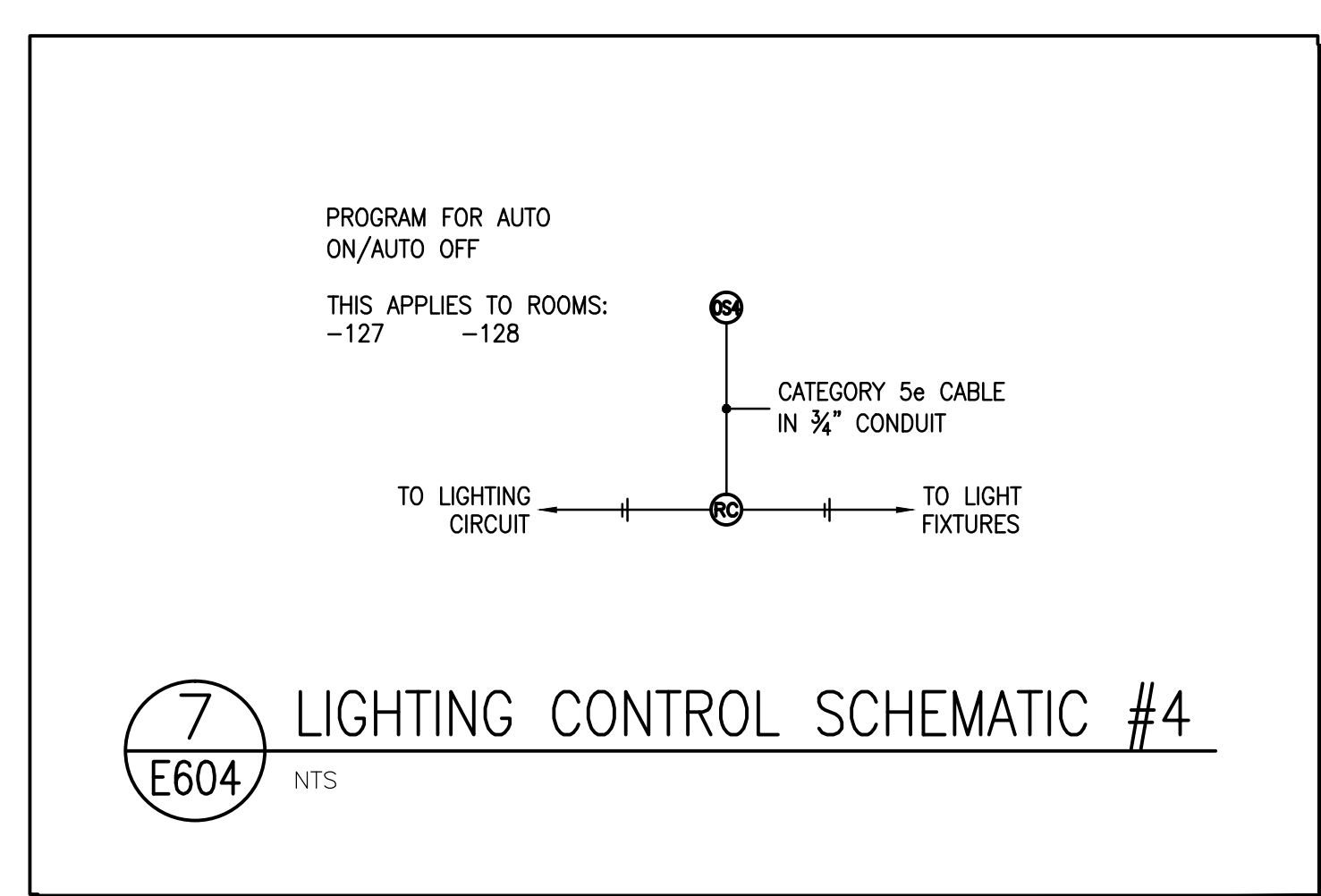
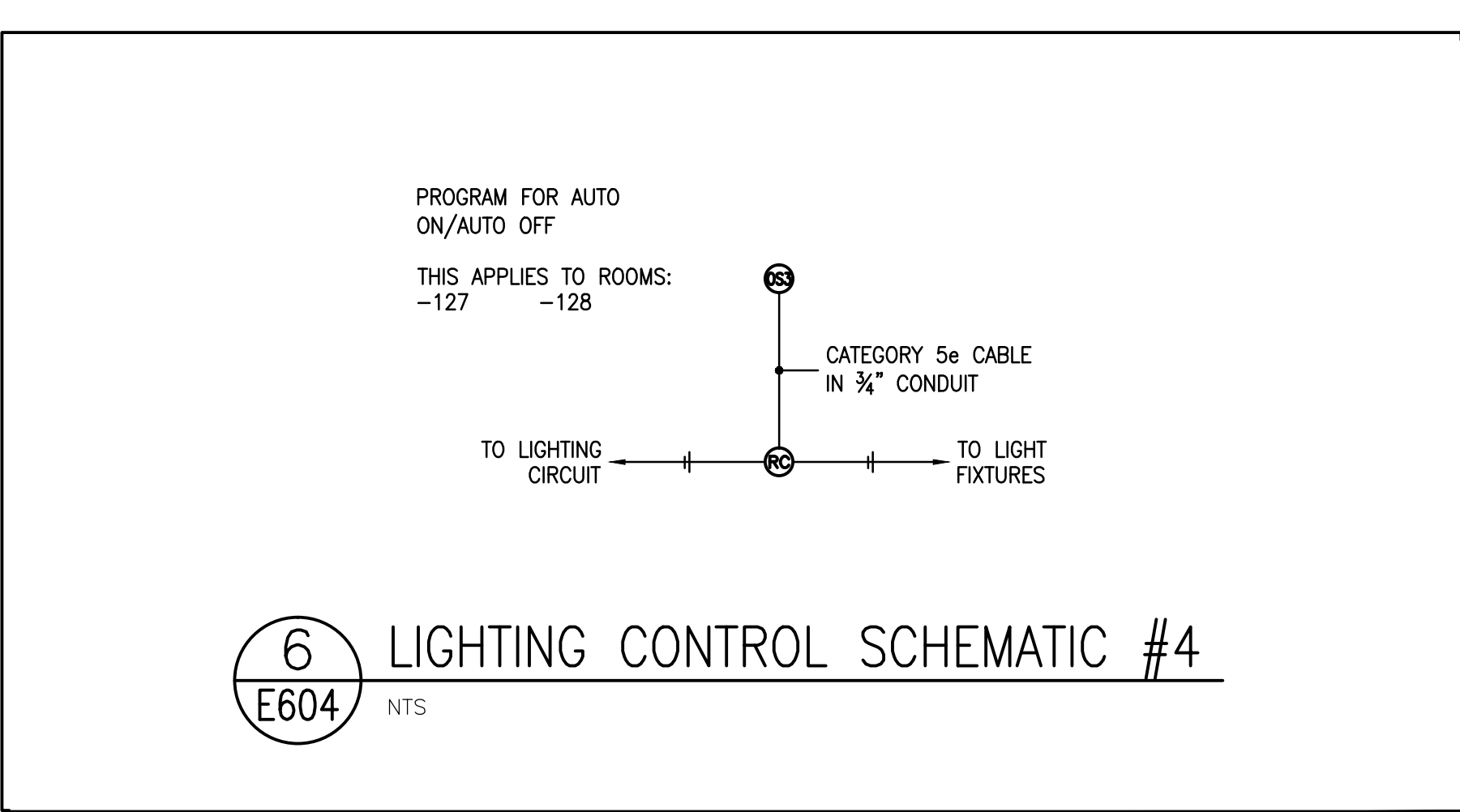
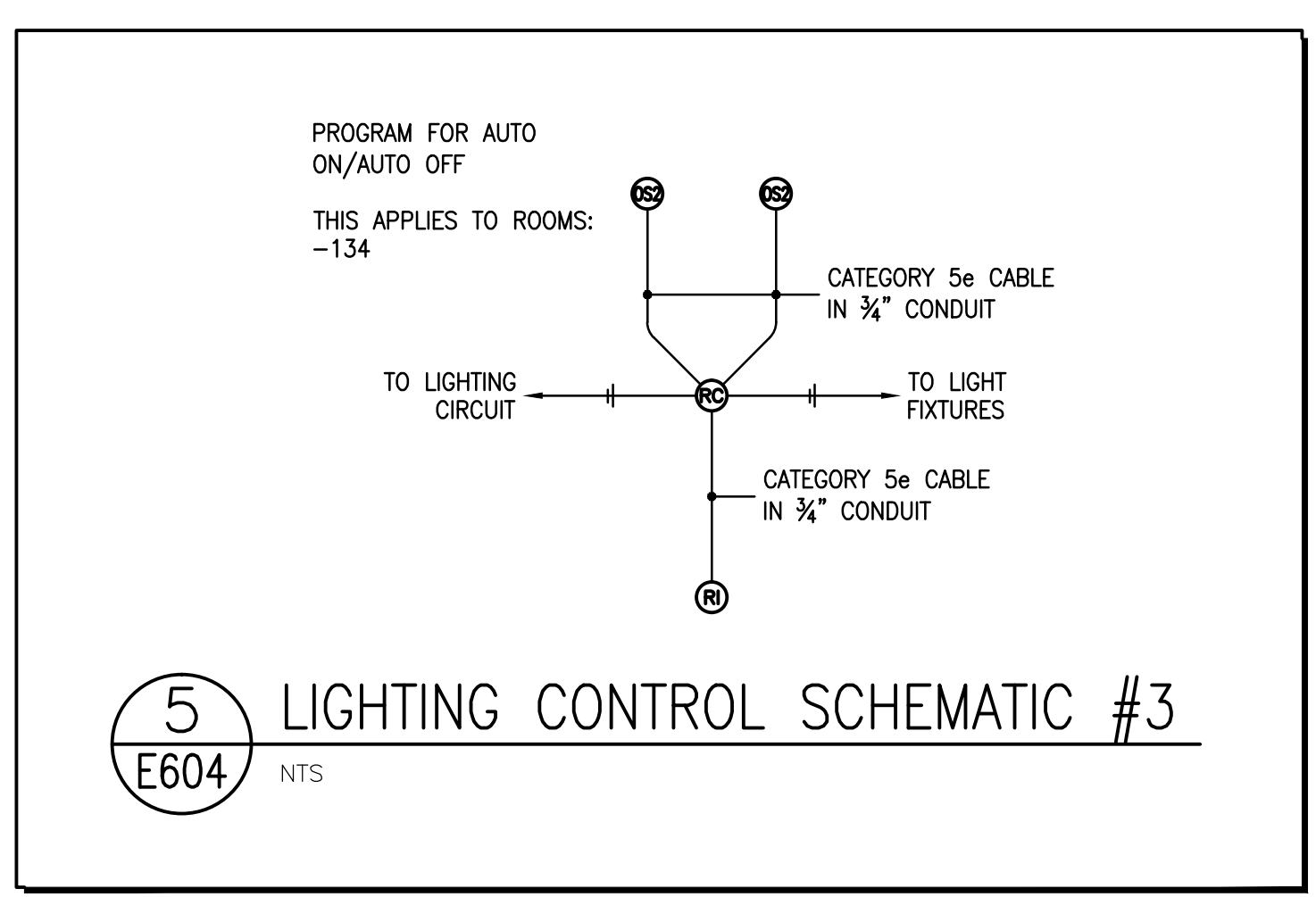
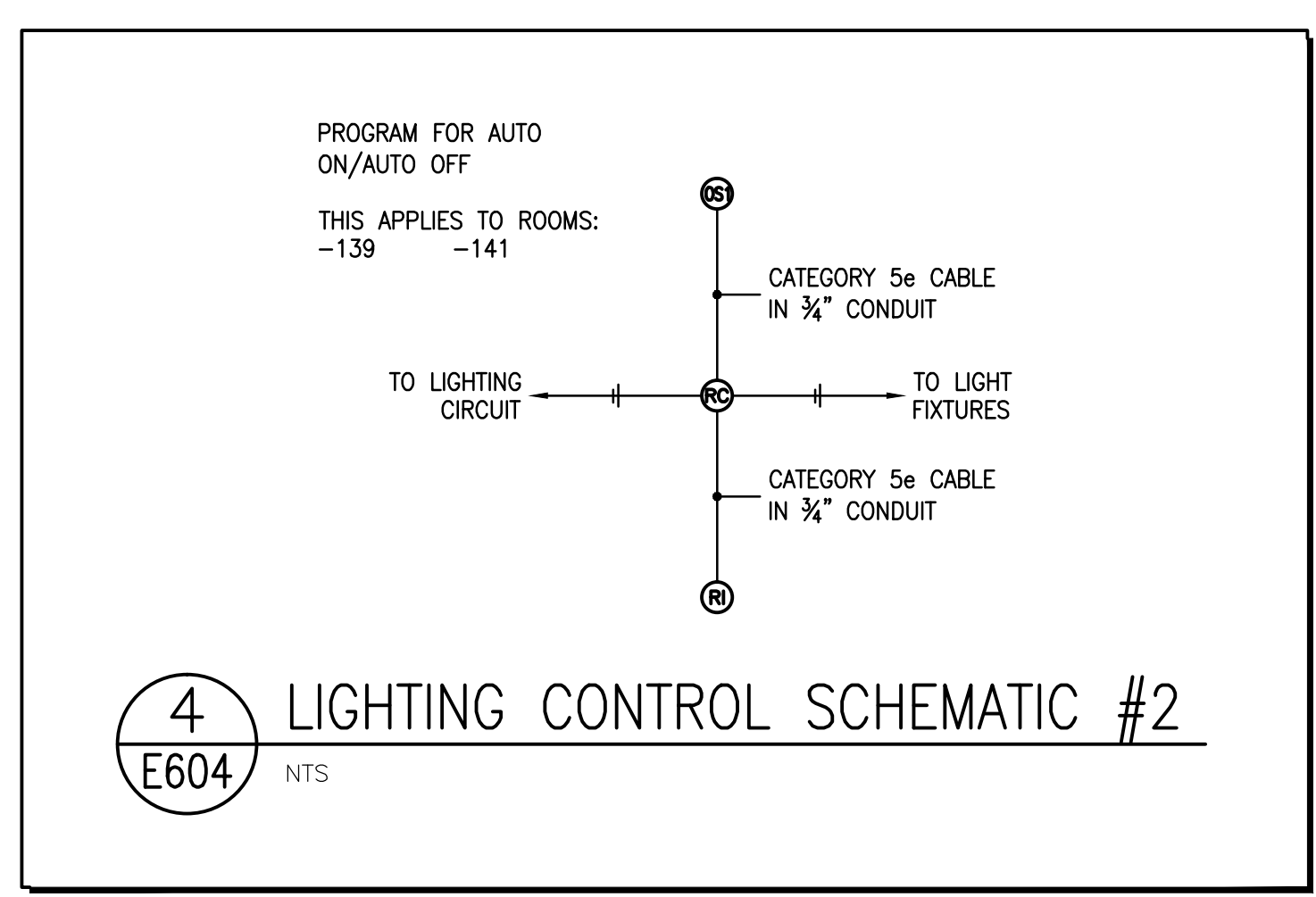
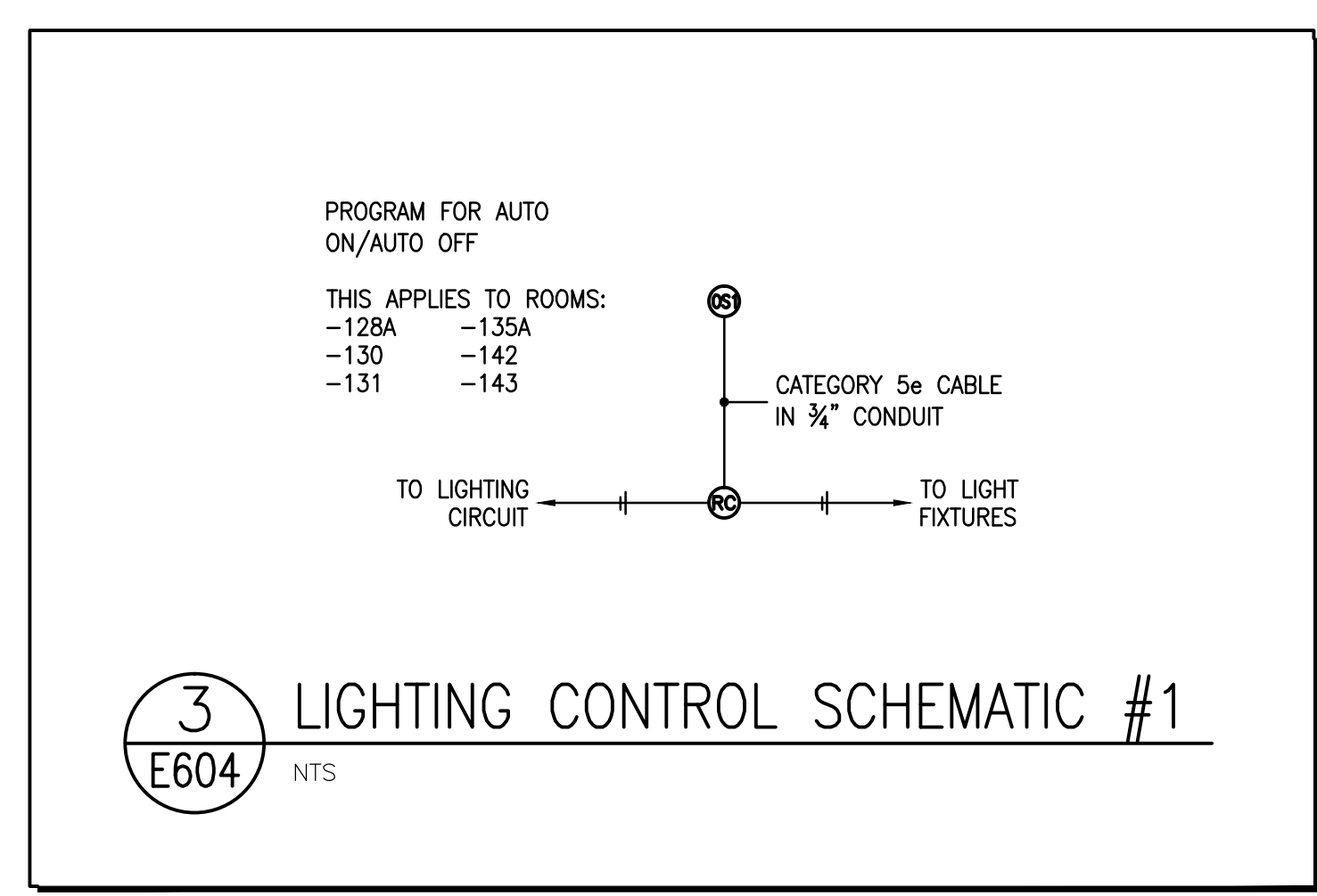
Issued for Review  
Issued for Schematic Design  
Issued for Design Development  
Issued for Tender Review  
Issued for Tender

DATE: 13/06/2014  
DRAWN BY: A.A. McDONALD  
CHECKED BY: A.A. McDONALD  
SCALE: AS NOTED  
PROJECT: CANADIAN MUSEUM OF IMMIGRATION AT PIER 21  
PROJECT NO.: 13-005  
DATE: 13/06/2014

E.C. O'Neill  
A. A. McDONALD  
CONSULTANTS  
6604

Luc Bouliane Architect Inc + David J Agro Architect Inc + Michael Grunsky Architect Inc  
1259 Dundas Street West, Toronto, M6J 1X6 Tel: 416 300 0656

- 1 LIGHTING RISER - CHRYSLER CANADA PAVILION - KENNETH C ROWE HALL - STAGE  
E604 NTS
- 2 LIGHTING CONTROL DEVICE LEGEND  
E604 NTS
- DIGITAL PASSIVE INFRARED CORNER MOUNT OCCUPANCY SENSOR WITH HIGH DENSITY LENS, WATTSTOPPER CAT. NO. LMPX-100.
  - DIGITAL PASSIVE INFRARED CORNER MOUNT OCCUPANCY SENSOR WITH TWO-SIDED AISLE LENS, WATTSTOPPER CAT. NO. LMPX-100-3.
  - DIGITAL DUAL TECHNOLOGY CEILING MOUNT OCCUPANCY SENSOR, WATTSTOPPER CAT. NO. LMDC-100.
  - DIGITAL PASSIVE INFRARED CEILING MOUNT OCCUPANCY SENSOR WITH HIGH DENSITY LENS, WATTSTOPPER CAT. NO. LMPX-100-1.
  - DIGITAL ON/OFF SINGLE RELAY ROOM CONTROLLER, WATTSTOPPER CAT. NO. LMRC-101.
  - DIGITAL ISOLATED RELAY INTERFACE, WATTSTOPPER CAT. NO. LMRL-100.
  - DIMMER FLUSH WALL MOUNTED 48" A.F.F. LUTRON CAT. NO. NTSV-DV-WL. CONFIRM THAT DIMMER AND DRIVER ARE COMPATIBLE.
- ACCEPTABLE MANUFACTURERS:  
 (1) WATTSTOPPER DIGITAL LIGHTING MANAGEMENT  
 (2) SENSOR SWITCH -LIGHT  
 (3) ENCELIUM ENERGY MANAGEMENT SYSTEM

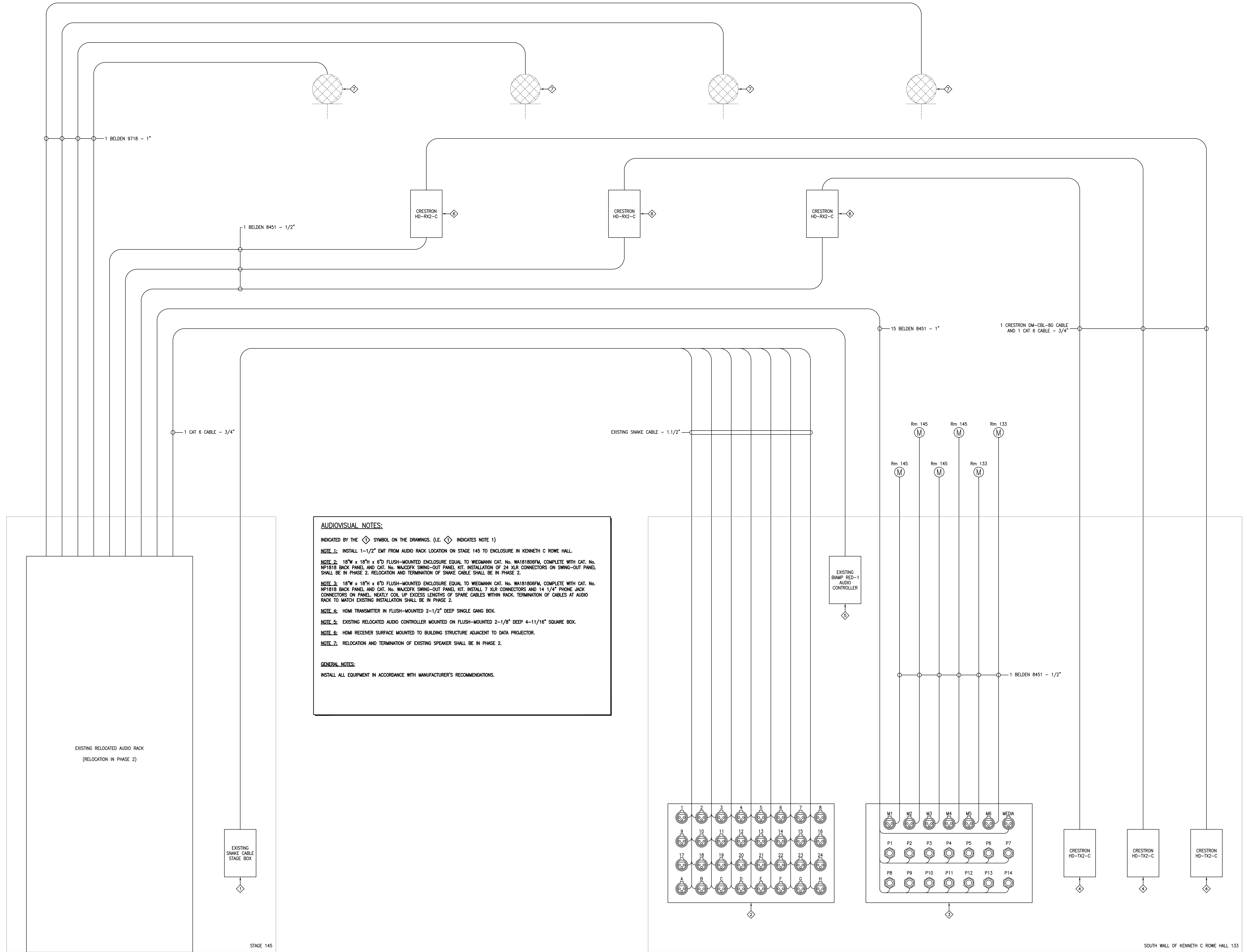


PHASING OF WORK:  
ALL WORK DETAILED ON THIS DRAWING SHALL FALL UNDER SCOPE OF WORK DEFINED AS PHASE 1 UNLESS OTHERWISE NOTED ON THE PLAN.

Drawing No. 130891-LEC-DWGS-E604 - Luminaire Schedule and Lighting Details.dwg was plotted 2014-07-28, at time 1:52:40 PM



Drawing No. 13-005 (REVISED) - Audiovisual Riser and phasing, 2014-01-28, at time 1:52:40 PM



**AUDIOVISUAL NOTES:**

INDICATED BY THE  $\diamond$  SYMBOL ON THE DRAWINGS. (I.E.  $\diamond$  INDICATES NOTE 1)

**NOTE 1:** INSTALL 1-1/2" EMT FROM AUDIO RACK LOCATION ON STAGE 145 TO ENCLOSURE IN KENNETH C ROWE HALL.

**NOTE 2:** 18"W x 18"H x 6"D FLUSH-MOUNTED ENCLOSURE EQUAL TO WEGMANN CAT. No. WA181806FM, COMPLETE WITH CAT. No. NP1818 BACK PANEL AND CAT. No. WAJCOFX SWING-OUT PANEL KIT. INSTALLATION OF 24 XLR CONNECTORS ON SWING-OUT PANEL SHALL BE IN PHASE 2. RELOCATION AND TERMINATION OF SNAKE CABLE SHALL BE IN PHASE 2.

**NOTE 3:** 18"W x 18"H x 6"D FLUSH-MOUNTED ENCLOSURE EQUAL TO WEGMANN CAT. No. WA181806FM, COMPLETE WITH CAT. No. NP1818 BACK PANEL AND CAT. No. WAJCOFX SWING-OUT PANEL KIT. INSTALL 7 XLR CONNECTORS AND 14 1/4" PHONE JACK CONNECTORS ON PANEL. NEATLY COIL UP EXCESS LENGTHS OF SPARE CABLES WITHIN RACK. TERMINATION OF CABLES AT AUDIO RACK TO MATCH EXISTING INSTALLATION SHALL BE IN PHASE 2.

**NOTE 4:** HDMI TRANSMITTER IN FLUSH-MOUNTED 2-1/2" DEEP SINGLE GANG BOX.

**NOTE 5:** EXISTING RELOCATED AUDIO CONTROLLER MOUNTED ON FLUSH-MOUNTED 2-1/8" DEEP 4-11/16" SQUARE BOX.

**NOTE 6:** HDMI RECEIVER SURFACE MOUNTED TO BUILDING STRUCTURE ADJACENT TO DATA PROJECTOR.

**NOTE 7:** RELOCATION AND TERMINATION OF EXISTING SPEAKER SHALL BE IN PHASE 2.

**GENERAL NOTES:**

INSTALL ALL EQUIPMENT IN ACCORDANCE WITH MANUFACTURER'S RECOMMENDATIONS.

IMPERIAL SCALE DRAWING  
FIRST FLOOR ELEV. 00.00m

No.	Issued / revised	Date:
1	Issued for Review	15 Jan 2014
2	Issued for Schematic Design	05 Feb 2014
3	Issued for Design Development	11 April 2014
4	Issued for Tender Review	13 June 2014
5	Issued for Tender	11 July 2014

PROFESSIONAL ENGINEER  
A.A. McDONALD  
6604  
F.C. O'Neill, Steven S. Asseco's Limited  
Consulting Engineers  
Professional Engineers  
1100 SHEPPARD AVENUE EAST, SUITE 100, SCARBOROUGH, ONTARIO M1S 1T6  
TEL: (416) 291-1111 FAX: (416) 291-1112  
www.on-sa.com

Luc Bouliane Architect Inc + David J Agro Architect Inc + Michael Grunsky Architect Inc  
1259 Dundas Street West, Toronto, M6J 1X6 Tel: 416 300 0656

**CANADIAN MUSEUM OF IMMIGRATION AT PIER 21**

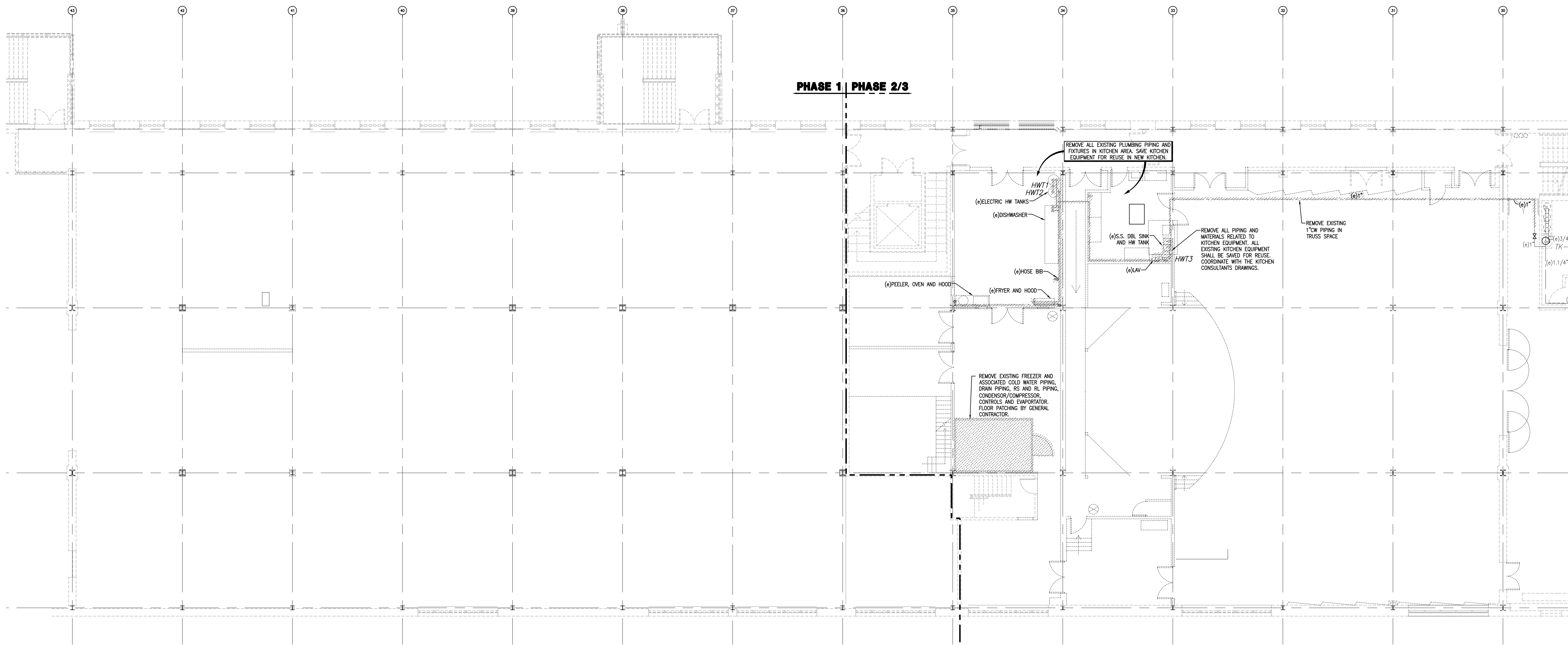
1 AUDIOVISUAL RISER  
E605 NTS

**PHASING OF WORK:**  
ALL WORK DETAILED ON THIS DRAWING SHALL FALL UNDER SCOPE OF WORK DEFINED AS PHASE 1 UNLESS OTHERWISE NOTED ON THE PLAN.

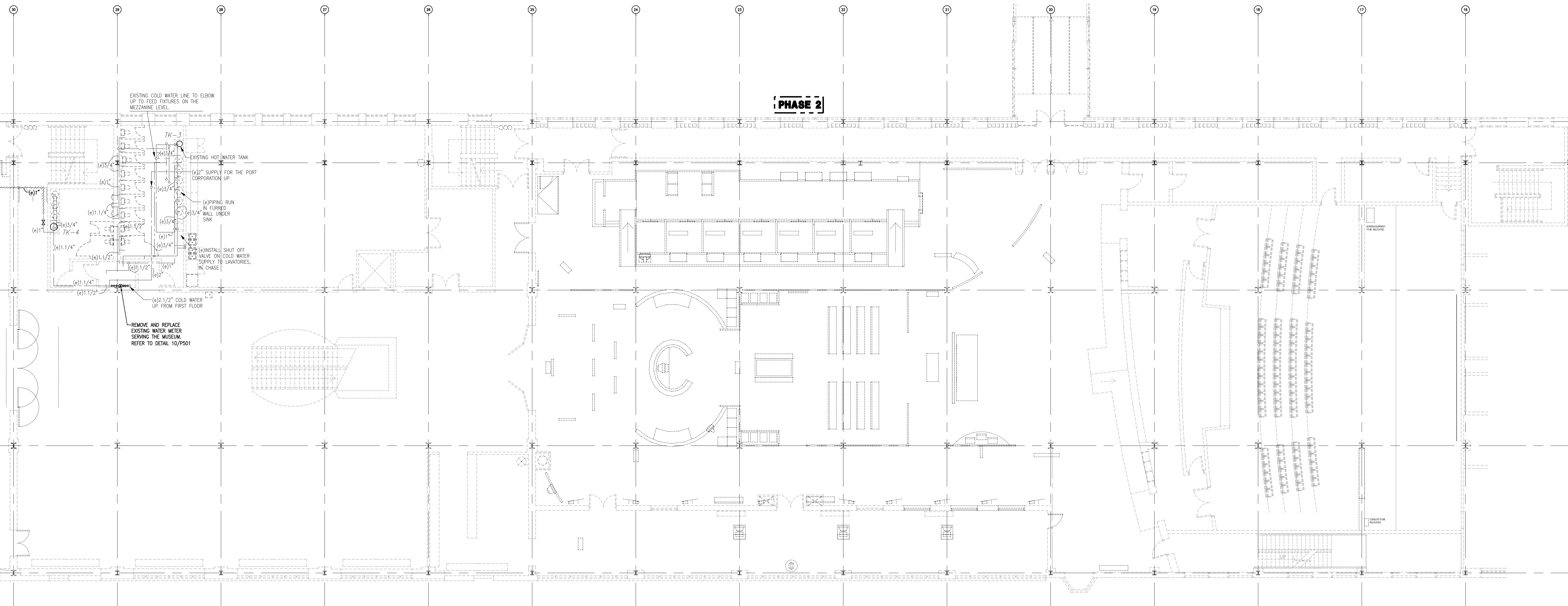
project no: 13-005  
scale: AS NOTED  
drawn by: GUT  
reviewed by: AMM  
date: Jan. 15/2014

PIER 21  
AUDIOVISUAL RISER  
**E605**

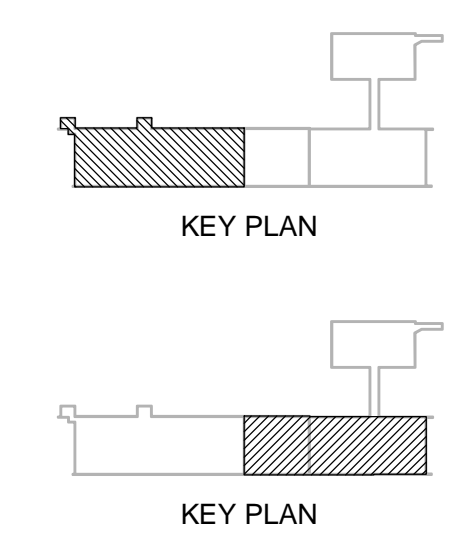




1 DOMESTIC WATER DEMOLITION LAYOUT – LEVEL 2 SOUTH  
1/8"=1'-0"

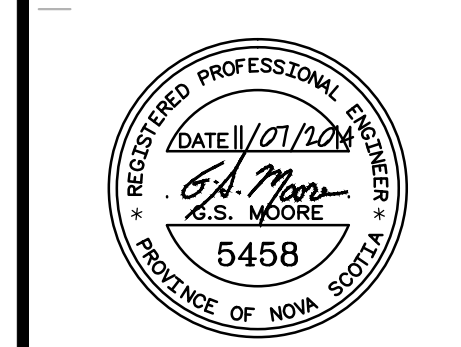


2 DOMESTIC WATER DEMOLITION LAYOUT – LEVEL 2 NORTH  
1/8"=1'-0"



IMPERIAL SCALE DRAWING  
FIRST FLOOR ELEV. 00.00m

no.	issued / revised	date
1	issued for Review	15 Jan 2014
2	issued for Schematic	05 Feb 2014
3	issued for Design Development	11 April 2014
4	issued for Tender	13 June 2014
5	issued for Tender	11 July 2014



F.C. O'Neil, Engineer & Assoc's Limited  
 3490 DUNDAS STREET WEST, TORONTO, ONT. M6J 1X6  
 341 DUNDAS STREET WEST, TORONTO, ONT. M5G 1S1  
 P: 416 330 0656 F: 416 330 0657 W: www.onil.ca



Luc Bouliane Architect Inc + David J Agro Architect Inc + Michael Grunsky Architect Inc  
 1259 Dundas Street West, Toronto, M6J 1X6 Tel: 416 300 0656  
**CANADIAN MUSEUM OF IMMIGRATION AT PIER 21**

project no.	13-005
scale	AS NOTED
drawn by	NGS
checked by	GSB
date	Jan. 15/2014

PIER 21  
 DOMESTIC WATER DEMOLITION  
 LEVEL 2

Drawing P101 - Domestic Water Demolition - Rev 2.dwg/066 was plotted: 14/07/10, at time: 5:28:22 pm









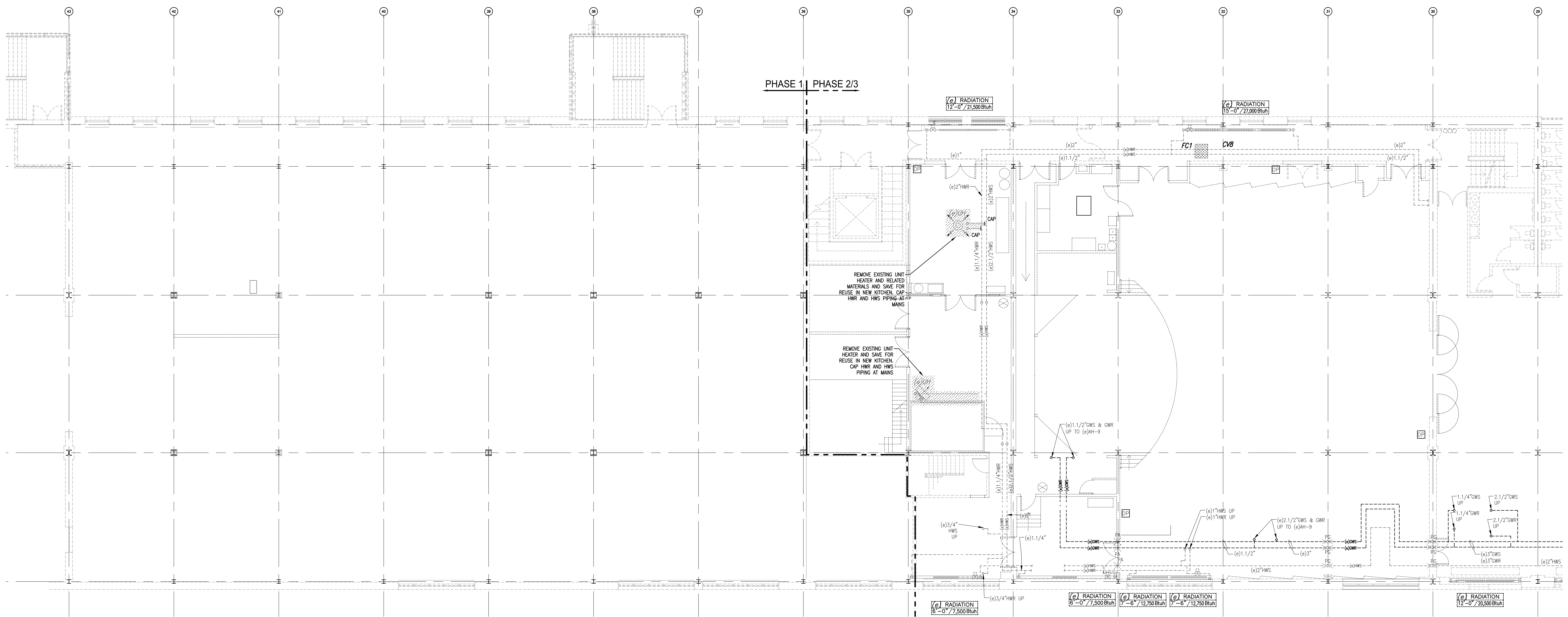




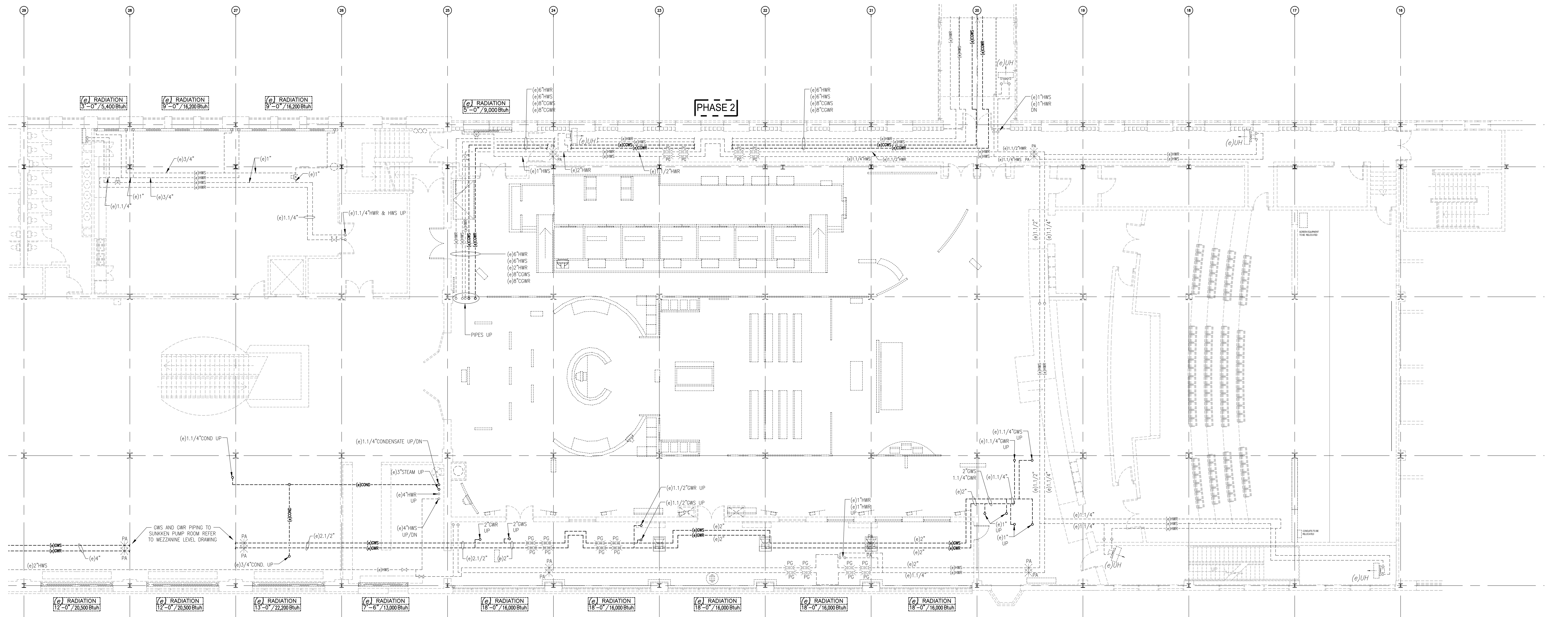




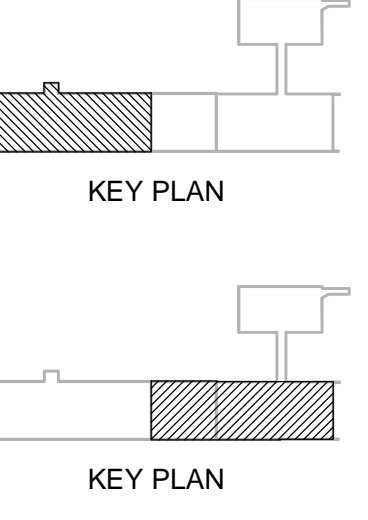




1 HEATING DEMOLITION LAYOUT - LEVEL 2 SOUTH  
1/8"=1'-0"

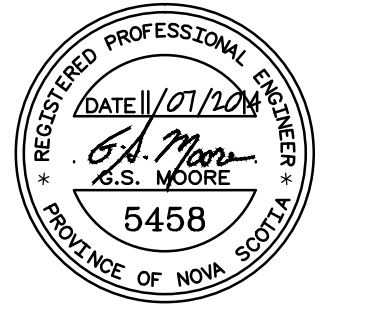


2 HEATING DEMOLITION LAYOUT - LEVEL 2 NORTH  
1/8"=1'-0"



IMPERIAL SCALE DRAWING  
FIRST FLOOR ELEV. 00.00m

no.	Issued / Revised	date
1	Issued for Review	15 Jun 2014
2	Issued for Schematic	05 Feb 2014
3	Issued for Design Development	11 April 2014
4	Issued for Tender	13 June 2014
5	Issued for Tender	11 July 2014



F.C. O'Neil, Engineer and Assoc's Limited  
 3490 Sheppard Avenue East, Suite 208  
 Scarborough, Ontario M1S 4T7  
 Tel: (416) 291-1111 Fax: (416) 291-1112  
 www.fc-engineering.com



Luc Bouliane Architect Inc + David J Agro Architect Inc + Michael Grunsky Architect Inc  
 1259 Dundas Street West, Toronto, M6J 1X6 Tel: 416 300 0656  
**CANADIAN MUSEUM OF IMMIGRATION AT PIER 21**

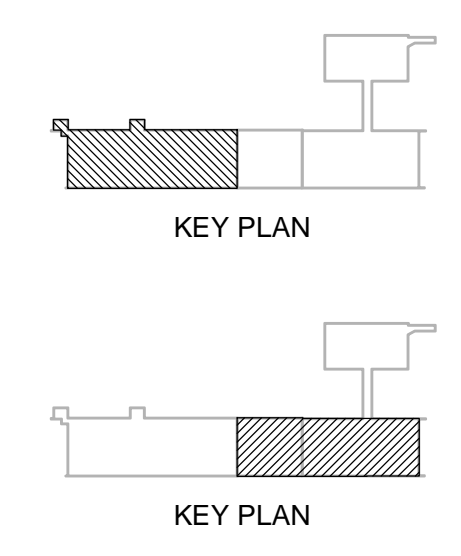
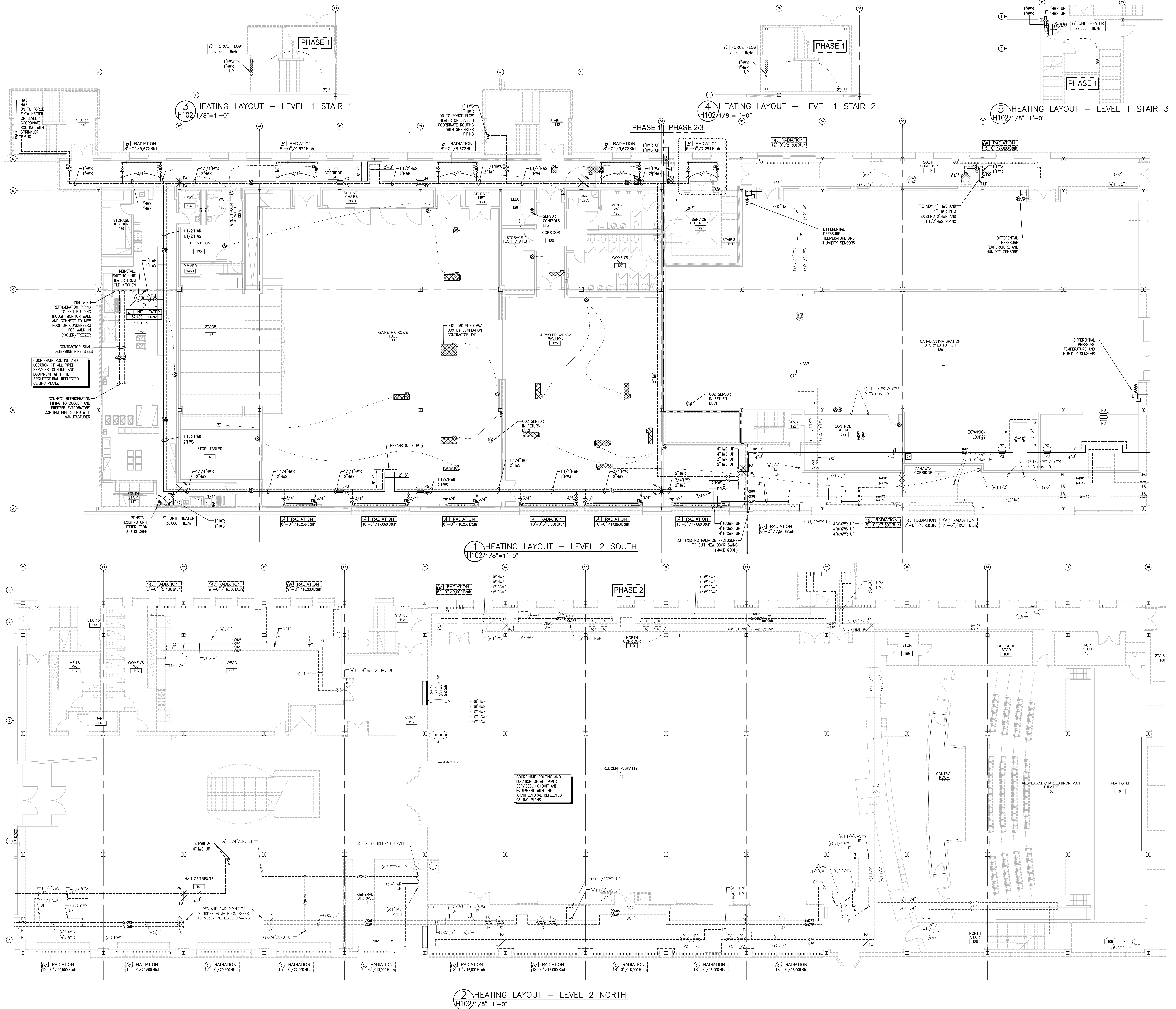
project no: 13-005  
 scale: AS NOTED  
 drawn by: NGS  
 reviewed by: GSA  
 date: Jan. 15/2014

PIER 21  
 HEATING DEMOLITION  
 LEVEL 2

H101

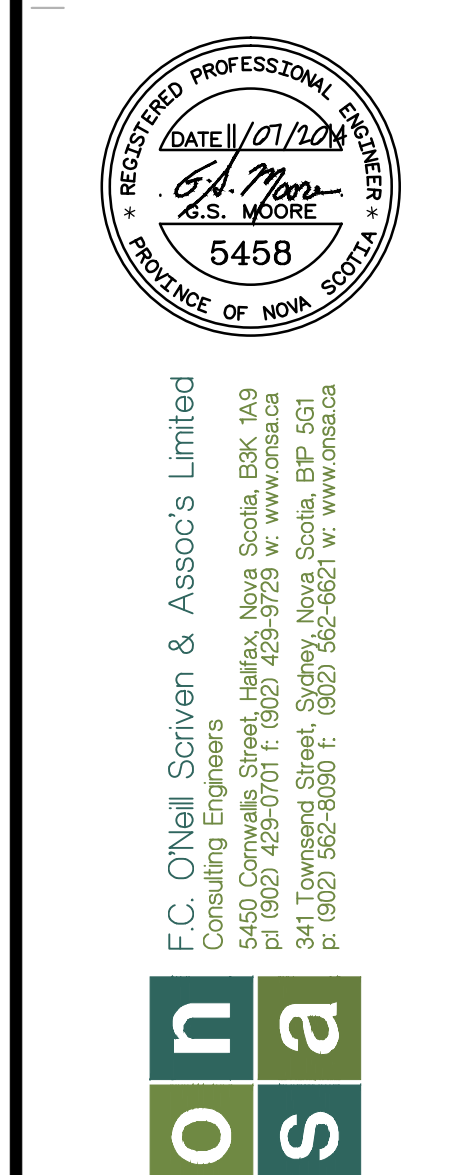
Drawing H101 - Heating Demolition - Level 2, 2014, 06/15/14, at time 5:55:51 pm





IMPERIAL SCALE DRAWING  
FIRST FLOOR ELEV. 00.00m

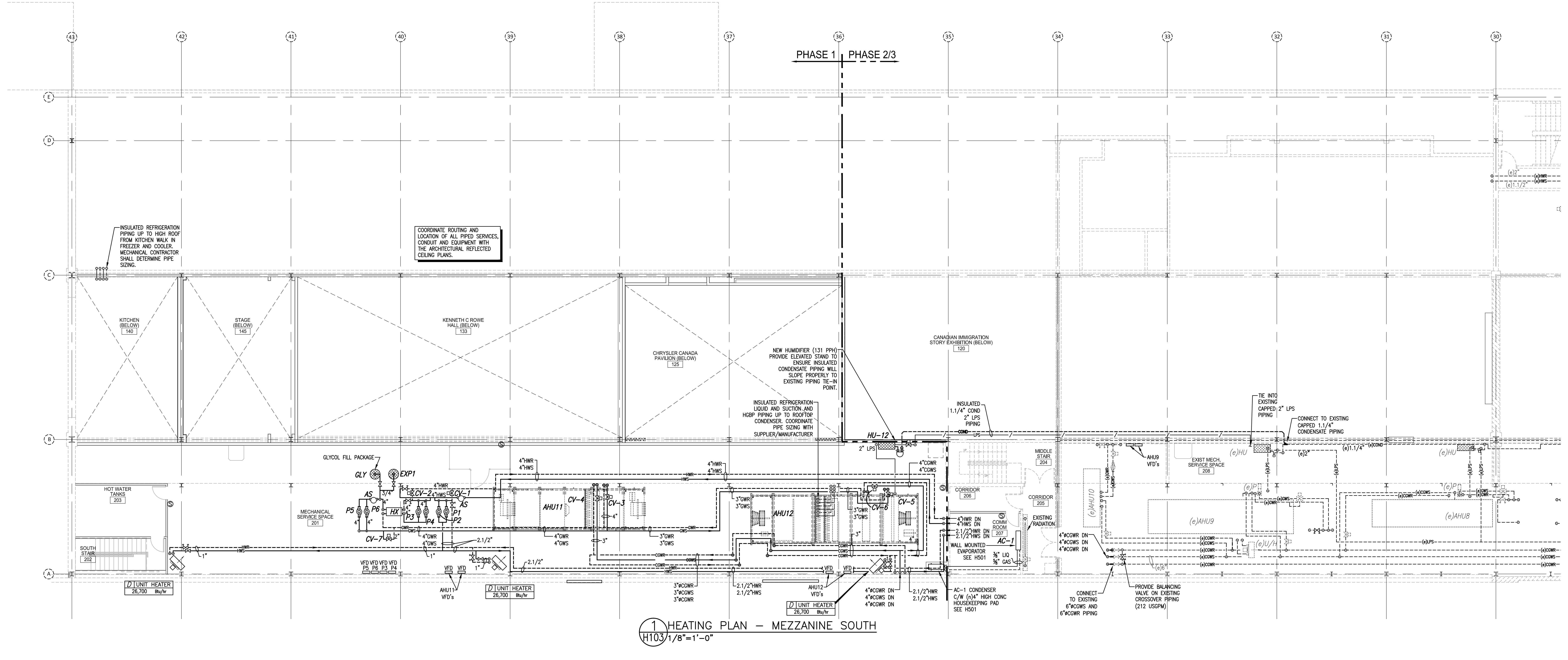
1	Issued for Review	15 Jan 2014
2	Issued for Schematic Design	05 Feb 2014
3	Issued for Design Development	11 Apr 2014
4	Issued for Tender	13 Jun 2014
5	Issued for Review	11 Jul 2014



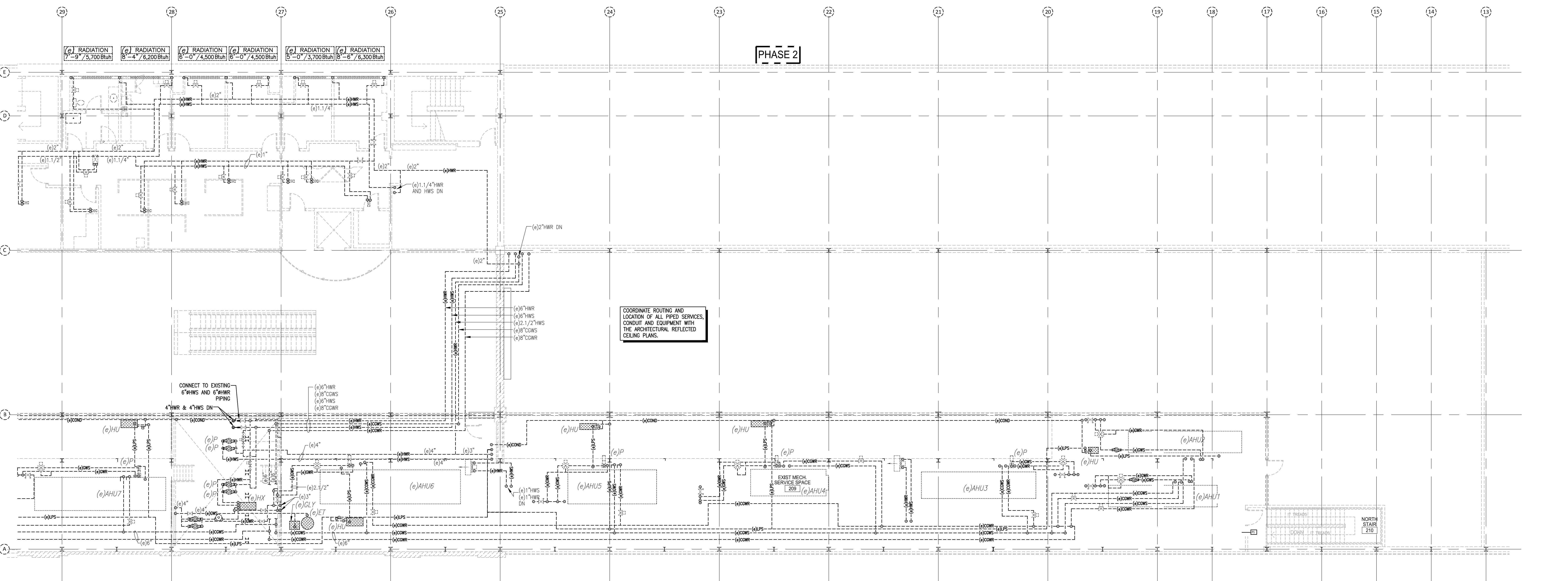
Luc Bouliane Architect Inc + David J Agro Architect Inc + Michael Grunsky Architect Inc  
1259 Dundas Street West, Toronto, M6J 1X6 Tel. 416 300 0656

PROJECT NO: 13-005  
SCALE: AS NOTED  
DRAWN BY: HSB  
CHECKED BY: GDM  
DATE: Jan. 15/2014

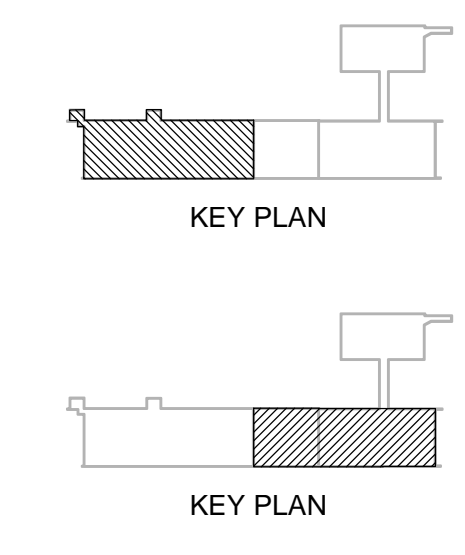




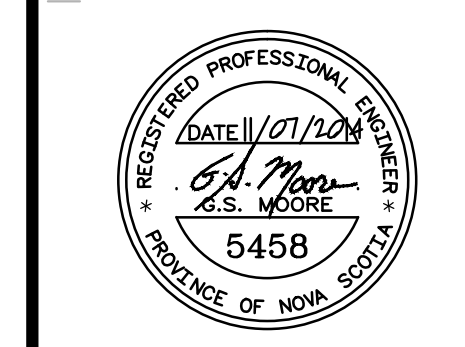
1 HEATING PLAN - MEZZANINE SOUTH  
H103 1/8"=1'-0"



2 HEATING PLAN - MEZZANINE NORTH  
H103 1/8"=1'-0"



IMPERIAL SCALE DRAWING  
FIRST FLOOR ELEV. 00.00m



F.C. O'Halloran & Associates Limited  
11400 Yonge Street, Suite 200, Richmond Hill, Ontario L4B 1N7  
Tel: (905) 709-2200 Fax: (905) 709-2201  
www.fchoh.com



Luc Bouliane Architect Inc + David J. Agro Architect Inc + Michael Grunsky Architect Inc  
1259 Dundas Street West, Toronto, M6J 1X6 Tel: 416 300 0656

project no: 15008  
scale: AS NOTED  
drawn by: NGJ  
reviewed by: CSJ  
date: Jan. 15/2014

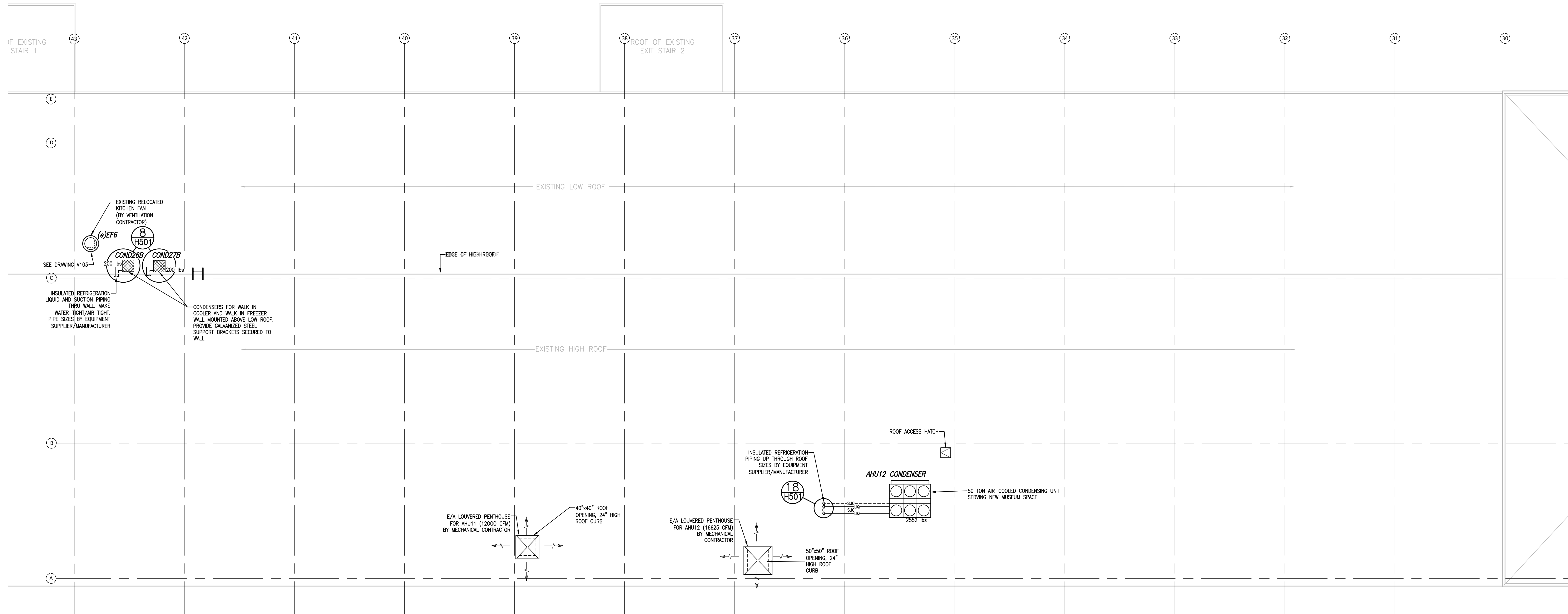
PIER 21  
HEATING LAYOUT  
MEZZANINE  
H103

Drawing H103 - Heating - Mezzanine.dwg was plotted 14/07/14, at time 5:58:22pm

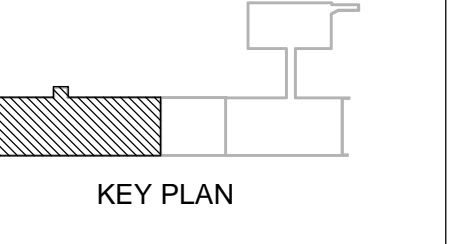






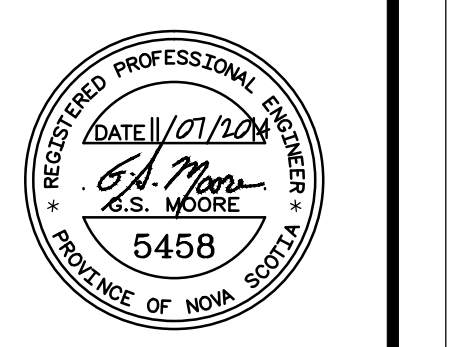


1 HEATING PLAN - SOUTH ROOF  
H105 1/8"=1'-0"



IMPERIAL SCALE DRAWING  
FIRST FLOOR ELEV. 00.00m

no.	Issued / revised	Date
1	Issued for Review	15 Jan 2014
2	Issued for Schematic Design	05 Feb 2014
3	Issued for Design Development	11 April 2014
4	Issued for Tender Review	13 June 2014
5	Issued for Tender	11 July 2014



F.C. O'Hall Screen & Assoc's Limited  
11800 Finch Avenue East, Unit 100, Markham, ON L3R 0Y7  
Tel: (905) 477-1100 Fax: (905) 477-1101  
www.fcosha.com

**on sa**

Luc Bouliane Architect Inc + David J Agro Architect Inc + Michael Grunsky Architect Inc  
1259 Dundas Street West, Toronto, M6J 1X6 Tel: 416 300 0656

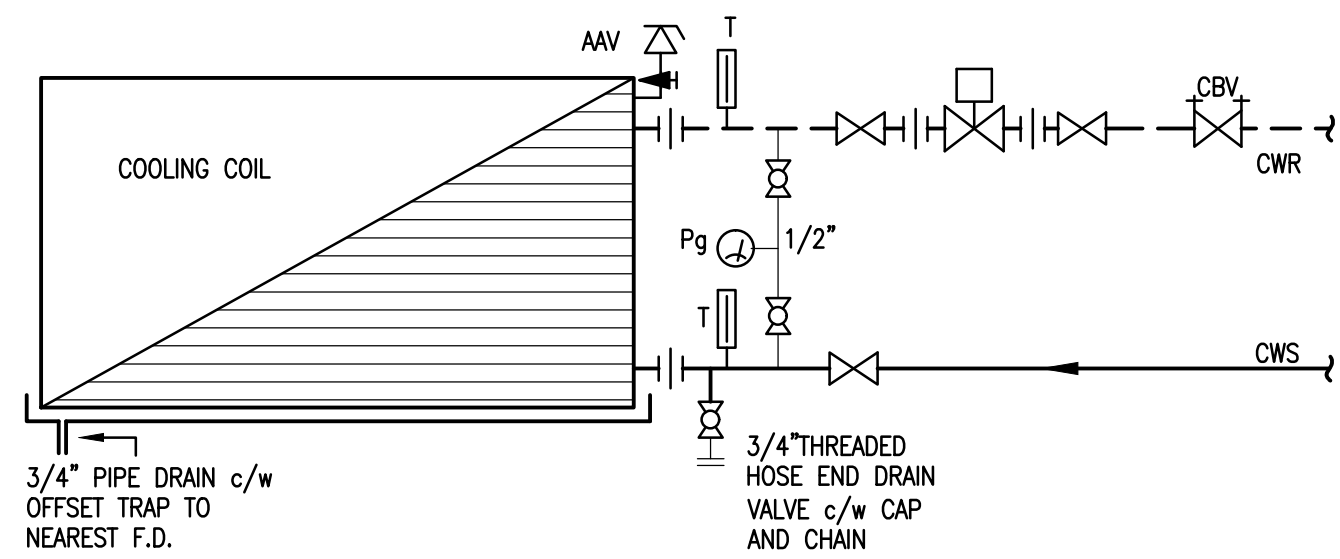
**CANADIAN MUSEUM OF IMMIGRATION AT PIER 21**

project no: 13-009  
scale: AS NOTED  
drawn by: NGG  
checked by: CSB  
date: Jan. 15/2014

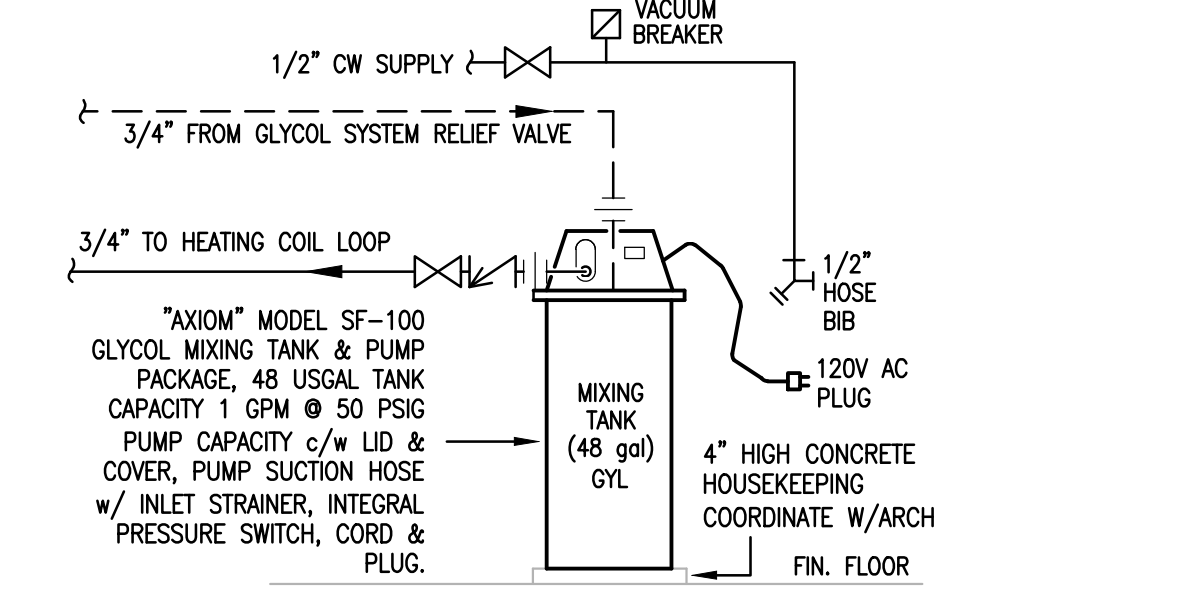
PIER 21  
HEATING AND EQUIPMENT  
LAYOUT - ROOF  
**H105**

Drawing H105 - Heating - Roofing.rvt was plotted 14/07/14, at time 3:55:19 pm



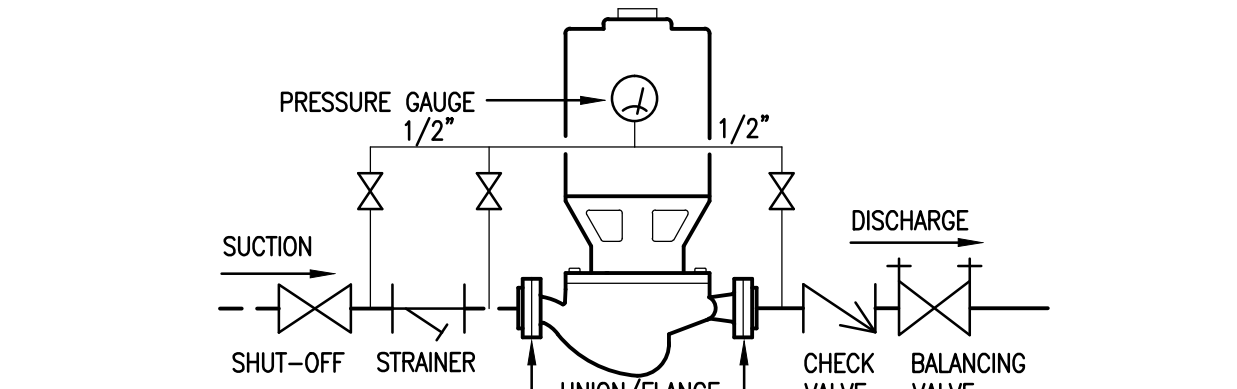


**1 CHILLED WATER COIL SCHEMATIC**  
H501 N.T.S.

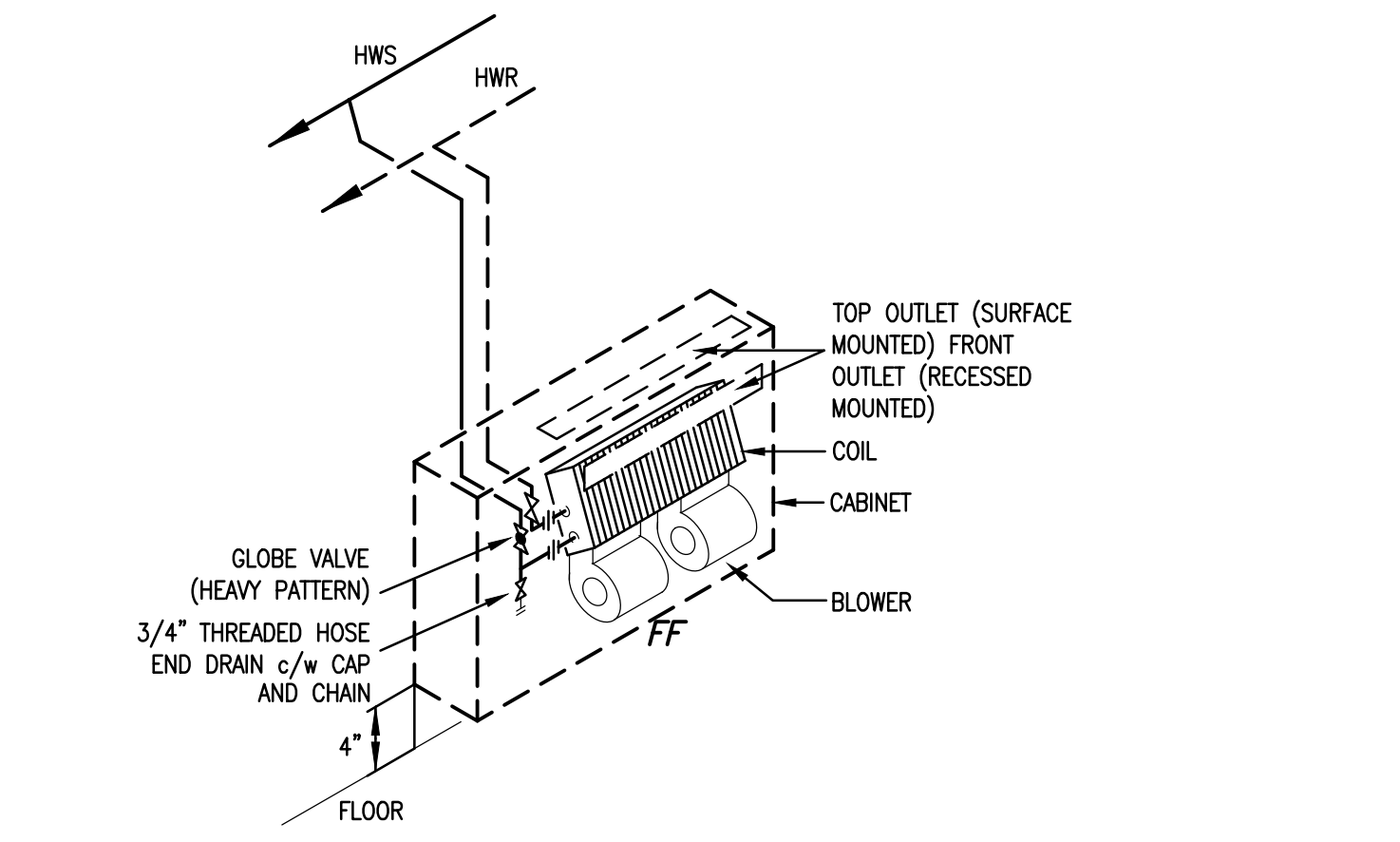


**2 PROPELENE GLYCOL MIXING TANK**  
H501 N.T.S.

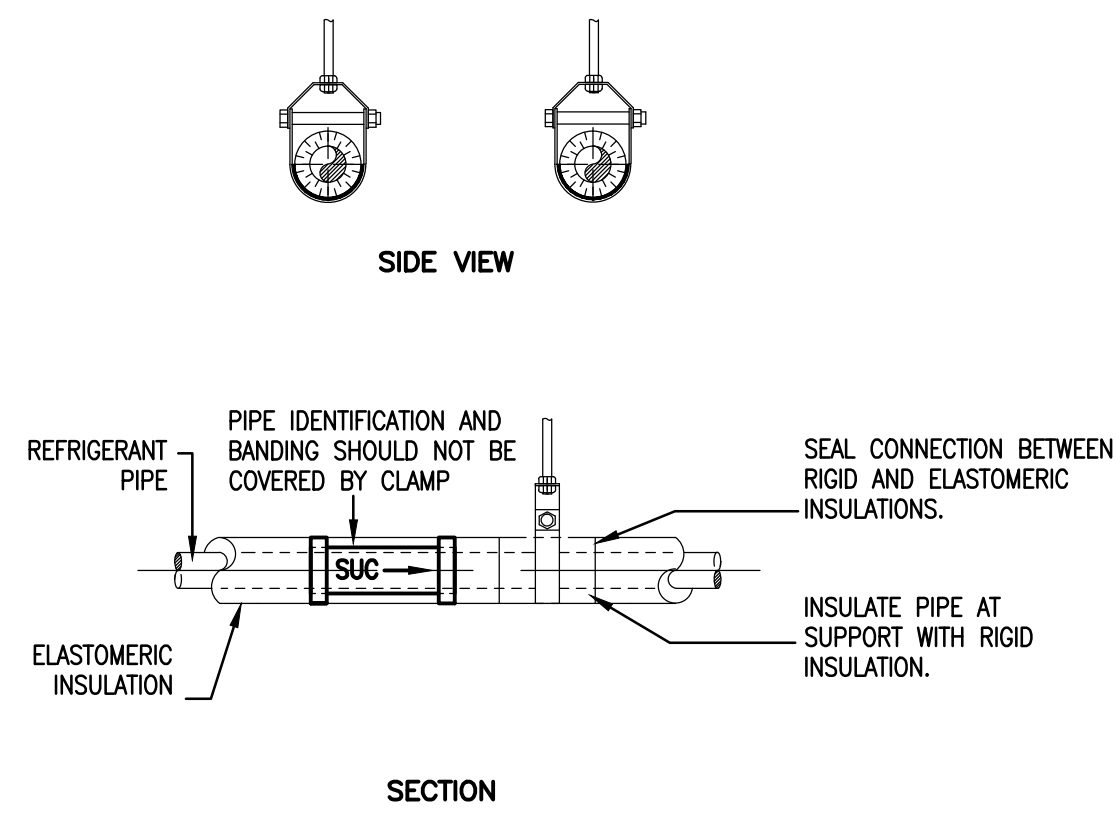
**3 NOT USED**  
H501 N.T.S.



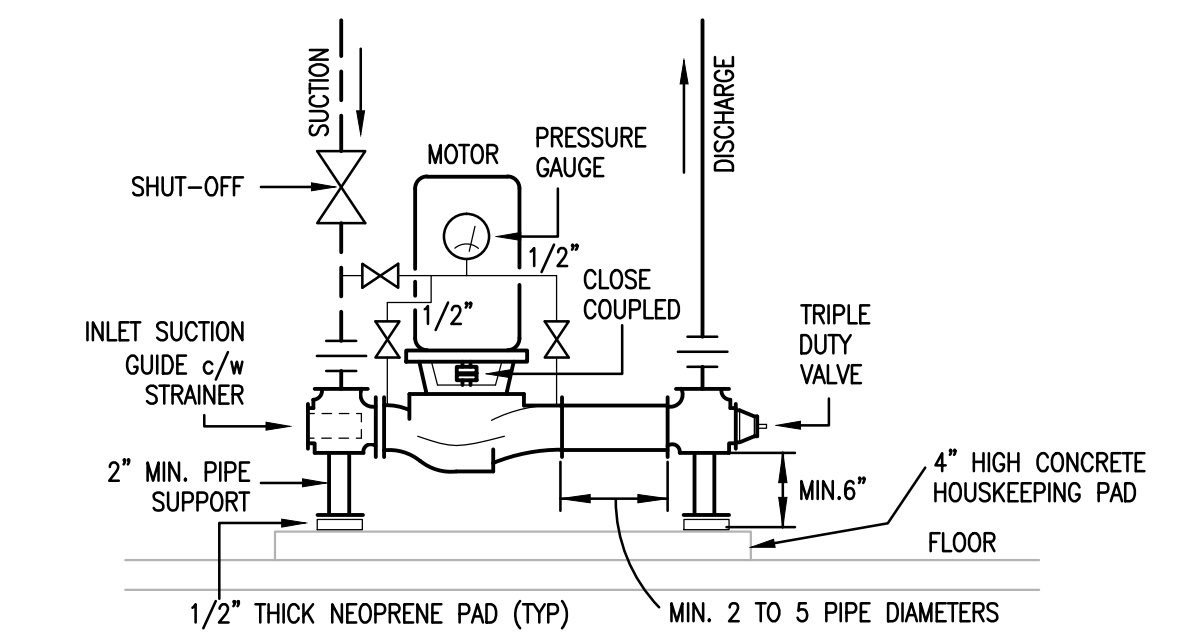
**4 IN-LINE CIRCULATOR PUMP**  
H501 N.T.S.



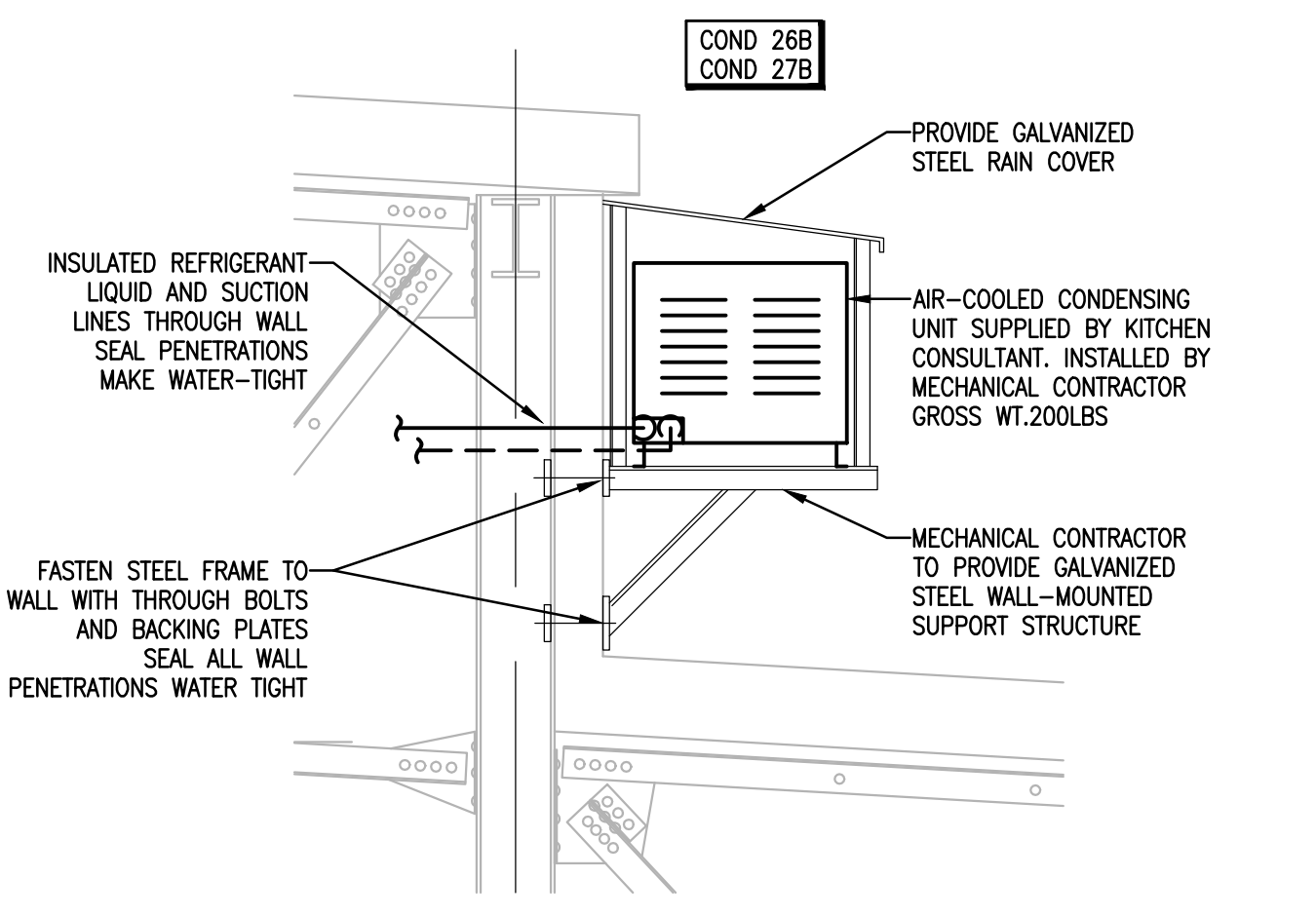
**5 HOT WATER FORCE FLOW HEATER**  
H501 N.T.S.



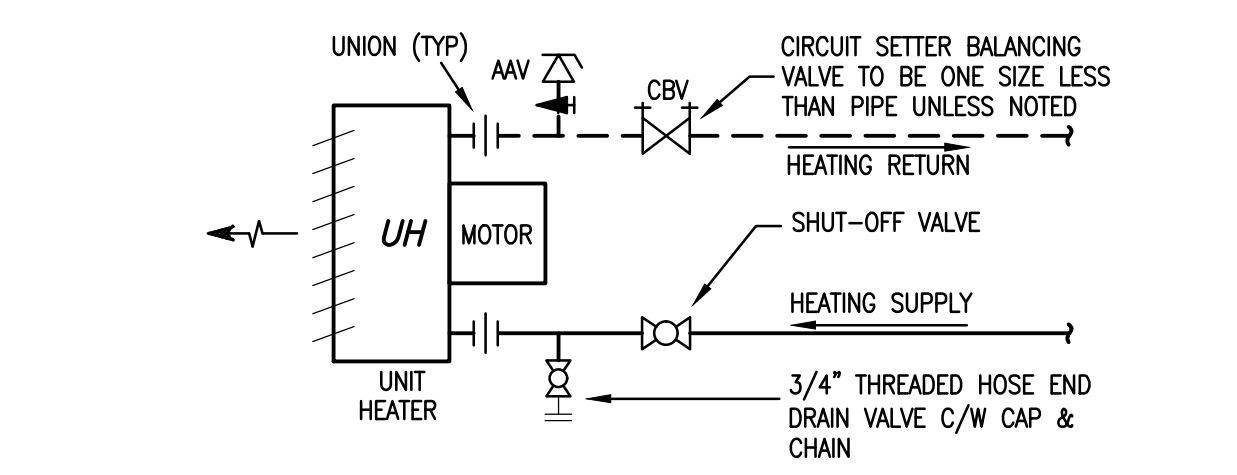
**6 PIPE HANGER DETAIL**  
H501 N.T.S.



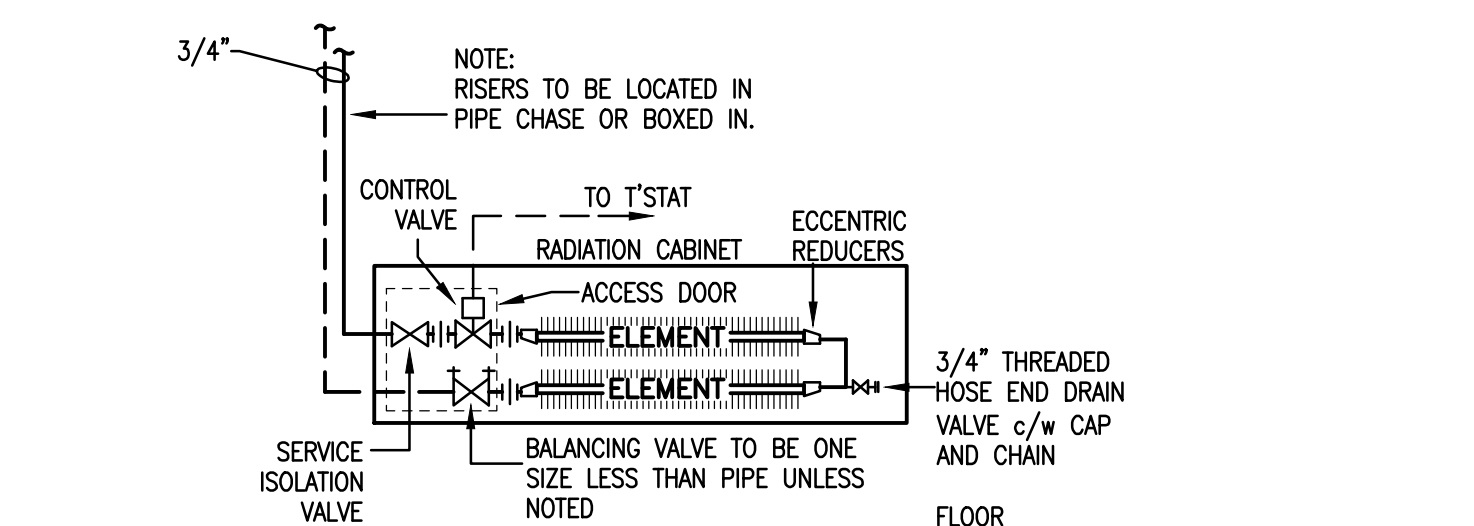
**7 VERTICAL IN-LINE PUMP**  
H501 N.T.S.



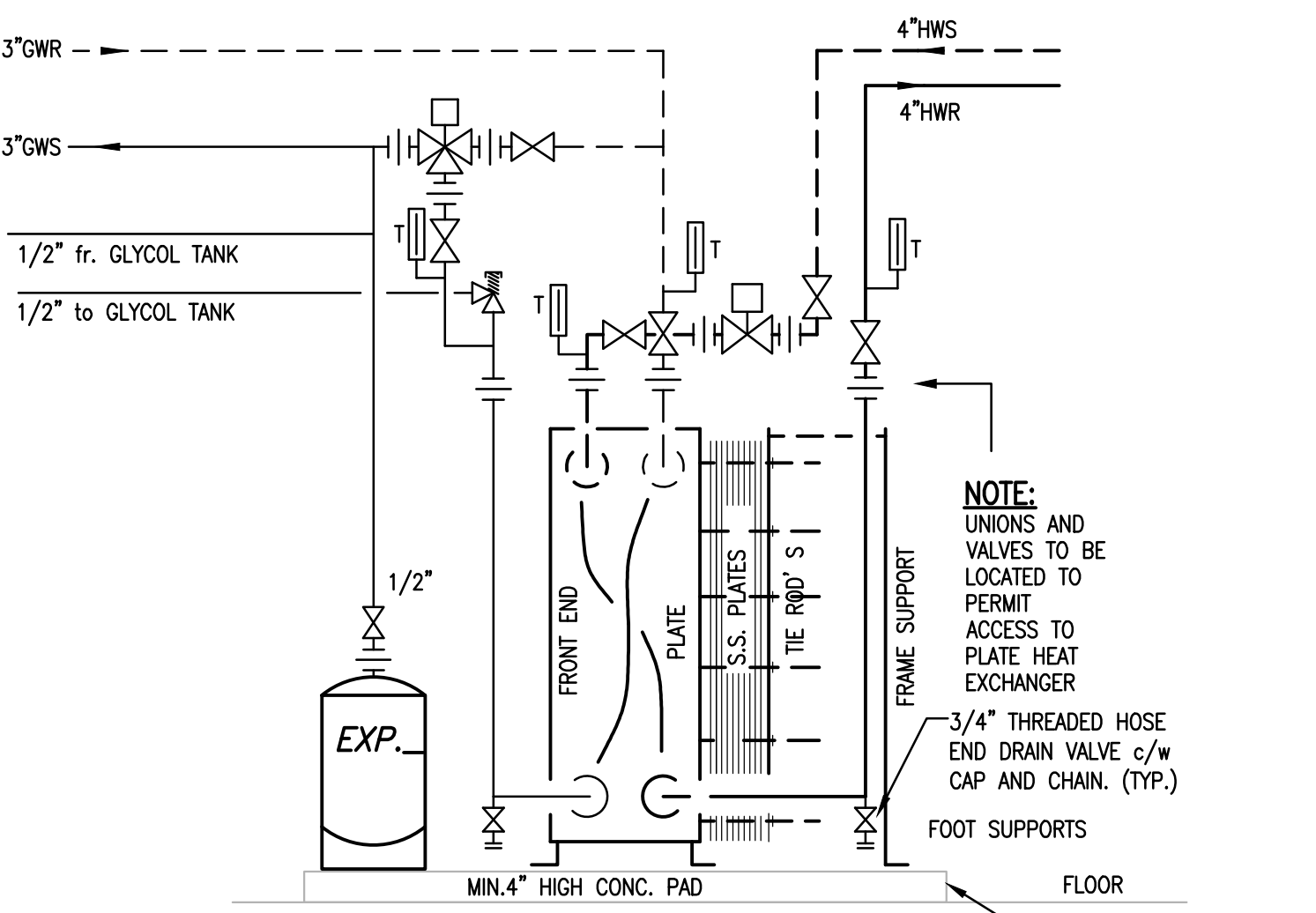
**8 OUTDOOR WALL-MOUNTED CONDENSER**  
H501 N.T.S.



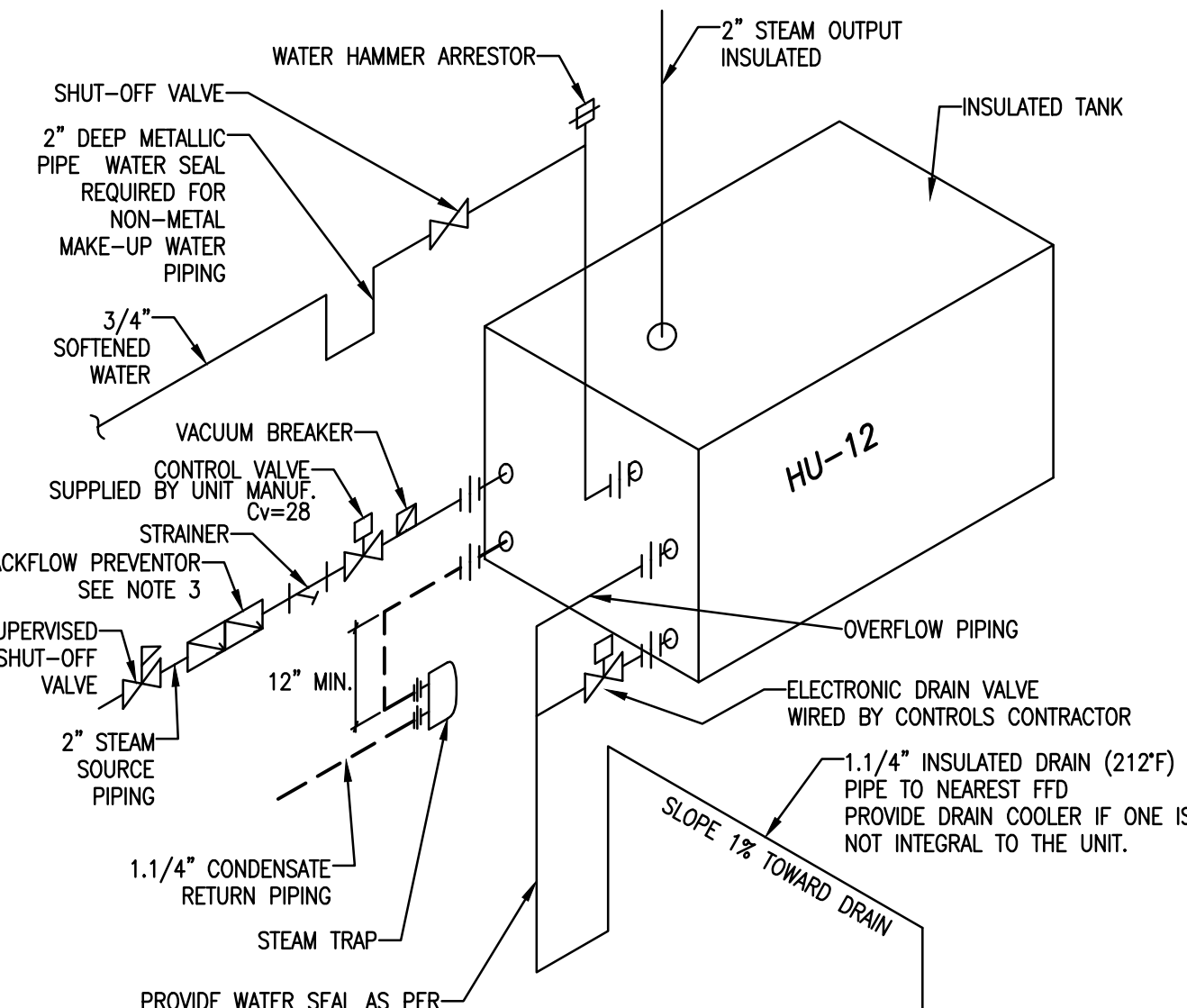
**9 HOT WATER UNIT HEATER**  
H501 N.T.S.



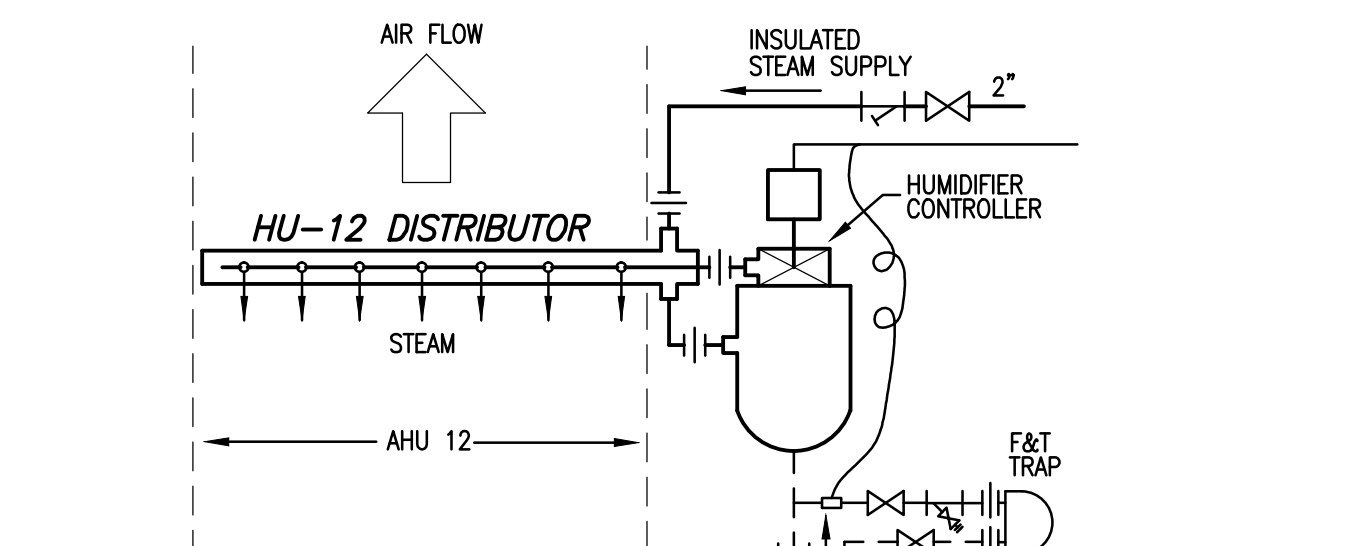
**10 2 TIER HOT WATER RADIATION**  
H501 N.T.S.



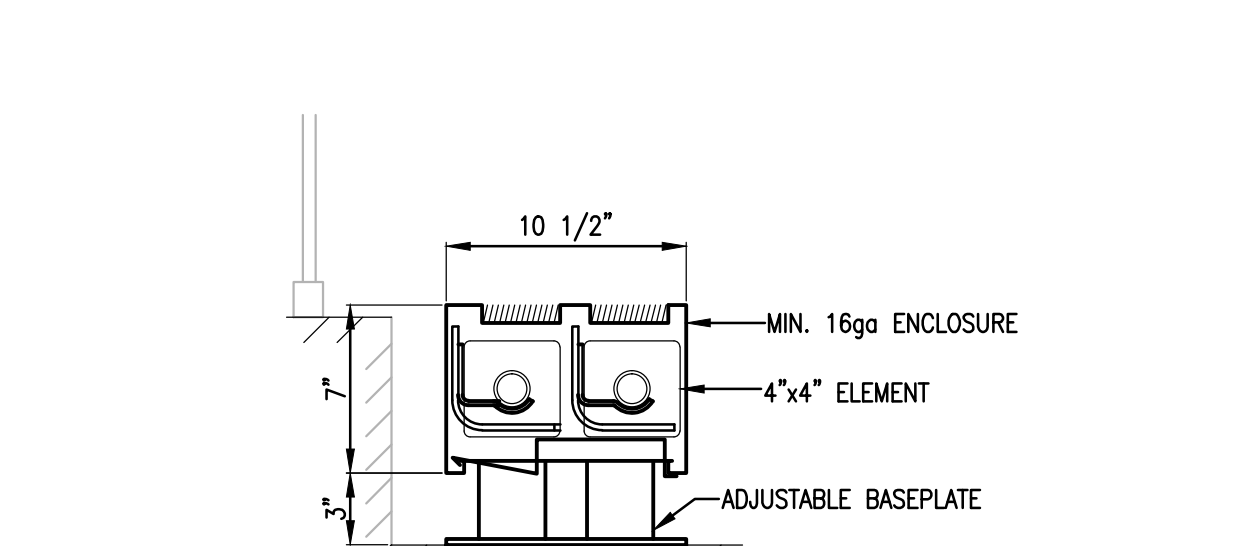
**11 BRAZED PLATE HEAT EXCHANGER**  
H501 N.T.S.



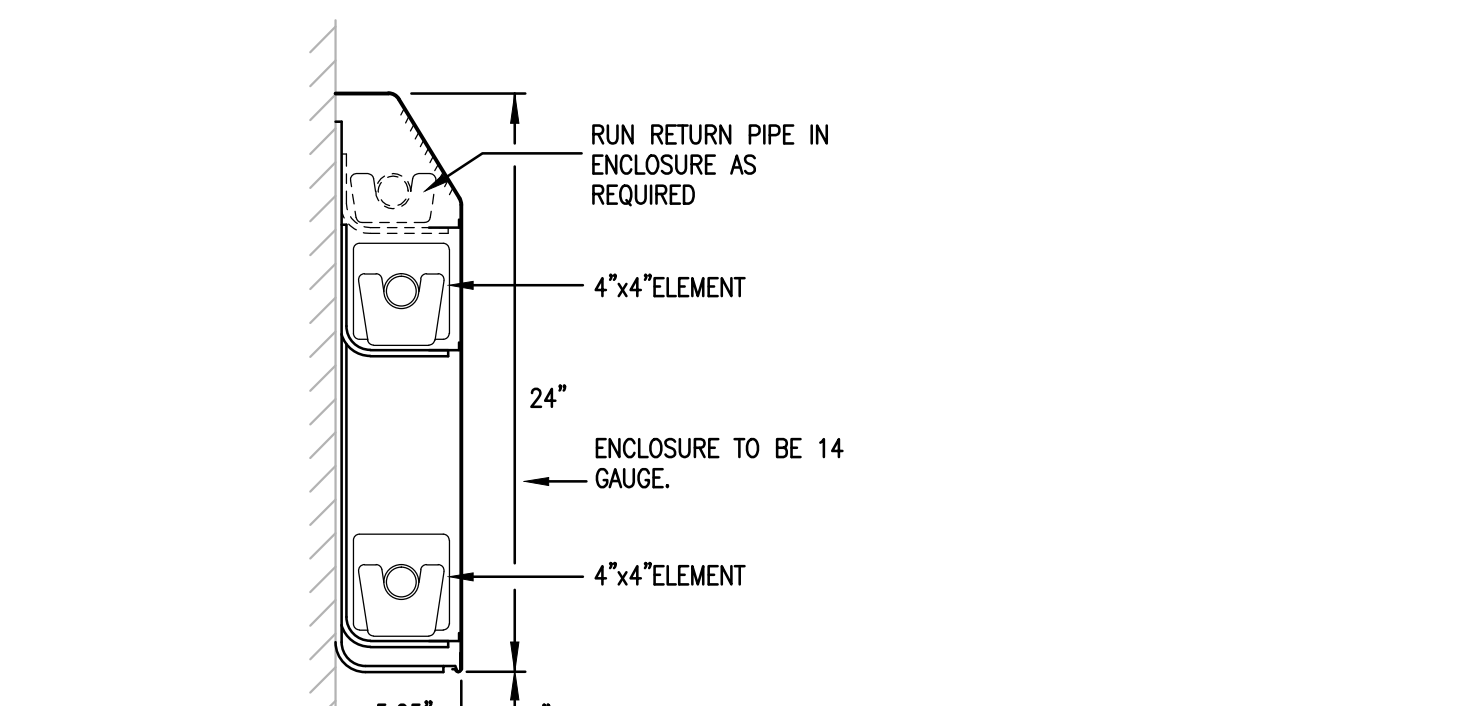
**12 STEAM TO STEAM HUMIDIFIER DETAIL**  
H501 N.T.S.



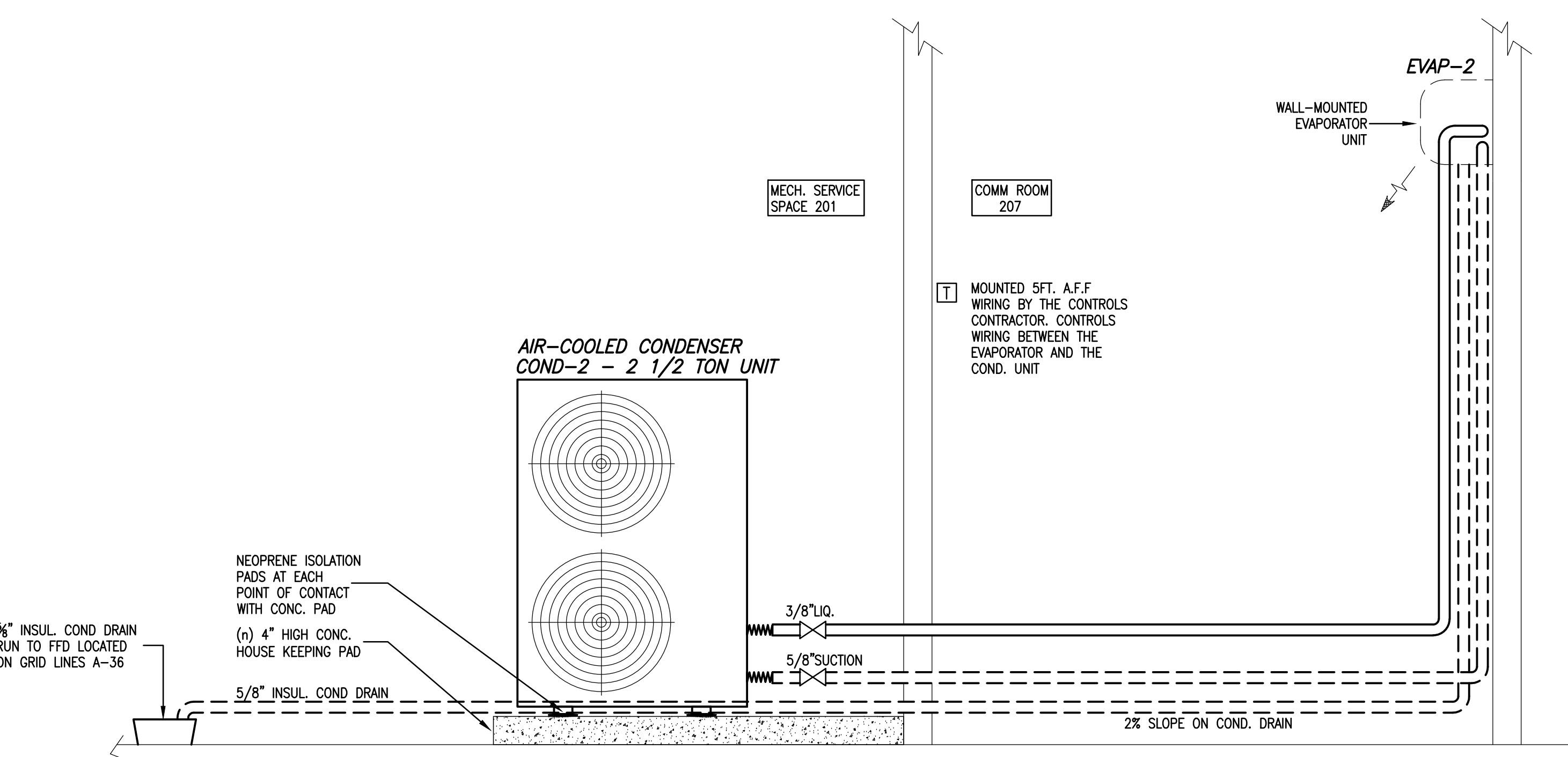
**13 STEAM HUMIDIFIER SCHEMATIC**  
H501 N.T.S.



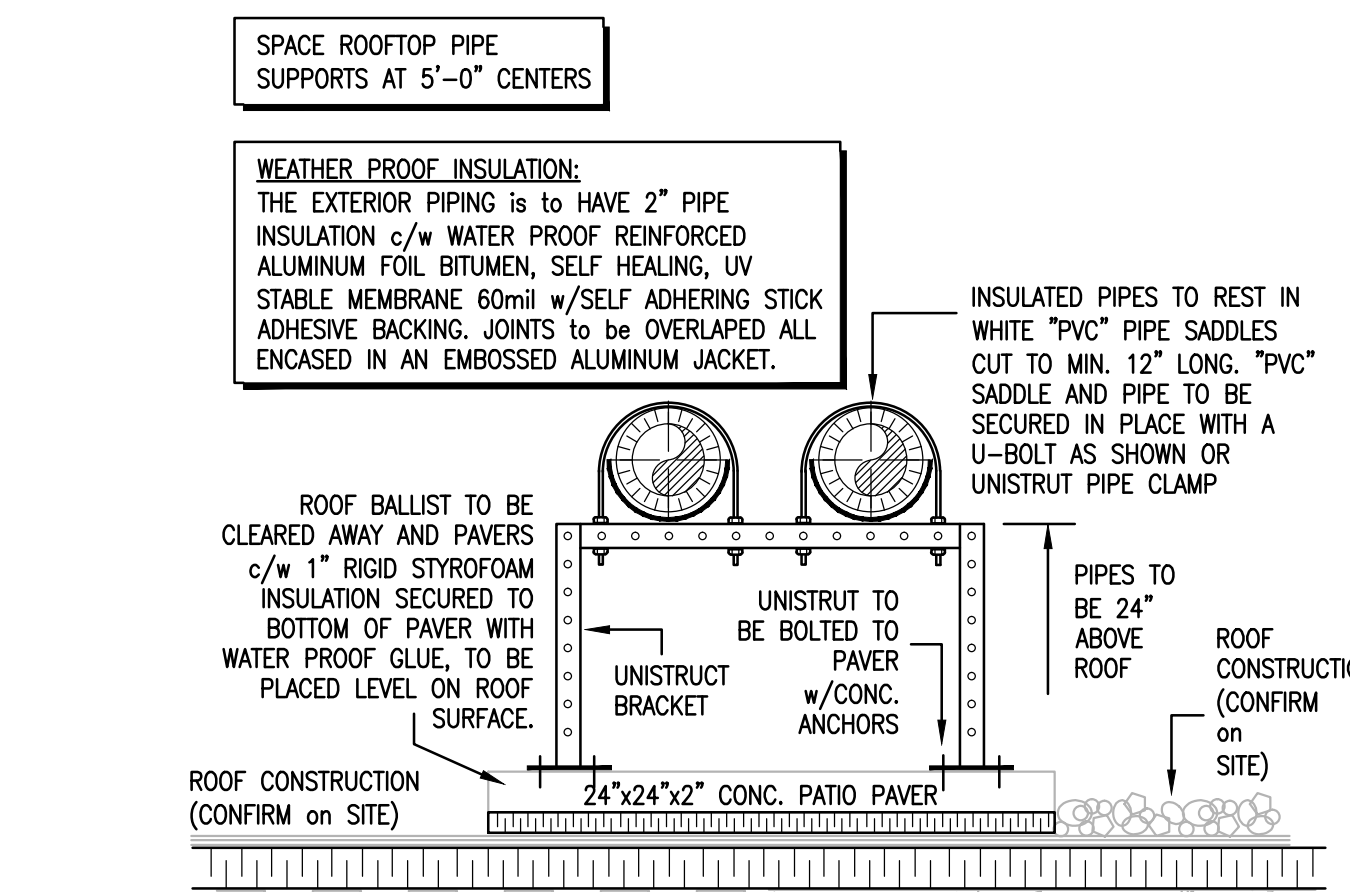
**14 TYPE "A" HOT WATER RADIATION**  
H501 N.T.S.



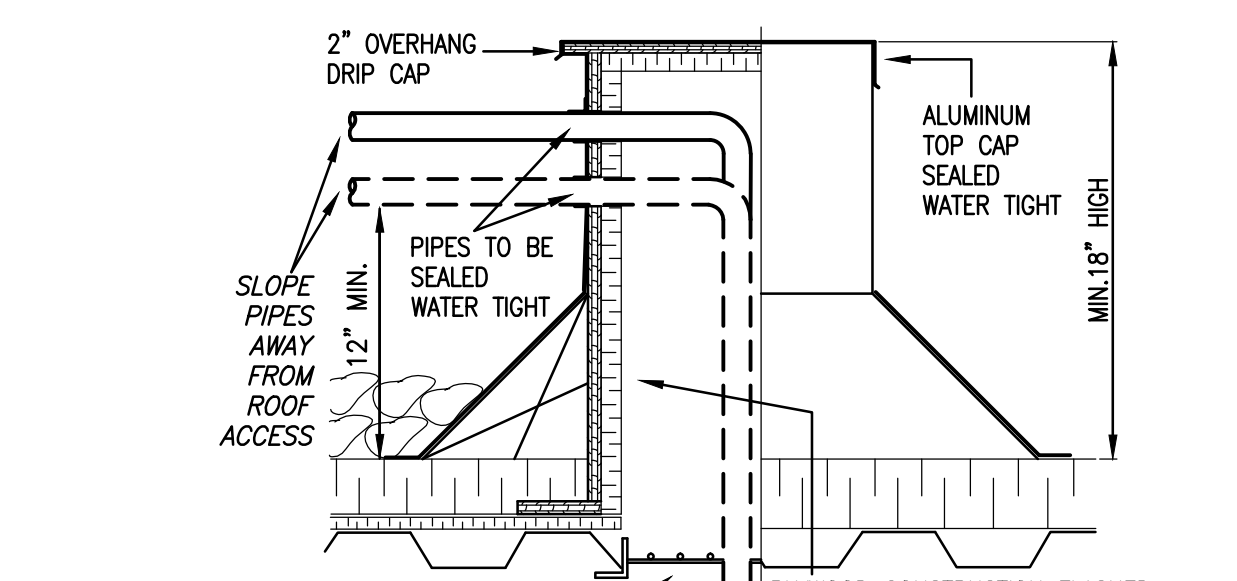
**15 TYPE "B" HOT WATER RADIATION**  
H501 N.T.S.



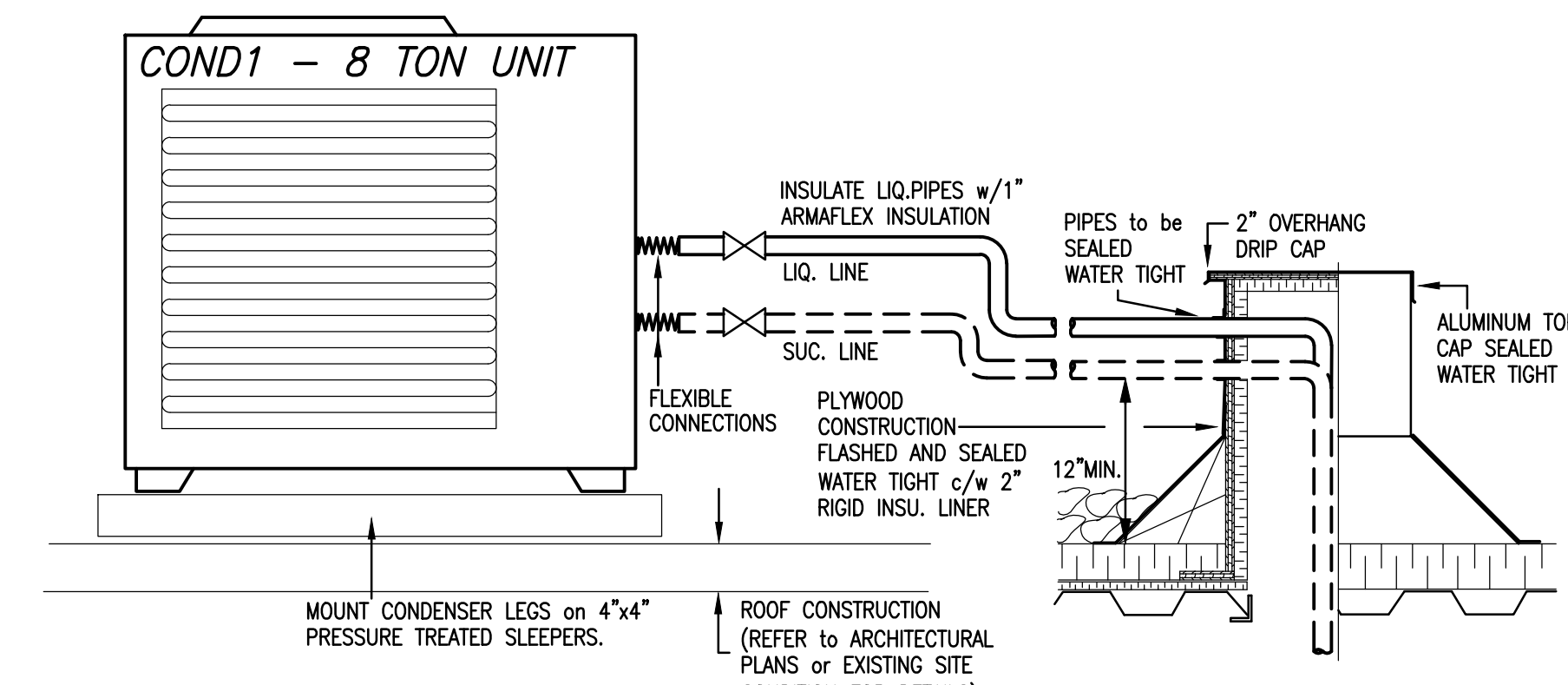
**16 AC-1 COMM ROOM 207**  
H501 N.T.S.



**17 ROOFTOP PIPE SUPPORT**  
H501 N.T.S.

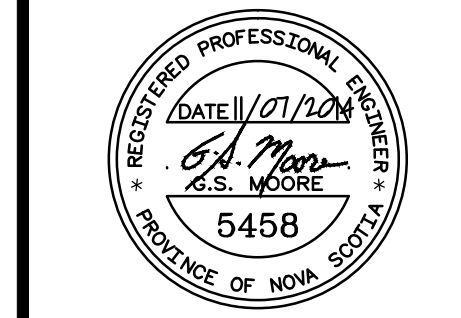


**18 ROOFTOP PIPE ACCESS**  
H501 N.T.S.



**19 CONDENSER UNIT ROOF PIPING DETAIL**  
H501 N.T.S.

IMPERIAL SCALE DRAWING  
FIRST FLOOR ELEV. 00.00m



F.C. O'Neill, Engineer & Architect  
1259 Dundas Street West, Toronto, ON M6J 1X6  
Tel: 416-300-0656



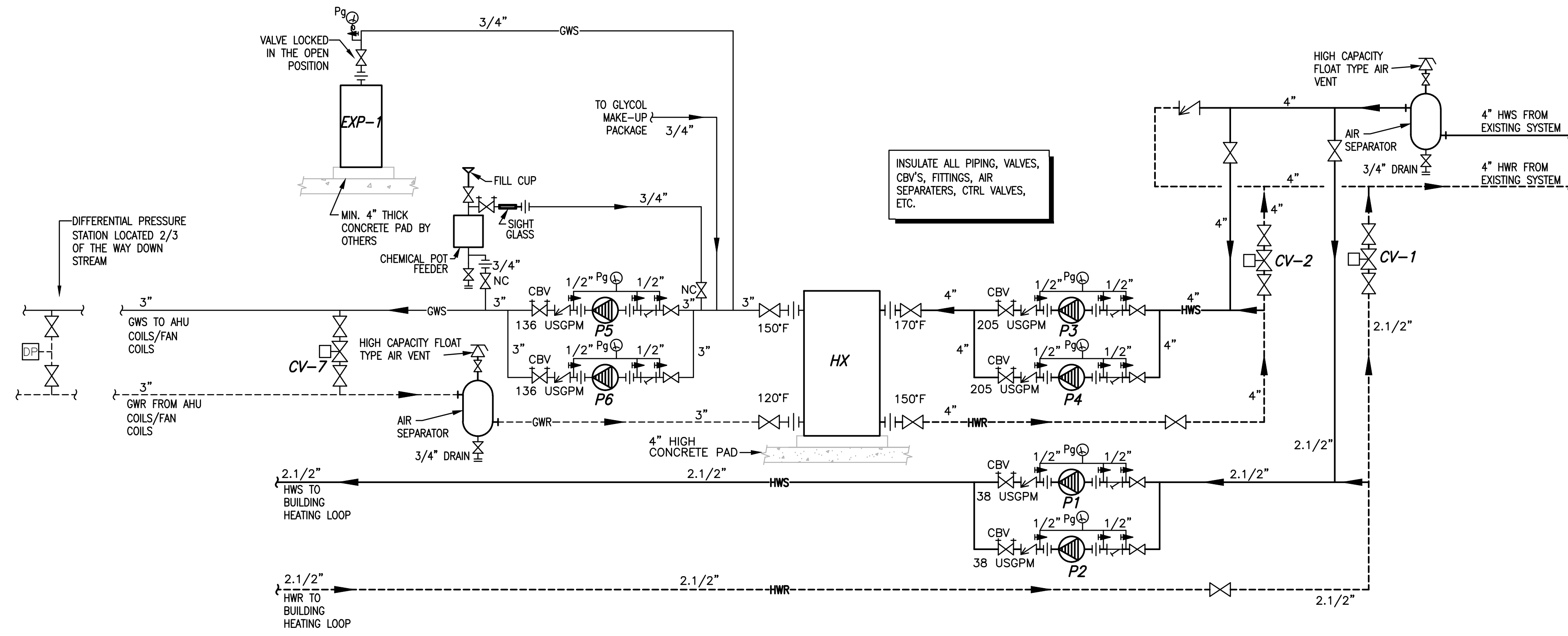
Luc Bouliane Architect Inc + David J Agro Architect Inc + Michael Grunsky Architect Inc  
1259 Dundas Street West, Toronto, M6J 1X6 Tel: 416-300-0656

PROJECT NO: 13-005  
DRAWN BY: AS NOTED  
CHECKED BY: NGB  
DATE: Jan. 15/2014

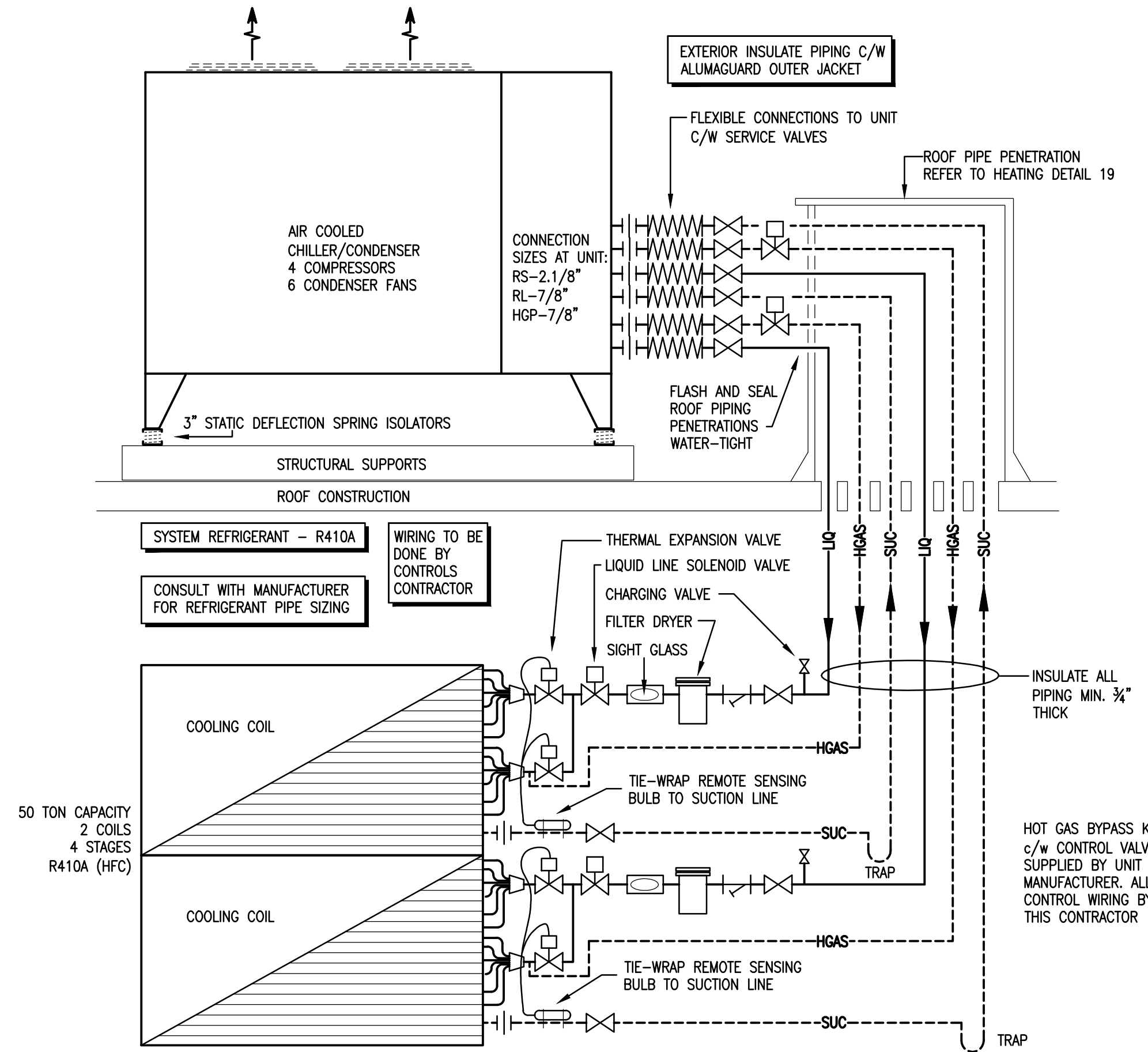
PIER 21  
HEATING DETAILS

H501





1 HOT WATER/GLYCOL PIPING WATER SCHEMATIC  
H502 N.T.S.



2 AHU12 - DX/REFRIGERATION PIPING SCHEMATIC  
H502 N.T.S.

RADIATION SCHEDULE																			
DES	TYPE	MANUF.	MODEL	H	D	L	CAP. (BTU/Hr)	EWT	LWT	ELEMENT SIZE (IN.)	ROW FLOW (USGPM)	WPD	CFM	FORCED AIR RPM	HP	POWER	COMMENTS		
A	DOUBLE PRESSURE	ENG AIR	WF-2A-DW	10	10.5	VARIES	1706	VARIES	170	150	4"x4"	2	VARIES	VARIES	-	-	SEED AT 65F. EAT. C/A FROM HIGH 4' ROOMS WIDE.		
B	WALL FAN	ENG AIR	WF-1A-24	24	5	VARIES	1209	VARIES	170	150	4"x4"	2	VARIES	VARIES	-	-	SEED AT 65F. EAT. SURFACE MOUNT COOL FAN		
C	FORCED FLOW	ENG AIR	CUH-6	28	9.5	38	-	37,505	170	150	-	-	2.35	0.925	600	1075	1/20	120/1/60	
D	UNITARY	ENG AIR	H1	19.5	18.5	24	-	26,700	170	150	-	-	2.75	0.95	550	1500	1/20	120/1/60	
E	EXHAUST	-	-	-	-	-	-	36,000	-	-	-	-	-	-	-	-	-	120/1/60	HORIZONTAL
F	EXHAUST	-	-	-	-	-	-	37,400	-	-	-	-	-	-	-	-	-	120/1/60	VERTICAL

MODULATING CONTROL VALVE SCHEDULE																	
DES.	LOCATION	SERVING	MANUF.	MODEL	PIPE SIZE	VALVE SIZE	STEAM			FLUID			CALC. VALVE CV	REMARKS			
							PPH	PSI	PD	USGPM	PD (PSIG)	PD					
CV-1	MECHANICAL MEZZANINE	BLDG HEATING	BELIMO	G232	2 1/2"	1 1/4"							38	3.61	27	20	WATER 2-WAY
CV-2	MECHANICAL MEZZANINE	HEAT EXCHANGER HOT WATER COIL	BELIMO	G680C-250	4"	3"							205	5.19	145	90	WATER 2-WAY
CV-3	MECHANICAL MEZZANINE	HOT WATER COIL	BELIMO	G665C-250	4"	2 1/2"							94.3	2.1	67	65	20R. P.C. 2-WAY
CV-4	MECHANICAL MEZZANINE	HOT WATER COIL	BELIMO	G250	3"	2"							78.7	3.87	56	65	20R. P.C. 2-WAY
CV-5	MECHANICAL MEZZANINE	HOT WATER COIL	BELIMO	G240	3"	1 1/2"							41.7	2.22	55.6	40	20R. P.C. 2-WAY
CV-6	MECHANICAL MEZZANINE	CHILLED WATER COIL	BELIMO	G665C-250	4"	2 1/2"							135	4.31	95	65	20R. P.C. 2-WAY
CV-7	MECHANICAL MEZZANINE	PLUMB GLASS HEAT BRASS VALVE	BELIMO	G232	2"	1 1/4"							34	2.89	24	20	40R. P.C., 2-WAY
CV-8	LEVEL 2 SOUTH ELEVATOR MECH. ROOM	BOILER COIL	BELIMO	G214	1"	1/2"							4.5	4.18	3.18	2.2	WATER 2-WAY
CV-9	LEVEL 2 SOUTH ELEVATOR MECH. ROOM	BOILER COIL	BELIMO	G680C-250	3"	3"							175	3.78	124	90	WATER 2-WAY

PLATE & FRAME HEAT EXCHANGER															
DES.	LOCATION	MANUF.	MODEL	No. OF PLATES	SIDE #1			SIDE #2			REMARKS				
					FLUID	TEMP. IN	TEMP. OUT	FLOW	PD (FT)	FLUID		TEMP. IN	TEMP. OUT	FLOW	PD (FT)
HX1	MECH MEZZ	XYLEM	P22	19	WATER	170	150	205	19.05	GLY	120	150	136	8.42	

STEAM-TO-STEAM HUMIDIFIER SCHEDULE													
DES.	LOCATION	SYSTEM	MANUF.	MODEL	AIRFLOW (CFM)	STEAM PRESS. (PSIG)	CAPACITY (PPH)	AHU SIZE (IN.)	DISPERSION TYPE	SOURCE (PSIG)	COMMENTS		
HUT2	MECHANICAL MEZZANINE	DRY-STEAM	STEMS-100C	16625	7	psig	1.31	112"x64"	MANIFOLD	7	INSULATED CABINET, C/W STEEL SUPPORT STAND.		

EXPANSION TANK SCHEDULE													
DES.	LOCATION	SERVING	MANUF.	MODEL	TOTAL VOL. (U.S. GAL.)	ACCEPT. VOL. (U.S. GAL.)	MIN. TEMP. (°F)	MAX. TEMP. (°F)	PRESS. (PSIG)	SIZE (IN.)	LENGTH		
EXP1	MECH MEZZANINE	40R. GLYCOL/WATER LOOP	TACO	CX-84	23	10	40	150	12	30	16.5	37	
ET.H4	MECH MEZZANINE	HEATING LOOP	TACO	CX-350	92	41	40	170	15	30	24.5	60	
ET.C	MECH MEZZANINE	CHILLER LOOP	TACO	CX-30	8	5	40	55	12	30	14.5	22.5	

PUMP SCHEDULE													
DES.	LOCATION	SERVING	TYPE	MANUF.	MODEL	CAP. (USGPM)	HEAD (FT)	FLUID	RPM	ELECTRICAL HP	WOLTS/PH	COMMENTS	
P1	MECH MEZZANINE	DISTRIBUTION	INLINE	B&G	SERIES 80	38	40	WATER	1750	1.5	575/3	PREM. EFF. MOTOR; ODP MOTOR	
P2	MECH MEZZANINE	HWS DIST	INLINE	B&G	SERIES 80	38	40	WATER	1750	1.5	575/3	PREM. EFF. MOTOR; ODP MOTOR	
P3	MECH MEZZANINE	HWS TO HX1	INLINE	B&G	SERIES 80	205	38	WATER	1750	3	575/3	PREM. EFF. MOTOR; ODP MOTOR	
P4	MECH MEZZANINE	HWS TO HX1	INLINE	B&G	SERIES 80	205	38	WATER	1750	3	575/3	PREM. EFF. MOTOR; ODP MOTOR	
P5	MECH MEZZANINE	CHS TO AHU'S	INLINE	B&G	SERIES 80	136	45	40R.P.G.	1750	3	575/3	PREM. EFF. MOTOR; ODP MOTOR	
P6	MECH MEZZANINE	CHS TO AHU'S	INLINE	B&G	SERIES 80	136	45	40R.P.G.	1750	3	575/3	PREM. EFF. MOTOR; ODP MOTOR	
PA03A	MECH MEZZANINE	PRIMARY HEATING LOOP	INLINE	B&G	SERIES 80	429	30	WATER	1750	5	575/3	PREM. EFF. MOTOR; ODP MOTOR	
PA03B	MECH MEZZANINE	LOOP STAND BY	INLINE	B&G	SERIES 80	429	30	WATER	1750	5	575/3	PREM. EFF. MOTOR; ODP MOTOR	
PA09A	MECH MEZZANINE	PRIMARY COOLING LOOP	INLINE	B&G	SERIES 80	672	45	40R.P.G.	1750	15	575/3	PREM. EFF. MOTOR; ODP MOTOR	
PA09B	MECH MEZZANINE	LOOP STAND BY	INLINE	B&G	SERIES 80	672	45	40R.P.G.	1750	15	575/3	PREM. EFF. MOTOR; ODP MOTOR	
PA11A	MECH MEZZANINE	BOILER HEATING LOOP	INLINE	B&G	SERIES 80	175	30	WATER	1750	3	575/3	PREM. EFF. MOTOR; ODP MOTOR	
PA11B	MECH MEZZANINE	LOOP STAND BY	INLINE	B&G	SERIES 80	175	30	WATER	1750	3	575/3	PREM. EFF. MOTOR; ODP MOTOR	
PA12	MECH MEZZANINE	CHILLER COOLING LOOP	INLINE	B&G	SERIES 80	245	30	40R.P.G.	1750	3	575/3	PREM. EFF. MOTOR; ODP MOTOR	

NATURAL GAS-FIRED HOT WATER BOILER	
TAG	DESCRIPTION
(e)B1 (e)B2	EXISTING BOILERS & BURNERS TO REMAIN
(n)B3	NEW BOILER AND BURNER VESSMANN VITOCROSSA HIGH EFF. CONDENSING TYPE BOILER C13 SERIES MODEL C1-72, 2702 MMBH INPUT (NATURAL GAS) MIN. 2351 MMBH OUTPUT, 96.8% EFFICIENCY, 302.7 SQ.FT. S.S. HEAT EXCHANGER SURFACE AREA, 2100 WAT. HORSEPOWER, 59 (B) SOUND BOILER DIM. 85.1/2" LONG x 49" WIDE x 100" HIGH INCLUDING CONNECTIONS, 3015# (LESS BURNER) 5" S&R CONNECTIONS, 2 1/2" SAFETY, 1/2" FLUE. BOILER c/w S.S. COMBUSTION CHAMBER & HEAT EXCHANGER, 30 PSI SAFETY RELIEF VALVE, AIR VENT, PRESSURE GAUGE, LOW WATER OUT OFF, DRAIN VALVE, 4" INSULATED SHELL, BURNER MOUNTING PLATE c/w FULLY MODULATING WESPAHPT BURNER MODEL WM-610/3, LOW NOX OPERATION, NATURAL GAS, DIGITAL COMBUSTION MANAGER, ELECTRONIC IGNITION, IONIZATION ELECTRODES, FLAME SENSORS, SWING ARM GASING FOR SERVICE, FLAME GAUGE, ADJUSTABLE FLAME TUBE, DOUBLE GAS VALVES, 3360 RPM, 2.1HP, 575/3/60

AIR-COOLED CHILLER	
TAG	DESCRIPTION
(e)CHILLER.1 (e)CHILLER.2	EXISTING AIR-COOLED CHILLERS TO REMAIN
(n)CHILLER.3	NEW ROOFTOP AIR-COOLED SCROLL CHILLER MCGRAW MODEL A621000, DUAL CIRCUIT, R410A REFRIGERANT, 1122 MMBH (0.5 TON) CAPACITY, 122 KW INPUT POWER, 0 DEF. LOW AMBIENT, 9.4 EER, 233 COP (40R. GLYCOL), 18 FT WPD, EWT: 32F LWT: 42F, 30T AMBENT, 15.1 HPV EFF, 6000/3PH 183 MVA SINGLE POINT POWER CONNECTION, 59 (B) SOUND PRESS. AT 250Hz, 61 (B) 4 TANDUM HERMETIC SCROLL COMPRESSORS, 3 STAGES (0-25-50-100), TEFLOON BEARINGS, (6) 2HP IMWR CARTE CONDENSER FANS w/IRIG GUARDS, REFR. SERVICE ISOLATION VALVES, FILTER DRYER, SOLENOID VALVE, SIGHT GLASS, THERMAL EXPANSION VALVE, S.S. PLATE EXCHANGER, WATER FLOW SWITCH, EVAPORATOR ELECTRIC COILING, UPPER AND LOWER SOUND LOUVERS, MICROTEC II DDC CONTROLLER w/OPTIONAL Boshel MSTR CARD DIM. 132" LONG, 88" WIDE, 100" HIGH, 6225#, 5" S&R CONNECTIONS c/w W.P. ELEC. DISCONNECT AND SEPARATE 120/1/60 DUPLEX GFCI SERVICE OUTLET 1 YEAR PARTS & LABOUR, 4 YEAR EXTENDED PARTS WARRANTY, 1 YEAR REFR. WARRANTY

HEATING EQUIPMENT	
TAG	DESCRIPTION
EWAP-2	DWGN AC WALL MOUNTED EVAPORATOR MODEL: FTXS30LVU 9 1/2"WIDE x 47 1/4" LONG x 13 3/8" DEEP, 38 LBS, 208/1/60. TOTAL COOLING CAPACITY 30.0 MMBH @ 2.8 W/ INPUT, SENSIBLE CAPACITY: 19.84 MMBH @ 80F DB/67F WB, 19.3 SEER. TOTAL HEATING CAPACITY 34.8 MMBH @ 3.9 W/ INPUT TOTAL MAX AIR FLOW 705 CFM, 37 (B) SOUND POWER LEVEL, 3/8" LIQUID CONN., 5/8" SUCTION CONNECTION PROVIDE UNIT c/w INTEGRAL ELECTRICAL DISCONNECT SWITCH, 7 YEAR COMPRESSOR WARRANTY AND 5 YEAR PARTS WARRANTY
COND-2	DWGN AC 2 1/2" CONDENSER, MODEL: RYX30LVU, 37"WIDE x 39"HIGH x 12 5/8" DEEP, 179 LBS, 208/1/60. AIRFLOW 2627 CFM, MIN. CIRCUIT AMPS (MCA) 19.5, INVERTER TYPE COMPRESSOR, 5/8" GAS CONNECTION, 1/2" LIQUID CONNECTION, SOUND POWER LEVEL 68(B). PROVIDE UNIT c/w INTEGRAL ELECTRICAL DISCONNECT SWITCH, 7 YEAR COMPRESSOR WARRANTY AND 5 YEAR PARTS WARRANTY SYSTEM INFO: R410A REFRIGERANT, COOLING OPERATION RANGE 14F-115F, HEATING OPERATION RANGE 5F-75F, MAXIMUM PIPE TOTAL LENGTH 98.4F. PROVIDE UNIT c/w INTEGRAL ELECTRICAL DISCONNECT SWITCH, 7 YEAR COMPRESSOR WARRANTY AND 5 YEAR PARTS WARRANTY NOTE: THIS UNIT POWERS THE WALL MOUNTED EVAPORATOR

HEATING LEGEND		
SYMBOL	DESCRIPTION	EXISTING
---	HEATING WATER SUPPLY	---
---	HEATING WATER RETURN	---
---	CHILLED WATER SUPPLY	---
---	CHILLED WATER RETURN	---
---	LOW PRESSURE STEAM	---
---	LOW PRESSURE CONDENSATE	---
---	CHILLED GLYCOL/WATER SUPPLY	---
---	CHILLED GLYCOL/WATER RETURN	---
---	GLYCOL/WATER SUPPLY	---
---	GLYCOL/WATER RETURN	---
---	PIPE DOWN (DN)	---
---	PIPE UP (UP)	---
---	GATE VALVE	---
---	CHECK VALVE	---
---	BALANCING VALVE	---
---	CONTROL VALVE (ELEC.)	---
---	THREE WAY MIXING VALVE (ELEC.)	---
---	PRESSURE REDUCING VALVE	---
---	STRAINER	---
---	T & P RELIEF VALVE	---
---	BLOW DOWN VALVE	---
---	MANUAL AIR VENT (M.A.V.)	---
---	AUTOMATIC AIR VENT (A.A.V.)	---
---	PRESSURE GAUGE	---
---	PRESSURE GAUGE c/w PETCOCK	---
---	TEMPERATURE GAUGE	---
---	TEMPERATURE DRAIN	---
---	VACUUM BREAKER	---
---	UNION	---
---	LINEAL CIRC. PUMP	---
---	FLOAT & THERMOSTATIC TRAP	---
---	SENSOR	---
---	HUMIDISTAT	---
---	THERMOSTAT	---
---	EQUIPMENT TAG	---
---	PIPE TO BE REMOVED	---

IMPERIAL SCALE DRAWING  
FIRST FLOOR ELEV. 00.00m

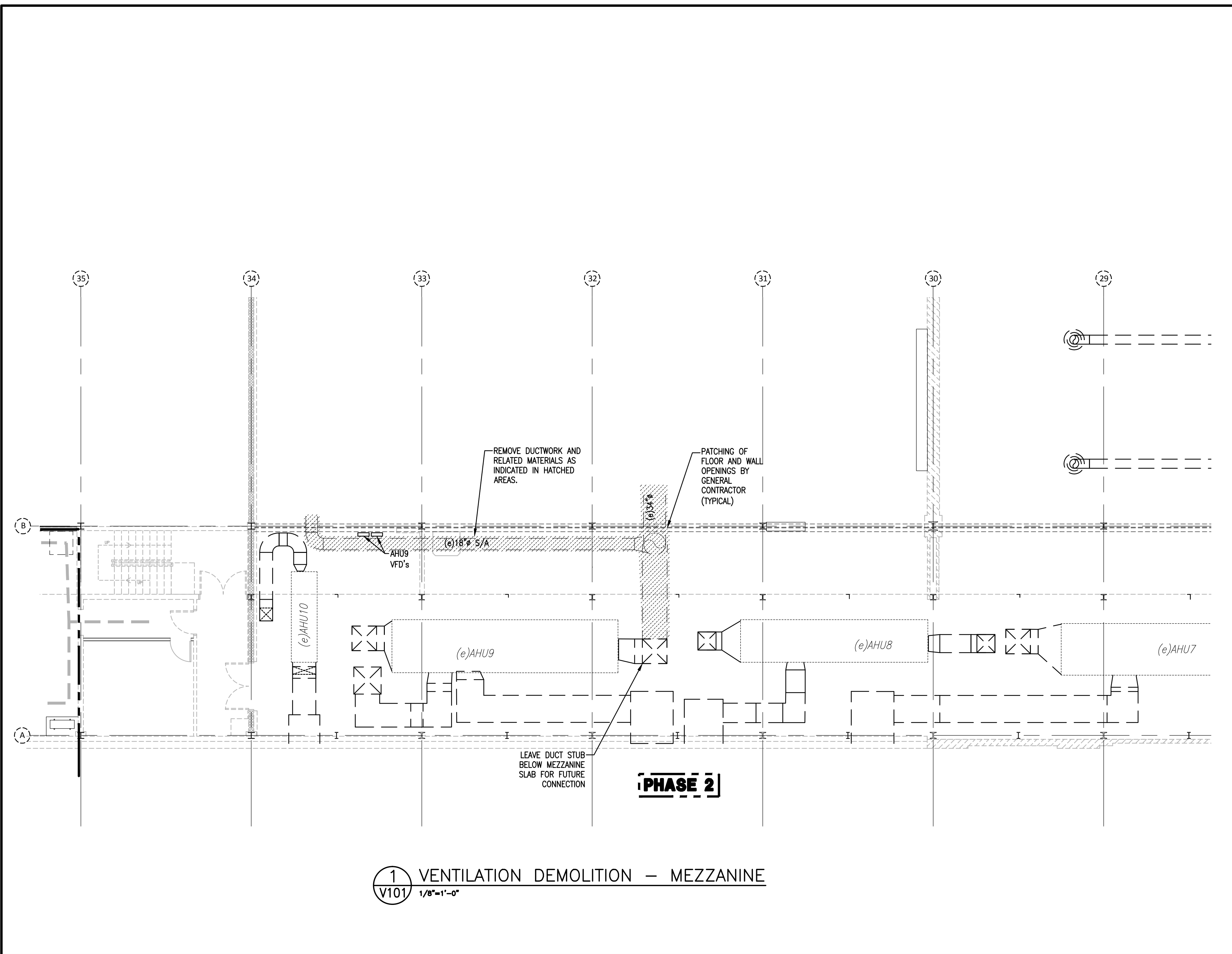
15.000  
AS NOTED  
NGS  
JAN. 15/2014

Luc Bouliane Architect Inc + David J Agro Architect Inc + Michael Grunsky Architect Inc  
1259 Dundas Street West, Toronto, M6J 1X6 Tel: 416 300 0656

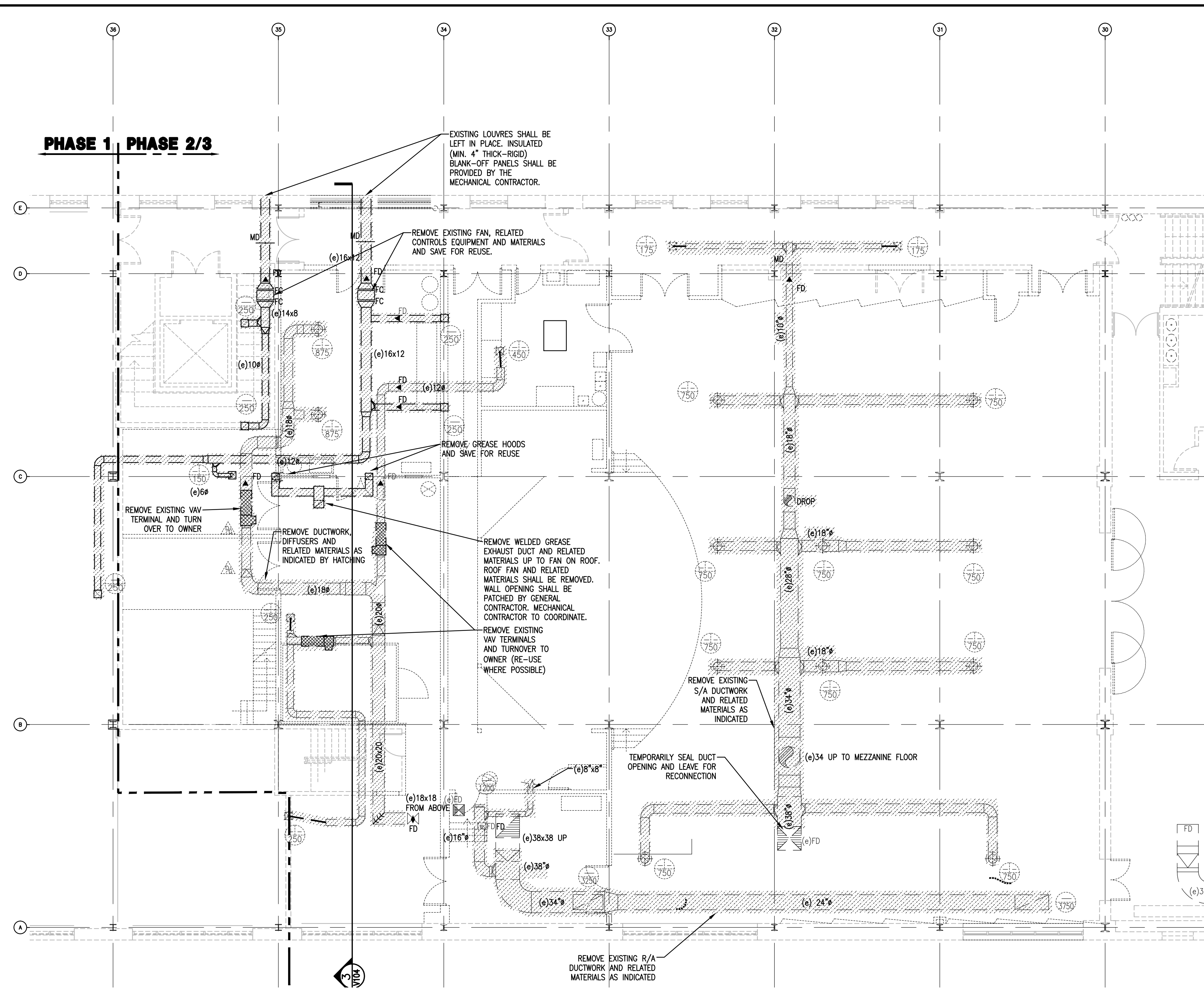
CANADIAN MUSEUM OF IMMIGRATION AT PIER 21

Project no: 15.000  
Scale: AS NOTED  
Drawn by: NGS  
Reviewed by: NGS  
Date: Jan. 15/2014

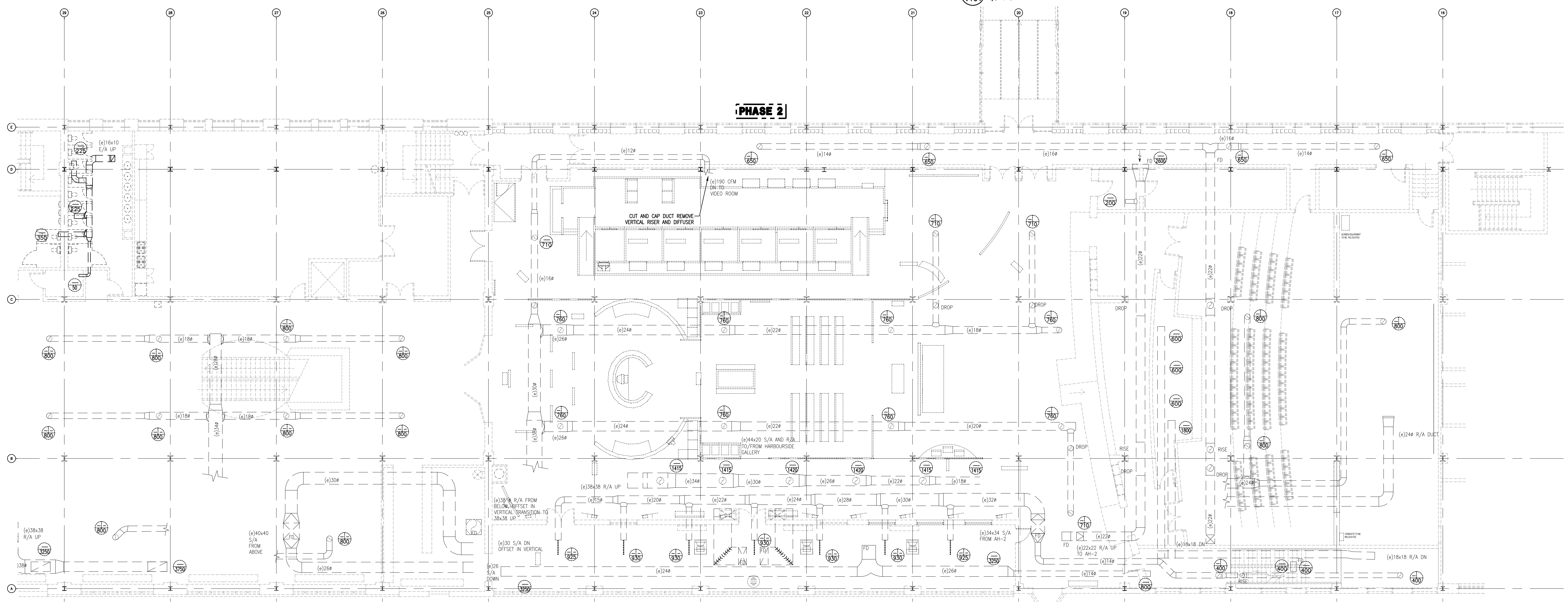




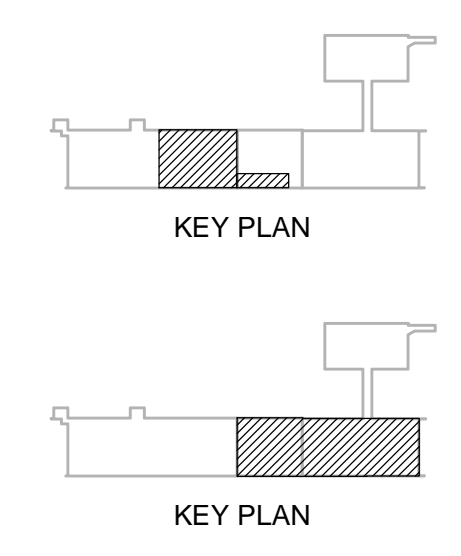
1 VENTILATION DEMOLITION - MEZZANINE  
V101 1/8"=1'-0"



2 VENTILATION DEMOLITION - LEVEL 2 SOUTH  
V101 1/8"=1'-0"



3 VENTILATION DEMOLITION - LEVEL 2 NORTH  
V101 1/8"=1'-0"



IMPERIAL SCALE DRAWING  
FIRST FLOOR ELEV. 00.00m

NO.	Issued / revised	DATE
1	Issued for Review	15 Jan 2014
2	Issued for Schematic	05 Feb 2014
3	Design	11 Apr 2014
4	Issued for Design	13 June 2014
5	Issued for Tender	11 July 2014

E.C. O'Neill, Scireen & Assoc's Limited  
Consulting Engineers  
Professional Engineers  
1100 West Beaver Creek Rd., Suite 200, Richmond Hill, ON L4B 1N2  
Tel: (905) 882-2222 Fax: (905) 882-2223  
www.ecosai.com

Luc Bouliane Architect Inc + David J Agro Architect Inc + Michael Grunsky Architect Inc  
1259 Dundas Street West, Toronto, M6J 1X6 Tel. 416 300 0656

CANADIAN MUSEUM OF IMMIGRATION AT PIER 21

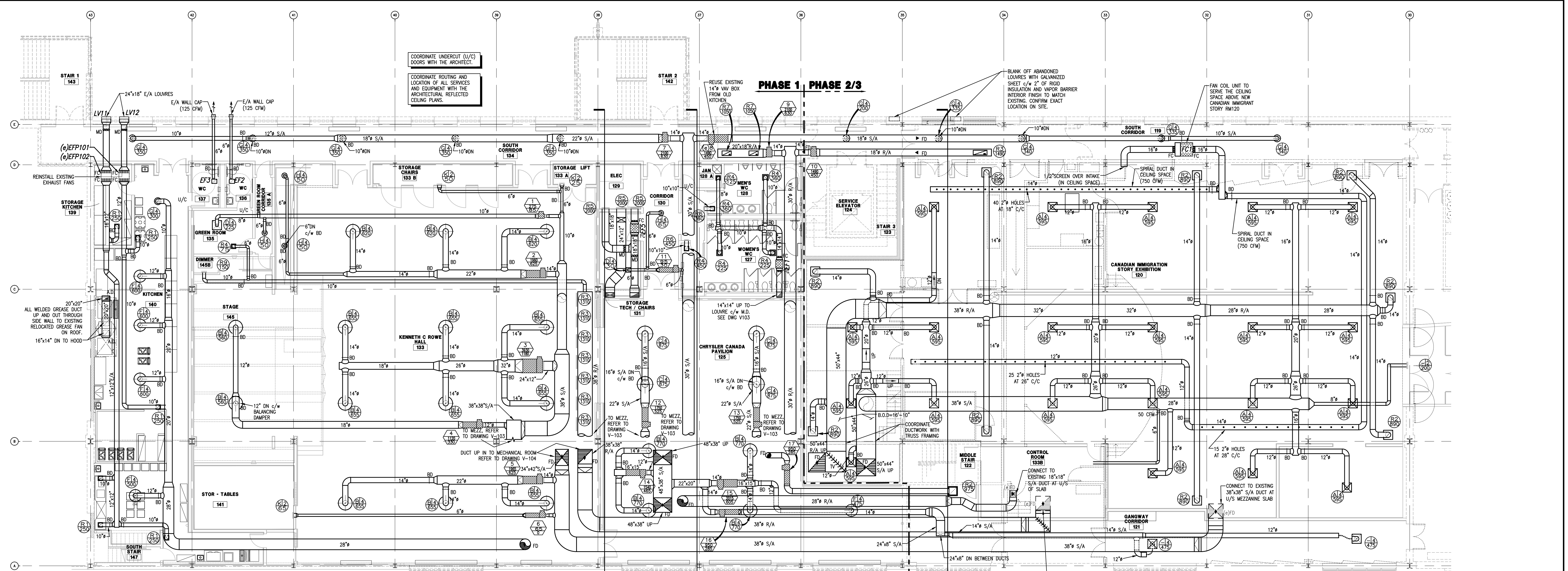
project no: 13-005  
scale: AS NOTED  
drawn by: NGB  
reviewed by: CSW  
date: Jan. 15/2014

PIER 21  
VENTILATION DEMOLITION  
LEVEL 2 and MEZZANINE

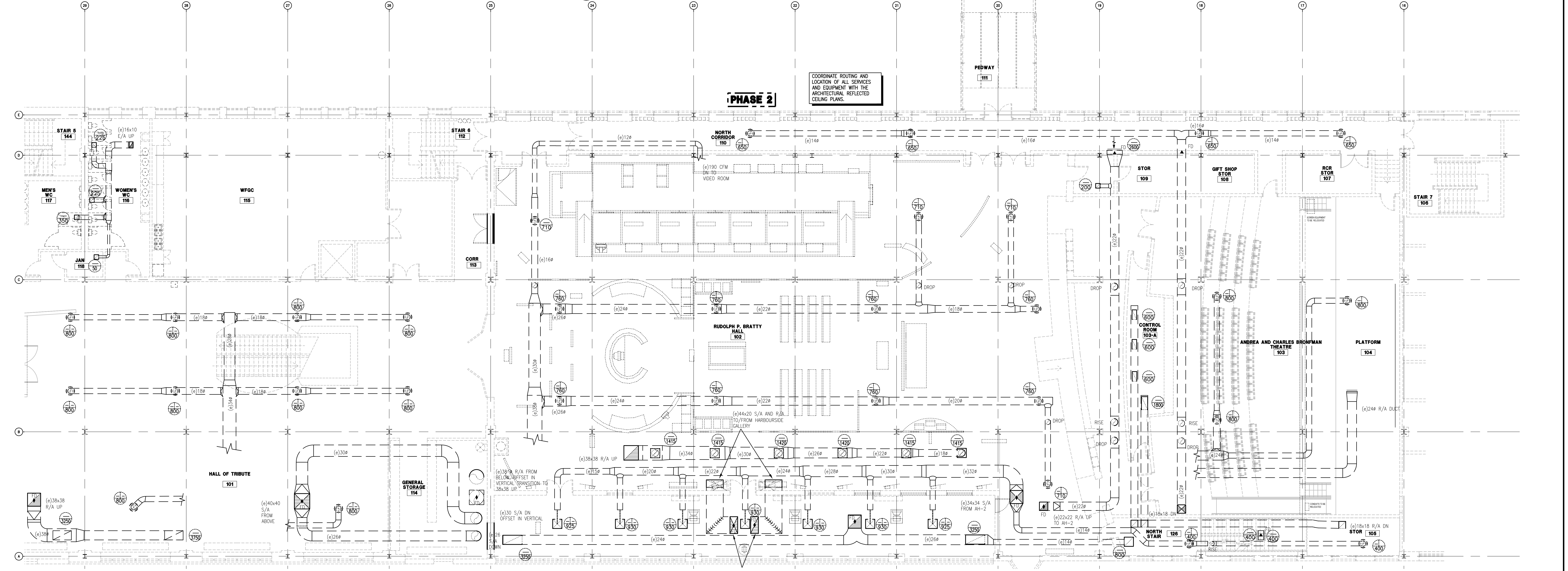
V101

Drawing V101 - Ventilation Demolition - Level 2 and Mezzanine.dwg was plotted 14/02/16, at time 5:38:27pm

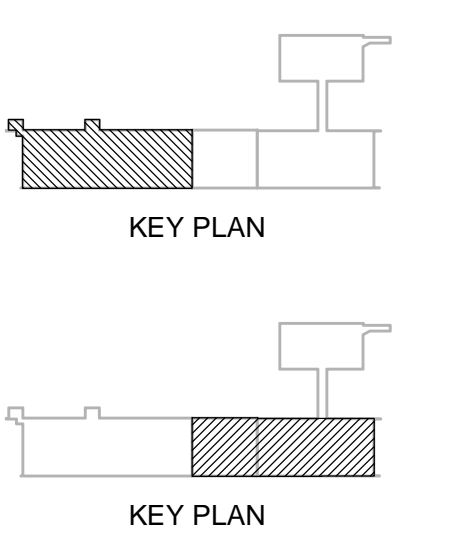




1 VENTILATION LAYOUT - LEVEL 2 SOUTH  
V102 1/8"=1'-0"



2 VENTILATION LAYOUT - LEVEL 2 NORTH  
V102 1/8"=1'-0"



IMPERIAL SCALE DRAWING  
FIRST FLOOR ELEV. 00.00m

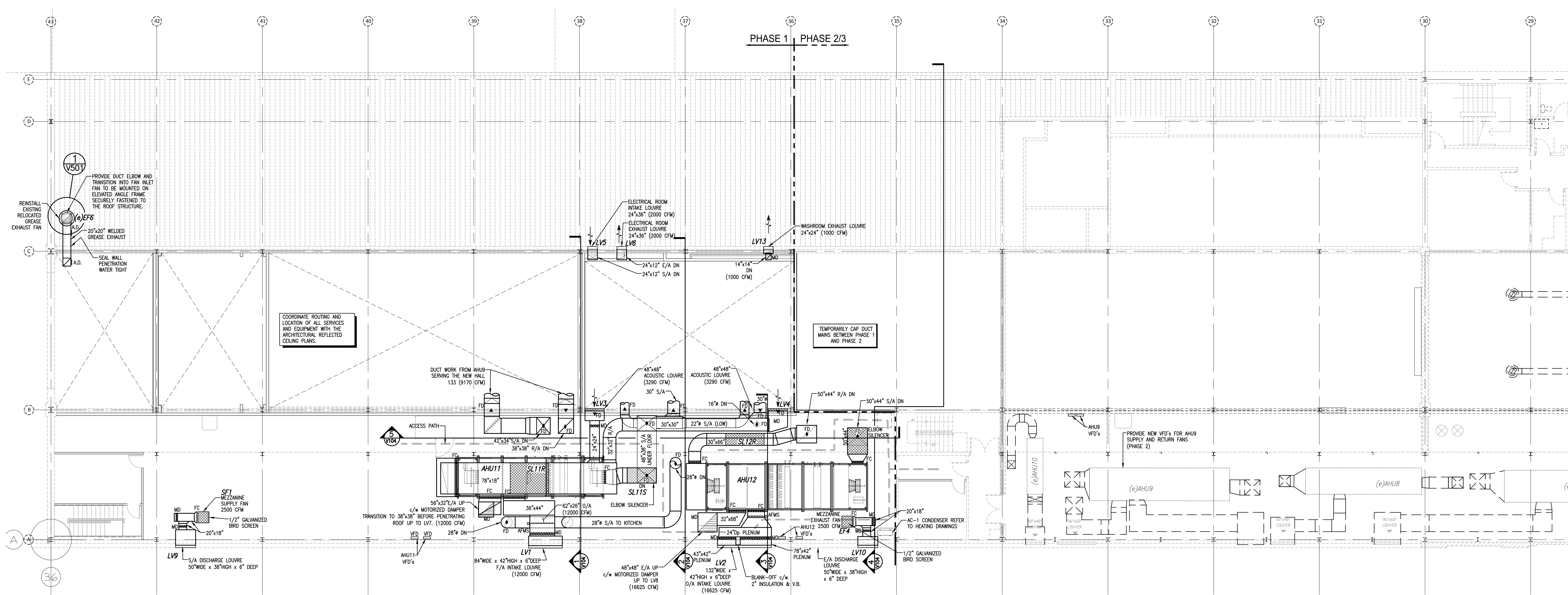
10. Issued / revised	date:
1. Issued for Review	15 Jan 2014
2. Issued for Schematic	05 Feb 2014
3. Issued for Design	11 Apr 2014
4. Issued for Tender	13 June 2014
5. Issued for Tender	11 July 2014

Professional Engineer  
5458  
E.C. O'Neill, Scireen & Assoc's Limited  
Consulting Engineers  
1100 West Beaver Creek Rd., Suite 100  
Richmond Hill, Ontario L4B 1P2  
Tel: (905) 709-8888  
www.ecosa.com

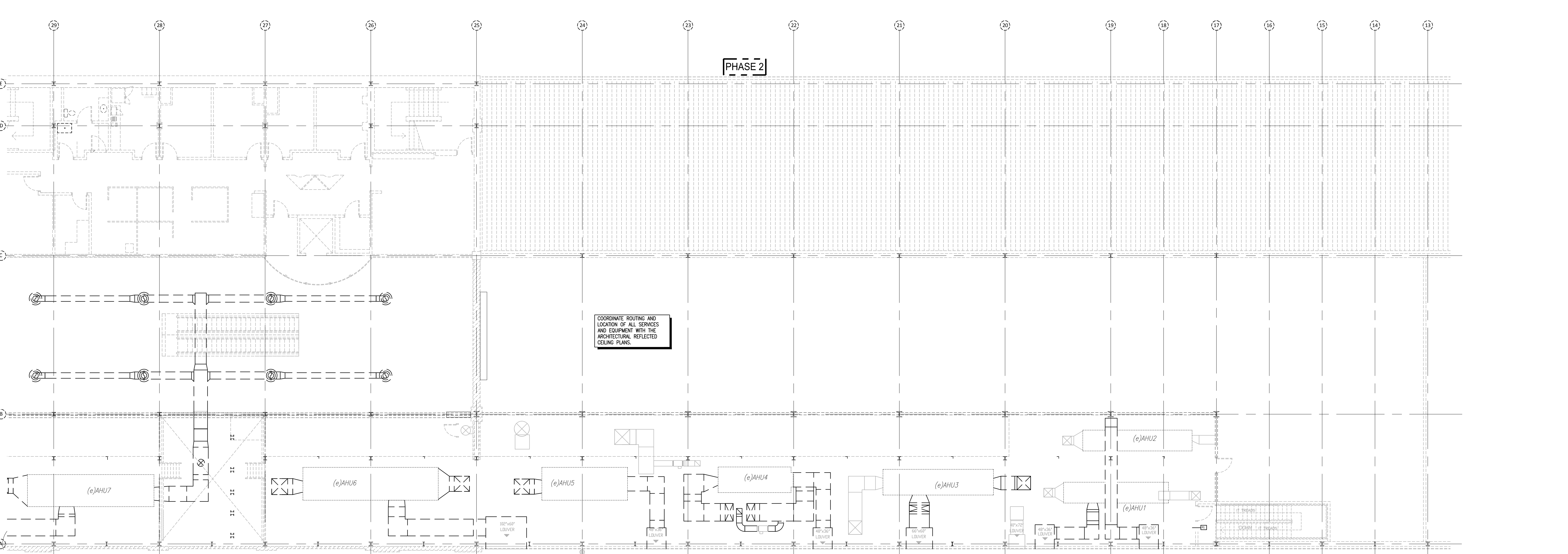
Luc Bouliane Architect Inc + David J Agro Architect Inc + Michael Grunsky Architect Inc  
1259 Dundas Street West, Toronto, M6J 1X6 Tel: 416 300 0656  
CANADIAN MUSEUM OF IMMIGRATION AT PIER 21

project no: 13-006  
scale: AS NOTED  
drawn by: HSN  
checked by: CSN  
date: Jan. 15/2014

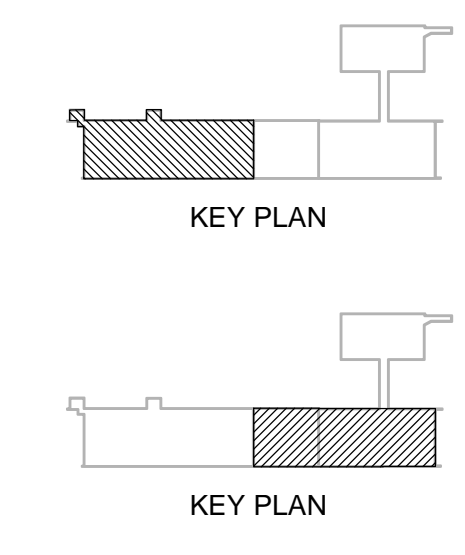




1 VENTILATION LAYOUT - MEZZANINE SOUTH  
1/8" = 1'-0"

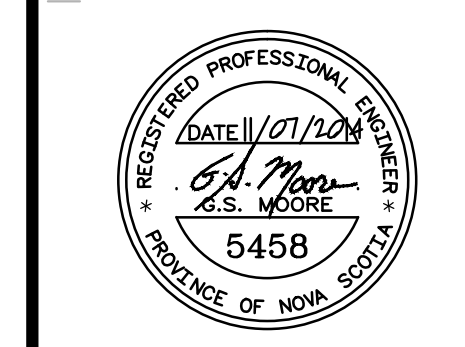


2 VENTILATION LAYOUT - MEZZANINE NORTH  
1/8" = 1'-0"



IMPERIAL SCALE DRAWING  
FIRST FLOOR ELEV. 00.00m

no.	Issued / revised	date
1	Issued for Review	15 Jan 2014
2	Issued for Schematic	05 Feb 2014
3	Issued for Design Development	11 April 2014
4	Issued for Tender	13 June 2014
5	Issued for Tender	11 July 2014



F.C. O'Halloran & Associates Limited  
11400 Yonge Street, Suite 200, Richmond Hill, Ontario L4B 1N7  
Tel: 905.709.2000 Fax: 905.709.2001  
www.fchoh.com



Luc Bouliane Architect Inc + David J Agro Architect Inc + Michael Grunsky Architect Inc  
1259 Dundas Street West, Toronto, M6J 1X6 Tel: 416 300 0656

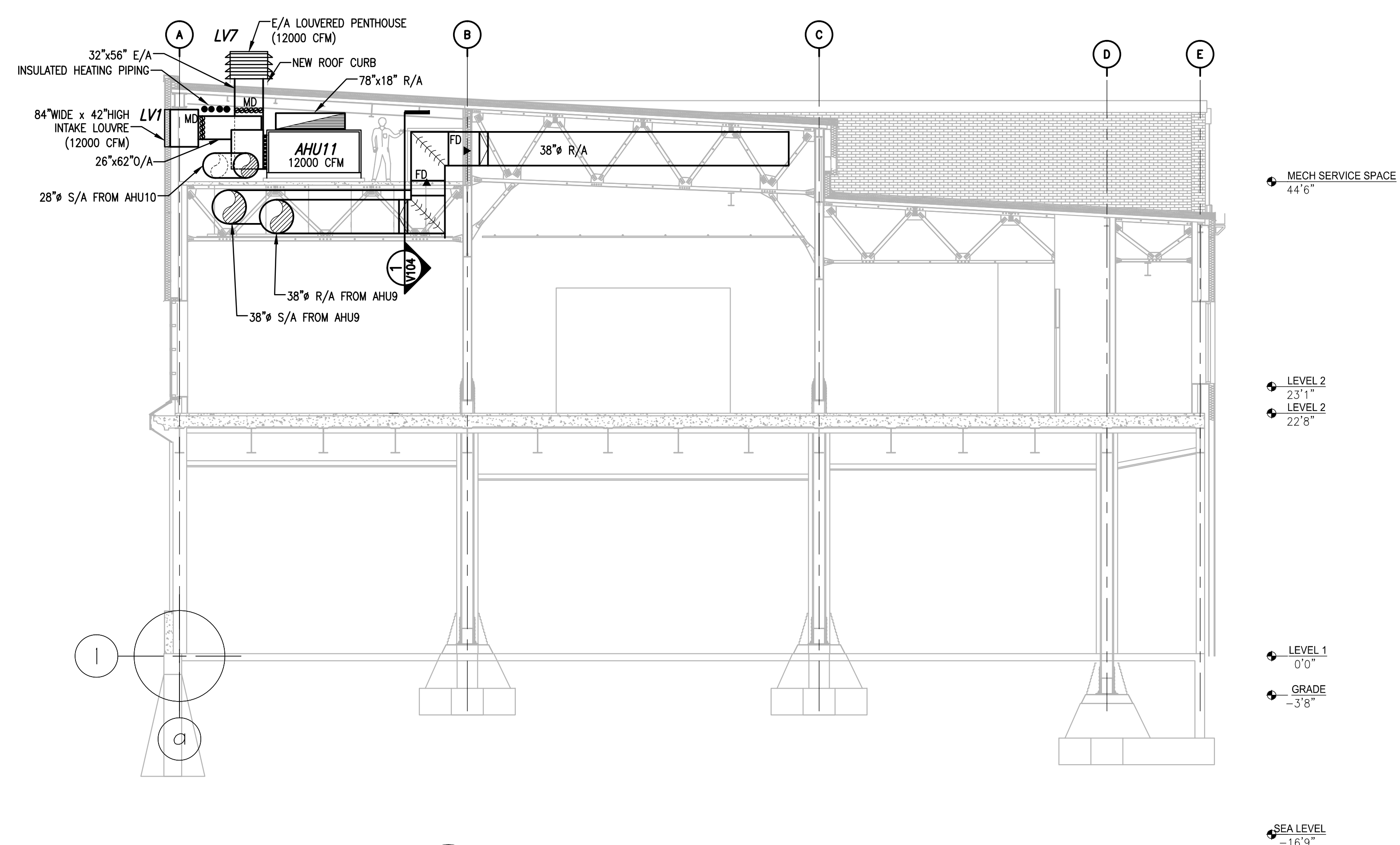
CANADIAN MUSEUM OF IMMIGRATION AT PIER 21

project no: 15008  
scale: AS NOTED  
drawn by: NGH  
checked by: CSK  
date: Jan 15 2014

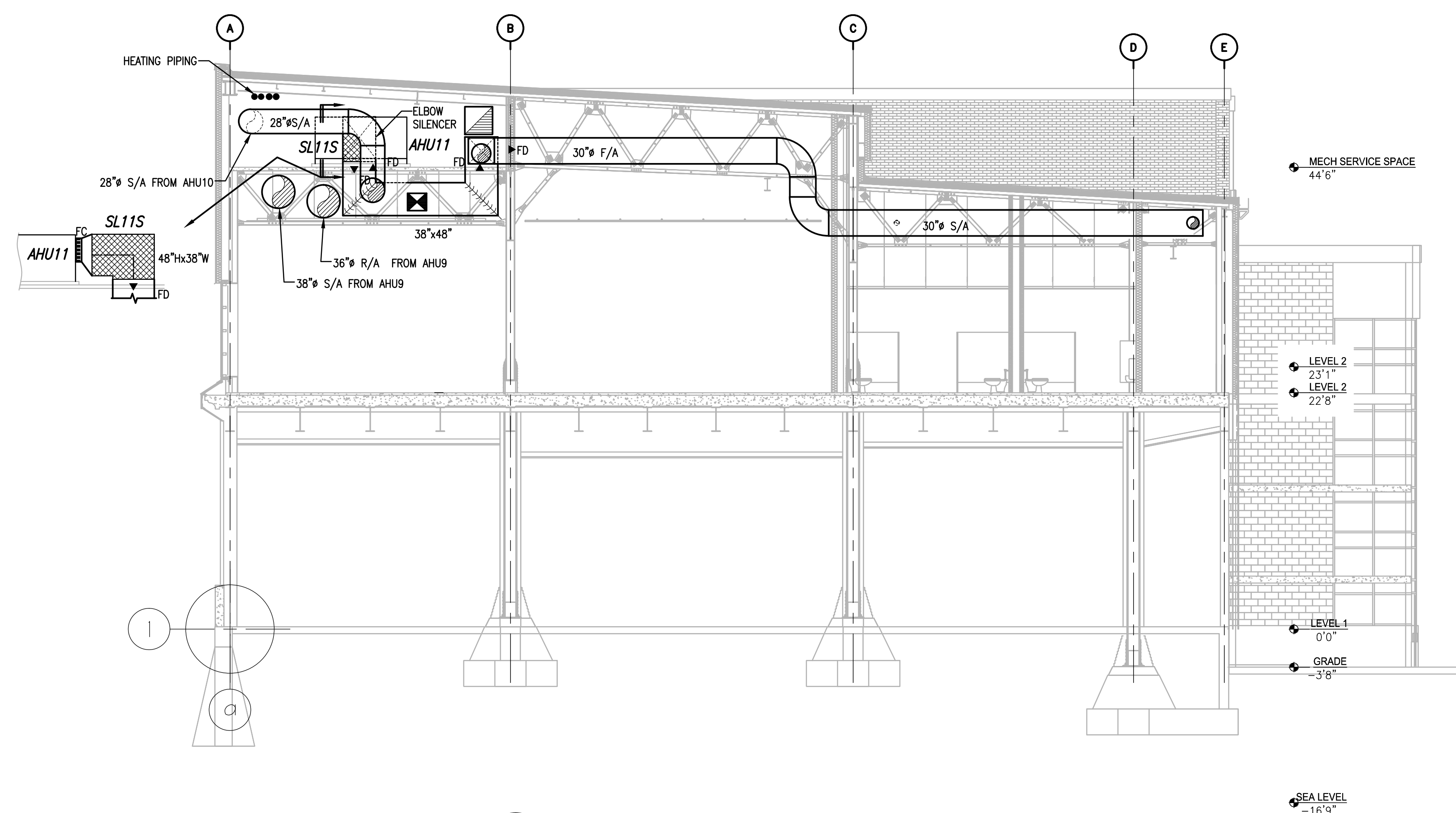
PIER 21  
VENTILATION LAYOUT  
MEZZANINE

V103

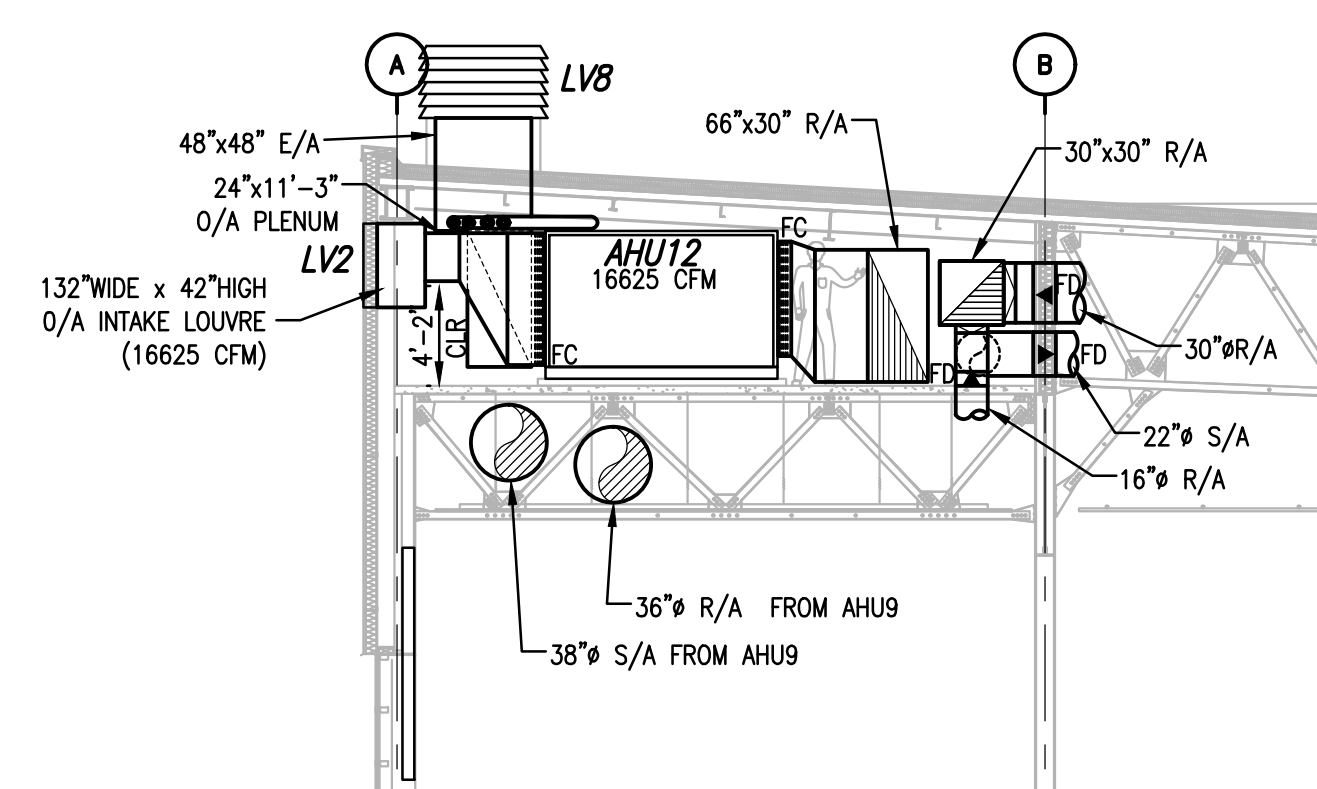




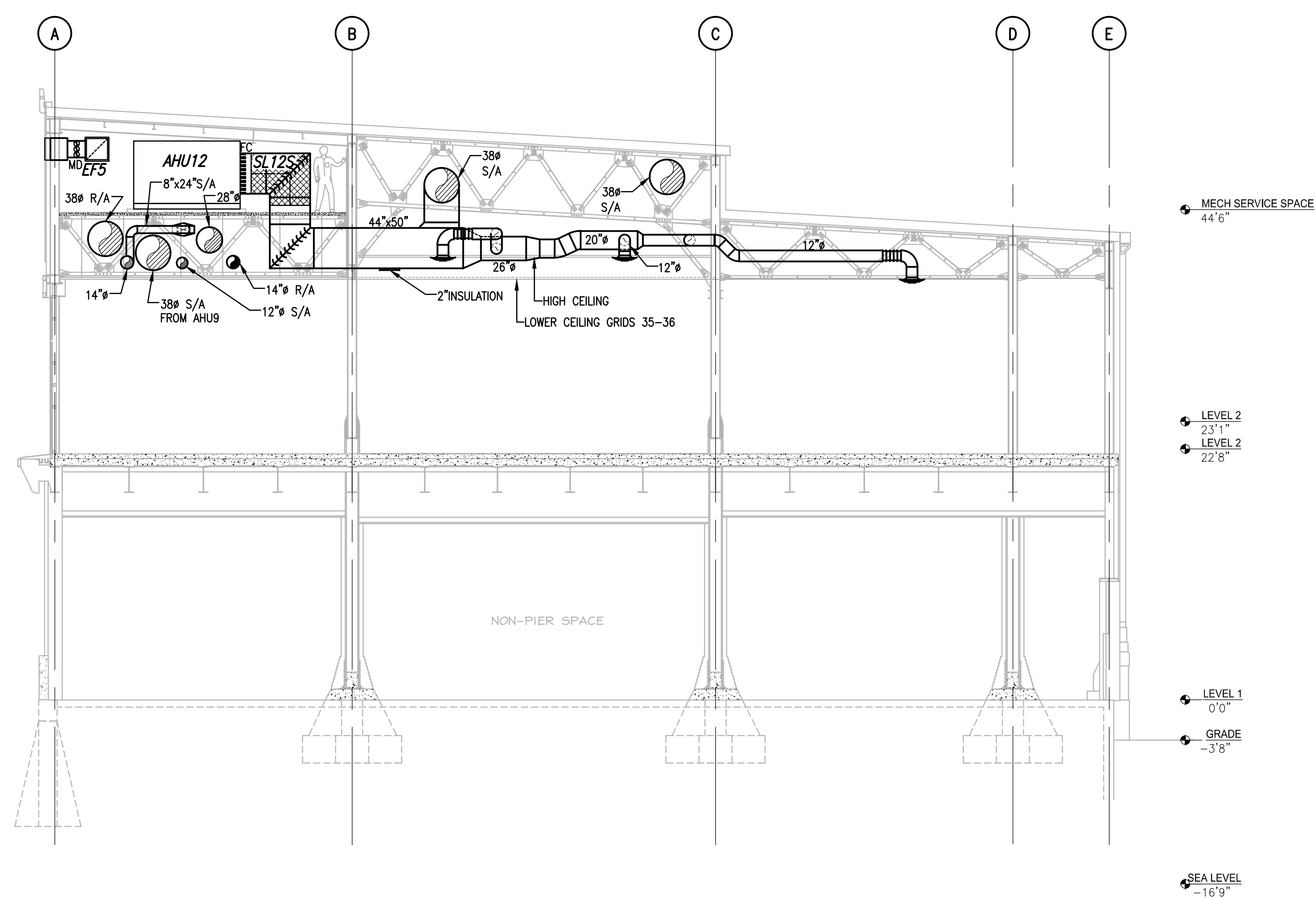
1 SECTION NEAR LINE 38  
V103 1/8"=1'-0"



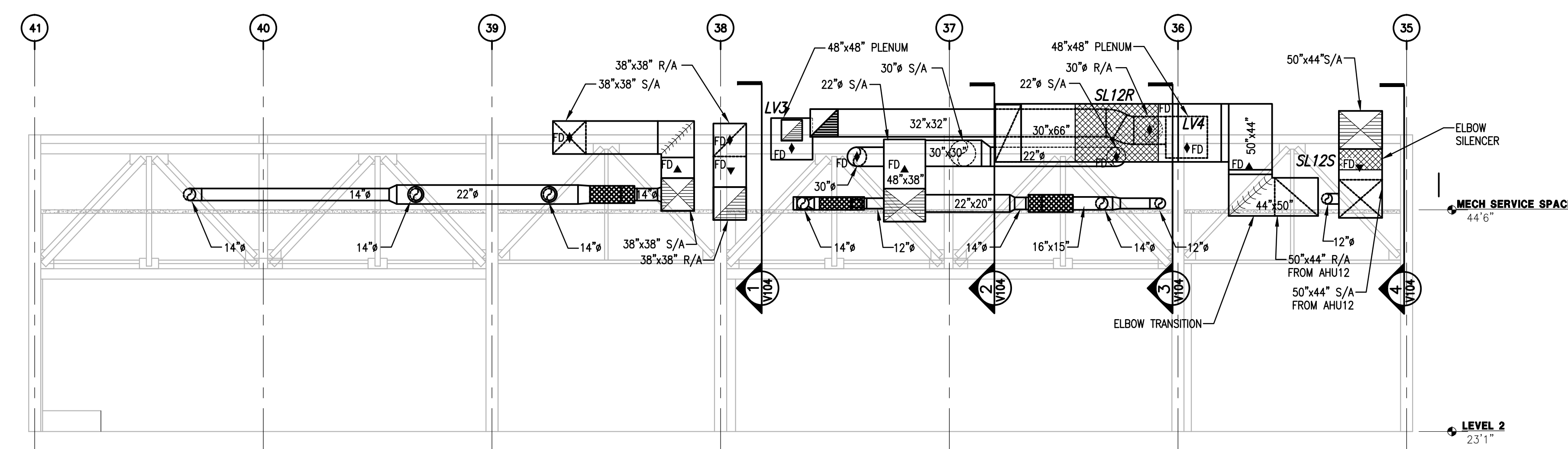
2 SECTION NEAR LINE 37  
V103 1/8"=1'-0"



3 MEZZANINE SECTION NEAR LINE 36  
V103 1/8"=1'-0"



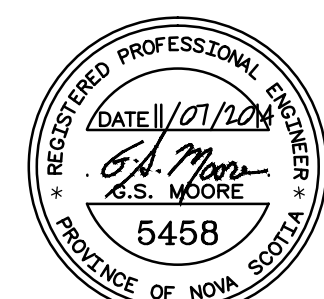
4 SECTION NEAR LINE 35  
V102 1/8"=1'-0"



5 MEZZANINE SECTION ON LINE B  
V102 1/8"=1'-0"

IMPERIAL SCALE DRAWING  
FIRST FLOOR ELEV. 00.00m

NO.	Issued / revised	DATE
1	Issued for Review	15 Jan 2014
2	Issued for Schematic Design	05 Feb 2014
3	Issued for Design Development	11 April 2014
4	Issued for Tender Review	13 June 2014
5	Issued for Tender	11 July 2014



E.C. O'Neill, Steven S. Asacco's Limited  
Consulting Engineers  
1100 SHEPPARD AVENUE EAST, SUITE 200  
SCARBOROUGH, ONTARIO M1S 1T7  
Tel: (416) 291-1111 Fax: (416) 291-1112  
www.eco.ca



Luc Bouliane Architect Inc + David J Agro Architect Inc + Michael Grunsky Architect Inc  
1259 Dundas Street West, Toronto, M6J 1X6 Tel. 416 300 0656

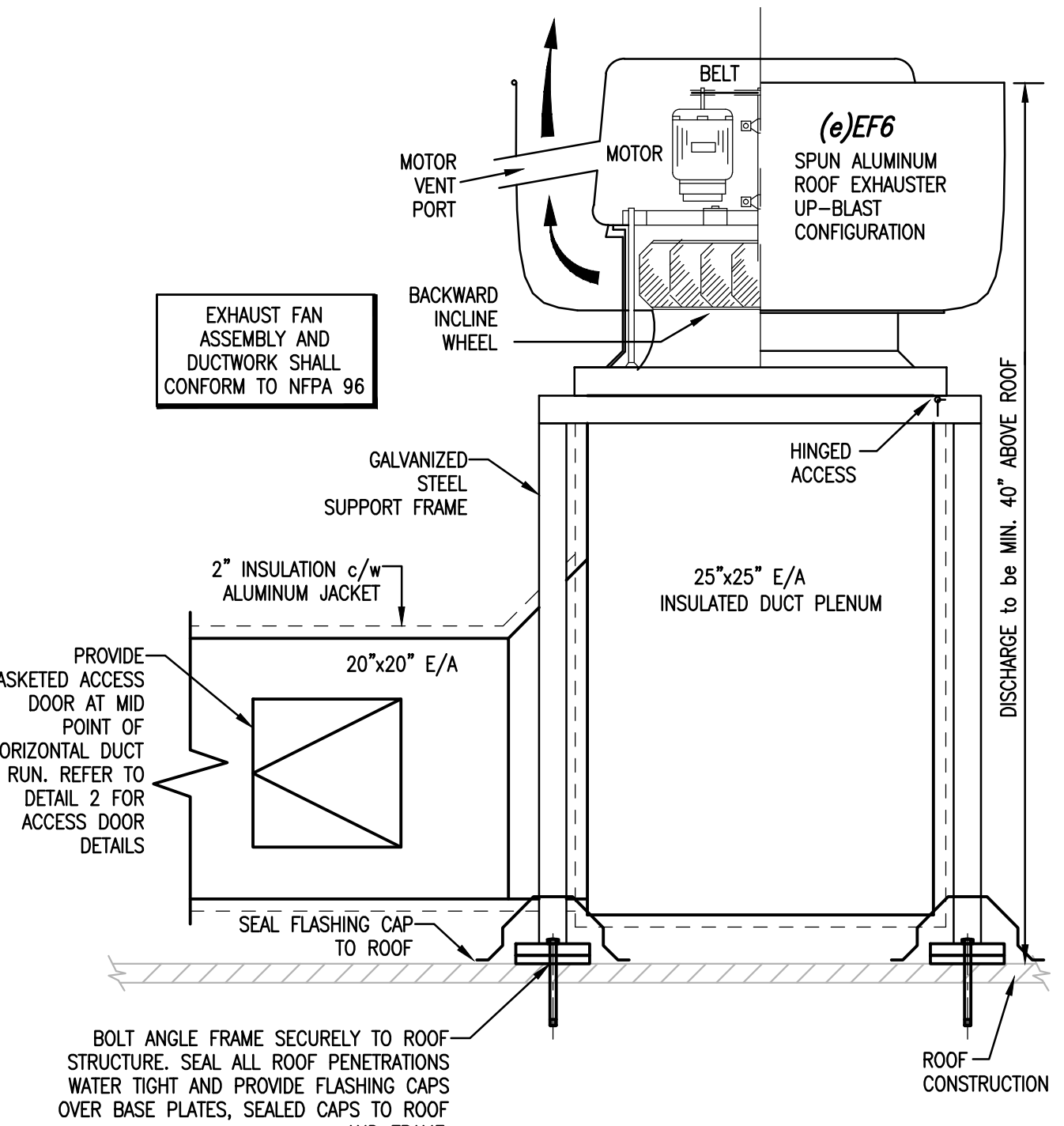
CANADIAN MUSEUM OF IMMIGRATION AT PIER 21

project no: 13-006  
scale: AS NOTED  
drawn by: HSB  
reviewed by: DSM  
date: Jan. 15/2014

PIER 21  
VENTILATION SECTIONS

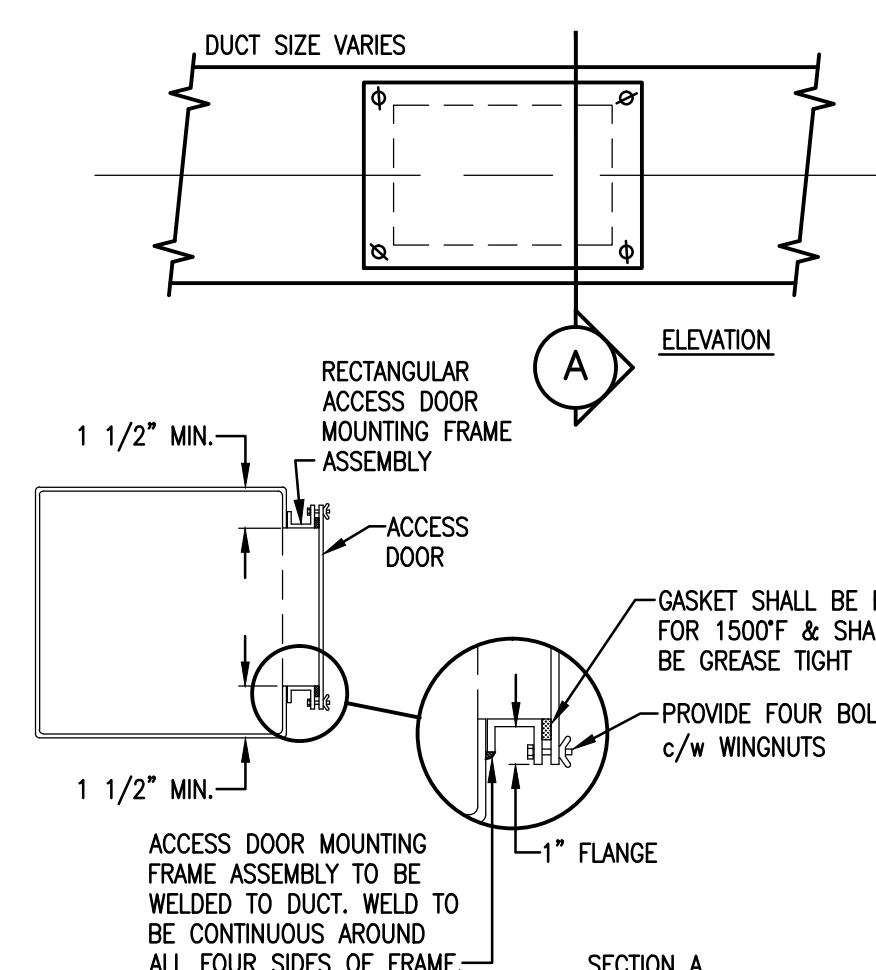
V104



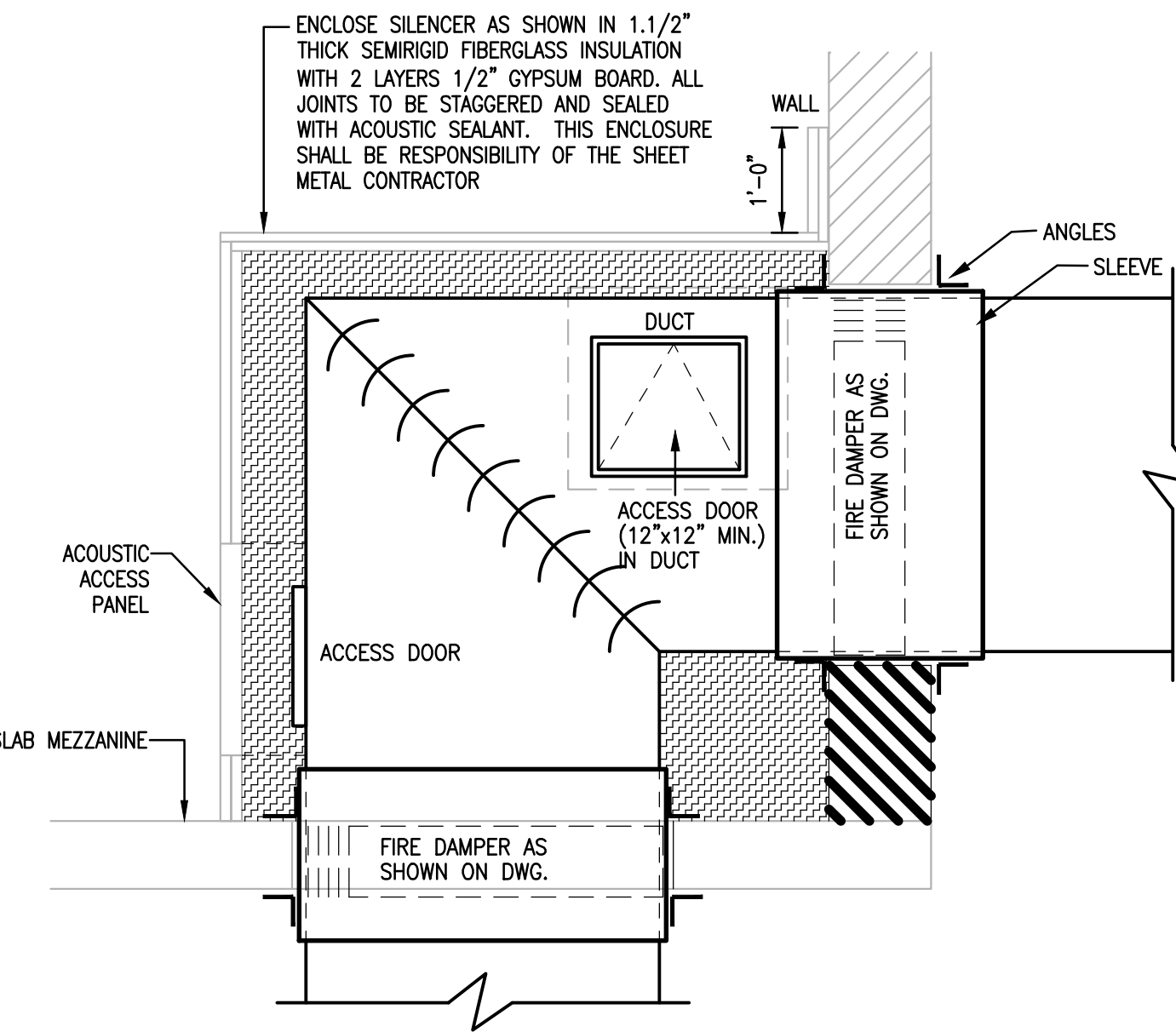


**1** KITCHEN GREASE UPBLAST FAN  
N.T.S. (EF-6)

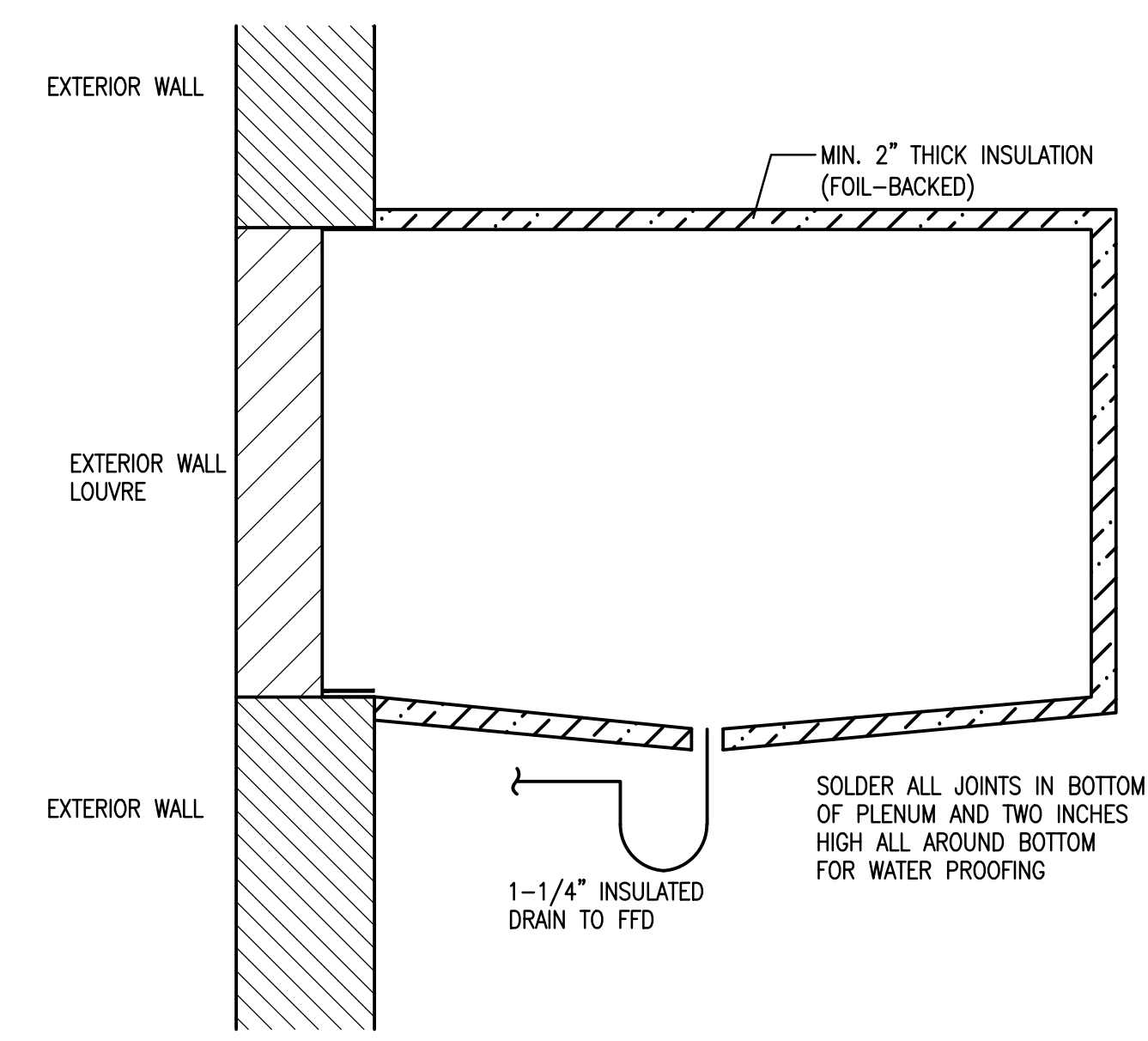
NOTES:  
1. ENTIRE ASSEMBLY TO CONFORM TO NFPA 96.  
2. DUCT, ACCESS DOOR & ACCESS DOOR MOUNTING FRAME TO BE CONSTRUCTED OF 16 GAUGE BLACK IRON.  
3. SIZE OF ACCESS DOOR TO BE ADJUSTED TO SUIT DUCT SIZE. A MINIMUM 12"x12" OPENING IS TO BE PROVIDED TO ALLOW ACCESS INTO THE DUCT FOR CLEANING & INSPECTION.  
4. ACCESS DOORS TO BE PROVIDED ON KITCHEN EXHAUST DUCT AT EACH CHANGE IN DIRECTION AND SPACED ALONG STRAIGHT DUCTS TO ALLOW INSPECTION AND CLEANING OF THE ENTIRE DUCT RUN.



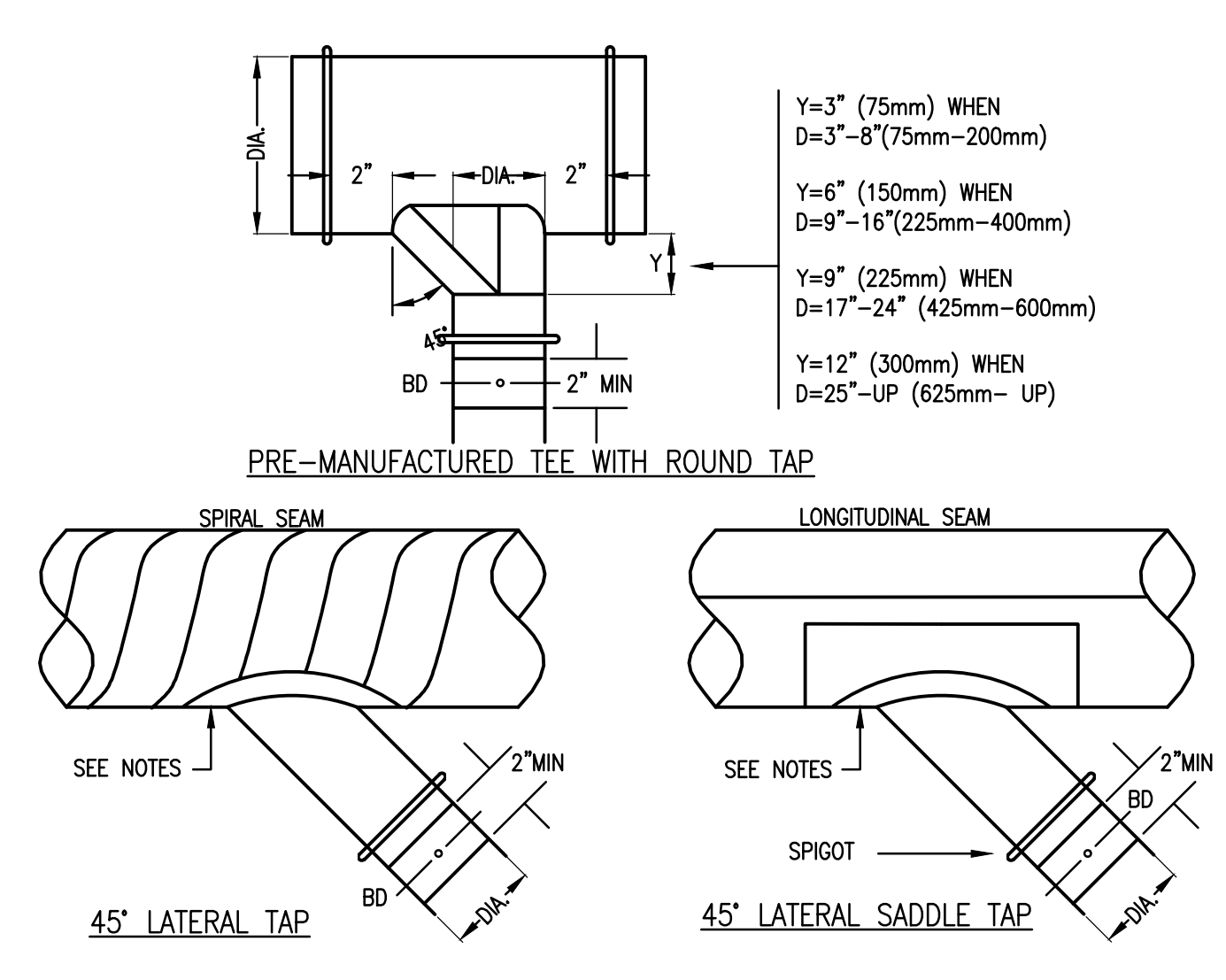
**2** KITCHEN DUCT ACCESS DOOR  
N.T.S.



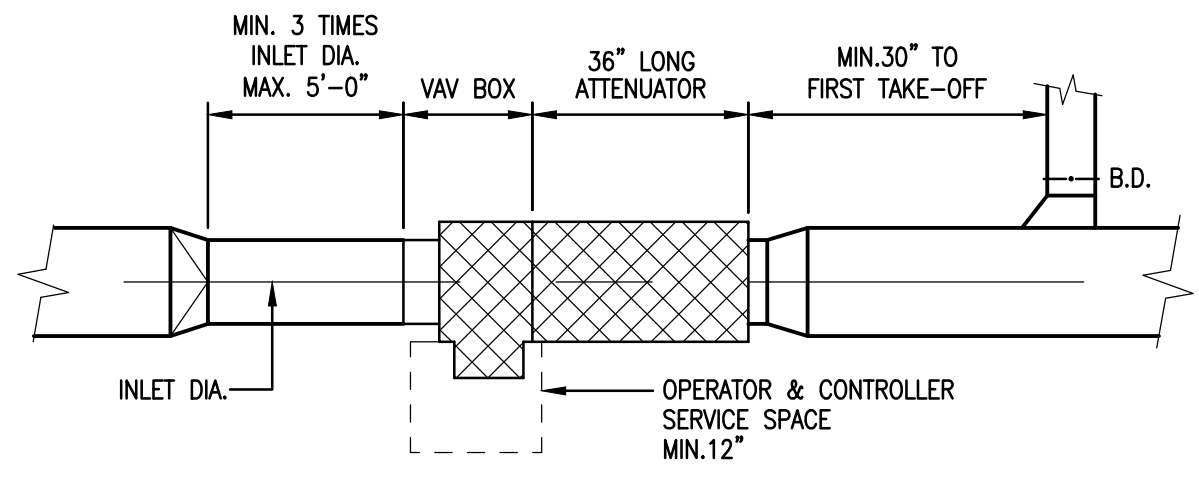
**3** DUCT-ACOUSTIC ENCLOSURE  
N.T.S.



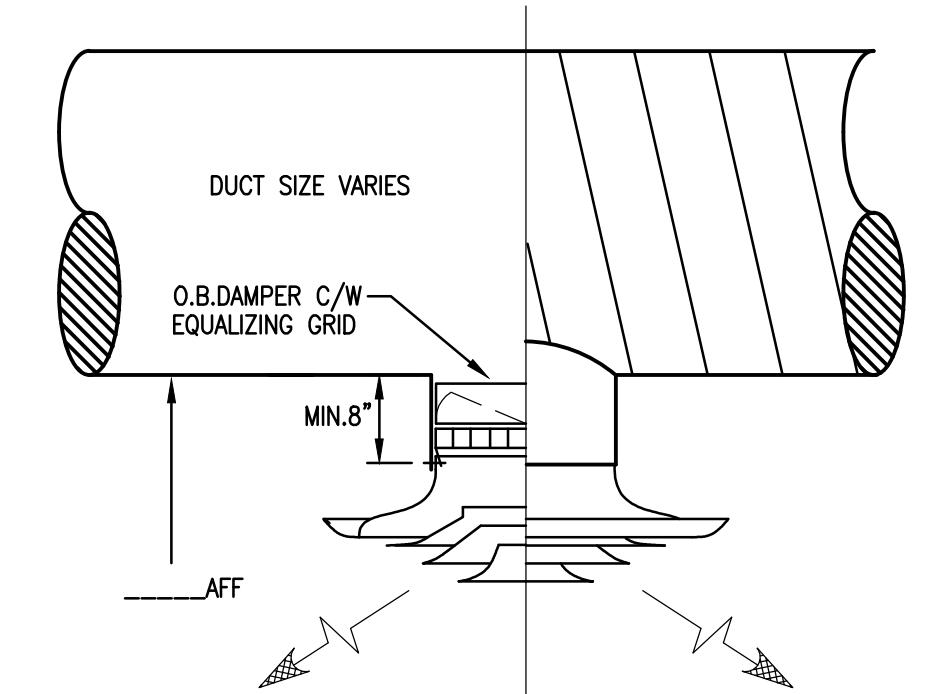
**4** LOUVRE PLENUM DRAIN  
N.T.S. (1:3 TYP.)



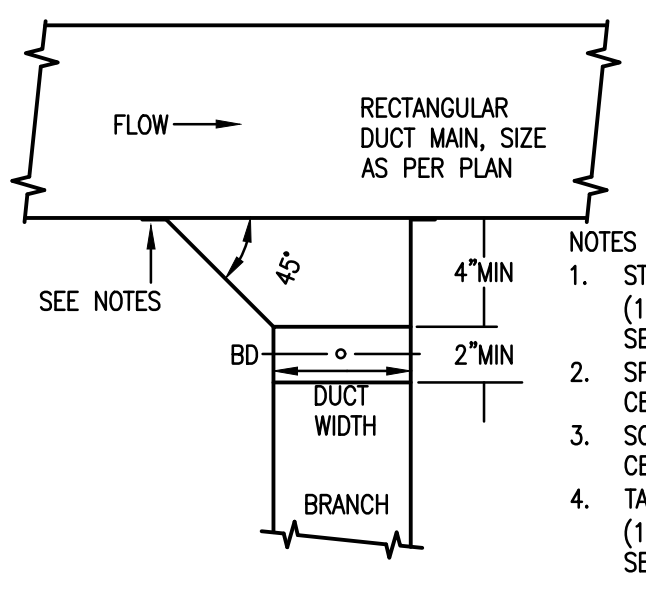
**5** DUCT TAKE-OFF (ROUND)  
N.T.S.



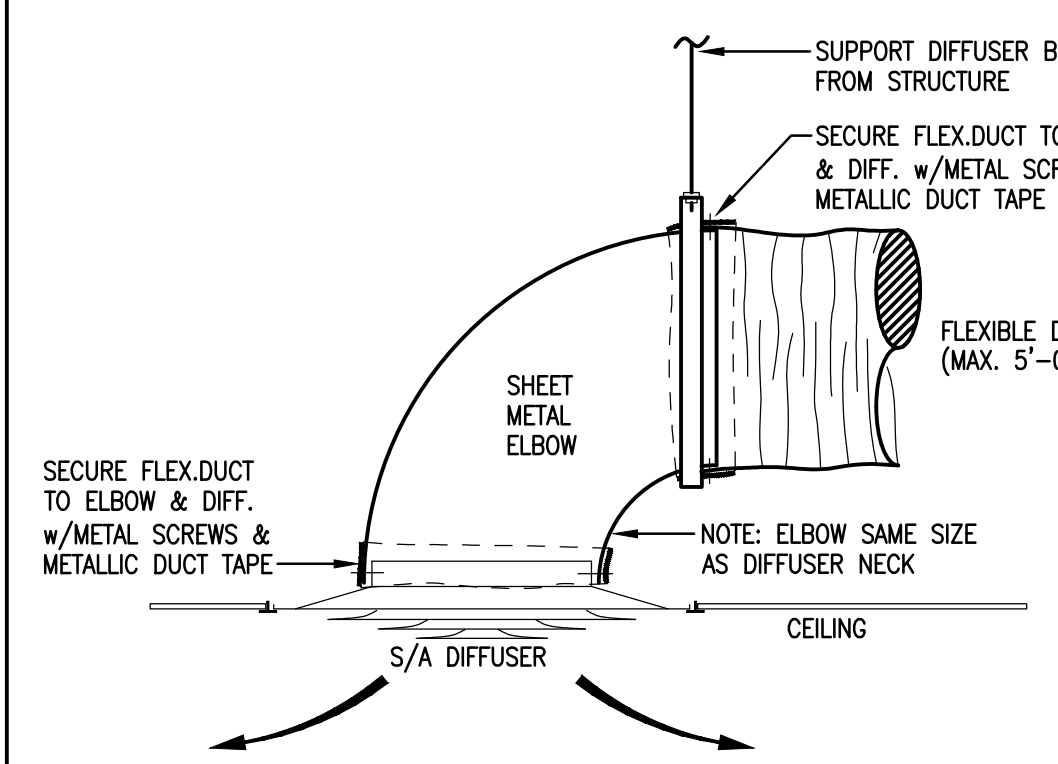
**6** TYPICAL V.A.V. BOX  
N.T.S. (TERMINAL UNIT)



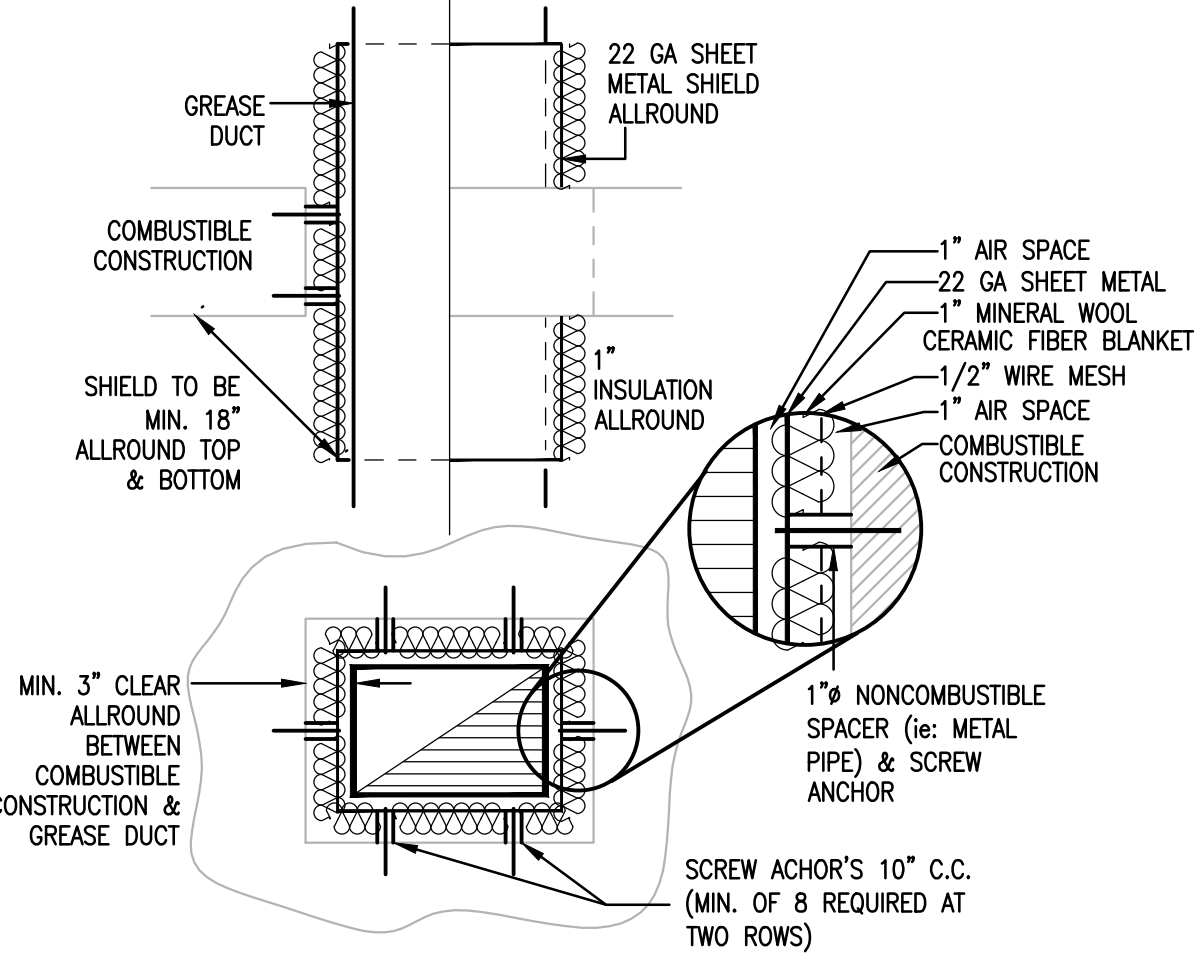
**7** ROUND S/A DIFFUSER  
N.T.S.



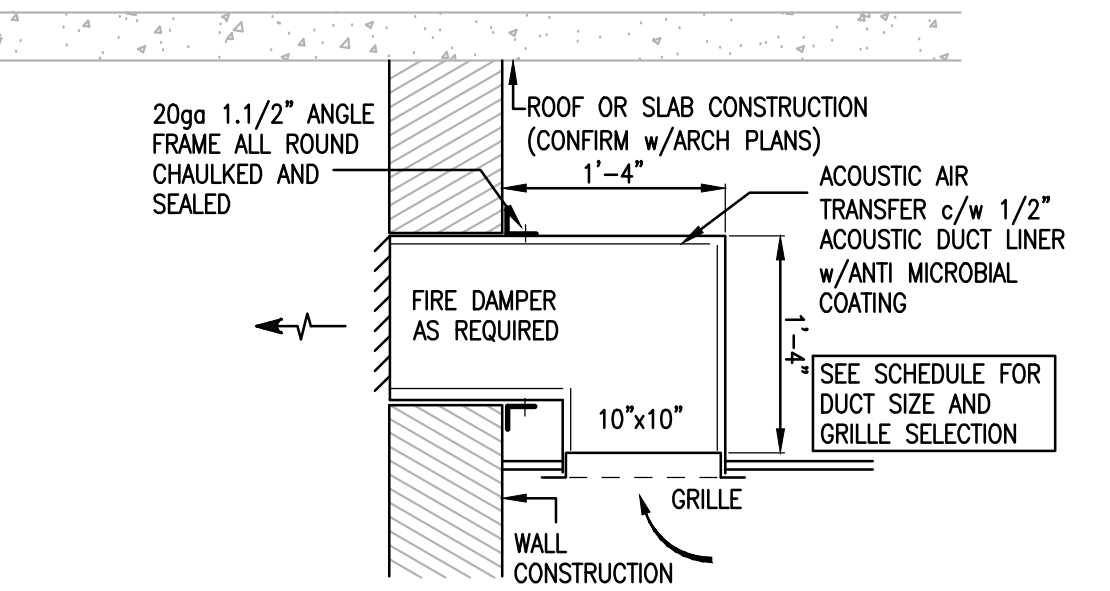
**8** SIDE OF DUCT TAKE-OFF  
N.T.S.



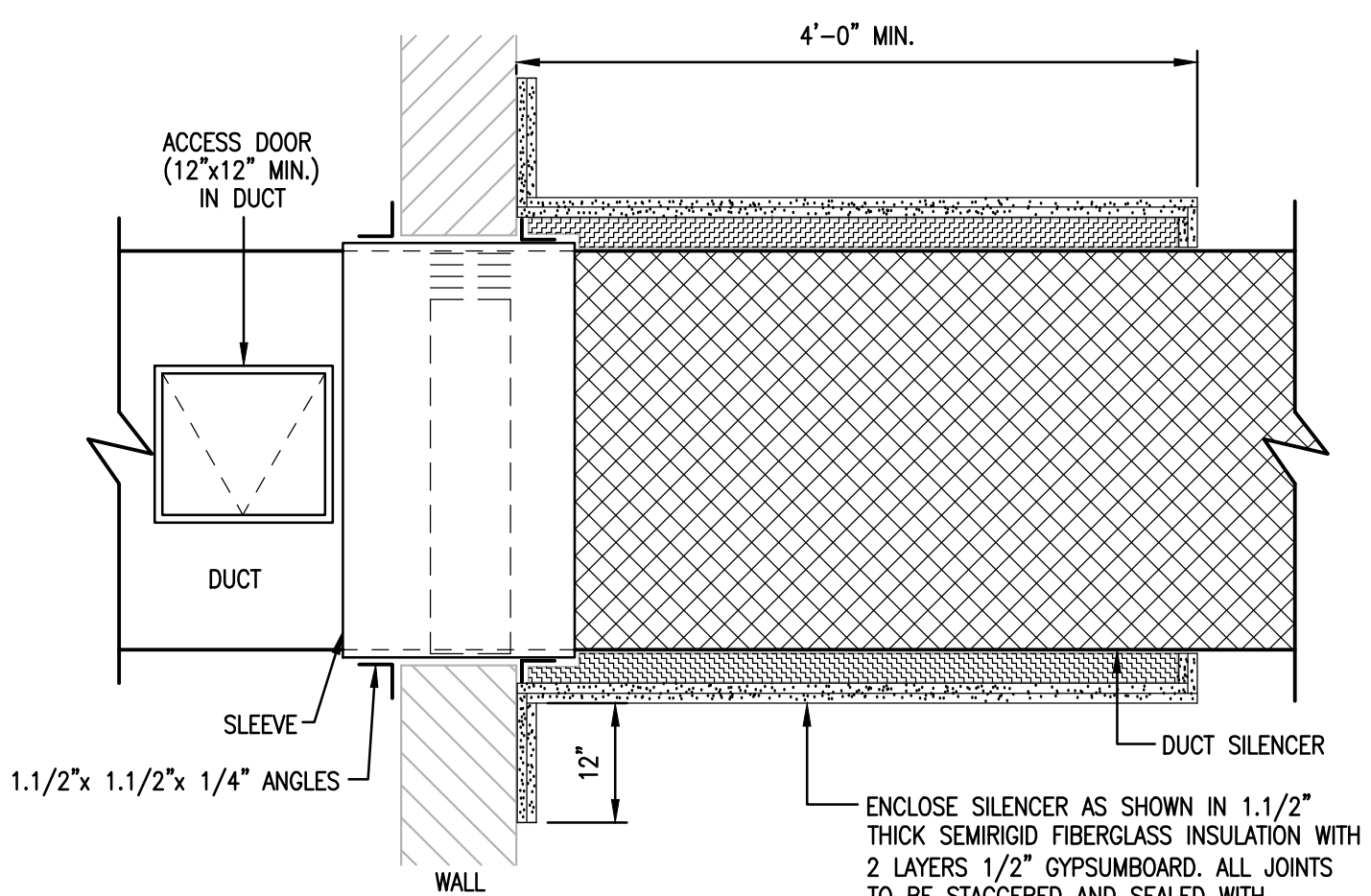
**9** DIFF. FLEX CONNECTION  
N.T.S.



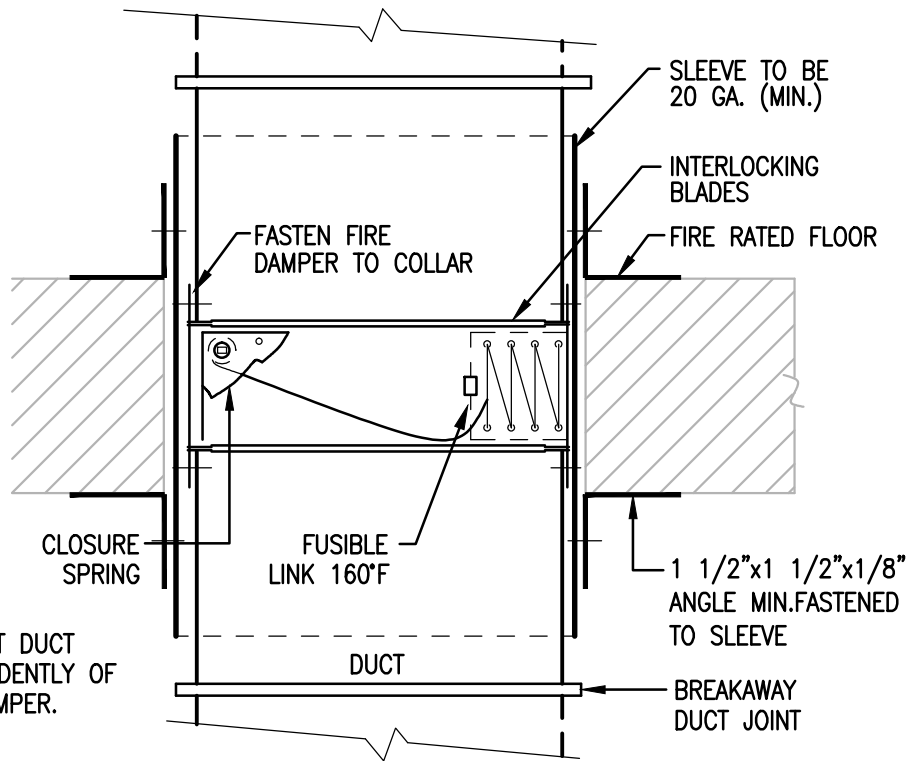
**10** GREASE DUCT SHIELD  
N.T.S. (COMBUSTIBLE CONSTRUCTION)



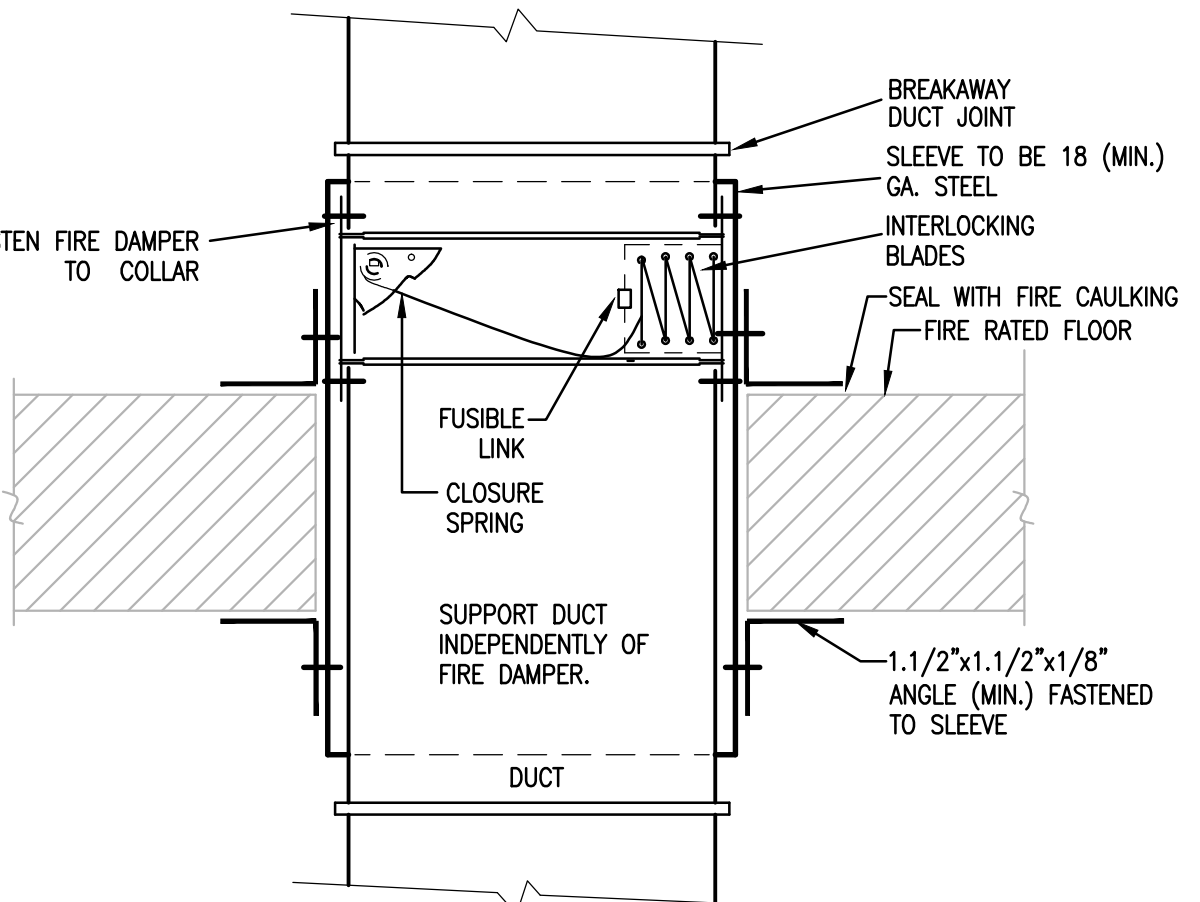
**11** VENTILATION TRANSFER OPENING  
N.T.S. (ACOUSTIC)



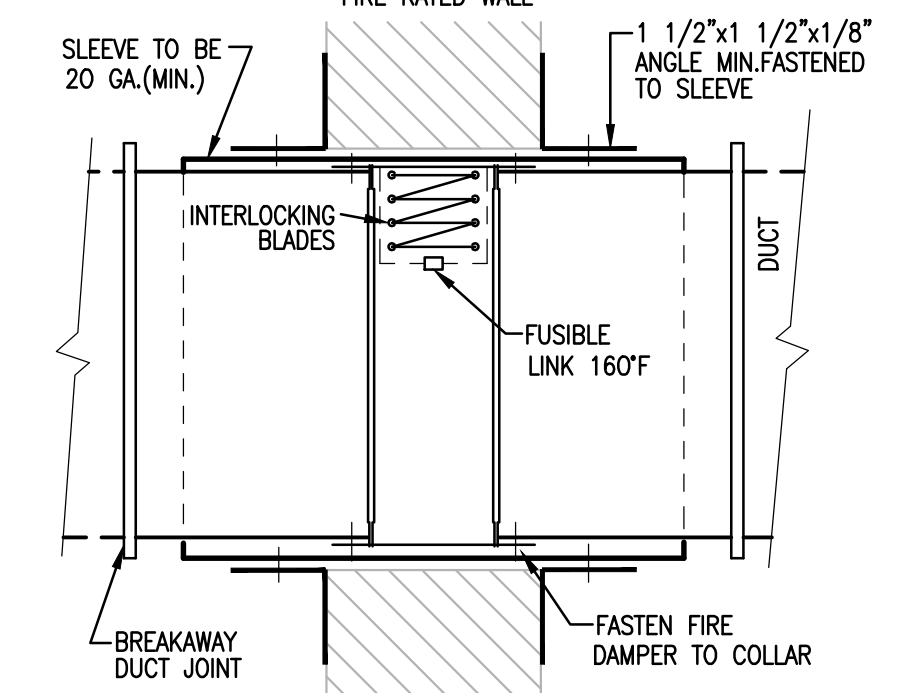
**12** DUCT W/SILENCER AND FIRE DAMPER  
N.T.S.



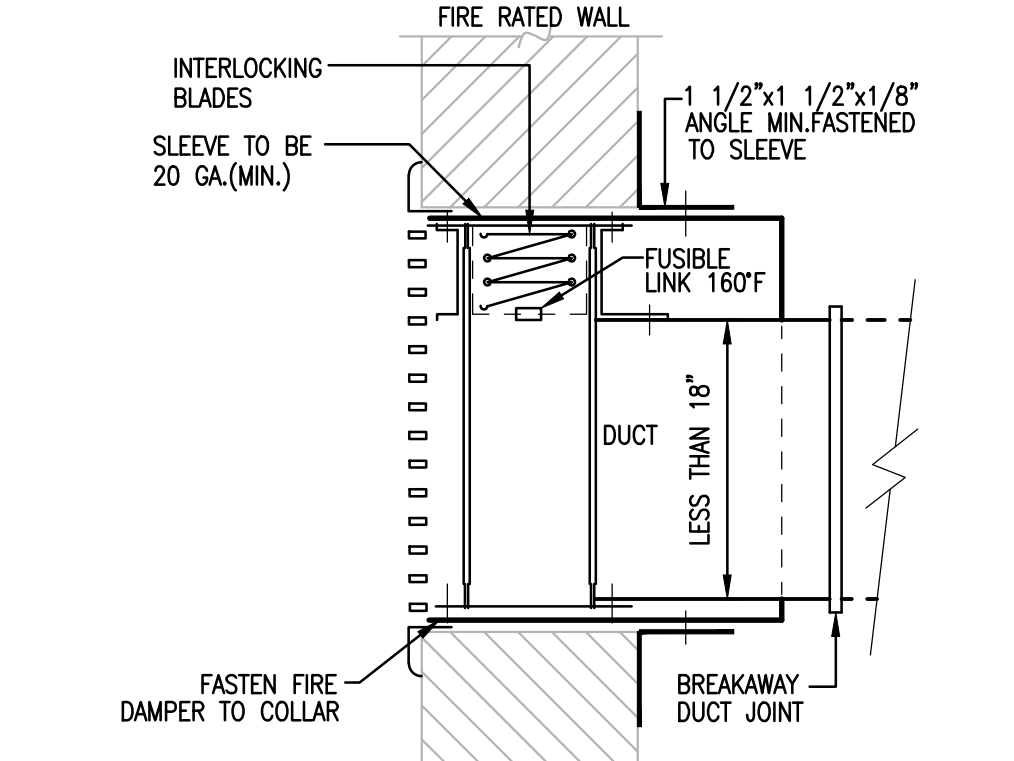
**13** HORIZONTAL FIRE DAMPER  
N.T.S. (DUCTS LARGER THAN 18")



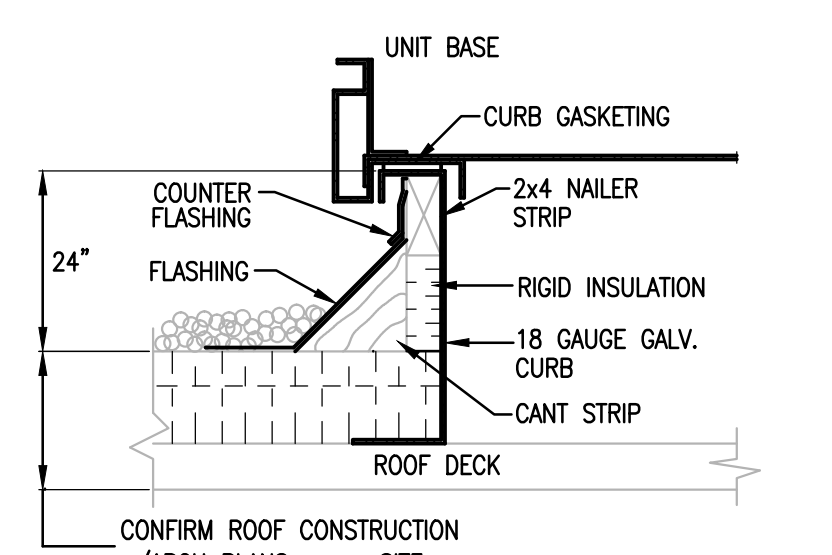
**14** HORIZONTAL FIRE DAMPER  
N.T.S. (DUCTS LARGER THAN 18" IN EXISTING SLAB)



**15** VERTICAL FIRE DAMPER  
N.T.S. (DUCTS LARGER THAN 18")



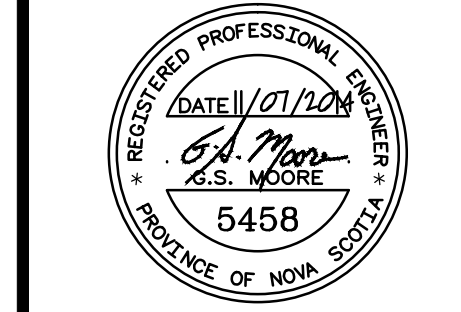
**16** VERTICAL FIRE DAMPER  
N.T.S.



**17** ROOFTOP LOUVRED PENTHOUSE CURB  
N.T.S. (LV7; LV8)

IMPERIAL SCALE DRAWING  
FIRST FLOOR ELEV. 00.00m

no.	Issued / Revised	date
1	Issued for Review	15 Jan 2014
2	Issued for Schematic	05 Feb 2014
3	Issued for Design Development	11 April 2014
4	Issued for Tender	13 June 2014
5	Issued for Tender	11 July 2014



Luc Bouliane Architect Inc + David J Agro Architect Inc + Michael Grunsky Architect Inc  
1259 Dundas Street West, Toronto, M6J 1X6 Tel: 416 300 0656

project no:	13-005
scale:	AS NOTED
drawn by:	NGB
checked by:	NGB
date:	Jan. 15/2014

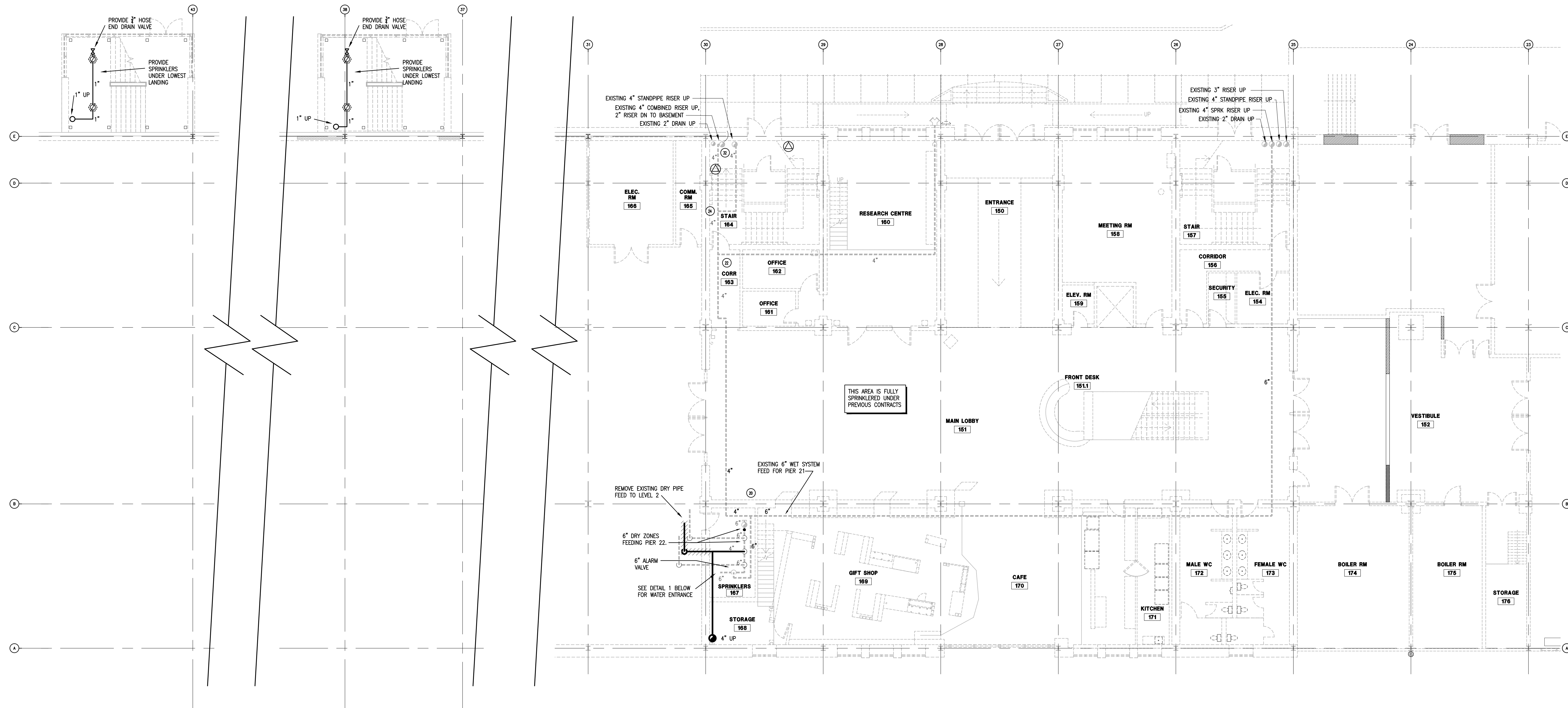
PIER 21  
VENTILATION DETAILS

V501

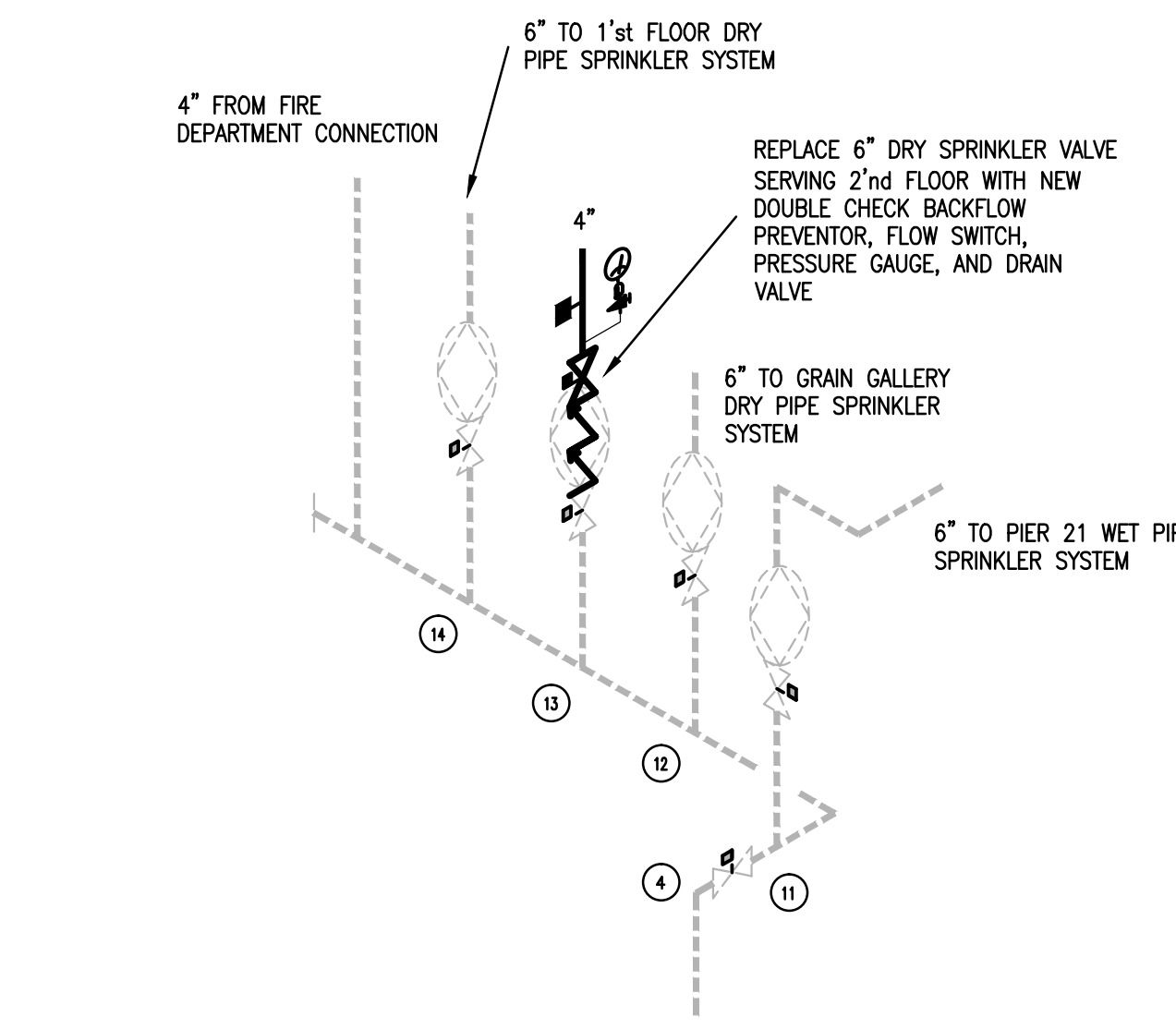








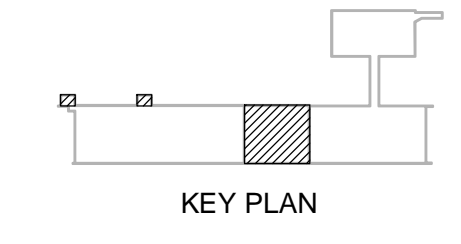
1 SPRINKLER RENOVATION PLAN – LEVEL 1 SOUTH  
1/8"=1'-0"



2 SPRINKLER SYSTEM ENTRANCE  
NTS

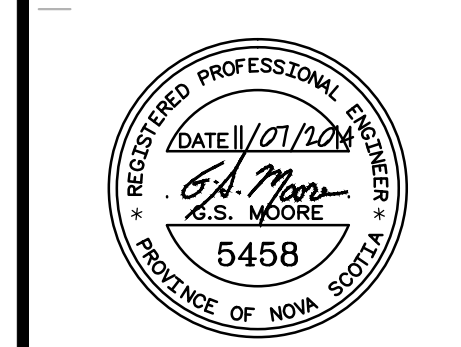
SPRINKLER LEGEND	
SYMBOL	DESCRIPTION
---	EXISTING MAIN TO REMAIN
---	NEW MAIN
---	EXISTING MAIN TO BE REMOVED
---	EXISTING BRANCH TO REMAIN
---	NEW BRANCH
---	EXISTING BRANCH TO BE REMOVED
---	FLUSHING CONNECTION
---	PIPE DROP
↑	PIPE UP
○	EXISTING SPRINKLER HEAD
○	REMOVE EXISTING SPRINKLER HEAD
○	NEW PENDANT SPRINKLER HEAD
○	CONCEALED SPRINKLER HEAD
○	NEW UPRIGHT SPRINKLER HEAD
○	NEW HIGH TEMP. SPRINKLER HEAD, c/w GUARD
▲	EXTENDED COVERAGE DRY SIDEWALL SPRK
▲	NEW SIDEWALL SPRINKLER HEAD, c/w GUARD
▲	NEW WET SIDEWALL SPRINKLER HEAD
▲	SIDEWALL DELUGE SPRINKLER (K=7.2)
○	PENDANT DELUGE SPRINKLER (K=2.3)
○	PENDANT EC SIDEWALL SPRINKLER
○	INTERMEDIATE TEMP. SPRINKLER HEAD
○	DRY PENDANT SPRINKLER HEAD
○	EXISTING 10 lb ABC FIRE EXTINGUISHER C/W WALL BRACKET
○	NEW 10 lb ABC FIRE EXTINGUISHER C/W WALL BRACKET
○	NEW 10 lb TYPE "K" FIRE EXTINGUISHER C/W WALL BRACKET
○	NEW 10 lb ABC FIRE EXTINGUISHER (c/w SEMI RECESSED CABINET)
○	NEW 10 lb ABC FIRE EXTINGUISHER (c/w FULLY RECESSED CABINET)
---	2 1/2" STANDPIPE CONNECTION
▽	UPRIGHT SPRINKLER HEAD (ELEVATION)
△	PENDANT SPRINKLER HEAD (ELEVATION)
⊥	GATE VALVE
⊥	SUPERVISED VALVE
⊥	CHECK VALVE
⊥	INDICATING VALVE
⊥	WATER COING
⊥	SPRINKLER VALVE
⊥	FIRE DEPARTMENT CONNECTION
⊥	EXISTING STANDPIPE CONNECTION
⊥	NEW 2" STANDPIPE CONNECTION
AREA	AREA IDENTIFICATION

WATER SUPPLY	
DATE	August 25, 2006
ELEVATION	-3'-8" ft
STATIC	75 PSIG
FLOW / RESIDUAL	610 usgpm / 69 PSIG
FLOW / RESIDUAL	814 usgpm / 65 PSIG



IMPERIAL SCALE DRAWING  
FIRST FLOOR ELEV. 00.00m

no.	Issued / Revised	date:
1	Issued for Review	15 Jan 2014
2	Issued for Schematic	05 Feb 2014
3	Issued for Design Development	11 April 2014
4	Issued for Tender	13 June 2014
5	Issued for Tender	11 July 2014



F.C. O'Neil, Chartered Engineer & Assoc's. Limited  
 3160 Sheppard Avenue East, Suite 200, Scarborough, Ontario M1S 1T6  
 3rd Floor, 3110 Bayview Ave., Suite 201, North York, Ontario M2N 6L1  
 Tel: (416) 291-8888 Fax: (416) 291-8889

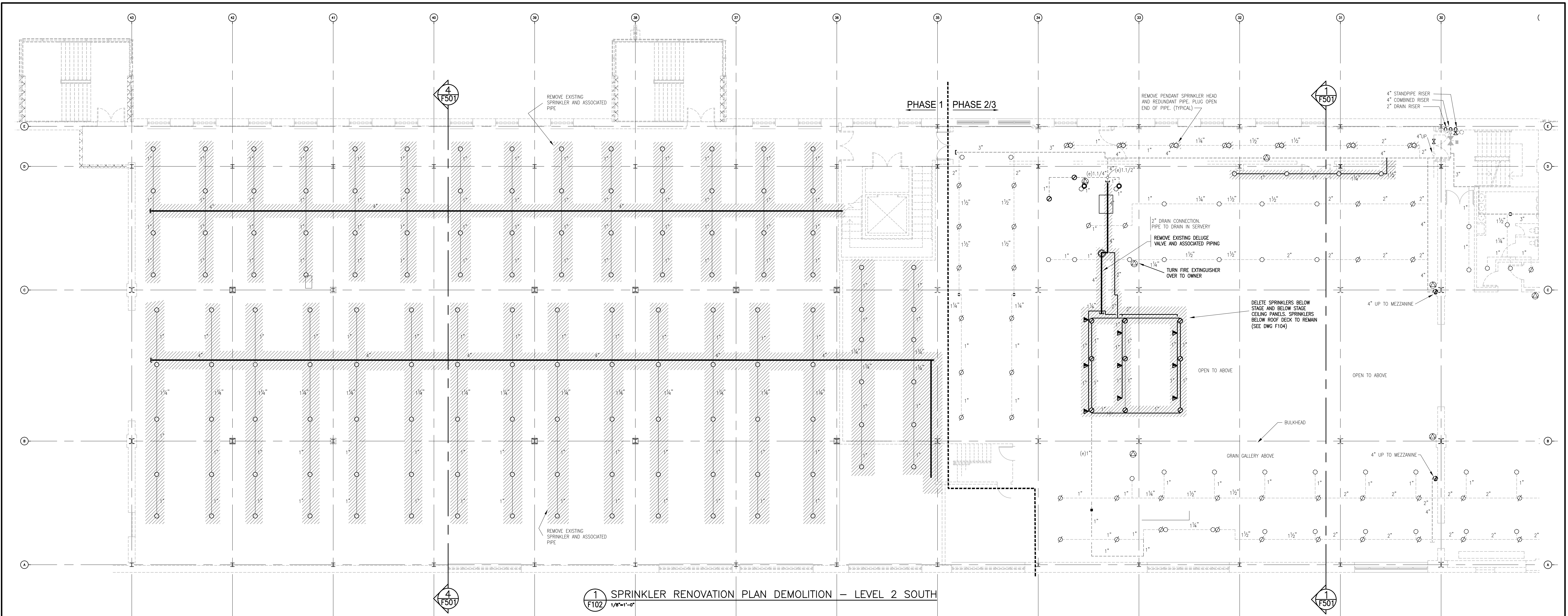


Luc Boulifane Architect Inc + David J Agro Architect Inc + Michael Grunsky Architect Inc  
 1259 Dundas Street West, Toronto, M6J 1X6 Tel: 416 300 0656  
**CANADIAN MUSEUM OF IMMIGRATION AT PIER 21**

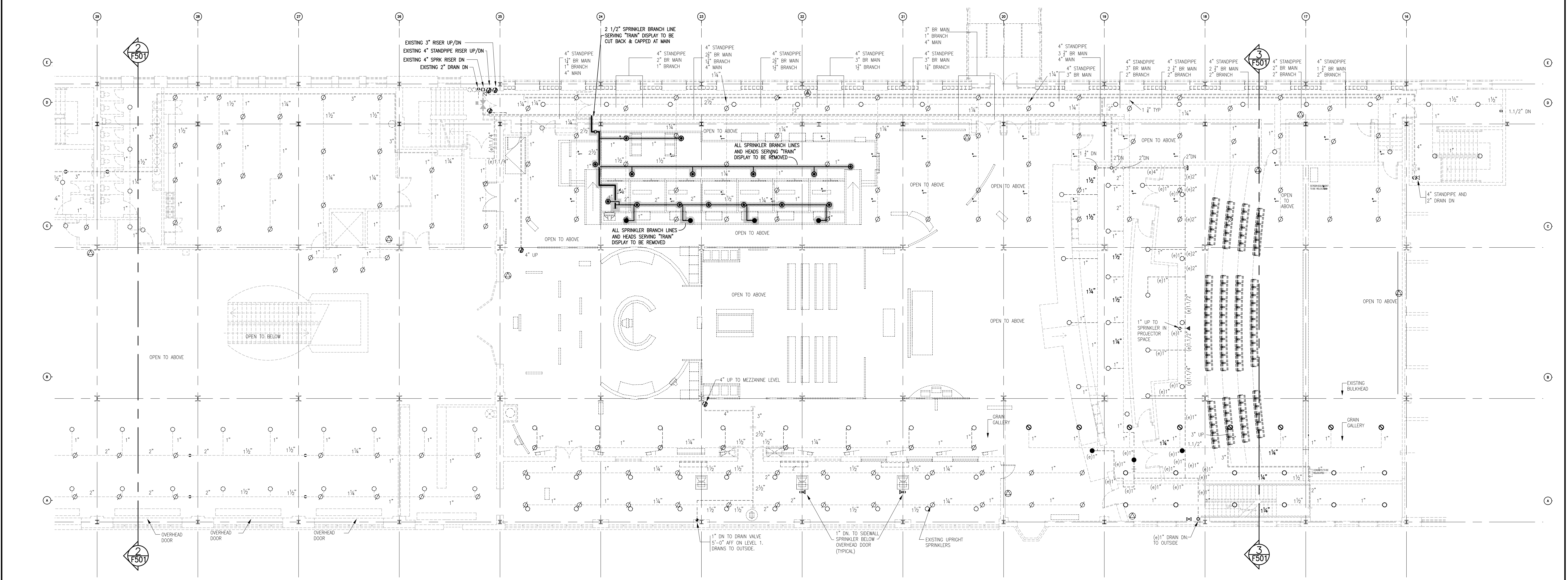
project no: 13-005  
 scale: AS NOTED  
 drawn by: JAC  
 reviewed by: JSM  
 date: Jan. 15/2014

PIER 21  
 SPRINKLER RENOVATIONS  
 LEVEL 1

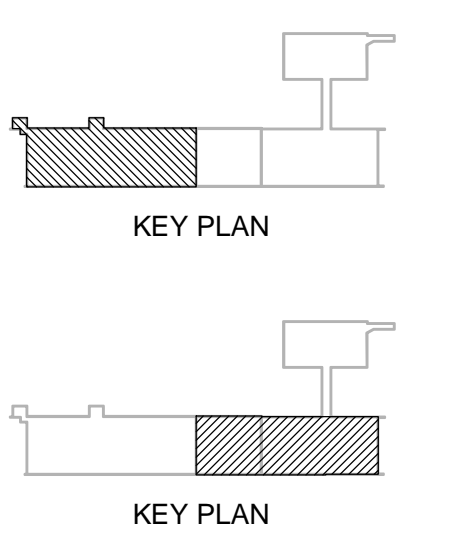




1 SPRINKLER RENOVATION PLAN DEMOLITION – LEVEL 2 SOUTH  
1/8"=1'-0"

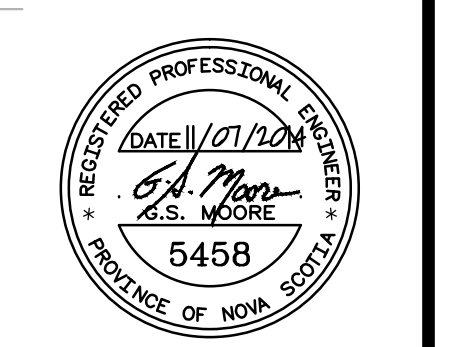


2 SPRINKLER RENOVATION PLAN DEMOLITION – LEVEL 2 NORTH  
1/8"=1'-0"



IMPERIAL SCALE DRAWING  
FIRST FLOOR ELEV. 00.00m

no.	Issued / Revised	date
1	Issued for Review	15 Jan 2014
2	Issued for Schematic	05 Feb 2014
3	Issued for Design Development	11 April 2014
4	Issued for Tender	13 June 2014
5	Issued for Tender	11 July 2014



L.C. O'Neil, Chartered Engineer & Associate's Limited  
 CONSULTING ENGINEERS  
 3100 DUNDAS STREET WEST, TORONTO, ONT. M5T 1G9  
 416-363-8888  
 www.onil.ca

**on sa**

Luc Bouliane Architect Inc + David J Agro Architect Inc + Michael Grunsky Architect Inc  
 1259 Dundas Street West, Toronto, M6J 1X6 Tel: 416.300.0656

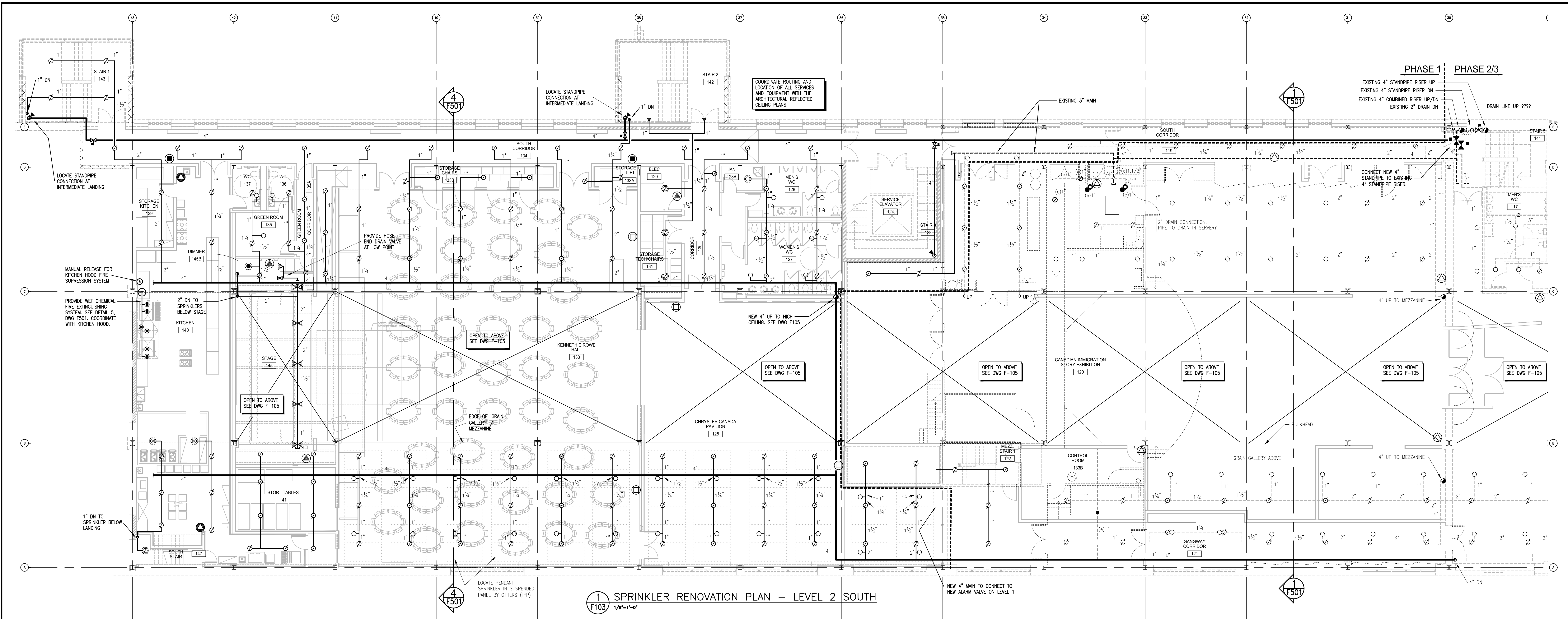
**CANADIAN MUSEUM OF IMMIGRATION AT PIER 21**

project no: 13-005  
 scale: AS NOTED  
 drawn by: JAC  
 checked by: JAC  
 date: Jan. 15/2014

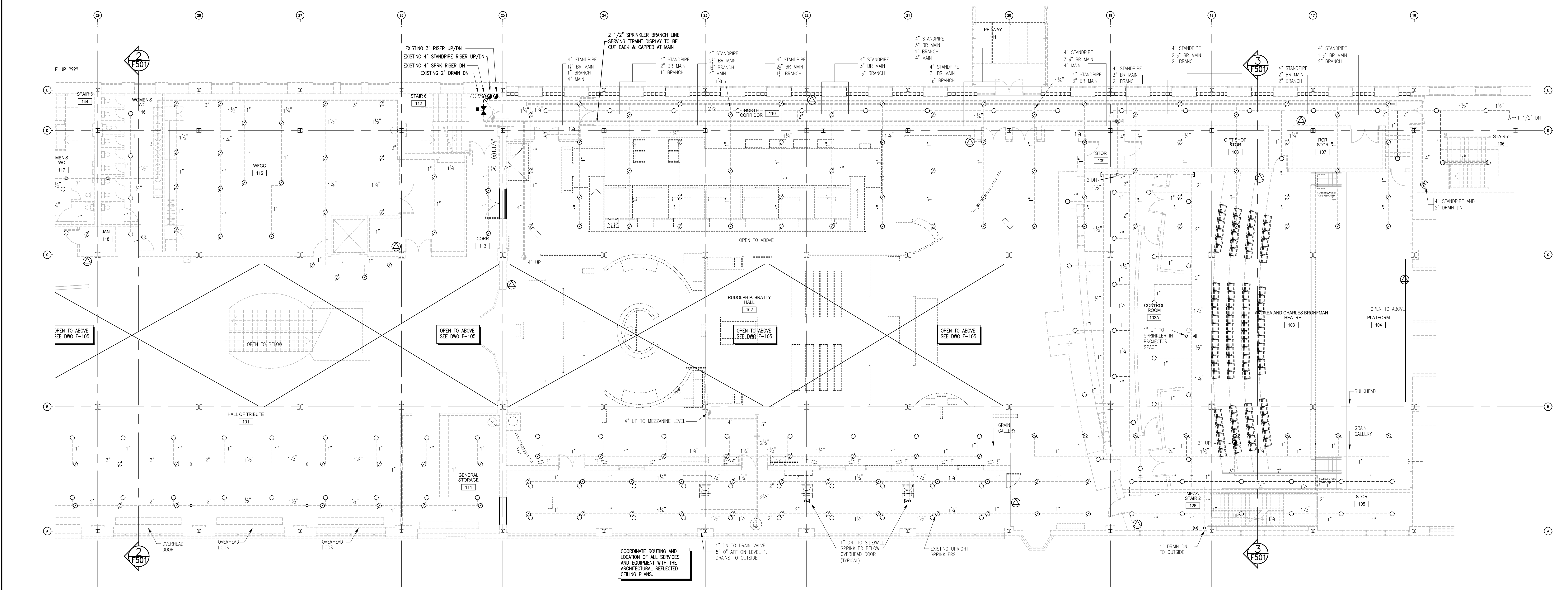
PIER 21  
 SPRINKLER RENOVATIONS  
 LEVEL 2 - DEMOLITION

Drawing F102 - Sprinkler - Level 2 - Demolition.dwg DWG was plotted: 14/07/14, at time: 5:25:59pm

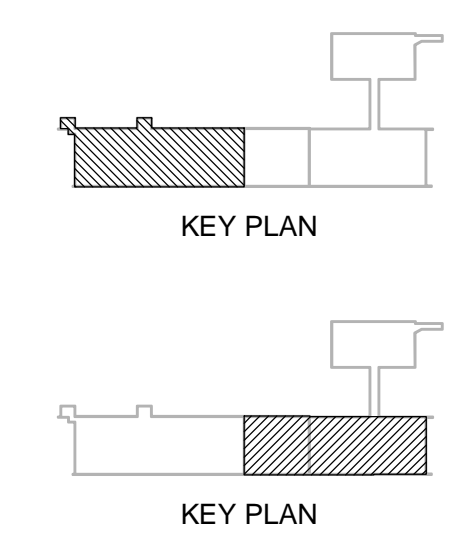




1 SPRINKLER RENOVATION PLAN - LEVEL 2 SOUTH  
F103 1/8"=1'-0"

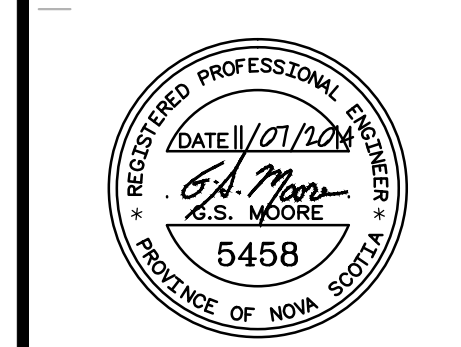


2 SPRINKLER RENOVATION PLAN - LEVEL 2 NORTH  
F103 1/8"=1'-0"



IMPERIAL SCALE DRAWING  
FIRST FLOOR ELEV. 00.00m

no.	Issued / Revised	date
1	Issued for Review	15 Jan 2014
2	Issued for Schematic	05 Feb 2014
3	Issued for Design	11 April 2014
4	Issued for Tender	13 June 2014
5	Issued for Tender	11 July 2014



L.C. O'Neil, Chartered Engineer & Assoc's. Limited  
 3160 Sheppard Avenue East, Suite 208  
 Scarborough, Ontario M1S 1T7  
 Tel: (416) 291-1111 Fax: (416) 291-1112  
 www.ona.ca

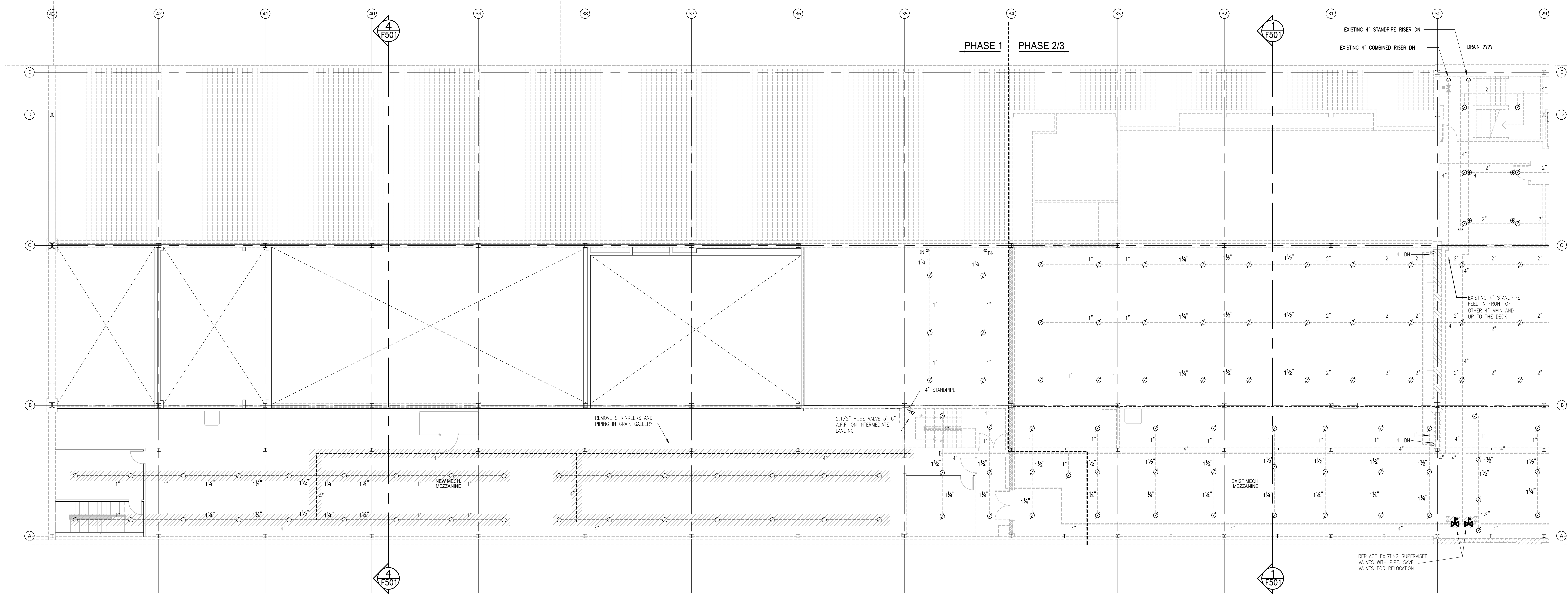


Luc Bouliane Architect Inc + David J Agro Architect Inc + Michael Grunsky Architect Inc  
 1259 Dundas Street West, Toronto, M6J 1X6 Tel: 416 300 0656  
**CANADIAN MUSEUM OF IMMIGRATION AT PIER 21**

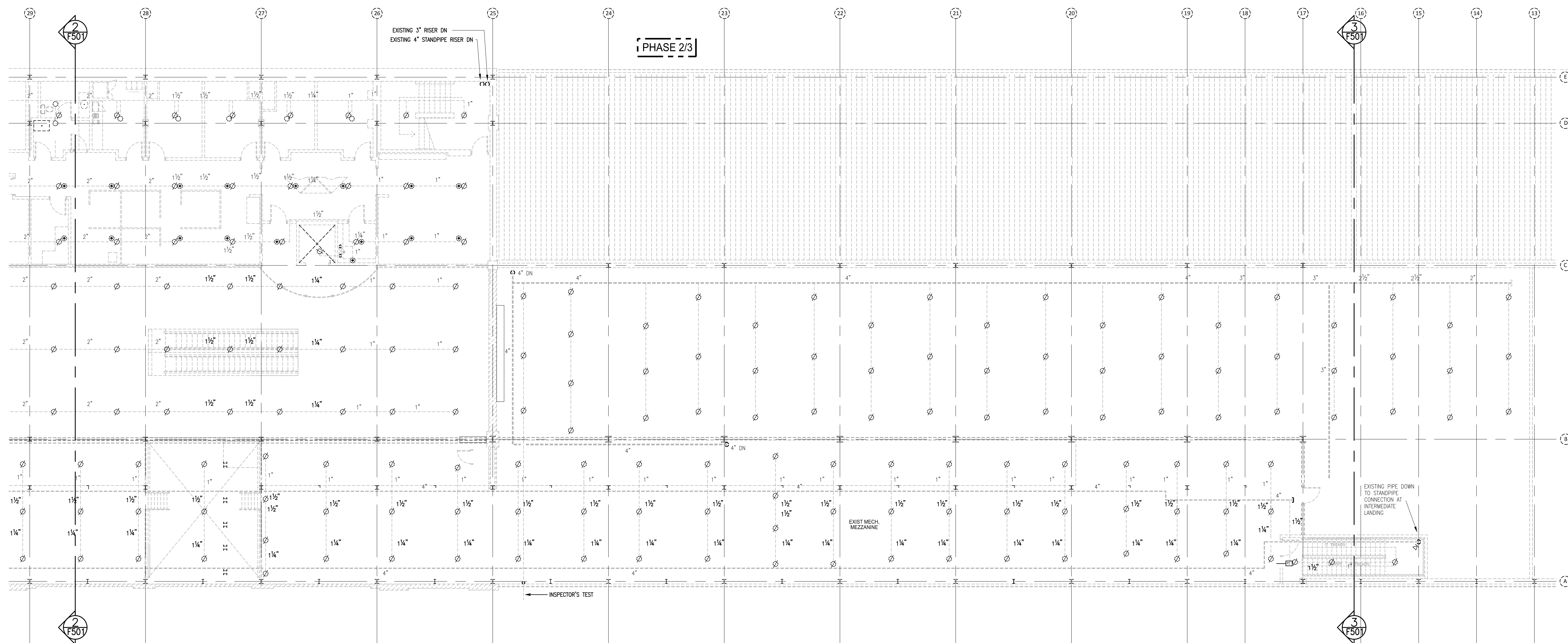
project no: 13-005  
 scale: AS NOTED  
 drawn by: JAC  
 checked by: JAC  
 date: Jan. 15/2014

PIER 21  
 SPRINKLER RENOVATIONS  
 LEVEL 2

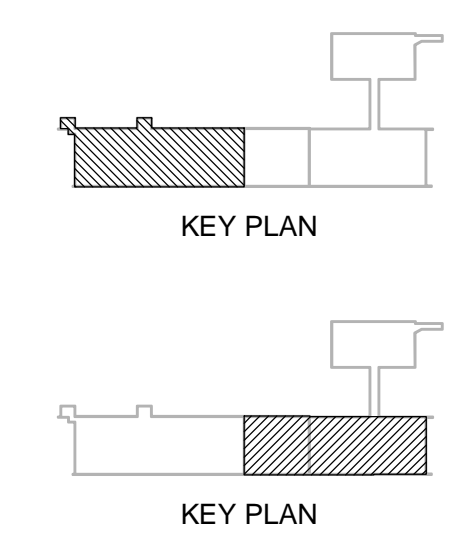




1 SPRINKLER RENOVATION PLAN - MEZZANINE SOUTH  
F104 1/8"=1'-0"

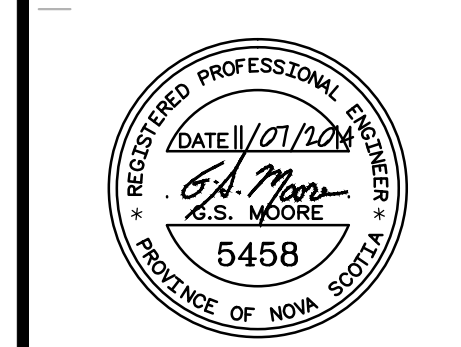


2 SPRINKLER RENOVATION PLAN - MEZZANINE NORTH  
F104 1/8"=1'-0"



IMPERIAL SCALE DRAWING  
FIRST FLOOR ELEV. 00.00m

no.	Issued / Revised	date
1	Issued for Review	15 Jan 2014
2	Issued for Schematic	05 Feb 2014
3	Issued for Design Development	11 April 2014
4	Issued for Tender Review	13 June 2014
5	Issued for Tender	11 July 2014



F.C. O'Neill, Engineer & Assoc's. Limited  
 3490 DUNDAS STREET WEST, SUITE 208  
 TORONTO, ONTARIO M6J 1X6  
 TEL: 416-300-0656 FAX: 416-300-0657  
 www.ona.ca



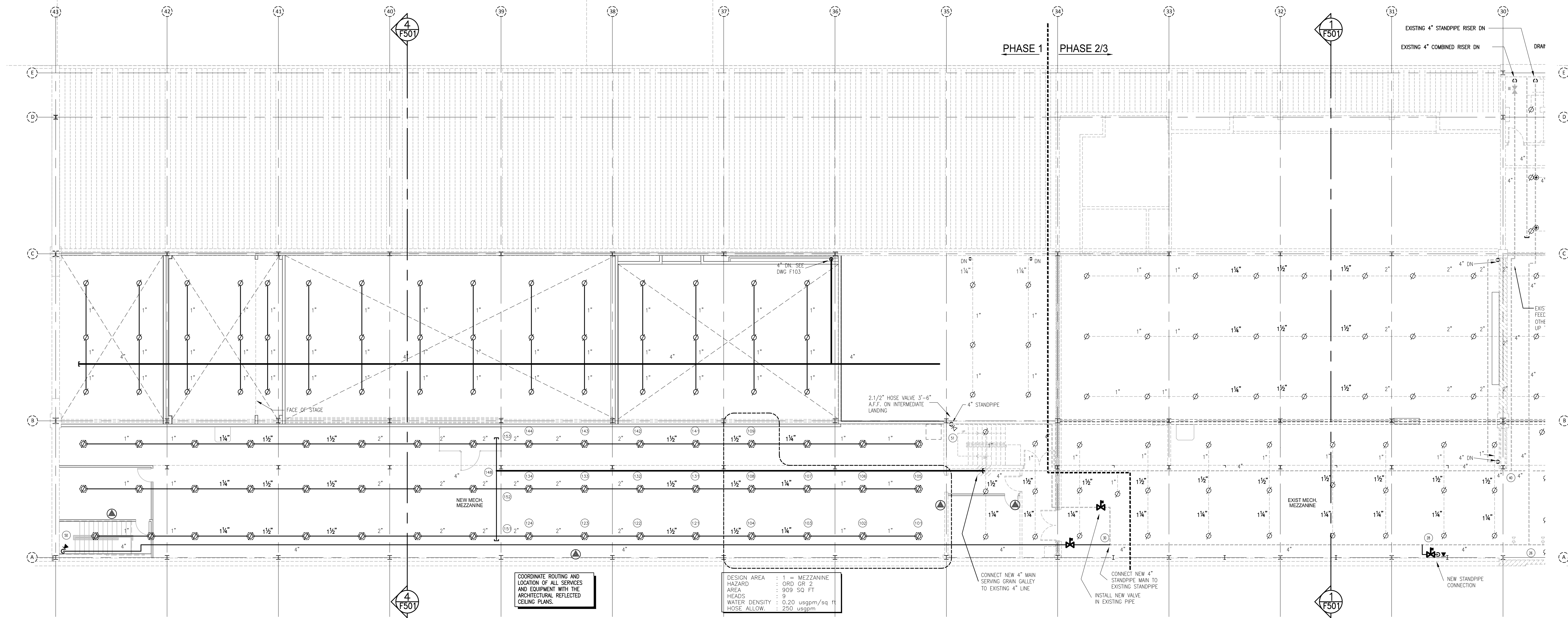
Luc Bouliane Architect Inc + David J Agro Architect Inc + Michael Grunsky Architect Inc  
 1259 Dundas Street West, Toronto, M6J 1X6 Tel: 416 300 0656  
**CANADIAN MUSEUM OF IMMIGRATION AT PIER 21**

project no: 13-005  
 scale: AS NOTED  
 drawn by: JAC  
 reviewed by: JSM  
 date: Jan. 15/2014

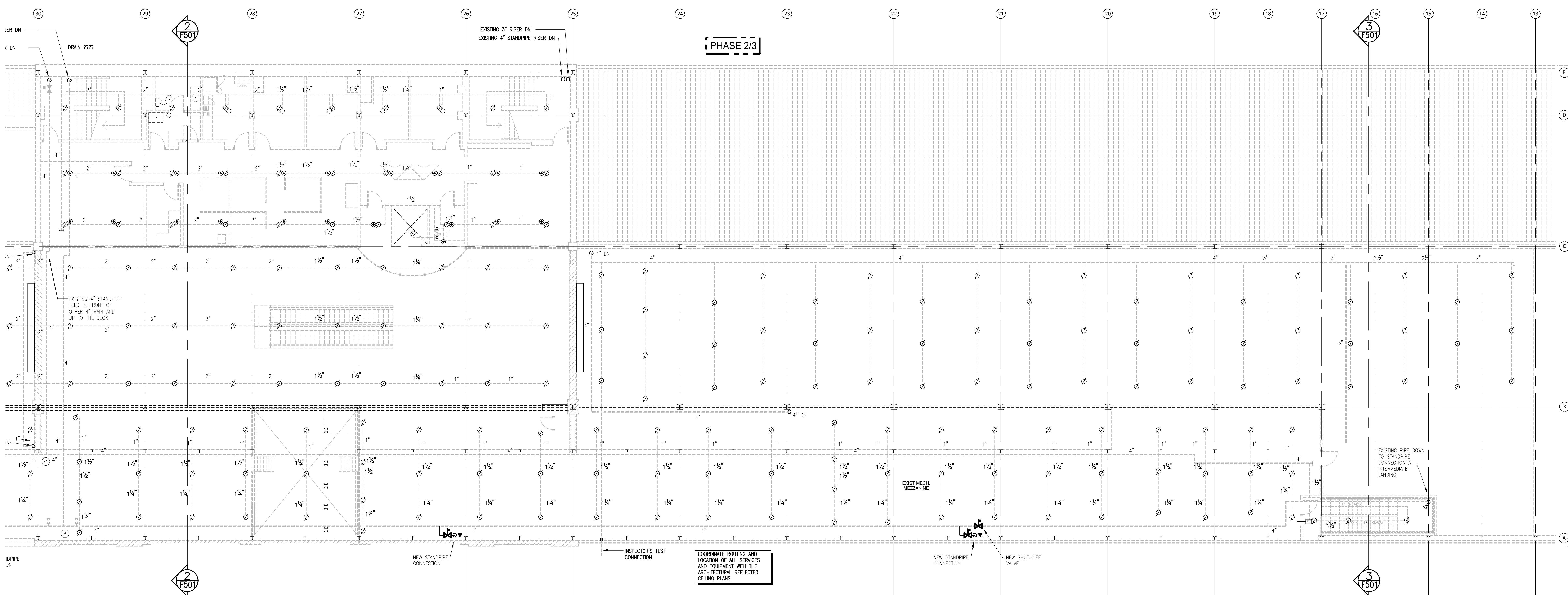
PIER 21  
 SPRINKLER RENOVATIONS  
 MEZZANINE - DEMOLITION

Drawing F104 - Sprinkler - Mezzanine - 02/05/2014.dwg, DWG, was plotted 14/07/10, at time 9:40:56 am

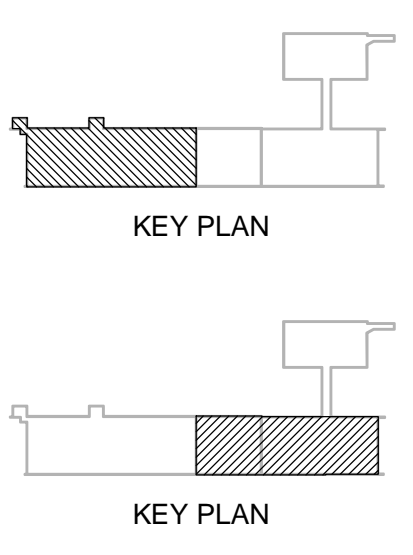




1 SPRINKLER RENOVATION PLAN - MEZZANINE SOUTH  
1/8"=1'-0"

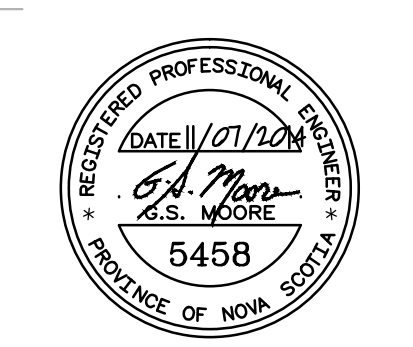


2 SPRINKLER RENOVATION PLAN - MEZZANINE NORTH  
1/8"=1'-0"



IMPERIAL SCALE DRAWING  
FIRST FLOOR ELEV. 00.00m

no.	Issued / Revised	date
1	Issued for Review	15 Jan 2014
2	Issued for Schematic	05 Feb 2014
3	Issued for Design Development	11 April 2014
4	Issued for Tender	13 June 2014
5	Issued for Tender	11 July 2014



F.C. O'Neill, Engineer & Assoc's. Limited  
 1100, 2nd Floor, 100 King Street West, Suite 200, Toronto, Ontario, M5X 1C5  
 3rd Floor, 100 King Street West, Suite 200, Toronto, Ontario, M5X 1C5  
 Tel: (416) 593-8877 Fax: (416) 593-8878



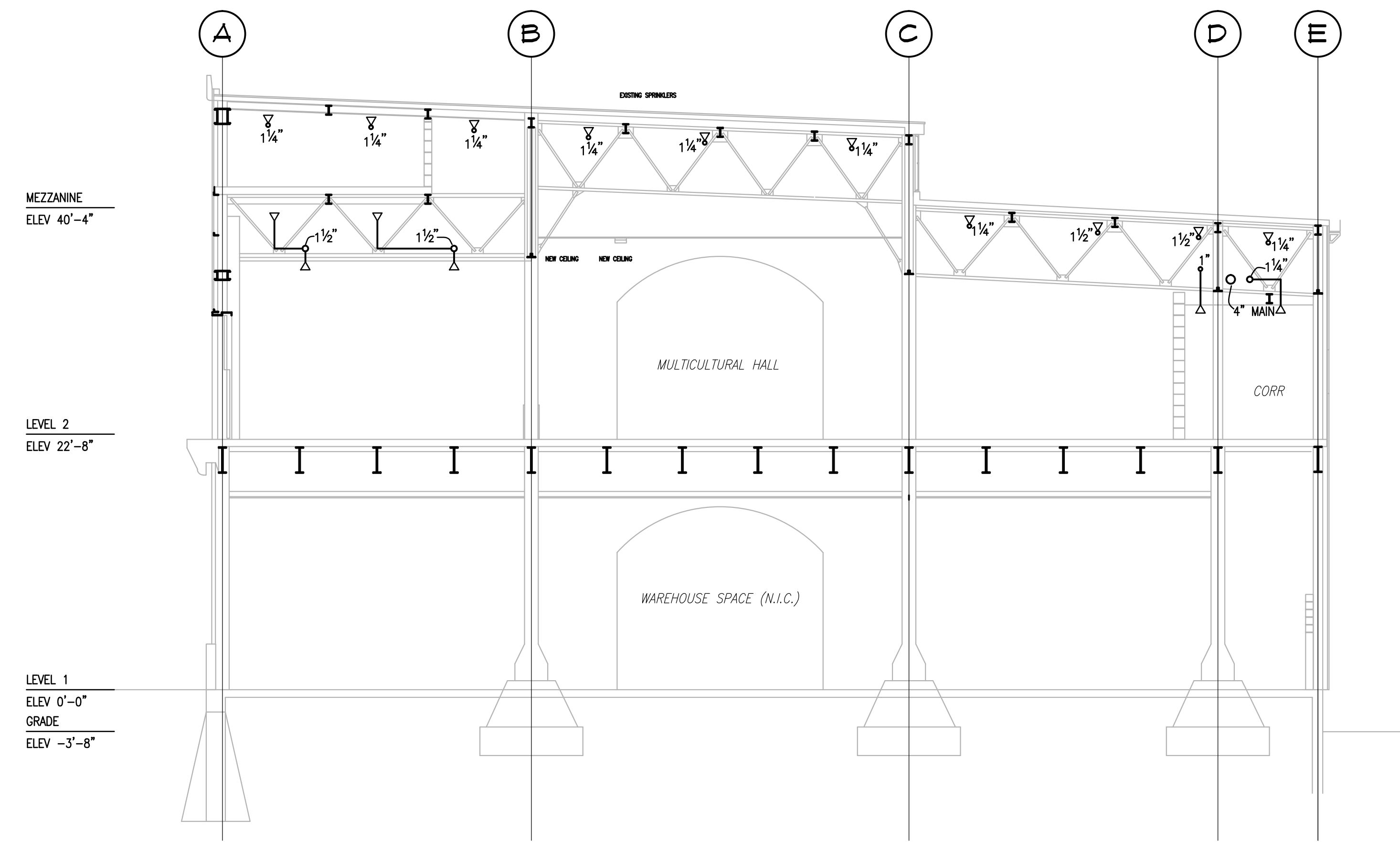
Luc Bouliane Architect Inc + David J Agro Architect Inc + Michael Grunsky Architect Inc  
 1259 Dundas Street West, Toronto, M6J 1X6 Tel: 416 300 0656

CANADIAN MUSEUM OF IMMIGRATION AT PIER 21

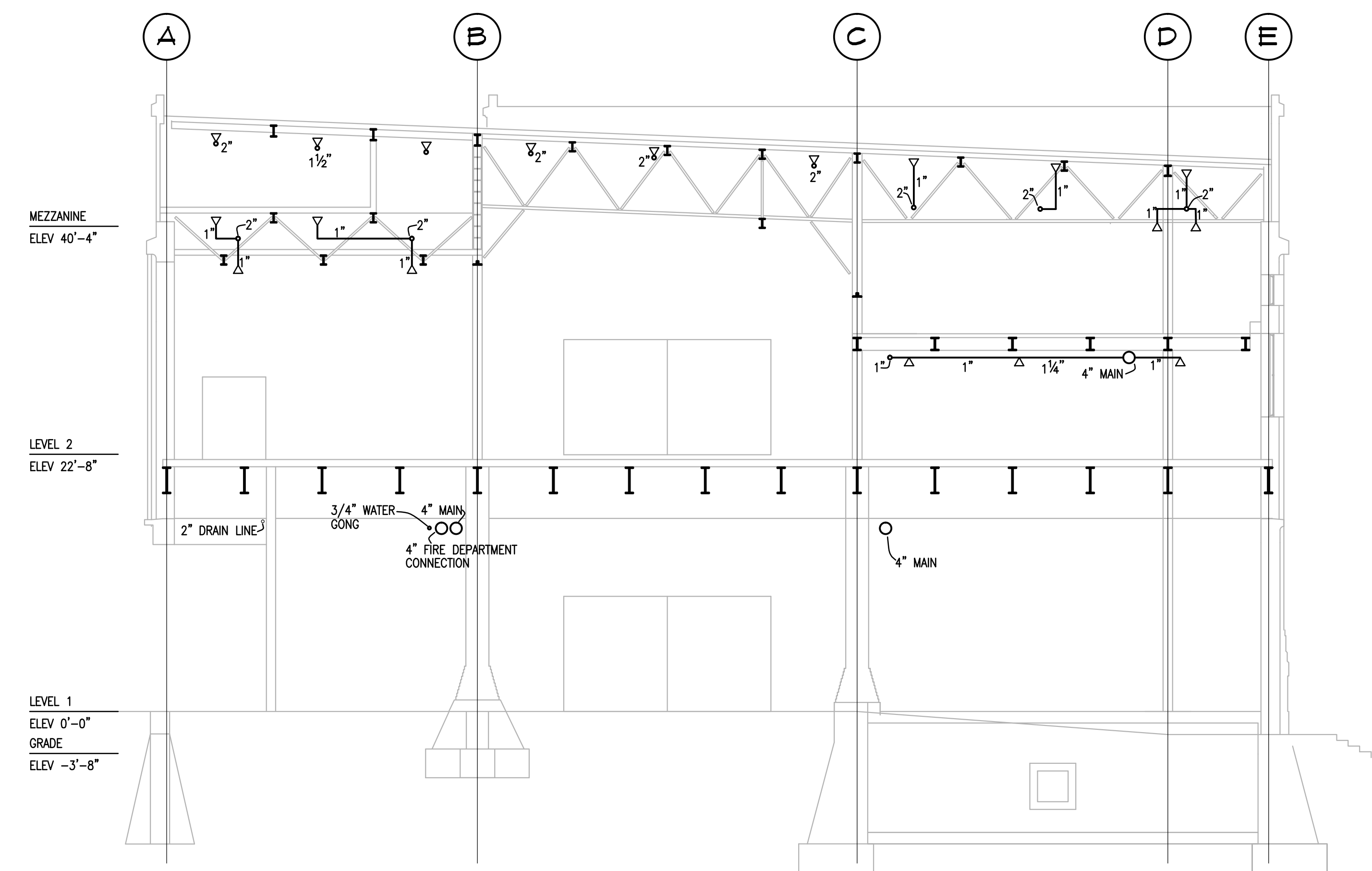
project no: 13-005  
 scale: AS NOTED  
 drawn by: JAC  
 checked by: JSM  
 date: Jan. 15/2014

PIER 21  
 SPRINKLER RENOVATIONS  
 MEZZANINE

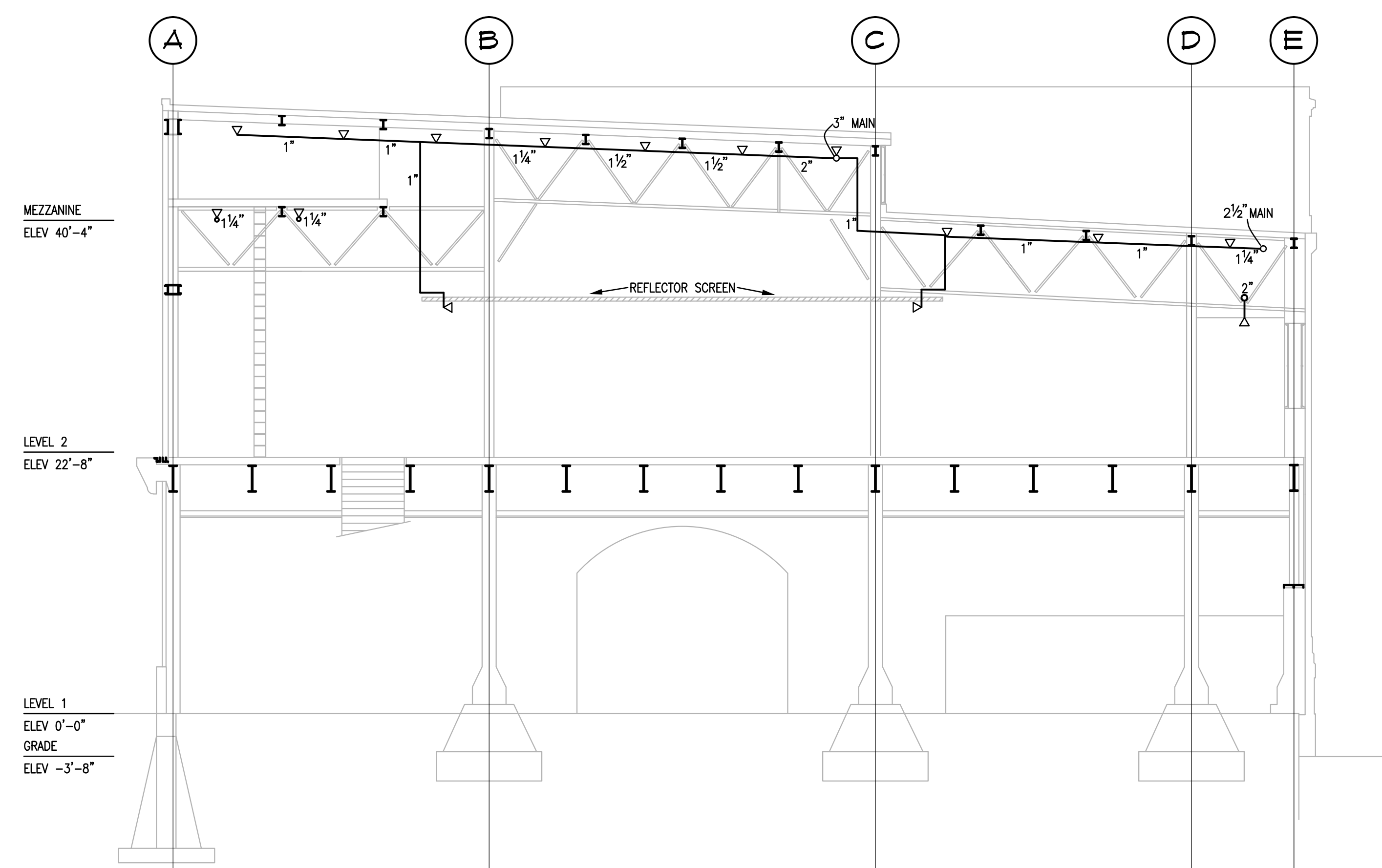




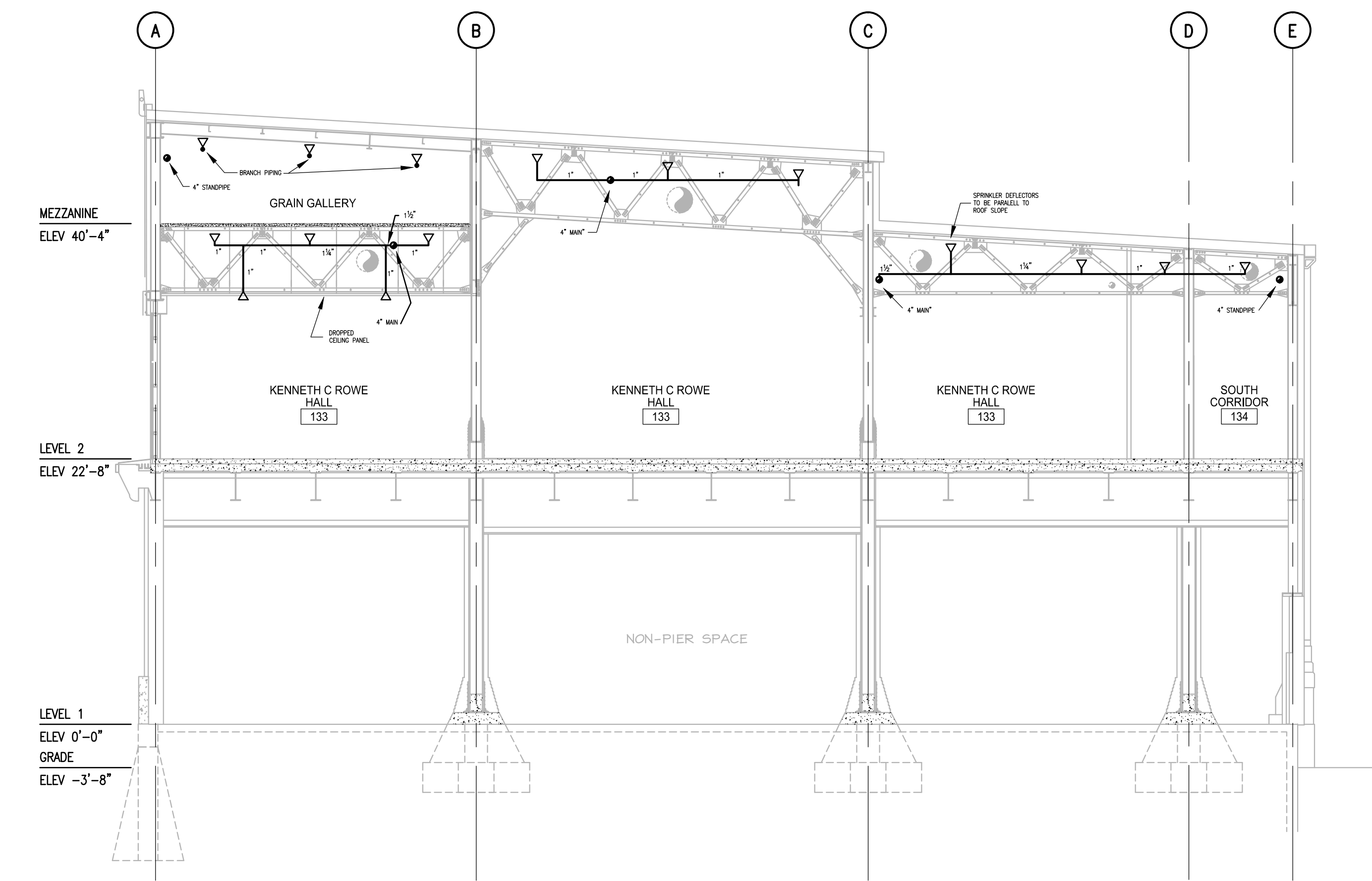
1 SECTION THRU SOUTH END (COL 32)  
F501 1/8"=1'-0"



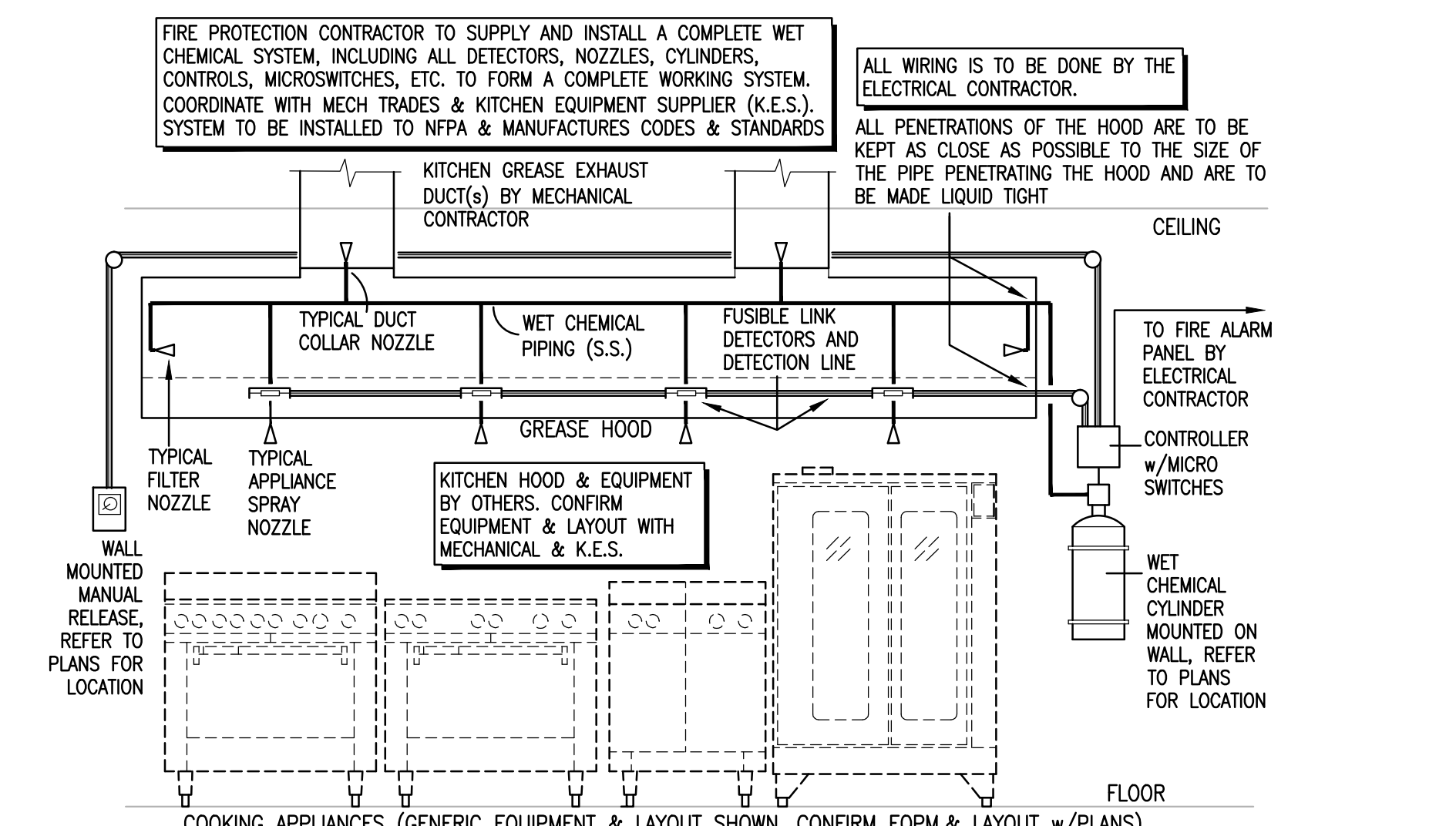
2 SECTION THRU CENTRAL BLOCK (COL 29)  
F501 1/8"=1'-0"



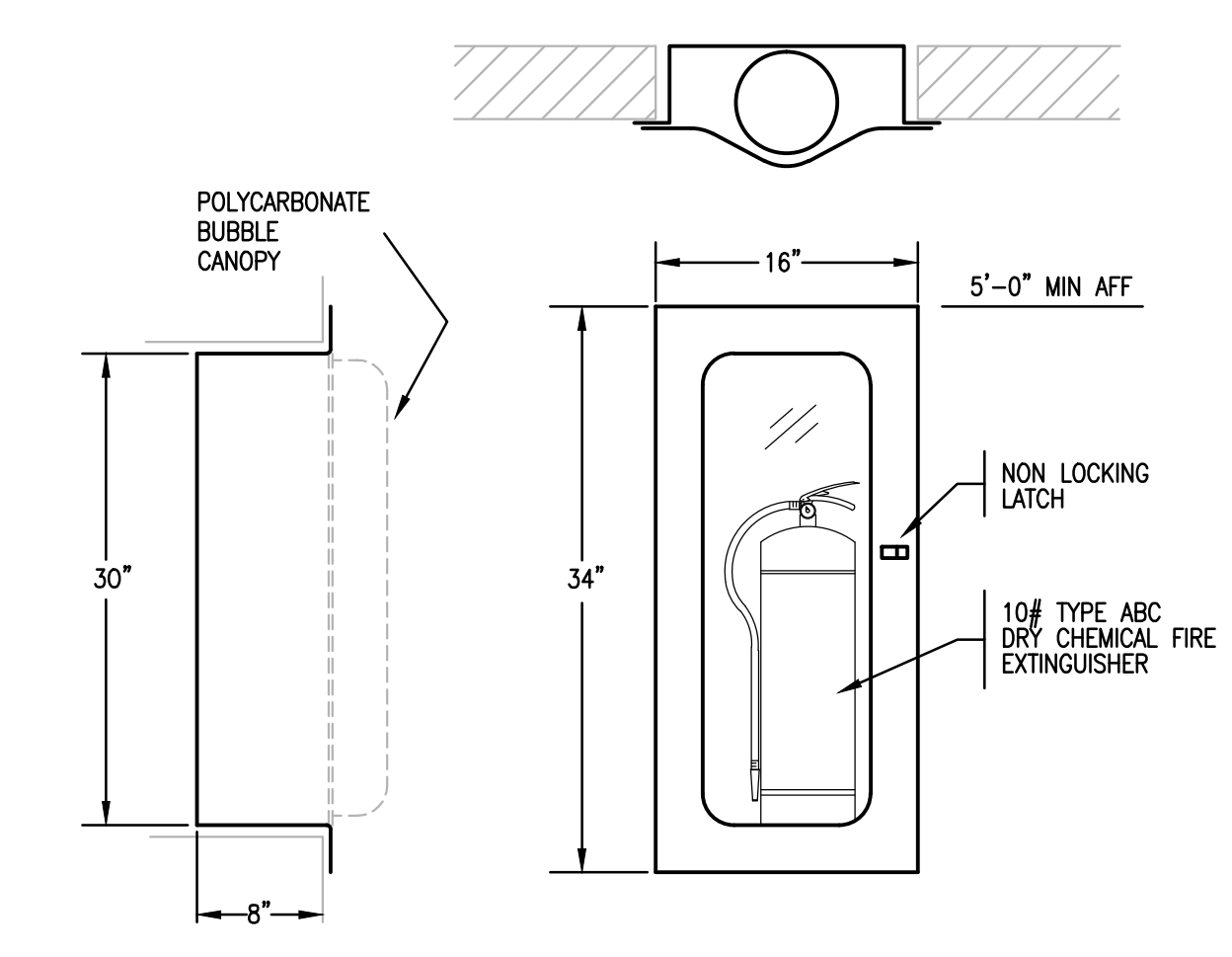
3 SECTION THRU NORTH END (COL 18)  
F501 1/8"=1'-0"



4 SECTION THRU SOUTH END (COL 40)  
F501 1/8"=1'-0"



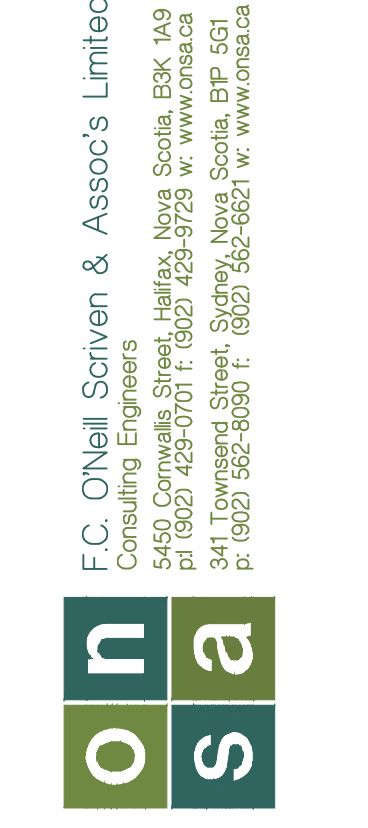
5 KITCHEN HOOD FIRE SUPPRESSION SYSTEM DETAIL  
F501 N.T.S.



6 FIRE HOSE CABINET, TYPE X  
F501 1" = 1'-0"

IMPERIAL SCALE DRAWING  
FIRST FLOOR ELEV. 00.00m

no.	Issued / Revised	date:
1	Issued for Review	15 Jan 2014
2	Issued for Schematic	05 Feb 2014
3	Issued for Design Development	11 April 2014
4	Issued for Tender	13 June 2014
5	Issued for Tender	11 July 2014



Luc Bouliane Architect Inc + David J Agro Architect Inc + Michael Grunsky Architect Inc  
1259 Dundas Street West, Toronto, M6J 1X6 Tel: 416.300.0656

CANADIAN MUSEUM OF IMMIGRATION AT PIER 21

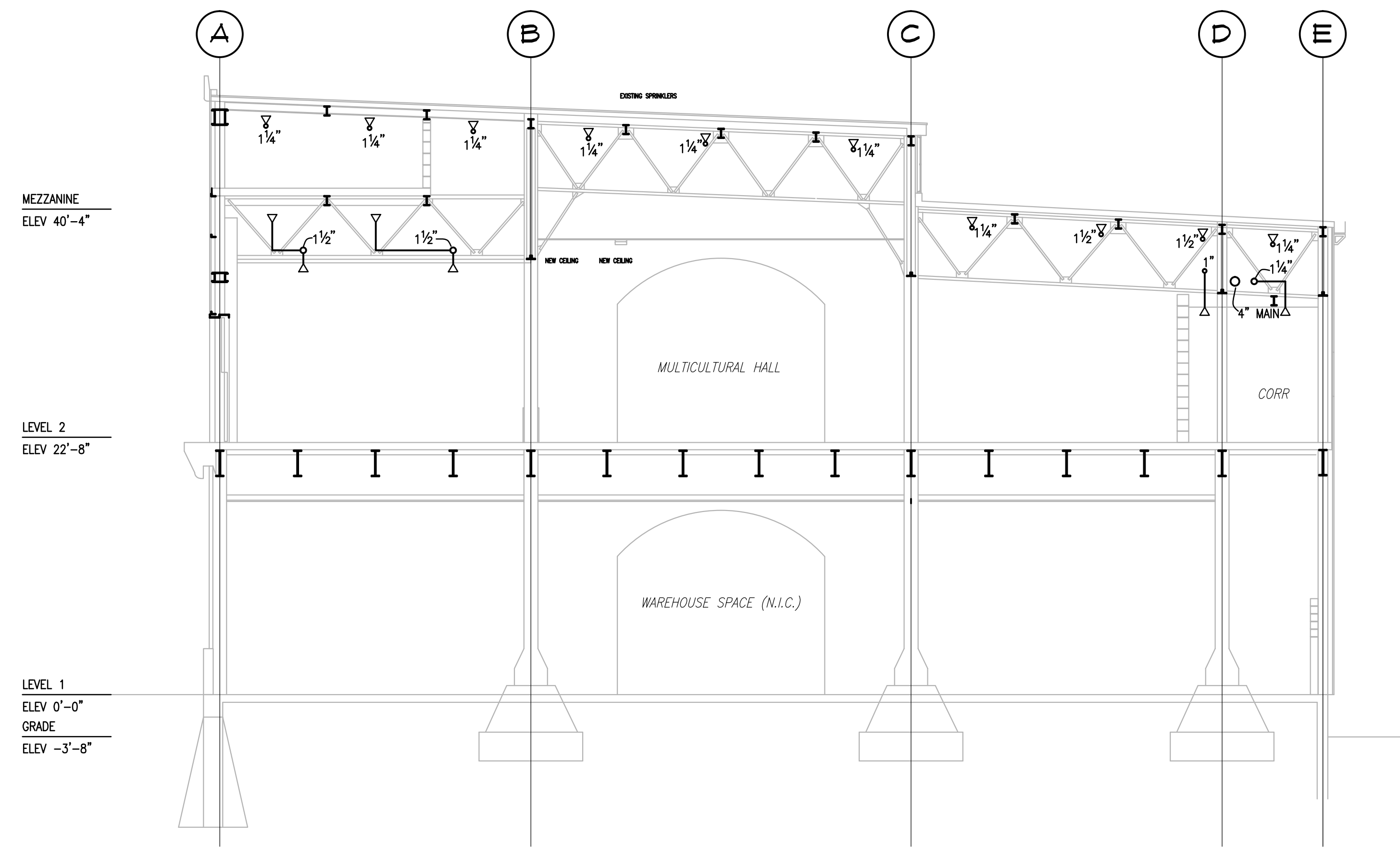
project no: 13-005  
scale: AS NOTED  
drawn by: JAC  
checked by: GSA  
date: Jan. 15/2014

PIER 21  
SPRINKLER DETAILS

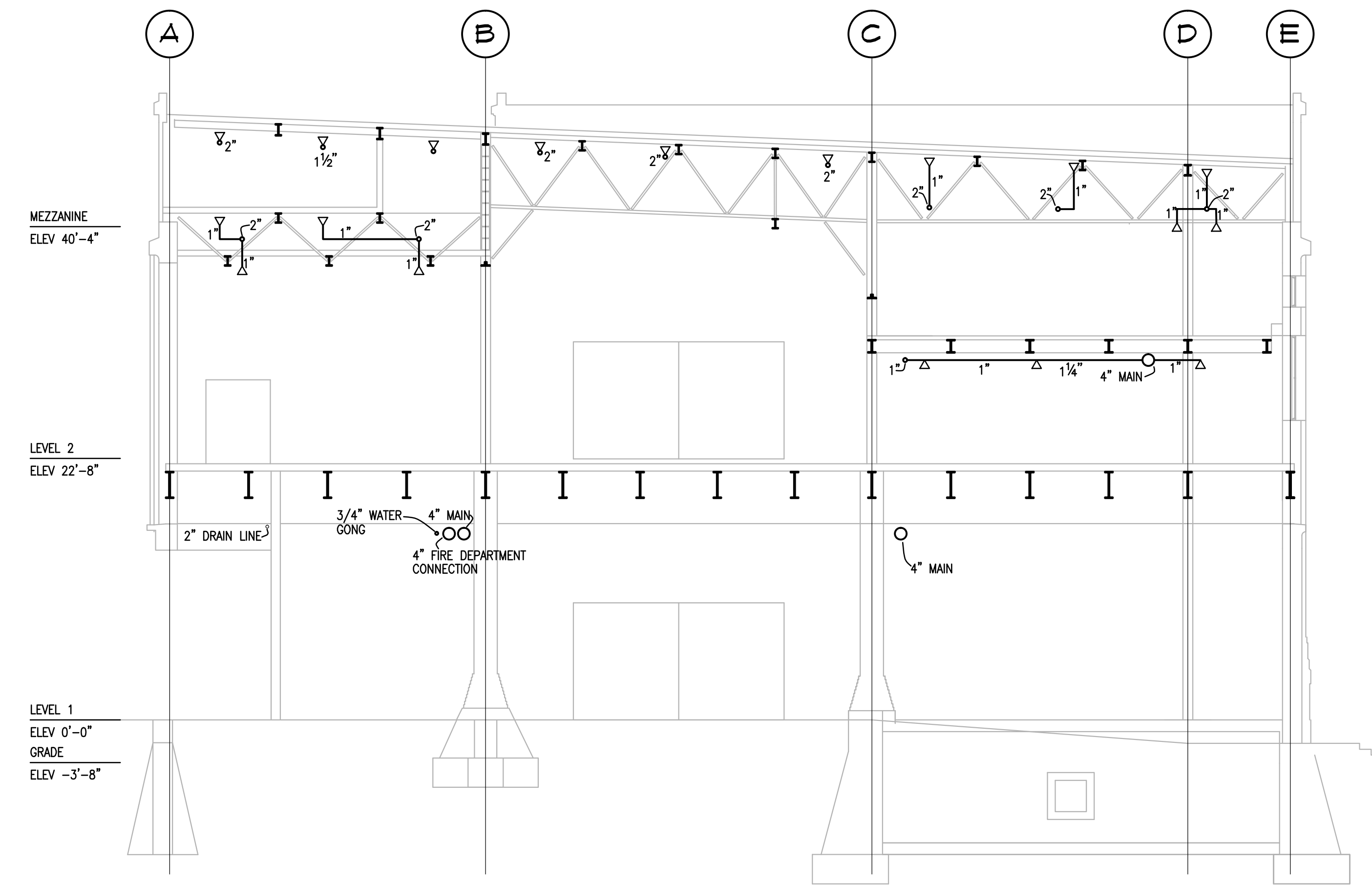
F501

Drawing: F501 - Sprinkler Details/Shop/PIE user: JAC/Date: 14/07/14, at time: 8:02:42am

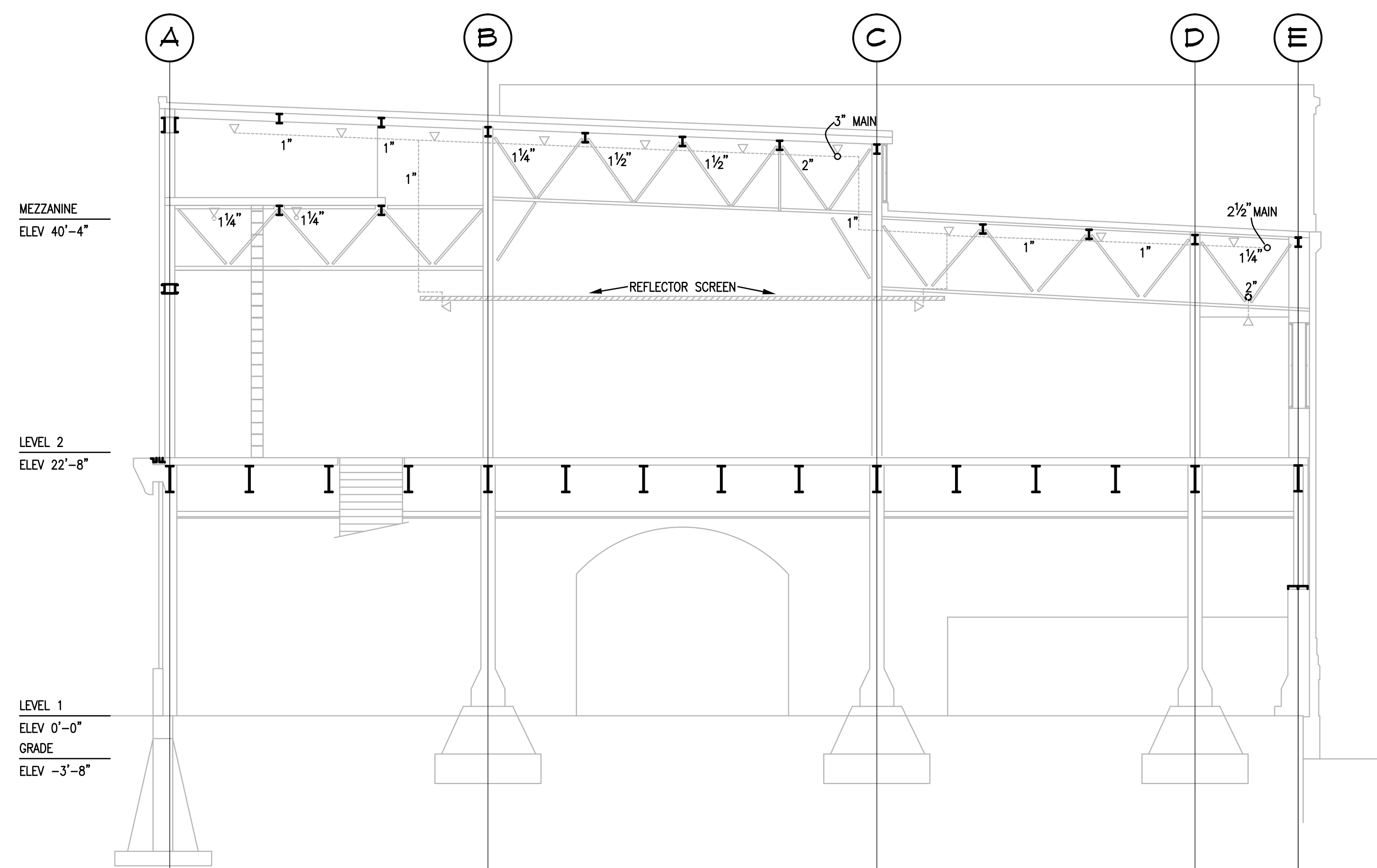




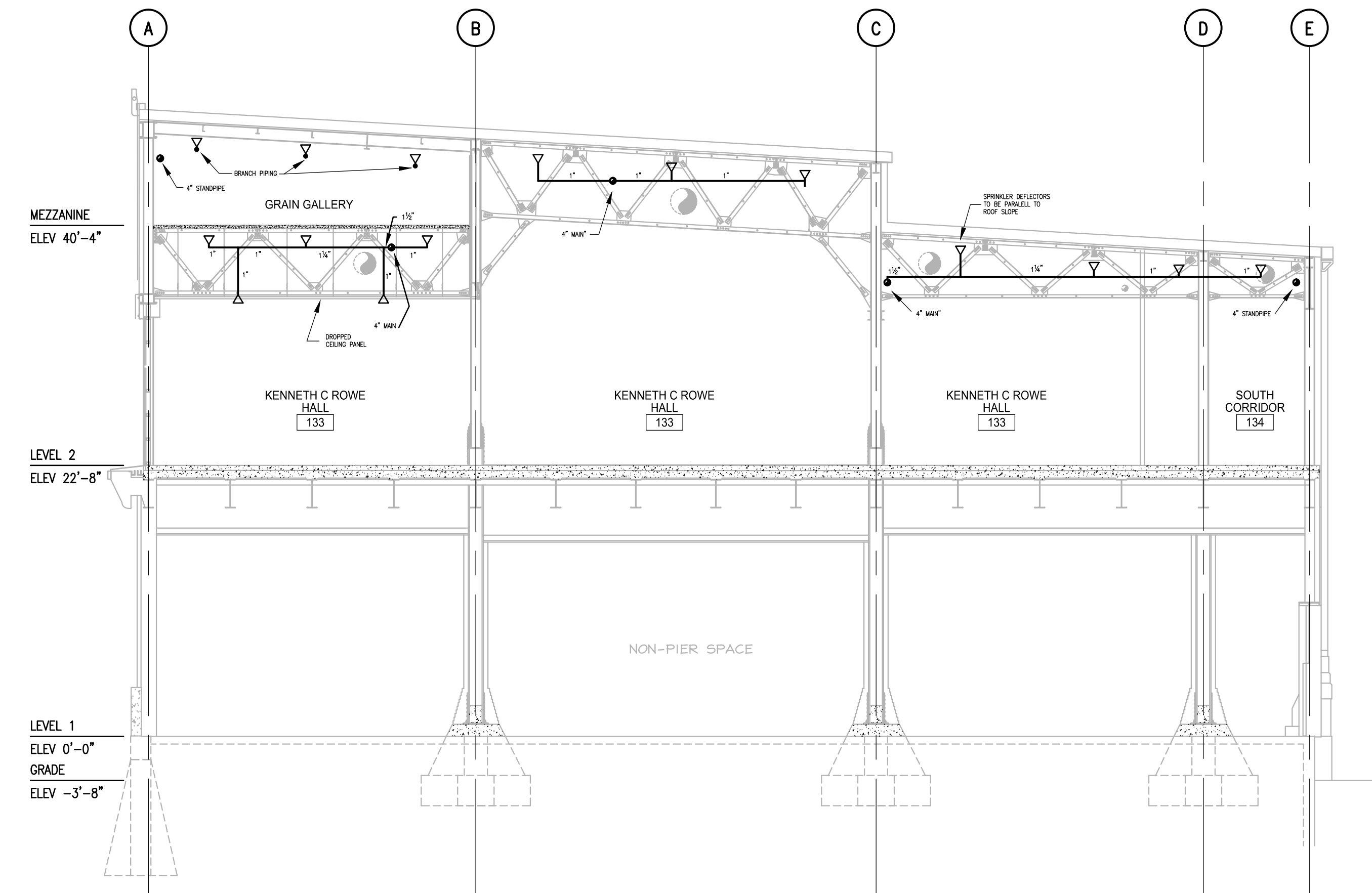
1 SECTION THRU SOUTH END (COL 32)  
F502 1/8"=1'-0"



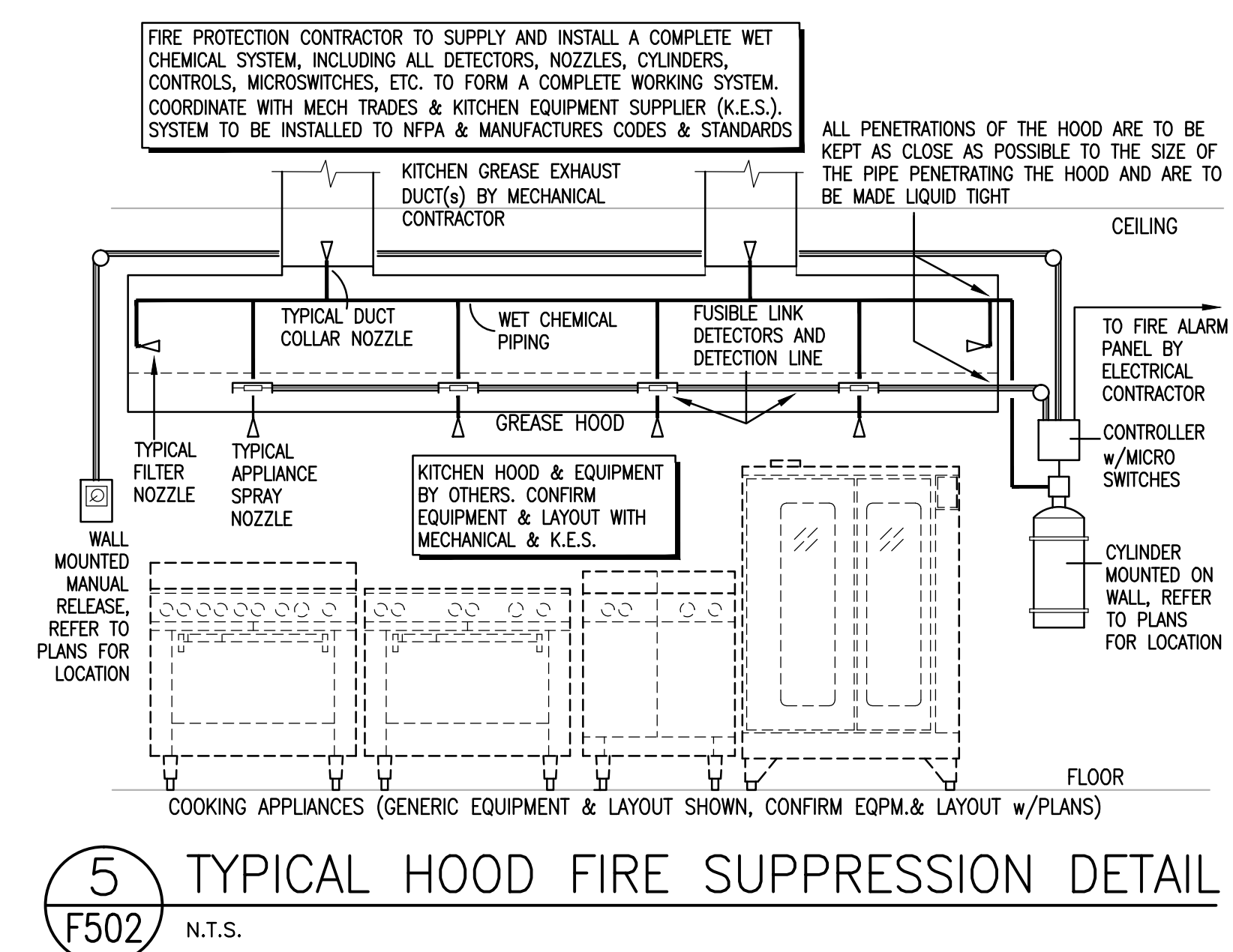
2 SECTION THRU CENTRAL BLOCK (COL 29)  
F502 1/8"=1'-0"



3 SECTION THRU NORTH END (COL 18)  
F502 1/8"=1'-0"



4 SECTION THRU SOUTH END (COL 40)  
F502 1/8"=1'-0"



5 TYPICAL HOOD FIRE SUPPRESSION DETAIL  
F502 N.T.S.

IMPERIAL SCALE DRAWING  
FIRST FLOOR ELEV. 00.00m

no.	issued / revised	date
1	issued for Review	15 Jan 2014
2	issued for Schematic	05 Feb 2014
3	issued for Design Development	11 April 2014
4	issued for Tender	13 June 2014
5	issued for Tender	11 July 2014

DATE: 10/12/14  
545B  
REGISTERED PROFESSIONAL ARCHITECT  
ONSA  
F.C. O'Neil, Gwynn & Assoc's Limited  
3490 DUNDAS STREET WEST, TORONTO, ONT. M6J 1X6  
341 DUNDAS STREET WEST, TORONTO, ONT. M5J 1X6  
P: 416 300 0656 F: 416 300 0657 W: www.onsa.com

Luc Bouliane Architect Inc + David J Agro Architect Inc + Michael Grunsky Architect Inc  
1259 Dundas Street West, Toronto, M6J 1X6 Tel: 416 300 0656

CANADIAN MUSEUM OF IMMIGRATION AT PIER 21

project no: 13-005  
scale: AS NOTED  
drawn by: JAC  
checked by: JSM  
date: Jan. 15/2014

Drawing: F502 - Sprinkler Detail/Shop/PMC user: jheller 14/07/14, at time: 8:40:26 am











**SEQUENCE**

THE FOLLOWING IS THE EXISTING SEQUENCE OF OPERATION (THIS SHALL BE VERIFIED BY CONTROLS & EQUIPMENT TO DETERMINE IF MODIFICATIONS HAVE BEEN IMPLEMENTED).

THE CHILLED WATER SYSTEM IS COMPOSED OF THREE (3) ROOFTOP AIR-COOLED CHILLERS, CENTRAL VARIABLE SPEED DISTRIBUTION PUMPS, AND 2-WAY MODULATING CONTROL VALVES AT THE AIR HANDLING UNIT COILS.

THE ANNEX AIR HANDLING UNIT IS EQUIPPED WITH A DEDICATED CIRCULATOR PUMP AND 3-WAY BYPASS VALVE.

ALTERNATE LEAD-LAG PUMPS EVERY 300 HOURS OF OPERATION. IF AFTER VERIFICATION, THE LEAD PUMP STATUS FALLS WITHIN A MINUTE OF BEING ENERGIZED, THE BAS WILL SHUT OFF THIS PUMP, RESTART THE OTHER PUMP AND SEND AN ALARM.

IF A PUMP STATUS FAILS DURING OPERATION THEN THE BAS WILL SHUT OFF THE PUMP, START THE LAG PUMP AND SEND AN ALARM.

VARIABLE SPEED CHILLED WATER PUMPS (PA09A & PA09B) OPERATE LEAD/LAG. PUMP SPEED VARIES ACCORDING TO THE LOAD AT THE CHILLED WATER COILS.

IF OUTSIDE AIR TEMPERATURE IS ABOVE 14°C AND THERE IS A CALL FOR MECHANICAL COOLING FROM ONE OF THE AIR HANDLING SYSTEMS, THE LEAD CHILLER AND ASSOCIATED PUMP AND THE MAIN DISTRIBUTION PUMPS (PA09A & PA09B) ARE ENABLED.

THE PRIMARY CHILLED WATER PUMP AND THE LEAD DISTRIBUTION PUMP IS ENABLED AND OPERATES FOR 1 MINUTE PRIOR TO ENABLING THE CHILLER.

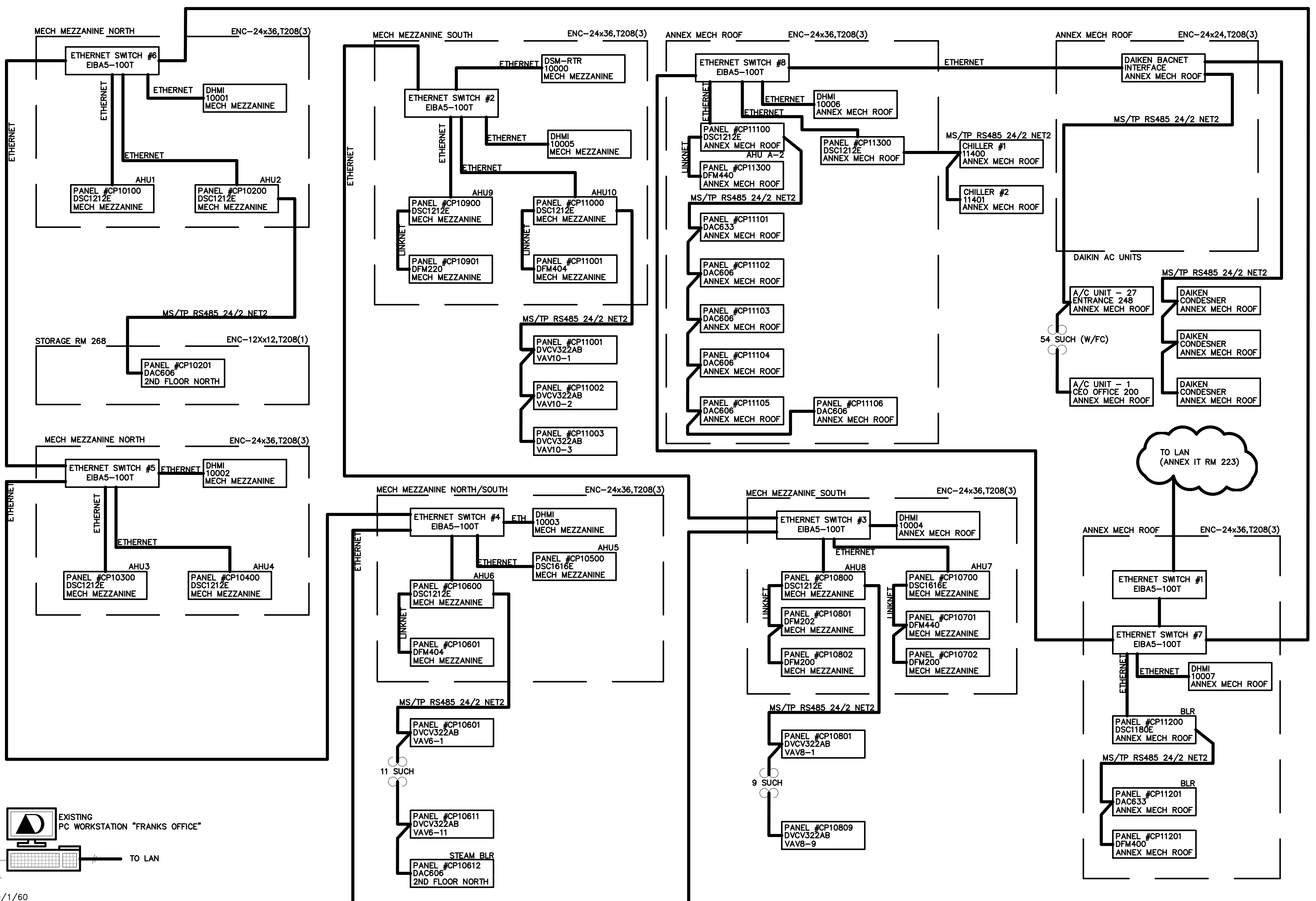
THE CHILLERS WILL OPERATE TO GENERATE A CHILLED WATER SUPPLY TEMPERATURE OF 6°C. THE CHILLED WATER SUPPLY TEMPERATURE WILL BE RESET BY THE BAS SYSTEM TO MEET THE TEMPERATURE REQUIREMENT OF THE SYSTEM HAVING THE GREATEST LOAD.

INTERNAL CHILLER CONTROLS WILL STAGE THE COMPRESSORS AS REQUIRED TO MEET THE BAS CHILLED WATER SUPPLY SETPOINT.

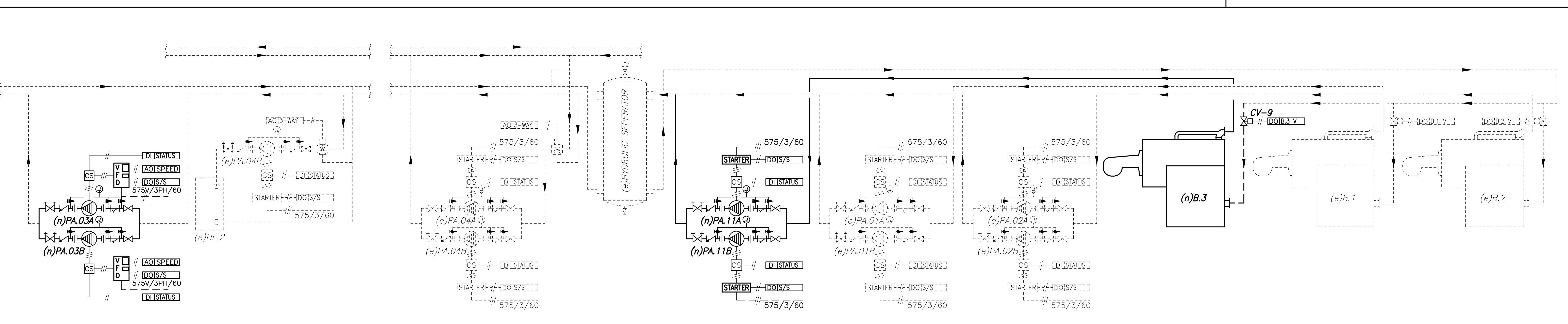
IF THE COMMON CHILLED WATER SUPPLY SETPOINT RISES MORE THAN 2°C ABOVE SETPOINT FOR A PERIOD OF 5 MINUTES, THE BAS WILL ENABLE THE 2ND CHILLER. IF THE LOAD CONTINUES TO RISE AFTER THE 2ND CHILLER HAS BEEN OPERATING FOR A PERIOD OF TIME, THE 3RD CHILLER AND ASSOCIATED PUMP WILL BE COMMANDED TO START. THE CHILLERS SHALL BE ALTERNATED EVERY 300 HOURS OF OPERATION.

**LEGEND**

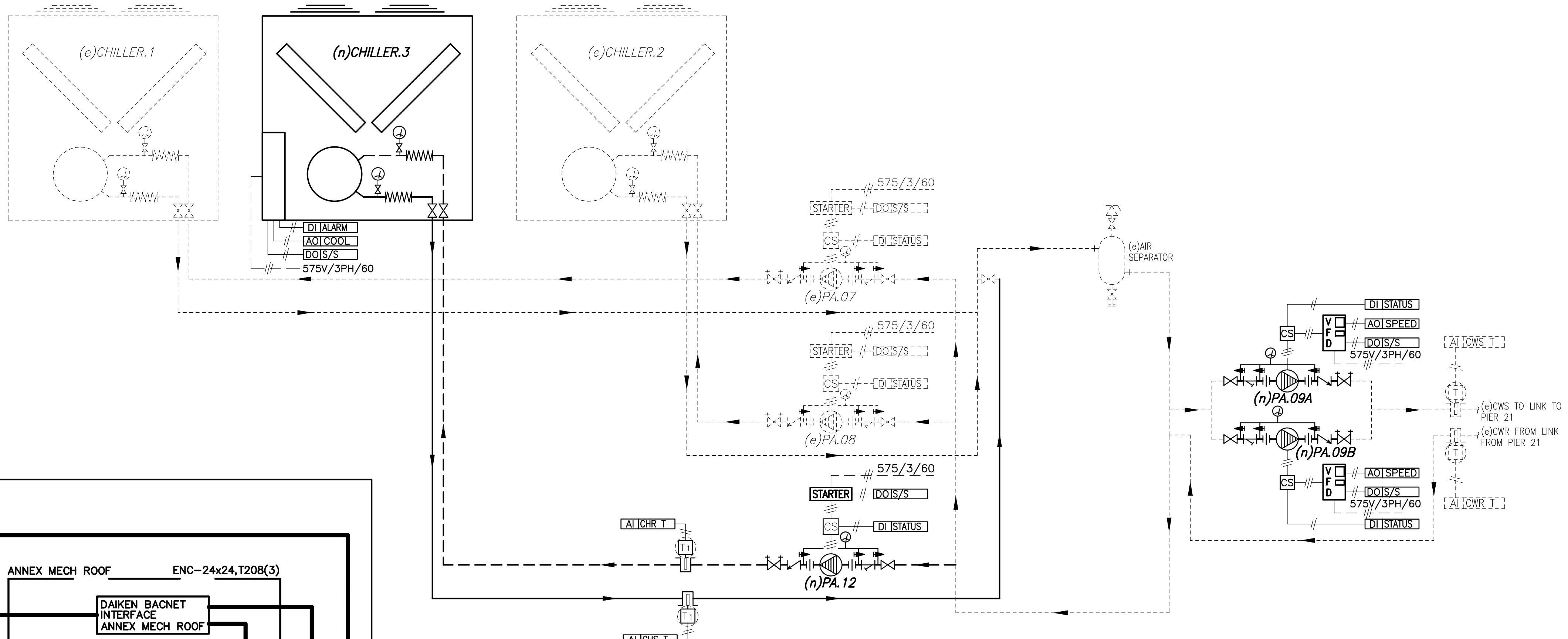
TAG	SYMBOL	CONTROL POINT	POWER DESCRIPTION
AI	[Symbol]	- E LV	CONTROL POINT (ANALOG IN) PROVIDED BY CONTROLS CONTRACTOR
AO	[Symbol]	- E LV	CONTROL POINT (ANALOG OUT) PROVIDED BY CONTROLS CONTRACTOR
DI	[Symbol]	- E LV	CONTROL POINT (DIGITAL IN) PROVIDED BY CONTROLS CONTRACTOR
DO	[Symbol]	- E LV	CONTROL POINT (DIGITAL OUT) PROVIDED BY CONTROLS CONTRACTOR
-	-	- E	ELECTRICAL WIRING (2 WIRE) PROVIDED BY CONTROLS CONTRACTOR
-	-	- E	ELECTRICAL WIRING (3 WIRE) PROVIDED BY ELECTRICAL CONTRACTOR
-	-	- E	ELECTRICAL CURRENT SENSOR PROVIDED BY CONTROLS CONTRACTOR
-	-	- E	ELECTRICAL CURRENT SENSOR PROVIDED BY CONTROLS CONTRACTOR
VT	[Symbol]	S/S	TEMP E LV (EXISTING) CHILLED WATER TEMPERATURE SENSOR PROVIDED BY CONTROLS CONTRACTOR
VFD	[Symbol]	S/S	E - VARIABLE FREQUENCY DRIVE PROVIDED BY CONTROLS CONTRACTOR
STARTER	[Symbol]	S/S	E - ELECTRICAL MOTOR STARTER INTEGRAL TO FAN COIL UNIT



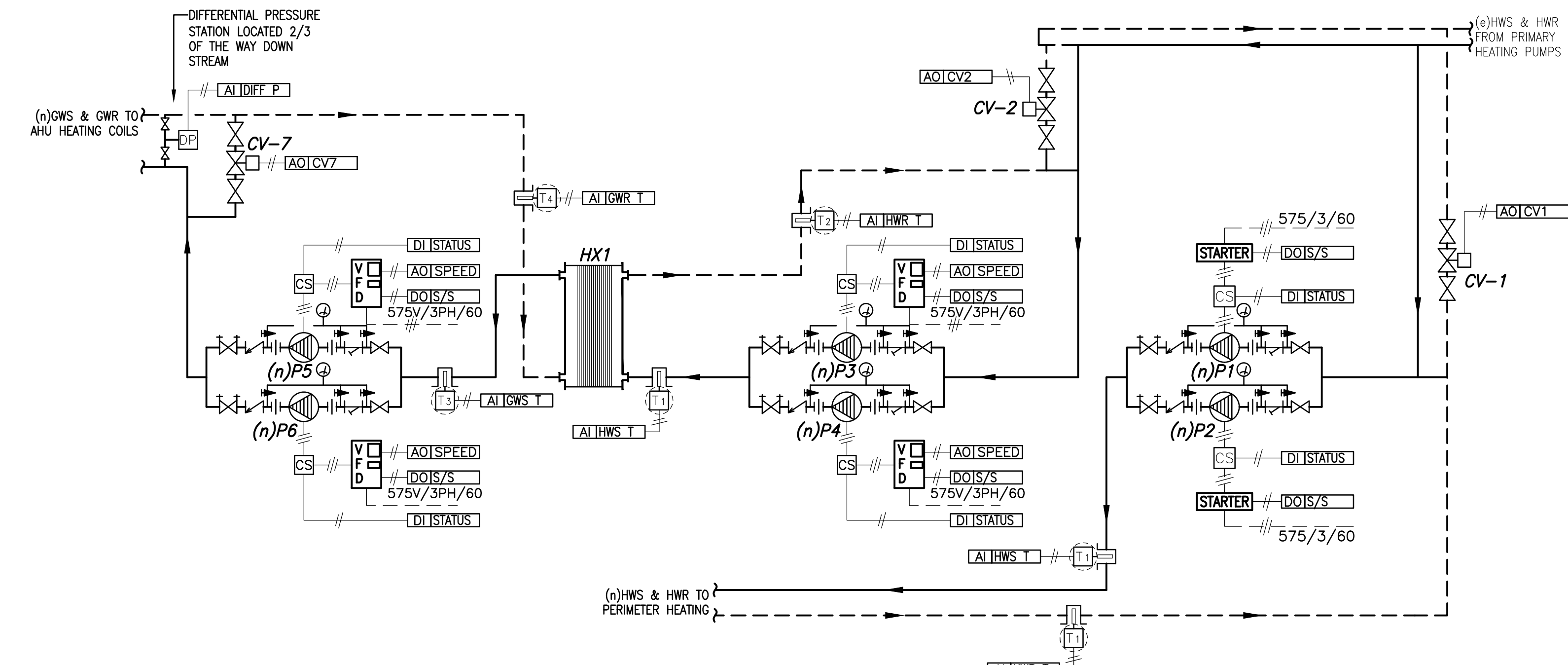
**2 DDC SYSTEM ARCHITECTURE**  
C503 NTS



**4 HOT WATER HEATING SYSTEM CONTROL SCHEMATIC**  
C503 NTS



**1 CHILLED WATER SYSTEM CONTROL SCHEMATIC**  
C503 NTS



**3 HVAC CIRCULATOR PUMP CONTROL SCHEMATIC**  
C503 NTS

**LEGEND**

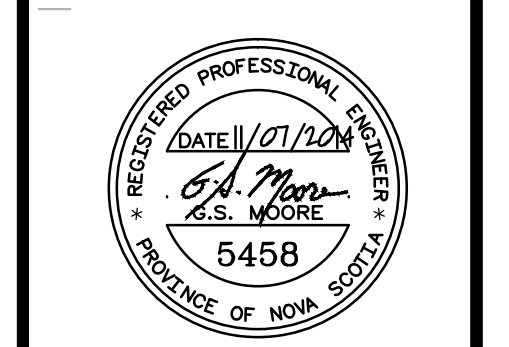
TAG	SYMBOL	CONTROL POINT	POWER DESCRIPTION
AI	[Symbol]	- E LV	CONTROL POINT (ANALOG IN) PROVIDED BY CONTROLS CONTRACTOR
AO	[Symbol]	- E LV	CONTROL POINT (ANALOG OUT) PROVIDED BY CONTROLS CONTRACTOR
DI	[Symbol]	- E LV	CONTROL POINT (DIGITAL IN) PROVIDED BY CONTROLS CONTRACTOR
DO	[Symbol]	- E LV	CONTROL POINT (DIGITAL OUT) PROVIDED BY CONTROLS CONTRACTOR
-	-	- E	ELECTRICAL WIRING (2 WIRE) PROVIDED BY CONTROLS CONTRACTOR
-	-	- E	ELECTRICAL WIRING (3 WIRE) PROVIDED BY ELECTRICAL CONTRACTOR
-	-	- E	ELECTRICAL CURRENT SENSOR PROVIDED BY CONTROLS CONTRACTOR
-	-	- E	ELECTRICAL CURRENT SENSOR PROVIDED BY CONTROLS CONTRACTOR
VT	[Symbol]	S/S	TEMP E LV (EXISTING) CHILLED WATER TEMPERATURE SENSOR PROVIDED BY CONTROLS CONTRACTOR
VFD	[Symbol]	S/S	E - VARIABLE FREQUENCY DRIVE PROVIDED BY CONTROLS CONTRACTOR
STARTER	[Symbol]	S/S	E - ELECTRICAL MOTOR STARTER INTEGRAL TO FAN COIL UNIT

**CONTROLS NOTES:**

1. CONTROLS CONTRACTOR SHALL PROVIDE (SUPPLY AND INSTALL) THE CONTROLS WIRING c/w 1/2" EMT CONDUIT FOR THE FOLLOWING:
  1. WALK-IN COOLER
  2. WALK-IN FREEZER
  3. 2 1/2 TON SPLIT SYSTEM A/C UNIT (AC-1)
  4. 8 TON SPLIT SYSTEM AC UNIT
  5. 50 TON ROOF TOP CONDENSER UNIT SERVING AHU-12
  6. NEW 33.5 TON AIR-COOLED CHILLERS ON THE ANNEX BUILDING ROOF TOP
  7. NEW HOT WATER BOILER #3 IN THE ANNEX BUILDING MECHANICAL ROOM
2. ALL CONTROLS WIRING AND CONDUIT SHALL BE COORDINATED WITH THE ARCHITECTURAL ROOF.
3. REFER TO DRAWING H502 FOR CONTROL VALVE SCHEDULE.

IMPERIAL SCALE DRAWING  
FIRST FLOOR ELEV. 00.00m

no.	Issued / Revised	date
1	Issued for Review	15 Jan 2014
2	Issued for Schematic	05 Feb 2014
3	Issued for Design Development	11 April 2014
4	Issued for Tender	13 June 2014
5	Issued for Tender	11 July 2014



F.C. O'Neill, Engineer & Associate's Limited  
3160 DUNDAS STREET WEST, TORONTO, ONT. M5T 1G6  
311 TORONTO ST. TORONTO, ONT. M5E 1B5  
TEL: (416) 593-8877 FAX: (416) 593-8878  
www.ona.ca

Luc Bouliane Architect Inc + David J Agro Architect Inc + Michael Grunsky Architect Inc  
1259 Dundas Street West, Toronto, M6J 1X6 Tel: 416.300.0656

**CANADIAN MUSEUM OF IMMIGRATION AT PIER 21**

project no: 13-005  
scale: AS NOTED  
drawn by: TOM  
checked by: TOM  
date: Jan. 15/2014

PIER 21  
CONTROL SCHEMATICS

C503